



US00D905654S

(12) **United States Design Patent**
Tani

(10) **Patent No.:** **US D905,654 S**

(45) **Date of Patent:** **** Dec. 22, 2020**

(54) **UNSOLICITED CALL BLOCKING DEVICE**

(71) Applicant: **Panasonic Intellectual Property Management Co., Ltd., Osaka (JP)**

(72) Inventor: **Atsushi Tani, Kyoto (JP)**

(73) Assignee: **Panasonic Intellectual Property Management Co., Ltd., Osaka (JP)**

(**) Term: **15 Years**

(21) Appl. No.: **29/670,656**

(22) Filed: **Nov. 19, 2018**

(51) **LOC (12) Cl.** **14-03**

(52) **U.S. Cl.**
USPC **D14/141.3**

(58) **Field of Classification Search**
USPC D14/140, 140.7, 141.1, 141.3, 142, 240, D14/245, 256, 496, 299, 358, 433, 462, D14/471, 388; D13/123, 133, 137.2, 147, D13/154, 157; D10/46, 49, 75, 104.1, D10/106.1, 106.95, 116.1; D24/165, 185, D24/186
CPC H04M 1/57; H04M 1/571; H04M 1/573; H04M 1/663

See application file for complete search history.

(56) **References Cited**

U.S. PATENT DOCUMENTS

D206,005 S *	10/1966	Perkins et al.	D10/75
D216,984 S *	3/1970	Stanford et al.	D10/75
D217,988 S *	7/1970	Casterlin	D10/46
D274,648 S *	7/1984	Swanson	D10/75
D321,561 S *	11/1991	Elkerbout	D24/165
D335,129 S *	4/1993	Theisen	D14/140
D340,916 S *	11/1993	Iimura	D13/162
D349,501 S *	8/1994	Fan	D14/141.3
D349,502 S *	8/1994	Fan	D14/141.3
D353,631 S *	12/1994	Dudley	D21/329
D363,282 S *	10/1995	Wicks	D14/141.1

5,515,044 A *	5/1996	Glatt	H03K 17/9625 341/20
D371,198 S *	6/1996	Savage	D13/168
D372,718 S *	8/1996	Biasotti	D14/140
D373,361 S *	9/1996	Biasotti	D14/141.3
D381,325 S *	7/1997	McMahan	D14/388
D383,467 S *	9/1997	Johansson	D14/130

(Continued)

FOREIGN PATENT DOCUMENTS

EM	001289649-0001	8/2011
EM	001289649-0002	8/2011
EM	005261781-0001	8/2018

OTHER PUBLICATIONS

Amazon, obtained from the internet at URL: https://www.amazon.com/s/ref=w_bl_hsx_s_ce_web_0?ie=UTF8&search-alias=aps&field-keywords=MCHEETA> no date provided, 1 page.

Primary Examiner — Marie D. Fast Horse

(74) *Attorney, Agent, or Firm* — Brinks Gilson & Lione

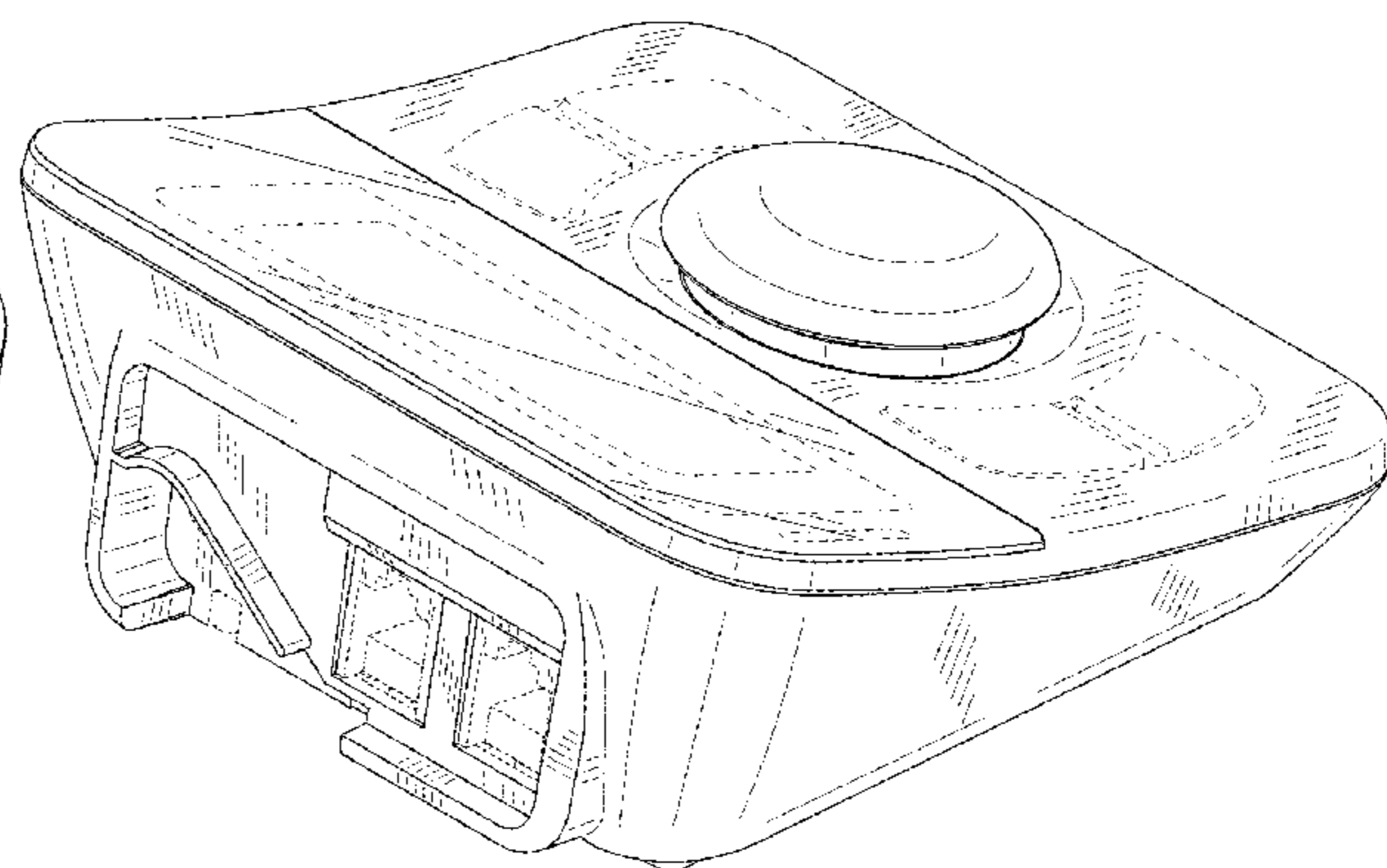
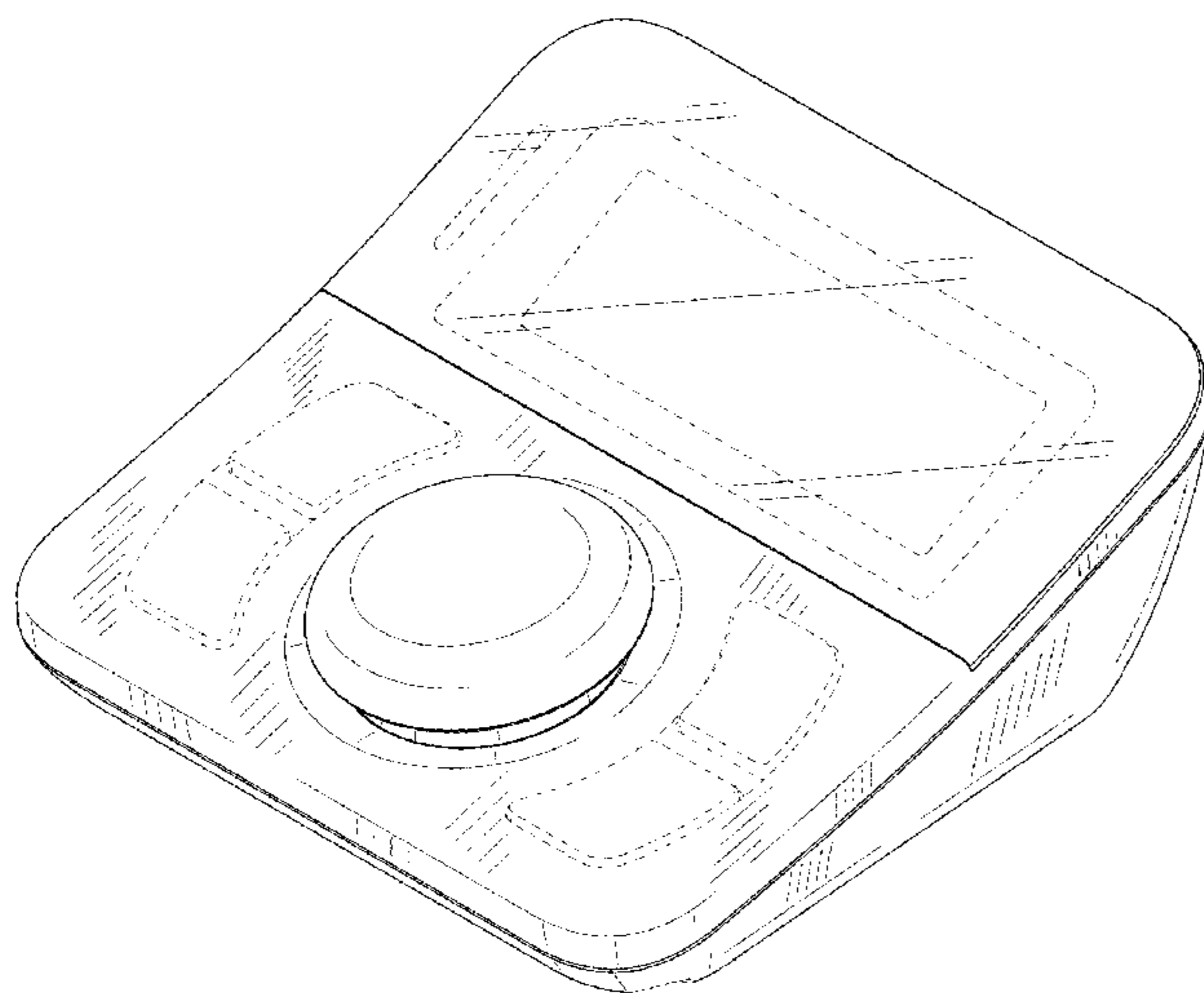
(57) **CLAIM**

I claim the ornamental design for an unsolicited call blocking device, as shown and described.

DESCRIPTION

FIG. 1 is a front perspective view of an unsolicited call blocking device of the present invention; FIG. 2 is a rear perspective view of thereof; FIG. 3 is a front view thereof; FIG. 4 is a rear view thereof; FIG. 5 is a first side view thereof, the opposite side being a mirror image; FIG. 6 is a top view thereof; and, FIG. 7 is a bottom view thereof. The broken lines show parts of the unsolicited call blocking device that represent unclaimed subject matter and form no part of the claimed design.

1 Claim, 7 Drawing Sheets



(56)

References Cited

U.S. PATENT DOCUMENTS

D412,909 S * 8/1999 Wang D10/15
 D418,842 S * 1/2000 Shindo D14/141.3
 D420,009 S * 2/2000 Dunn D14/141.3
 D420,673 S * 2/2000 Shen D14/141.3
 D423,514 S * 4/2000 Shindo D14/240
 D436,919 S * 1/2001 Wakefield D13/110
 D445,110 S * 7/2001 MacLeod D14/433
 D445,190 S * 7/2001 Byler D24/165
 D464,338 S * 10/2002 Ivy, Jr. D14/141.3
 D488,149 S * 4/2004 James D14/141.3
 D489,722 S * 5/2004 Matuschek D14/388
 D490,516 S * 5/2004 Takahashi D24/107
 D496,104 S * 9/2004 Eda D24/165
 D541,941 S * 5/2007 Nakanishi D24/165
 D548,839 S * 8/2007 Kobayakawa D24/165
 D562,457 S * 2/2008 Ferber D24/165
 D569,978 S * 5/2008 Eda D24/165
 D574,497 S * 8/2008 Kitamura D24/165
 D577,440 S * 9/2008 Ferber D24/165
 D583,948 S * 12/2008 Hachimaru D24/165
 D606,659 S * 12/2009 Kiani D24/186
 D609,343 S * 2/2010 Omaki D24/165
 D609,344 S * 2/2010 Hara D24/165

D618,351 S * 6/2010 Hara D24/165
 D641,881 S * 7/2011 Inami D24/165
 D642,274 S * 7/2011 Ogihara D24/165
 D651,319 S * 12/2011 Hara D24/165
 D651,716 S * 1/2012 Shibata D24/165
 D665,501 S * 8/2012 Shibata D24/165
 D683,028 S * 5/2013 Hara D24/165
 D683,034 S * 5/2013 Shigeno D24/186
 D691,724 S * 10/2013 Noguchi D24/165
 D717,439 S * 11/2014 Noguchi D24/165
 D717,440 S * 11/2014 Shibata D24/165
 D739,938 S * 9/2015 Schempp D24/165
 D743,035 S * 11/2015 Uozumi D24/165
 D751,205 S * 3/2016 Tan D24/158
 D791,952 S * 7/2017 Florescu D24/169
 D794,596 S * 8/2017 Holm D14/140
 D801,538 S * 10/2017 Rondoni D24/186
 D802,134 S * 11/2017 Geißler D24/144
 D802,768 S * 11/2017 Rider D24/165
 D828,574 S * 9/2018 Fujiwara D24/216
 D862,702 S * 10/2019 Nishiyama D24/165
 D866,796 S * 11/2019 Mellett D24/234
 D870,714 S * 12/2019 Bradley D14/240
 D887,559 S * 6/2020 Esfandiari D24/186
 2001/0055376 A1 * 12/2001 Karas H04M 1/663
 379/142.02

* cited by examiner

FIG. 1

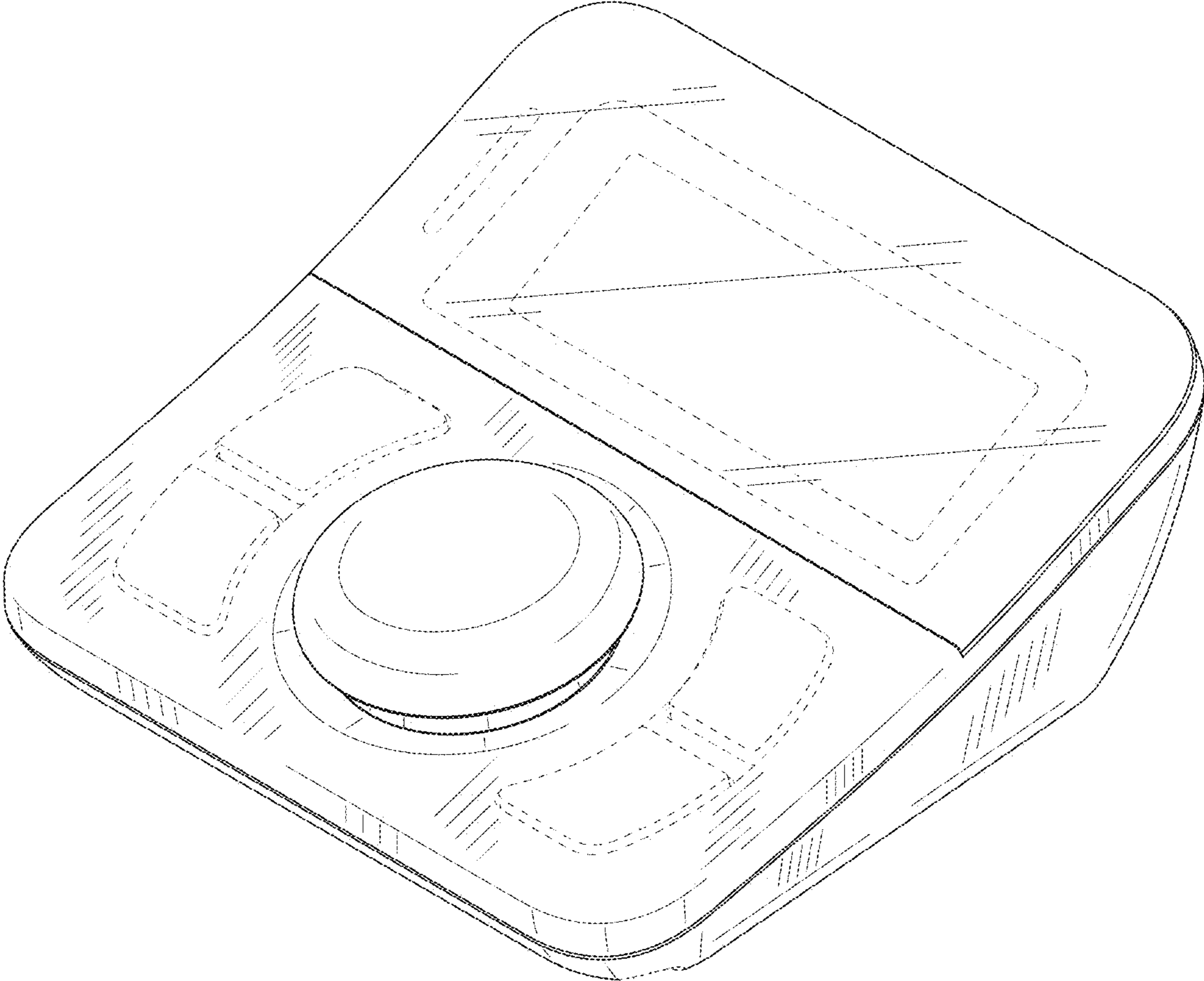


FIG. 2

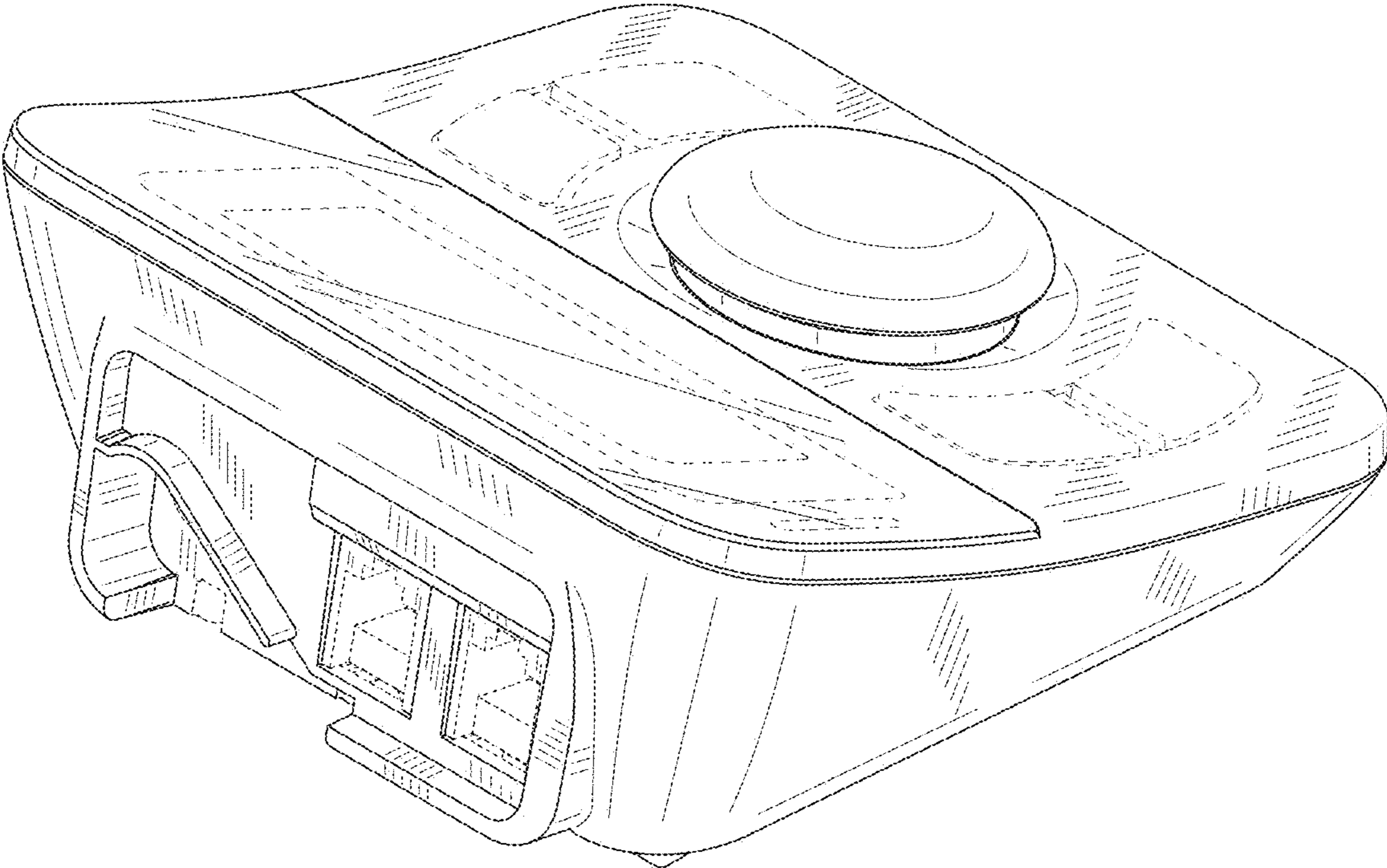


FIG. 3

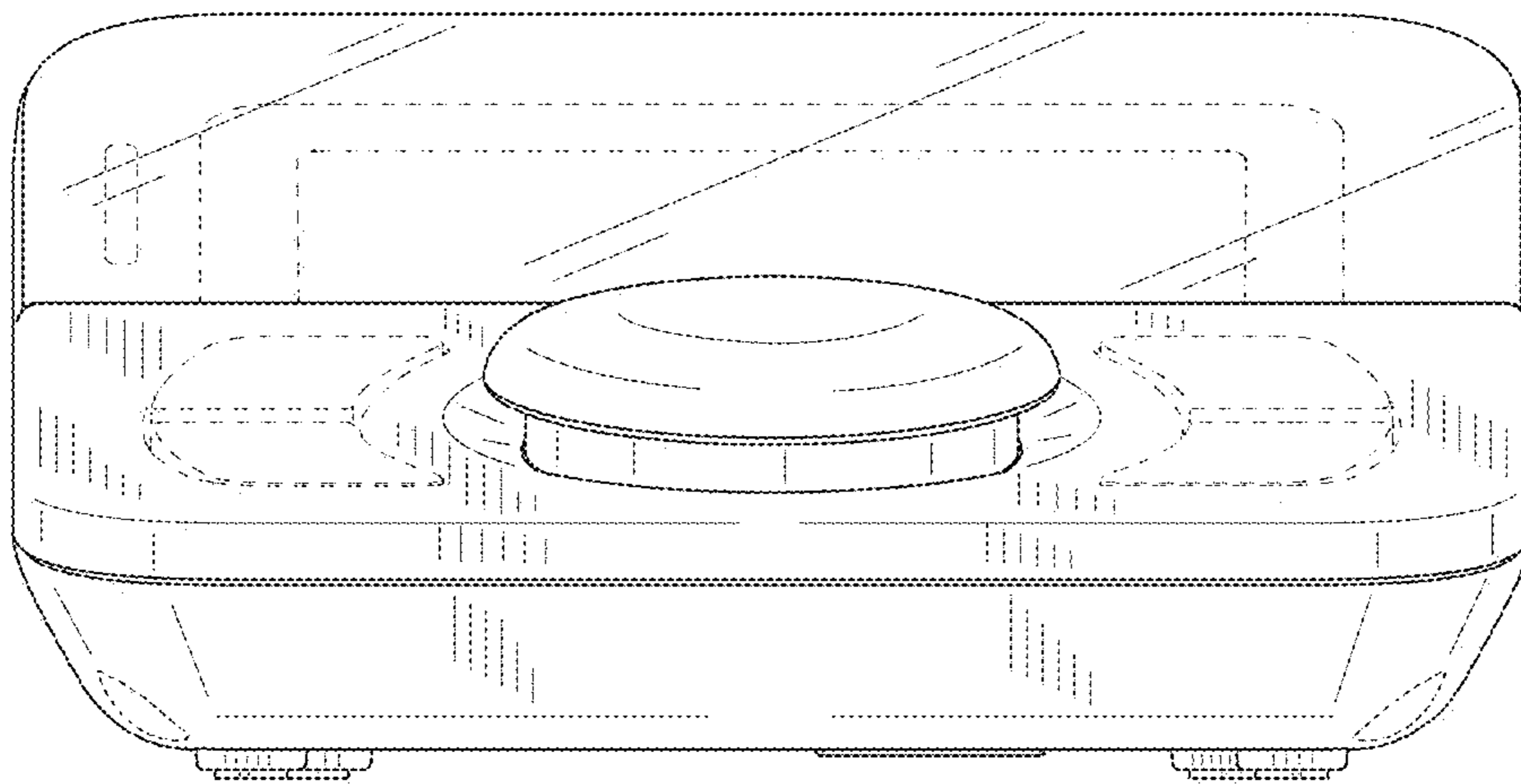


FIG. 4

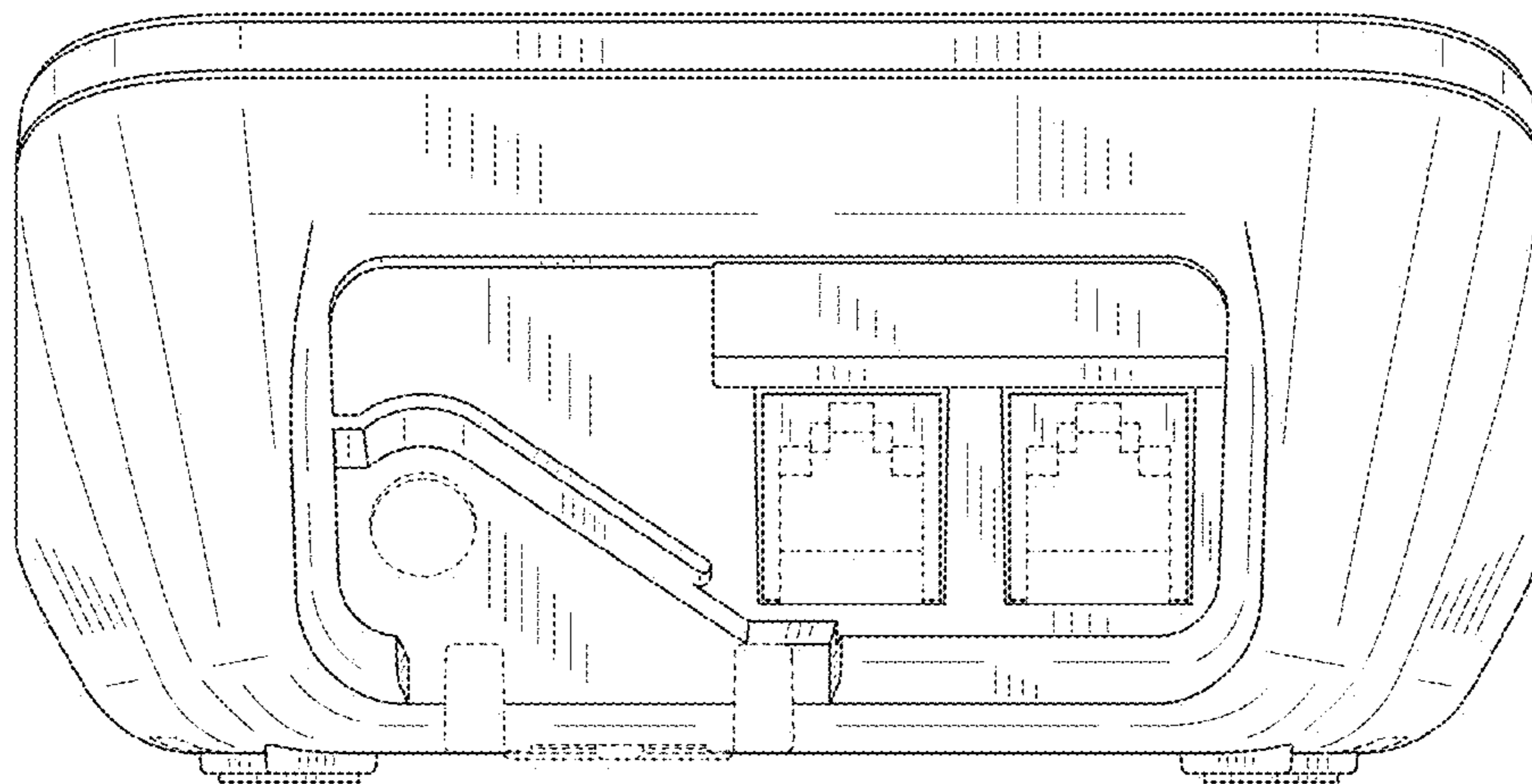


FIG. 5

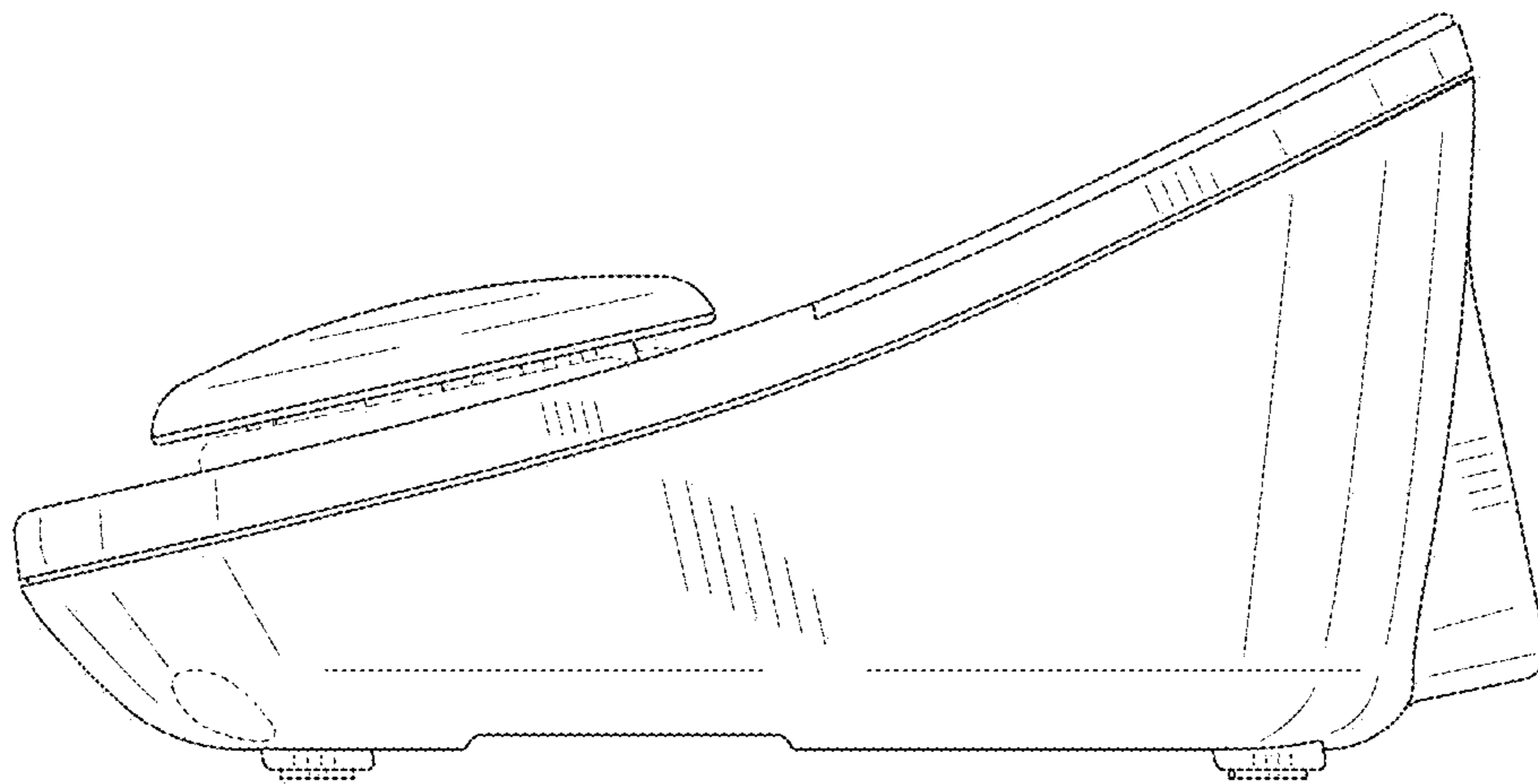


FIG. 6

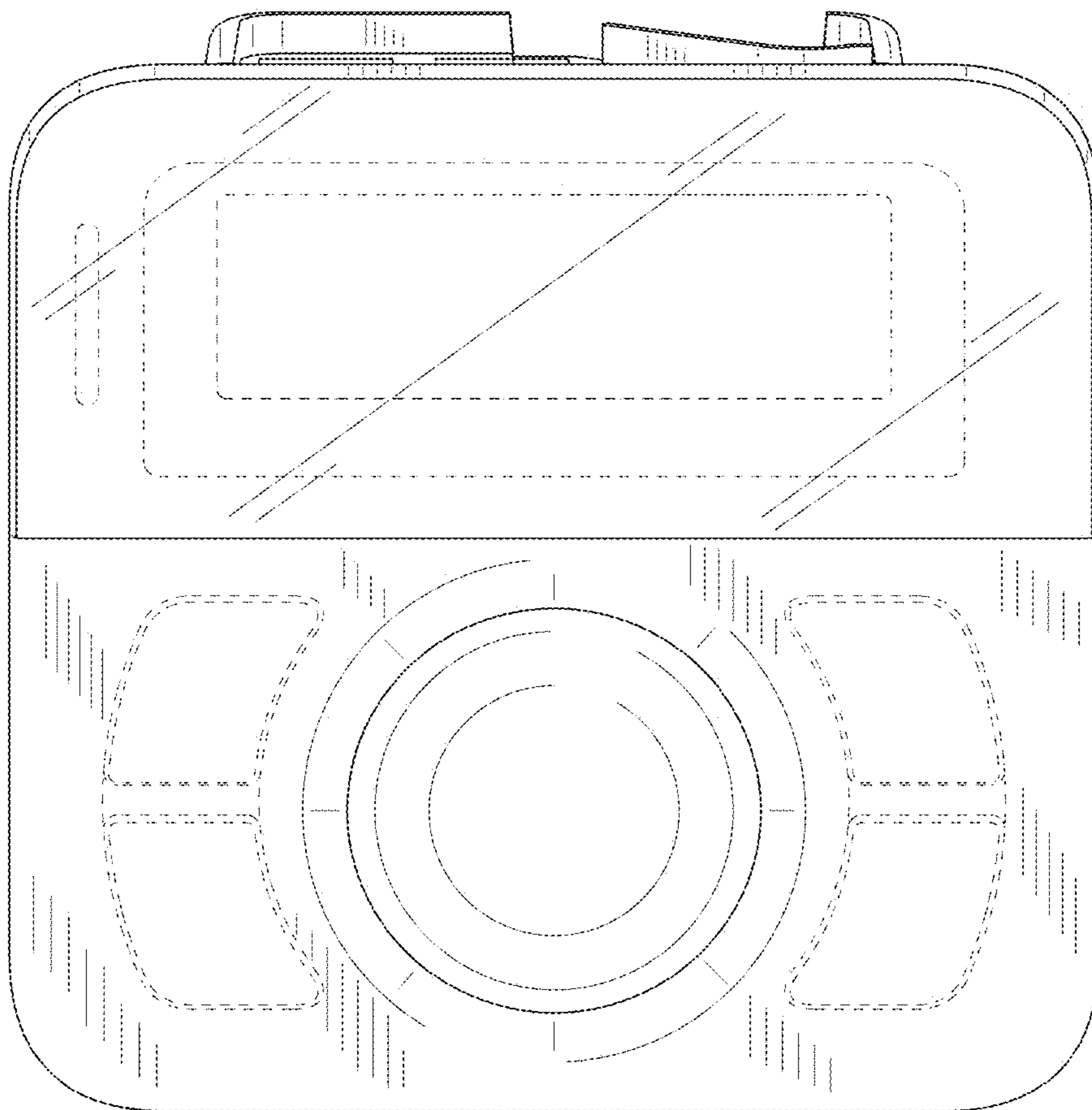


FIG. 7

