



US00D905651S

(12) **United States Design Patent** (10) **Patent No.:** **US D905,651 S**  
**Lee et al.** (45) **Date of Patent:** **\*\* Dec. 22, 2020**

(54) **TELEVISION RECEIVER**

D865,699 S \* 11/2019 Kim ..... D14/126  
10,587,903 B2 \* 3/2020 Park ..... H04N 21/4316  
10,694,629 B2 \* 6/2020 Rohrbach ..... H05K 1/0216

(71) Applicant: **SAMSUNG ELECTRONICS CO., LTD.**, Suwon-si (KR)

**FOREIGN PATENT DOCUMENTS**

(72) Inventors: **Seungho Lee**, Guri-si (KR); **Eunah Kim**, Seoul (KR); **Jaewook Yoo**, Seoul (KR); **Jangho Kim**, Seoul (KR)

CN 201730053542 \* 9/2017  
CN 201730053447 \* 10/2017  
CN 201930156688.6 \* 12/2019

(Continued)

(73) Assignee: **SAMSUNG ELECTRONICS CO., LTD.**, Gyeonggi-Do (KR)

**OTHER PUBLICATIONS**

(\*\*) Term: **15 Years**

65" Class The Frame QLED 4K UHD HDR Smart TV, 2020 [online], [retrieved Aug. 11, 2020], Retrieved from Internet, URL: <<https://www.samsung.com/us/televisions-home-theater/tvs/the-frame/65-class-the-frame-tv-qled-4k-uhd-hdr-smart-tv-2020-qn65ls03tafxza/>> (Year: 2020).\*

(21) Appl. No.: **29/687,202**

(Continued)

(22) Filed: **Apr. 11, 2019**

(30) **Foreign Application Priority Data**

Oct. 12, 2018 (KR) ..... 30-2018-0047061

*Primary Examiner* — Barbara Fox

(51) **LOC (12) Cl.** ..... **14-03**

*Assistant Examiner* — Aram Kwon

(52) **U.S. Cl.**  
USPC ..... **D14/126; D14/239**

(74) *Attorney, Agent, or Firm* — Cantor Colburn LLP

(58) **Field of Classification Search**  
USPC ..... D14/125–137, 239, 314–316; D6/300  
CPC ..... G06F 1/16; G06F 1/1601; G06F 1/1637;  
G06F 3/041; G06F 3/0412; G06F 3/0416;  
H04N 5/64; H05K 5/0204; H05K 5/0017;  
H05K 5/0217; H04M 1/725; H04M  
1/0202; H04M 1/0266

See application file for complete search history.

(57) **CLAIM**

The ornamental design for a television receiver, as shown and described.

**DESCRIPTION**

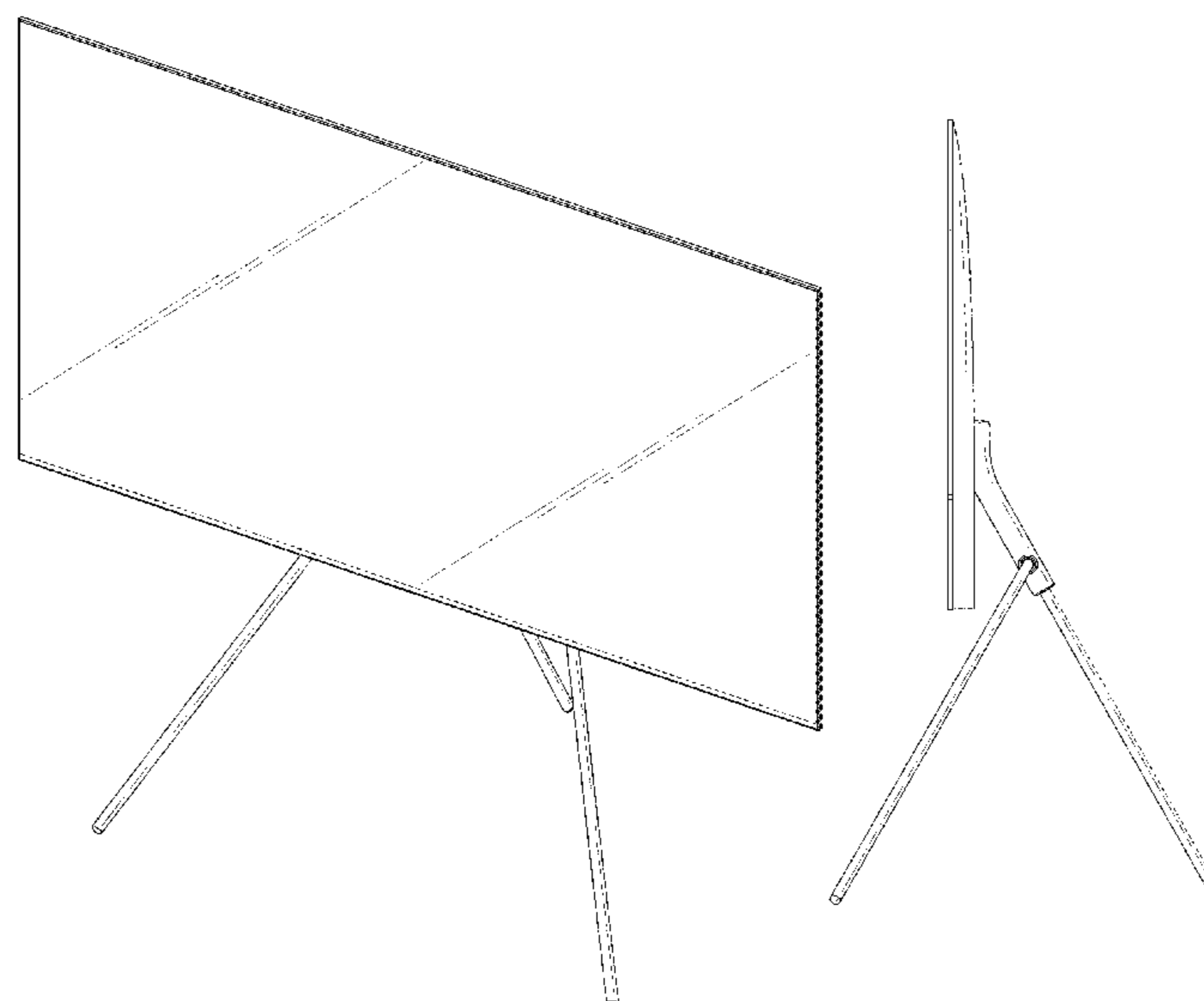
(56) **References Cited**

**U.S. PATENT DOCUMENTS**

8,824,166 B2 \* 9/2014 Rohrbach ..... H05K 9/002  
361/816  
D716,777 S \* 11/2014 Kim ..... D14/239  
D818,996 S \* 5/2018 So ..... D14/239  
D818,997 S \* 5/2018 So ..... D14/239  
D818,998 S \* 5/2018 Lee ..... D14/239  
D819,617 S \* 6/2018 Hubert ..... D14/239

FIG. 1 is a front perspective view of a television receiver, showing our new design;  
FIG. 2 is a front view thereof;  
FIG. 3 is a rear view thereof;  
FIG. 4 is a left-side view thereof;  
FIG. 5 is a right-side view thereof;  
FIG. 6 is a top view thereof;  
FIG. 7 is a bottom view thereof; and,  
FIG. 8 is a rear perspective view thereof.  
The even-dash broken lines illustrating portions of the television receiver form no part of the claimed design.

**1 Claim, 8 Drawing Sheets**



(56)

**References Cited**

## FOREIGN PATENT DOCUMENTS

IN	327469-001	*	5/2020
KR	300659444	S	9/2012
KR	300751779	S	7/2014
KR	300881331	S	11/2016
KR	3020170056864	*	8/2019
KR	3020180047015	*	11/2019
KR	3020180047061	*	11/2019
KR	3020190042402	*	7/2020
WO	WOD201979-005	*	10/2019
WO	WOD201979-006	*	10/2019

## OTHER PUBLICATIONS

2020 Studio Stand, publication date not available, [retrieved Aug. 11, 2020], Retrieved from Internet, URL: <<https://www.samsung.com/us/televisions-home-theater/television-home-theater-accessories/televisions/2020-studio-stand-vg-sest11k-za/#benefits>> (Year: 2020).\*

Samsung Says This Is the Best-Looking TV It Has Made Yet, Jan. 4, 2017 [online], [retrieved Aug. 11, 2020], Retrieved from Internet, URL: <<https://fortune.com/2017/01/04/ces-samsung-qlcd-tv/>> (Year: 2017).\*

Dezeen and Samsung to launch €30,000 competition to rethink the TV stand, Jun. 15, 2017 [online], [retrieved Aug. 11, 2020], Retrieved from Internet, URL: <<https://www.dezeen.com/2017/06/15/samsung-dezeen-to-launch-competition-redesign-qlcd-tv-stand/>> (Year: 2017).\*

Samsung's polarizing Serif TV is now available in the US for \$1,499, Jul. 4, 2016 [online], [retrieved Aug. 11, 2020], Retrieved from Internet, URL: <<https://www.theverge.com/circuitbreaker/2016/7/4/12092810/samsung-serif-tv-us-buy>> (Year: 2016).\*

DQ Tripod TV Stand. Youtube [online]. p. 1 [retrieved on Apr. 11, 2019]. Retrieved from the Internet: <URL: <https://www.youtube.com/watch?v=OPS4T5yhQyo>>.

\* cited by examiner

FIG. 1

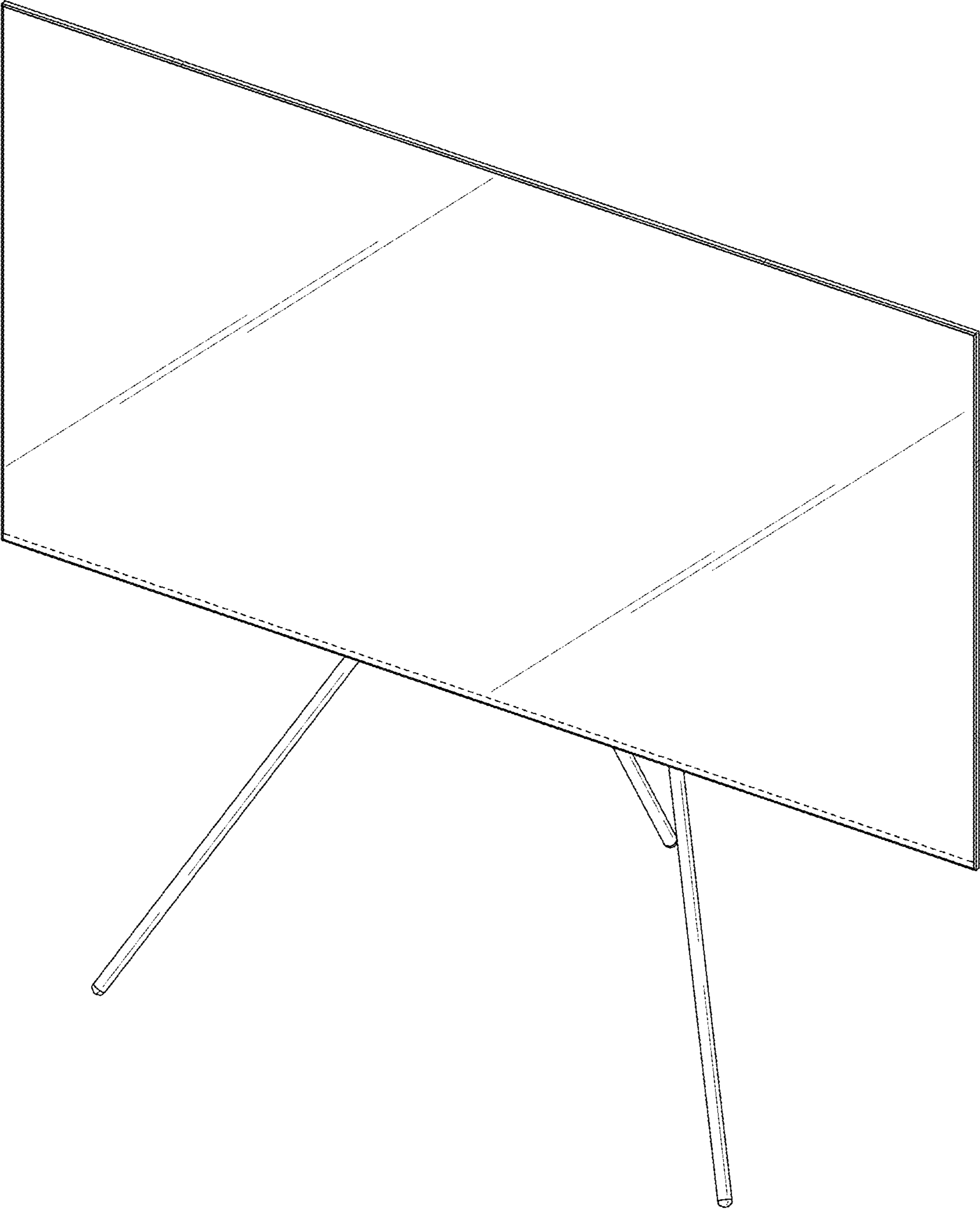


FIG. 2

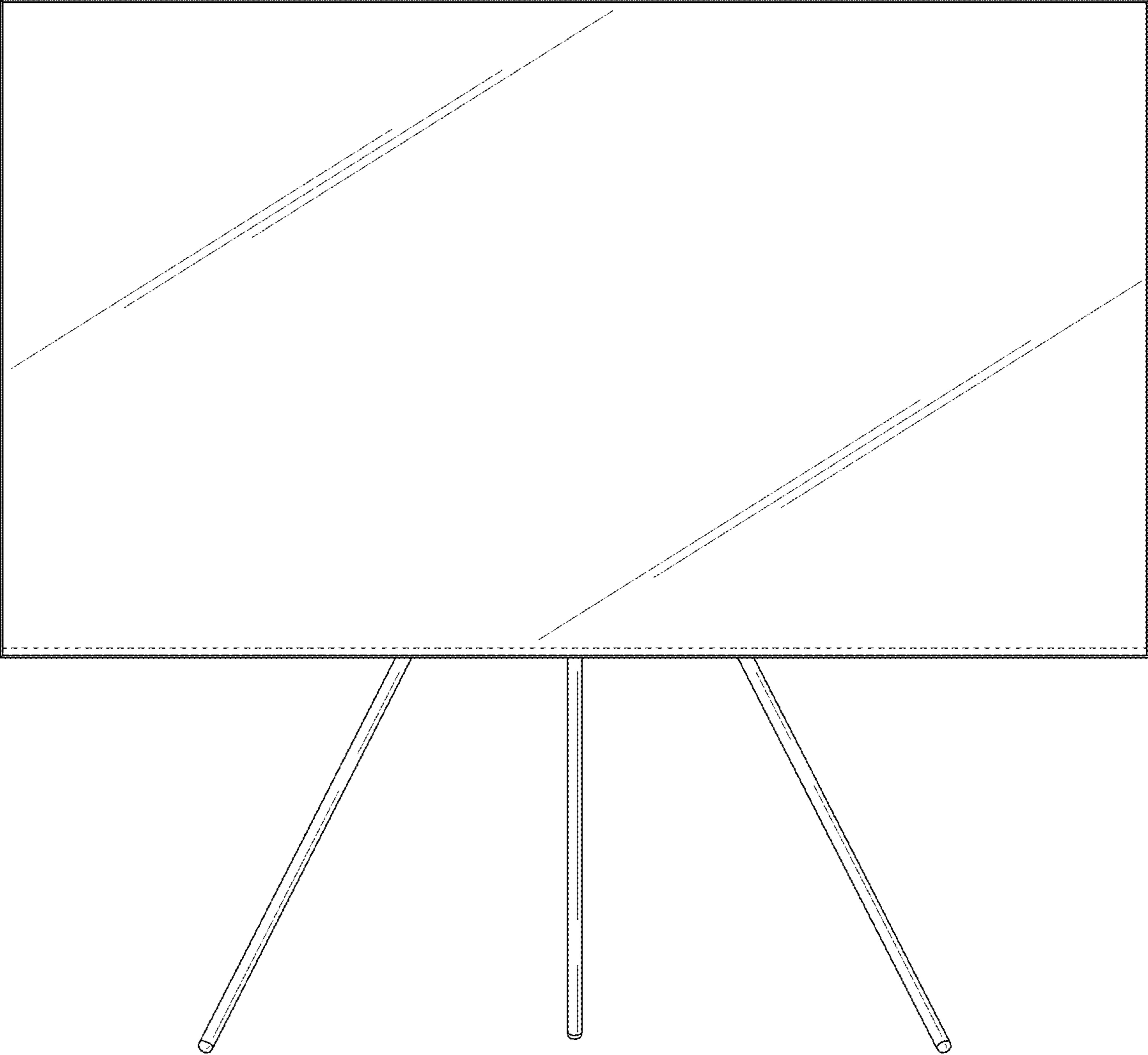


FIG. 3

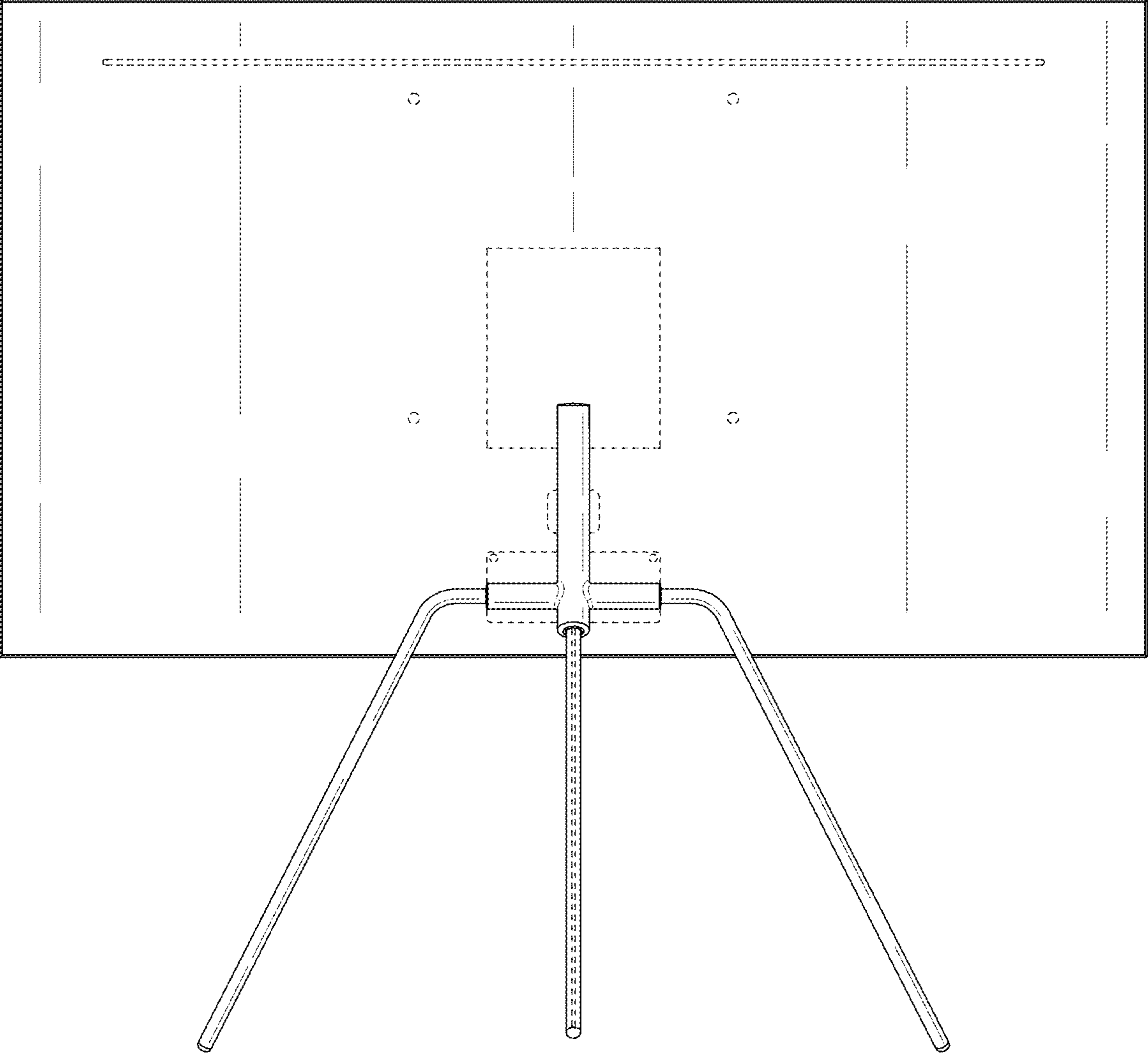


FIG. 4

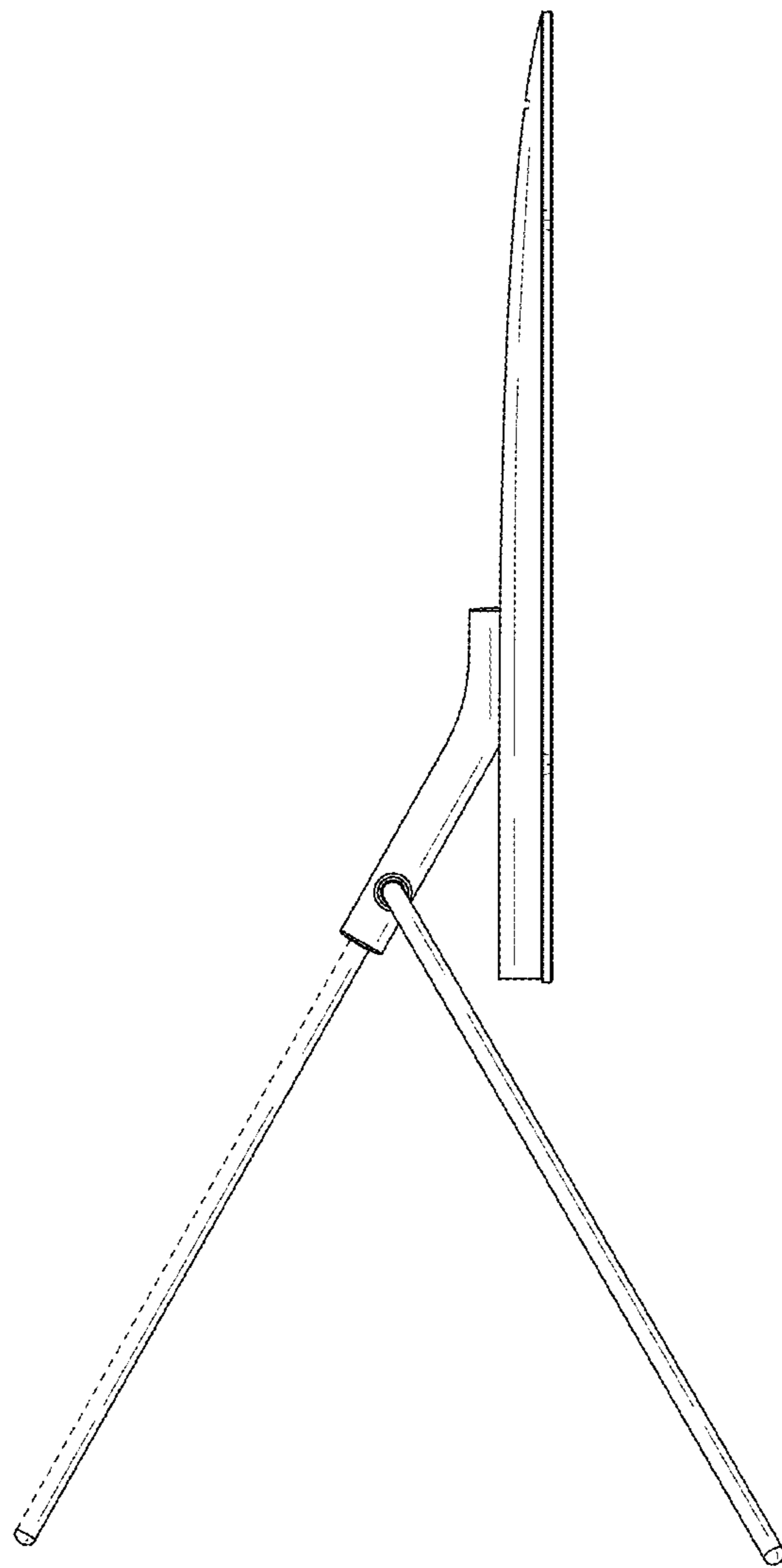


FIG. 5

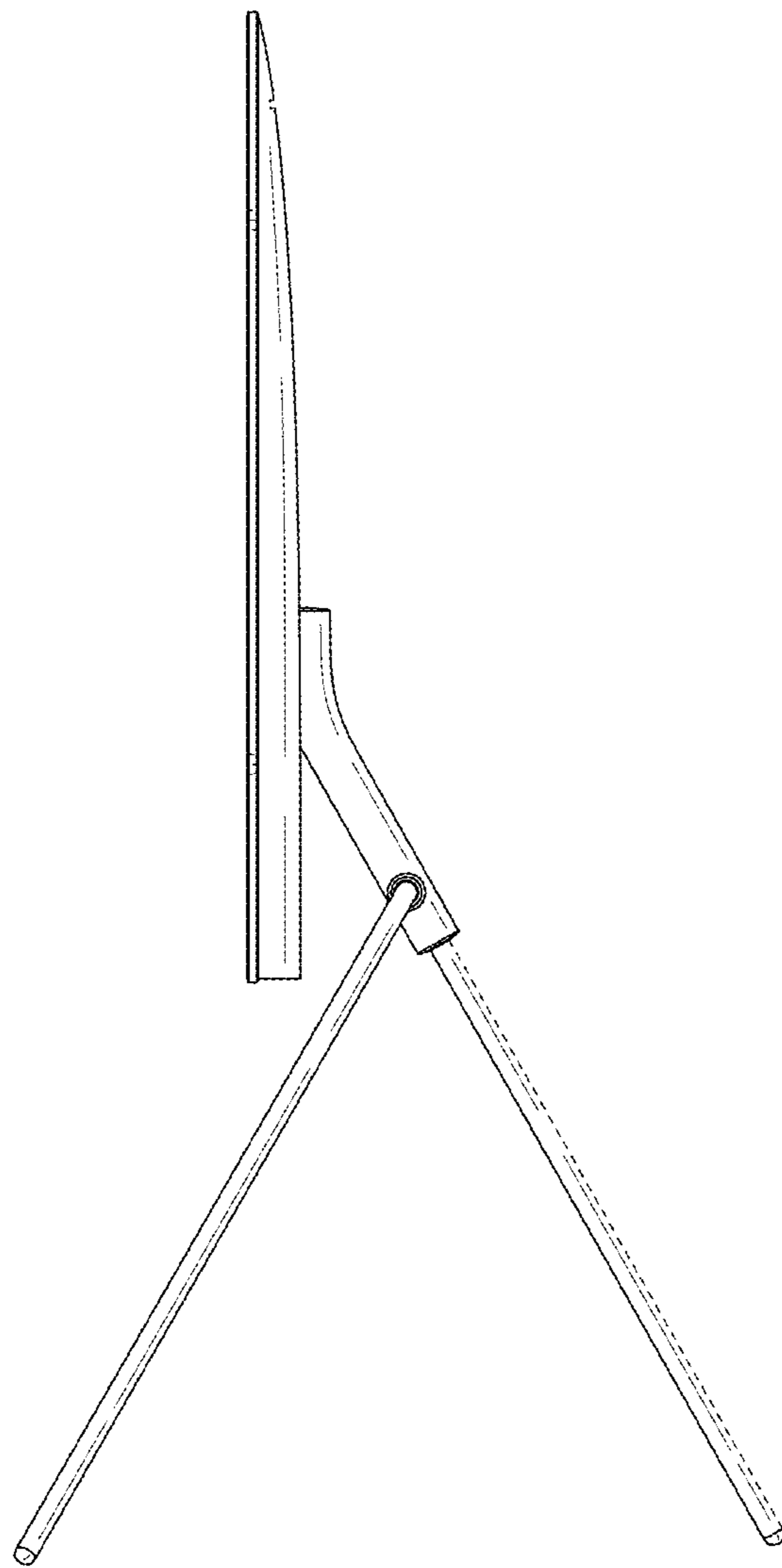


FIG. 6

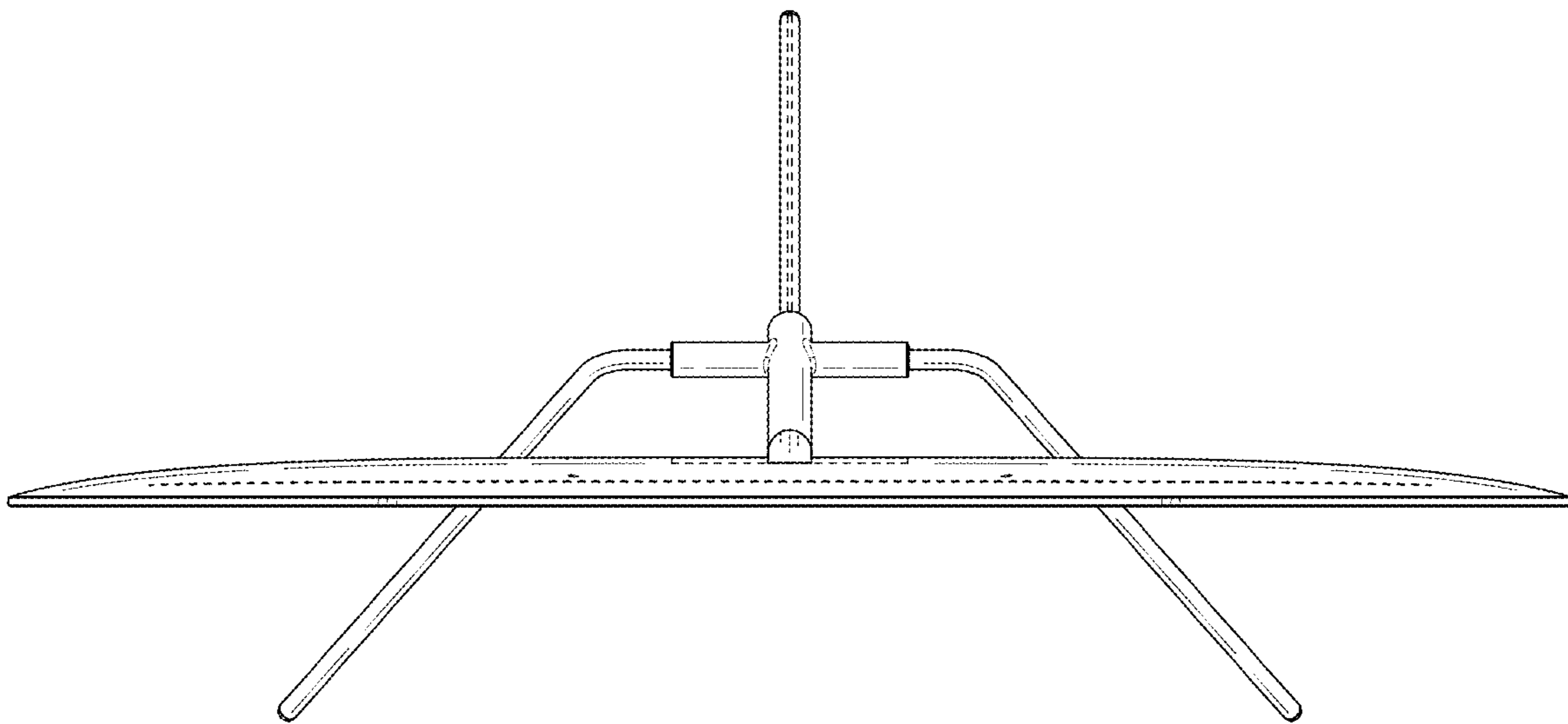




FIG. 7

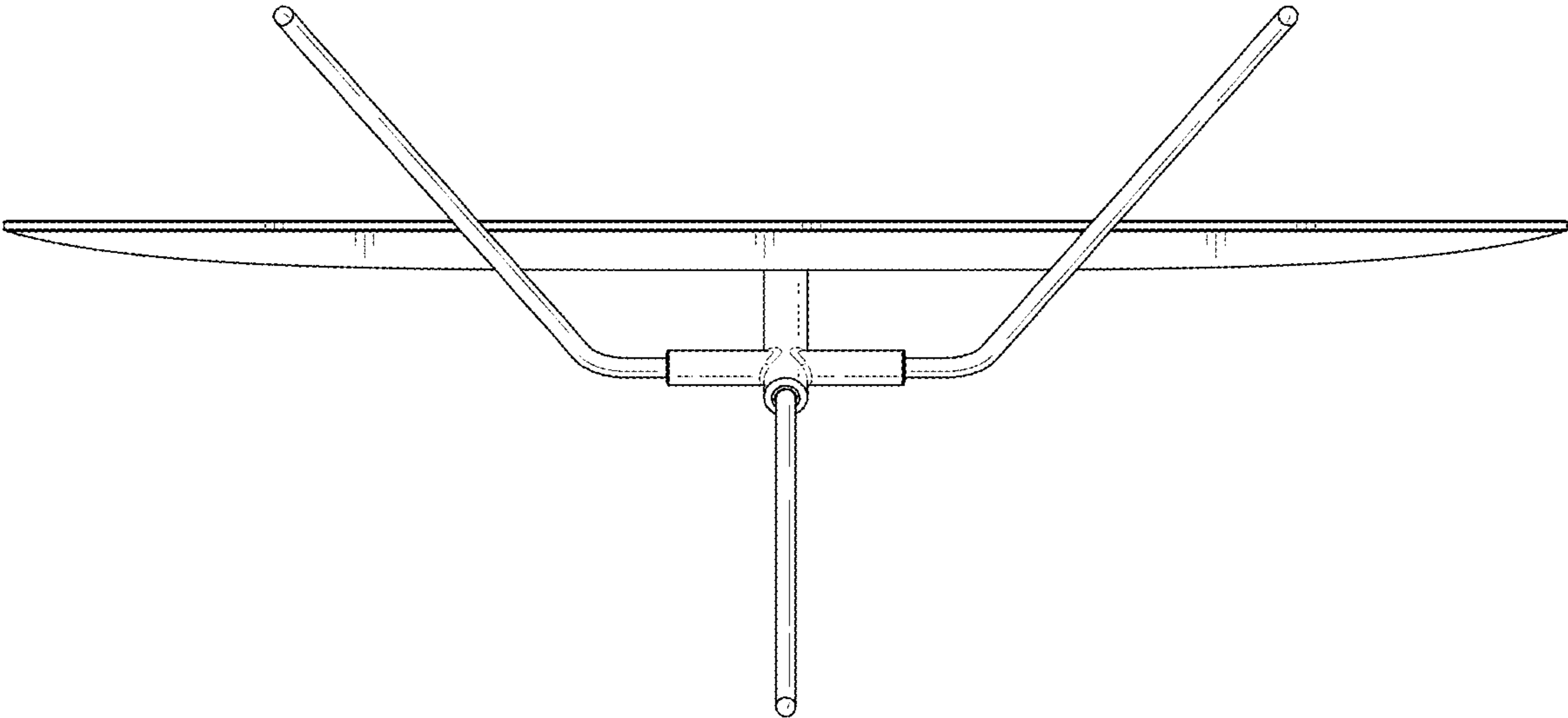


FIG. 8

