



US00D905649S

(12) **United States Design Patent**  
**Kim et al.**

(10) **Patent No.:** **US D905,649 S**  
(45) **Date of Patent:** **\*\* Dec. 22, 2020**

(54) **TELEVISION RECEIVER**

- (71) Applicant: **Samsung Electronics Co., Ltd.**,  
Suwon-si (KR)
- (72) Inventors: **Ji-Gwang Kim**, Seoul (KR);  
**Dongwook Kim**, Seoul (KR);  
**Jeongwoo Park**, Seoul (KR); **Sang**  
**Young Lee**, Gwangmyeong-si (KR);  
**Su-An Choi**, Seoul (KR)
- (73) Assignee: **Samsung Electronics Co., Ltd.**,  
Suwon-si (KR)
- (\*\*) Term: **15 Years**
- (21) Appl. No.: **29/681,612**
- (22) Filed: **Feb. 27, 2019**
- (30) **Foreign Application Priority Data**

Aug. 29, 2018 (KR) ..... 30-2018-0040294

(51) **LOC (12) Cl.** ..... **14-03**

(52) **U.S. Cl.**  
USPC ..... **D14/126; D14/239**

(58) **Field of Classification Search**  
USPC ..... D14/125-137, 239, 314-316; D6/300  
CPC ..... G06F 1/16; G06F 1/1601; G06F 1/1637;  
G06F 3/041; G06F 3/0412; G06F 3/0416;  
H04N 5/64; H05K 5/0204; H05K 5/0017;  
H05K 5/0217; H04M 1/725; H04M  
1/0202; H04M 1/0266

See application file for complete search history.

(56) **References Cited**

**U.S. PATENT DOCUMENTS**

D746,799 S \* 1/2016 Kim ..... D14/239  
D747,299 S \* 1/2016 Kim ..... D14/239

(Continued)

**FOREIGN PATENT DOCUMENTS**

CN 201430392707.2 4/2015  
CN 201430509448.7 7/2015

(Continued)

**OTHER PUBLICATIONS**

Samsung QN55Q900RBFXZA Flat 55-Inch QLED, (c) 2019 [online],  
[retrieved Aug. 10, 2020], Retrieved from Internet, URL: <[https://www.amazon.com/Samsung-QN55Q900RBFXZA-55-Inch-Ultra-Compatibility/dp/B07SM38P2G/ref=asc\\_df\\_B07SM38P2G/?tag=&linkCode=df%E2%80%A6](https://www.amazon.com/Samsung-QN55Q900RBFXZA-55-Inch-Ultra-Compatibility/dp/B07SM38P2G/ref=asc_df_B07SM38P2G/?tag=&linkCode=df%E2%80%A6)> (Year: 2019).\*

(Continued)

*Primary Examiner* — Barbara Fox

*Assistant Examiner* — Aram Kwon

(74) *Attorney, Agent, or Firm* — NSIP Law

(57) **CLAIM**

We claim the ornamental design for a television receiver, as shown and described.

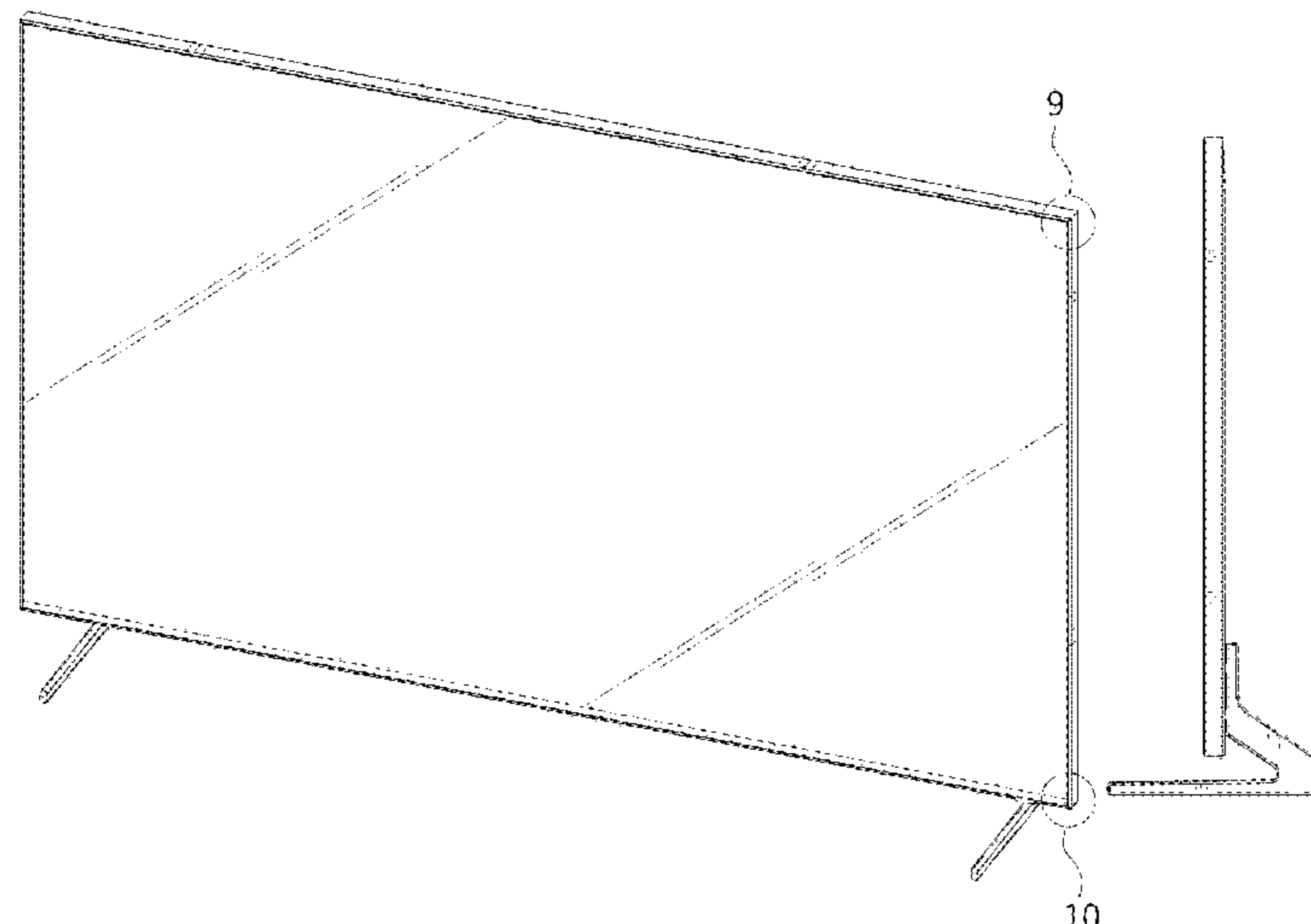
**DESCRIPTION**

FIG. 1 is a front perspective view of a television receiver showing our new design;  
FIG. 2 is a front view thereof;  
FIG. 3 is a rear view thereof;  
FIG. 4 is a left-side view thereof;  
FIG. 5 is a right-side view thereof;  
FIG. 6 is a top view thereof;  
FIG. 7 is a bottom view thereof;  
FIG. 8 is a rear perspective view thereof;  
FIG. 9 is an enlarged view of the encircled portion 9 as illustrated in FIG. 1;  
FIG. 10 is an enlarged view of the encircled portion 10 as illustrated in FIG. 1;  
FIG. 11 is an enlarged view of the encircled portion 11 as illustrated in FIG. 4;  
FIG. 12 is an enlarged view of the encircled portion 12 as illustrated in FIG. 8; and,  
FIG. 13 is a front perspective view thereof, shown with the stands in a second position.

The dash-dash broken lines in the figures depict portions of the television receiver which form no part of the claimed design.

The dot-dot-dash broken lines encircling portions of the claimed design that are illustrated in enlargements form no part of the claimed design.

**1 Claim, 10 Drawing Sheets**



(56)

**References Cited**

U.S. PATENT DOCUMENTS

D747,300	S	*	1/2016	Kim	.....	D14/239
D747,703	S	*	1/2016	Kim	.....	D14/239
D758,376	S	*	6/2016	Lu	.....	D14/451
D797,085	S	*	9/2017	So	.....	D14/239
D864,928	S	*	10/2019	Masui	.....	D14/239

FOREIGN PATENT DOCUMENTS

CN	201930078269.5	*	11/2019
CN	201930078386.1	*	11/2019
KR	30-2013-0022911		3/2014
KR	3020180040294	*	6/2019
WO	WOD201596-009	*	8/2019
WO	WOD201596-011	*	8/2019

OTHER PUBLICATIONS

Samsung—65" Class—LED—Q900 Series, 2019 [online], [retrieved Aug. 10, 2020], Retrieved from Internet, URL: <<https://www.bestbuy.com/site/samsung-65-class-led-q900-series-4320p-smart-8k-uhd-tv-with-hdr/6323711.p?skuId=6323711>> (Year: 2019).\*

Samsung Q900 85-inch 8K QLED TV hands-on review, Oct. 10, 2018 [online], [retrieved from Internet, URL: <<https://www.digitaltrends.com/tv-reviews/samsung-q900-series-qn85q900raf-review/>> (Year: 2018).\*

TAVR Furniture. “TAVR Universal Table Top TV Stand for Most 22-65 inch Plasma LCD LED Flat or Curved Screen TVs, VESA Pattern up to 800mm×400mm,88 Lbs Capacity, UT3001” [2019] [www.amazon.com](https://www.amazon.com/TAVR-Universal-Plasma-Curved-Patterns/dp/B06XW7MLB4/ref=pd_sbs_23_21?_encoding=UTF8&pd_rd_i=B06XW7MLB4&pd_rd_r=GEZAXBETPFQRG0DXHJVW&pd_rd_w=kb0fb&pd_rd_wg=N0ovp&psc=1&refRID=GEZAXBETPFQRG0DXHJVW) Feb. 27, 2019 <[https://www.amazon.com/TAVR-Universal-Plasma-Curved-Patterns/dp/B06XW7MLB4/ref=pd\\_sbs\\_23\\_21?\\_encoding=UTF8&pd\\_rd\\_i=B06XW7MLB4&pd\\_rd\\_r=GEZAXBETPFQRG0DXHJVW&pd\\_rd\\_w=kb0fb&pd\\_rd\\_wg=N0ovp&psc=1&refRID=GEZAXBETPFQRG0DXHJVW](https://www.amazon.com/TAVR-Universal-Plasma-Curved-Patterns/dp/B06XW7MLB4/ref=pd_sbs_23_21?_encoding=UTF8&pd_rd_i=B06XW7MLB4&pd_rd_r=GEZAXBETPFQRG0DXHJVW&pd_rd_w=kb0fb&pd_rd_wg=N0ovp&psc=1&refRID=GEZAXBETPFQRG0DXHJVW)>.

FITUEYES. “FITUEYES Universal Table Top TV Stand/Base VESA Pedestal Mount fits 23"to 60" LED LCD Flat Screen TV with Heights Adjustment TT07201MB” [2019] [www.amazon.com](https://www.amazon.com/FITUEYES-Universal-Pedestal-Adjustment-TT07201MB/dp/B06WRW8QXC/ref=pd_sbs_23_18?_encoding=UTF8&pd_rd_i=B06WRW8QXC&pd_rd_r=GEZAXBETPFQRG0DXHJVW&pd_rd_w=kb0fb&pd_rd_wg=N0oVp&psc=1&refRID=GEZAXBETPFQRG0DXHJVW) Feb. 27, 2019 <[https://www.amazon.com/FITUEYES-Universal-Pedestal-Adjustment-TT07201MB/dp/B06WRW8QXC/ref=pd\\_sbs\\_23\\_18?\\_encoding=UTF8&pd\\_rd\\_i=B06WRW8QXC&pd\\_rd\\_r=GEZAXBETPFQRG0DXHJVW&pd\\_rd\\_w=kb0fb&pd\\_rd\\_wg=N0oVp&psc=1&refRID=GEZAXBETPFQRG0DXHJVW](https://www.amazon.com/FITUEYES-Universal-Pedestal-Adjustment-TT07201MB/dp/B06WRW8QXC/ref=pd_sbs_23_18?_encoding=UTF8&pd_rd_i=B06WRW8QXC&pd_rd_r=GEZAXBETPFQRG0DXHJVW&pd_rd_w=kb0fb&pd_rd_wg=N0oVp&psc=1&refRID=GEZAXBETPFQRG0DXHJVW)>.

\* cited by examiner

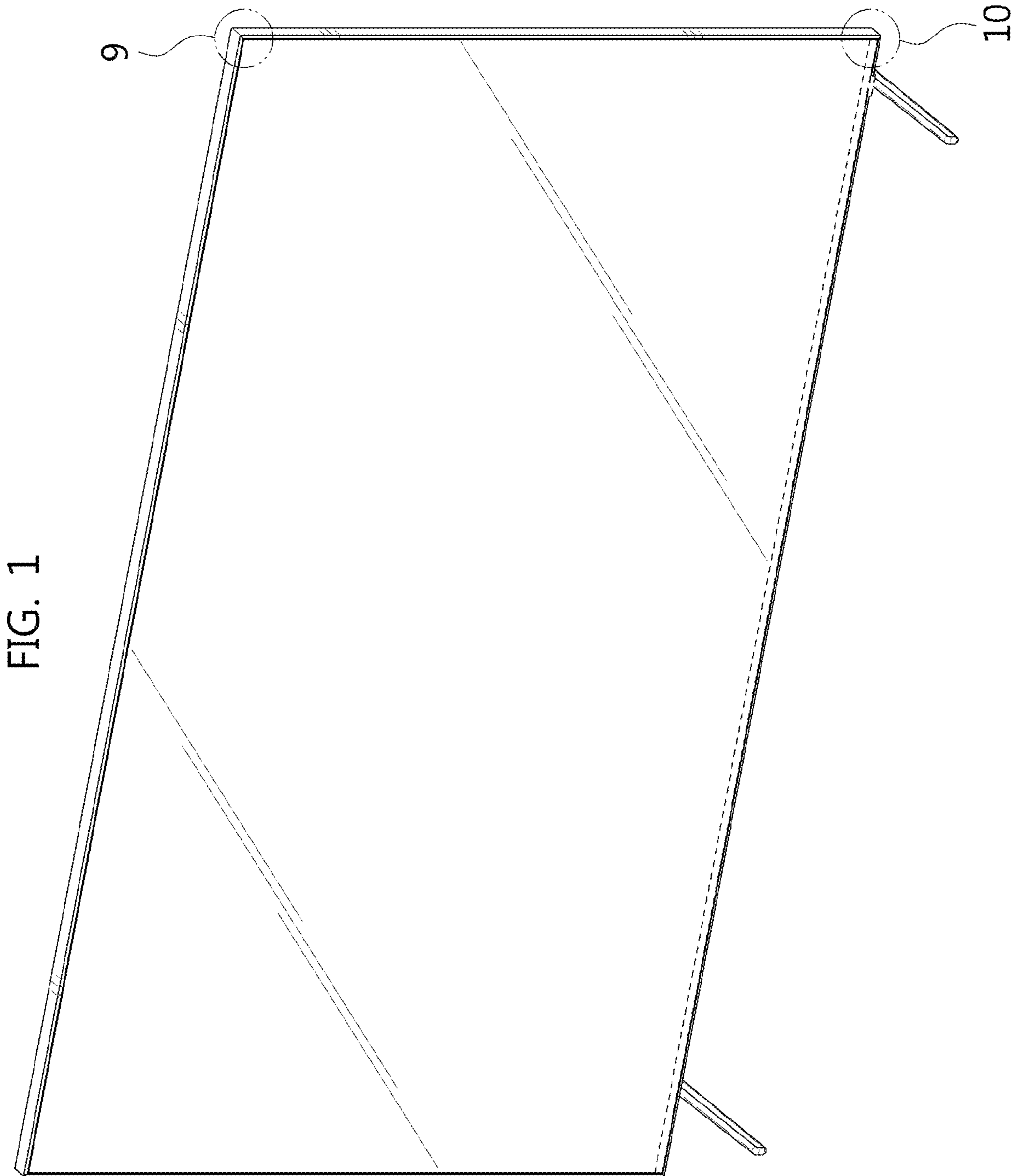


FIG. 2

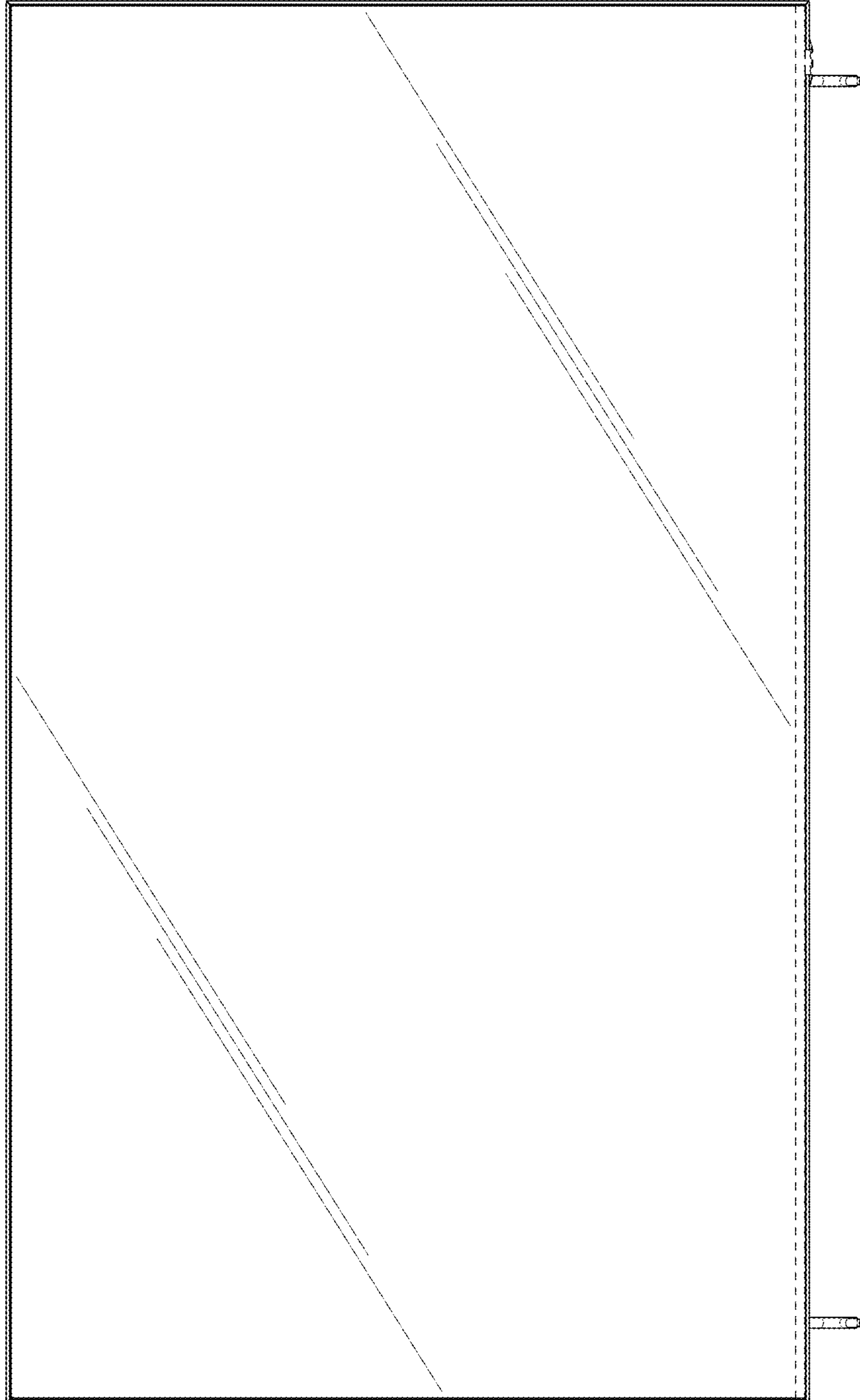


FIG. 3

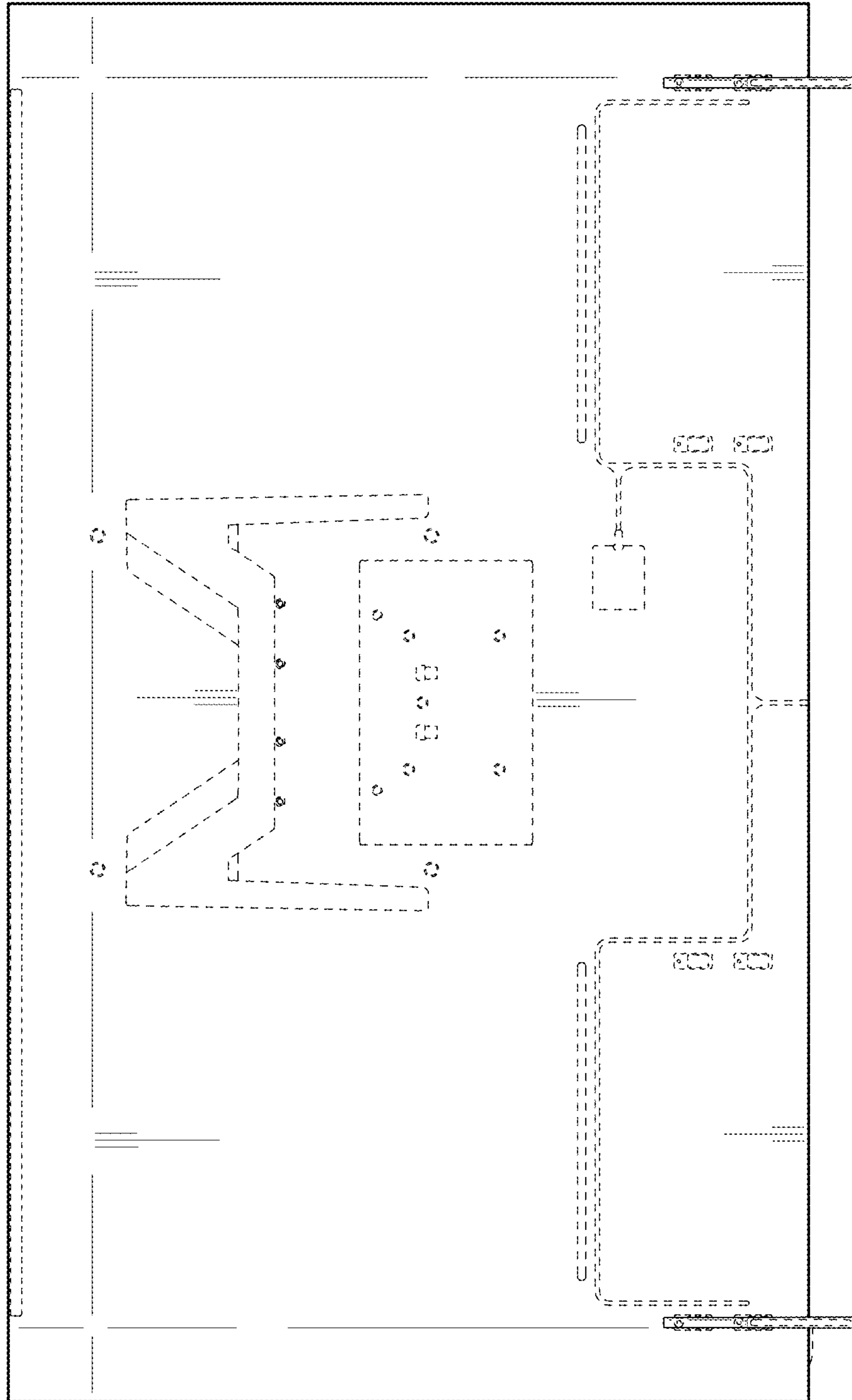




FIG. 5

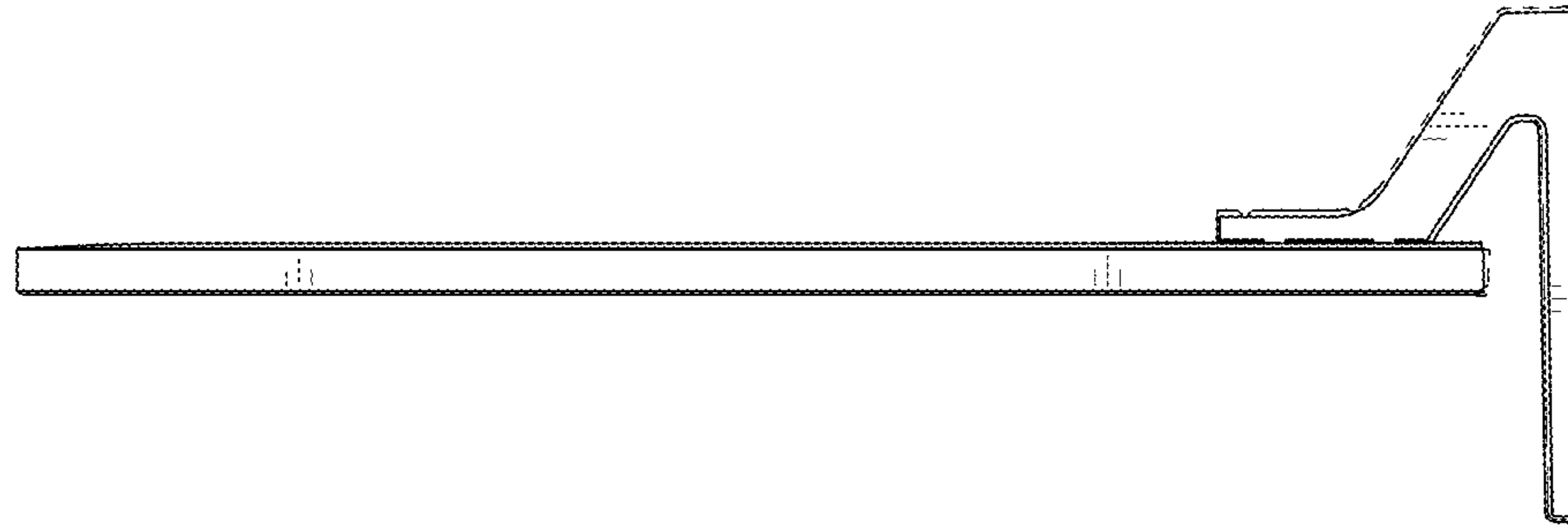


FIG. 4

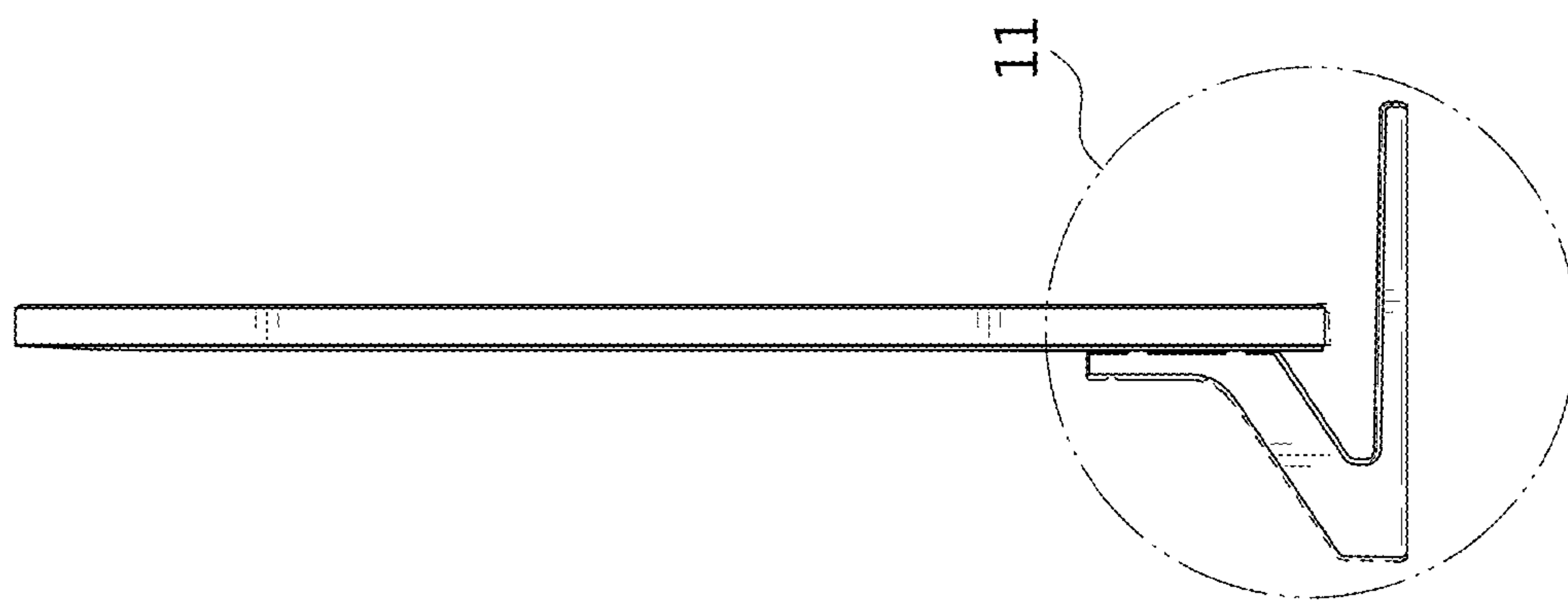


FIG. 6

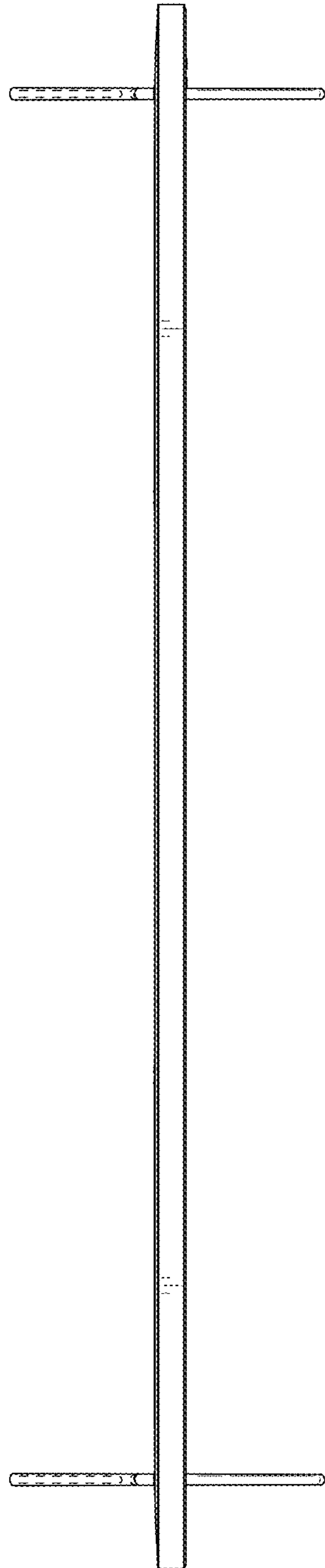
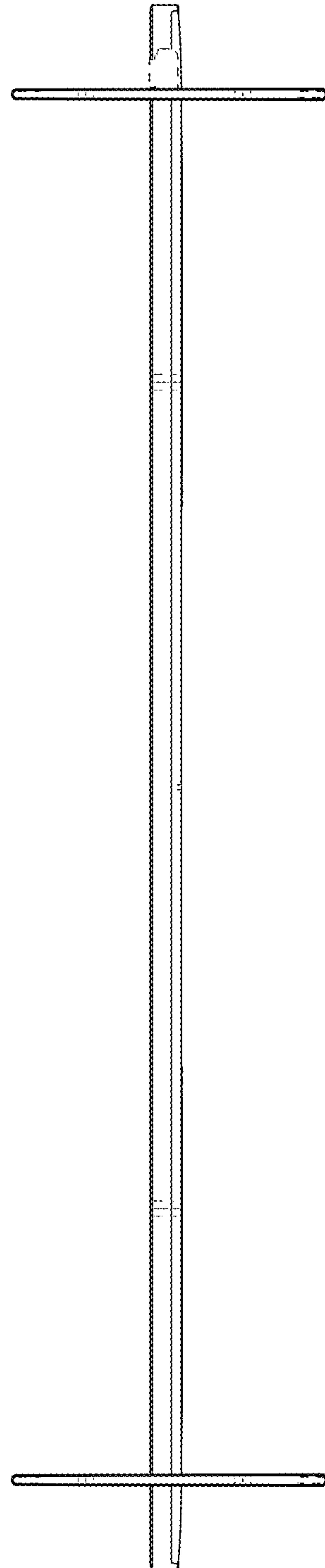


FIG. 7



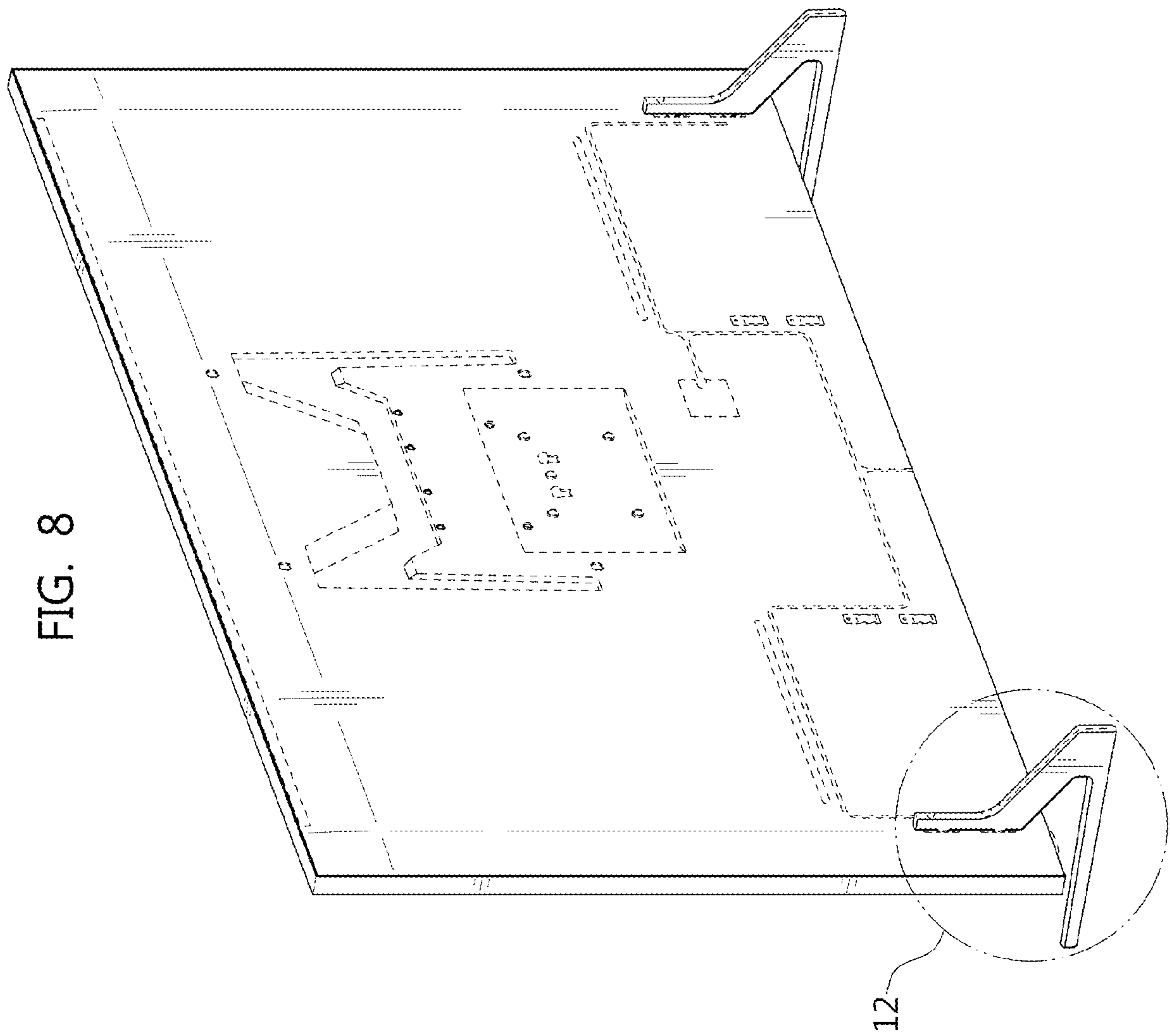




FIG. 10

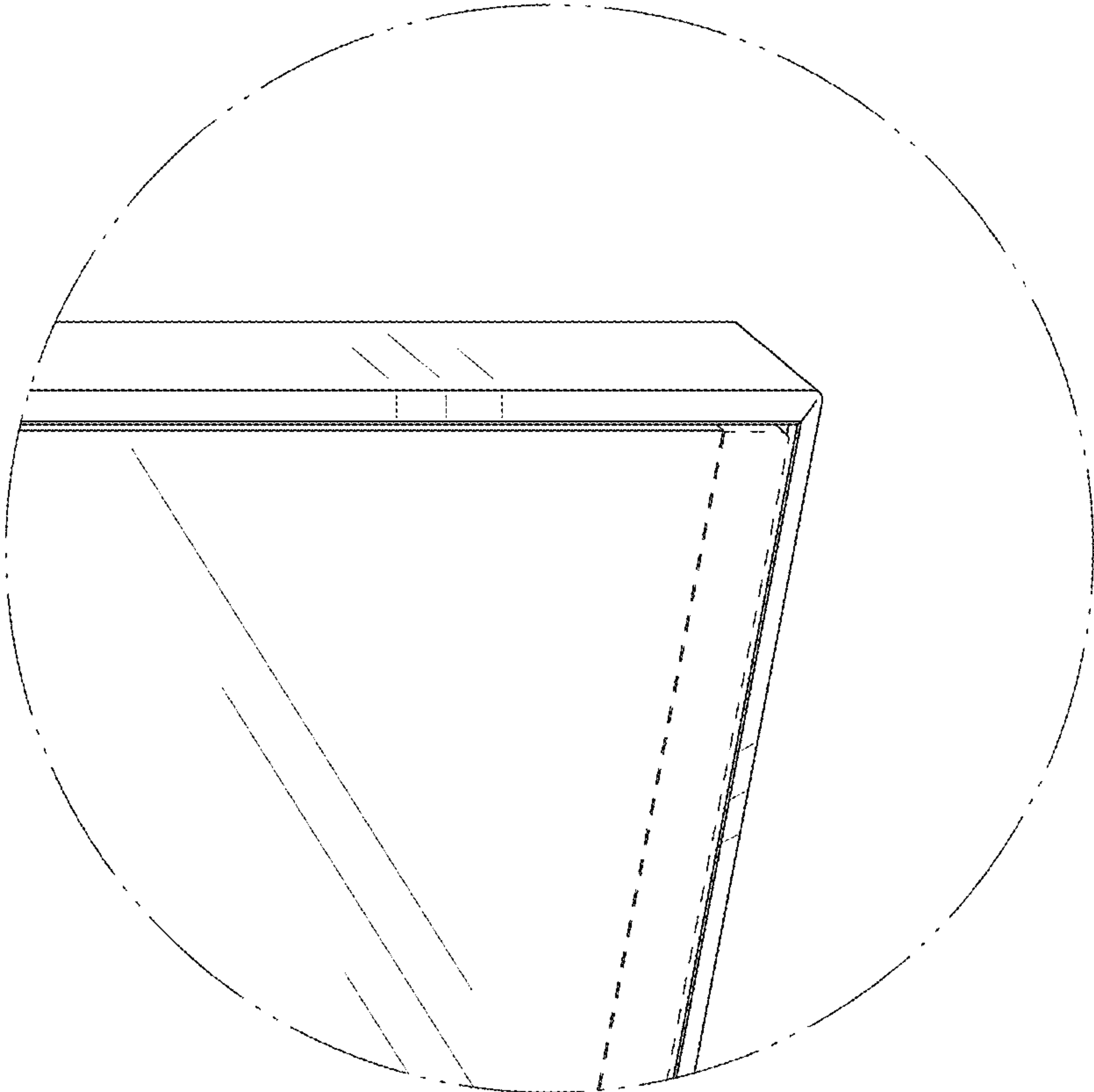


FIG. 9

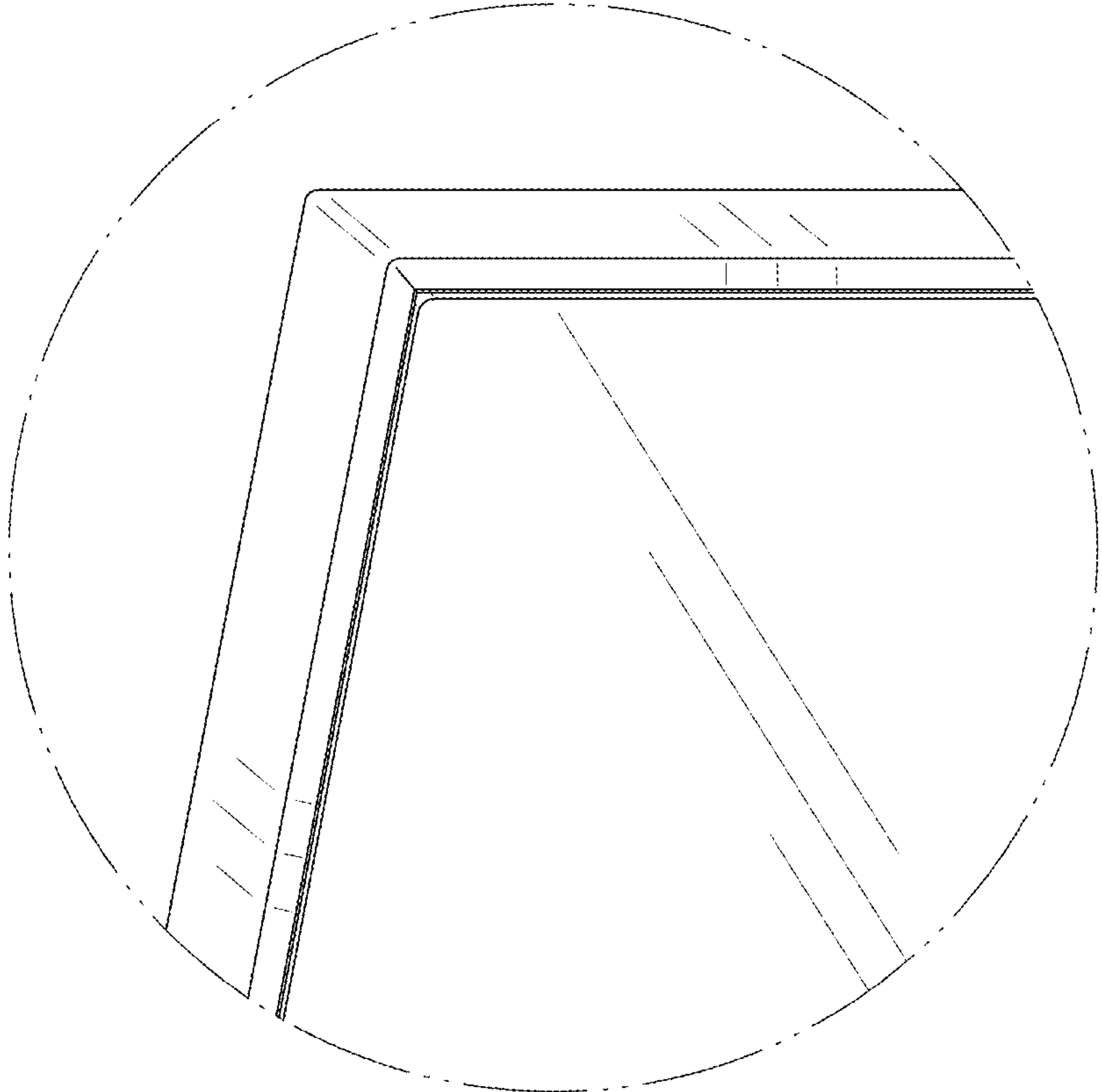


FIG. 11

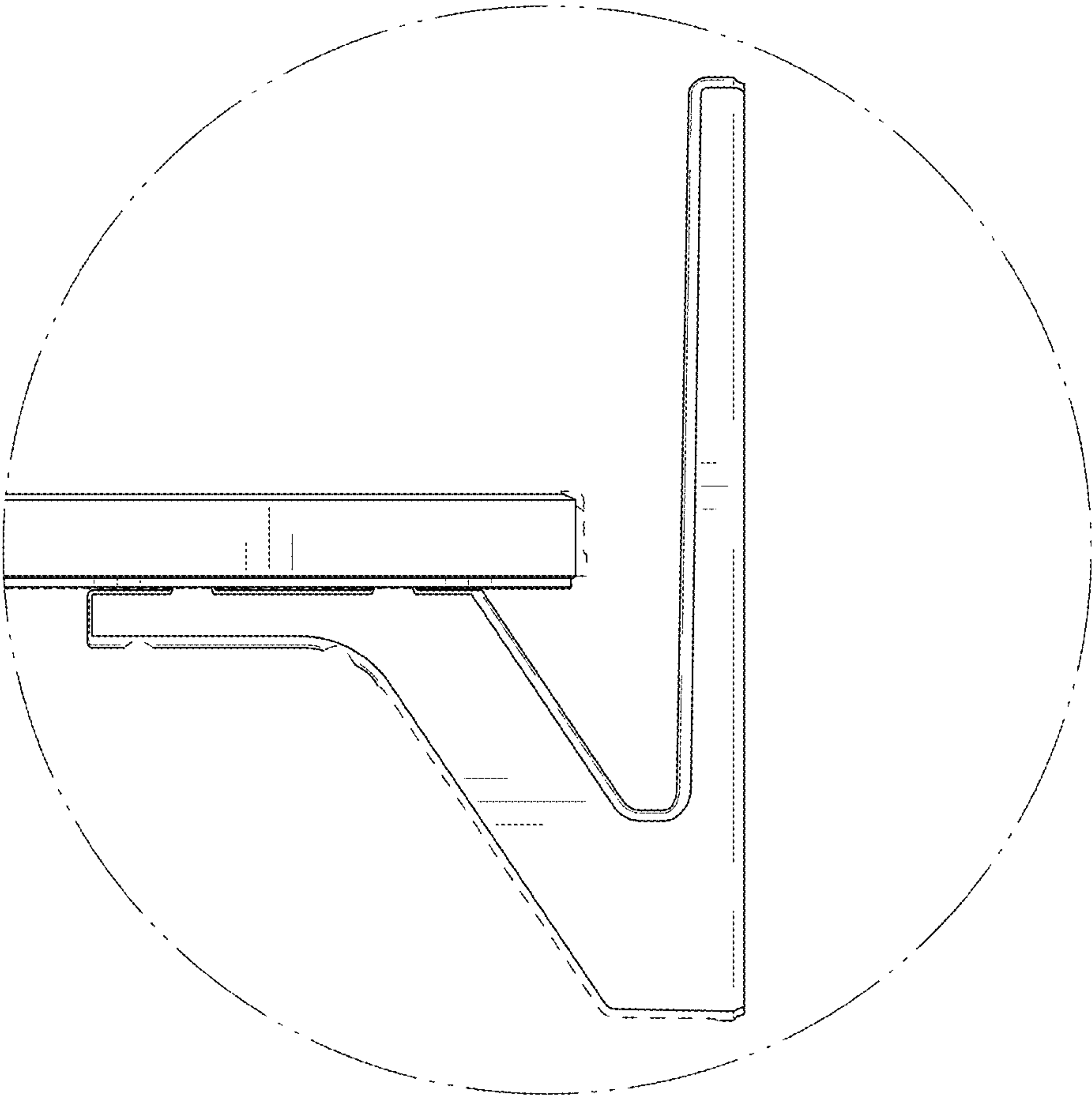


FIG. 12

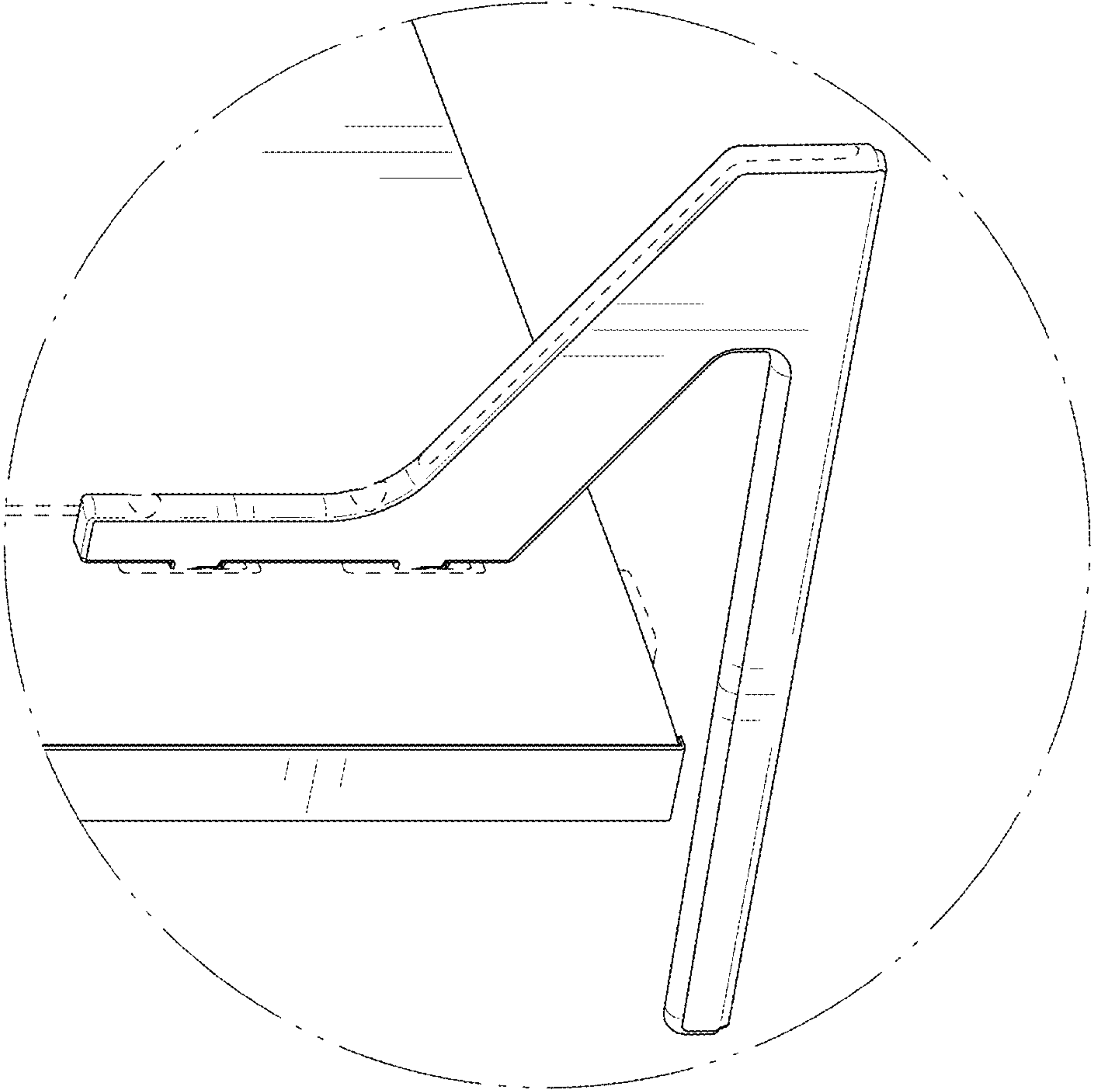


FIG. 13

