



US00D905648S

(12) **United States Design Patent** (10) **Patent No.:** **US D905,648 S**
Frøkjær (45) **Date of Patent:** **** Dec. 22, 2020**

(54) **LCD DISPLAY**
(71) Applicant: **PATRICK ART IVS**, Randers (DK)
(72) Inventor: **Casper Patrick Frøkjær**, Randers (DK)
(**) Term: **15 Years**
(21) Appl. No.: **35/507,848**
(22) Filed: **Apr. 24, 2019**
(80) **Hague Agreement Data**
Int. Filing Date: **Apr. 24, 2019**
Int. Reg. No.: **DM/204100**
Int. Reg. Date: **Apr. 24, 2019**
Int. Reg. Pub. Date: **Nov. 22, 2019**
(51) **LOC (12) Cl.** **13-03**
(52) **U.S. Cl.**
USPC **D13/180**
(58) **Field of Classification Search**
USPC D11/131, 140, 155; D13/180; D26/1, D26/35, 74, 80, 81
CPC F21S 41/00; F21S 43/14; F21S 43/145; F21S 43/15; F21S 43/20; F21V 21/025; F21V 33/0056; F21V 21/08; F21Y 2103/10
See application file for complete search history.

(56) **References Cited**
U.S. PATENT DOCUMENTS
660,782 A * 10/1900 Trümpell G09B 23/36 434/297
D292,044 S * 9/1987 Billiet D6/300
D510,566 S * 10/2005 Johanneck D13/171
D541,761 S * 5/2007 Saito D13/180
D573,553 S * 7/2008 Uemoto D13/180
D658,603 S * 5/2012 Egawa D13/180
D689,451 S * 9/2013 Shimonishi D13/180
D698,322 S * 1/2014 Takeda D13/180

D706,231 S * 6/2014 Hussell D13/180
D707,192 S * 6/2014 Hussell D13/180
D709,041 S * 7/2014 Yu D13/180
D712,850 S * 9/2014 Welch D13/180
D717,252 S * 11/2014 Takeda D13/180
D721,339 S * 1/2015 Hussell D13/180
D738,542 S * 9/2015 Hussell D26/1
D739,565 S * 9/2015 Welch H01H 13/48 D26/1
D740,453 S * 10/2015 Welch D26/1
D740,768 S * 10/2015 Takeda D13/180
D748,292 S * 1/2016 Fagner D26/1
D748,295 S * 1/2016 Dobos D26/1
9,300,062 B2 * 3/2016 Hussell H01L 25/0753
D778,246 S * 2/2017 Kuriki H01L 25/0753 D13/180
D806,657 S * 1/2018 Russo D13/168
D815,053 S * 4/2018 Parekh D13/182
D816,623 S * 5/2018 Parekh D13/182
D844,183 S * 3/2019 Nakanishi D26/1
D845,931 S * 4/2019 Kosuge D14/218
D862,403 S * 10/2019 Nakanishi D13/180
D869,408 S * 12/2019 Chen D13/180
D874,961 S * 2/2020 Friedli D10/108
D875,083 S * 2/2020 Sohn D14/218
D895,559 S * 9/2020 Kuriki D13/180

(Continued)

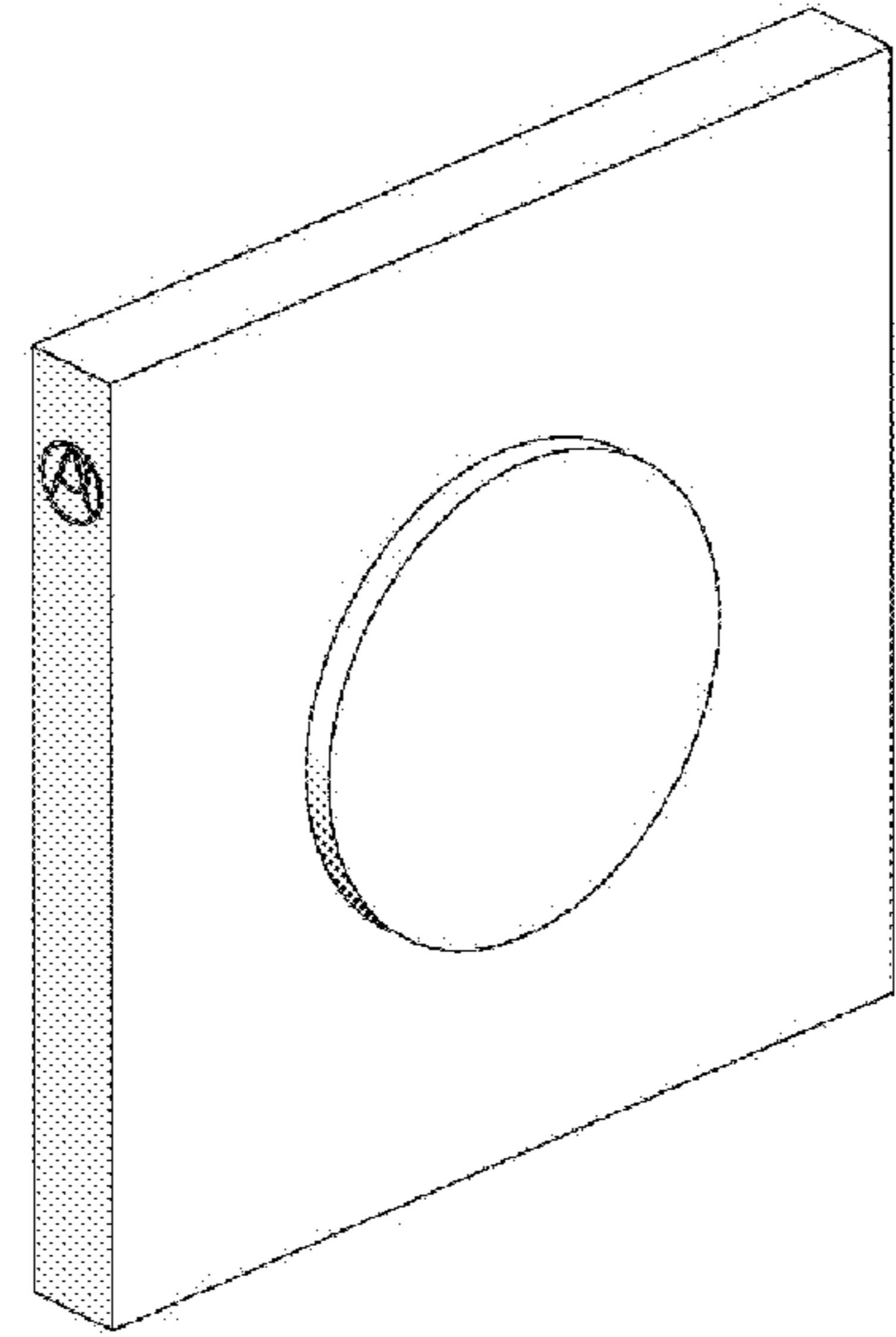
Primary Examiner — Robert M. Spear

(57) **CLAIM**
The ornamental design for LCD display, as shown and described.

DESCRIPTION

- 1. LCD display
- 1.1 : Perspective
- 1.2 : Front
- 1.3 : Top
- 1.4 : Left
- 1.5 : Back
- 1.6 : Right
- 1.7 : Bottom

1 Claim, 7 Drawing Sheets



(56)

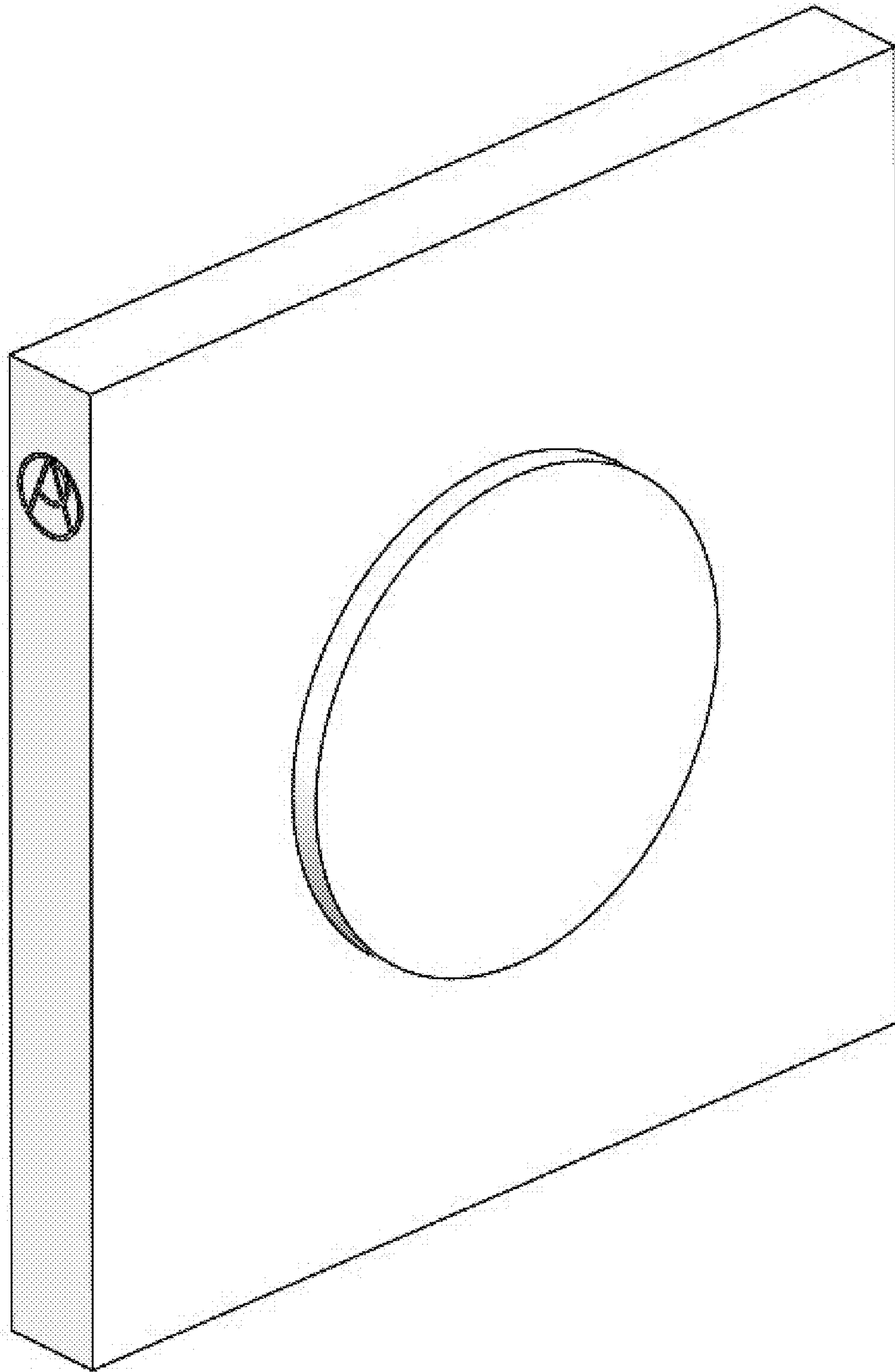
References Cited

U.S. PATENT DOCUMENTS

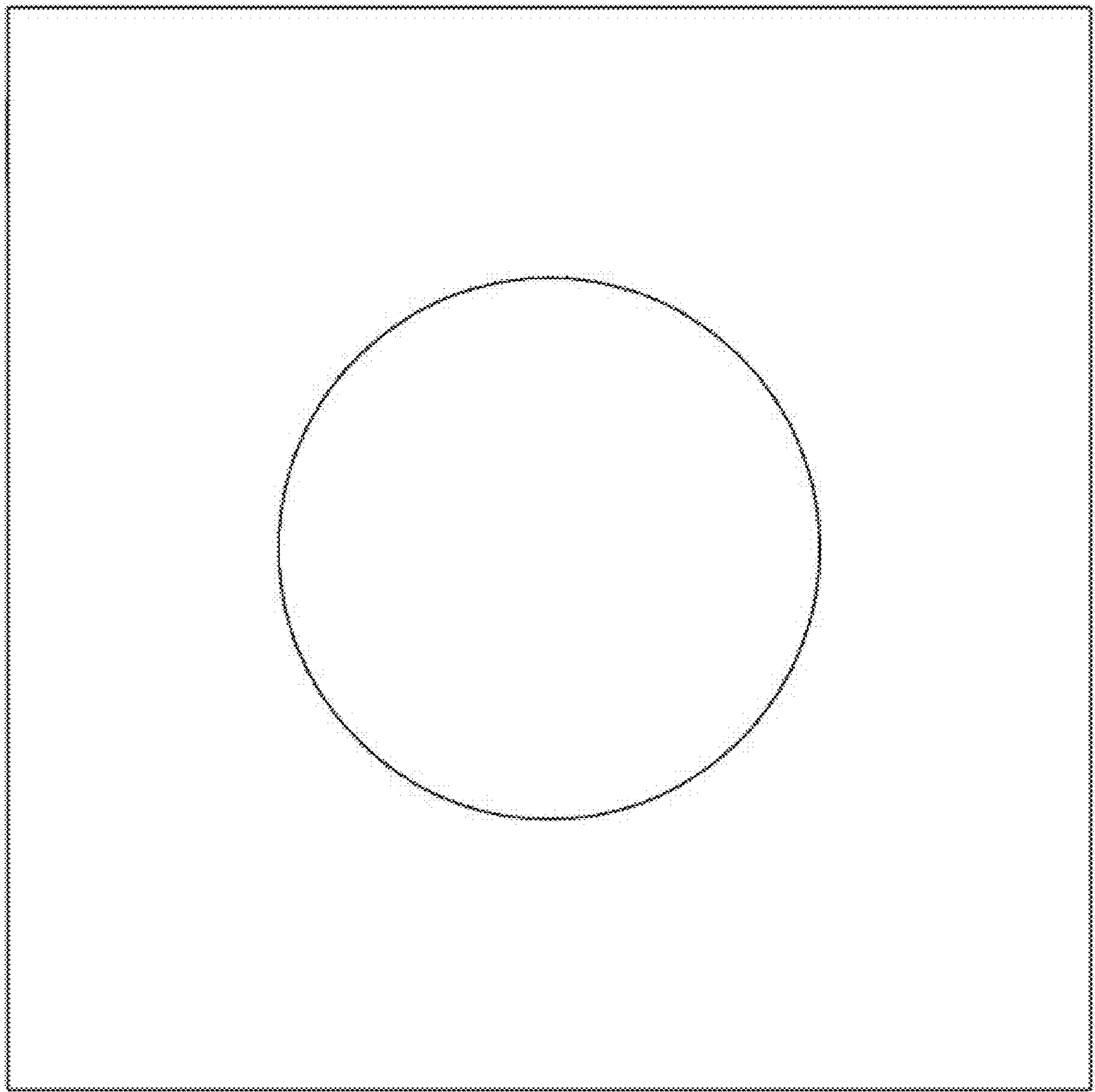
2007/0018295 A1* 1/2007 Kim H01L 21/67132
257/678
2012/0126257 A1* 5/2012 Reihherzer H01L 33/62
257/88
2012/0205689 A1* 8/2012 Welch H01L 25/0753
257/91
2012/0299022 A1* 11/2012 Hussell H01L 25/0753
257/88
2013/0126322 A1* 5/2013 Heiskanen H01H 13/48
200/341
2014/0217433 A1* 8/2014 Tudorica H01L 25/0753
257/89
2014/0291706 A1* 10/2014 Lin H01L 25/0753
257/88
2015/0338041 A1* 11/2015 Wimmer F21K 9/64
362/20

* cited by examiner

1.1



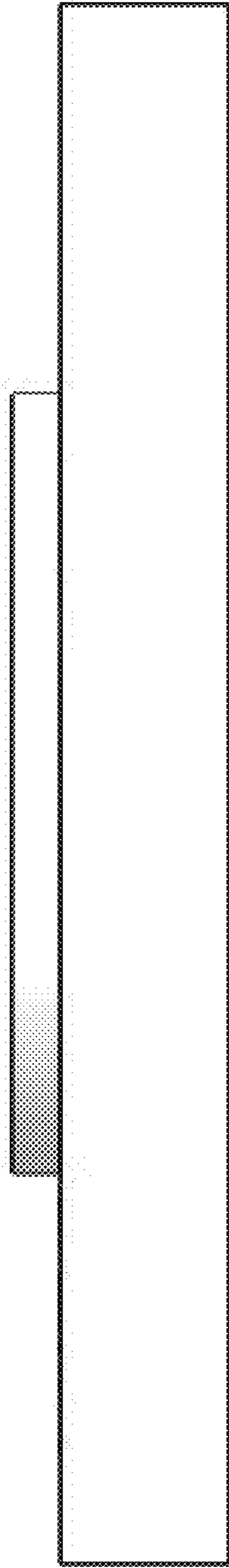
1.2



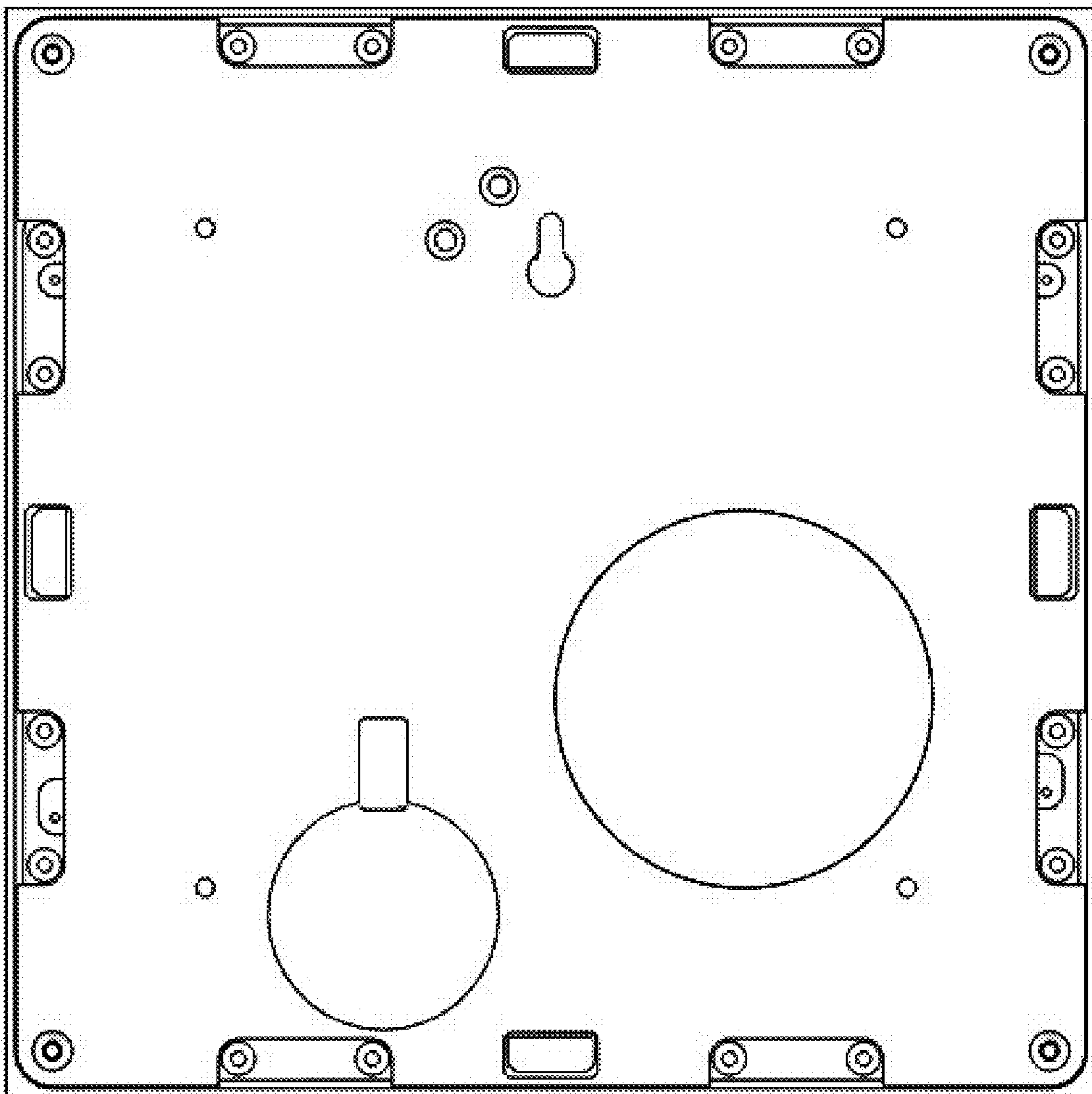
1.3



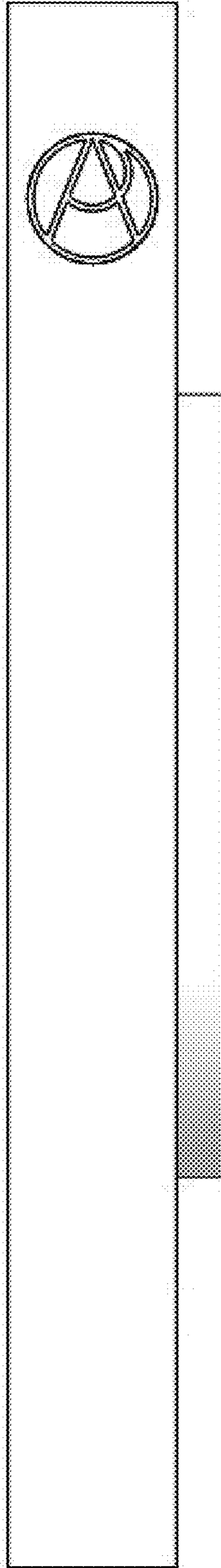
1.4



1.5



1.6



1.7

