



US00D905644S

(12) **United States Design Patent** (10) **Patent No.:** **US D905,644 S**  
**Byrne et al.** (45) **Date of Patent:** **\*\* Dec. 22, 2020**

(54) **ELECTRICAL POWER GROMMET FOR A WORK SURFACE**

5,888,093 A 3/1999 Polgar et al.  
D409,980 S 5/1999 Byrne  
D418,815 S 1/2000 Byrne  
6,024,599 A 2/2000 Stathis et al.  
6,081,356 A 6/2000 Branc et al.

(71) Applicants: **Norman R. Byrne**, Ada, MI (US);  
**Daniel P. Byrne**, Lowell, MI (US);  
**Randell E. Pate**, Jenison, MI (US);  
**Timothy J. Warwick**, Sparta, MI (US);  
**Brandon B. Danks**, Rockford, MI (US)

(Continued)

**OTHER PUBLICATIONS**

(72) Inventors: **Norman R. Byrne**, Ada, MI (US);  
**Daniel P. Byrne**, Lowell, MI (US);  
**Randell E. Pate**, Jenison, MI (US);  
**Timothy J. Warwick**, Sparta, MI (US);  
**Brandon B. Danks**, Rockford, MI (US)

“ApexDesk Power Grommet”. Found online May 26, 2020 at amazon.co.uk. Reference dated Oct. 2, 2015. Retrieved from https://www.amazon.co.uk/ApexDesk-Certified-Two-Outlet-Grommet-Diameter-Black/dp/B0163LEF9Q/ref=sr\_1\_22?dchild=1&keywords=power%2Bgr%E2%80%A6. (Year: 2015).\*

(Continued)

(\*\*) **Term:** **15 Years**

*Primary Examiner* — Kendra Leslie Hamilton

*Assistant Examiner* — Amanda Christensen

(21) **Appl. No.:** **29/685,664**

(74) *Attorney, Agent, or Firm* — Gardner, Linn, Burkhardt & Ondersma LLP

(22) **Filed:** **Mar. 29, 2019**

(51) **LOC (12) Cl.** ..... **13-03**

(52) **U.S. Cl.**  
USPC ..... **D13/139.4**

(58) **Field of Classification Search**  
USPC ..... D13/107, 108, 110, 133, 137.1, 137.2,  
D13/137.3, 137.4, 138.1, 138.2, 139.1,  
D13/139.2, 139.3, 139.4, 139.6, 139.7,  
D13/139.8, 146, 154, 156, 158, 177, 184,  
D13/199; D14/432, 433  
CPC ..... H01R 13/46; H01R 24/76; H01R 13/44  
See application file for complete search history.

(57) **CLAIM**

The ornamental design for an electrical power grommet for a work surface, as shown and described.

**DESCRIPTION**

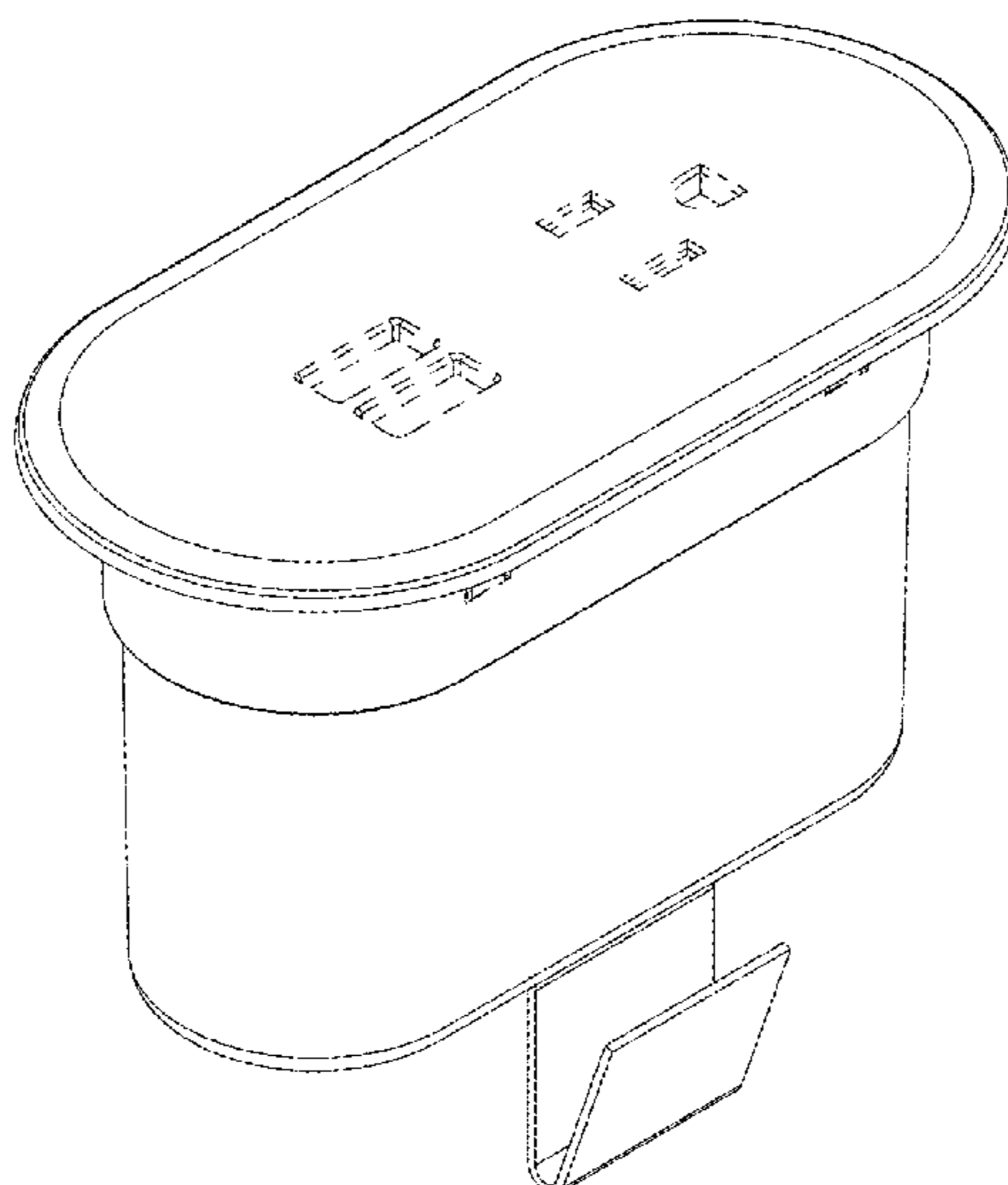
FIG. 1 is a top, left, front perspective view of an electrical power grommet for a work surface, showing our new design; FIG. 2 is a top, left, rear perspective view thereof; FIG. 3 is a bottom, right, front perspective view thereof; FIG. 4 is a bottom, left, front perspective view thereof; FIG. 5 is a top plan view thereof; FIG. 6 is a bottom plan view thereof; FIG. 7 is a front elevation thereof; FIG. 8 is a rear elevation thereof; FIG. 9 is a left side elevation thereof; and, FIG. 10 is a right side elevation thereof. In the drawings, the broken lines depict unclaimed subject matter only and form no part of the claimed design.

(56) **References Cited**

**U.S. PATENT DOCUMENTS**

D78,966 S 7/1929 Conner  
4,453,059 A 6/1984 Fukushima  
D325,723 S 4/1992 Gary et al.  
D362,841 S 10/1995 Roza  
D389,459 S 1/1998 Byrne  
5,705,772 A 1/1998 Brown  
D405,051 S \* 2/1999 Byrne ..... D13/139.4  
D405,416 S 2/1999 Byrne

**1 Claim, 5 Drawing Sheets**



(56)

References Cited

U.S. PATENT DOCUMENTS

6,296,522 B1 10/2001 Ho  
 6,307,152 B1 10/2001 Bonilla et al.  
 6,327,129 B1\* 12/2001 Oertel ..... H01T 1/14  
 361/117  
 6,492,591 B1 12/2002 Metcalf  
 6,923,684 B2 8/2005 Strayer  
 D514,518 S 2/2006 Strayer  
 7,053,296 B2 5/2006 Drane et al.  
 D534,495 S 1/2007 Gershfeld  
 D537,039 S 2/2007 Pincek  
 D553,306 S 10/2007 Hansen  
 7,605,330 B1 10/2009 Black et al.  
 D610,435 S\* 2/2010 Schwartz ..... D13/139.4  
 7,806,723 B2 10/2010 Chong et al.  
 8,021,185 B1 9/2011 Mortun  
 D647,853 S 11/2011 Kan  
 D653,215 S 1/2012 Lam  
 D673,912 S\* 1/2013 Benedetti ..... D13/137.2  
 D682,212 S 5/2013 Udagawa et al.  
 D689,825 S\* 9/2013 Wenji ..... D13/162  
 D690,648 S\* 10/2013 Ireland ..... D13/108  
 D714,726 S 10/2014 Byrne et al.  
 D720,305 S 12/2014 Wenji  
 9,124,056 B1 9/2015 Lewis, Jr.  
 9,219,341 B1 12/2015 O'Keefe et al.  
 D752,517 S\* 3/2016 Scott ..... D13/139.4  
 9,559,472 B2 1/2017 Chien  
 D779,435 S\* 2/2017 Callahan ..... H01R 24/78  
 D13/139.4  
 D788,046 S 5/2017 Oksengendler et al.

D794,578 S 8/2017 Oksengendler et al.  
 D812,024 S 3/2018 Lewis et al.  
 D826,873 S 8/2018 Shim et al.  
 D877,091 S\* 3/2020 Rath ..... D13/169  
 D880,432 S\* 4/2020 Tang ..... D13/169  
 2003/0019258 A1\* 1/2003 Irgens ..... F41A 17/02  
 70/231  
 2006/0258195 A1 11/2006 Schwartz et al.  
 2007/0275594 A1 11/2007 Greenberg  
 2011/0057576 A1\* 3/2011 Otake ..... H05B 45/14  
 315/291  
 2011/0108403 A1\* 5/2011 Kukita ..... H01H 13/28  
 200/341  
 2013/0210252 A1 8/2013 Ilyes

OTHER PUBLICATIONS

“Automatic Hydraulic Power Socket”. Found online May 26, 2020 at amazon.co.uk. Reference dated Mar. 16, 2018. Retrieved from [https://www.amazon.co.uk/MPS-Automatic-Hydraulic-Charging-Telephone/dp/B07NXPHDGC/ref=sr\\_1\\_49\\_sspa](https://www.amazon.co.uk/MPS-Automatic-Hydraulic-Charging-Telephone/dp/B07NXPHDGC/ref=sr_1_49_sspa). (Year: 2018).\*

“Byrne Electrical Power Grommet”. Found online May 26, 2020 at byrne.com. Reference dated Oct. 10, 2016. Retrieved from <https://www.byrne.com/power-grommet>. (Year: 2016).\*

Co-pending and commonly-owned Design U.S. Appl. No. 29/650,793, filed Jun. 8, 2018, including replacement drawings filed Sep. 25, 2019.

\* cited by examiner

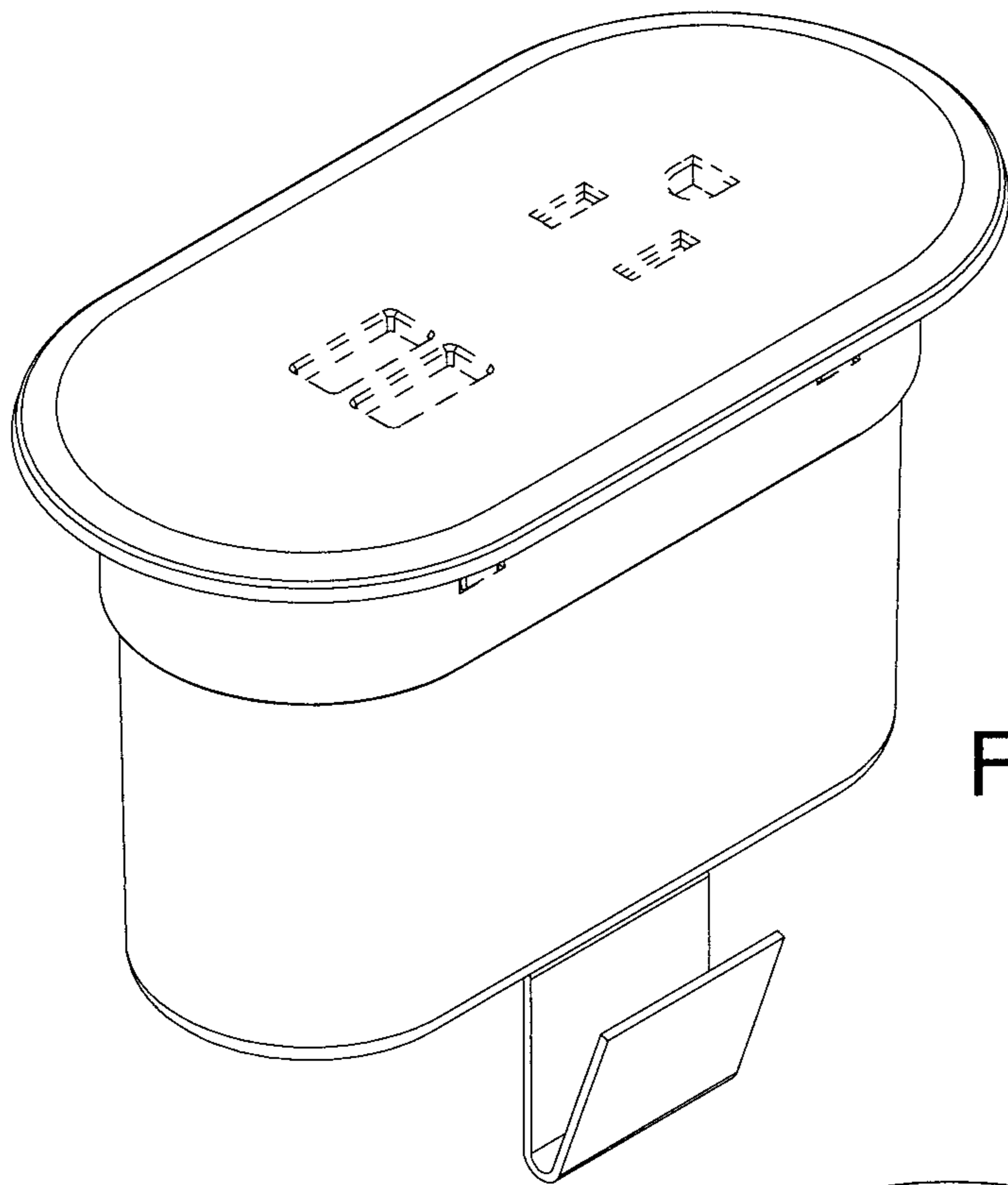


FIG. 1

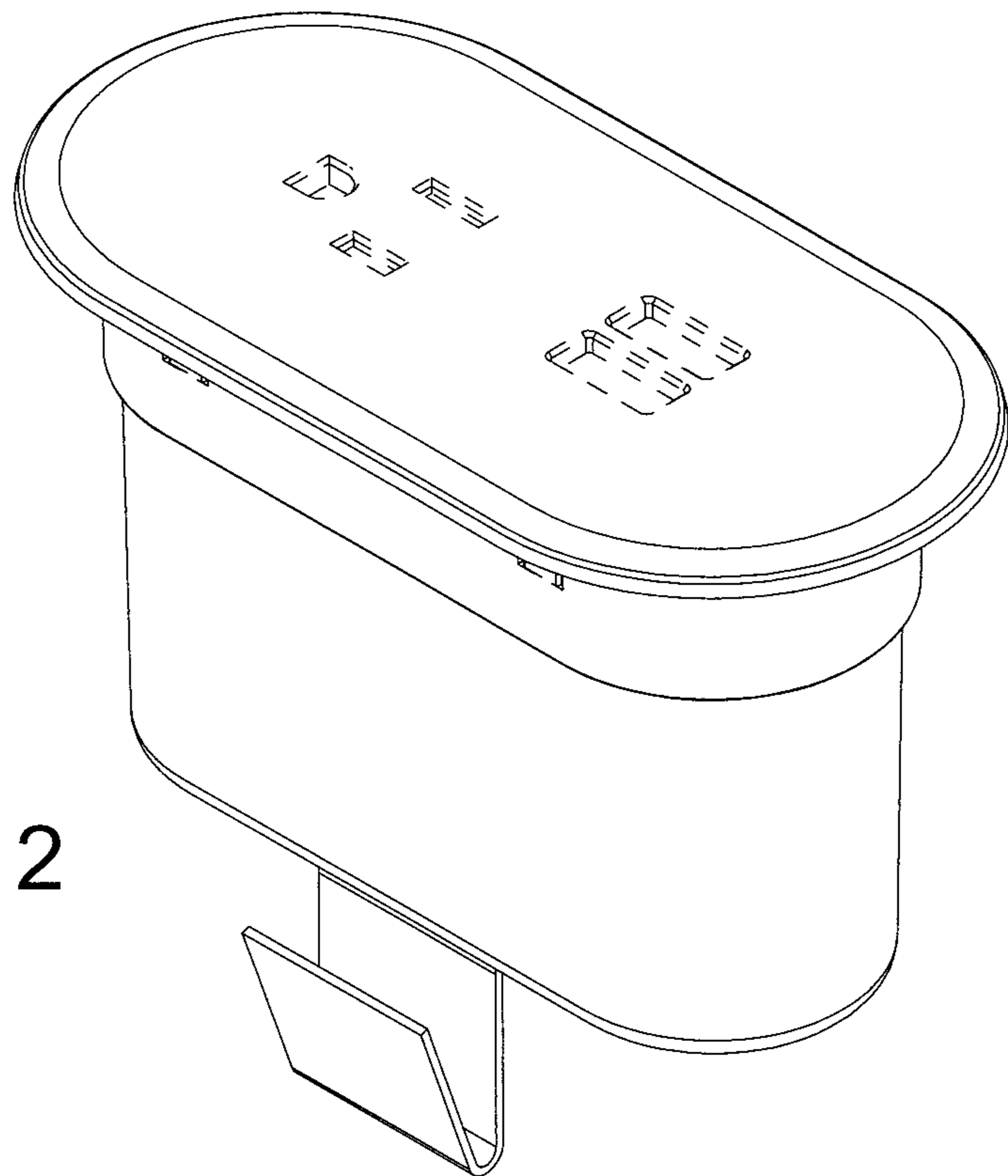


FIG. 2

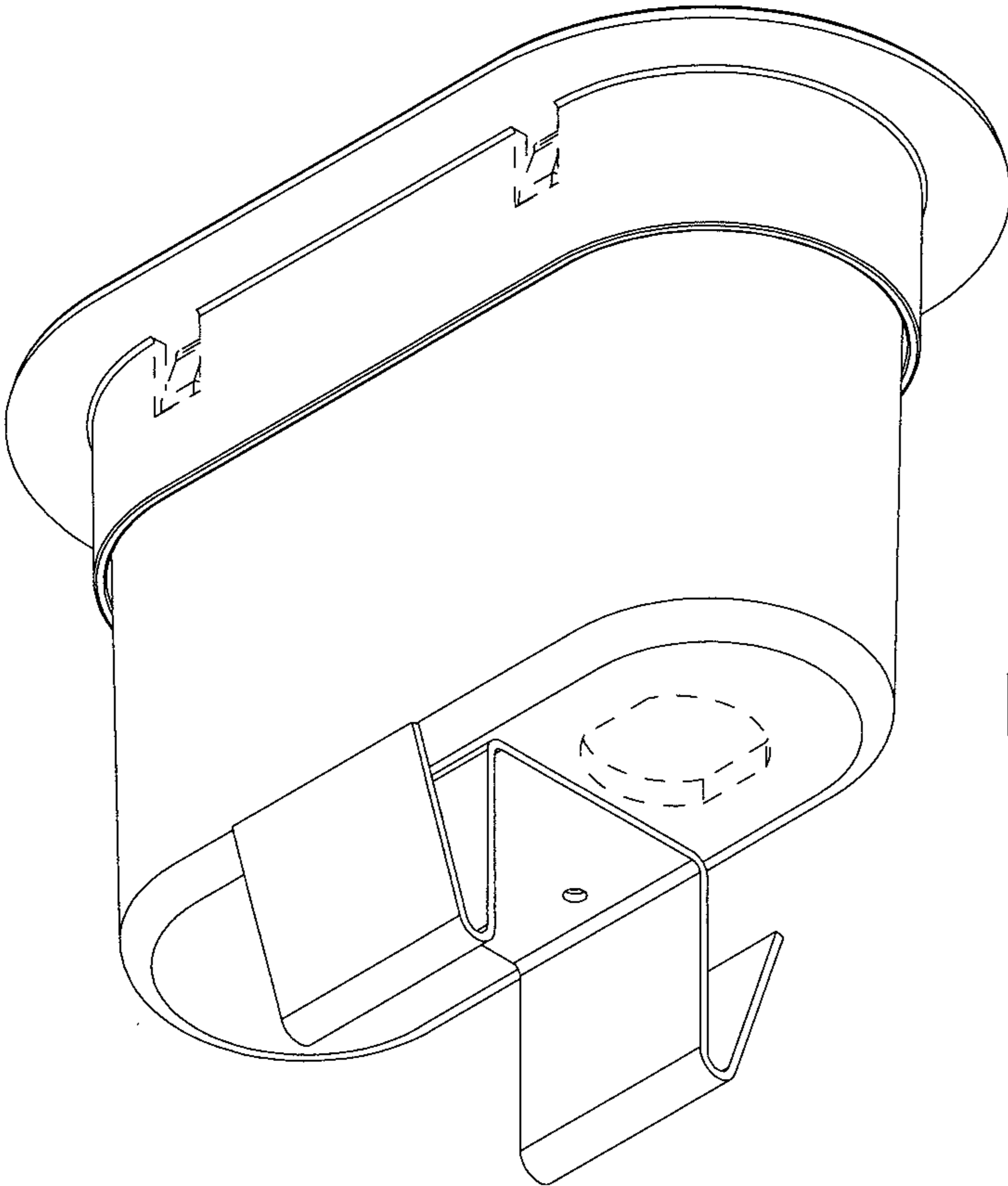


FIG. 3

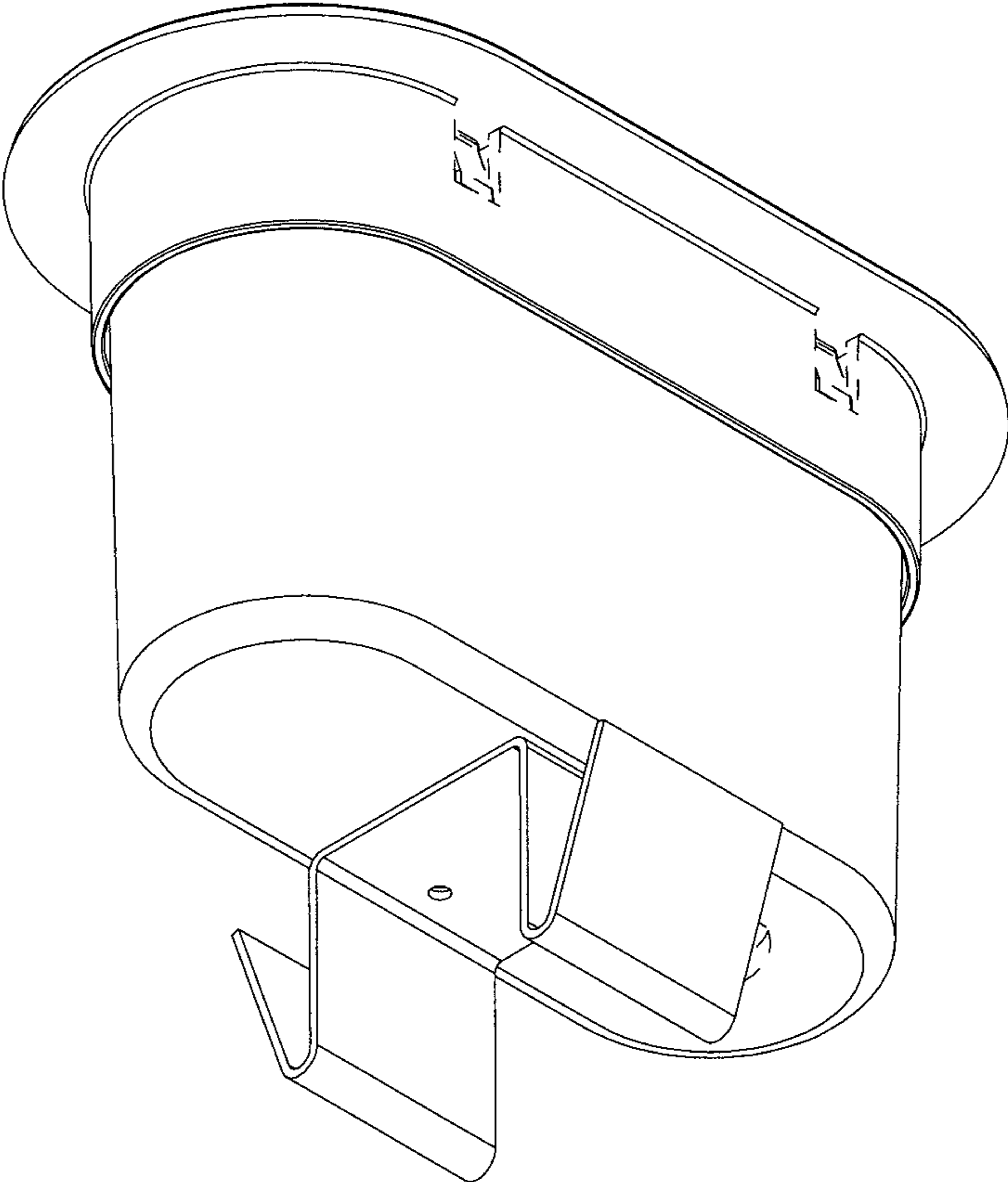


FIG. 4

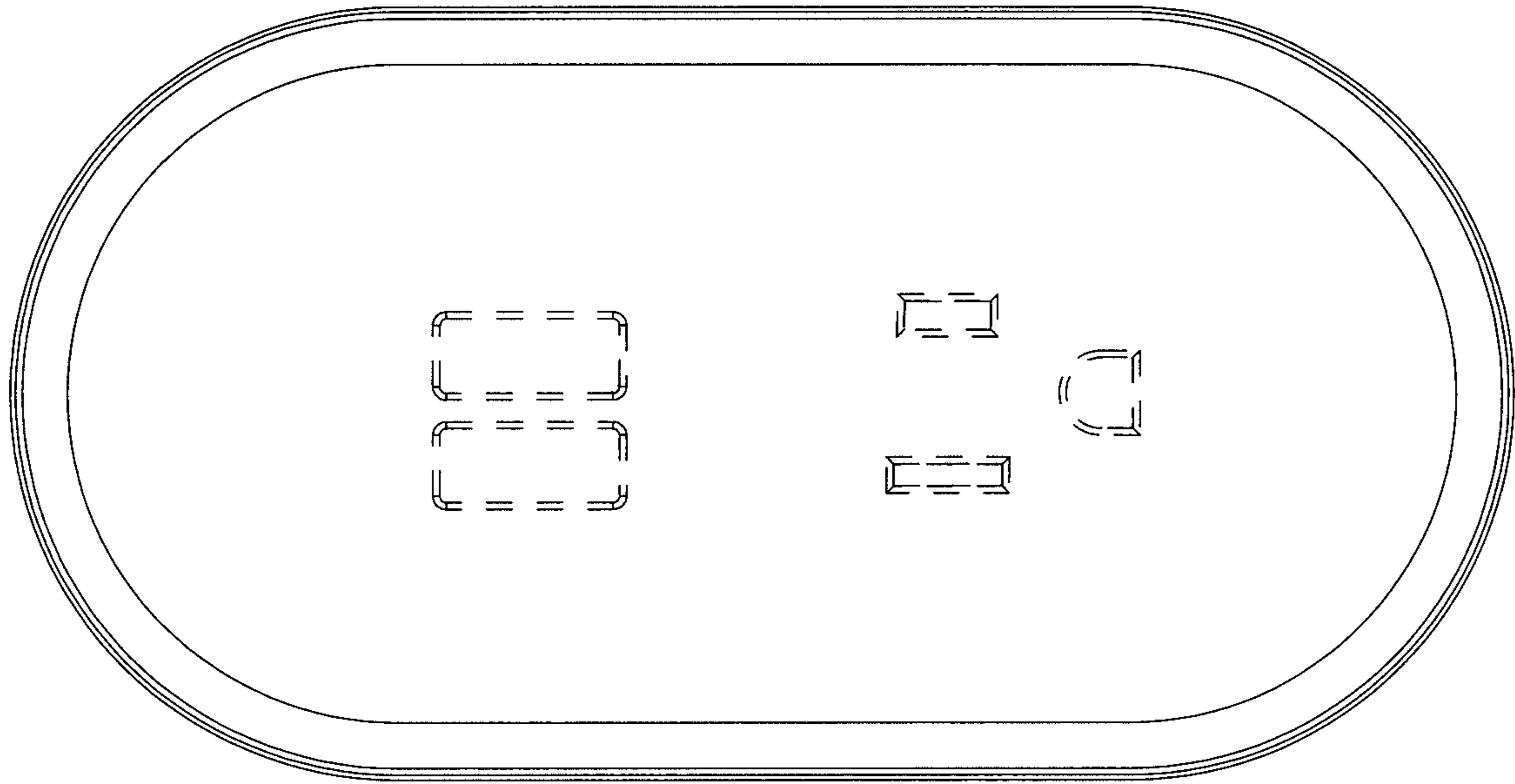


FIG. 5

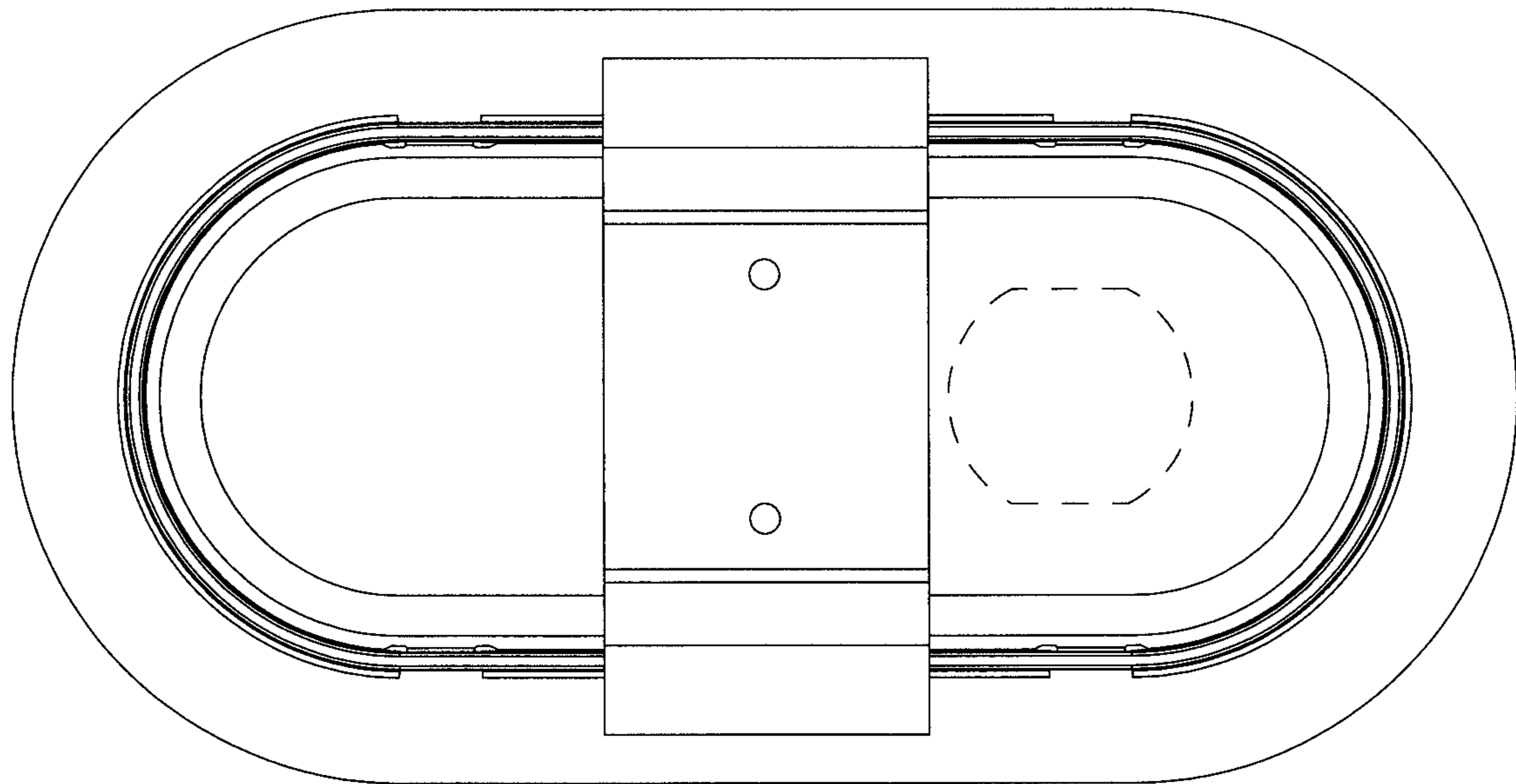


FIG. 6

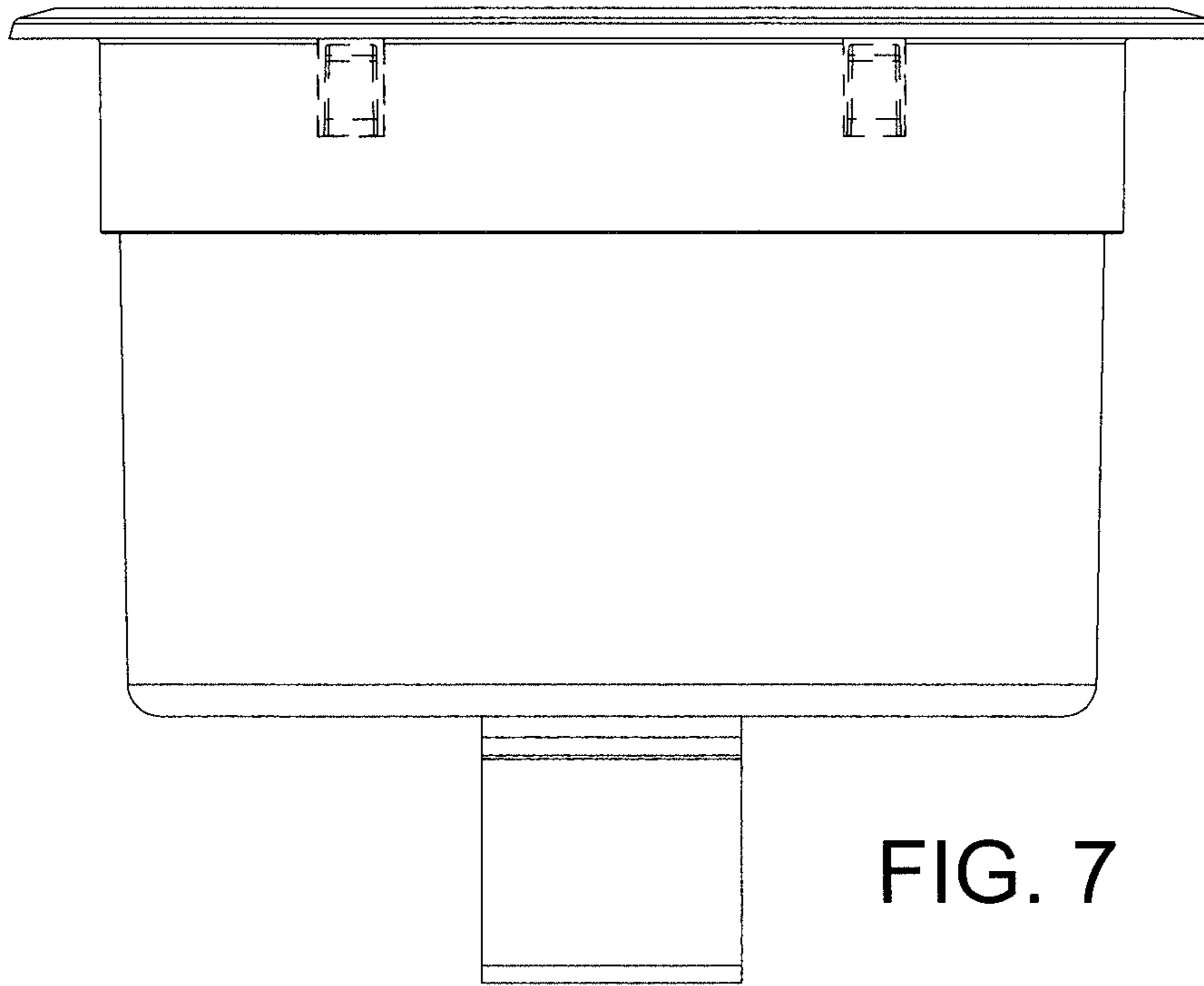


FIG. 7

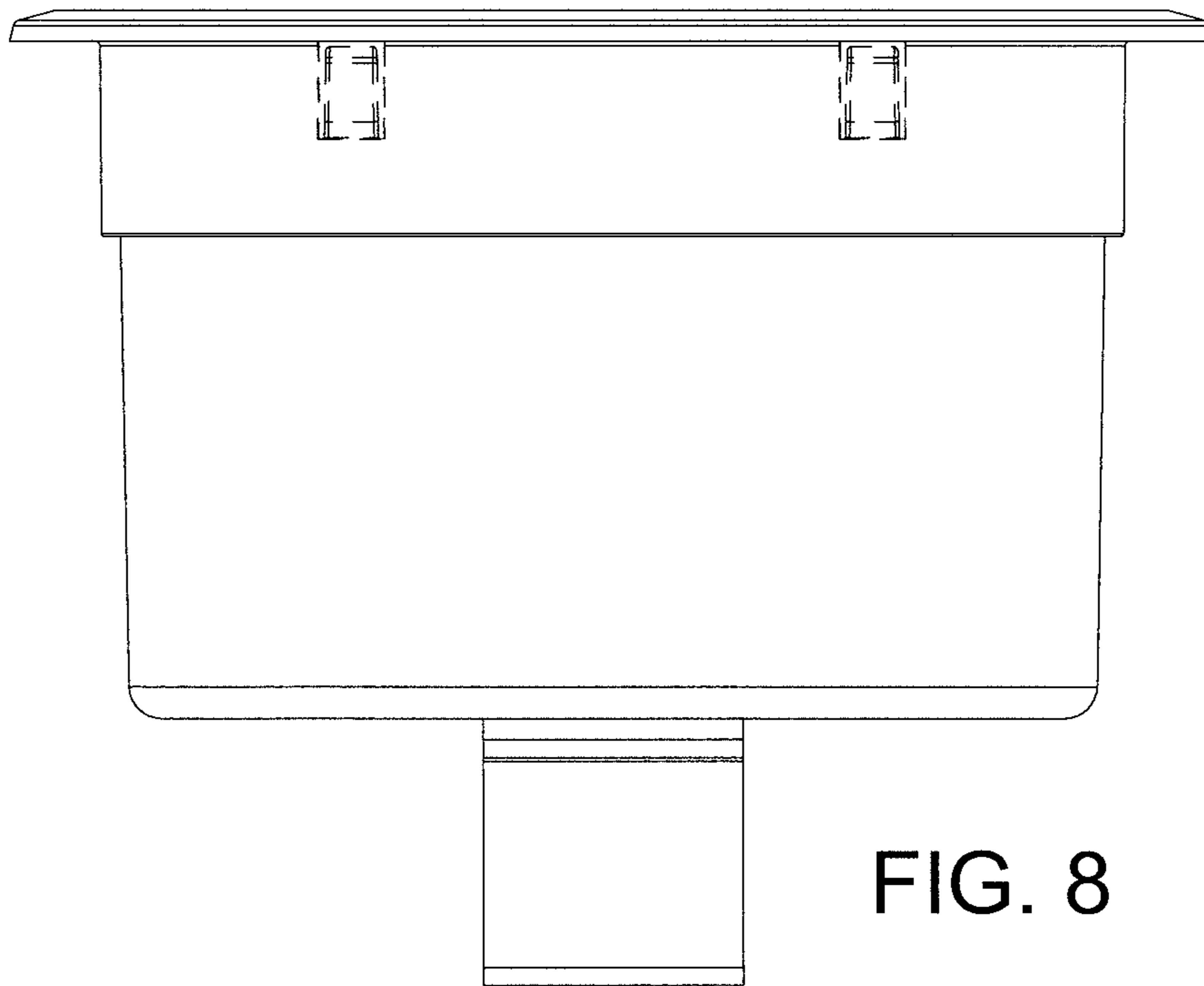


FIG. 8

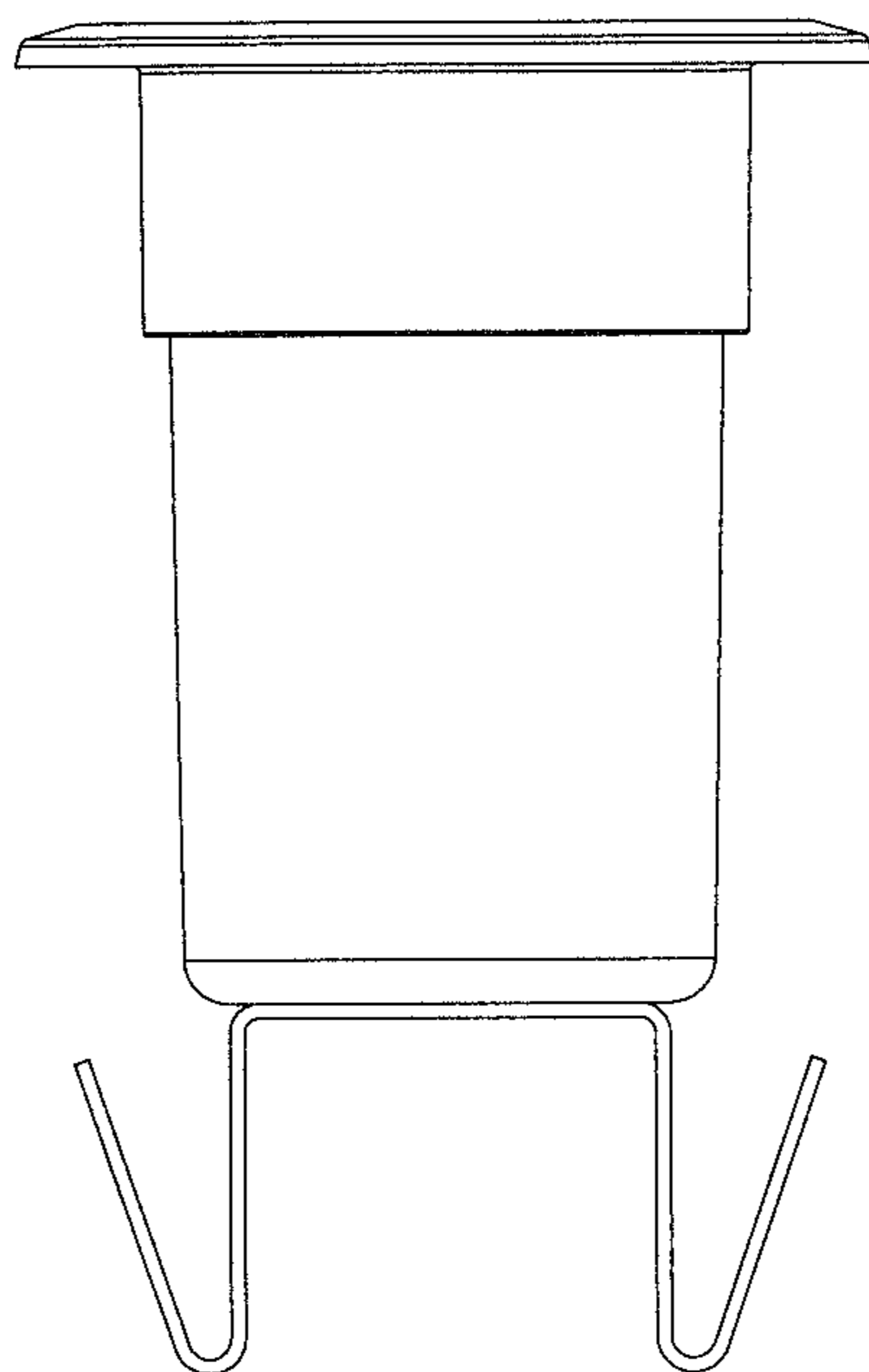


FIG. 9

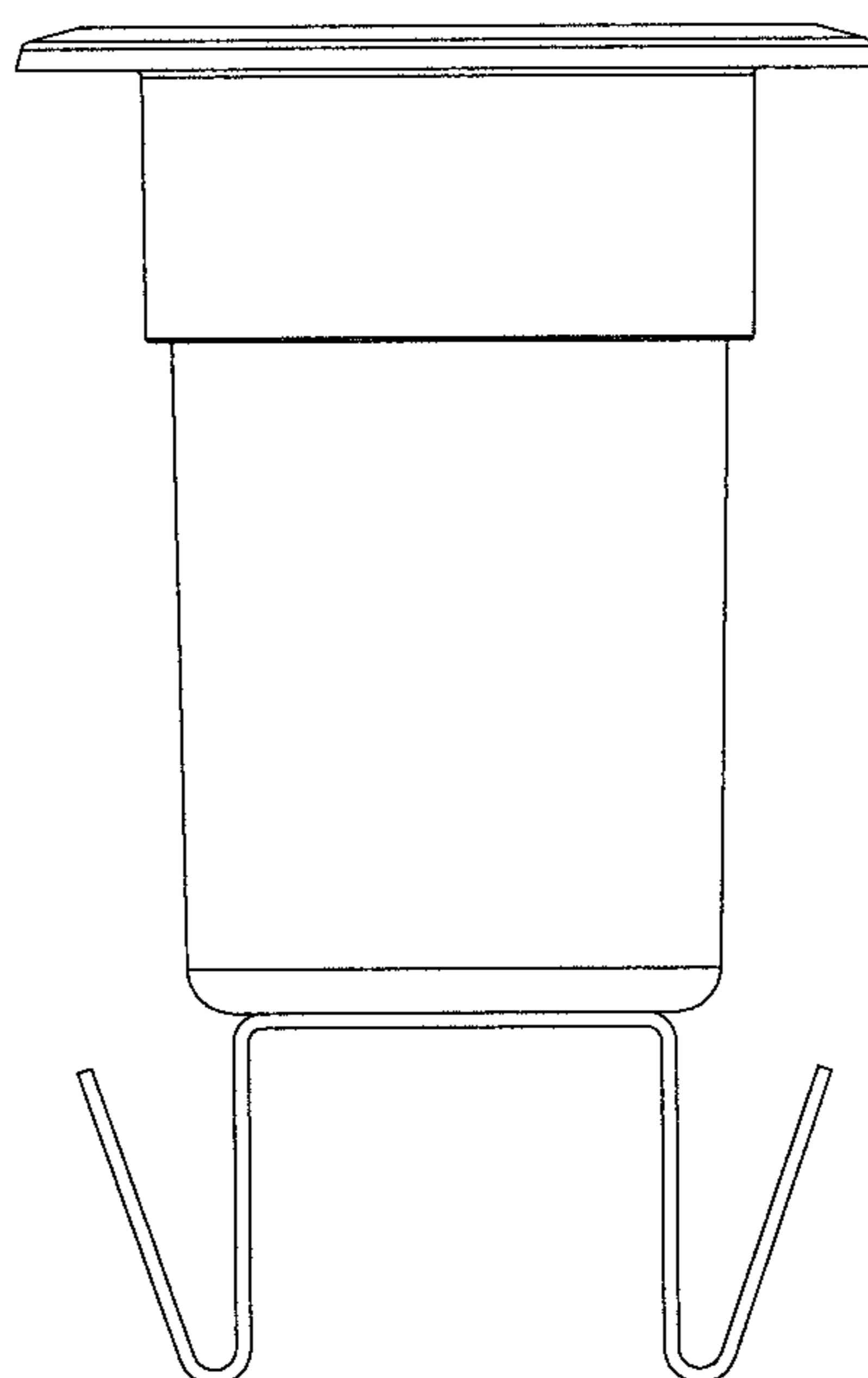


FIG. 10