



US00D905642S

(12) **United States Design Patent**
Land et al.

(10) **Patent No.:** **US D905,642 S**
(45) **Date of Patent:** **** Dec. 22, 2020**

(54) **ELECTRICAL CONNECTOR**

(71) Applicants: **RED.COM, LLC**, Irvine, CA (US);
ODU GmbH & Co KG, Muehldorf am
Inn (DE)

(72) Inventors: **Peter Jarred Land**, Los Angeles, CA
(US); **Matthew Tremblay**, Laguna
Beach, CA (US); **Georg Pfister**,
Muehldorf (DE)

(73) Assignees: **RED.COM, LLC**, Irvine, CA (US);
ODU GmbH & Co KG, Muehldorf am
Inn (DE)

(**) Term: **15 Years**

(21) Appl. No.: **29/617,296**

(22) Filed: **Sep. 13, 2017**

(51) **LOC (12) Cl.** **13-03**

(52) **U.S. Cl.**
USPC **D13/133**

(58) **Field of Classification Search**
USPC D13/110, 112, 118, 123, 133, 146-149,
D13/154-156, 173, 184, 199
(Continued)

(56) **References Cited**

U.S. PATENT DOCUMENTS

4,486,068 A * 12/1984 Ghigliotti H01R 13/052
439/825
D327,318 S * 6/1992 Dudar D24/112
(Continued)

Primary Examiner — Angela J Lee

Assistant Examiner — Shawn T Gingrich

(74) *Attorney, Agent, or Firm* — Knobbe, Martens, Olson
& Bear LLP

(57) **CLAIM**

The ornamental design for an electrical connector, as shown
show and described.

DESCRIPTION

FIG. 1 is a front perspective view of an electrical connector;

FIG. 2 is a rear perspective view of the electrical connector
of FIG. 1;

FIG. 3 is a front elevational view of the electrical connector
of FIG. 1;

FIG. 4 is a cross-sectional view of the electrical connector
of FIG. 1 along the line 4-4 of FIG. 3;

FIG. 5 is a rear elevational view of the electrical connector
of FIG. 1;

FIG. 6 is a left-side elevational view of the electrical
connector of FIG. 1;

FIG. 7 is a right-side elevational view of the electrical
connector of FIG. 1;

FIG. 8 is a top plan view of the electrical connector of FIG.
1;

FIG. 9 is a bottom plan view of the electrical connector of
FIG. 1;

FIG. 10 is a front perspective view of an alternative embodi-
ment of an electrical connector;

FIG. 11 is a rear perspective view of the electrical connector
of FIG. 10;

FIG. 12 is a front elevational view of the electrical connector
of FIG. 10;

FIG. 13 is a cross-sectional view of the electrical connector
of FIG. 10 along the line 13-13 of FIG. 12;

FIG. 14 is a rear elevational view of the electrical connector
of FIG. 10;

FIG. 15 is a left-side elevational view of the electrical
connector of FIG. 10;

FIG. 16 is a right-side elevational view of the electrical
connector of FIG. 10;

FIG. 17 is a top plan view of the electrical connector of FIG.
10;

FIG. 18 is a bottom plan view of the electrical connector of
FIG. 10;

FIG. 19 is a front perspective view of an alternative embodi-
ment of an electrical connector;

FIG. 20 is a rear perspective view of the electrical connector
of FIG. 19;

FIG. 21 is a front elevational view of the electrical connector
of FIG. 19;

FIG. 22 is a cross-sectional view of the electrical connector
of FIG. 19 along the line 22-22 of FIG. 21;

FIG. 23 is a rear elevational view of the electrical connector
of FIG. 19;

(Continued)

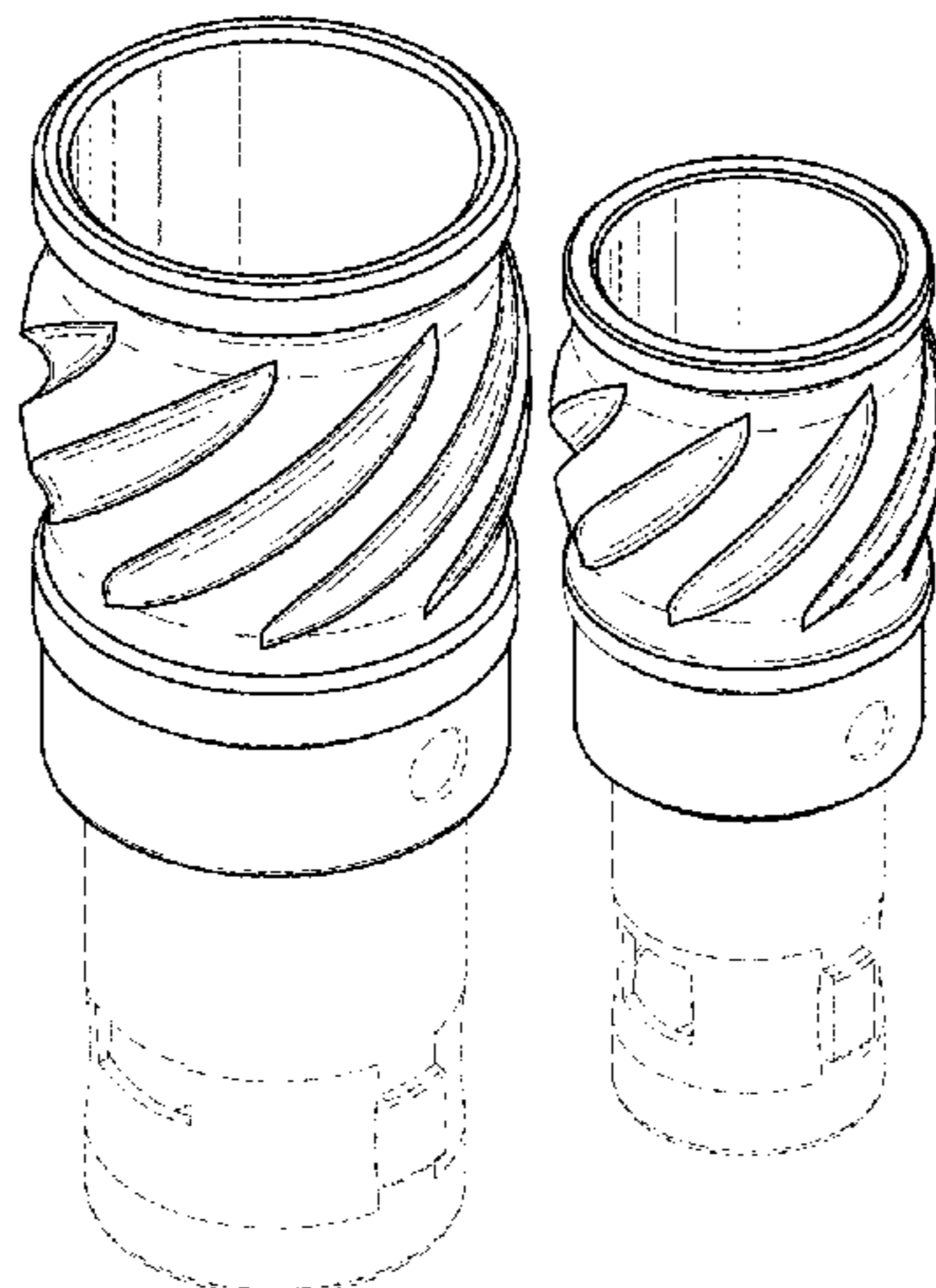


FIG. 24 is a left-side elevational view of the electrical connector of FIG. 19;
 FIG. 25 is a right-side elevational view of the electrical connector of FIG. 19;
 FIG. 26 is a top plan view of the electrical connector of FIG. 19;
 FIG. 27 is a bottom plan view of the electrical connector of FIG. 19;
 FIG. 28 is a front perspective view of an electrical connector;
 FIG. 29 is a rear perspective view of the electrical connector of FIG. 28;
 FIG. 30 is a front elevational view of the electrical connector of FIG. 28;
 FIG. 31 is a cross-sectional view of the electrical connector of FIG. 28 along the line 31-31 of FIG. 30;
 FIG. 32 is a rear elevational view of the electrical connector of FIG. 28;
 FIG. 33 is a left-side elevational view of the electrical connector of FIG. 28;
 FIG. 34 is a right-side elevational view of the electrical connector of FIG. 28;
 FIG. 35 is a top plan view of the electrical connector of FIG. 28; and,
 FIG. 36 is a bottom plan view of the electrical connector of FIG. 28.
 The broken lines in the drawings illustrate portions of the electrical connector that form no part of the claimed design.

1 Claim, 28 Drawing Sheets

(58) **Field of Classification Search**
 CPC H01R 12/00; H01R 12/71; H01R 12/712;

H01R 13/50; H01R 13/516; H01R 13/52;
 H01R 13/631; H01R 13/64; H01R
 13/6461; H01R 13/648; H01R 13/6581;
 H01R 24/06; H01R 24/60; H01R 24/70;
 H01R 4/18; H01R 4/48; H01R 9/05;
 H01R 9/24; H01R 13/00; H01R 13/03;
 H01R 13/04; H01R 13/11; H01R 13/115;
 H01R 13/422; H01R 13/428; H01R
 13/642; H01R 43/16; H01R 43/46

See application file for complete search history.

(56)

References Cited

U.S. PATENT DOCUMENTS

D430,293	S	*	8/2000	Jansen	D24/129
D458,351	S	*	6/2002	Chen	D23/262
D458,353	S	*	6/2002	Chen	D23/262
D458,904	S	*	6/2002	Montena	D13/154
D460,740	S	*	7/2002	Montena	D13/154
D460,947	S	*	7/2002	Montena	D13/154
D460,948	S	*	7/2002	Montena	D13/154
D461,166	S	*	8/2002	Montena	D13/133
D537,416	S	*	2/2007	Fortin	D13/156
D538,750	S	*	3/2007	Montena	D13/133
D570,788	S	*	6/2008	Lee	D13/156
D570,789	S	*	6/2008	Lee	D13/156
D584,235	S	*	1/2009	Montena	D13/133
D594,421	S	*	6/2009	Lee	D13/156
D595,650	S	*	7/2009	Di Stefano	D13/133
D817,895	S	*	5/2018	Uchida	D13/156
10,247,384	B1	*	4/2019	Feinbloom	F21V 5/008
2014/0329421	A1	*	11/2014	Tatzel	H01R 12/714 439/816
2019/0305455	A1	*	10/2019	Uppleger	H01R 43/16

* cited by examiner

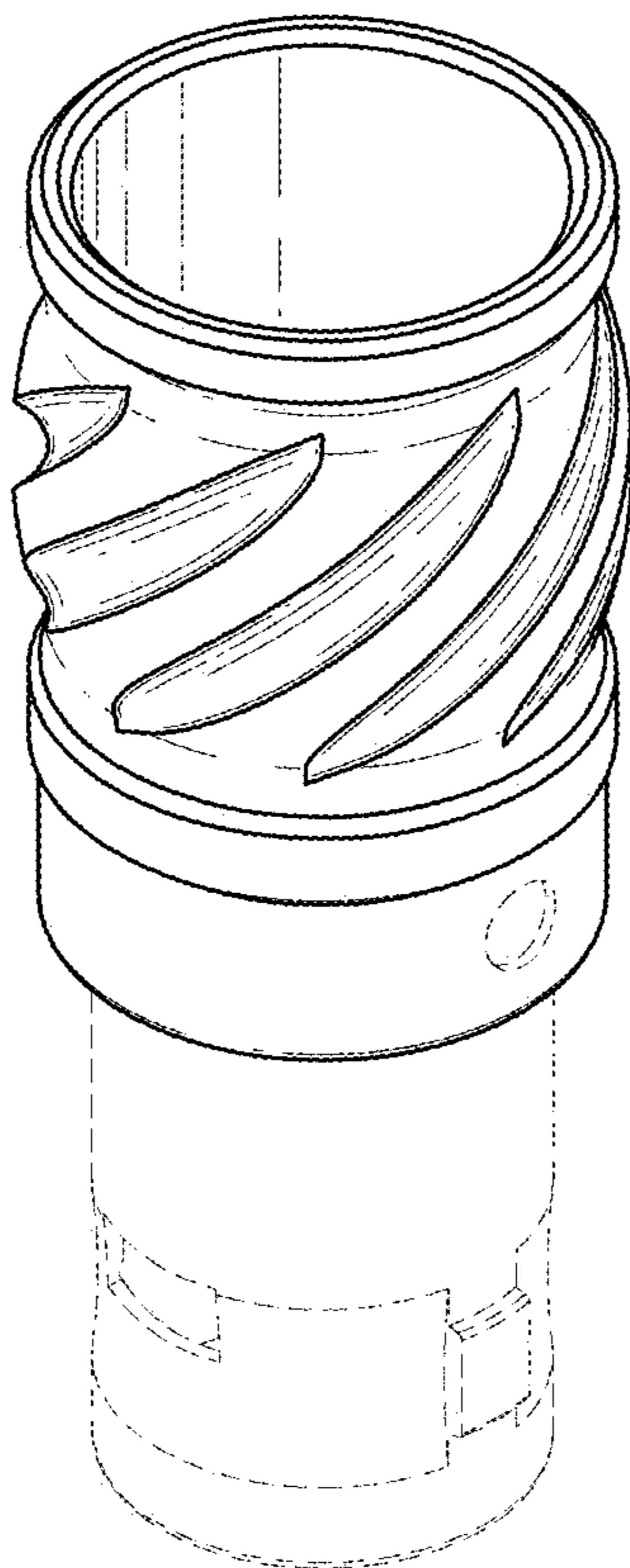


FIG. 1

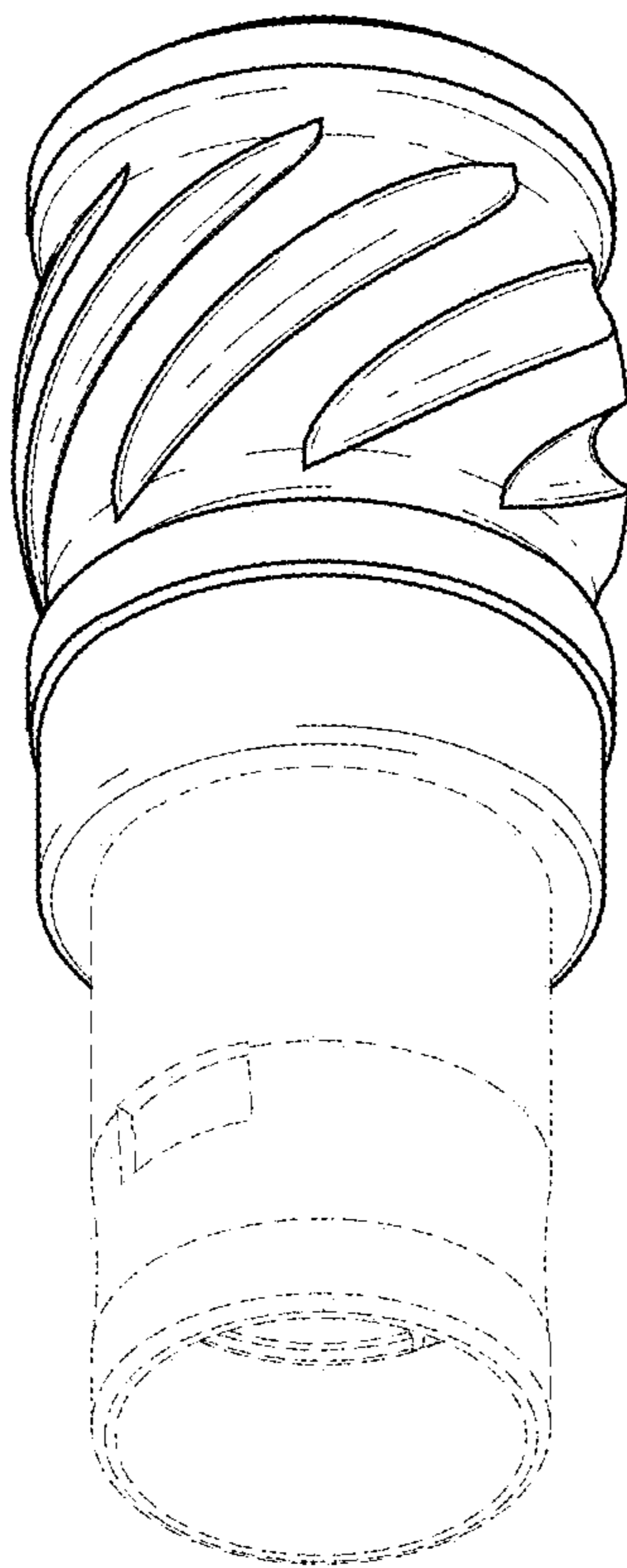


FIG. 2

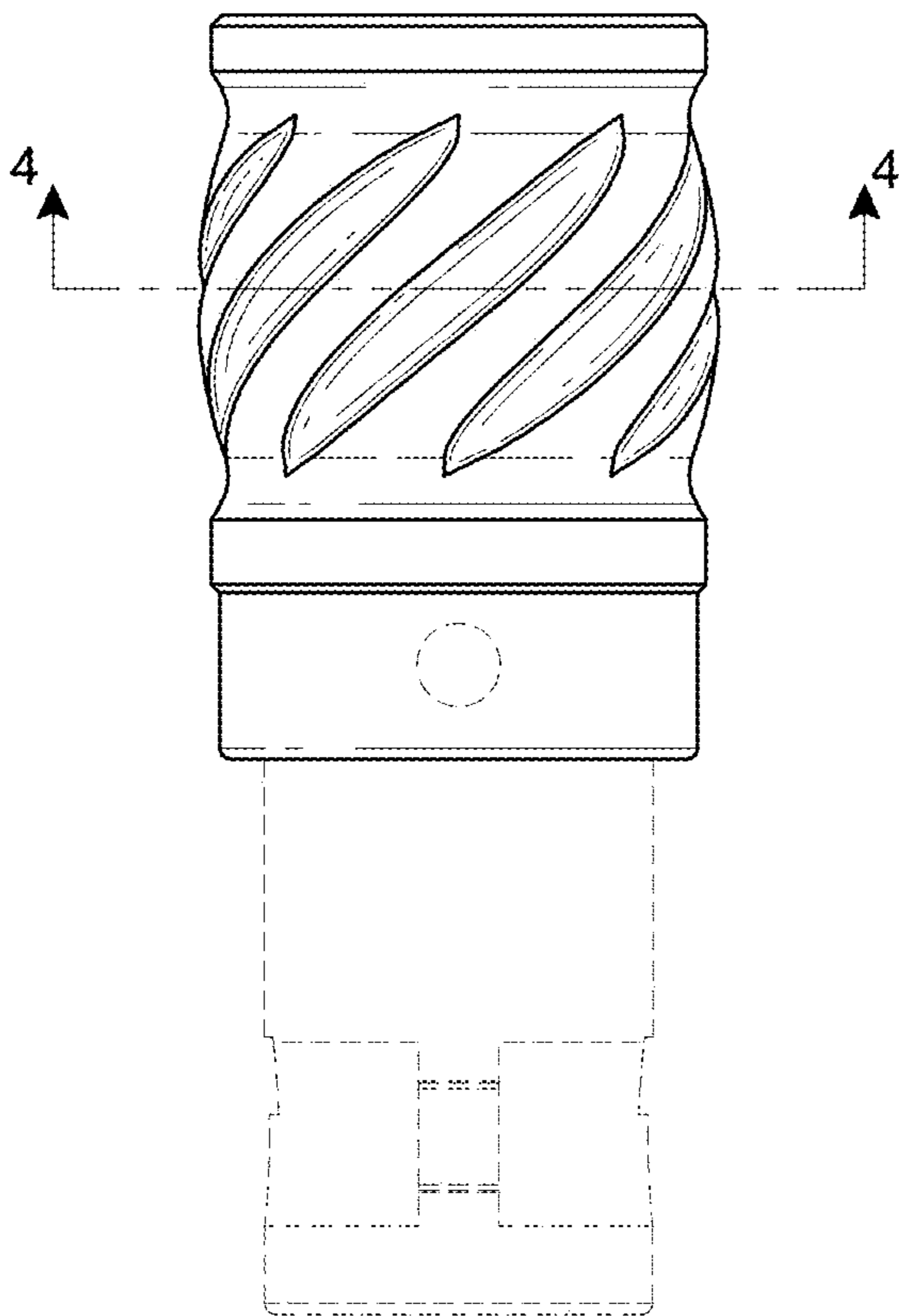


FIG. 3

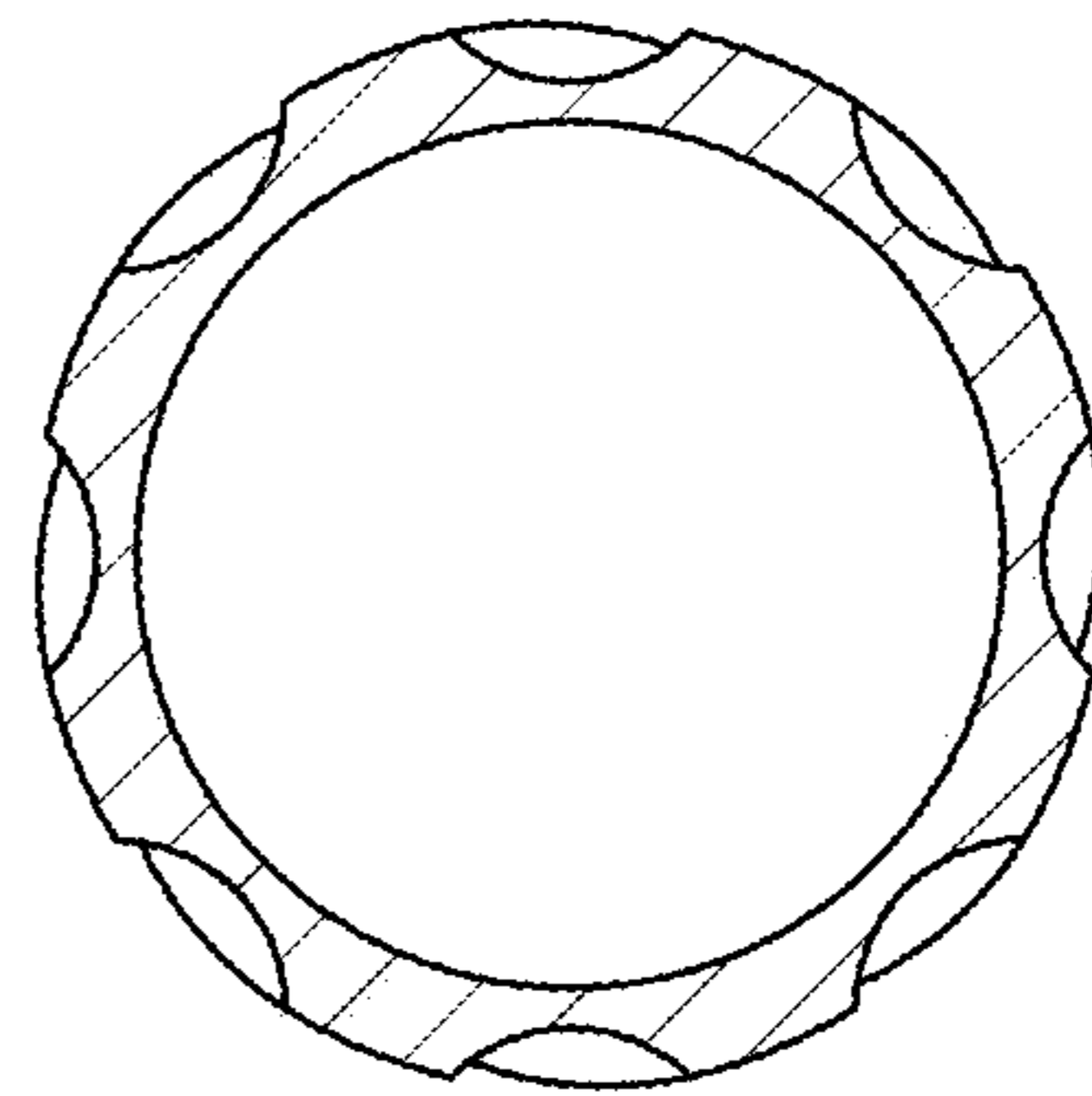


FIG. 4

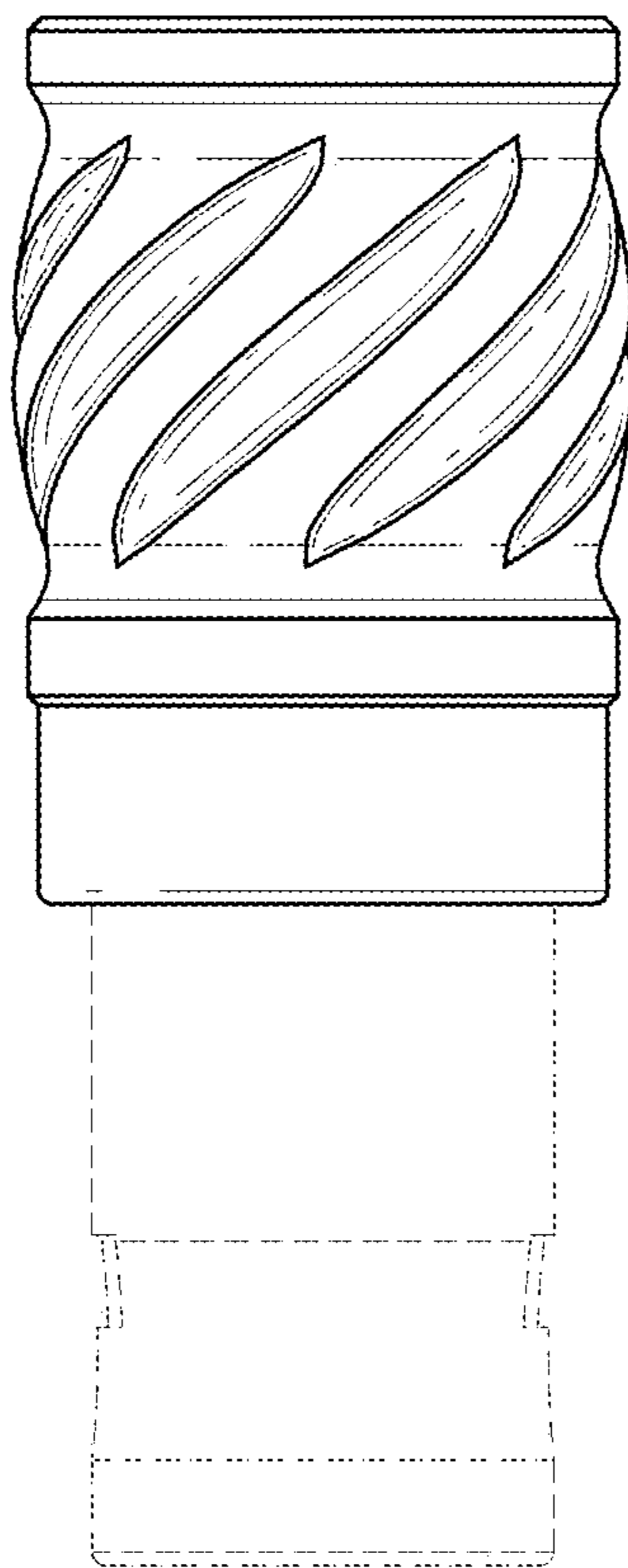


FIG. 5

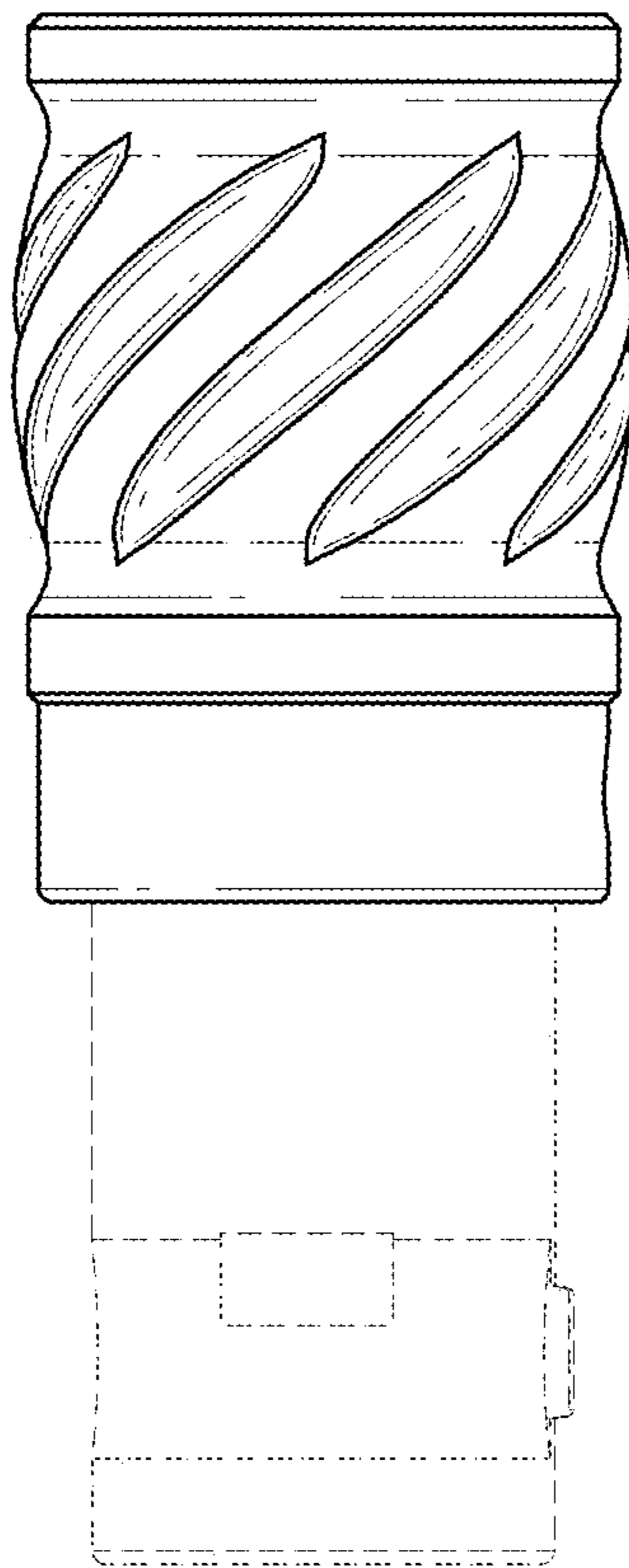


FIG. 6

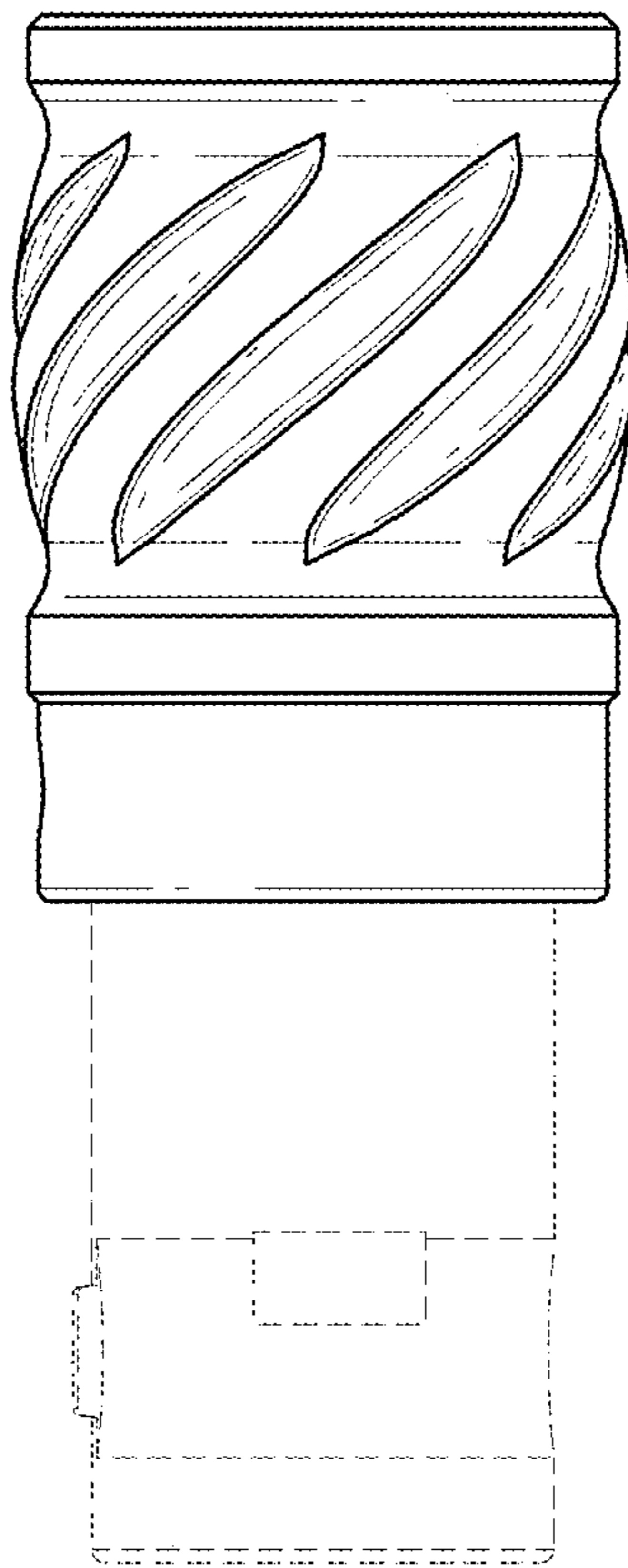


FIG. 7

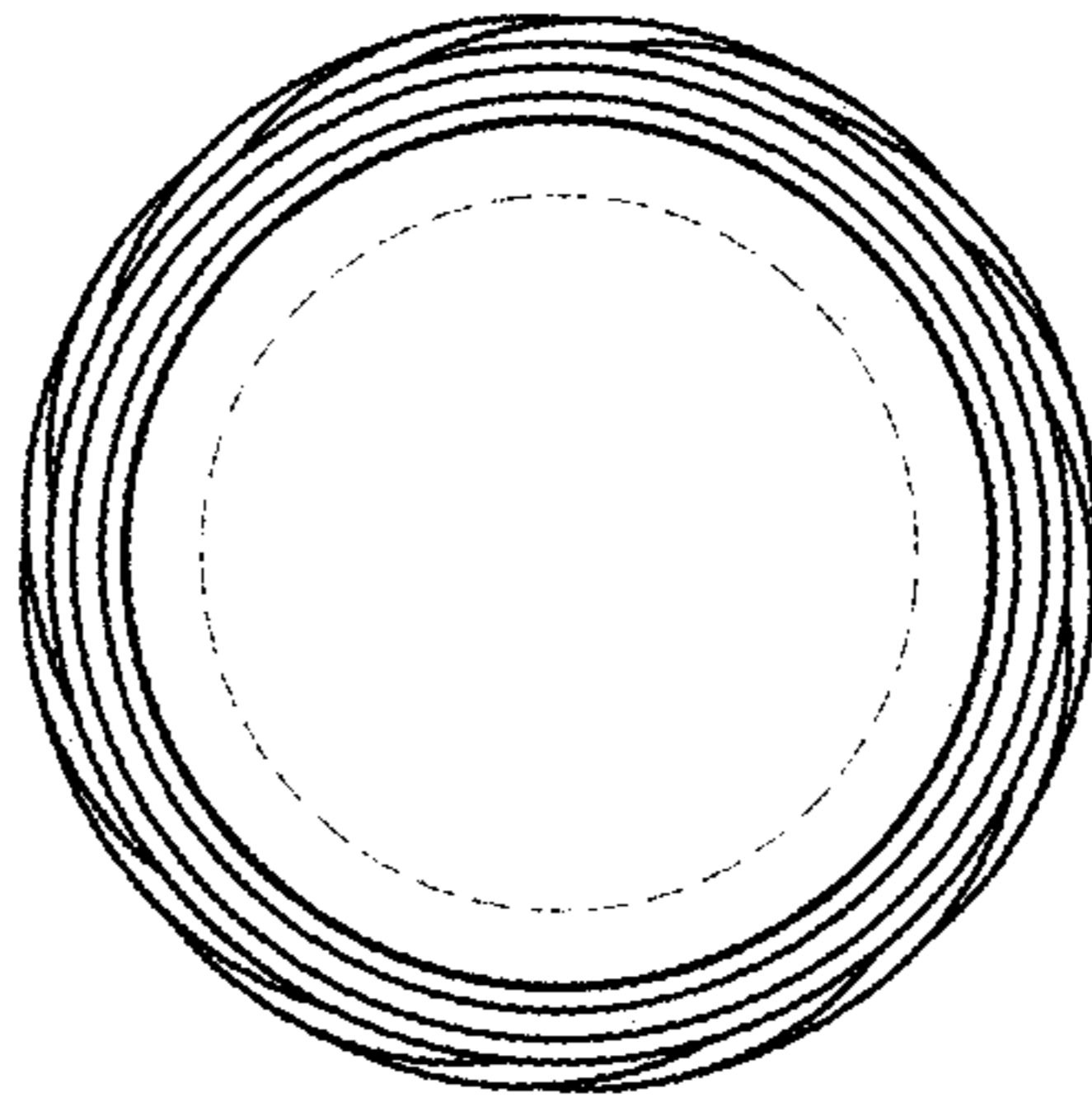


FIG. 8

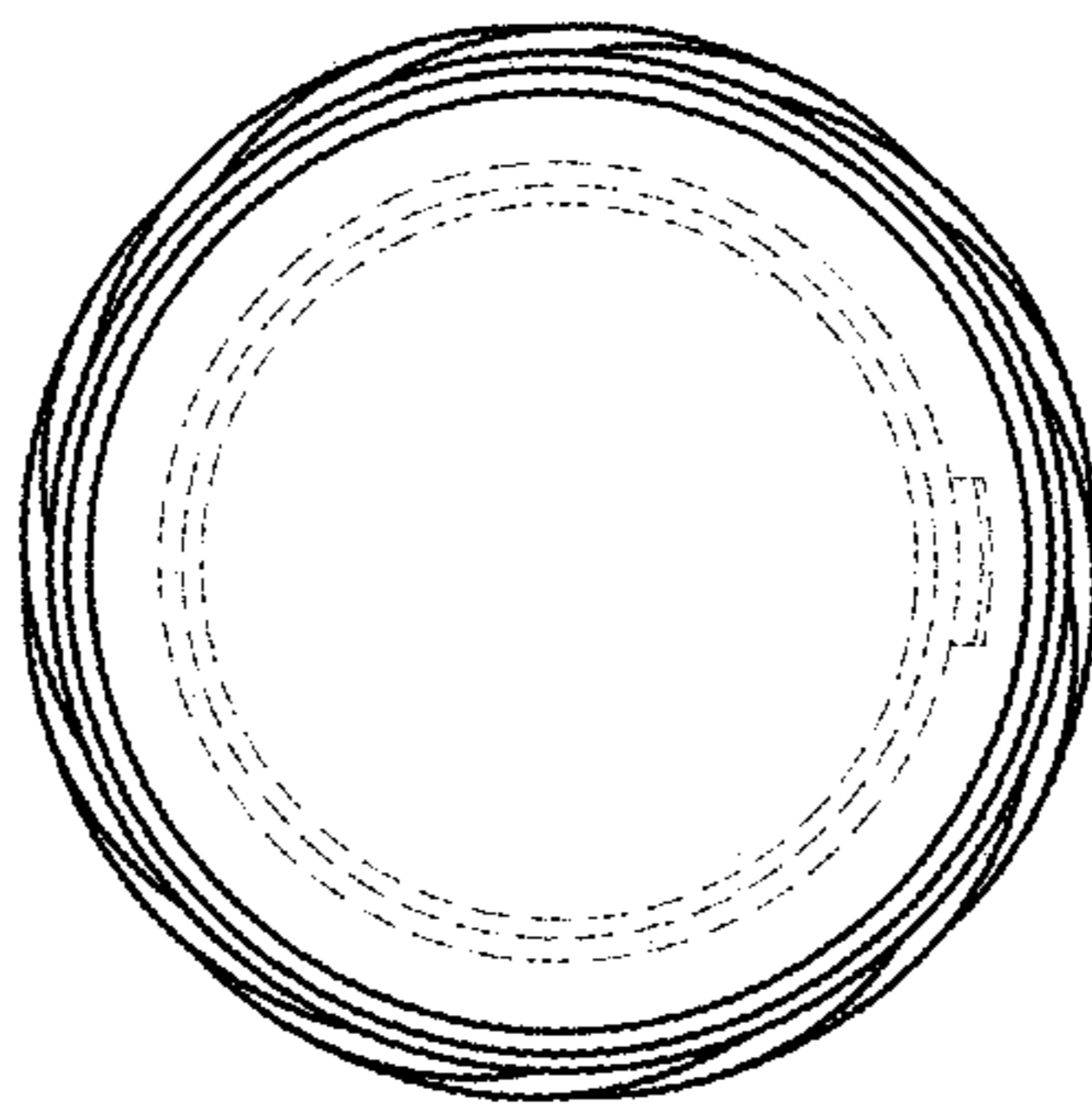


FIG. 9

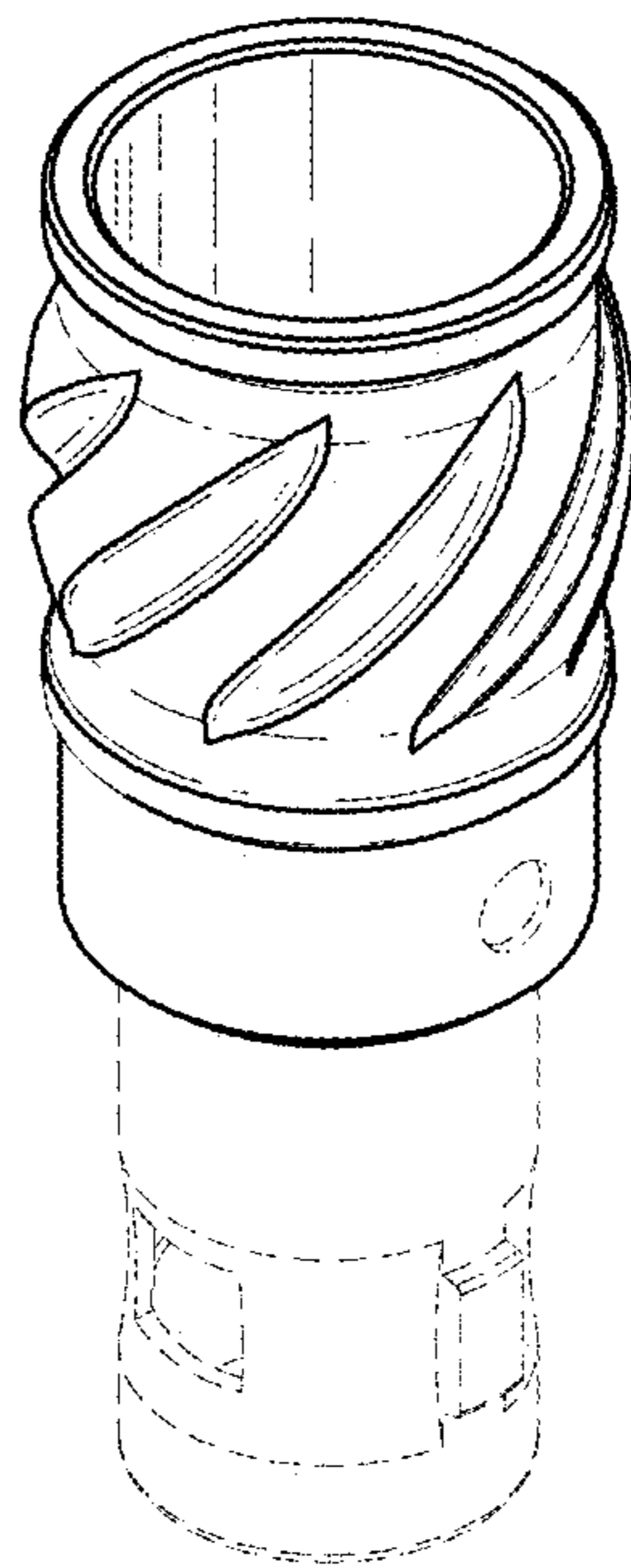


FIG. 10

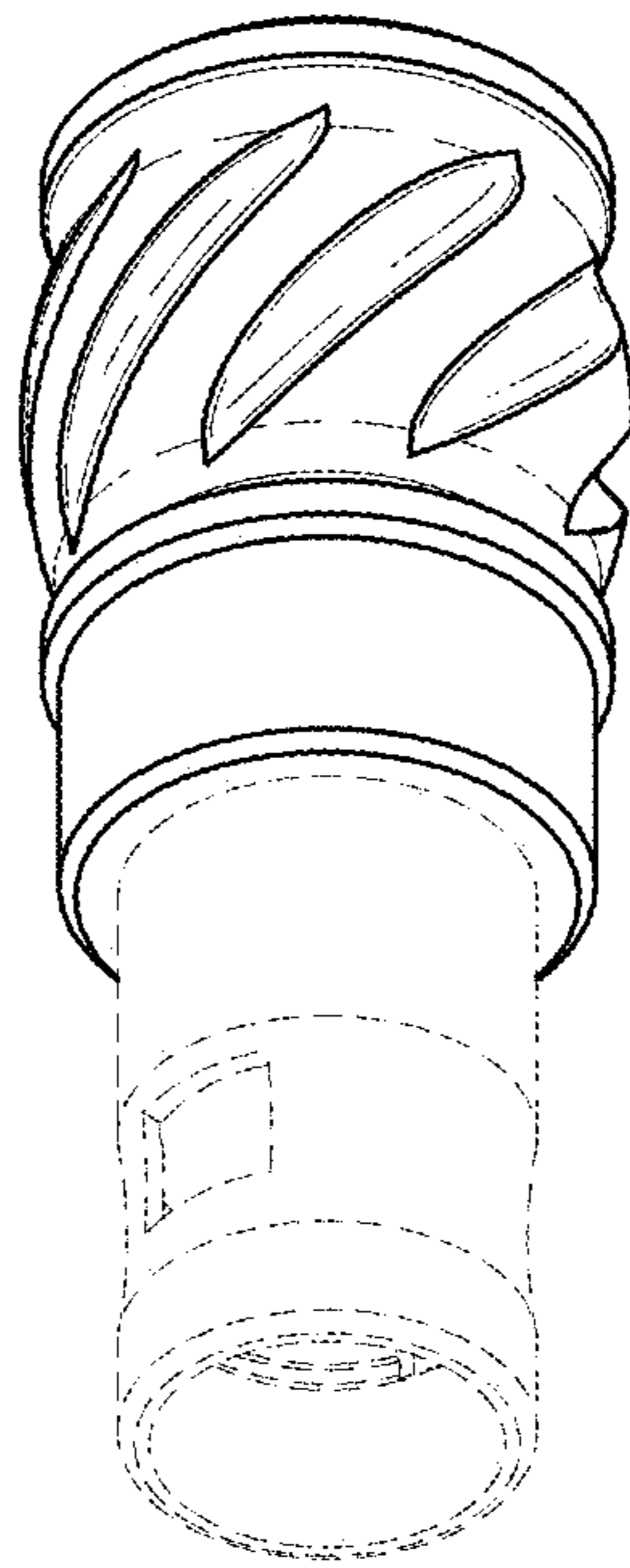


FIG. 11

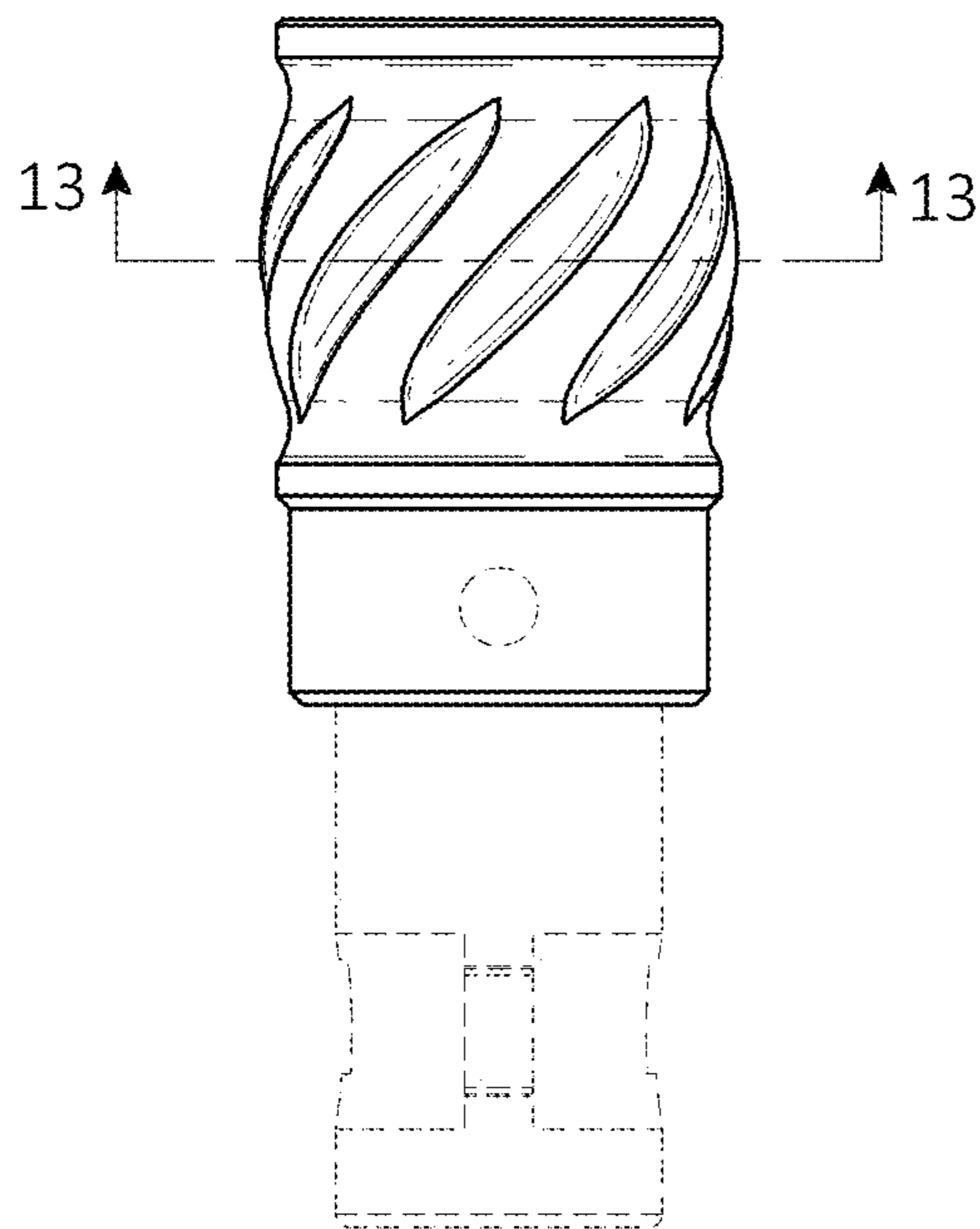


FIG. 12

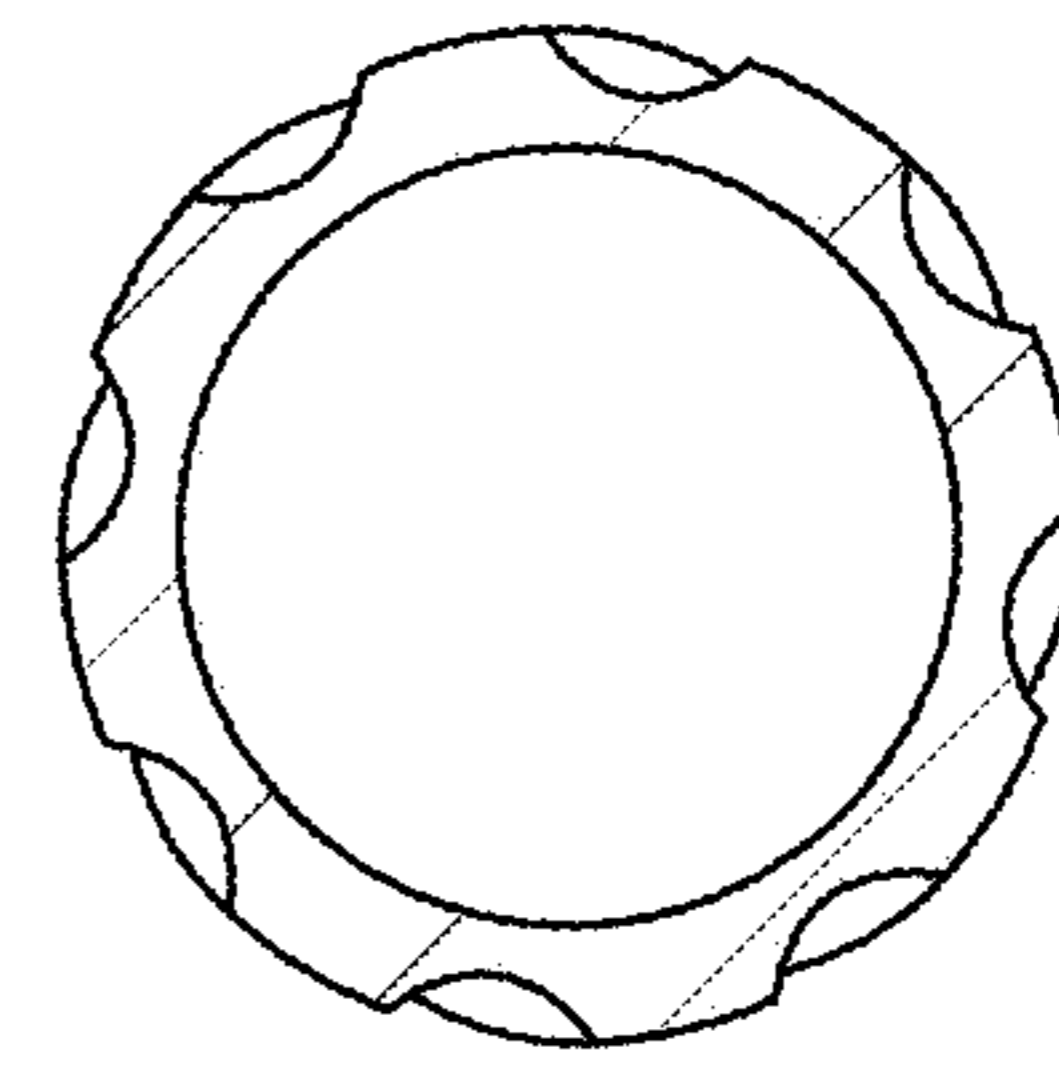


FIG. 13

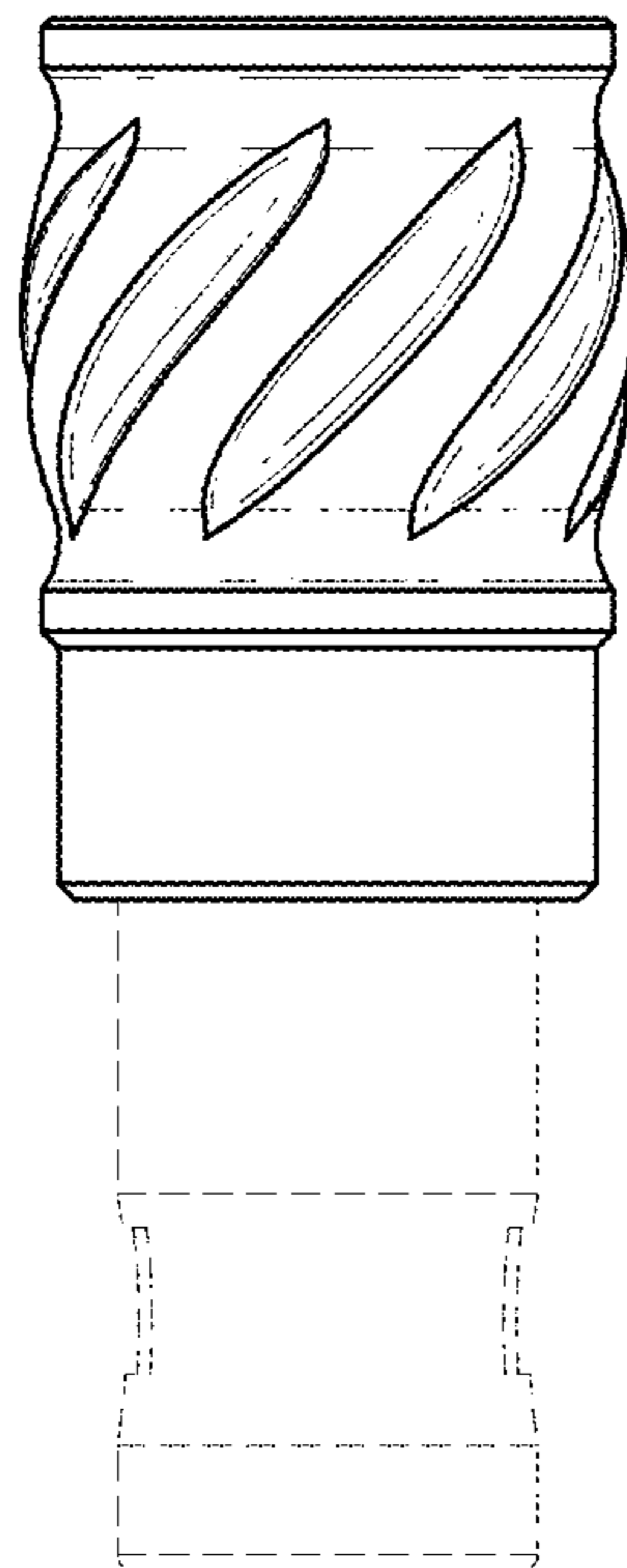


FIG. 14

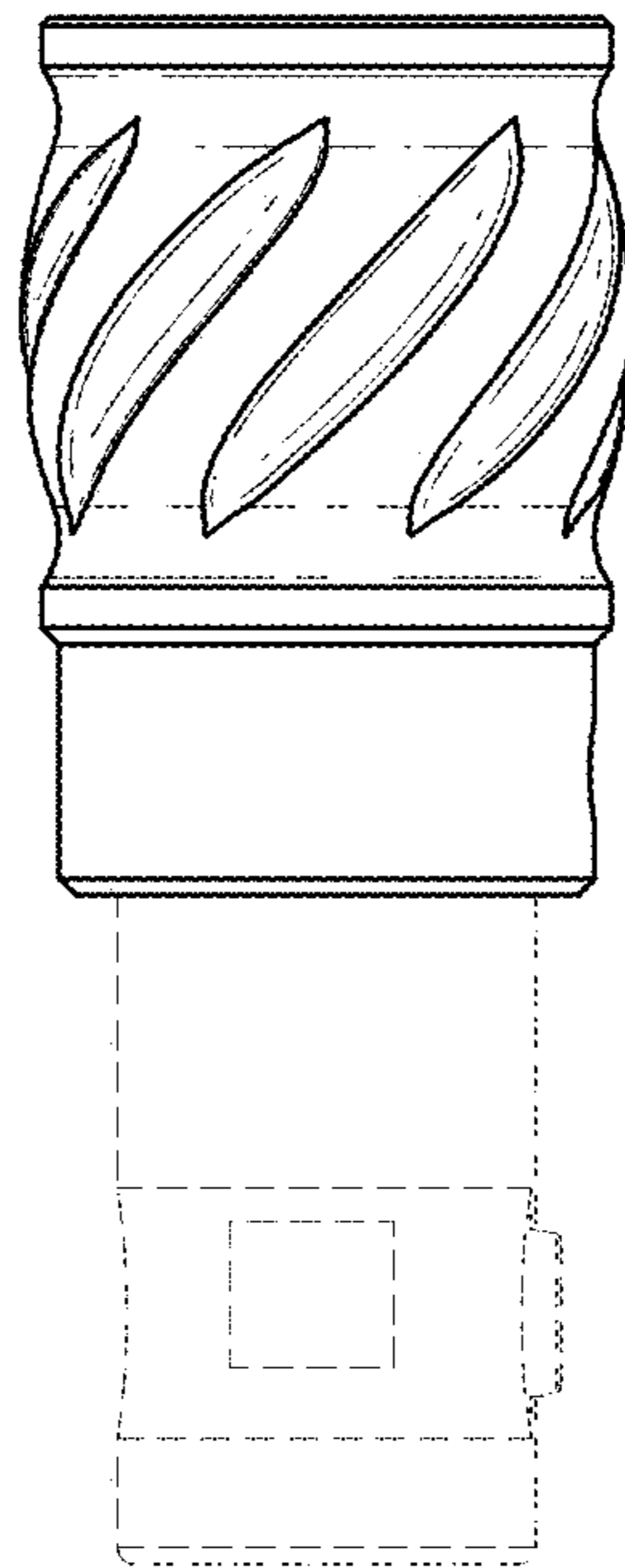


FIG. 15

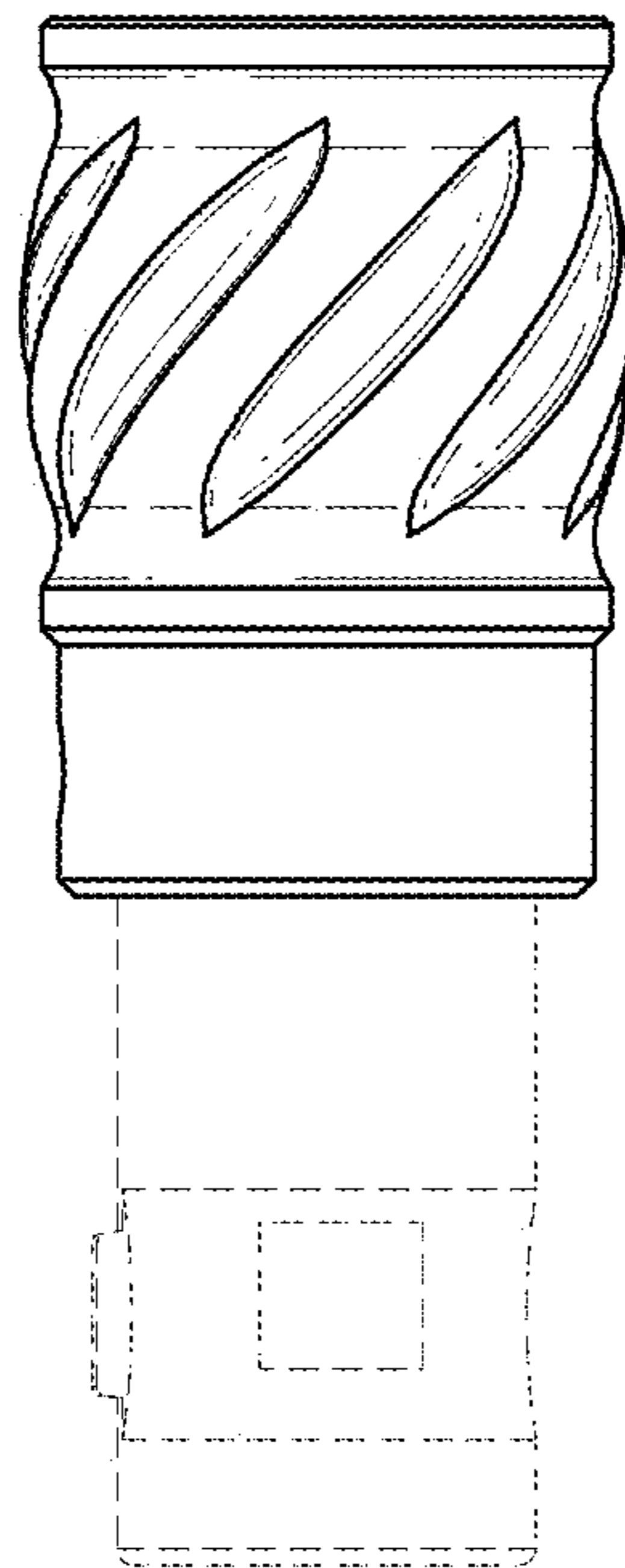


FIG. 16

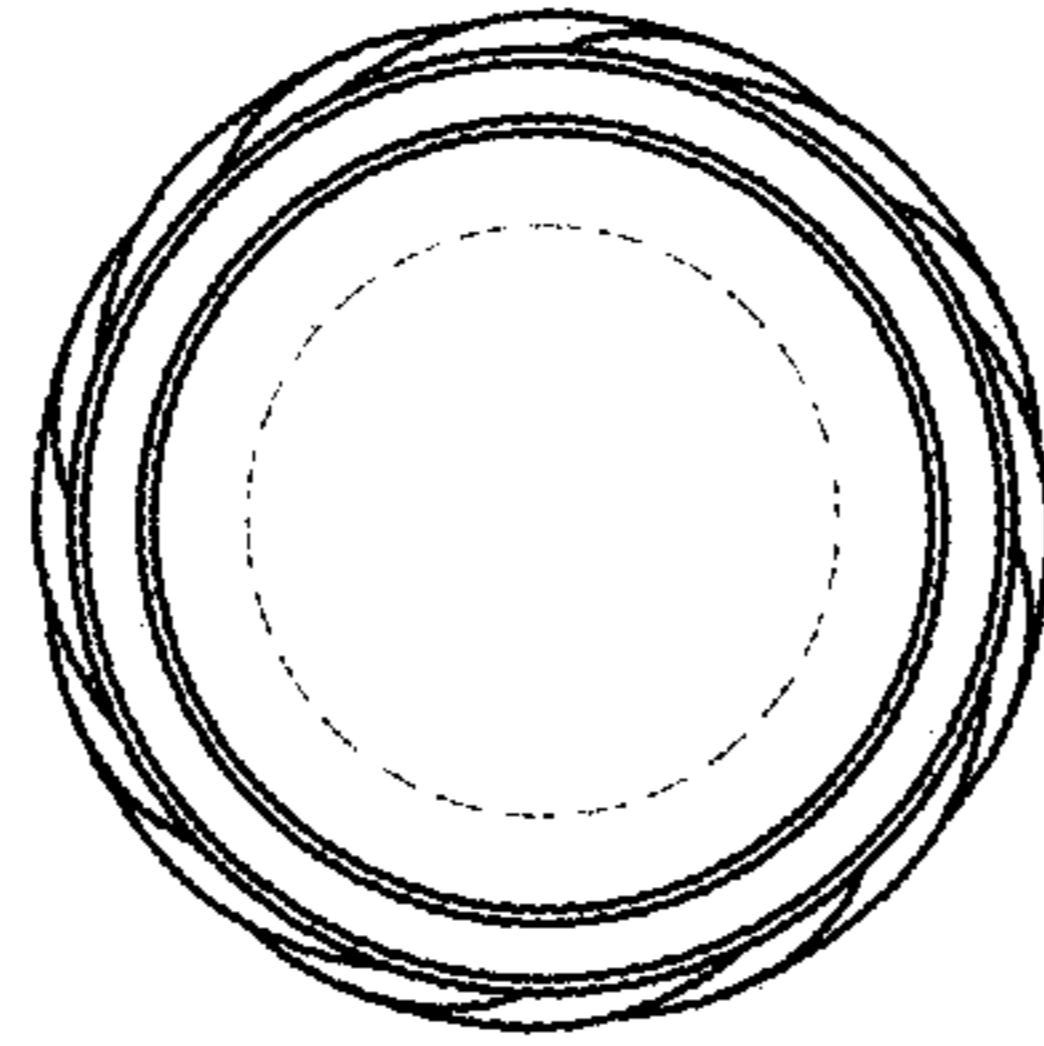


FIG. 17

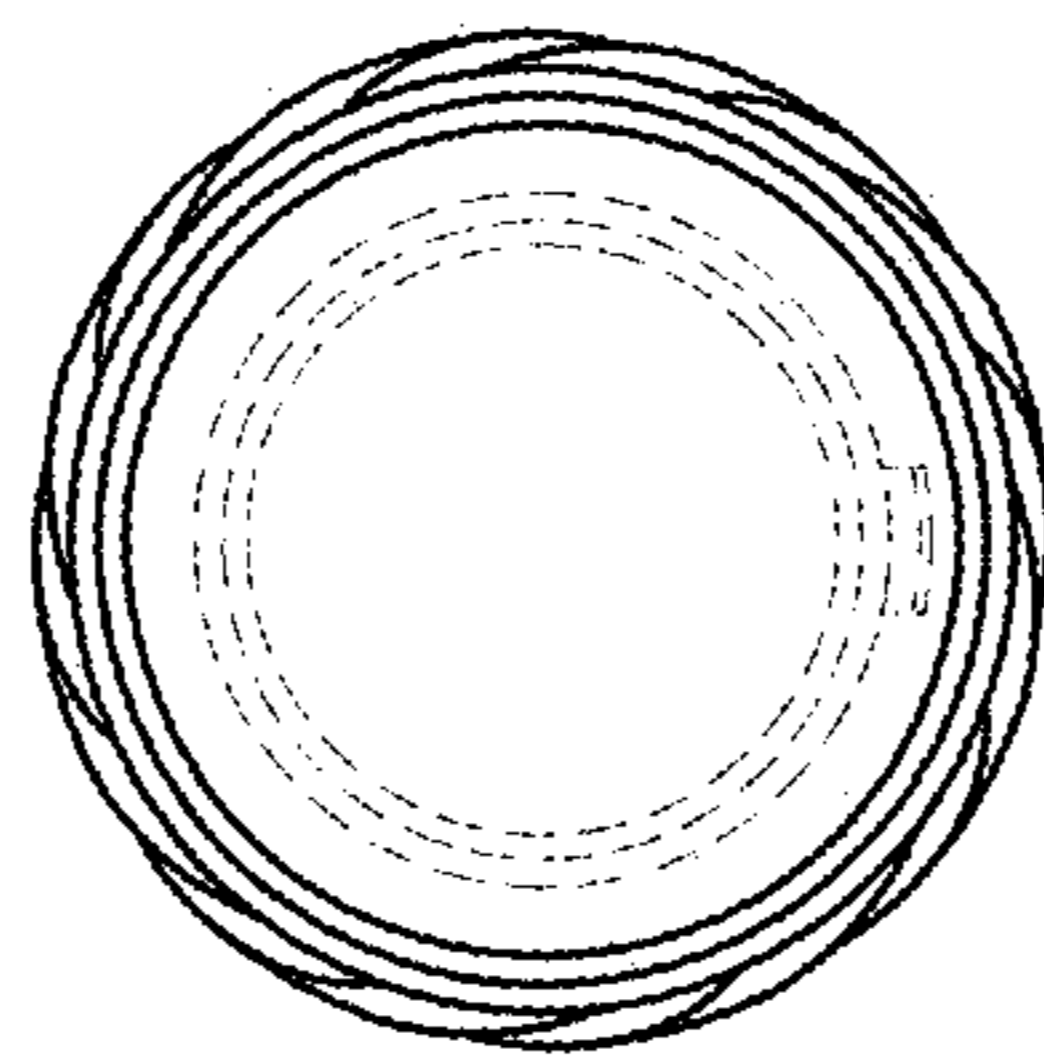


FIG. 18

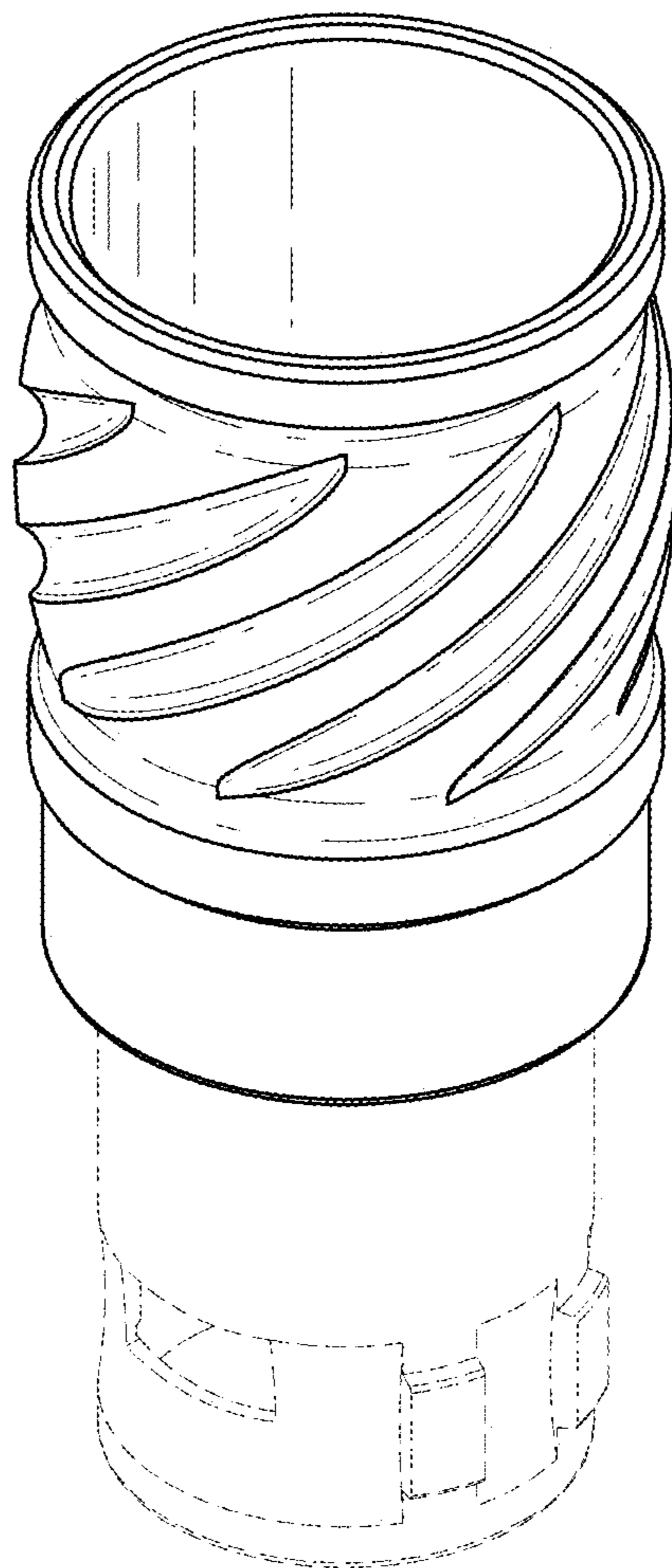


FIG. 19

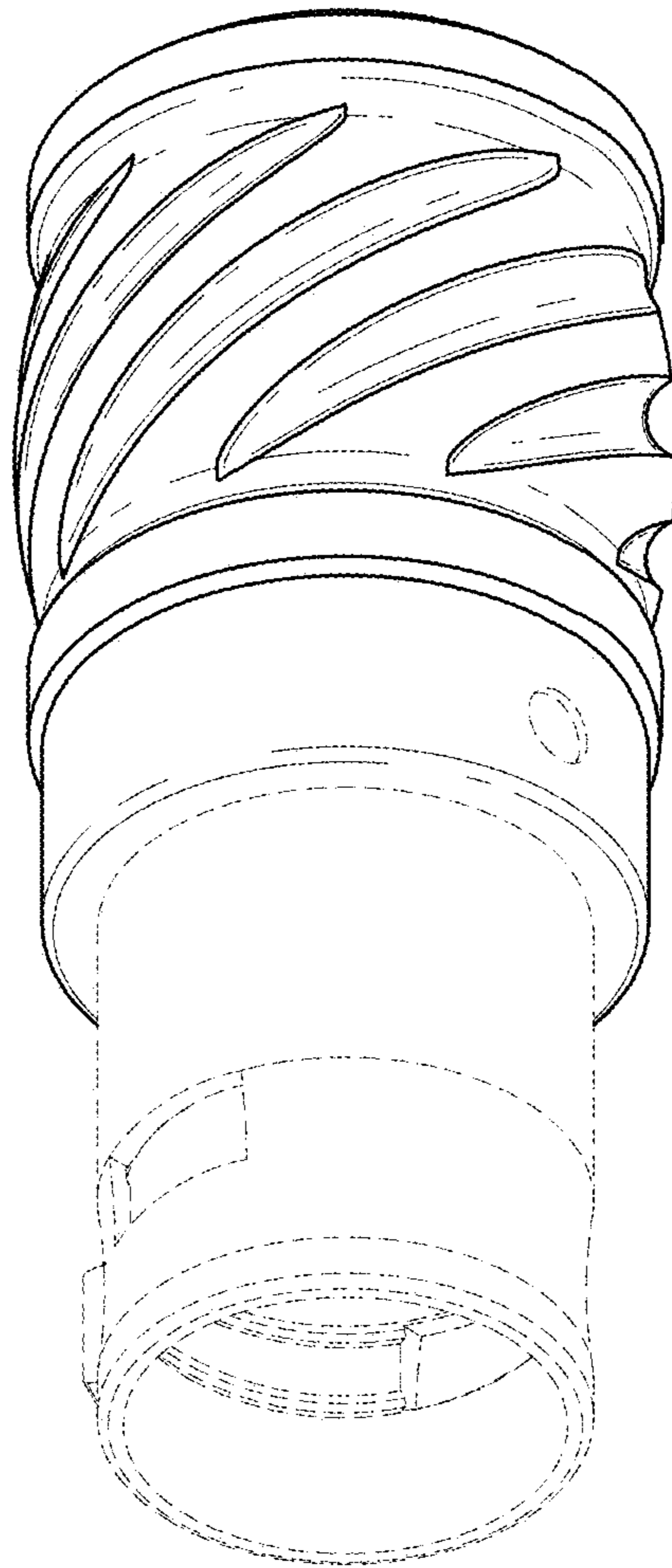


FIG. 20

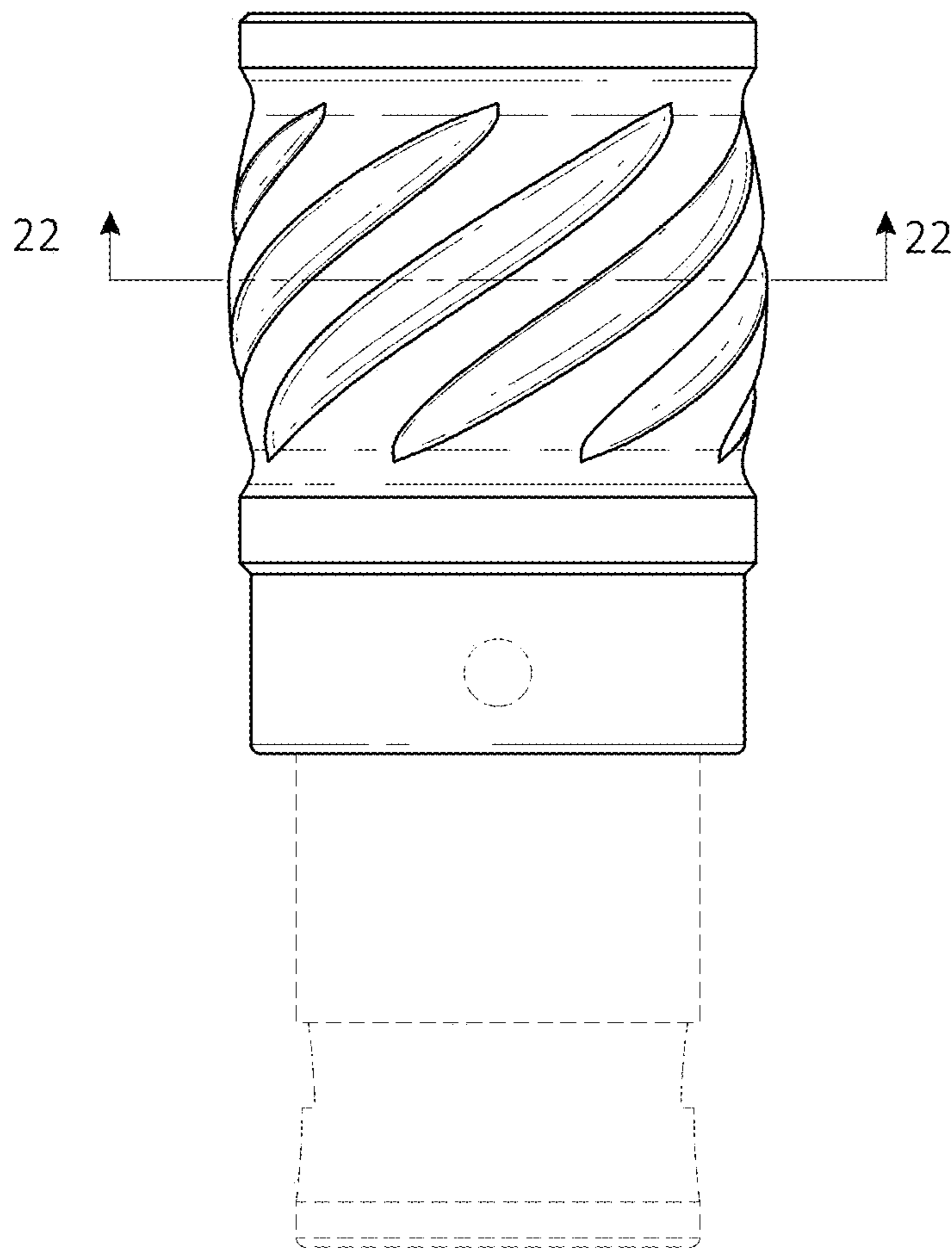


FIG. 21

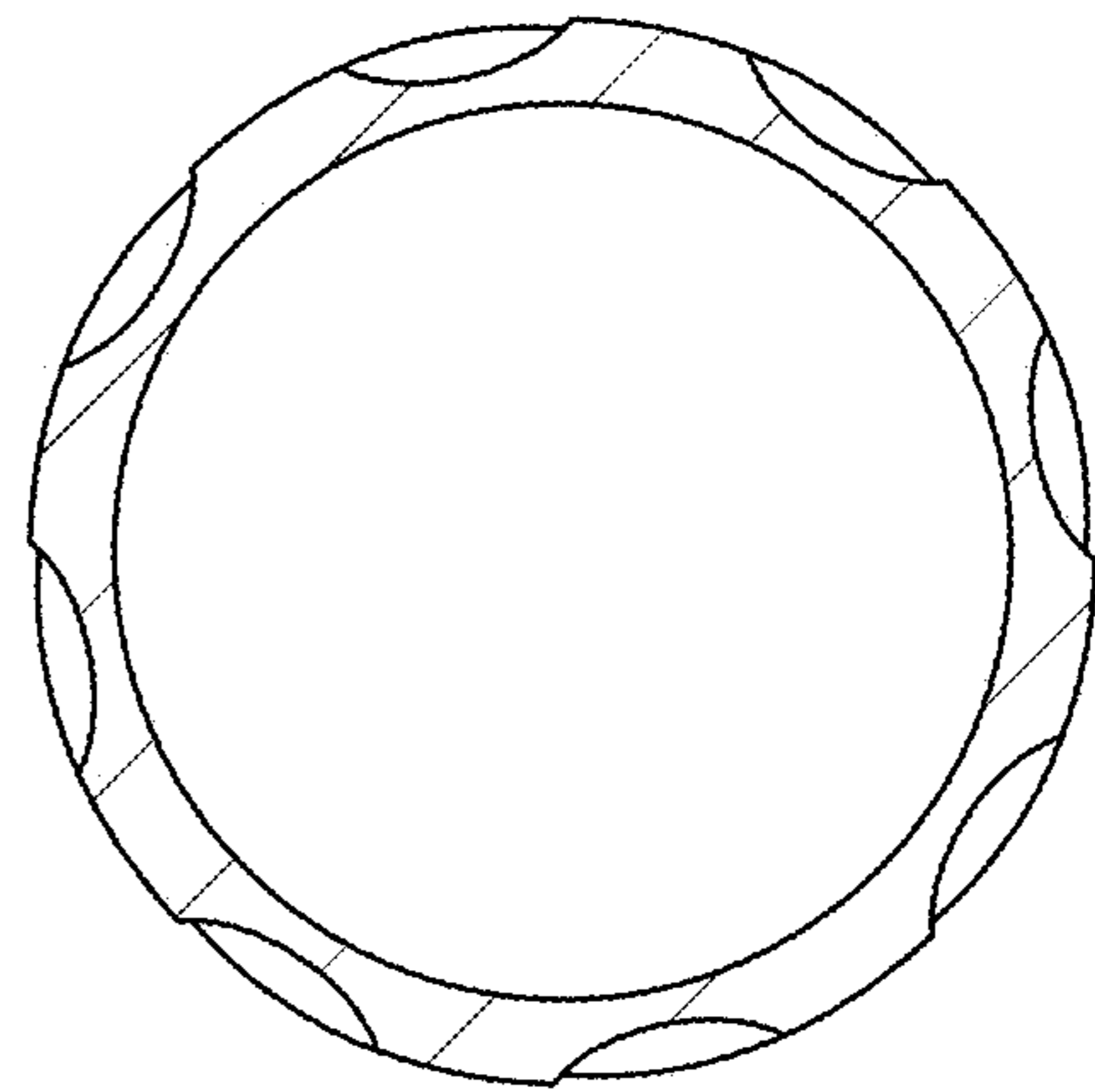


FIG. 22

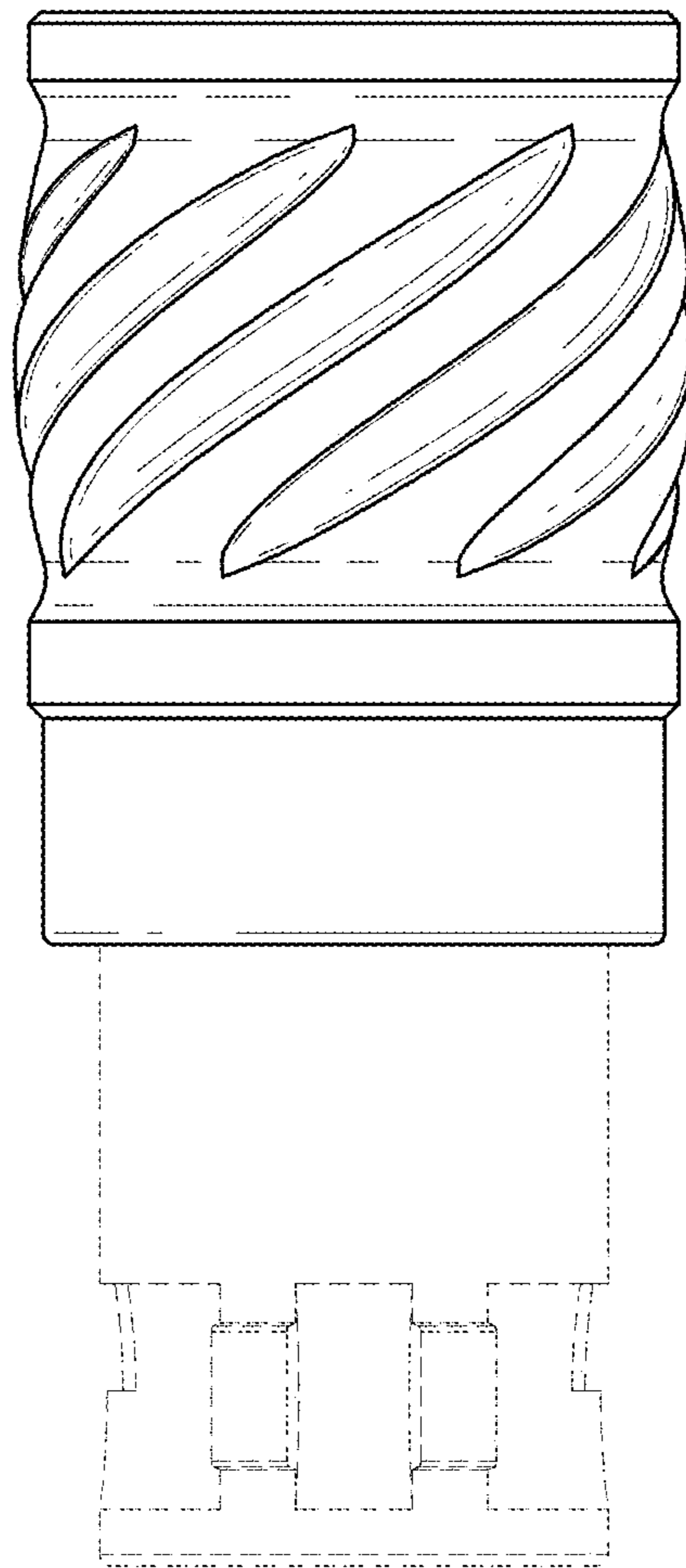


FIG. 23

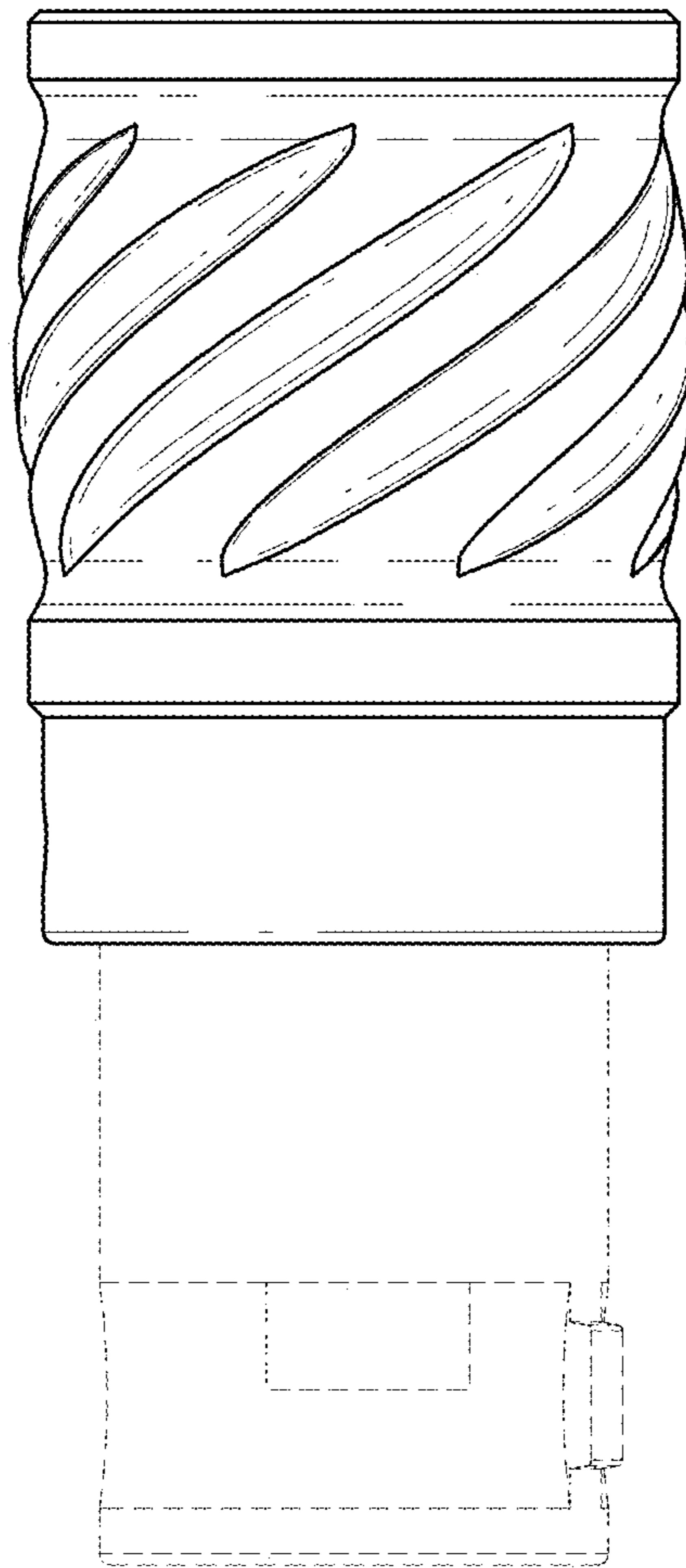


FIG. 24

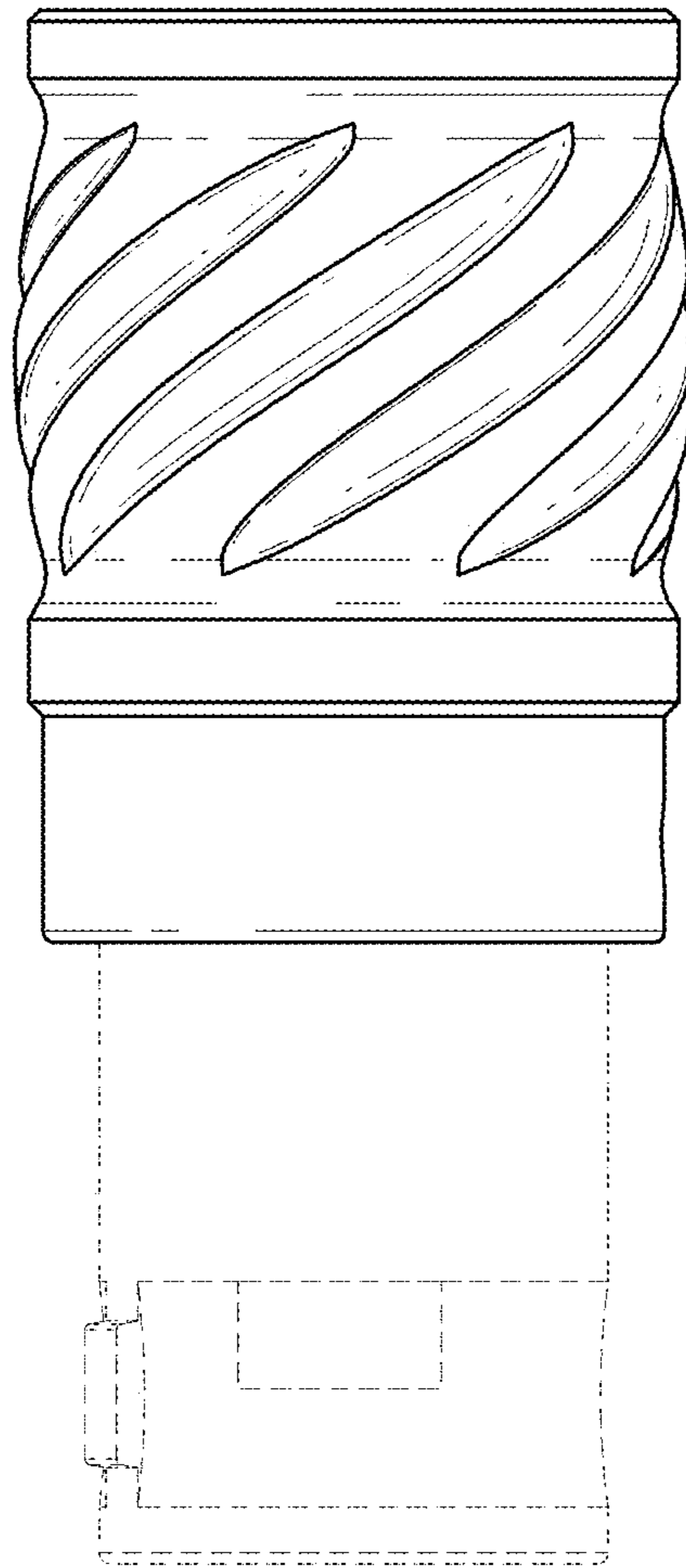


FIG. 25

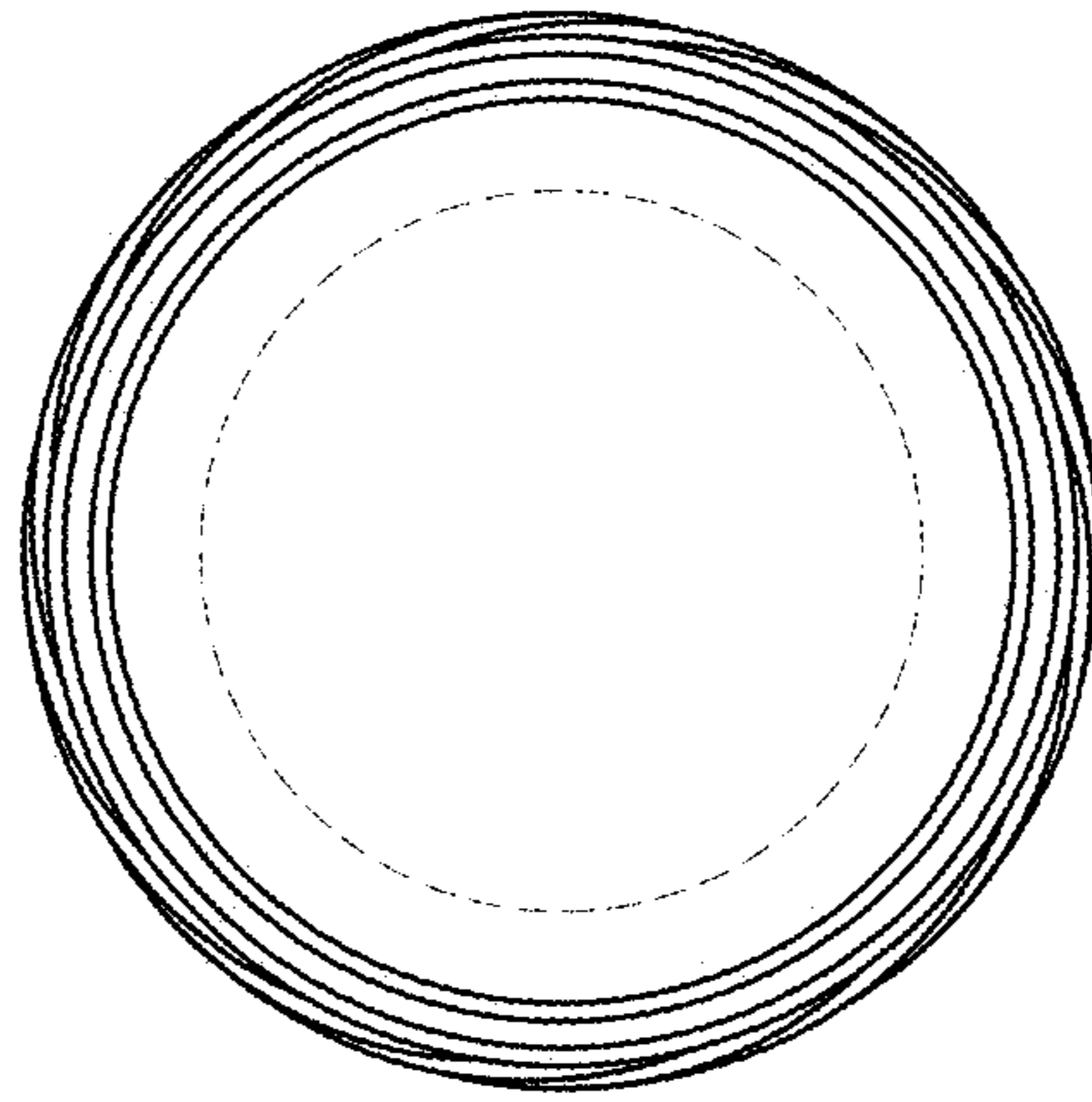


FIG. 26

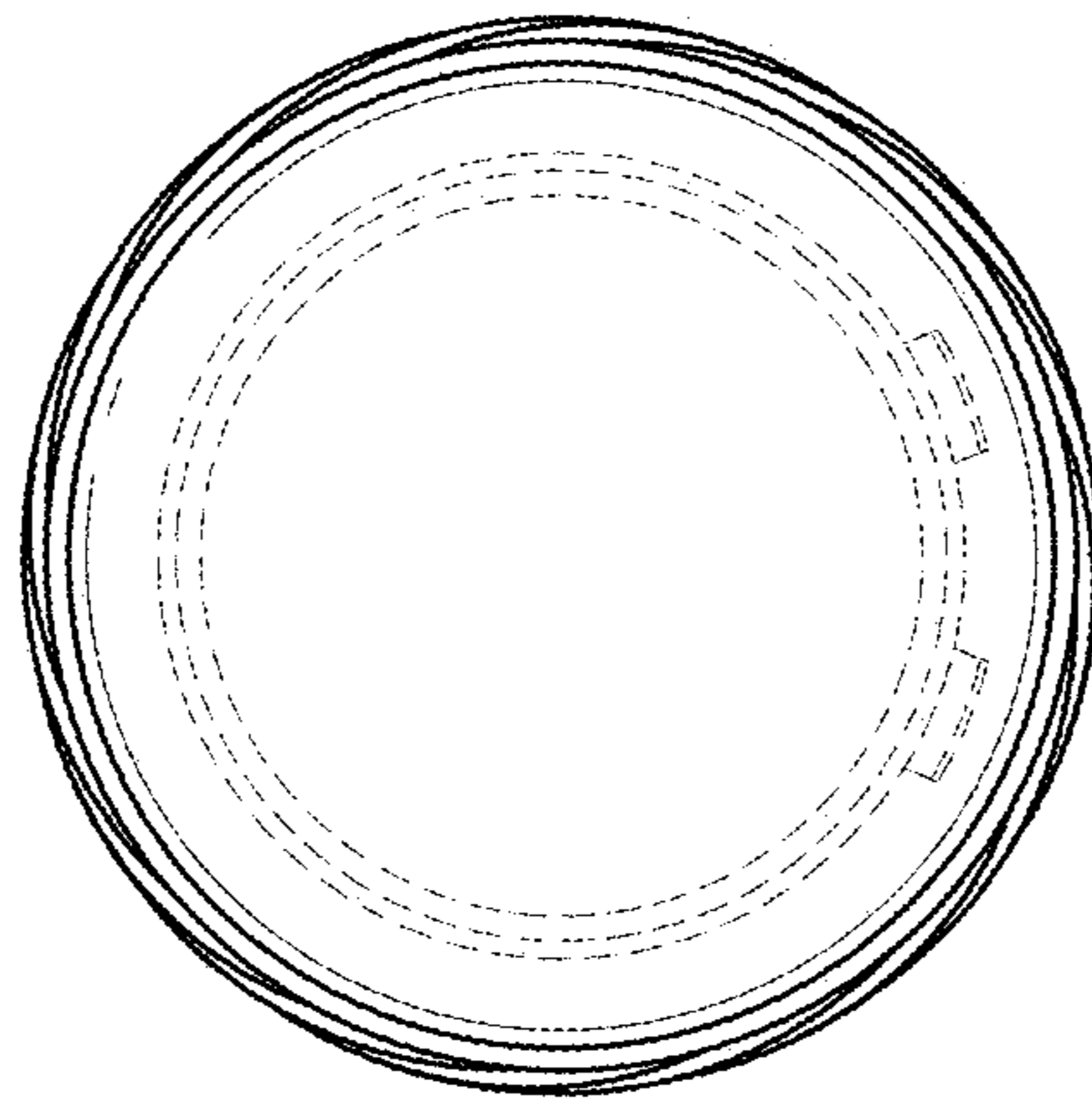


FIG. 27

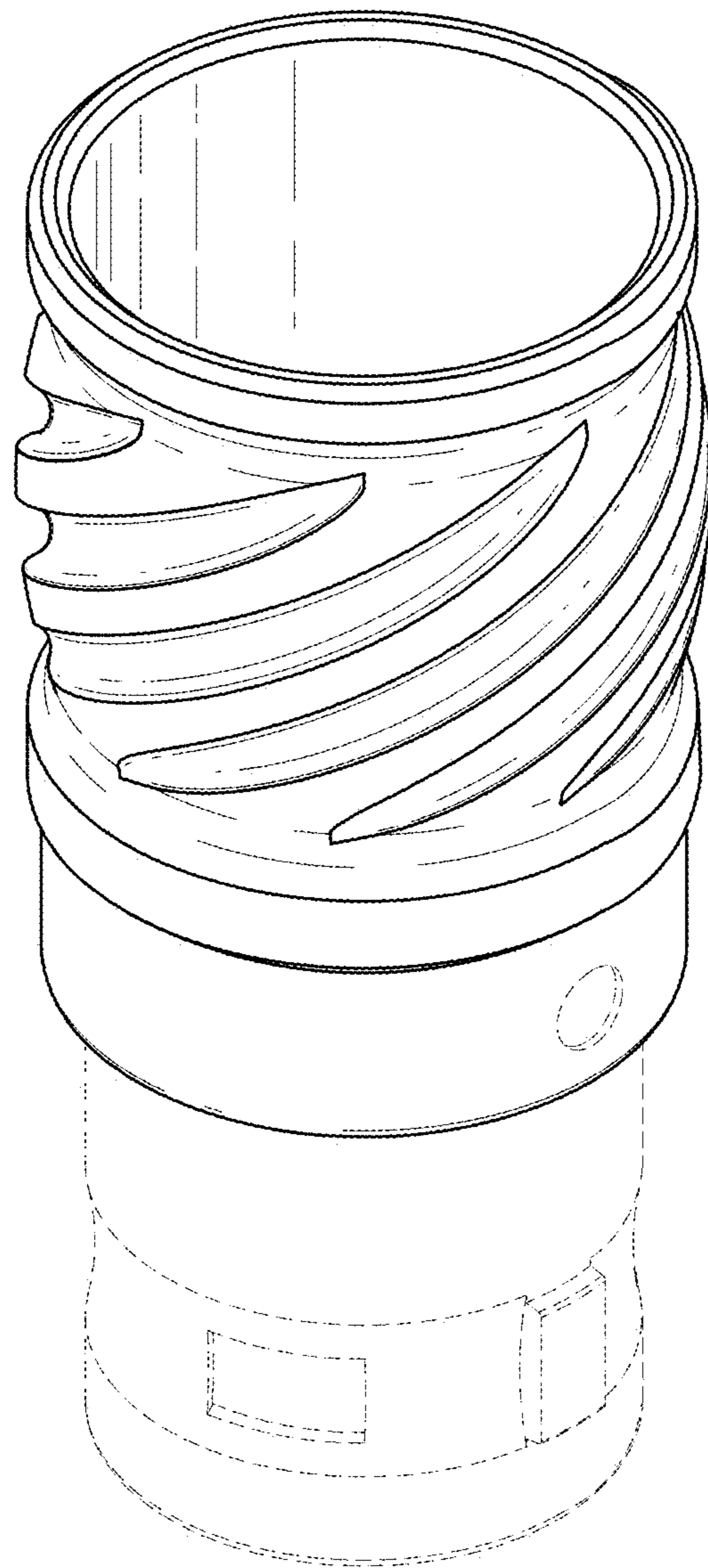


FIG. 28

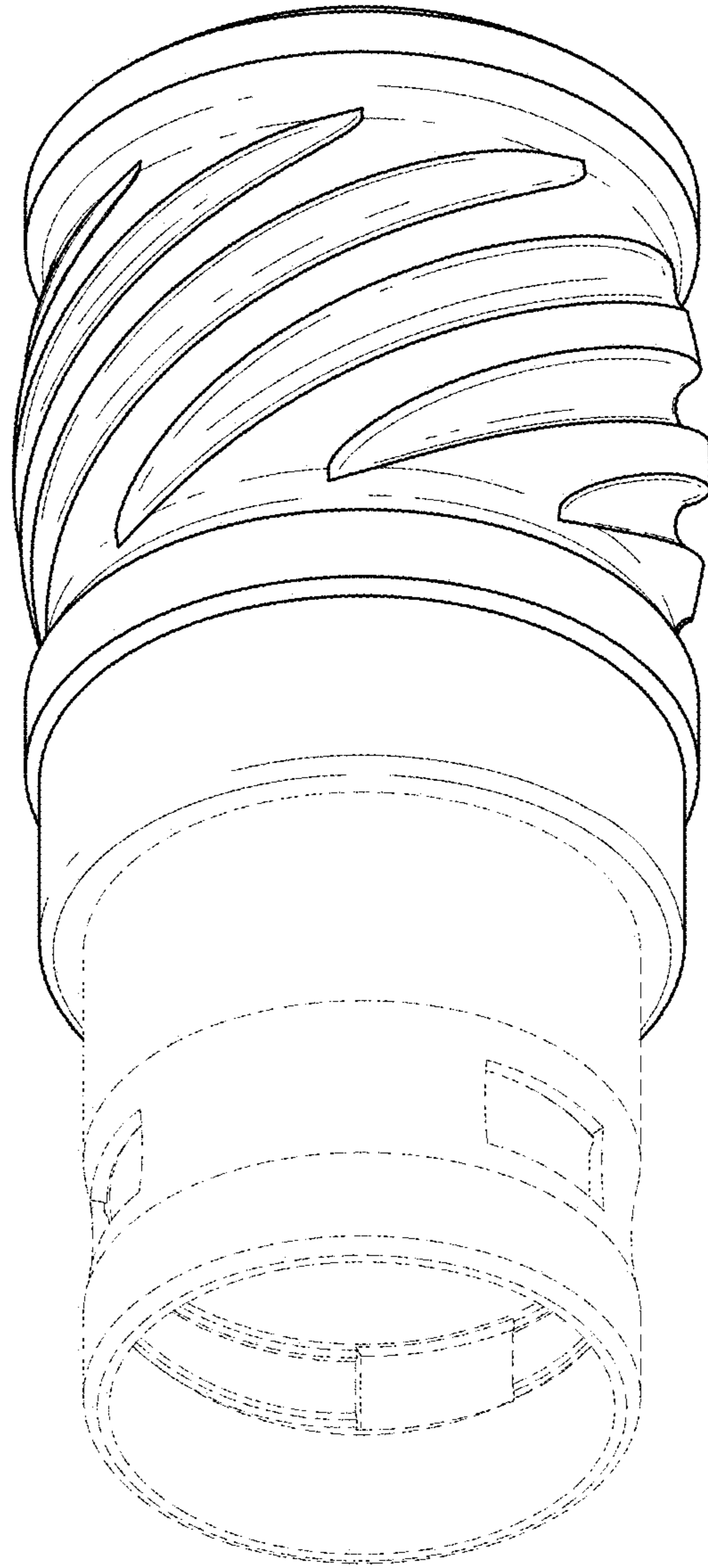


FIG. 29

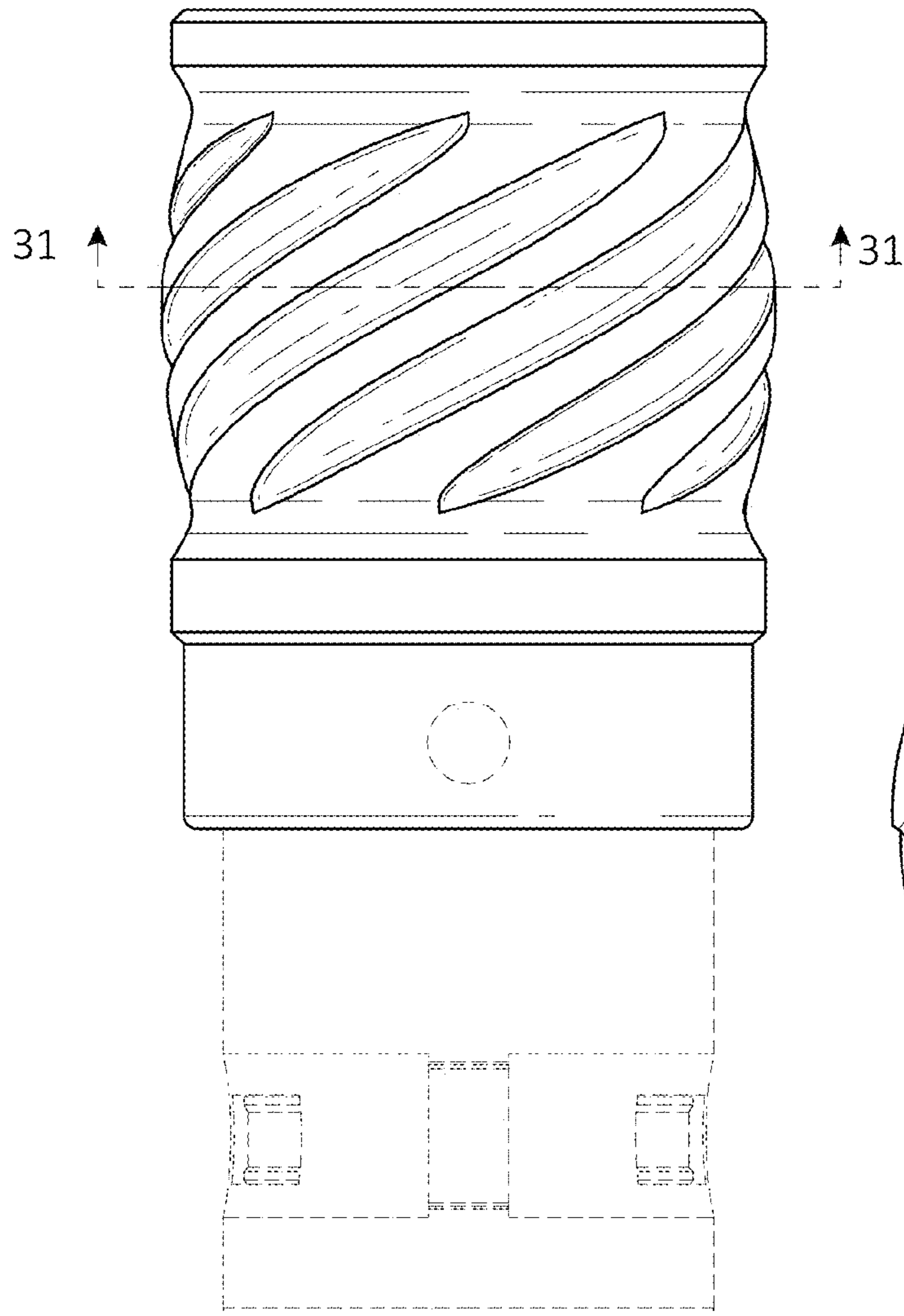


FIG. 30

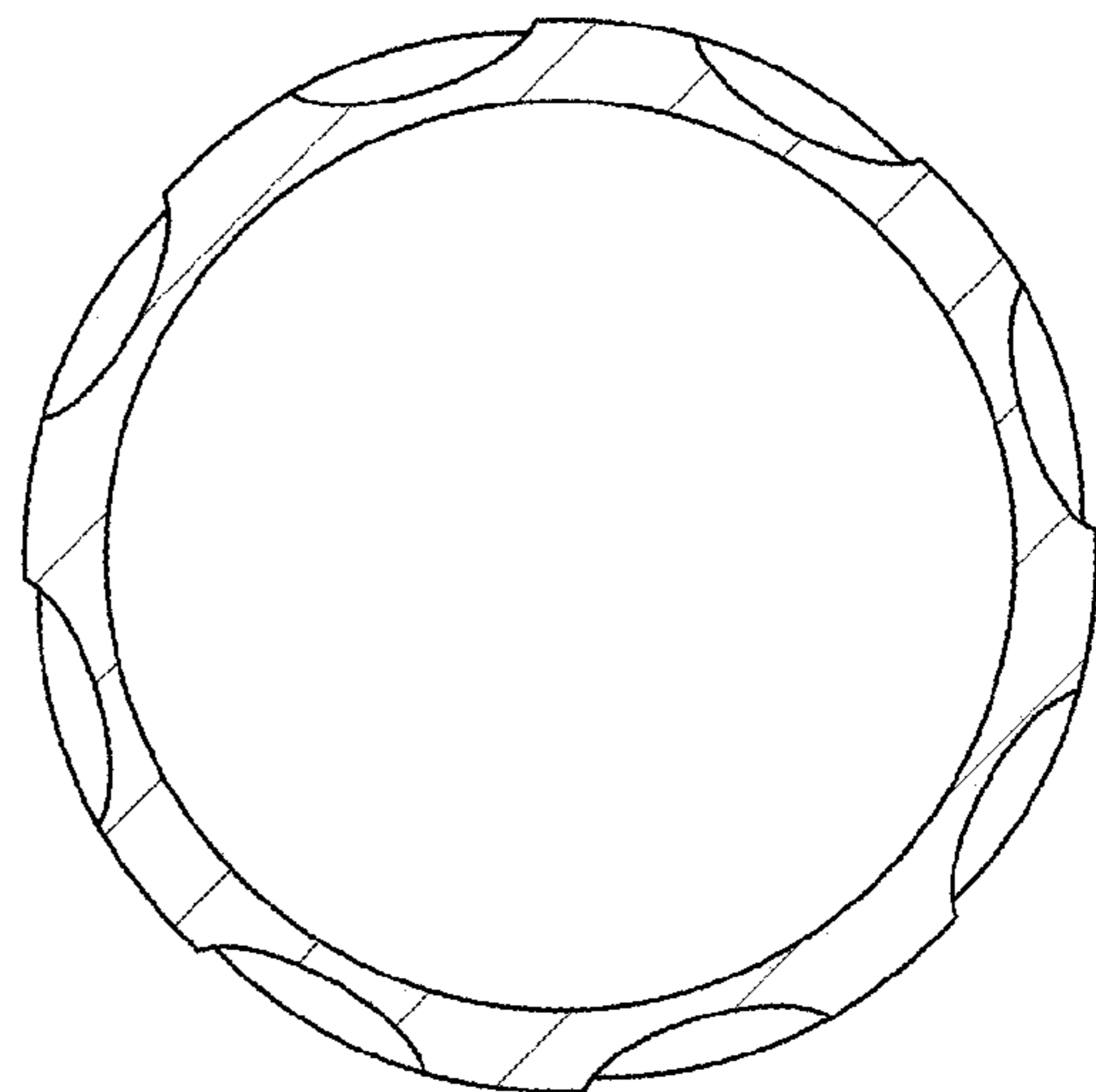


FIG. 31

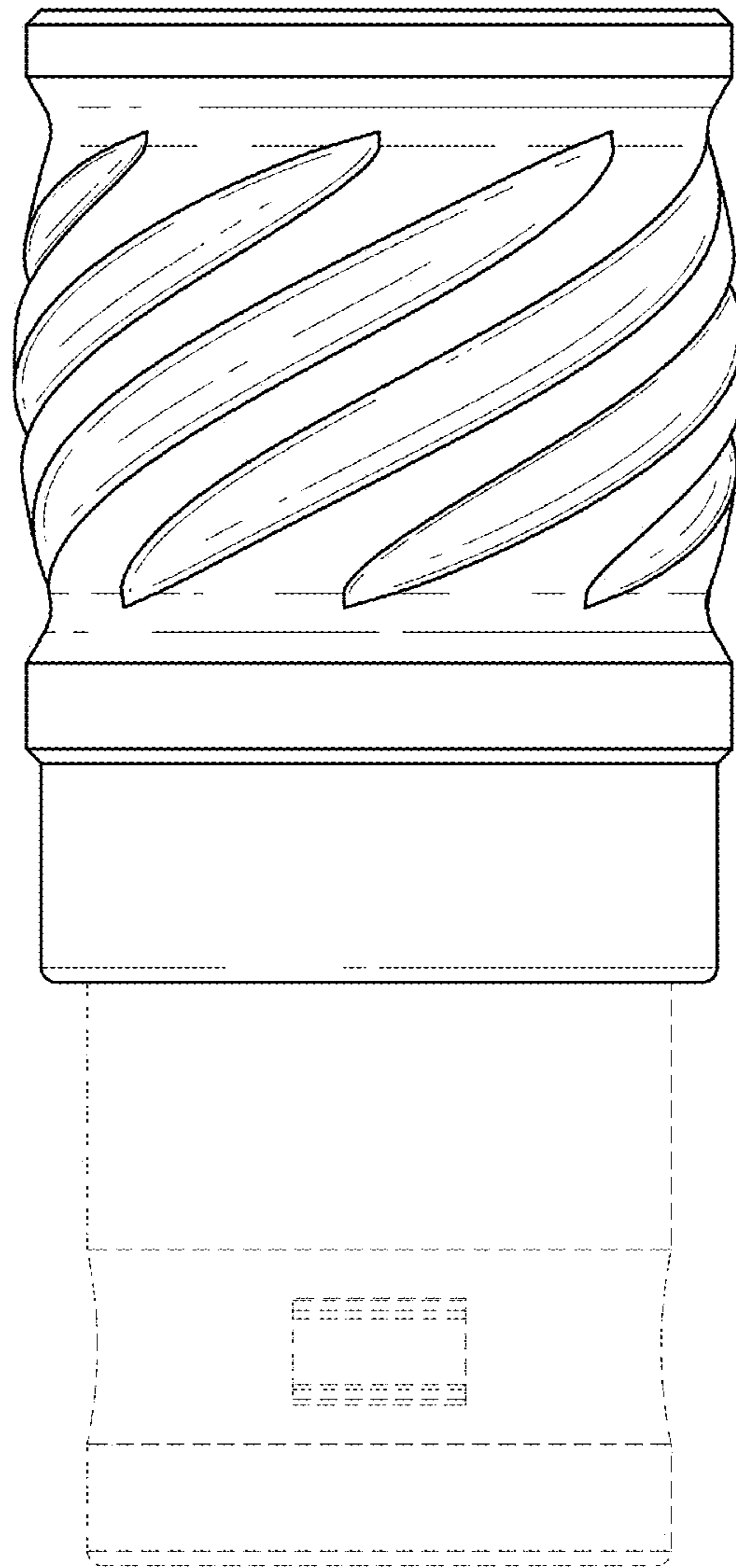


FIG. 32

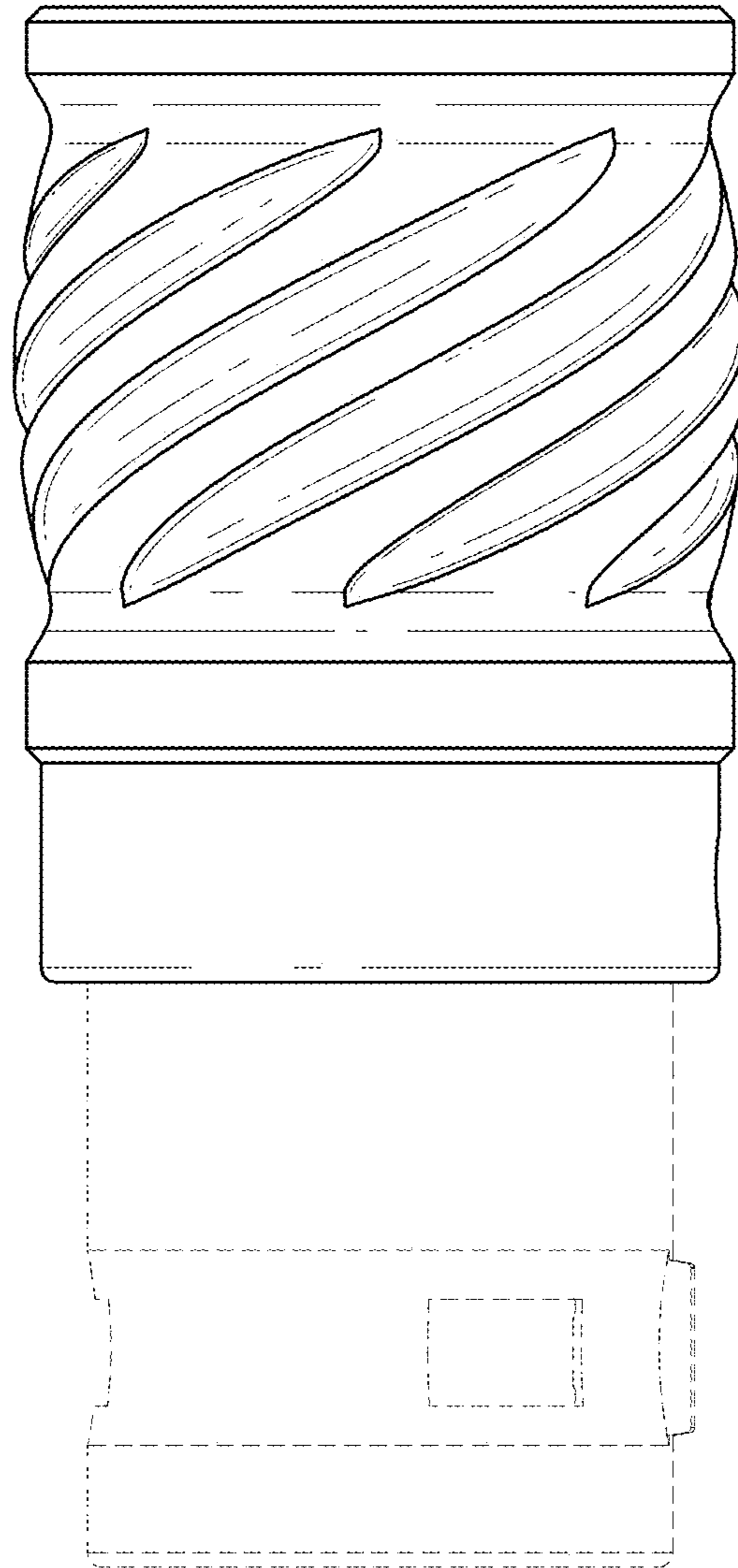


FIG. 33

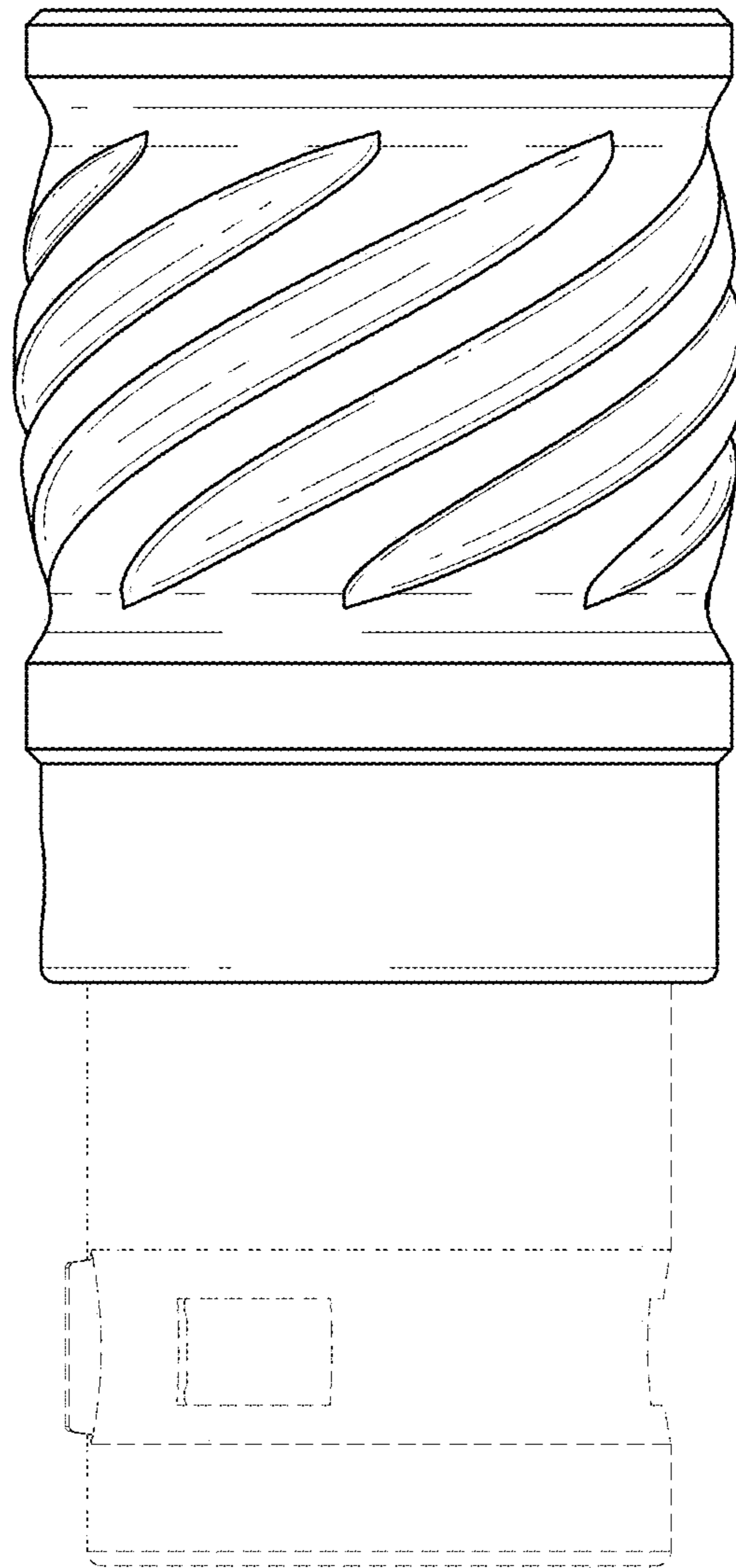


FIG. 34

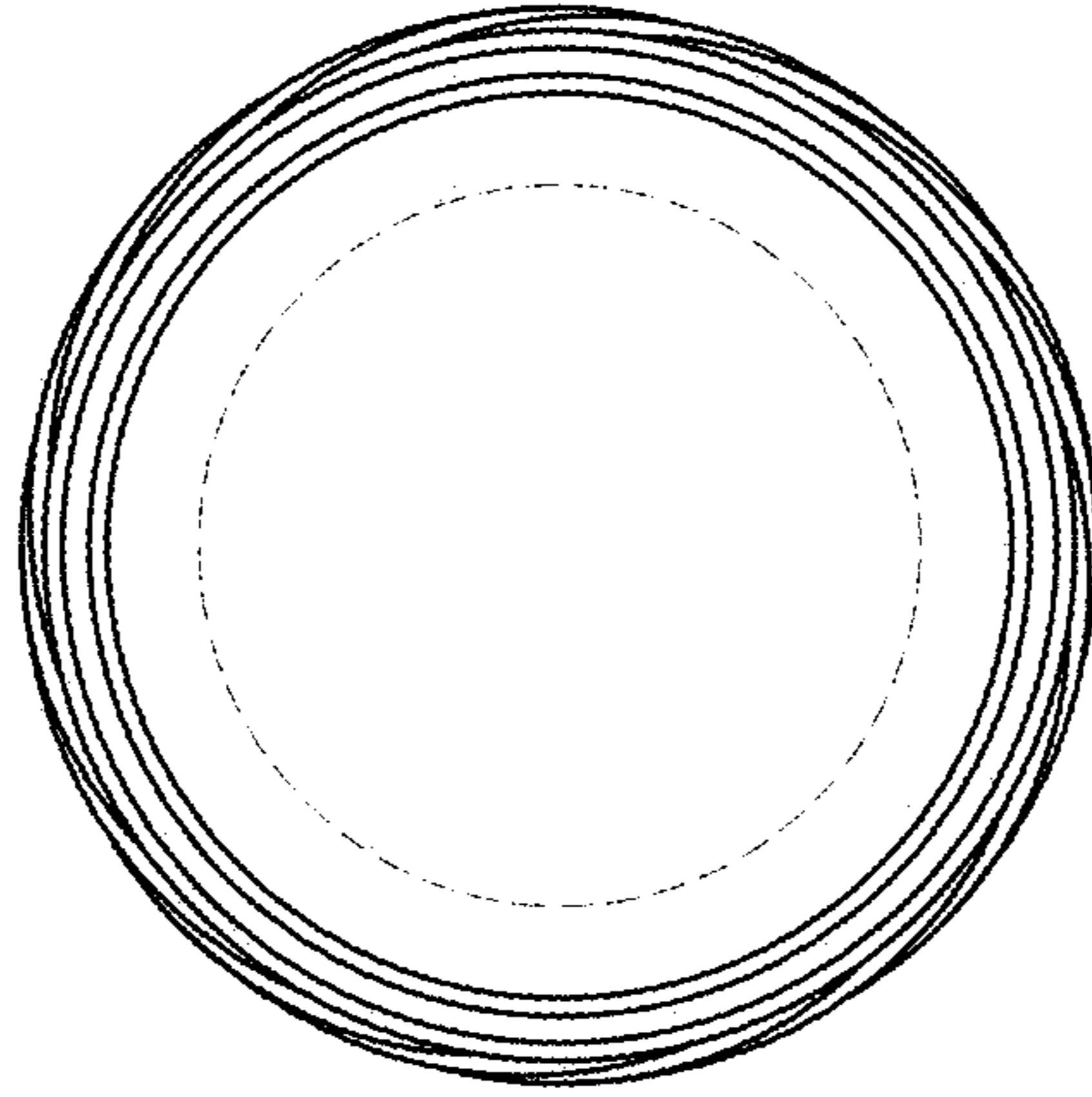


FIG. 35

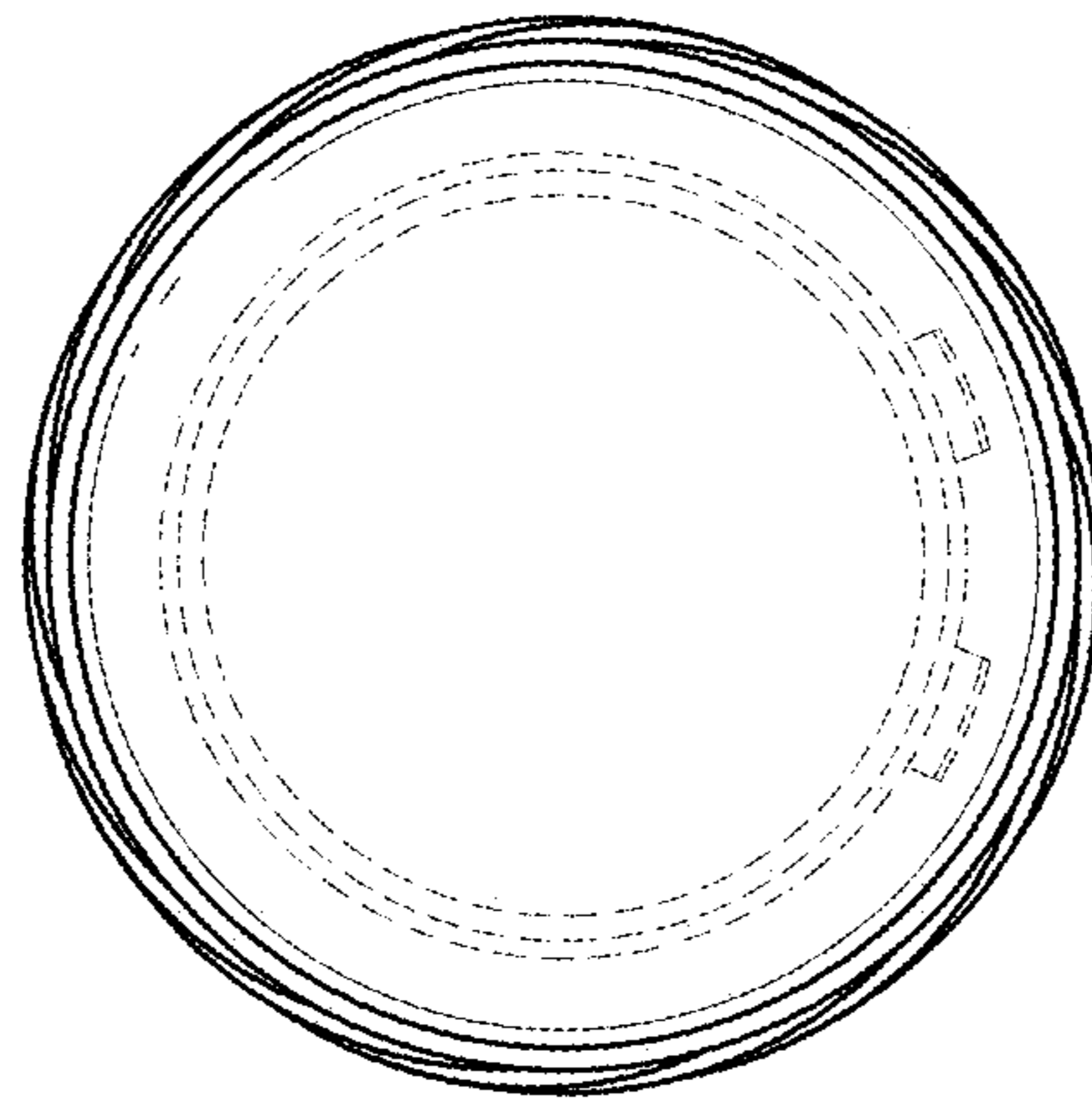


FIG. 36

UNITED STATES PATENT AND TRADEMARK OFFICE
CERTIFICATE OF CORRECTION

PATENT NO. : D905,642 S
APPLICATION NO. : 29/617296
DATED : December 22, 2020
INVENTOR(S) : Peter Jarred Land

Page 1 of 1

It is certified that error appears in the above-identified patent and that said Letters Patent is hereby corrected as shown below:

On the Title Page

In Column 1, item (57), Claim, Line 2, delete “show and” and insert --and--.

In Column 2, item (57), Description, Line 27, delete “his” and insert --is--.

Signed and Sealed this
Ninth Day of March, 2021



Drew Hirshfeld
*Performing the Functions and Duties of the
Under Secretary of Commerce for Intellectual Property and
Director of the United States Patent and Trademark Office*