



US00D905640S

(12) **United States Design Patent**
Ayers et al.

(10) **Patent No.:** **US D905,640 S**
(45) **Date of Patent:** **** Dec. 22, 2020**

(54) **ROTOR**

(71) Applicant: **Black & Decker Inc.**, New Britain, CT (US)

(72) Inventors: **Justin H. Ayers**, Jarrettsville, MD (US); **Jiaqi Zhang**, Cockeysville, MD (US); **John C. Cox**, Lutherville, MD (US)

(73) Assignee: **Black & Decker Inc.**, New Britain, CT (US)

(**) Term: **15 Years**

(21) Appl. No.: **29/662,727**

(22) Filed: **Sep. 7, 2018**

(51) **LOC (12) Cl.** **13-01**

(52) **U.S. Cl.**
USPC **D13/122**

(58) **Field of Classification Search**
USPC D13/112, 113, 114, 118, 122, 184, 199;
D15/1, 5; 290/36 R, 38 R, 39; 310/10,
310/20, 40 R, 40 MM, 42, 68 D, 75 R,
310/80, 83, 88, 89, 98, 109, 114
CPC H02K 5/06; H02K 5/22; H02K 5/225;
H02K 11/33; H02K 9/06; H02K 9/12;
H02K 9/14; H02K 9/18; H02K 9/20;
H02K 7/1025; H02K 7/20918; H02K
3/04; H02K 3/24; H02K 3/47; H02K
1/278; H02K 17/165; F02B 63/04; F28D
15/0266; F28D 15/02; F28F 1/20

See application file for complete search history.

(56) **References Cited**

U.S. PATENT DOCUMENTS

D320,191 S *	9/1991	Yamaguchi	D13/112
5,523,637 A *	6/1996	Miller	H02K 1/2733 310/152
5,861,700 A *	1/1999	Kim	H02K 1/32 310/216.119
6,002,190 A *	12/1999	Kieffer	H02K 1/20 310/193
D441,715 S *	5/2001	Sasaki	D13/122
D647,478 S *	10/2011	Jiang	D13/122
D824,853 S *	8/2018	Looi	D13/122

* cited by examiner

Primary Examiner — Derrick E Holland

(74) *Attorney, Agent, or Firm* — Amir Rohani

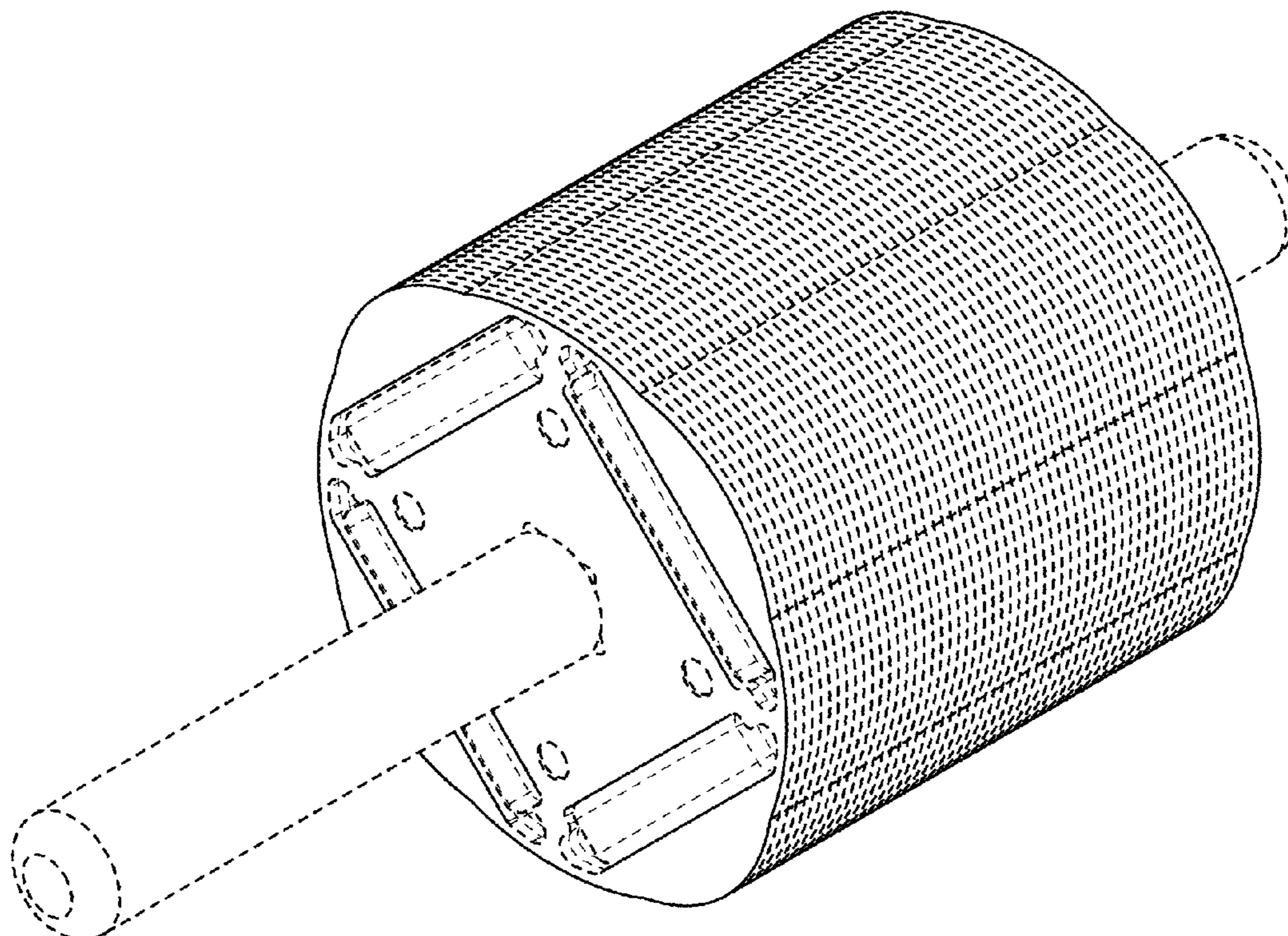
(57) **CLAIM**

The ornamental design for a rotor, as shown and described.

DESCRIPTION

FIG. 1 is a perspective frontal-side view of a rotor;
FIG. 2 is a view from one side thereof;
FIG. 3 is a view from the other side thereof;
FIG. 4 is a front view thereof;
FIG. 5 is a rear view thereof;
FIG. 6 is a top view thereof; and,
FIG. 7 is a bottom view thereof.
The broken lines illustrate the portions of the rotor that form no part of the claimed design.

1 Claim, 7 Drawing Sheets



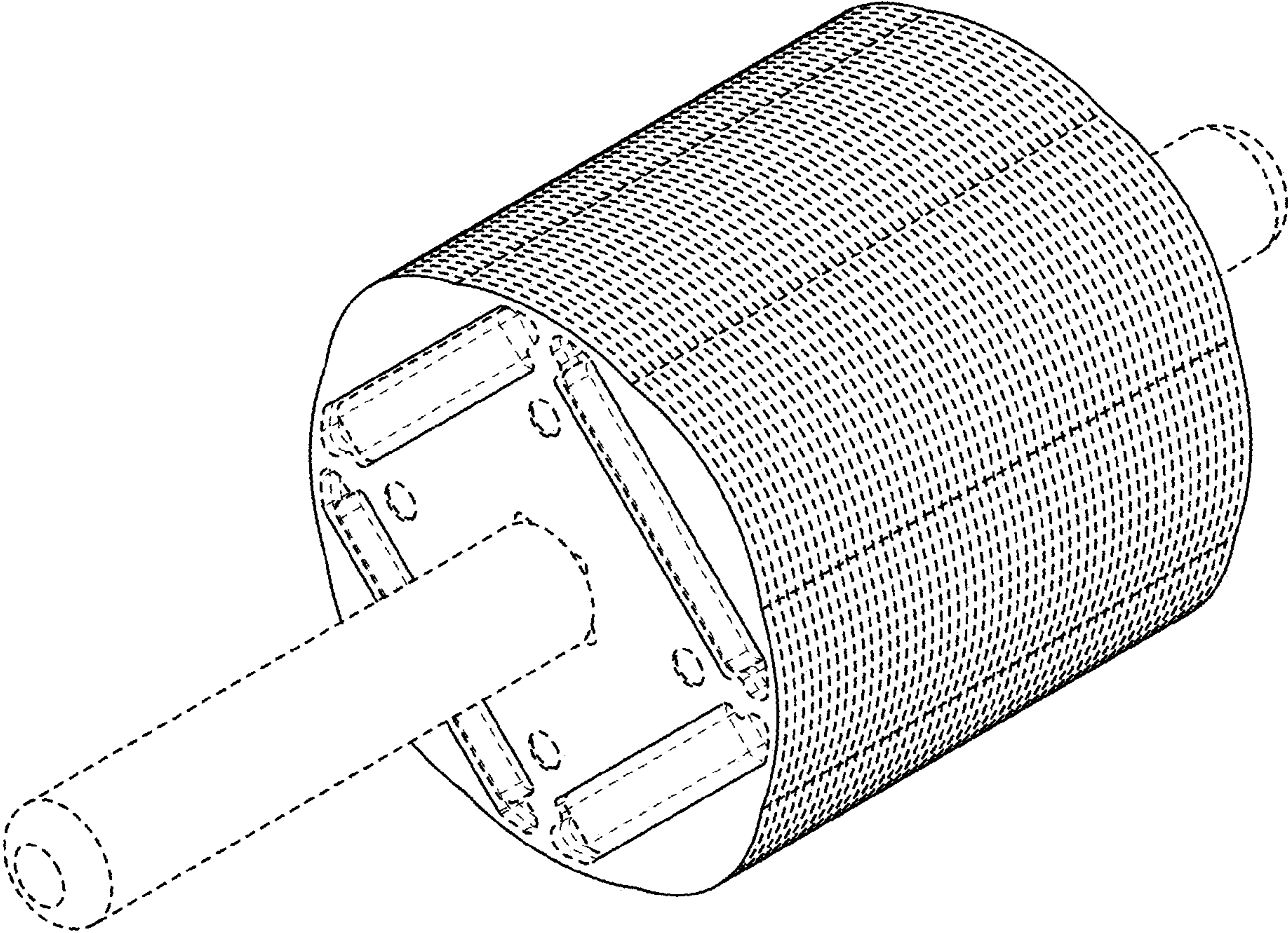


FIG. 1

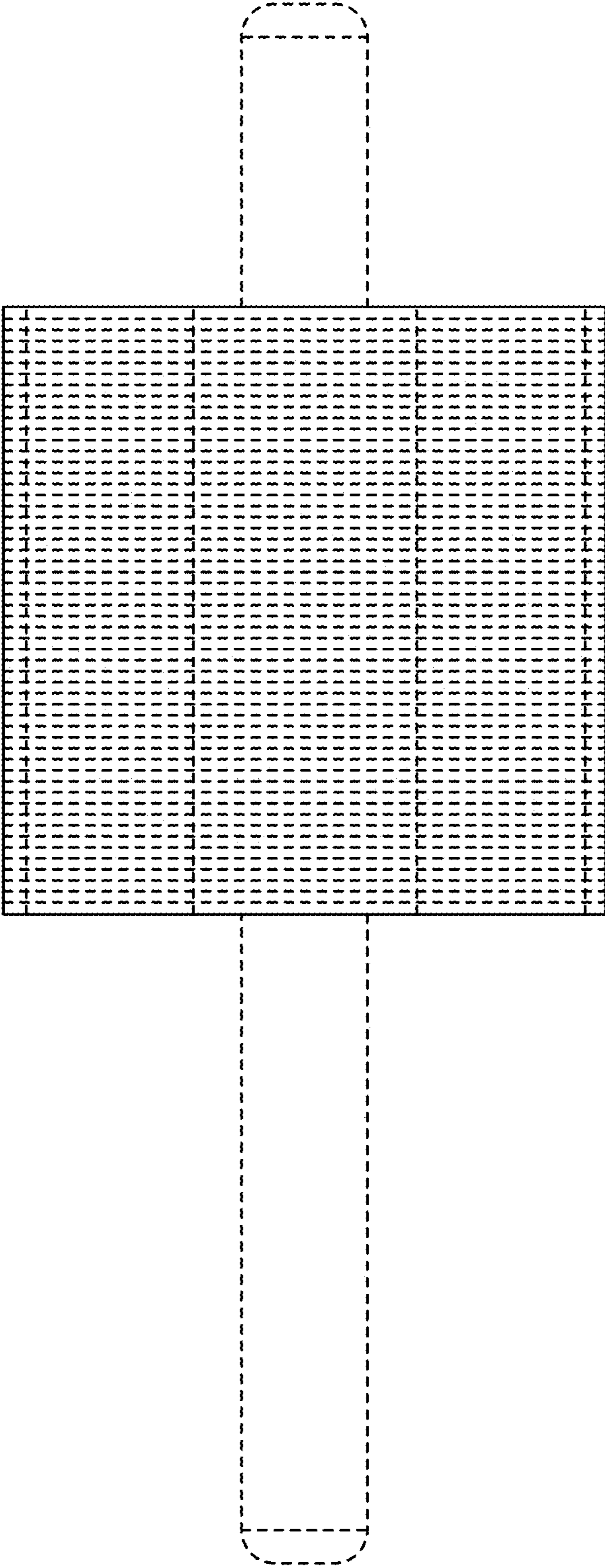


FIG. 2

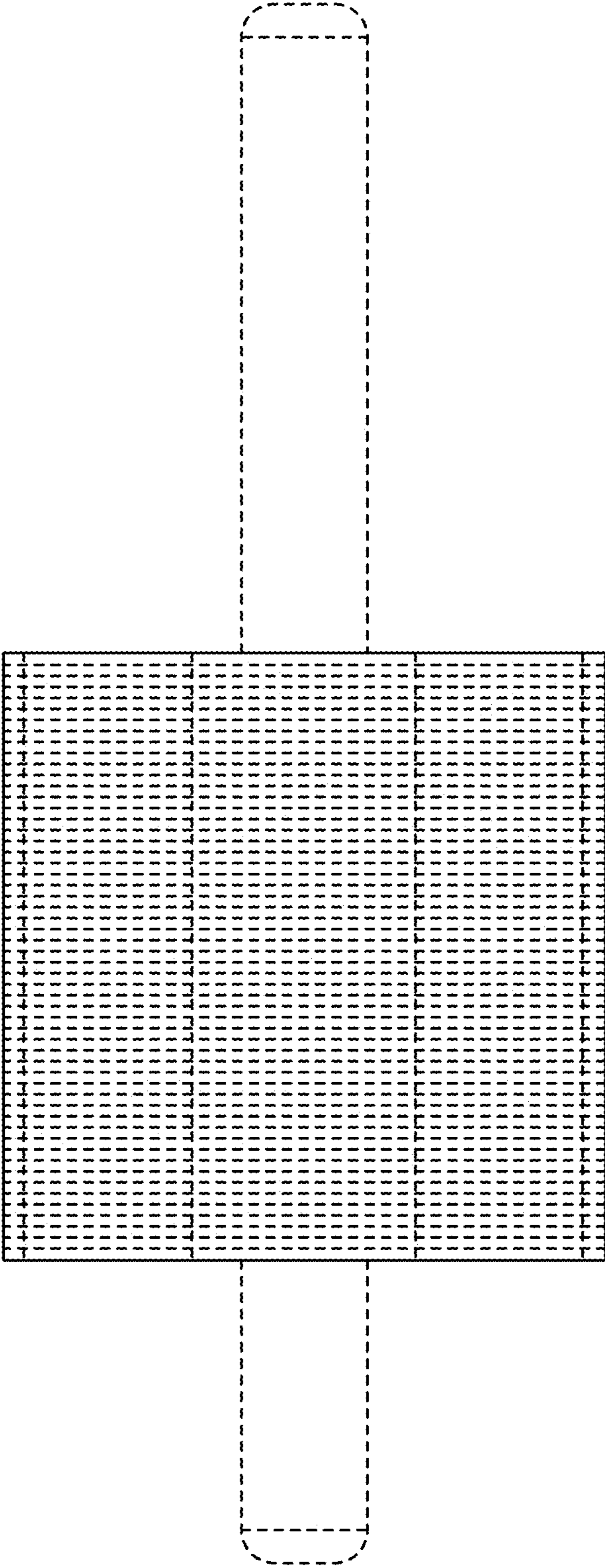


FIG. 3

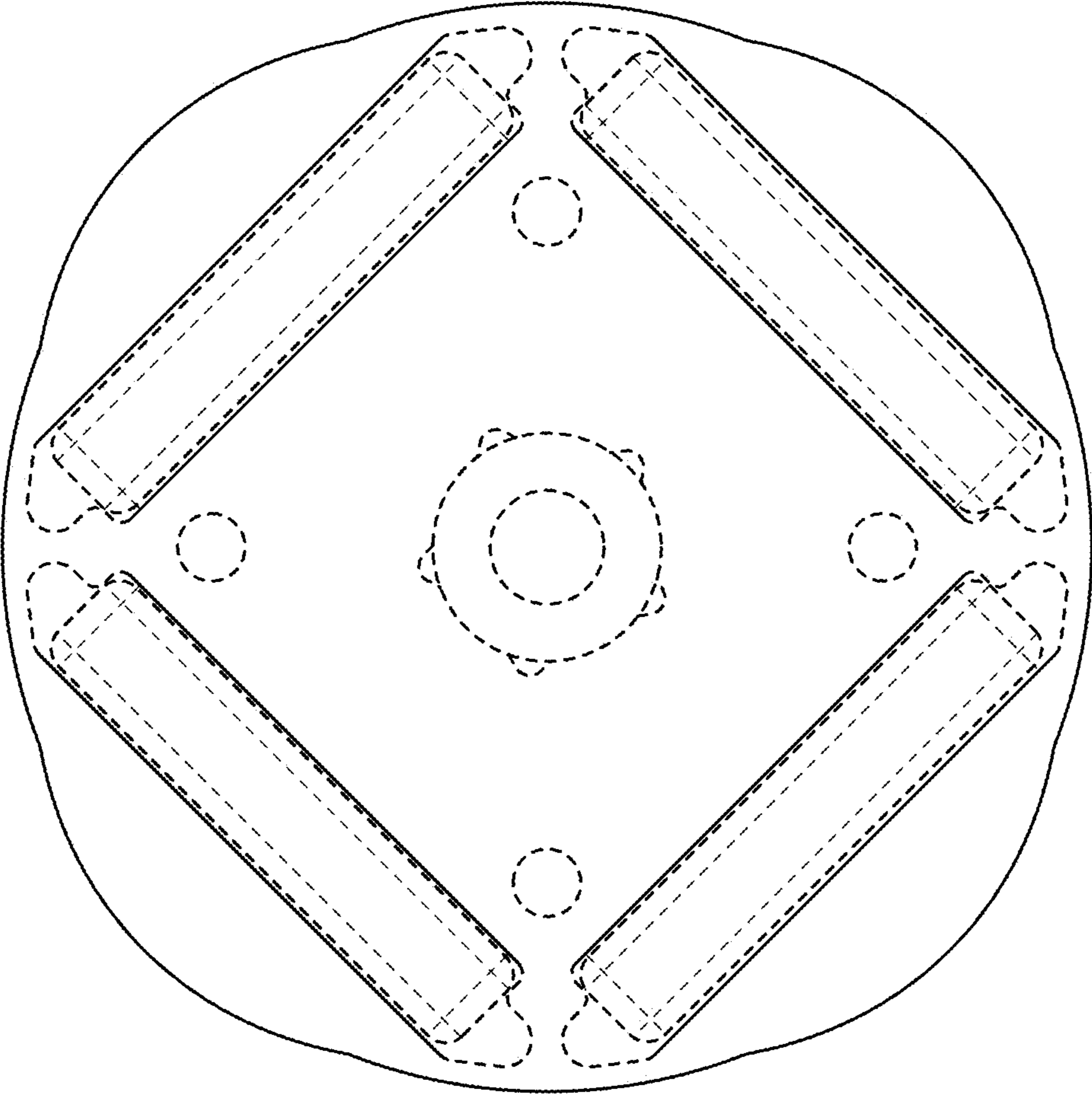


FIG. 4

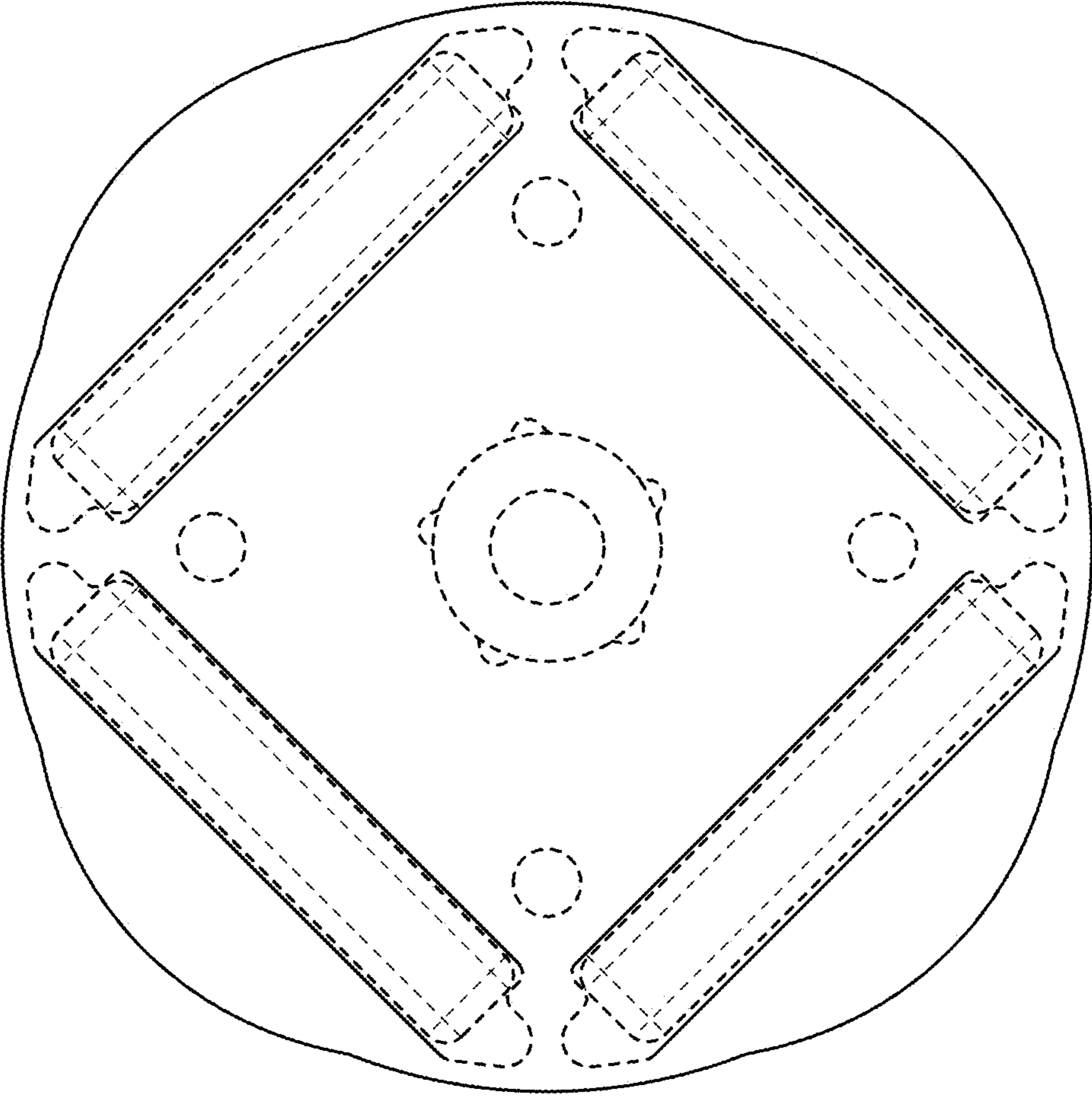


FIG. 5

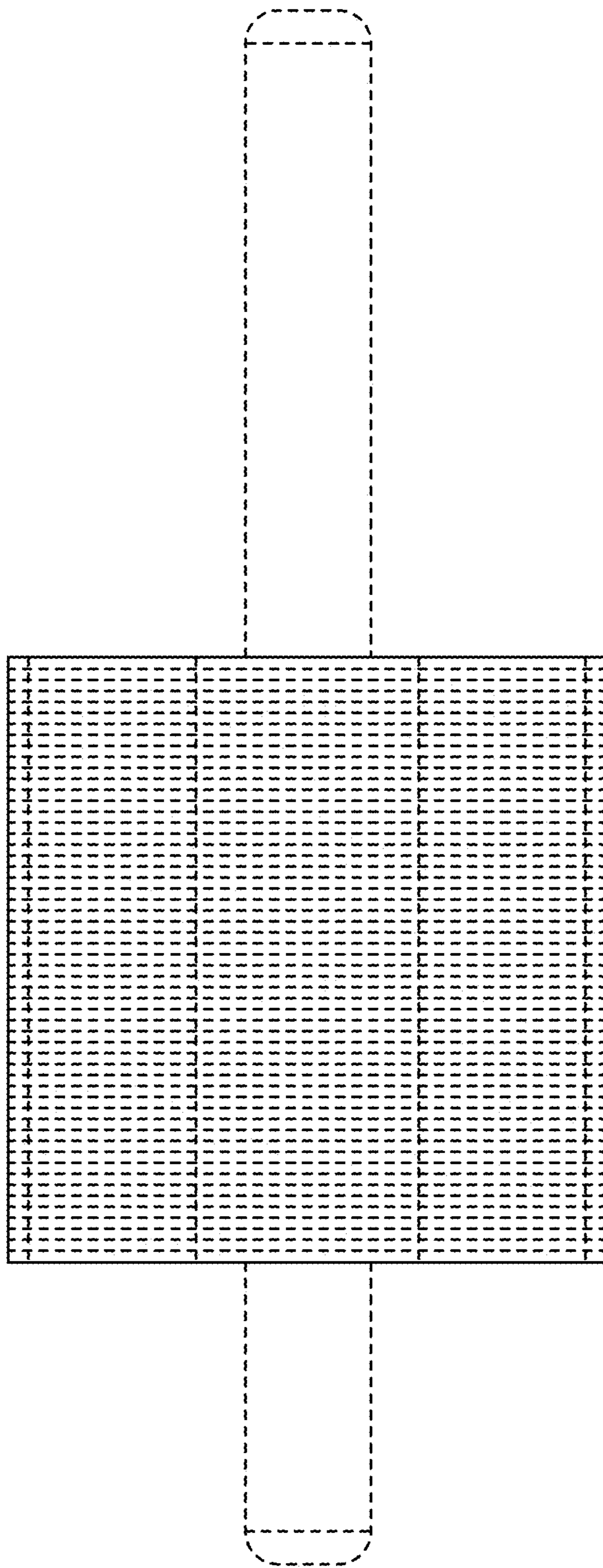


FIG. 6

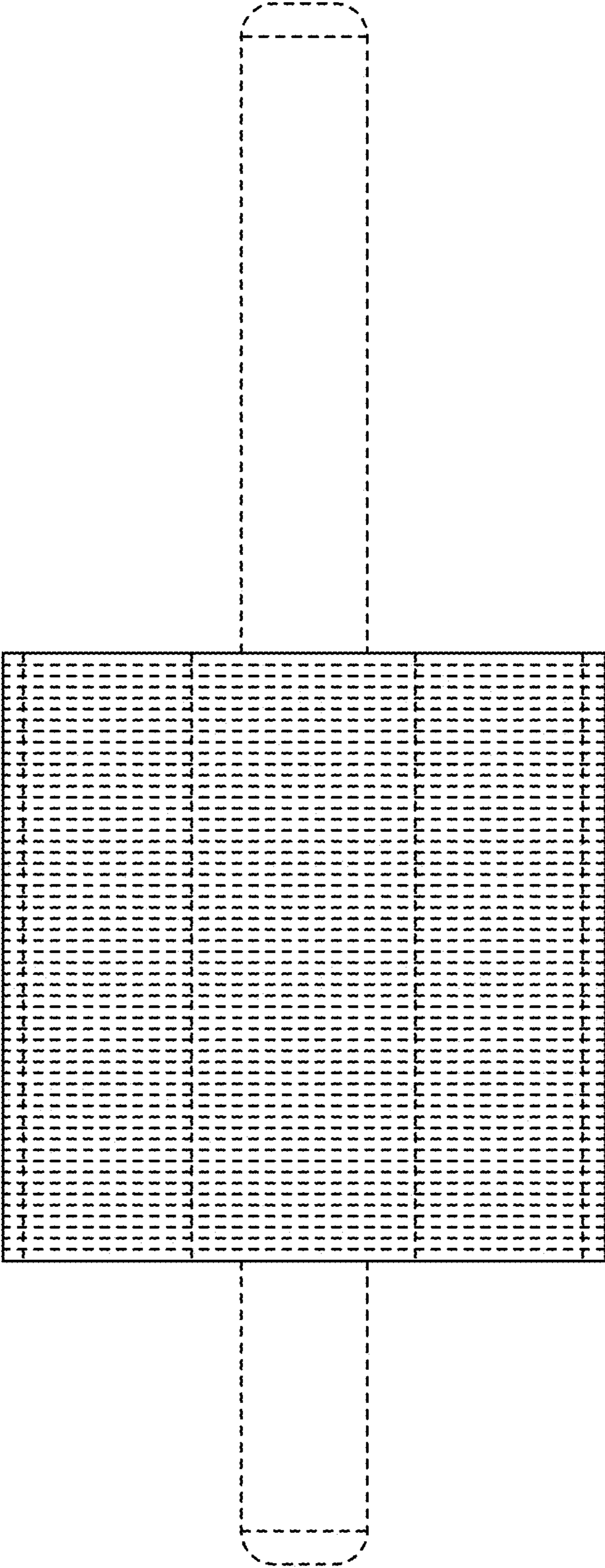


FIG. 7