



US00D905637S

(12) **United States Design Patent**
Gou

(10) **Patent No.:** **US D905,637 S**

(45) **Date of Patent:** **** Dec. 22, 2020**

(54) **SWITCHING POWER SUPPLY**

(56) **References Cited**

(71) Applicant: **Guangzhou Yihua Electronic Equipment Co., Ltd.**, Guangdong (CN)

U.S. PATENT DOCUMENTS

(72) Inventor: **Mingkang Gou**, Guangdong (CN)

D491,523 S *	6/2004	Chi	D13/110
D506,977 S *	7/2005	Lee	D13/110
D568,242 S *	5/2008	Ogawa	D13/110
D620,886 S *	8/2010	Flattinger	D13/116
D657,742 S *	4/2012	Grafe	D13/110
D762,754 S *	8/2016	Kita	D15/144.2

(73) Assignee: **Guangzhou Yihua Electronic Equipment Co., Ltd.**, Guangdong (CN)

* cited by examiner

(**) Term: **15 Years**

Primary Examiner — Derrick E Holland

(21) Appl. No.: **29/689,550**

(74) *Attorney, Agent, or Firm* — Lucas & Mercanti, LLP

(22) Filed: **Apr. 30, 2019**

(57) **CLAIM**

(30) **Foreign Application Priority Data**

The ornamental design for a switching power supply, as shown and described.

Oct. 30, 2018 (EP) 005811999-0006

DESCRIPTION

(51) **LOC (12) Cl.** **13-02**

(52) **U.S. Cl.**
USPC **D13/110**

(58) **Field of Classification Search**
USPC D13/101, 103, 110, 112, 118, 119, 123,
D13/184, 199; D15/144, 144.1, 144.2,
D15/199

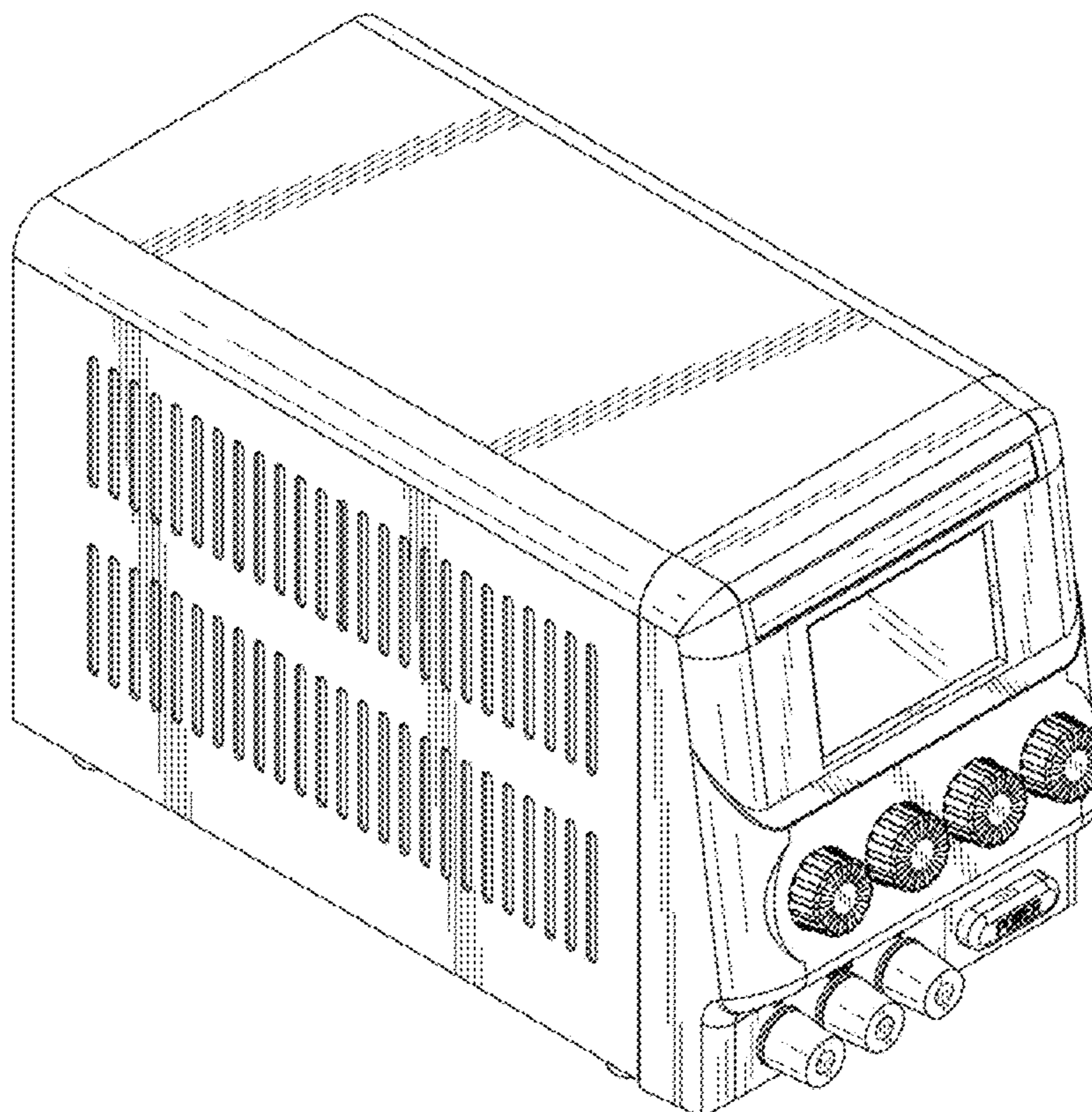
CPC G06F 1/188; G06F 1/189; H01M 2/204;
H01M 2/0202; H01M 2/1022; H01M
2/0456; H01M 2/1055; H01M 2/1005;
H01M 2/1066; Y02E 60/12; F23D 14/52

See application file for complete search history.

FIG. 1 is a perspective view of a switching power supply showing my new design;
FIG. 2 is a front view thereof;
FIG. 3 is a rear view thereof;
FIG. 4 is a left side view thereof;
FIG. 5 is a right side view thereof;
FIG. 6 is a top view thereof; and,
FIG. 7 is a bottom view thereof.

The broken lines shown represent the portions of the switching power supply that form no part of the claimed design.

1 Claim, 7 Drawing Sheets



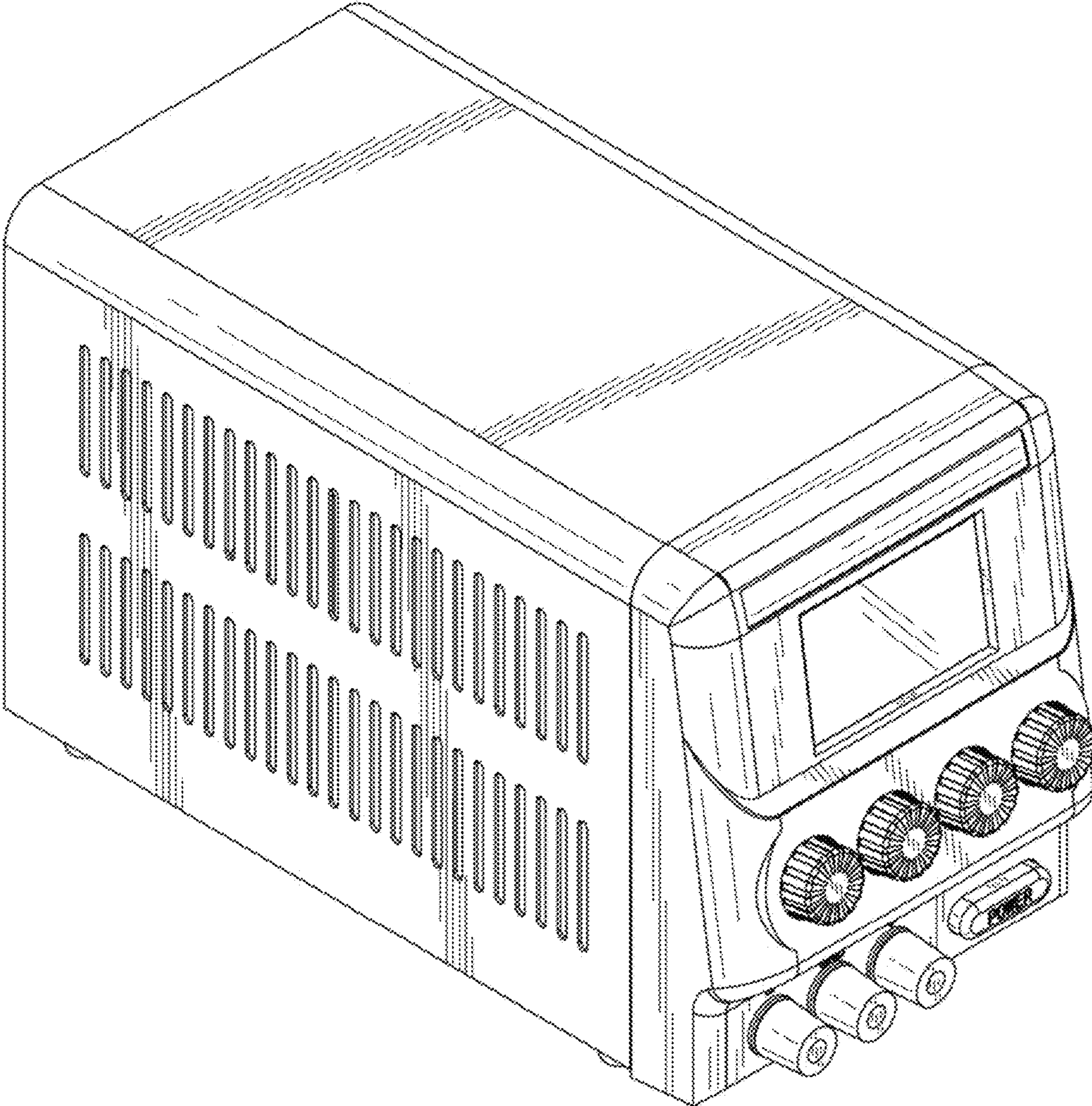


FIG. 1

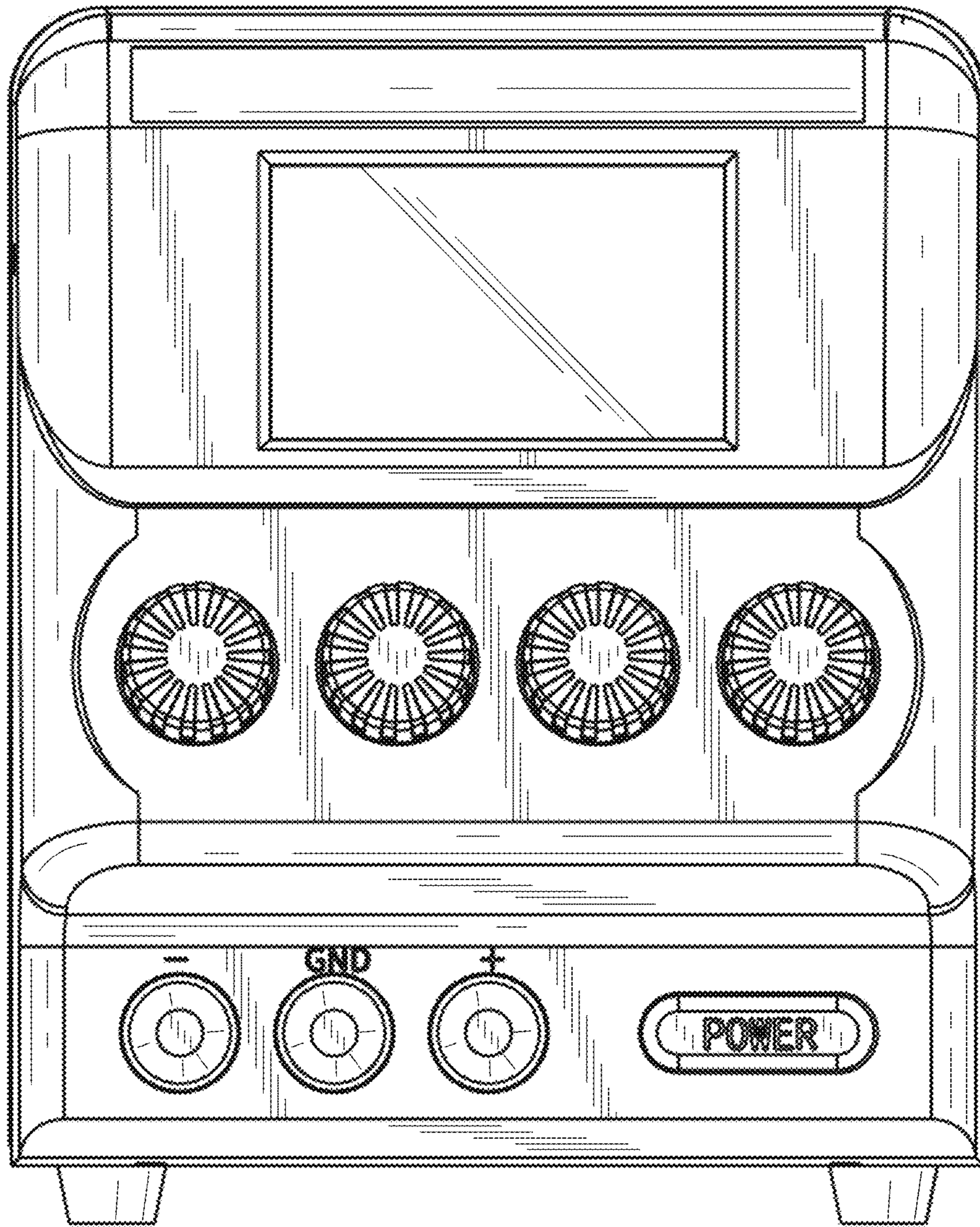


FIG. 2

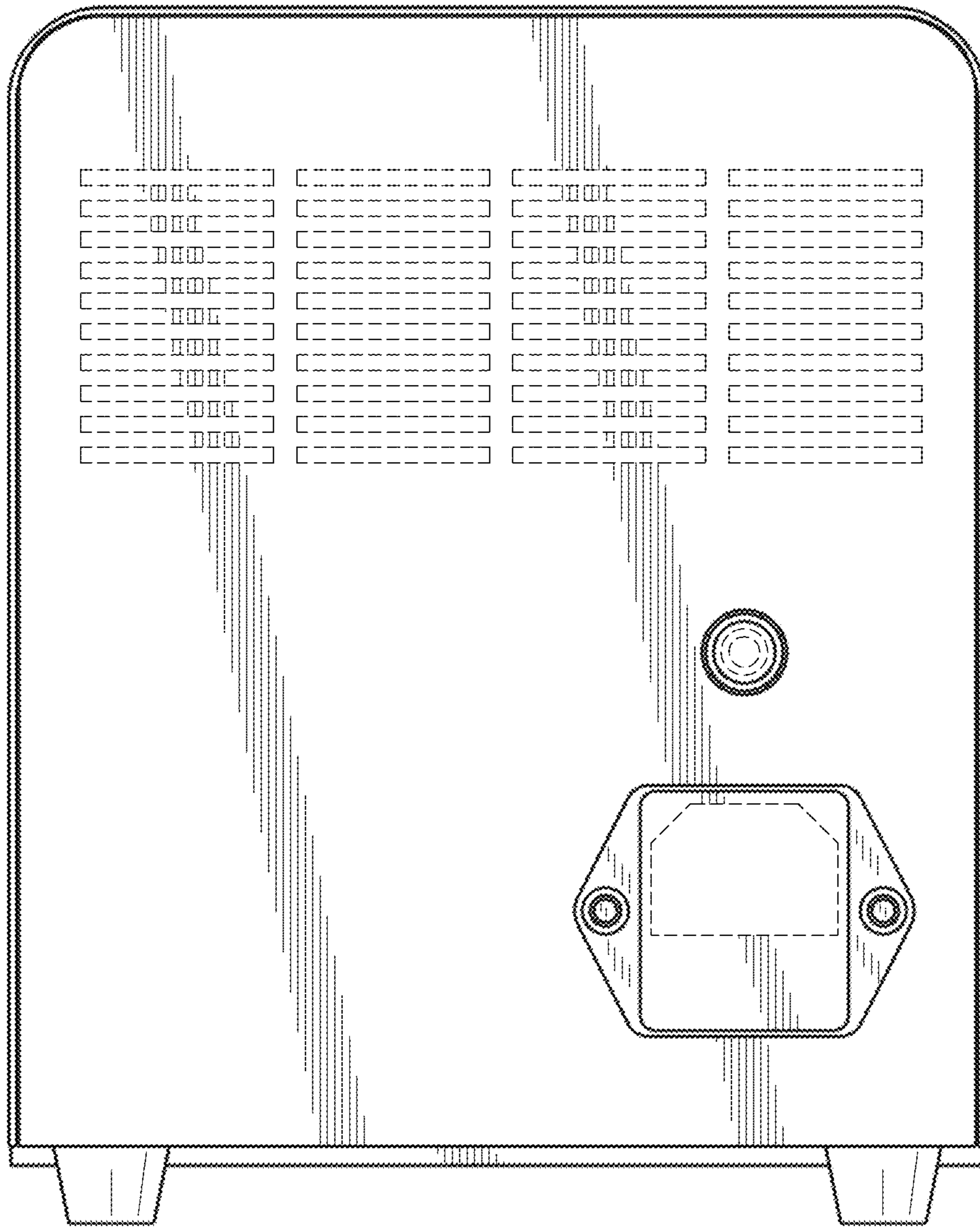


FIG. 3

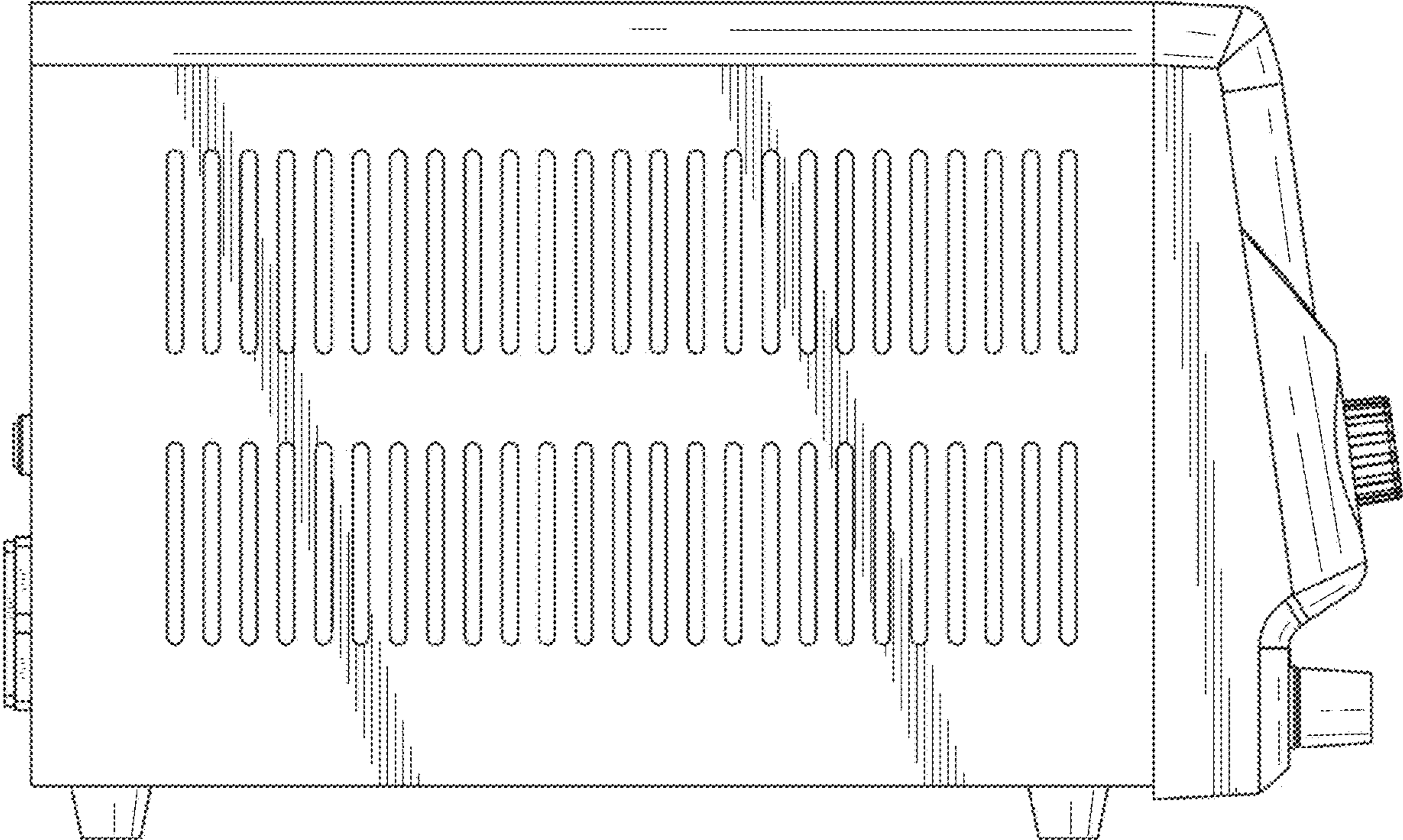


FIG. 4

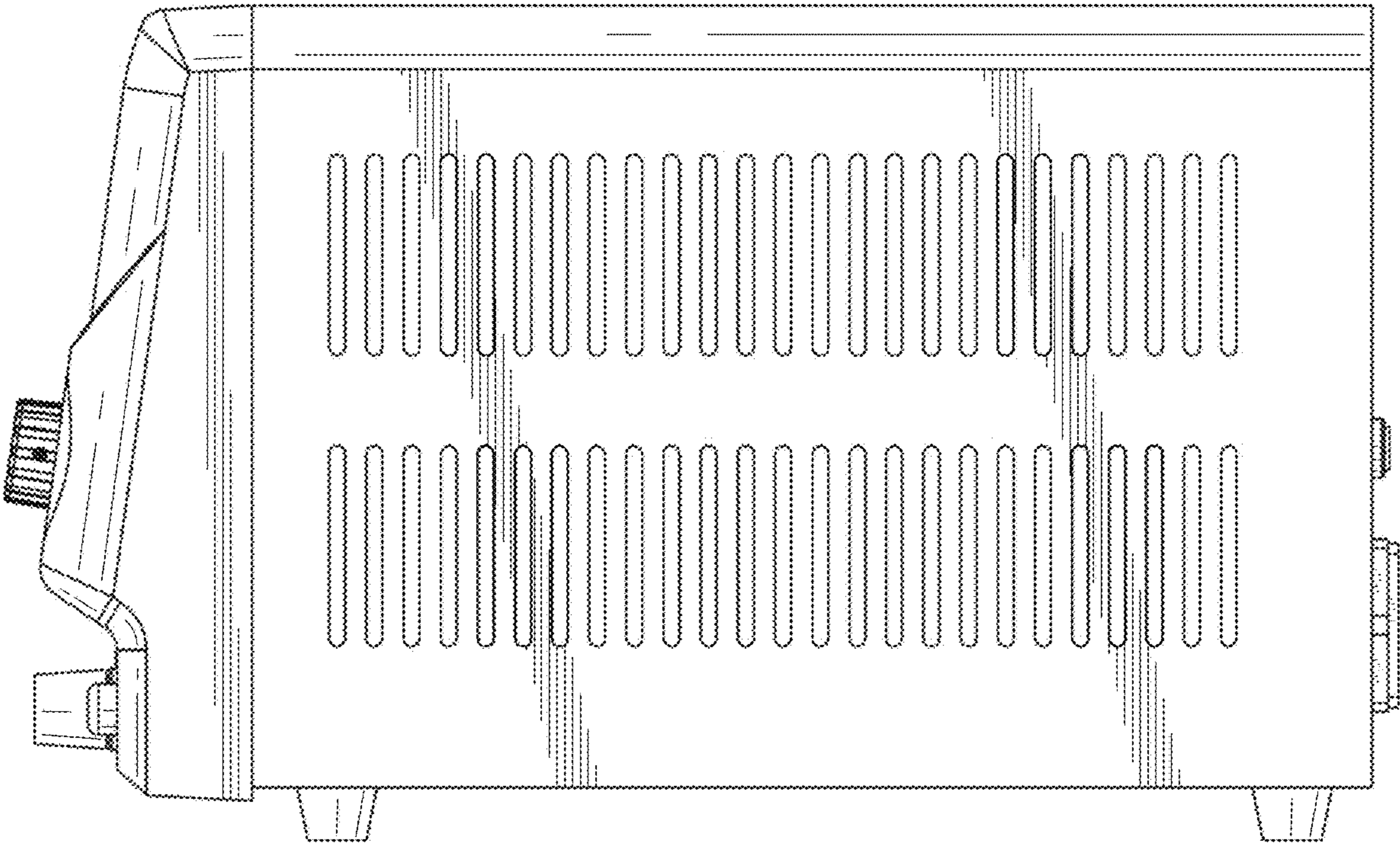


FIG. 5

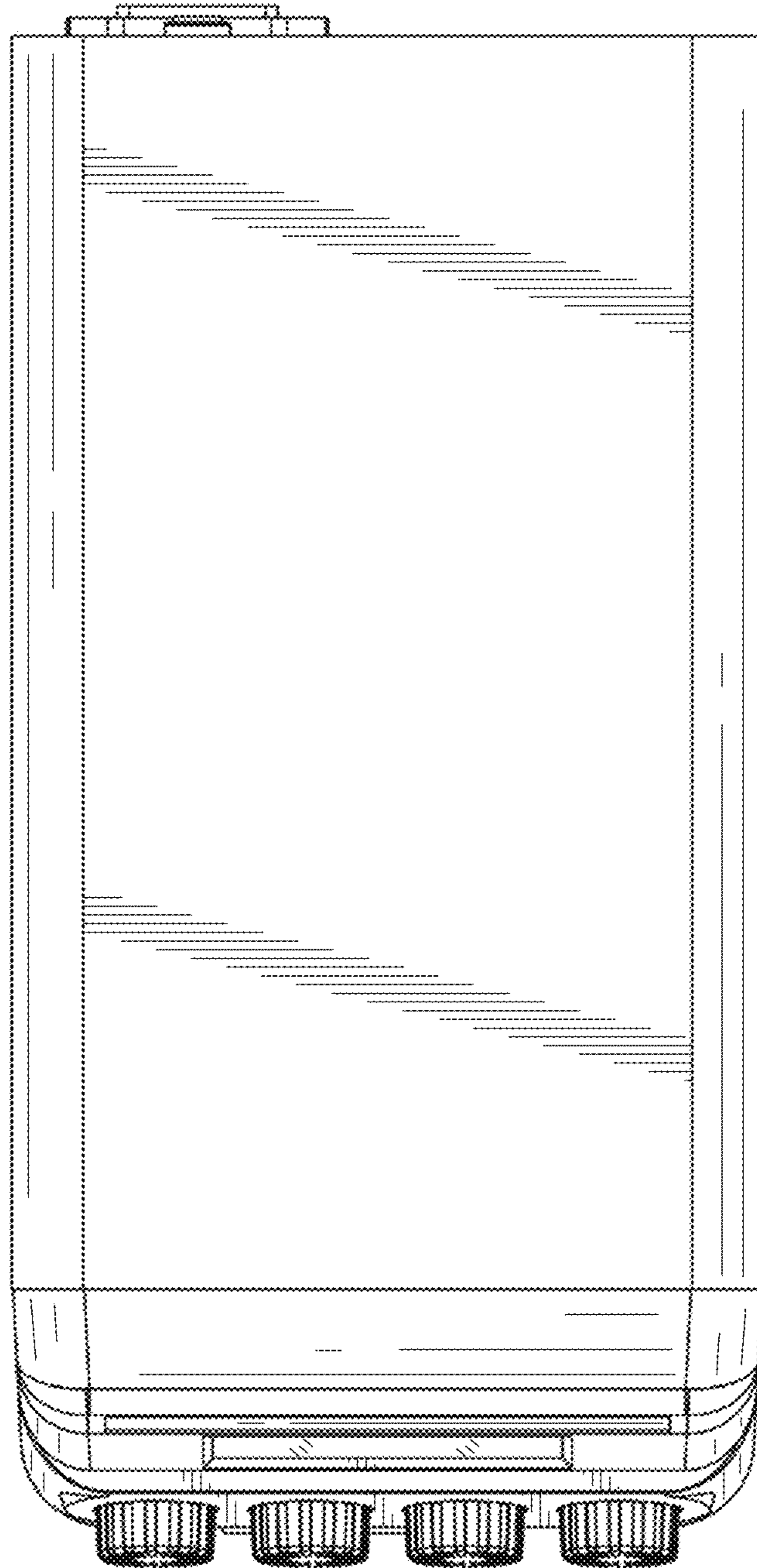


FIG. 6

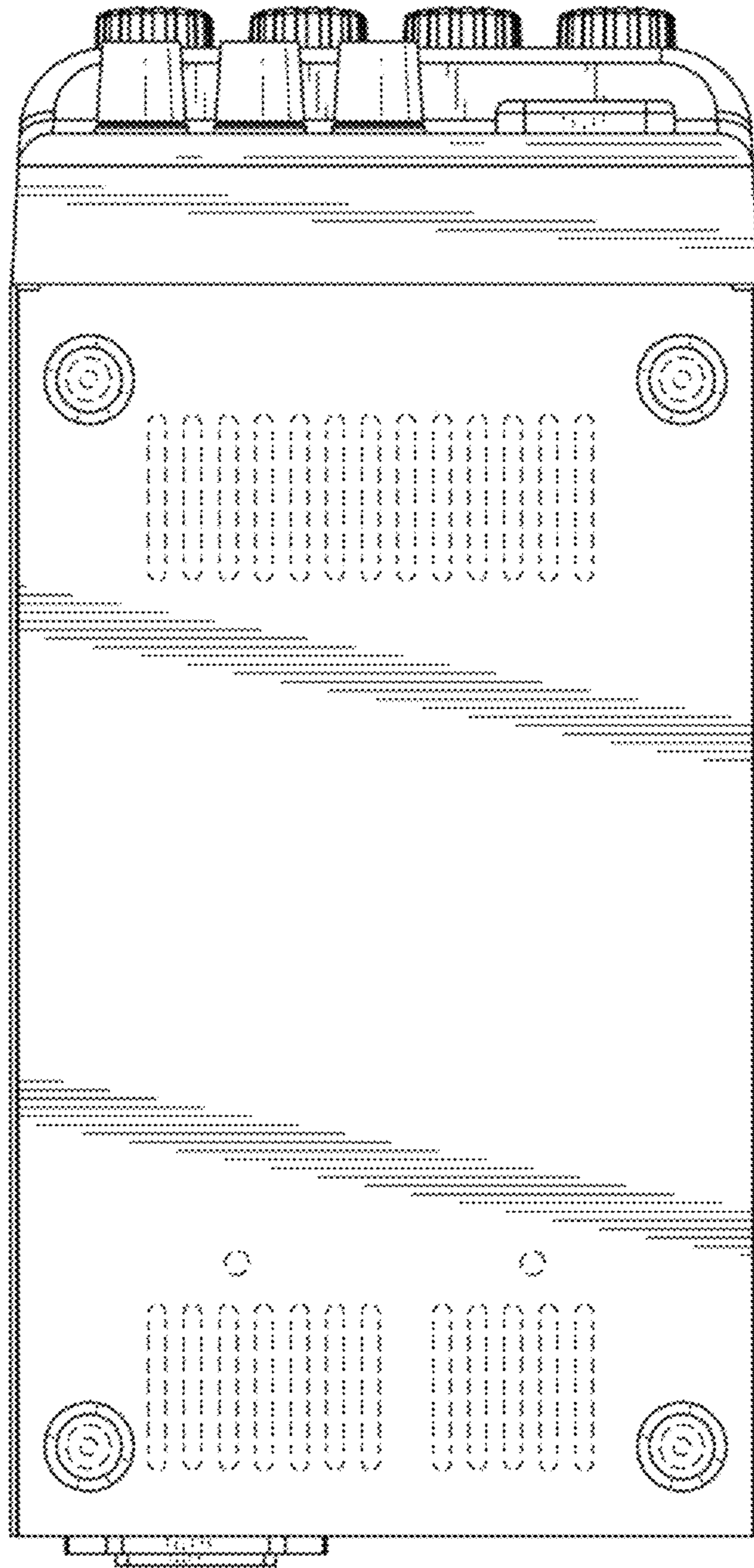


FIG. 7