



US00D905636S

(12) **United States Design Patent**
Daneels et al.

(10) **Patent No.:** **US D905,636 S**

(45) **Date of Patent:** **** Dec. 22, 2020**

(54) **CAPACITOR BUSBAR DEVICE**
(71) Applicant: **Rogers BVBA**, Evergem (BE)
(72) Inventors: **Jan Daneels**, Evergem (BE); **Pablo Pas Sagues**, Evergem (BE); **Crystal Tang**, Suzhou (CN); **Sebastiaan De Boodt**, Evergem (BE); **Jan Vandewynckel**, Evergem (BE)

(73) Assignee: **ROGERS BVBA**, Evergem (BE)

(**) Term: **15 Years**

(21) Appl. No.: **29/671,401**

(22) Filed: **Nov. 27, 2018**

(30) **Foreign Application Priority Data**

May 30, 2018 (EM) 005 289 576

(51) **LOC (12) Cl.** **13-02**

(52) **U.S. Cl.**
USPC **D13/110**

(58) **Field of Classification Search**
USPC D13/110, 123-132, 107, 117, 160, 171,
D13/154, 184, 199, 139.6, 138.1, 138.2
CPC H01G 4/224; H01G 4/232; H01G 4/28;
H01G 4/385; H01G 4/40
See application file for complete search history.

(56) **References Cited**

U.S. PATENT DOCUMENTS

D363,056 S * 10/1995 Vinciarelli D13/110
D387,033 S * 12/1997 Rodriguez D13/110
D389,120 S * 1/1998 Rodriguez D13/110
D503,149 S * 3/2005 Teramae D13/110
D553,566 S * 10/2007 Katoh D13/125
D556,218 S * 11/2007 Hansen D13/123
D667,789 S * 9/2012 O'Neil D13/110
D682,208 S * 5/2013 Kobayashi D13/118
D689,445 S * 9/2013 Chu D13/158

D817,897 S * 5/2018 Lin D13/164
D834,528 S * 11/2018 Harogolige Padmanabha
D13/154
D853,961 S * 7/2019 Kanarellis D13/110
D867,311 S * 11/2019 Hikima D13/171
2015/0213952 A1* 7/2015 Horowy H01G 4/14
361/306.3
2017/0194878 A1* 7/2017 Jones H02M 7/003
(Continued)

FOREIGN PATENT DOCUMENTS

DE 102015113873 B3 * 7/2016 H01G 2/08
SG 20031458J-0001 * 12/2003

OTHER PUBLICATIONS

Rogers corp. Link: <https://www.rogerscorp.com/-/media/project/rogerscorp/documents/power-electronics-solutions/english/brochures/rolinx-e-mobility-solutions-brochure.pdf>. Visited Nov. 21, 2019. ROLINX® e-Mobility Solutions brochure. (Year: 2019).*

(Continued)

Primary Examiner — Lauren D McVey

(74) *Attorney, Agent, or Firm* — Cantor Colburn LLP

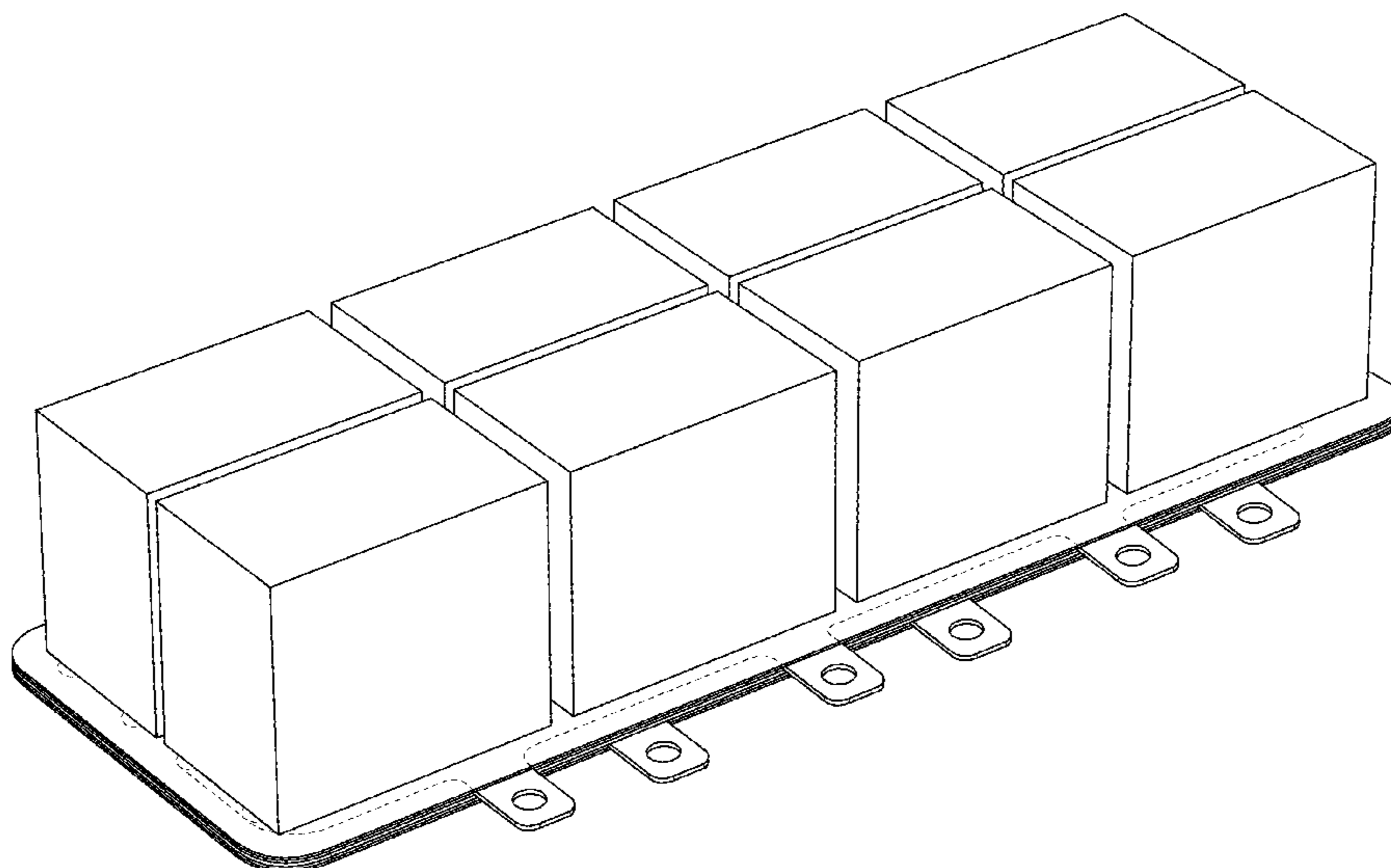
(57) **CLAIM**

We claim, the ornamental design for a capacitor busbar device, as shown and described.

DESCRIPTION

FIG. 1 is a front top perspective view of a capacitor busbar device showing our new design;
FIG. 2 is a top view thereof;
FIG. 3 is a bottom view thereof;
FIG. 4 is a first side perspective view thereof;
FIG. 5 is a second side perspective view thereof;
FIG. 6 is a front perspective view thereof; and,
FIG. 7 is a rear perspective view thereof.
The broken lines depict portions of the capacitor busbar device that form no part of the claimed design.

1 Claim, 7 Drawing Sheets



(56)

References Cited

U.S. PATENT DOCUMENTS

2020/0185302 A1* 6/2020 Lu H01L 25/115

OTHER PUBLICATIONS

Electronics know-how. Link: <http://electronics-know-how.com/article/2659/optimize-the-integration-of-capacitors-on-busbar-to-achieve-lowest-inductance>. Visited Nov. 21, 2019. Optimize the integration of capacitors on busbar to achieve lowest inductance. (Year: 2019).*

* cited by examiner

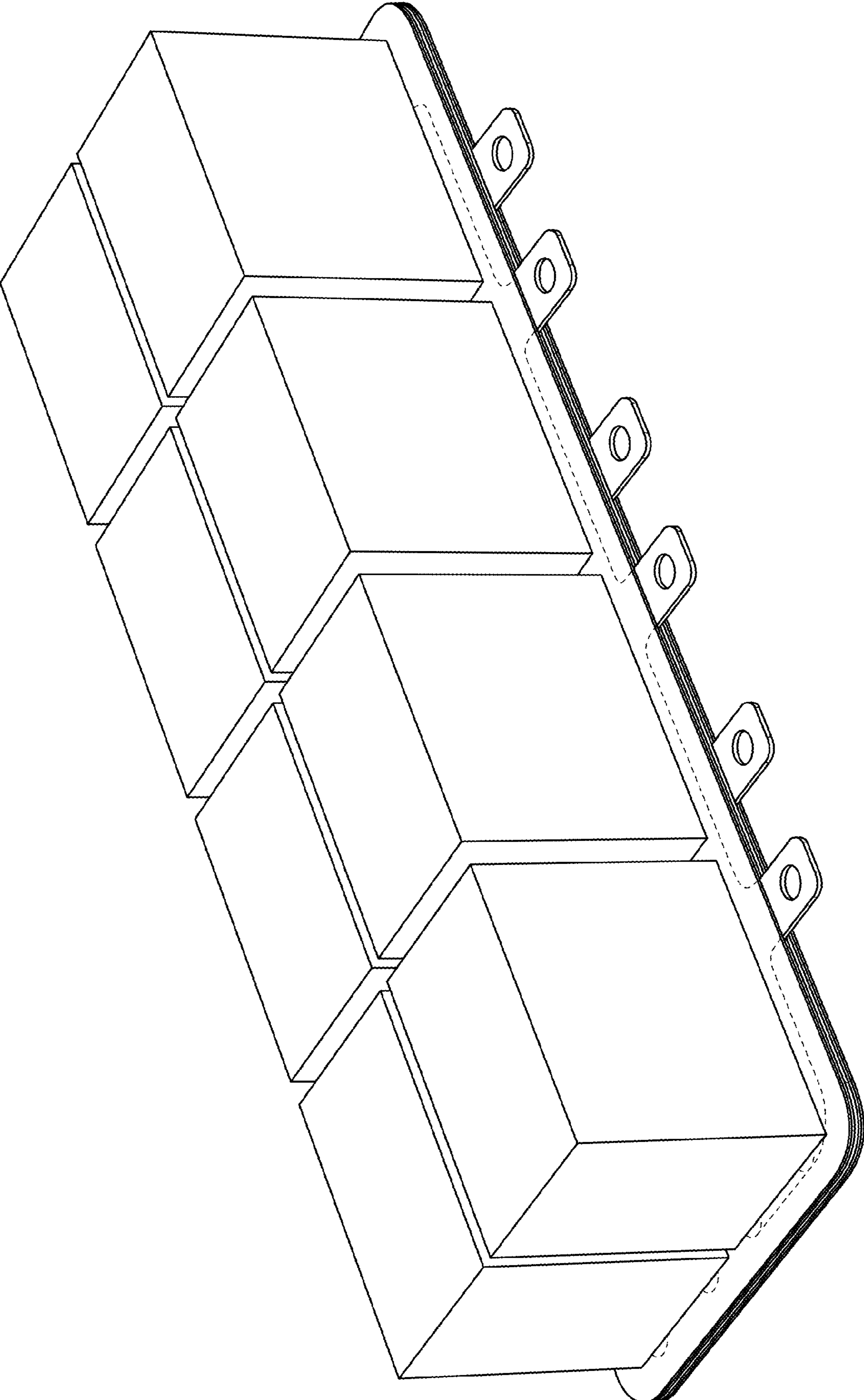


FIG. 1

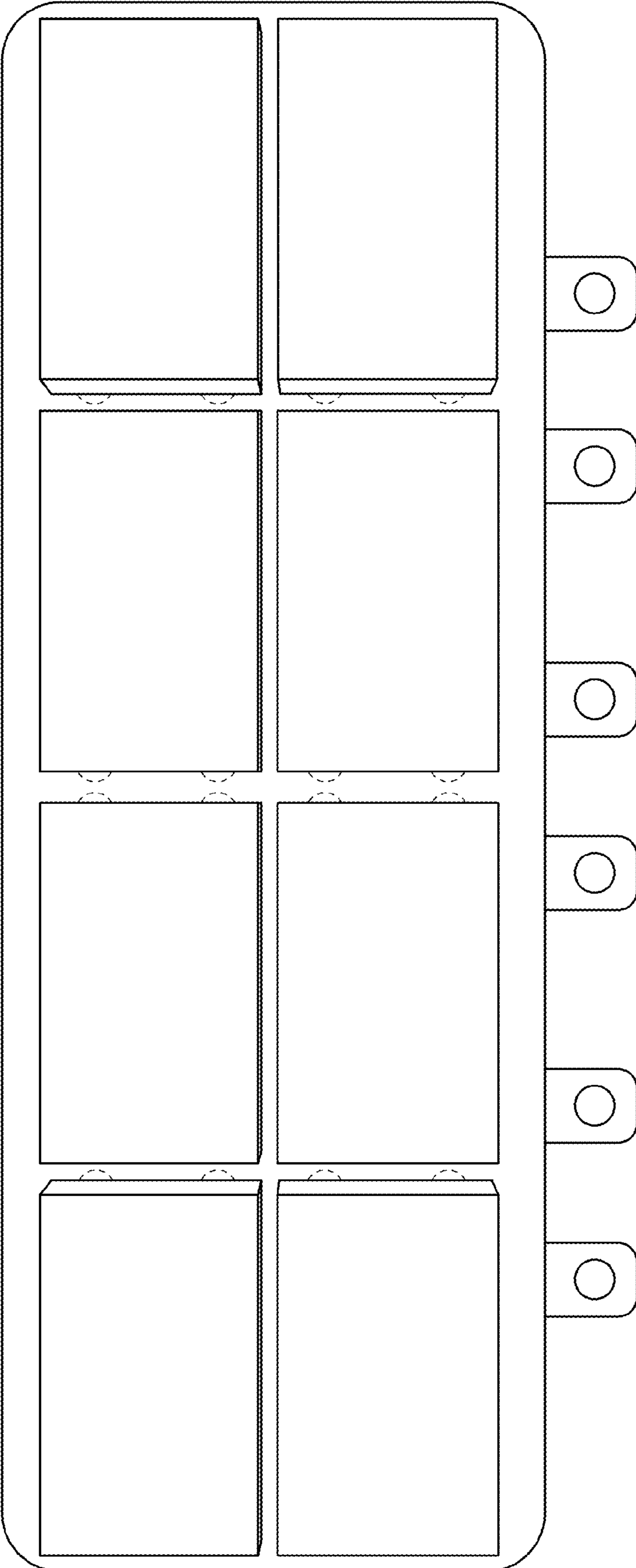


FIG. 2

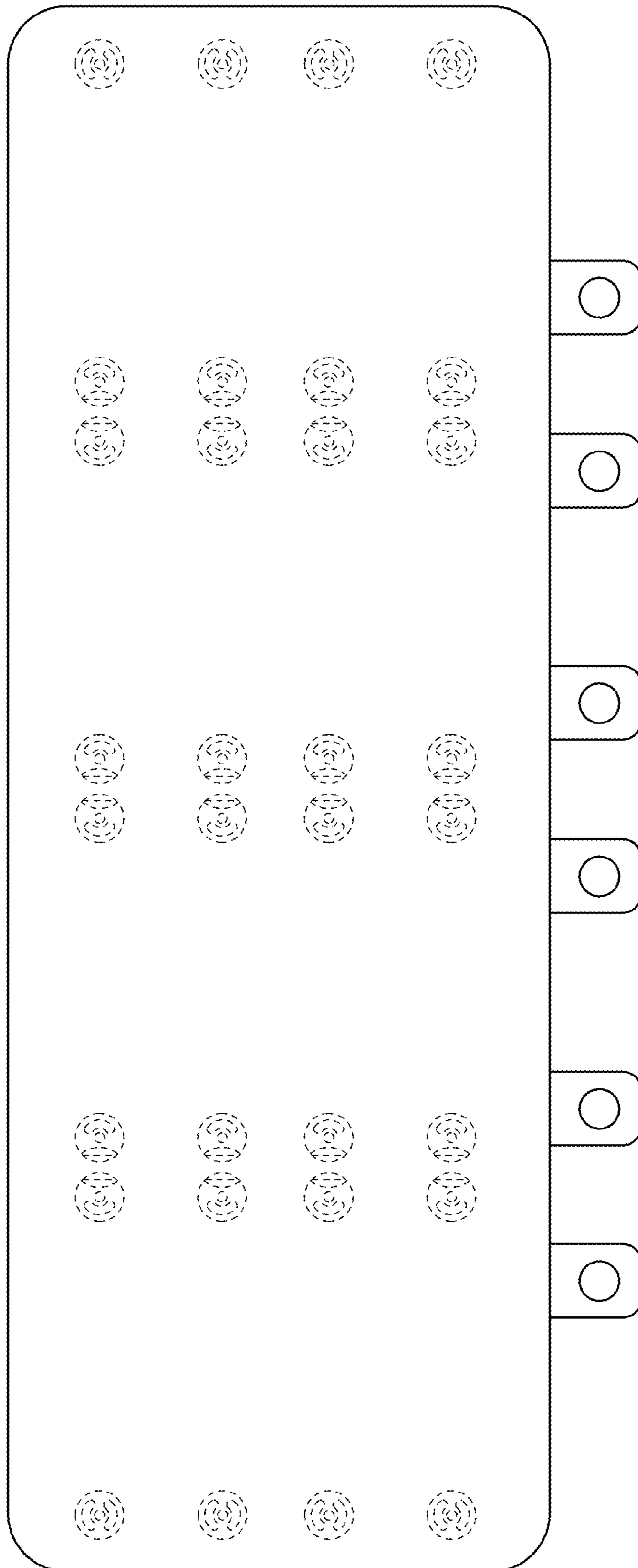


FIG. 3

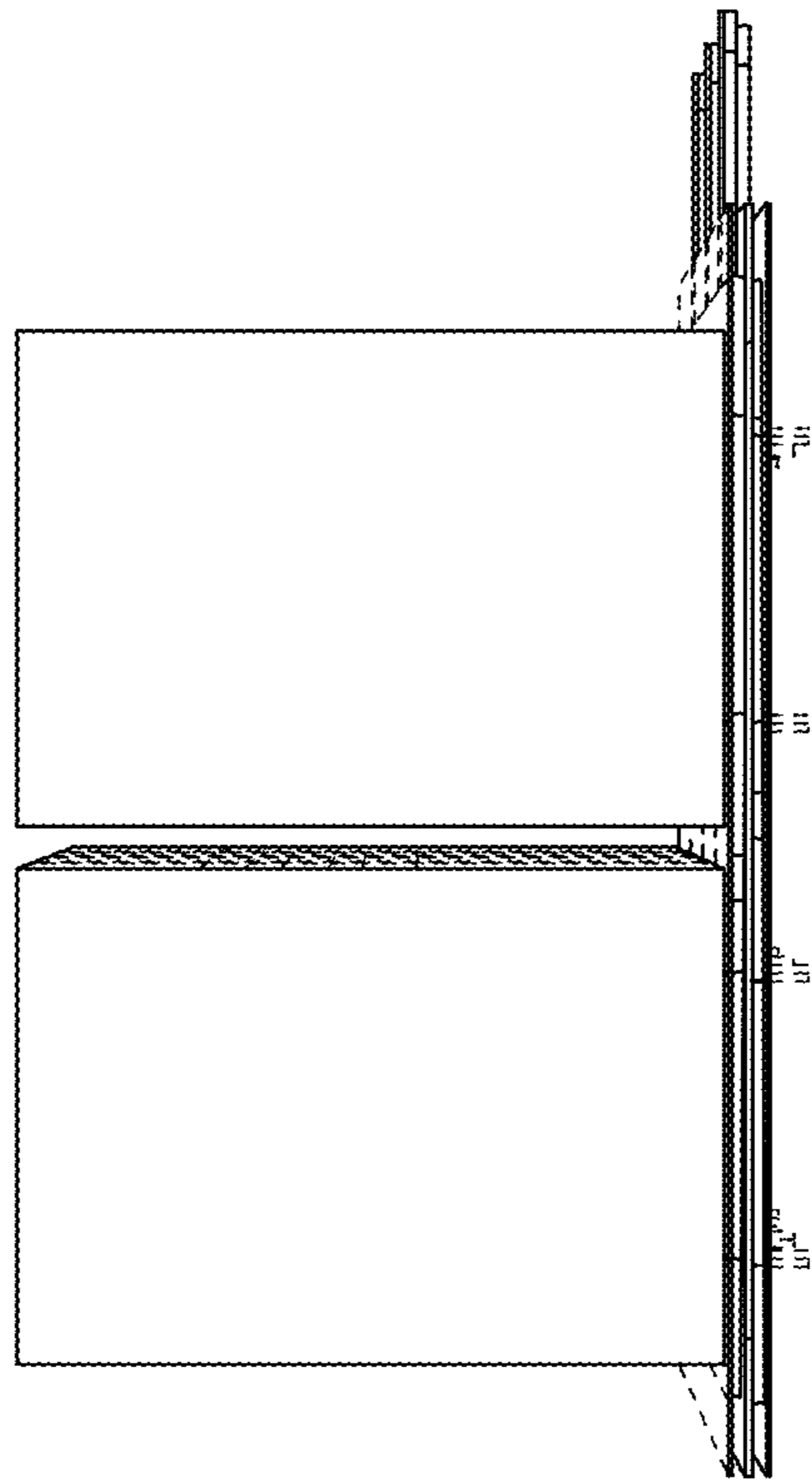


FIG. 4

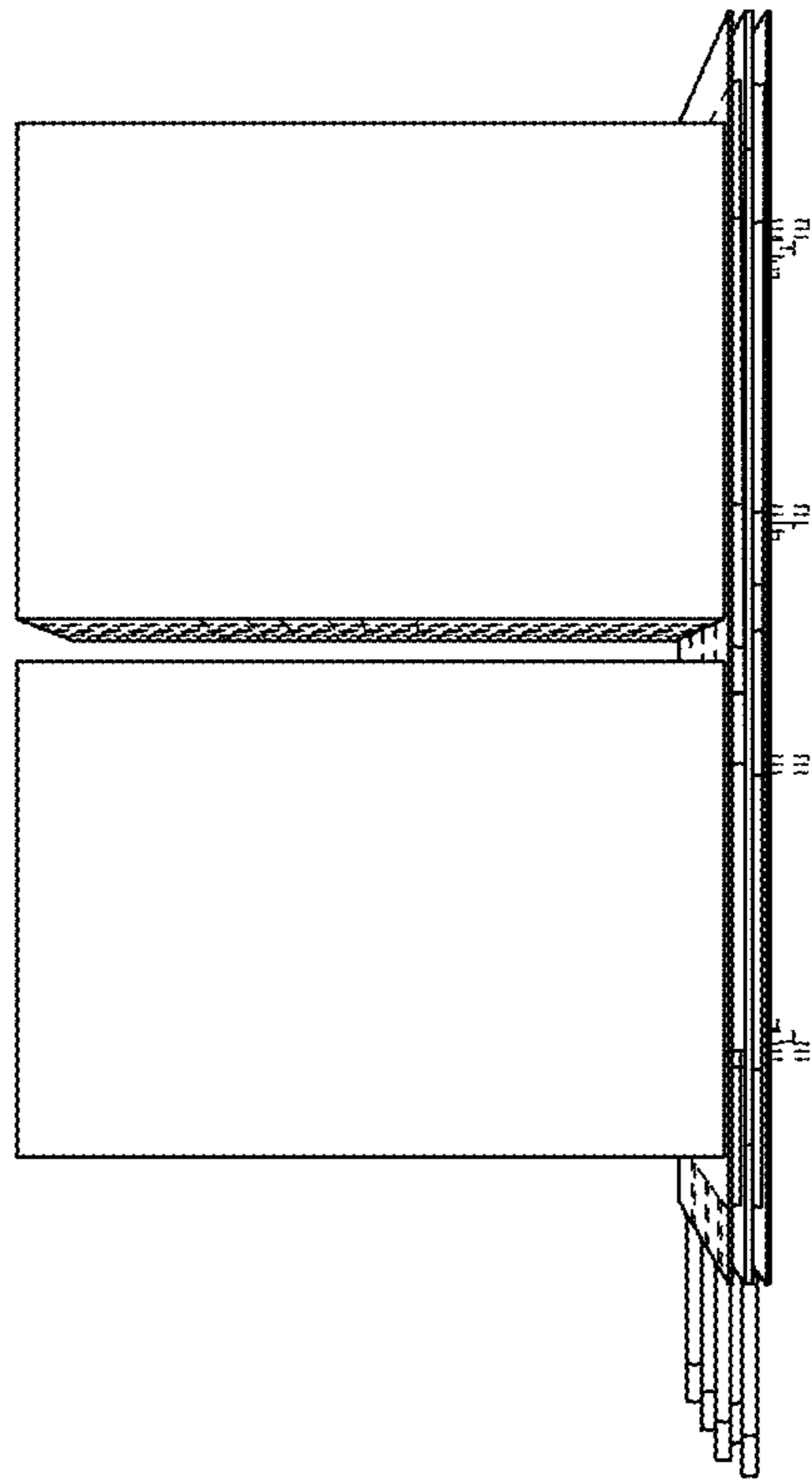


FIG. 5

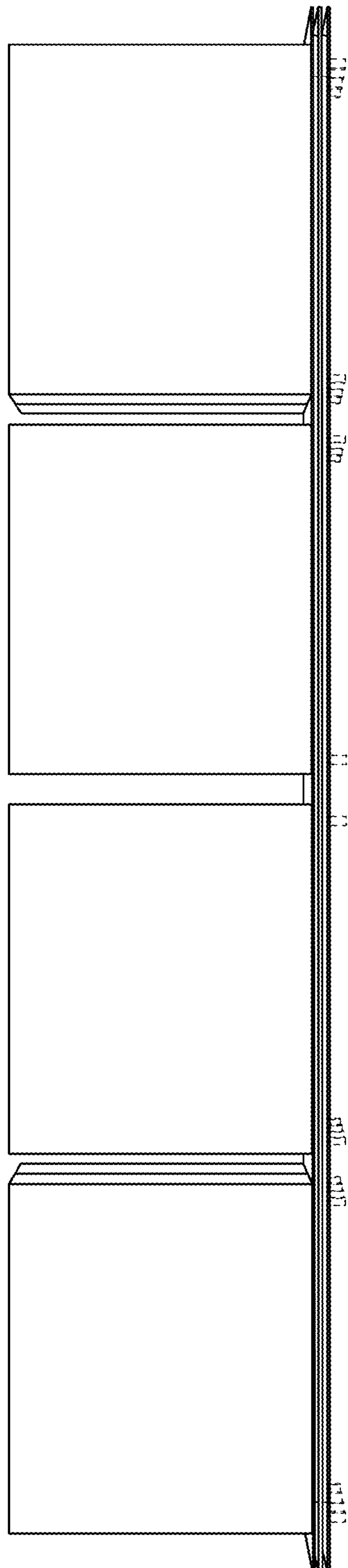


FIG. 6

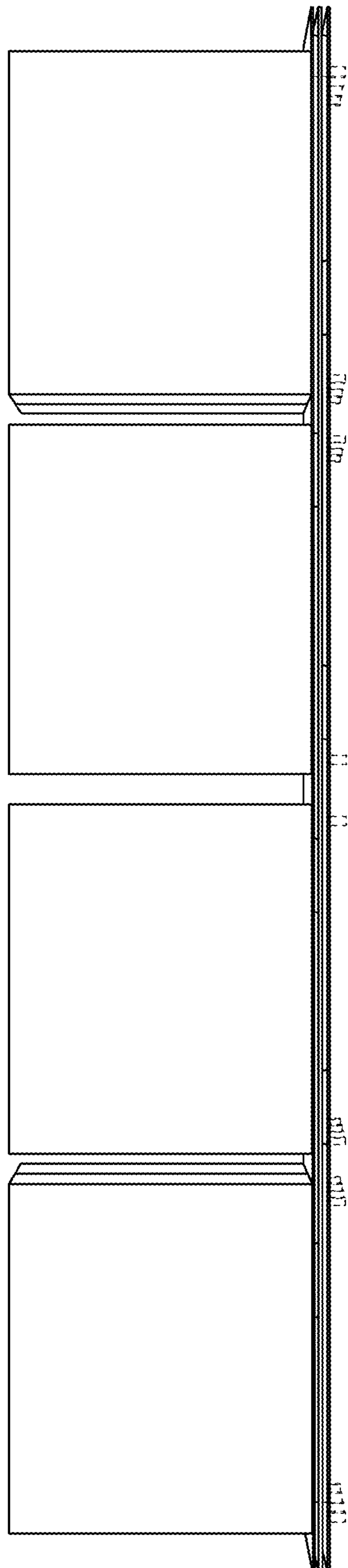


FIG. 7