



US00D905634S

(12) **United States Design Patent**  
**Inskeep et al.**

(10) **Patent No.:** **US D905,634 S**

(45) **Date of Patent:** **\*\* Dec. 22, 2020**

(54) **INVERTER**

(71) Applicant: **Vector Products, Inc.**, Boca Raton, FL (US)

(72) Inventors: **Mathew Inskeep**, Highland Beach, FL (US); **Ling To Shum**, Boca Raton, FL (US)

(73) Assignee: **VECTOR PRODUCTS, INC.**, Boca Raton, FL (US)

(\*\*) Term: **15 Years**

(21) Appl. No.: **29/644,984**

(22) Filed: **Apr. 23, 2018**

(51) **LOC (12) Cl.** ..... **13-02**

(52) **U.S. Cl.**  
USPC ..... **D13/110**

(58) **Field of Classification Search**  
USPC ..... D13/103, 104, 107, 110, 112, 119, 120, D13/133, 156  
CPC ..... H01R 13/641; H01M 2/1022; H01M 2/1027; H01M 2/1072; H01M 2/105; H01M 2/1077; H02B 1/20  
See application file for complete search history.

(56) **References Cited**

U.S. PATENT DOCUMENTS

D657,307 S	*	4/2012	Zhao	.....	D13/103
D658,578 S	*	5/2012	Davis	.....	D13/103
D812,555 S	*	3/2018	Schoch	.....	D13/103
D818,948 S	*	5/2018	Waldron	.....	D13/103
D819,562 S	*	6/2018	Waldron	.....	D13/103
D826,149 S	*	8/2018	Cooper	.....	D13/103
D826,150 S	*	8/2018	Cayon	.....	D13/103
D829,646 S	*	10/2018	Tse	.....	D13/103

D835,573 S	*	12/2018	Chen	.....	D13/103
D836,066 S	*	12/2018	Lim	.....	D13/103
D840,333 S	*	2/2019	Cooper	.....	D13/103
D841,579 S	*	2/2019	Lai	.....	D13/108
D842,359 S	*	3/2019	Imai	.....	D16/237
D844,558 S	*	4/2019	Taniguchi	.....	D13/103
D849,681 S	*	5/2019	Howell	.....	D13/103
D853,319 S	*	7/2019	Nommensen	.....	D13/103
D856,273 S	*	8/2019	Houghton	.....	D13/103
D856,275 S	*	8/2019	Laurino	.....	D13/103
D856,921 S	*	8/2019	Lee	.....	D13/103

\* cited by examiner

*Primary Examiner* — Janice Hallmark

*Assistant Examiner* — Suzanne E Tisdell

(74) *Attorney, Agent, or Firm* — Daniel S. Polley, P.A.

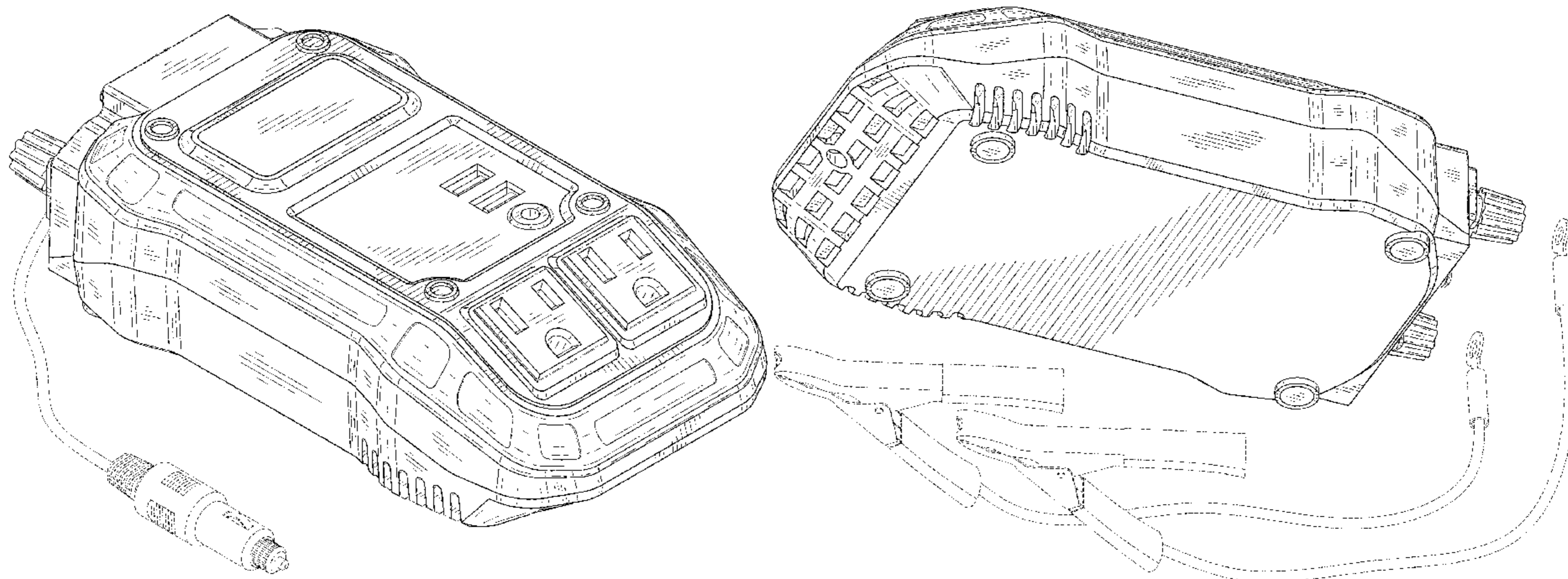
(57) **CLAIM**

We claim the ornamental design for an inverter, as shown and described.

**DESCRIPTION**

FIG. 1 is a top perspective view of the inverter showing our new design with a direct current plug;  
FIG. 2 is a bottom perspective view thereof;  
FIG. 3 is a bottom view thereof shown with charging cables;  
FIG. 4 is a top view thereof shown with a direct current plug;  
FIG. 5 is a bottom view thereof;  
FIG. 6 is a left side view thereof shown with charging cables;  
FIG. 7 is a right side view thereof.  
FIG. 8 is a front view thereof; and,  
FIG. 9 is a back view thereof.  
The broken lines showing a direct current plug and charging cables depict environmental subject matter that forms no part of the claimed design.

**1 Claim, 8 Drawing Sheets**



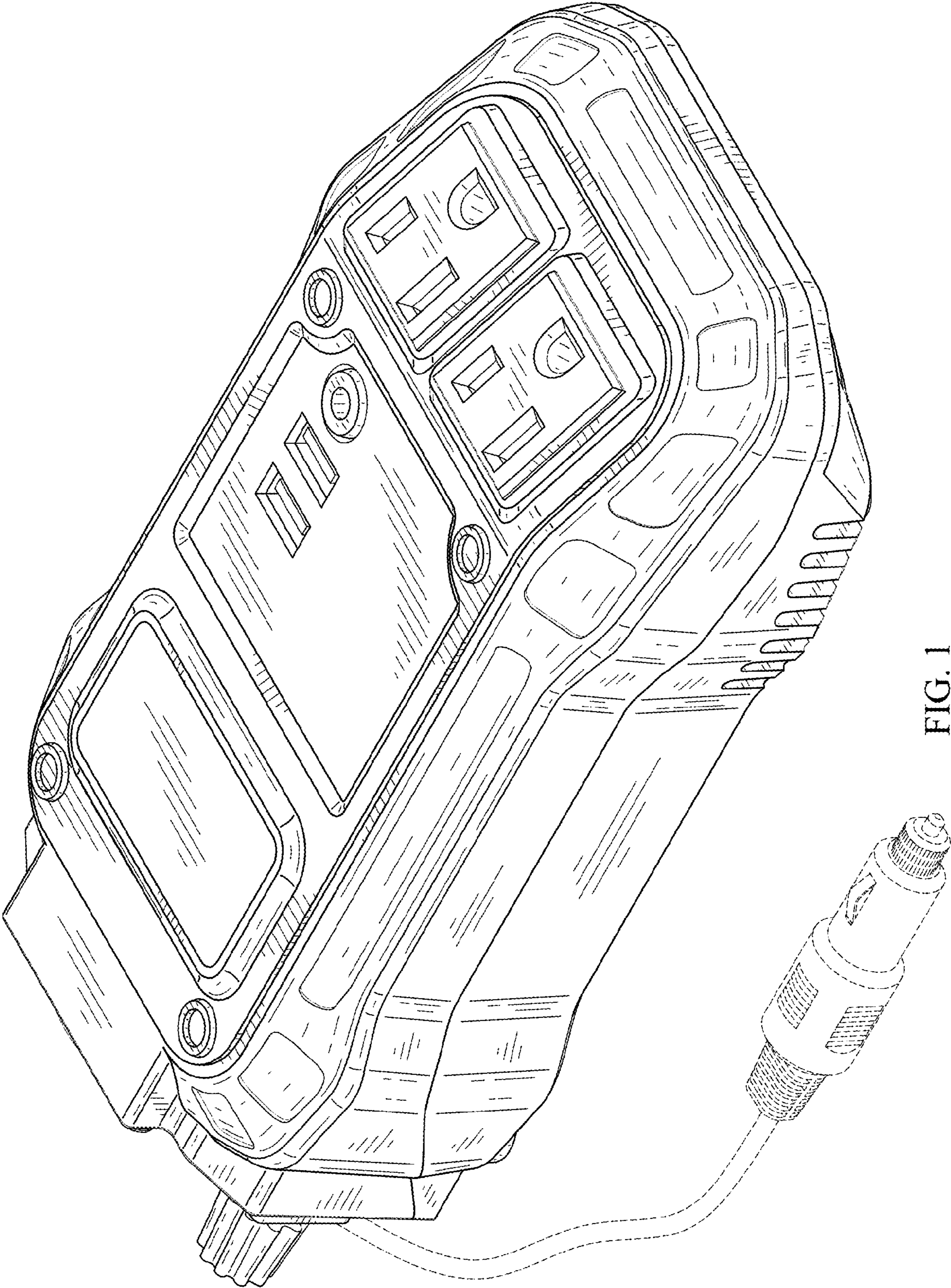


FIG. 1

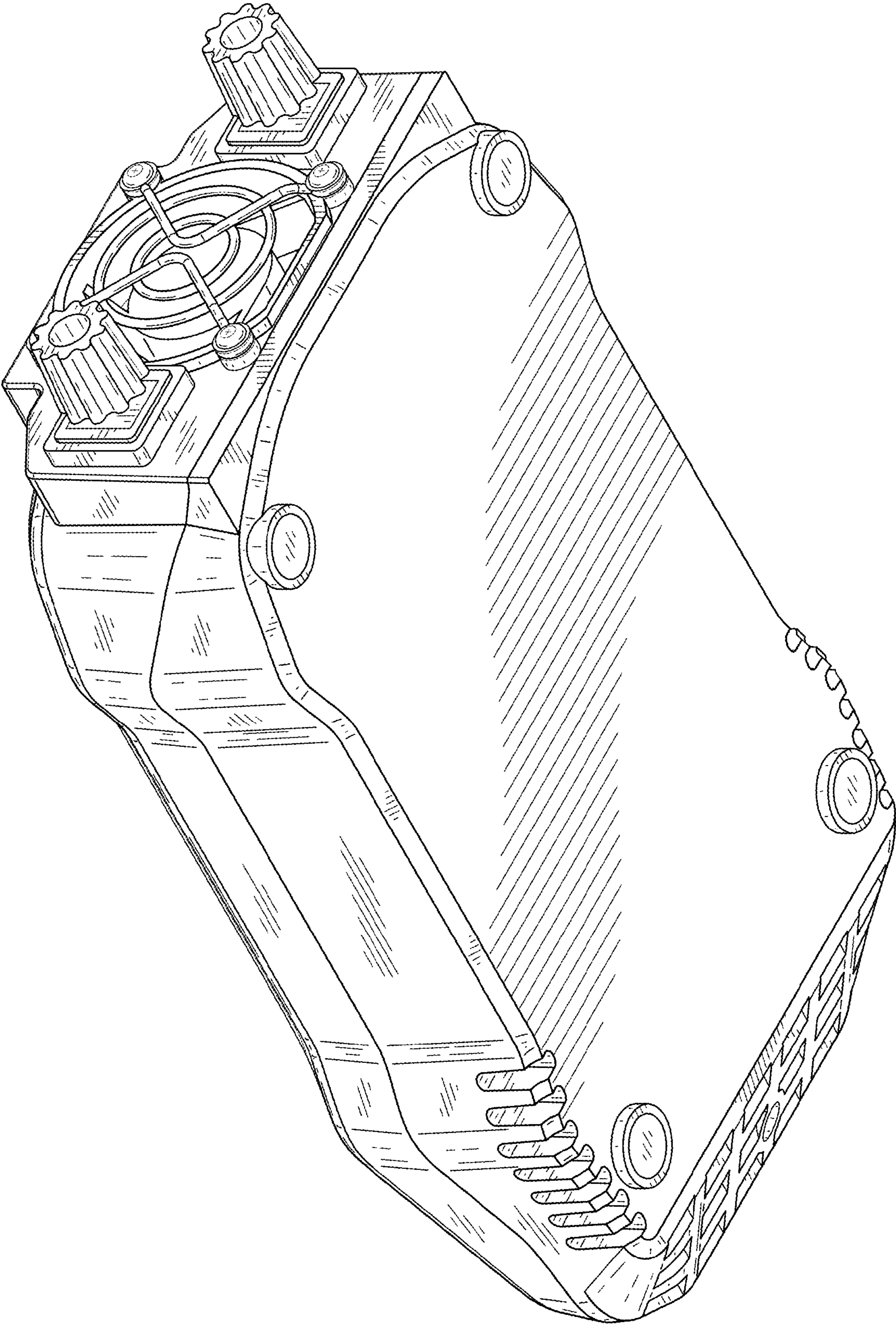


FIG. 2

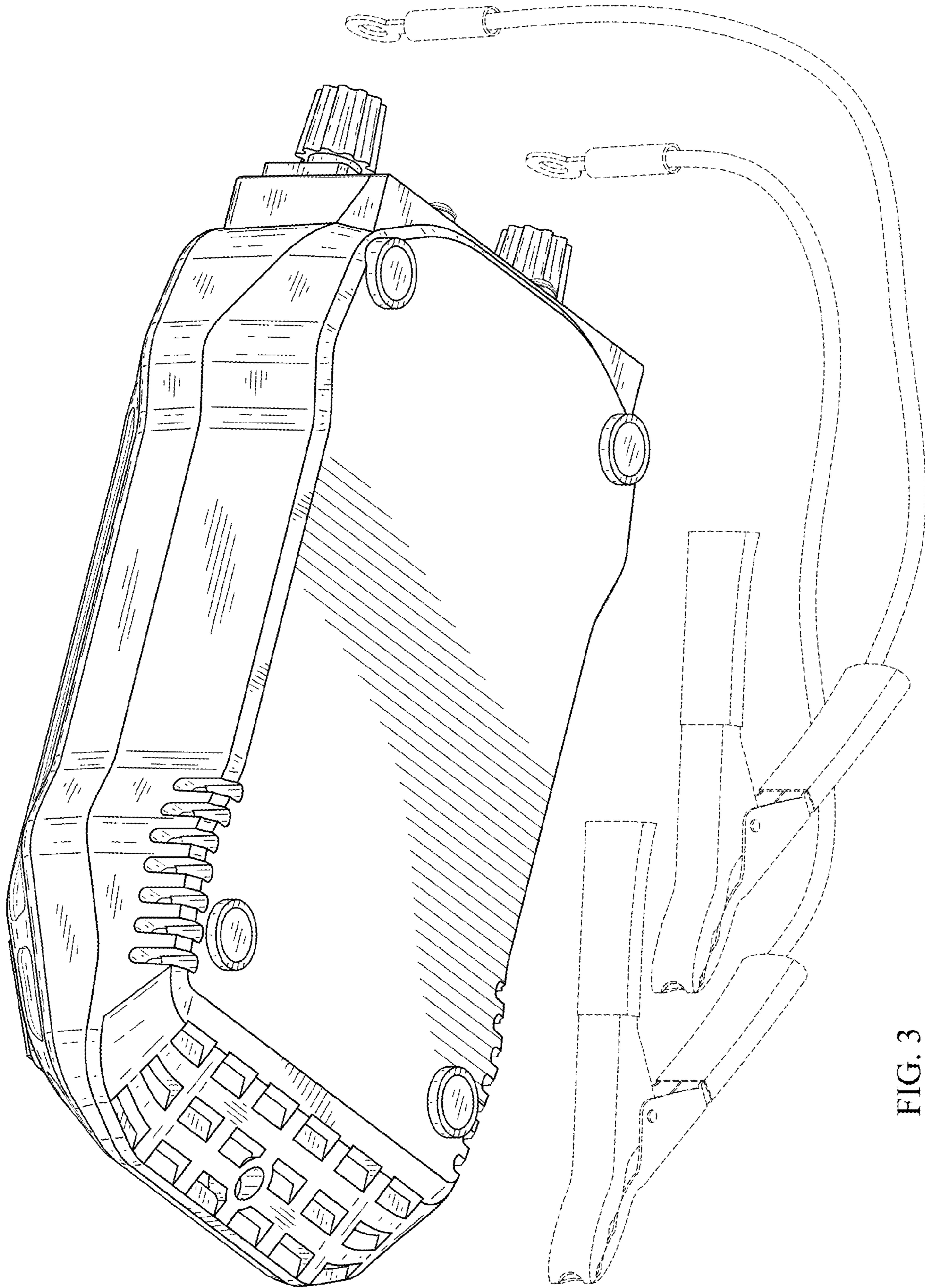


FIG. 3

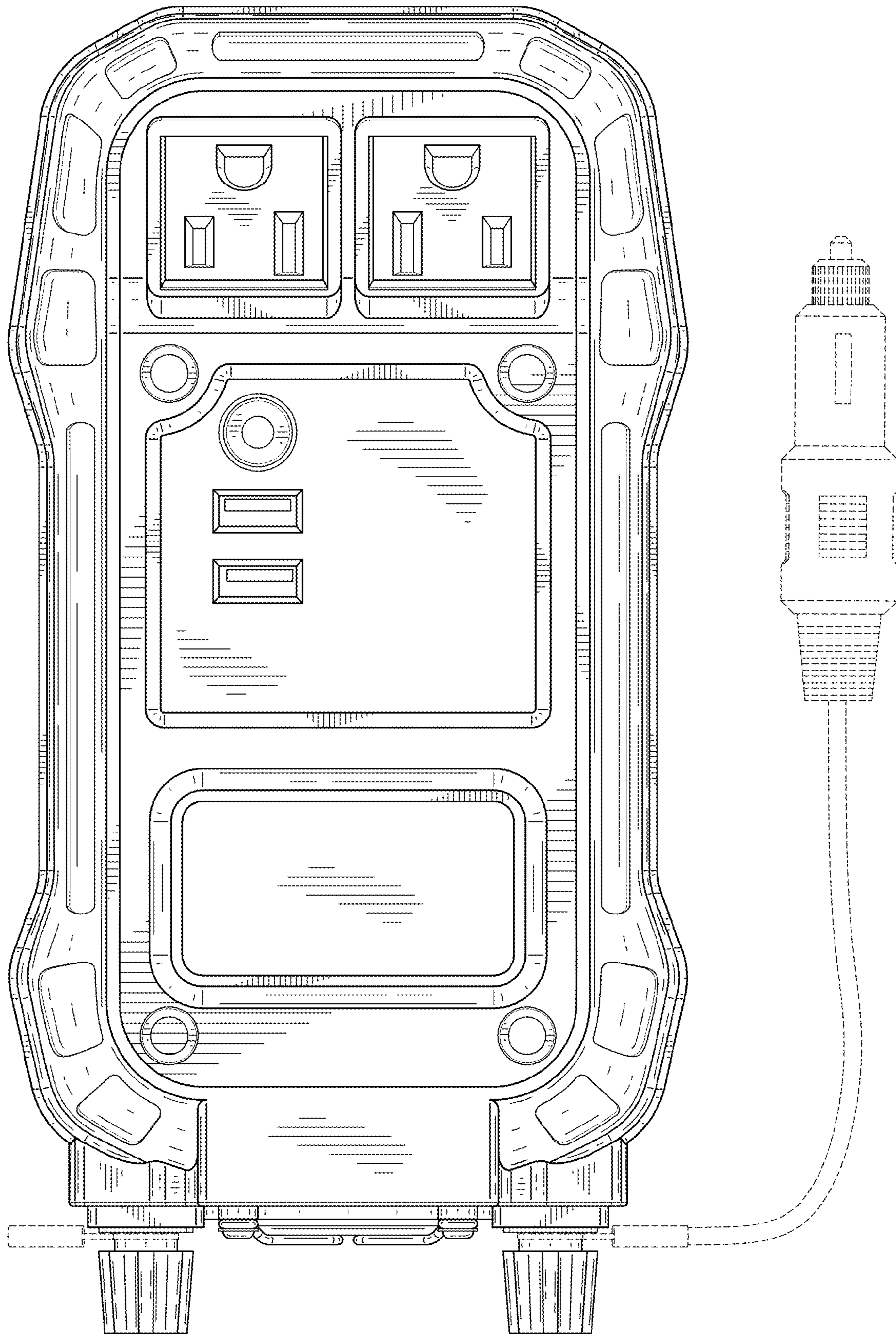


FIG. 4

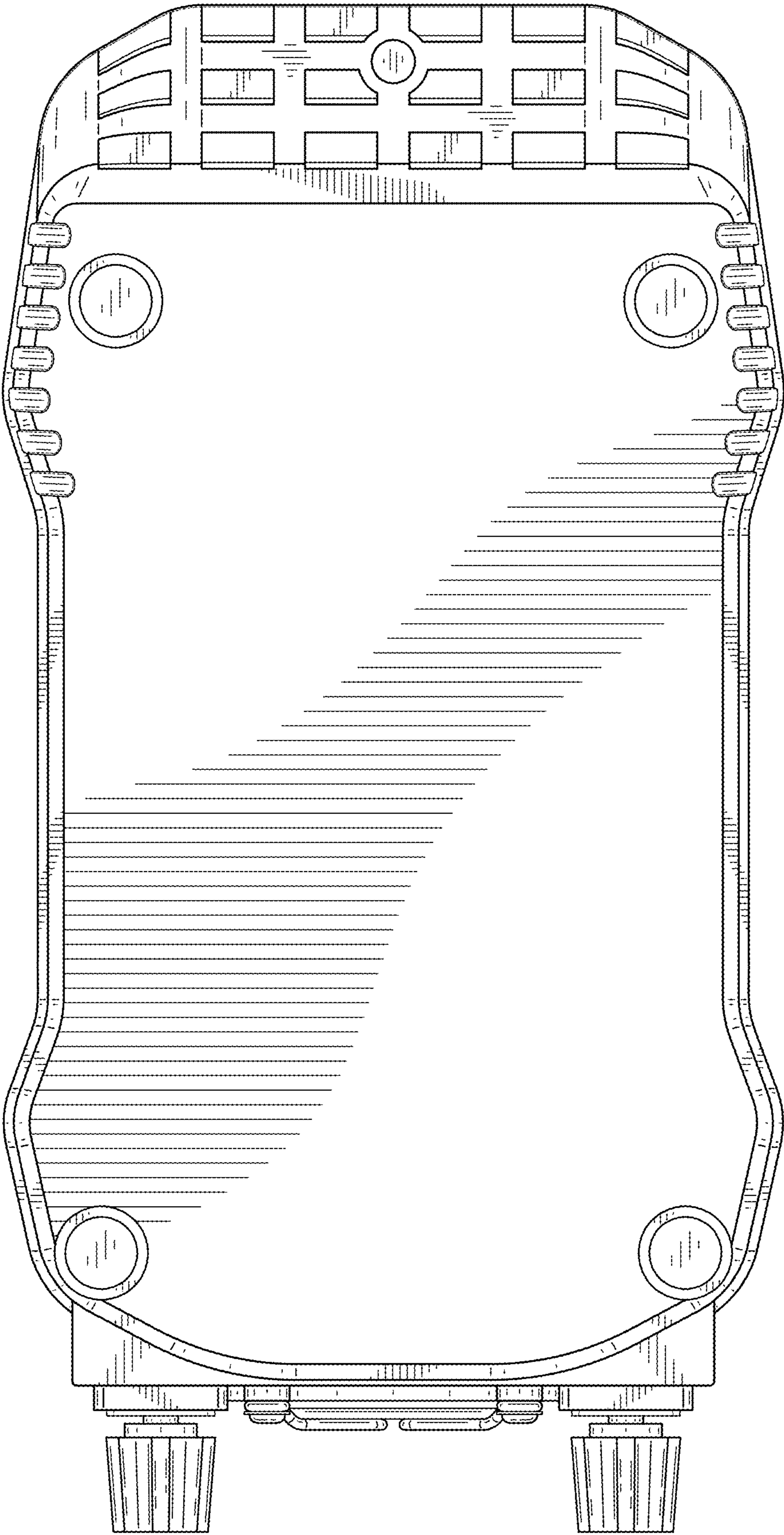


FIG. 5

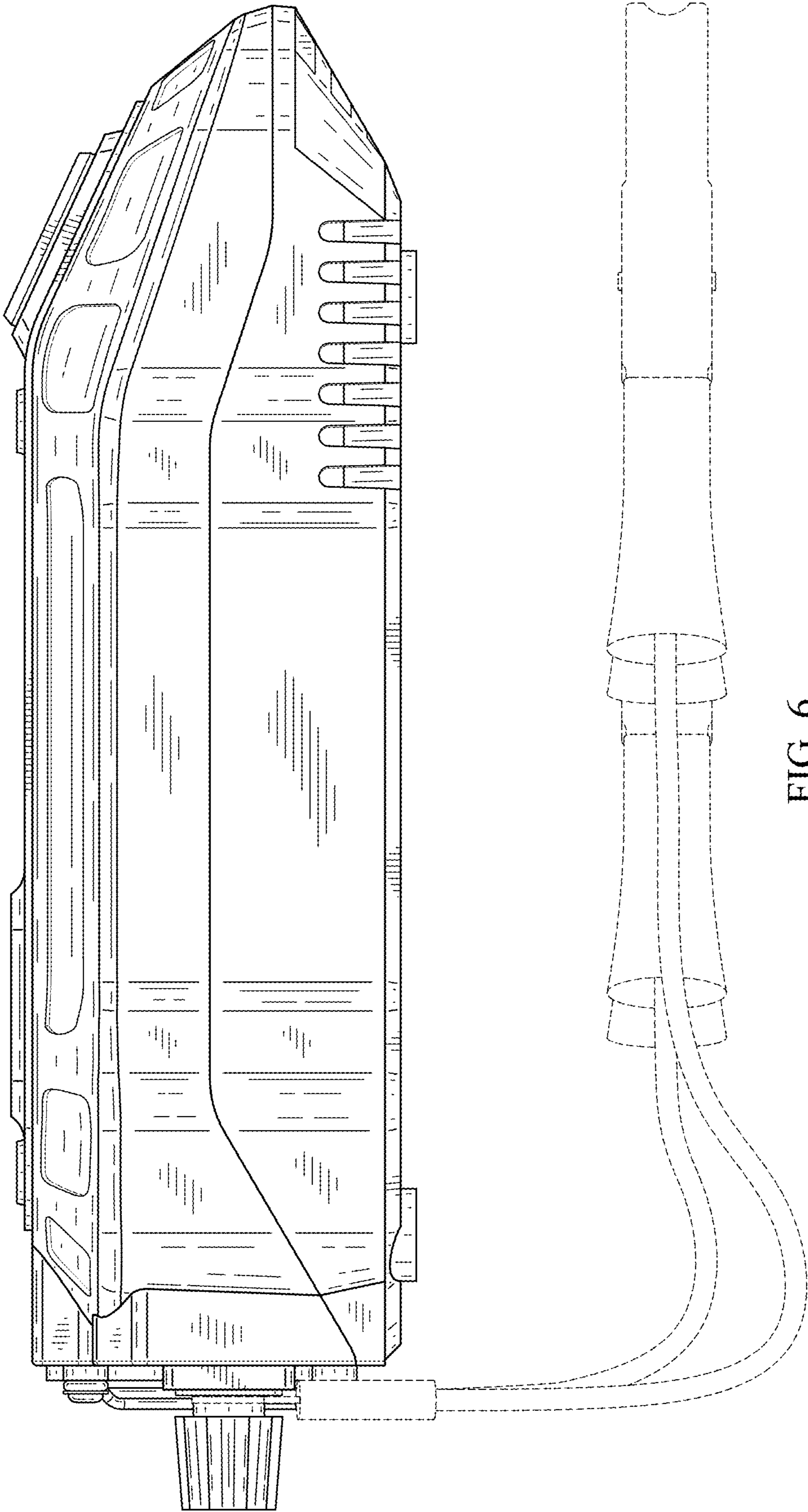


FIG. 6

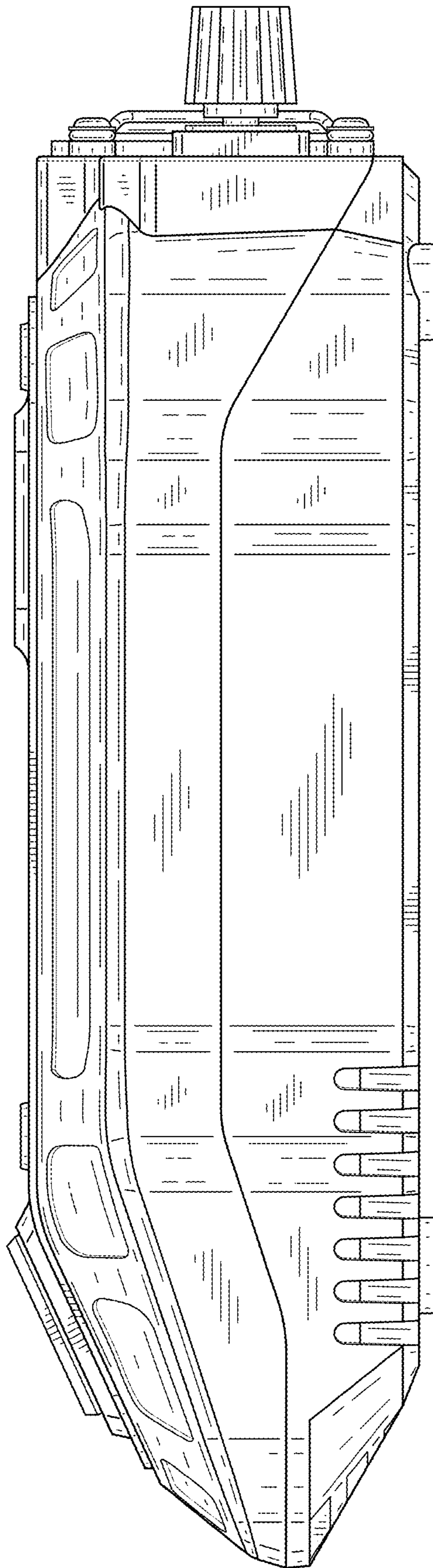


FIG. 7



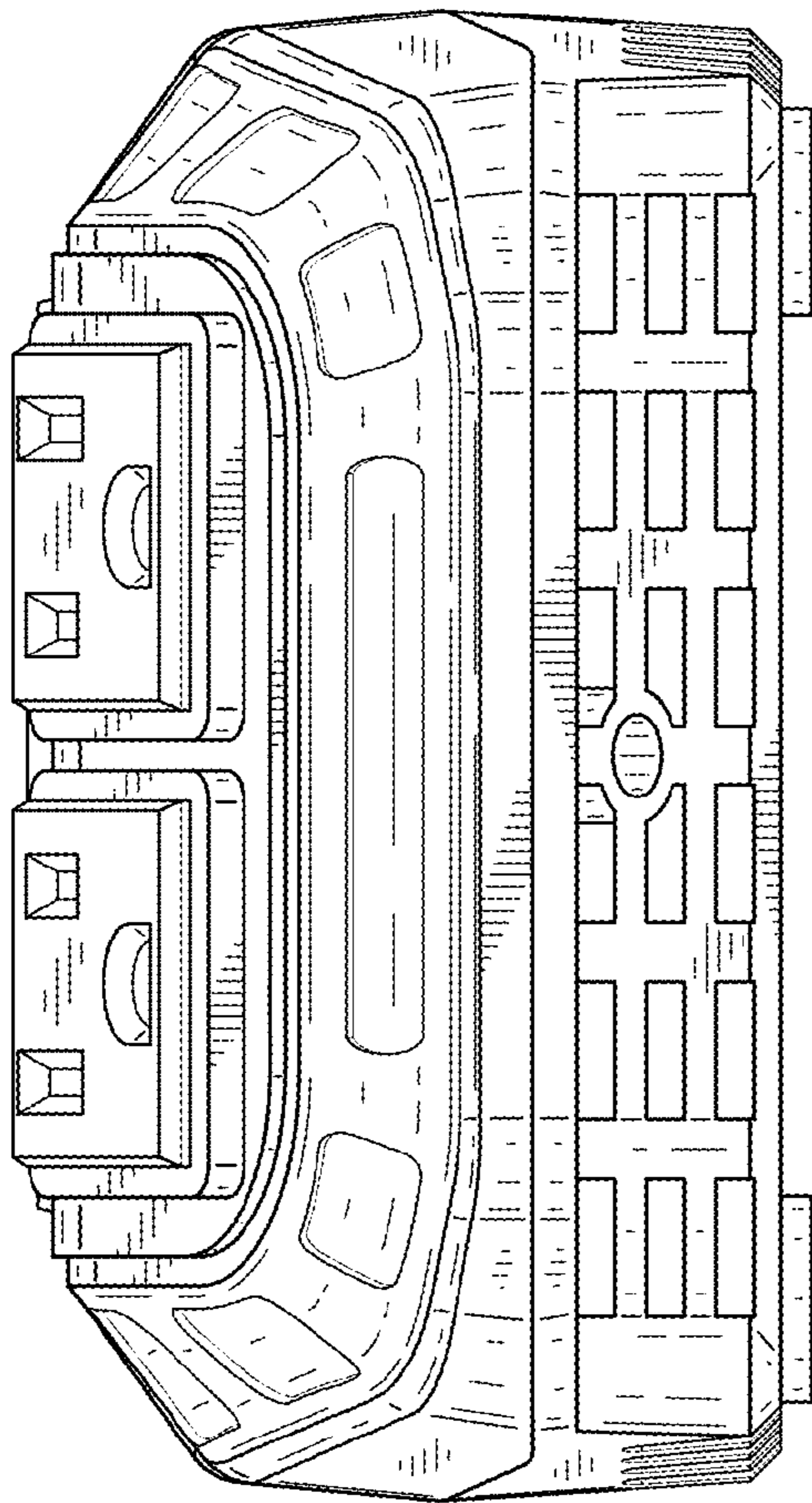


FIG. 8

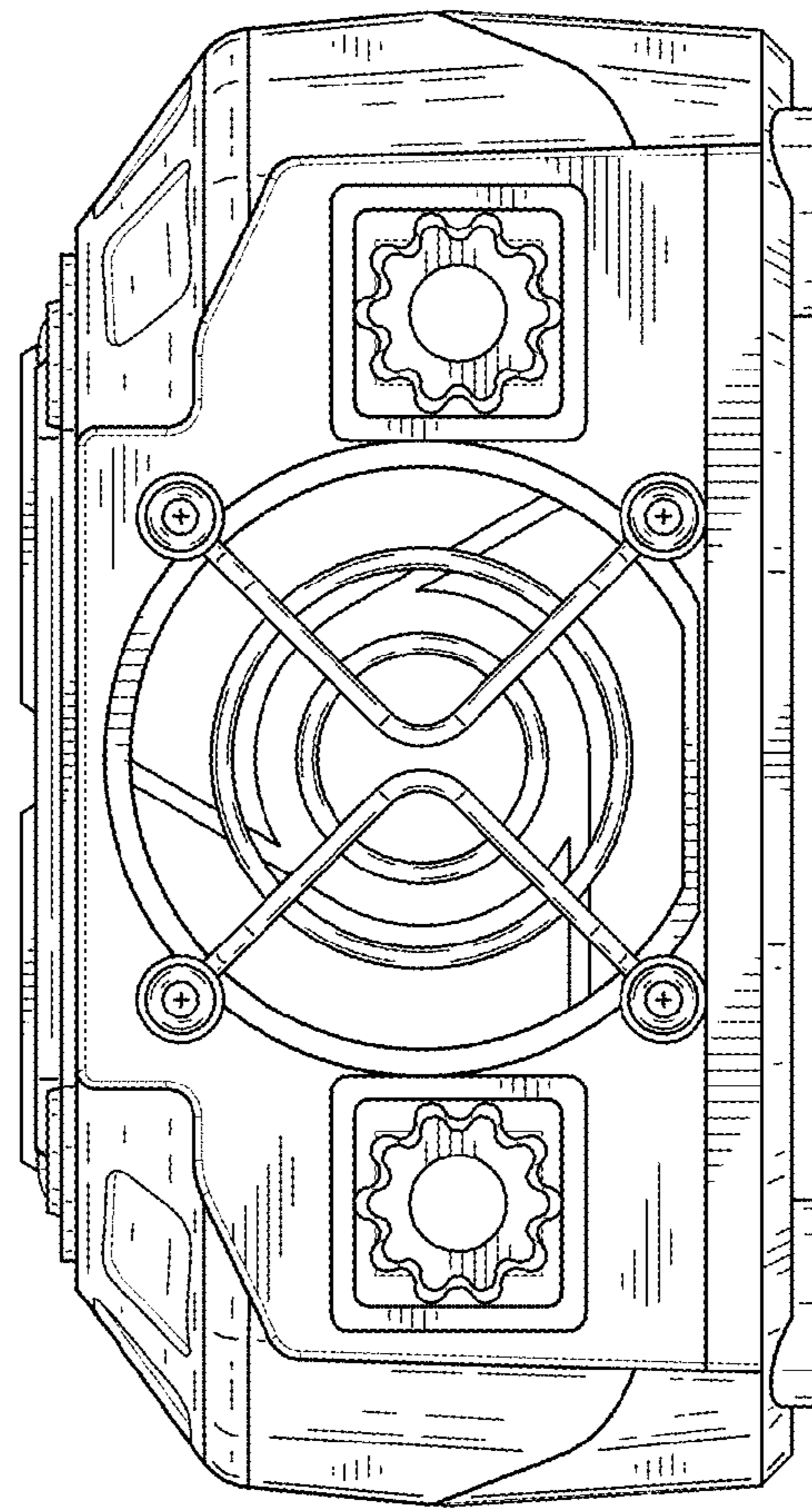


FIG. 9