



US00D905633S

(12) **United States Design Patent** (10) **Patent No.:** **US D905,633 S**
Yoon (45) **Date of Patent:** **** Dec. 22, 2020**

(54) **CHARGING STAND FOR ELECTRONIC DEVICES**

(71) Applicant: **SPIGEN KOREA CO., LTD.**, Seoul (KR)

(72) Inventor: **Tae sung Yoon**, Seoul (KR)

(73) Assignee: **SPIGEN KOREA CO., LTD.**, Seoul (KR)

(**) Term: **15 Years**

(21) Appl. No.: **29/716,846**

(22) Filed: **Dec. 12, 2019**

(51) **LOC (12) Cl.** **13-02**

(52) **U.S. Cl.**
USPC **D13/108**

(58) **Field of Classification Search**
USPC D13/107-108, 110, 118, 184, 199;
D14/432, 434
CPC .. H02J 7/005; H02J 7/025; H02J 50/00; H02J 50/10; H02J 50/12; H02J 50/40; H02J 50/402; H02J 50/50; H02J 50/80
See application file for complete search history.

(56) **References Cited**

U.S. PATENT DOCUMENTS

D329,763 S	9/1992	Cuminale	
D507,794 S	7/2005	Wang et al.	
D536,665 S *	2/2007	Solland	D13/108
D553,106 S	10/2007	Griffin	
D557,208 S *	12/2007	Solland	D13/108
D557,259 S	12/2007	Hirsch	
D642,519 S	8/2011	Woo et al.	
D677,220 S	3/2013	Ploss	
D688,670 S	8/2013	Huang	
D692,010 S	10/2013	Vergheze	
D702,665 S	4/2014	Kim	
D704,632 S *	5/2014	On	D13/108
D710,300 S *	8/2014	Burke	D13/108

D721,649 S	1/2015	Tsai	
D724,025 S *	3/2015	Peek	D13/108
D734,717 S *	7/2015	Dvorak	D13/107
D743,334 S *	11/2015	Peek	D13/108
D756,367 S	5/2016	Kim	

(Continued)

OTHER PUBLICATIONS

“Orzly Compact Stand for Apple Watch Charger, Night Stand Mode Compatible, Integrated Cable Management Slot (Compatible with Apple Watch Series 4 Series 3 Series 2 Series 1 38mm 42mm 40mm 44mm) Blue”, <https://www.amazon.com/Orzly-Compact-Stand-Nightstand-Compatible/dp/B0127F1W84>, Earliest review date of Aug. 16, 2015, downloaded on Jun. 25, 2020.

(Continued)

Primary Examiner — Rosemary K Tarcza
(74) *Attorney, Agent, or Firm* — Heedong Chae; Lucem, PC

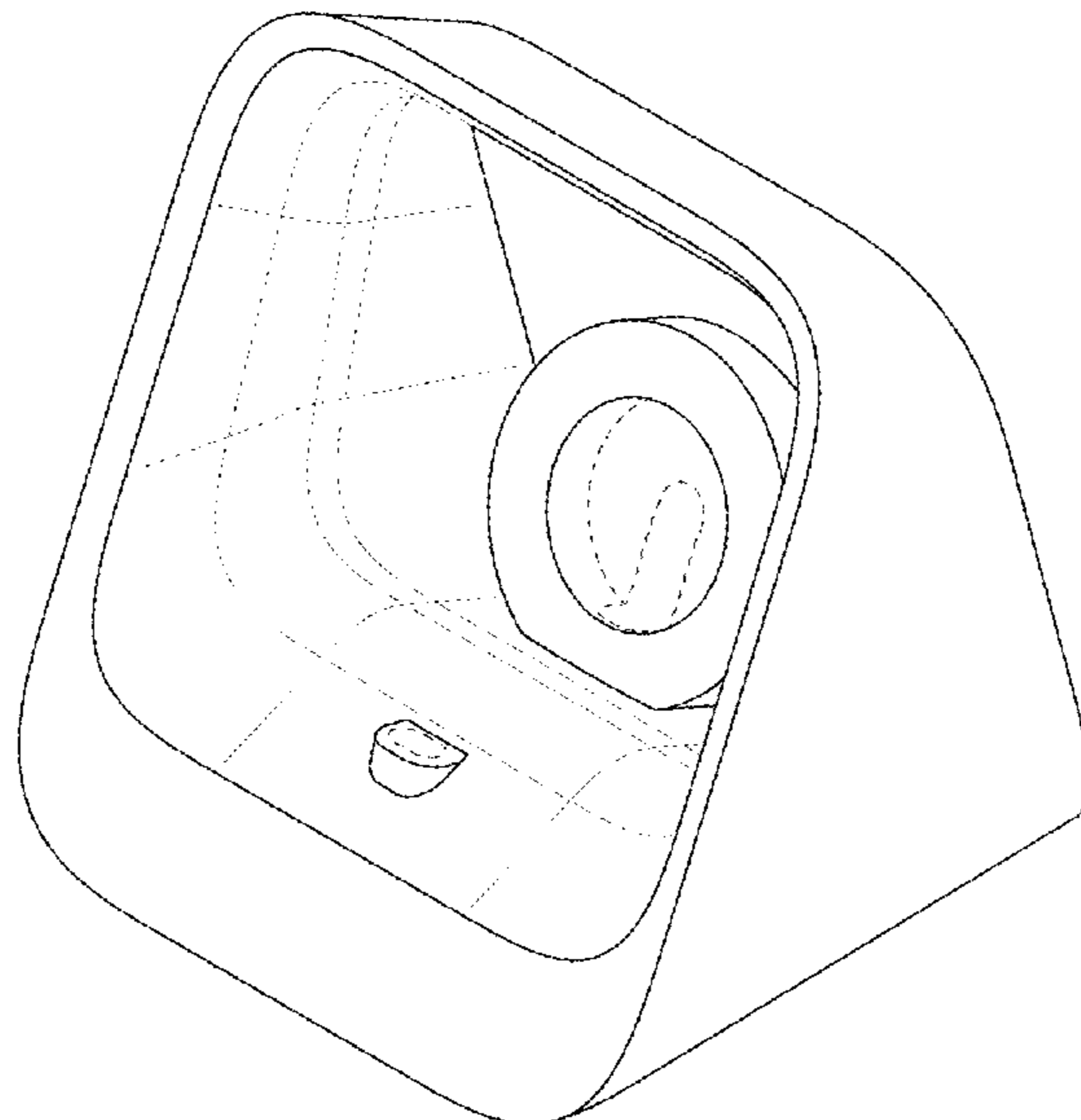
(57) **CLAIM**

The ornamental design for a charging stand for electronic devices, as shown and described.

DESCRIPTION

FIG. 1 is a front perspective view of a charging stand for electronic devices showing my new design; FIG. 2 is a rear perspective view thereof; FIG. 3 is a front elevational view thereof; FIG. 4 is a rear elevational view thereof; FIG. 5 is a left side elevational view thereof; FIG. 6 is a right side elevational view thereof; FIG. 7 is a top plan view thereof; FIG. 8 is a bottom plan view thereof; and, FIG. 9 is another rear perspective view thereof. The broken lines depict environmental subject matter and portions of the charging stand for electronic devices that form no part of the claimed design.

1 Claim, 9 Drawing Sheets



(56)

References Cited

U.S. PATENT DOCUMENTS

D761,967 S	7/2016	Tsai et al.	
D767,218 S	9/2016	Hickling	
D776,053 S *	1/2017	Barnard	D13/108
D780,187 S	2/2017	Lee	
D787,521 S	5/2017	Chen	
D787,840 S	5/2017	Spigler	
D788,035 S	5/2017	Bang et al.	
D789,295 S	6/2017	Nuk et al.	
D791,696 S	7/2017	Tinius	
D791,699 S	7/2017	Watanabe	
D792,418 S	7/2017	Stener	
D795,876 S	8/2017	Fletcher et al.	
D797,669 S	9/2017	Chang	
D798,867 S	10/2017	Carnevali	
D799,494 S	10/2017	Lee	
D810,014 S	2/2018	Haranaka et al.	
D811,414 S	2/2018	Lee	
D834,562 S	11/2018	Davids	
D835,078 S	12/2018	Yun	
D835,079 S	12/2018	Yun	
D835,611 S	12/2018	Yun	
D839,949 S	2/2019	Arens et al.	
D841,578 S *	2/2019	Kim	D13/108
D851,587 S *	6/2019	Schmidt	D13/108
D853,326 S *	7/2019	Jun	D13/108
D857,625 S *	8/2019	Cao	D13/108
D875,675 S *	2/2020	Zhang	D13/108
D878,085 S *	3/2020	Werner	D6/526
D884,625 S *	5/2020	Li	D13/108

OTHER PUBLICATIONS

Lamicall Adjustable Cell Phone Stand—Foldable Portable Holder Cradle for Desk, Desktop Charging Dock Compatible with iPhone 11 Pro XS Max XR X 8 7 6S Plus Samsung Galaxy S10 S9 S8 Smartphones Black, <https://www.amazon.com/dp/B07XD1PQLB>, Earliest review date of Jun. 14, 2016, downloaded on Jun. 25, 2020.

“Moretek Charger Stand for Apple Watch 38mm 42mm 40mm 44mm iWatch Series 1 2 3 4 5 Apple Watch Charging Stand Holder, AirPods Accessory Charger Dock (Black)”, <https://www.amazon.com/Moretek-Charger-Charging-AirPods-Accessory/dp/B07N1JNW1B>, Earliest review date of Feb. 20, 2017, downloaded on Jun. 25, 2020.

“Mangotek Apple Watch Charger Cable iWatch Stand, 2 in 1 Magnetic Charger Module with Nylon Braided Cable for Apple Watch Series 4, 3, 2, 1, 38mm/42mm/40mm/44mm iWatch, Apple MFi Certified, 4 Feet”, <https://www.amazon.com/Mangotek-Charger-Magnetic-Braided-Certified/dp/B079KQNZ5Z>, Earliest review date of May 15, 2018, downloaded on Jun. 25, 2020.

“Orzly Compact Stand Designed for Apple Watch—Nightstand Mode Compatible—Integrated Cable Management Slot (for Series 4 Series 3 Series 2 Series 1-38mm 42mm 40mm 44mm)—Pink”, <https://www.amazon.com/Orzly-Compact-Stand-Nightstand-Compatible/dp/B0127F218E>, Earliest review date of May 22, 2018, downloaded on Jun. 25, 2020.

“MoKo [2 in 1 iWatch Stand, Folding Charging Station Fit with iWatch Series 5 (40mm & 44mm),iWatch 38mm/40mm/42mm/44mm, iPhone 11 Pro Max/11 Pro/11, iPad Mini, Pro 11,New iPad Air 3, Mini 5, Black”, <https://www.amazon.com/MoKo-Compatible-Folding-Charging-Station/dp/B07KFZ22QJ>, Earliest review date of Jan. 16, 2019, downloaded on Jun. 25, 2020.

“AhaStyle Silicone Charging Stand Dock for Apple Watch Series 5/4/3/2/1(44/42/40/38mm),Supports Nightstand Mode [Adapters Not Included](Light Blue)”, <https://www.amazon.com/dp/B07MCGDV66>, Earliest review date of Apr. 1, 2019, downloaded on Jun. 25, 2020.

“Elago 2 in 1 Apple Watch and airpods Charging Dock Compatible with Apple AirPods 1&2, All iPhone Models, All Apple Watches Series, Apple TV Remote, Apple Pencil (Cables not Included) [Black]”, <https://www.amazon.com/elago-Duo-Hub-Black-Charging/dp/B07T4G9VJR>, Earliest review date of Jul. 23, 2019, downloaded on Jun. 25, 2020.

“Wireless Charger with Bluetooth Speaker, Any Warphone 2 in 1 Audio Player & 10 W/7.5 W/5W Fast Charging Stand Holder Compatible for Samsung GalaxyS9,S9+,S8, Note 9 iPhone X/XS Max/XR/XS/8P (Black)”, <https://www.amazon.com/Wireless-Bluetooth-Any-Warphone-Compatible/dp/B07VR4CVCI>, Earliest review date of Oct. 24, 2019, downloaded on Jun. 25, 2020.

* cited by examiner

FIG. 1

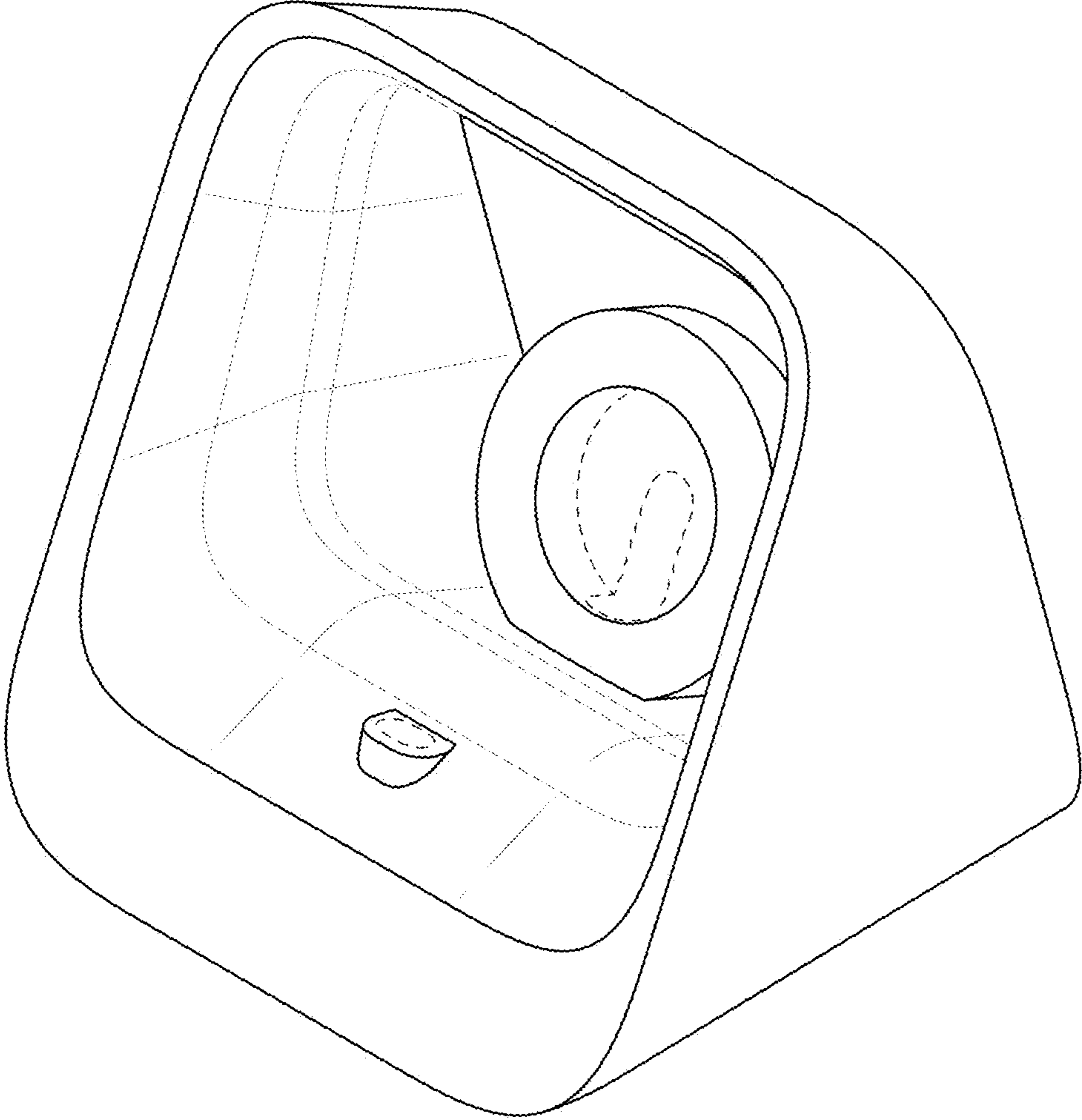


FIG. 2

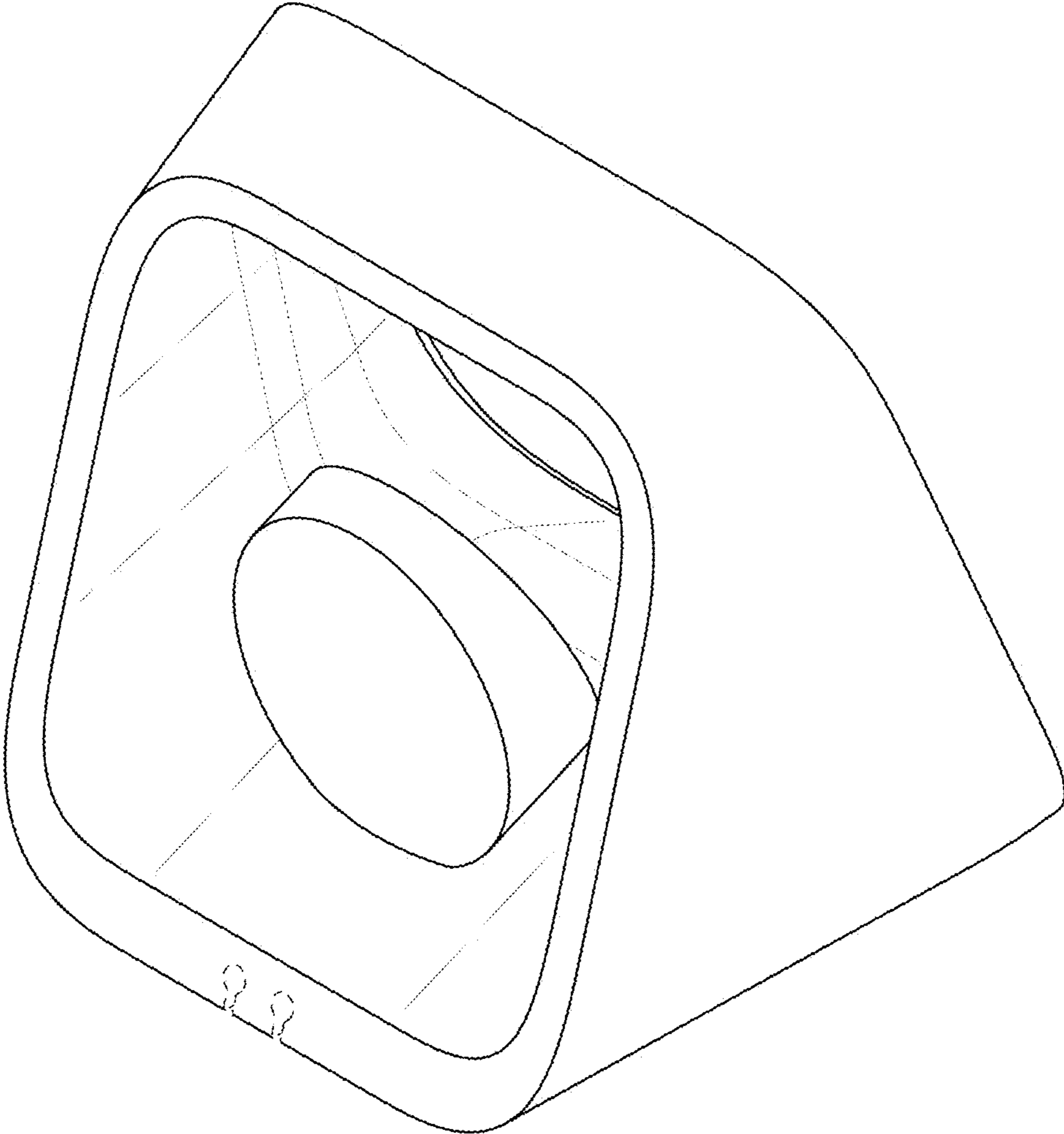


FIG. 3

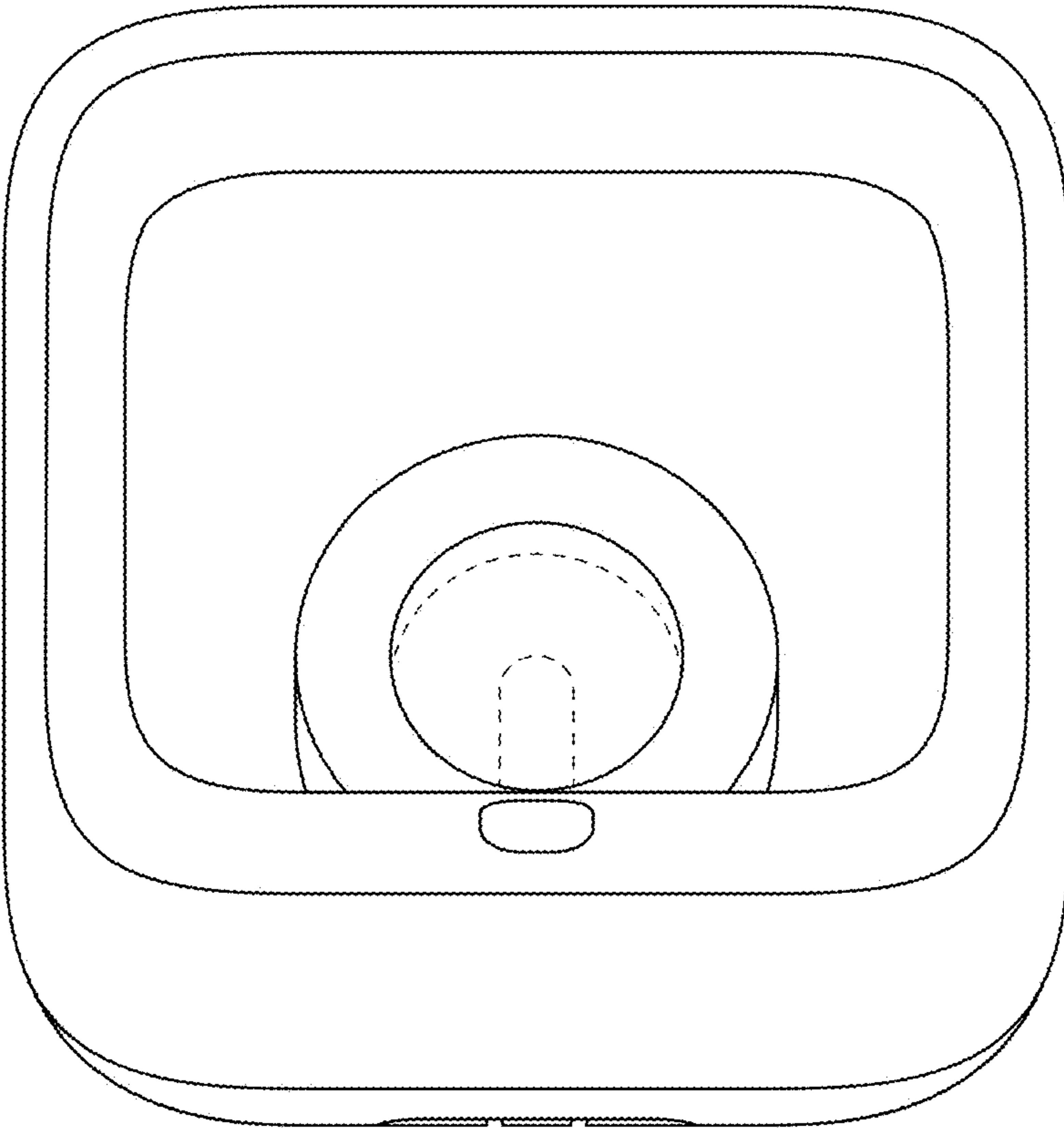


FIG. 4

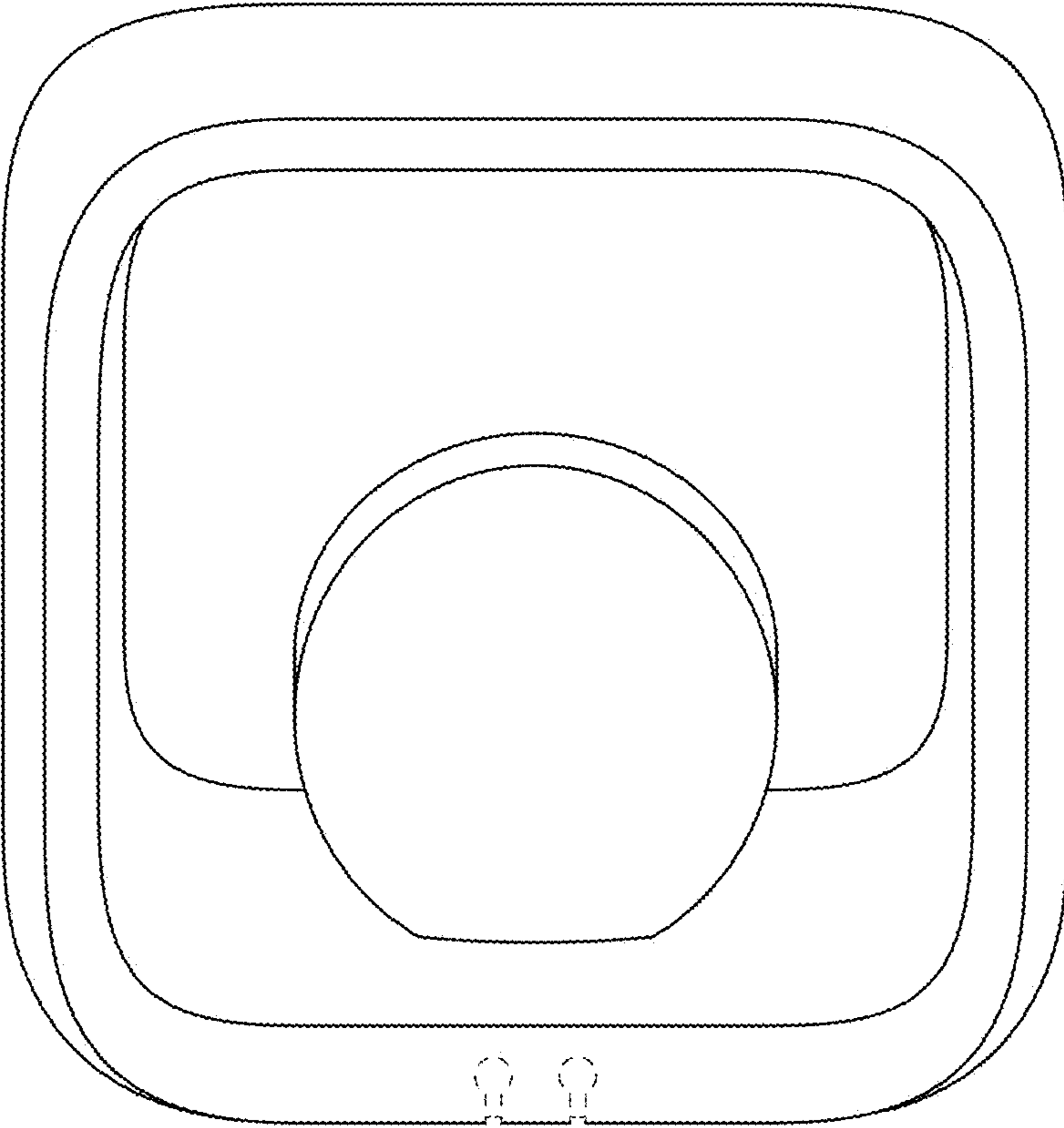


FIG. 5

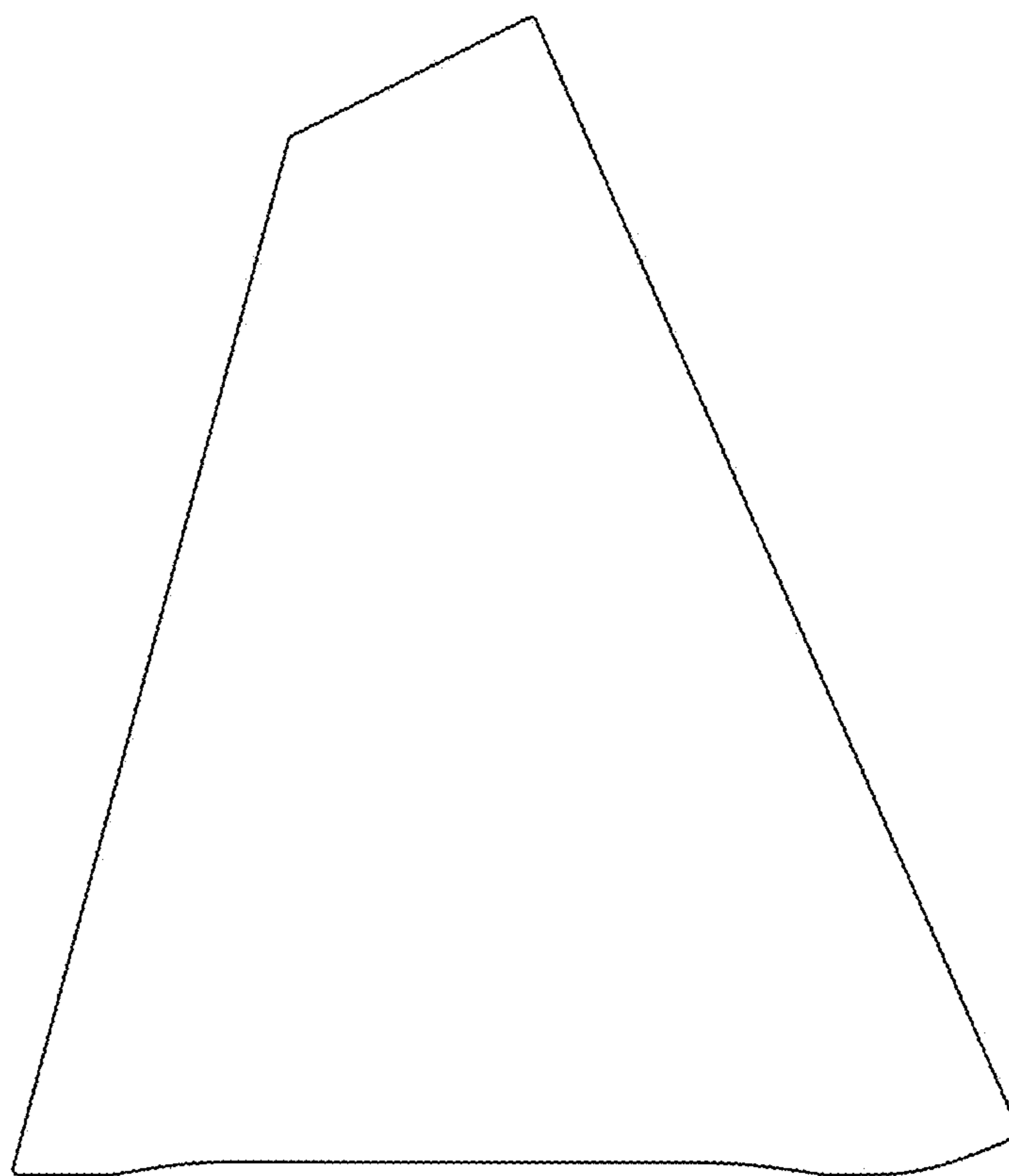


FIG. 6

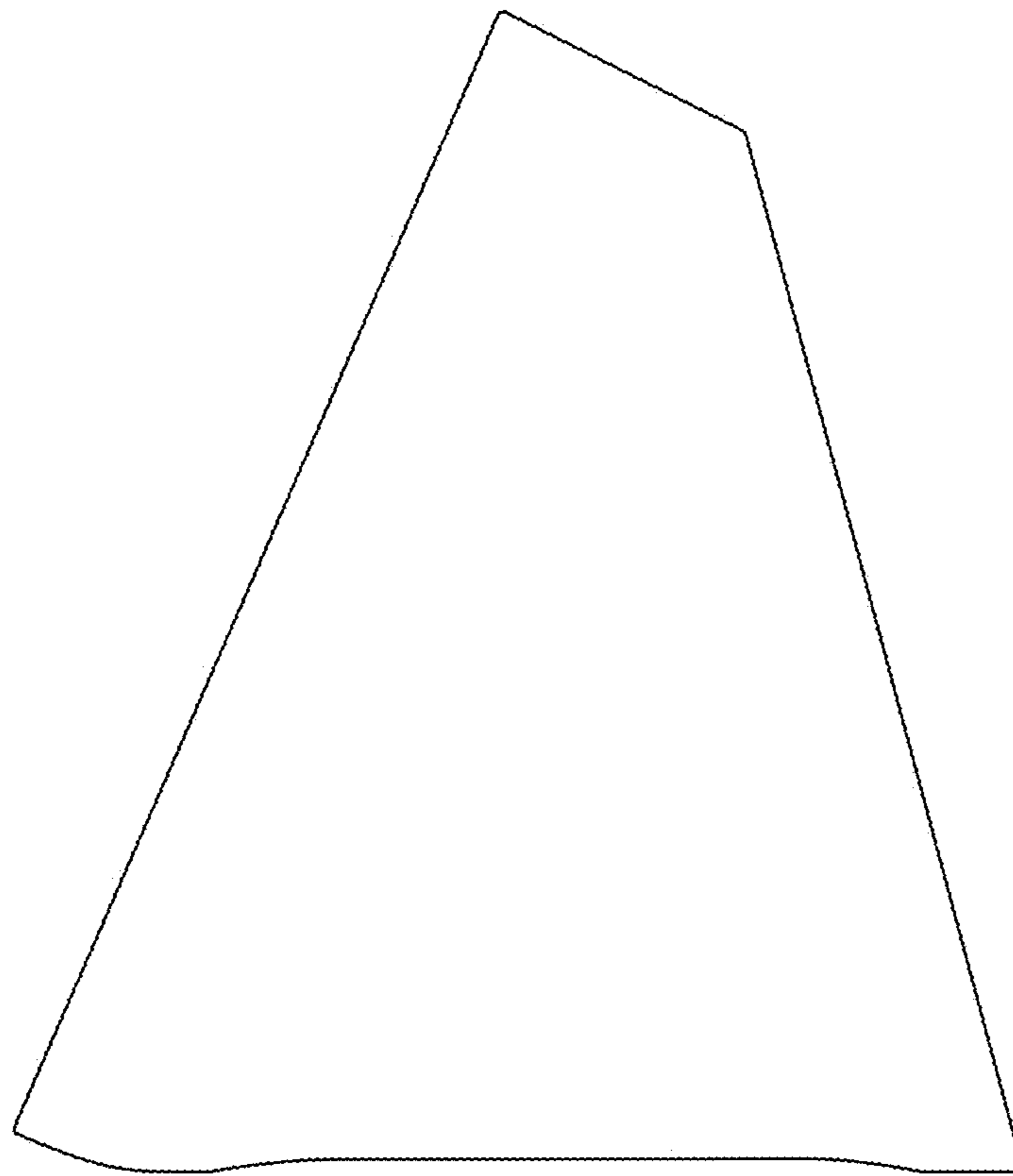


FIG. 7

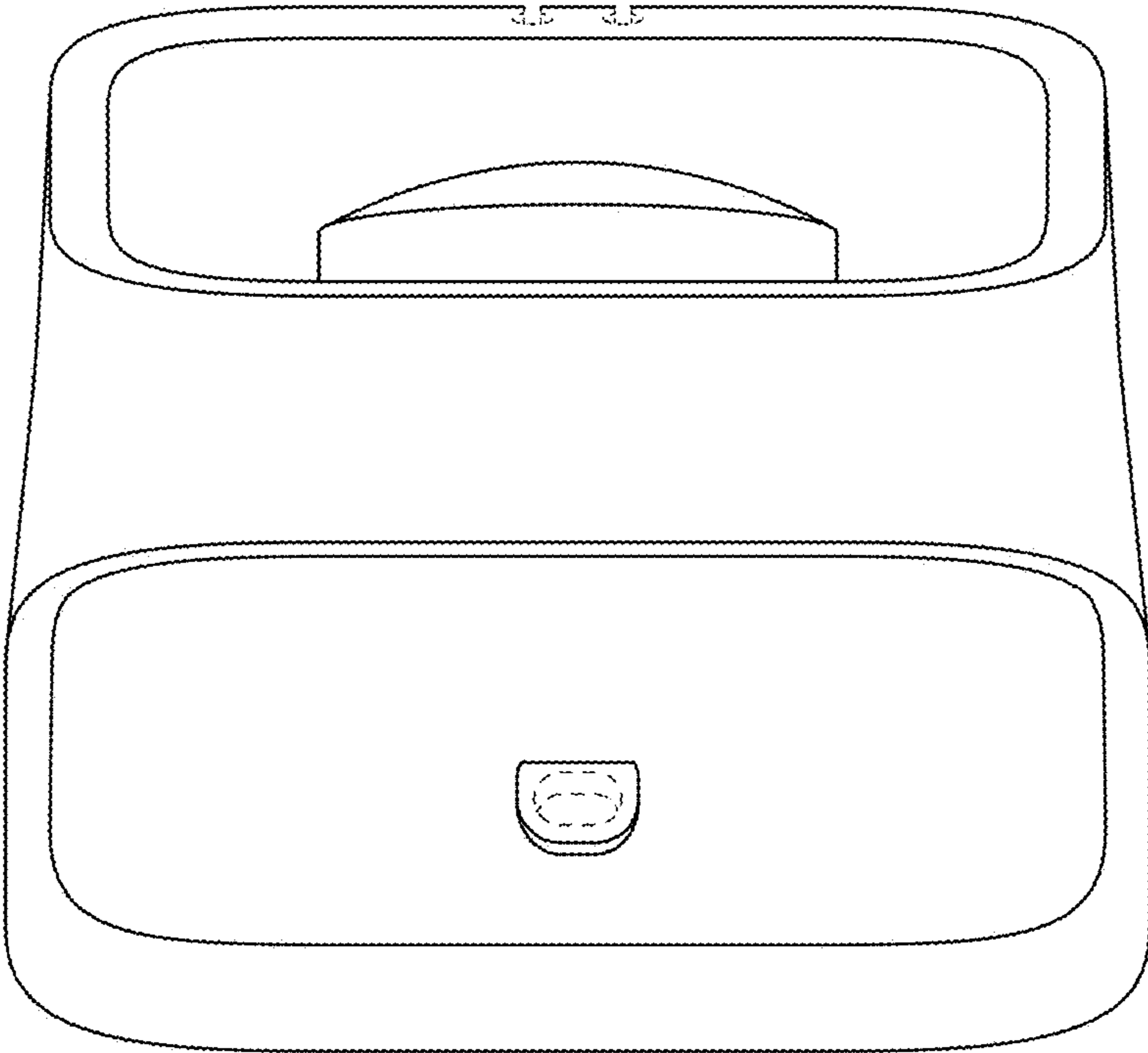


FIG. 8

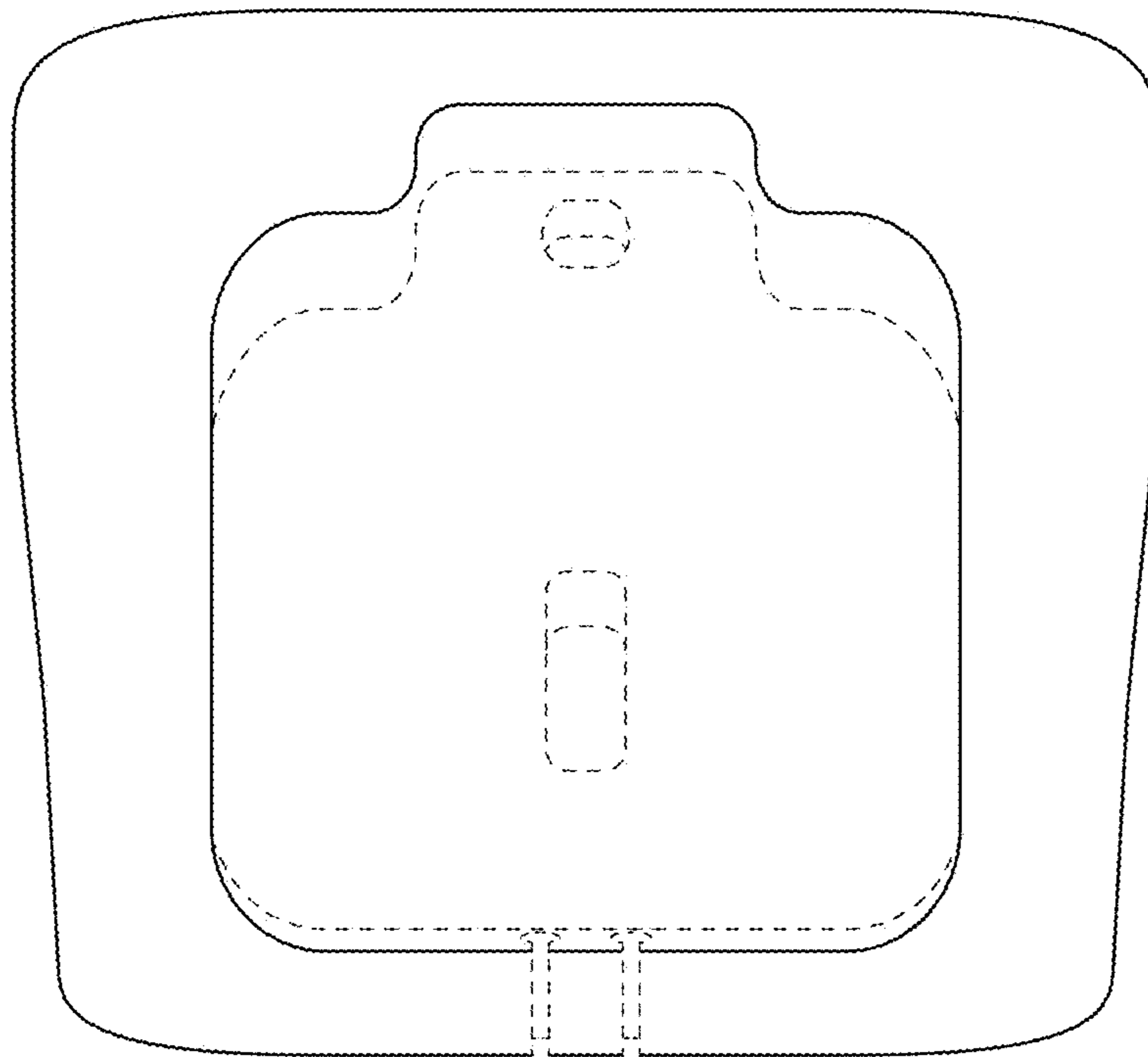


FIG. 9

