

US00D905632S

(12) **United States Design Patent** (10) **Patent No.:** **US D905,632 S**  
**Nauroy** (45) **Date of Patent:** **\*\* Dec. 22, 2020**

- (54) **WIRELESS CHARGING STATION**
- (71) Applicant: **Design Pool Limited**, Wanchai (HK)
- (72) Inventor: **Fabien Malcolm Nauroy**, Hong Kong (HK)
- (73) Assignee: **Design Pool Limited**, Wanchai (HK)
- (\*\*) Term: **15 Years**
- (21) Appl. No.: **29/676,620**
- (22) Filed: **Jan. 11, 2019**
- (30) **Foreign Application Priority Data**

Jul. 12, 2018 (HK) ..... 1801412.4M001

- (51) **LOC (12) Cl.** ..... **13-02**
- (52) **U.S. Cl.**  
USPC ..... **D13/108**
- (58) **Field of Classification Search**  
USPC ..... D13/103, 107-108, 110, 184, 199;  
D14/251, 253, 432, 434  
CPC ..... H02J 7/0044; H02J 7/0045; H02J 7/0042;  
H02J 7/342; H02J 7/345; H02J 7/025;  
H02J 7/026; H02J 7/0007; H02J 7/0027;  
H02J 7/0003; H02J 50/00; H02J 50/10;  
H02J 50/12; H02J 50/80; H02J 50/40;  
H02J 50/402; H02J 50/50  
See application file for complete search history.

(56) **References Cited**

**U.S. PATENT DOCUMENTS**

D300,678 S *	4/1989	Barrault	.....	D13/108
D475,417 S *	6/2003	Wintersteiger	.....	D14/432
D476,376 S *	6/2003	Wintersteiger	.....	D14/432
D526,973 S *	8/2006	Gates	.....	D13/168
D537,409 S *	2/2007	Suzuki	.....	D13/108
D602,858 S *	10/2009	Ellis	.....	D13/108

D627,718 S *	11/2010	Houghton	.....	D13/108
D654,431 S *	2/2012	Stephanchick	.....	D13/108
D694,182 S *	11/2013	Lee	.....	D13/108
D694,228 S *	11/2013	Richter	.....	D14/253
D718,236 S *	11/2014	Murray	.....	D13/108
D725,034 S *	3/2015	Chen	.....	D13/108
D737,760 S *	9/2015	Kyriakoulis	.....	D13/108
D738,303 S *	9/2015	Symons	.....	D13/108
D738,823 S *	9/2015	Chen	.....	D13/108
D740,750 S *	10/2015	Mayden	.....	D13/108
D746,772 S *	1/2016	Aumiller	.....	D13/108
D747,267 S *	1/2016	Aumiller	.....	D13/108
D772,813 S *	11/2016	Wahl	.....	D13/108
D774,455 S *	12/2016	Kim	.....	D13/108
D780,136 S *	2/2017	Chudoba	.....	D13/184
D794,557 S *	8/2017	Kim	.....	D13/108
D795,182 S *	8/2017	Akana	.....	D13/108
D810,015 S *	2/2018	Carreon	.....	D13/108

(Continued)

*Primary Examiner* — Rosemary K Tarcza

(74) *Attorney, Agent, or Firm* — JCIP; Joseph G. Chu; Jeremy I. Maynard

(57) **CLAIM**

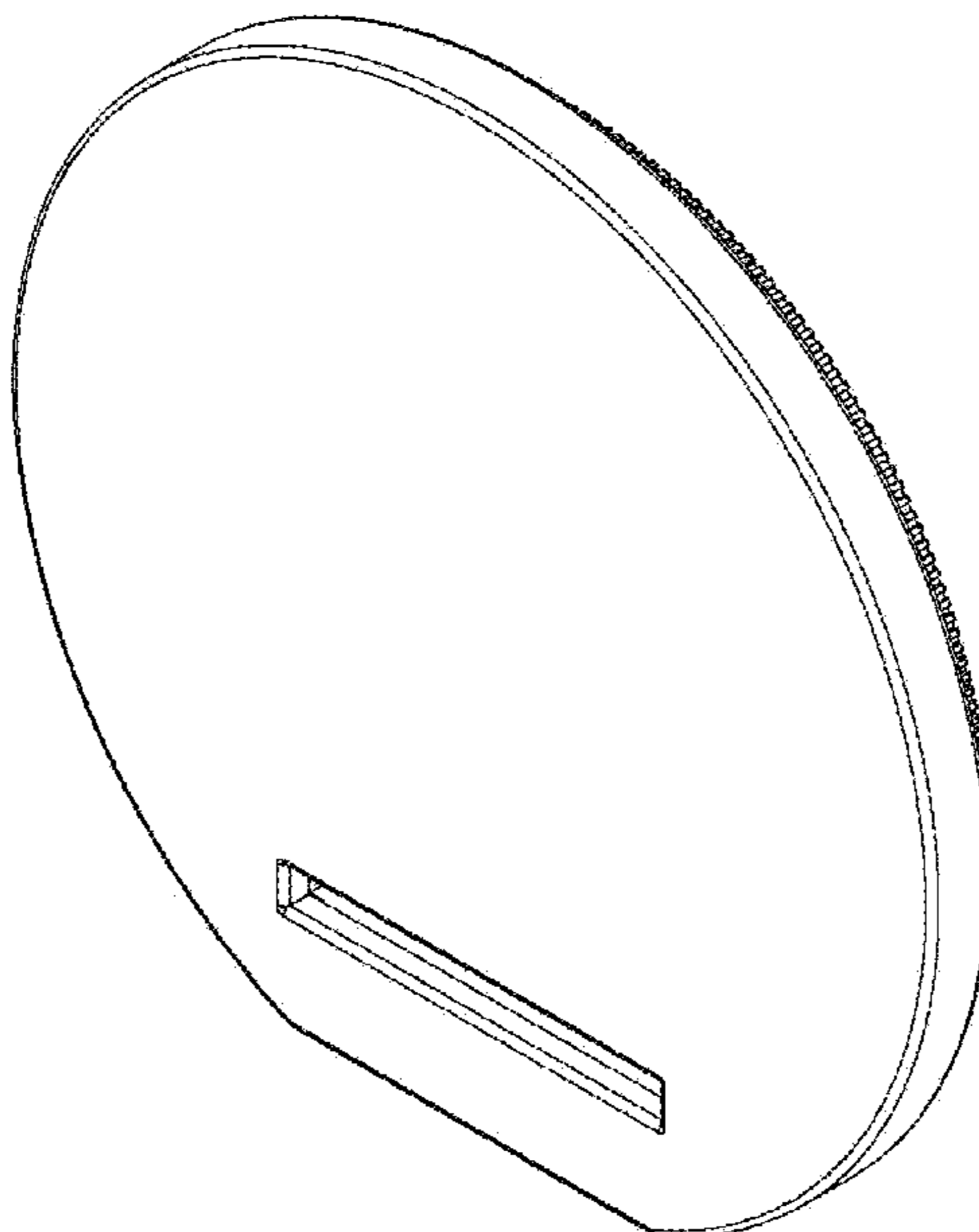
The ornamental design for a wireless charging station, as shown and described.

**DESCRIPTION**

FIG. 1 is a front view of a wireless charging station; FIG. 2 is a back view of the wireless charging station; FIG. 3 is a left-side view of the wireless charging station; FIG. 4 is a right-side view of the wireless charging station; FIG. 5 is a top view of the wireless charging station; FIG. 6 is a bottom view of the wireless charging station; and, FIG. 7 is a front perspective view of the wireless charging station.

The broken lines in the drawings represent portions of the wireless charging station that form no part of the claimed design.

**1 Claim, 7 Drawing Sheets**



(56)

**References Cited**

U.S. PATENT DOCUMENTS

D810,680 S \* 2/2018 Carreon ..... D13/108  
D817,268 S \* 5/2018 Symons ..... D13/108

\* cited by examiner

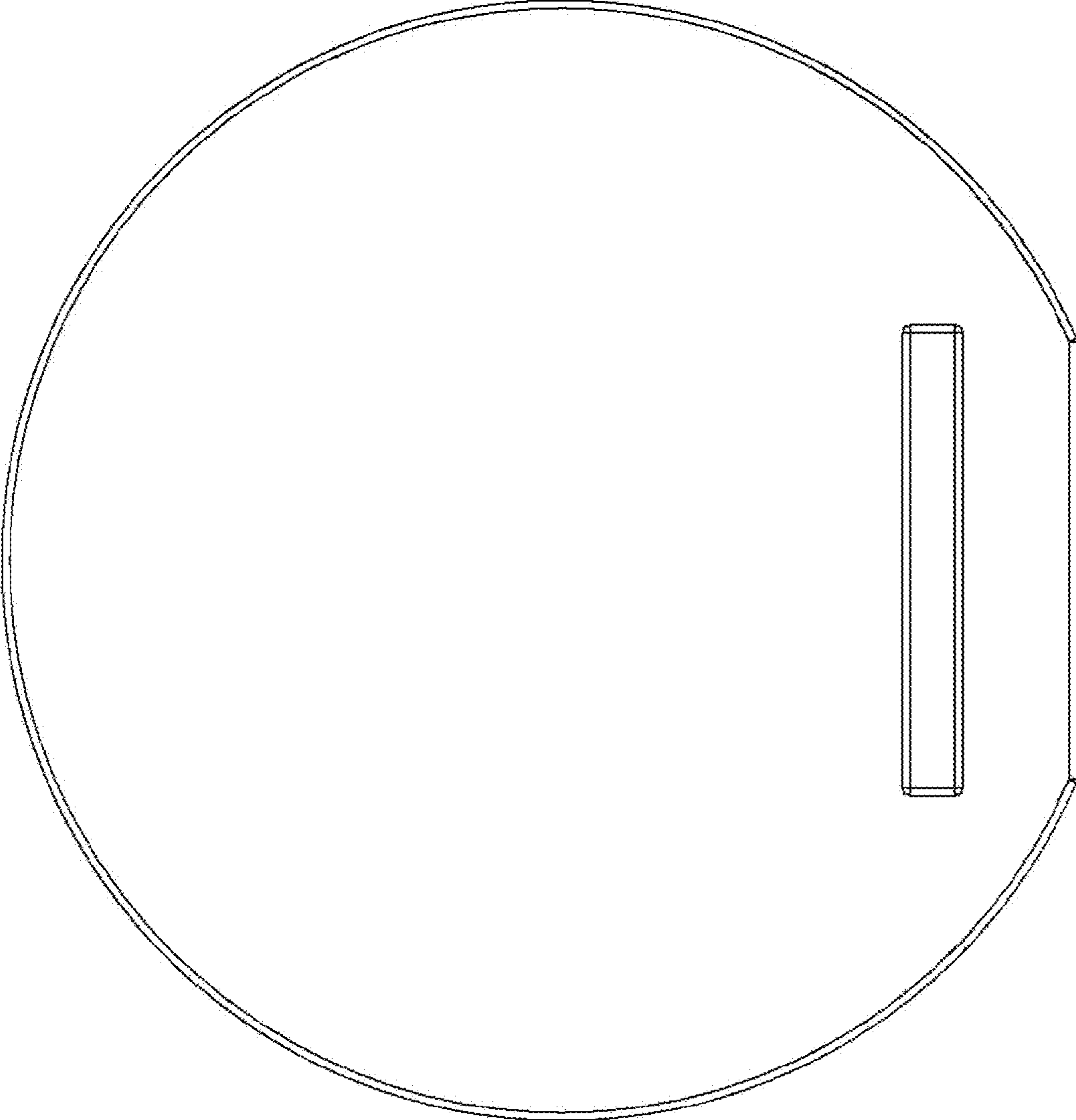


FIG. 1

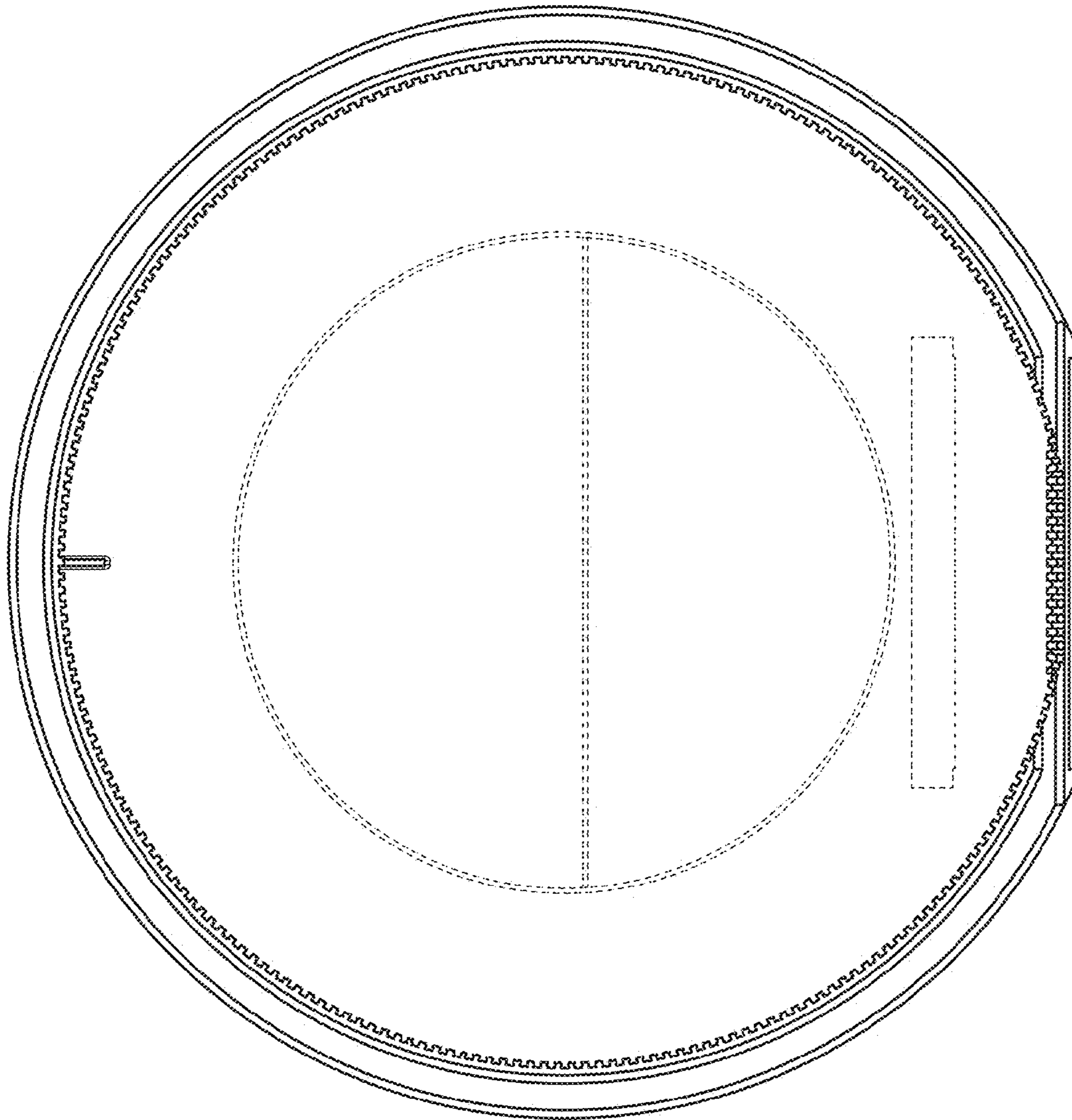


FIG. 2

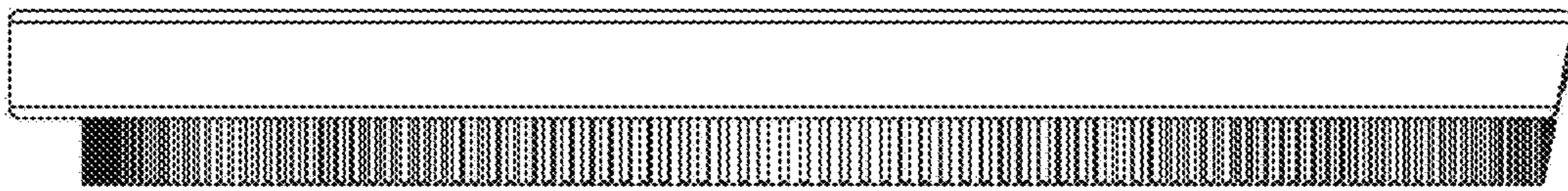


FIG. 3

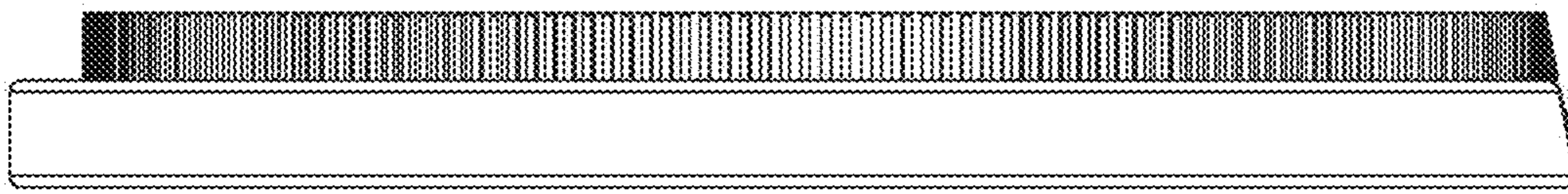


FIG. 4



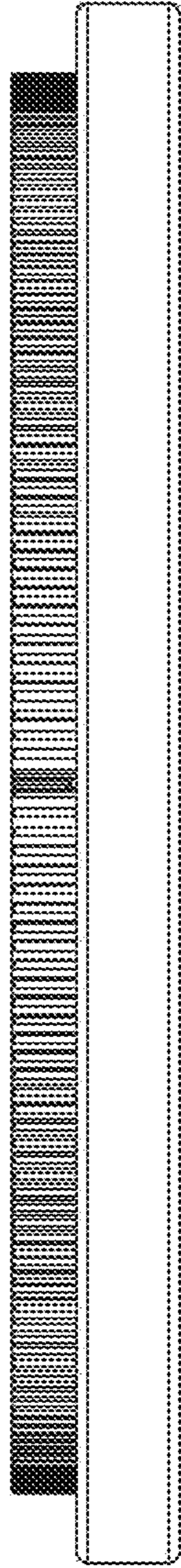


FIG. 5

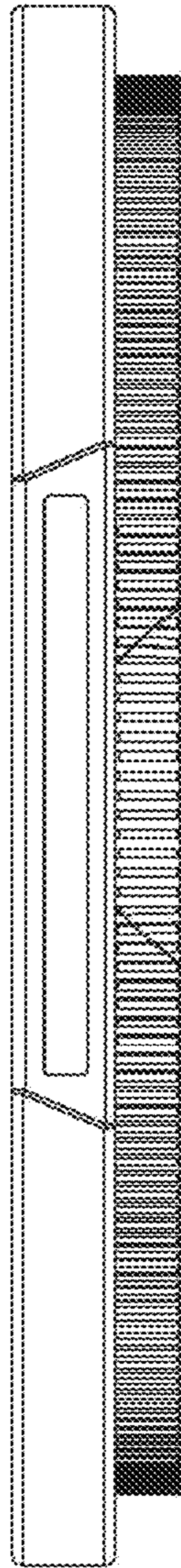


FIG. 6



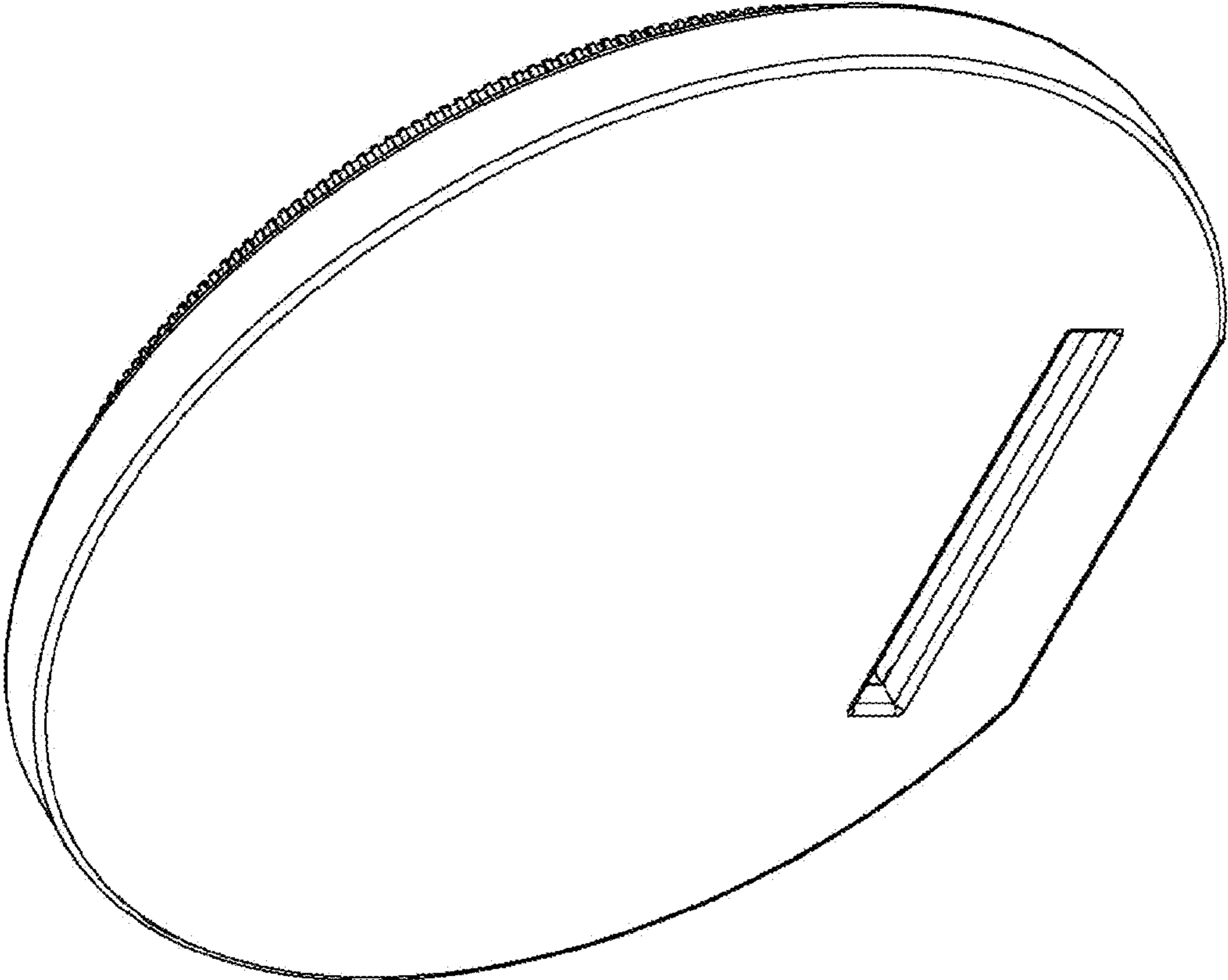


FIG. 7