



US00D905630S

(12) **United States Design Patent** (10) **Patent No.:** **US D905,630 S**
Chuang et al. (45) **Date of Patent:** **** Dec. 22, 2020**

(54) **ELECTRICAL ADAPTOR**

(56) **References Cited**

(71) Applicant: **KWANG YANG MOTOR CO., LTD.**,
Kaohsiung (TW)

U.S. PATENT DOCUMENTS

(72) Inventors: **Ping-Huan Chuang**, Kaohsiung (TW);
Yu-Jiun Tsai, Kaohsiung (TW)

D506,977 S *	7/2005	Lee	D13/110
D738,854 S *	9/2015	Babcock	D14/214
D768,068 S *	10/2016	Chen	D13/103
D815,035 S *	4/2018	Xu	D13/107
D818,954 S *	5/2018	Lai	D13/110
D828,296 S *	9/2018	Gan	D13/110
D835,578 S *	12/2018	Bai	D13/108
D837,733 S *	1/2019	Bai	D13/108
D851,039 S *	6/2019	Schumacher	D13/110
D861,603 S *	10/2019	Zhong	D13/110
D870,043 S *	12/2019	Xu	D13/110
D872,017 S *	1/2020	Huang	D13/110
D874,426 S *	2/2020	Kim	D14/204

(73) Assignee: **KWANG YANG MOTOR CO., LTD.**,
Kaohsiung (TW)

(**) Term: **15 Years**

(21) Appl. No.: **29/661,829**

(22) Filed: **Aug. 31, 2018**

* cited by examiner

(30) **Foreign Application Priority Data**

Mar. 12, 2018 (TW) 107301389

Primary Examiner — Nathaniel D. Buckner

(51) **LOC (12) Cl.** **13-02**

(74) *Attorney, Agent, or Firm* — Leong C. Lei

(52) **U.S. Cl.**
USPC **D13/108**

(57) **CLAIM**

(58) **Field of Classification Search**
USPC D13/102–110, 118–119, 184, 199;
D14/356, 432

The ornamental design for an electrical adaptor, as shown and described.

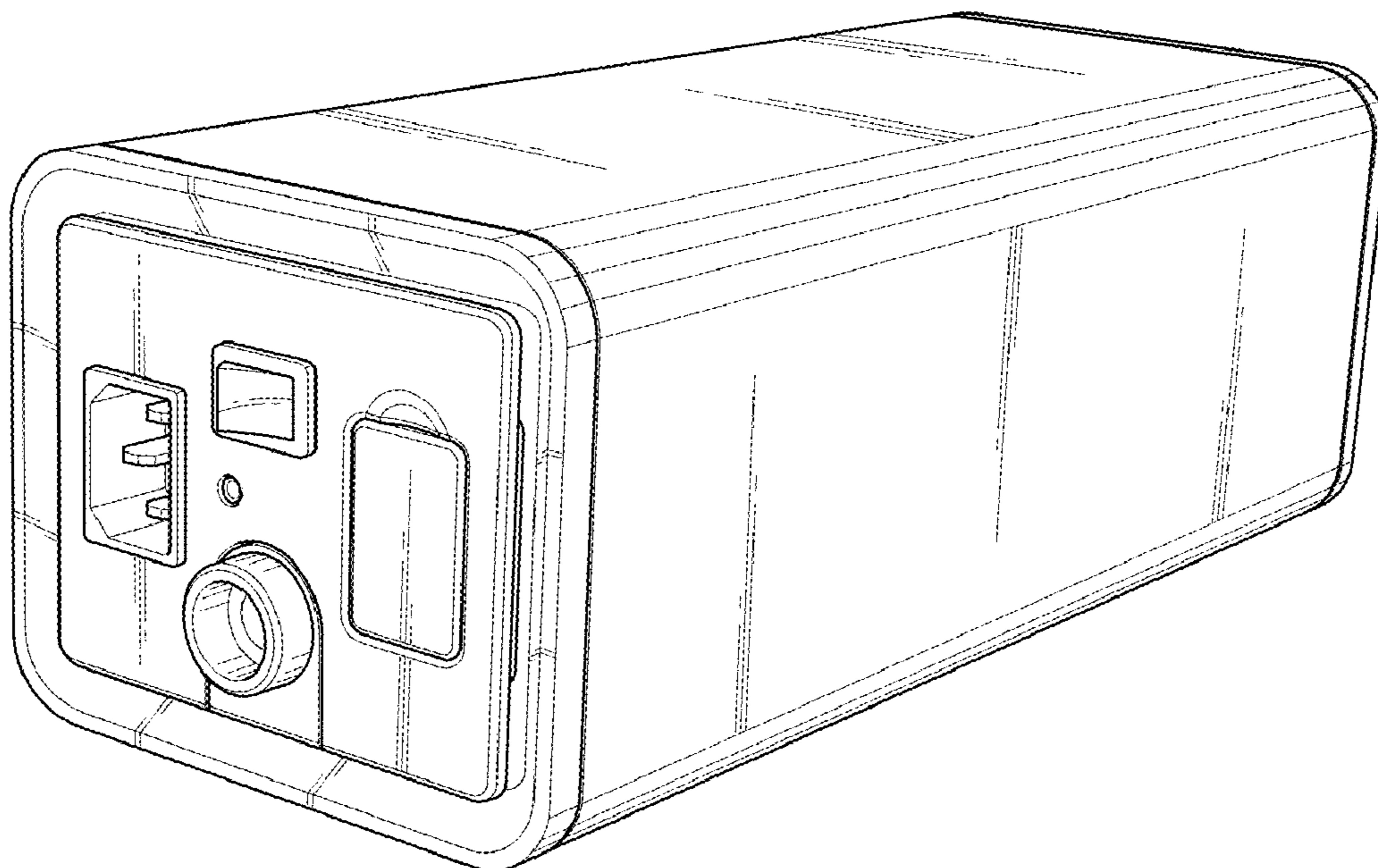
CPC Y02E 60/10; Y02E 60/12; Y02E 60/122;
Y02E 60/124; Y02E 60/50; H01M 2/02;
H01M 2/022; H01M 2/0202; H01M
2/0207; H01M 2/0212; H01M 2/1061;
H01M 2/1022; H01M 2/1055; H01M
2/1066; H01M 2/105; H01M 2/20; H01M
2/204; H01M 2/206; H01M 10/44; H01M
10/46; H01M 10/465; H01M 10/482;
H01M 2200/30; H01M 2250/30; H01M
2250/40; H02J 7/00; H02J 7/0003; H02J
7/0011; H02J 7/0013; H02J 7/0054; H02J
7/0055; H02J 7/0057; H02J 2007/0062

DESCRIPTION

FIG. 1 is a perspective view of an electrical adaptor showing my new design;
 FIG. 2 is a front elevational view thereof;
 FIG. 3 is a rear elevational view thereof;
 FIG. 4 is a left side perspective view thereof;
 FIG. 5 is a right side perspective view thereof;
 FIG. 6 is a top plan view thereof;
 FIG. 7 is a bottom perspective view thereof; and,
 FIG. 8 is a rear perspective view thereof.

See application file for complete search history.

1 Claim, 8 Drawing Sheets



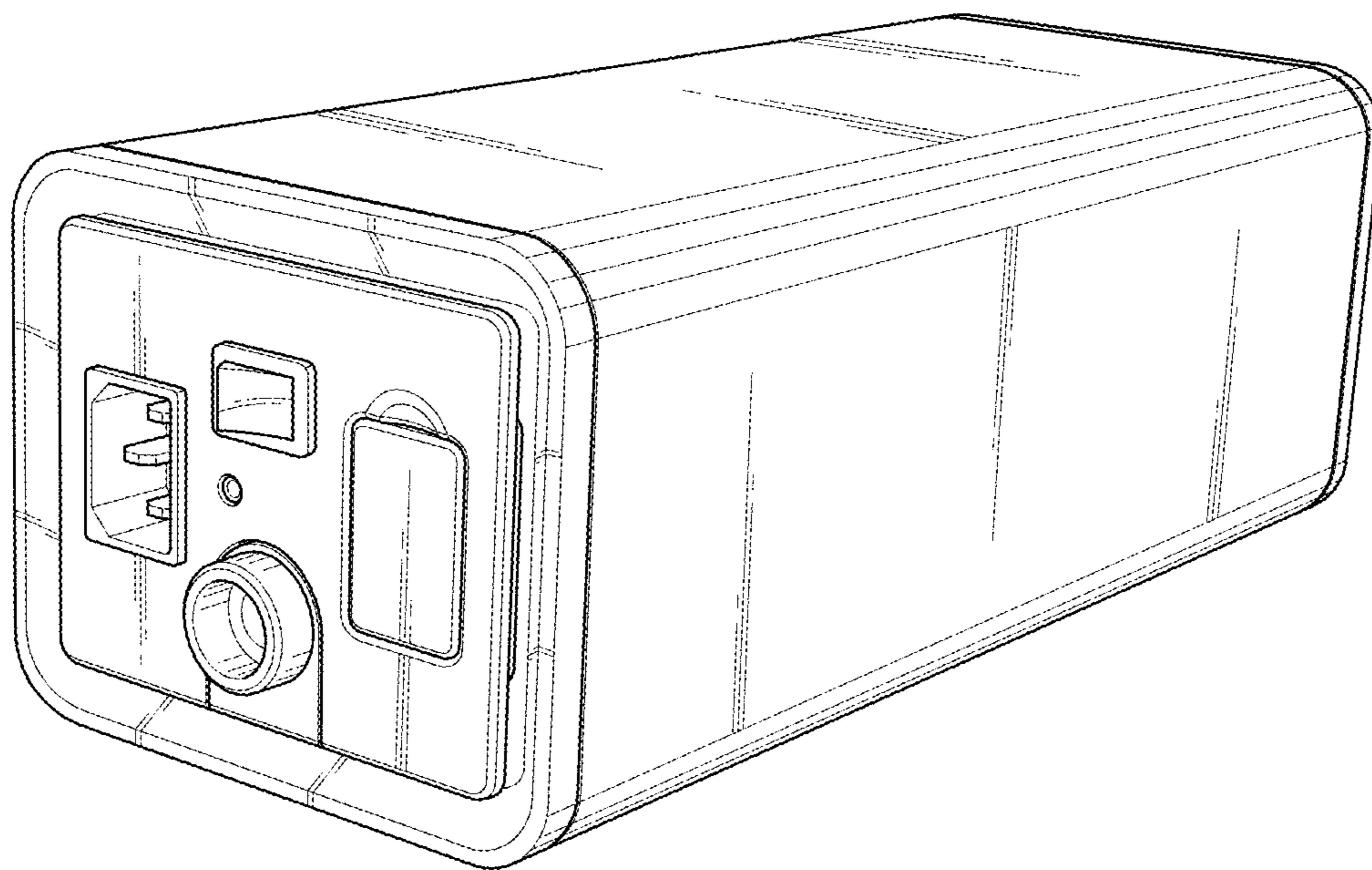


FIG.1

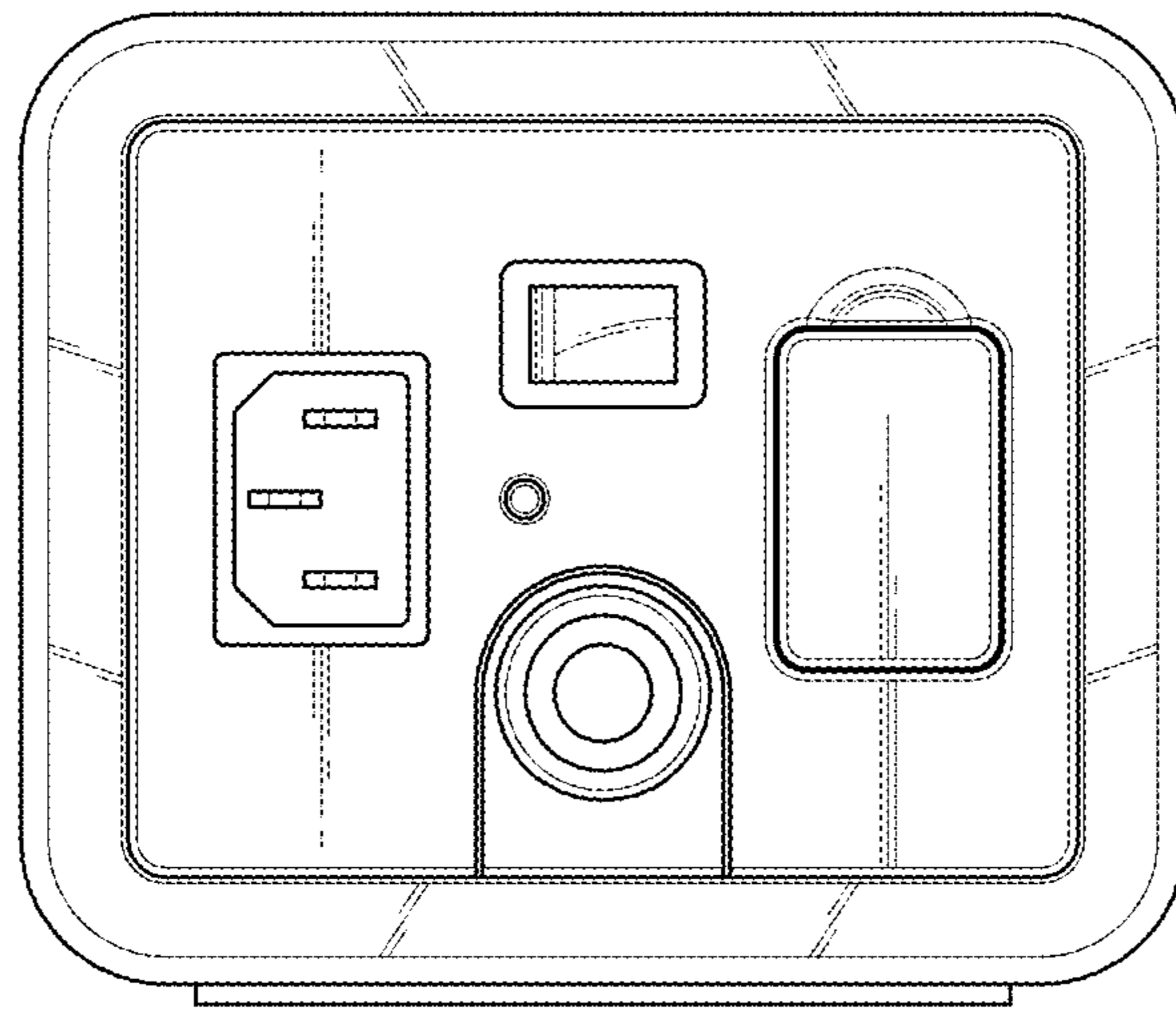


FIG.2

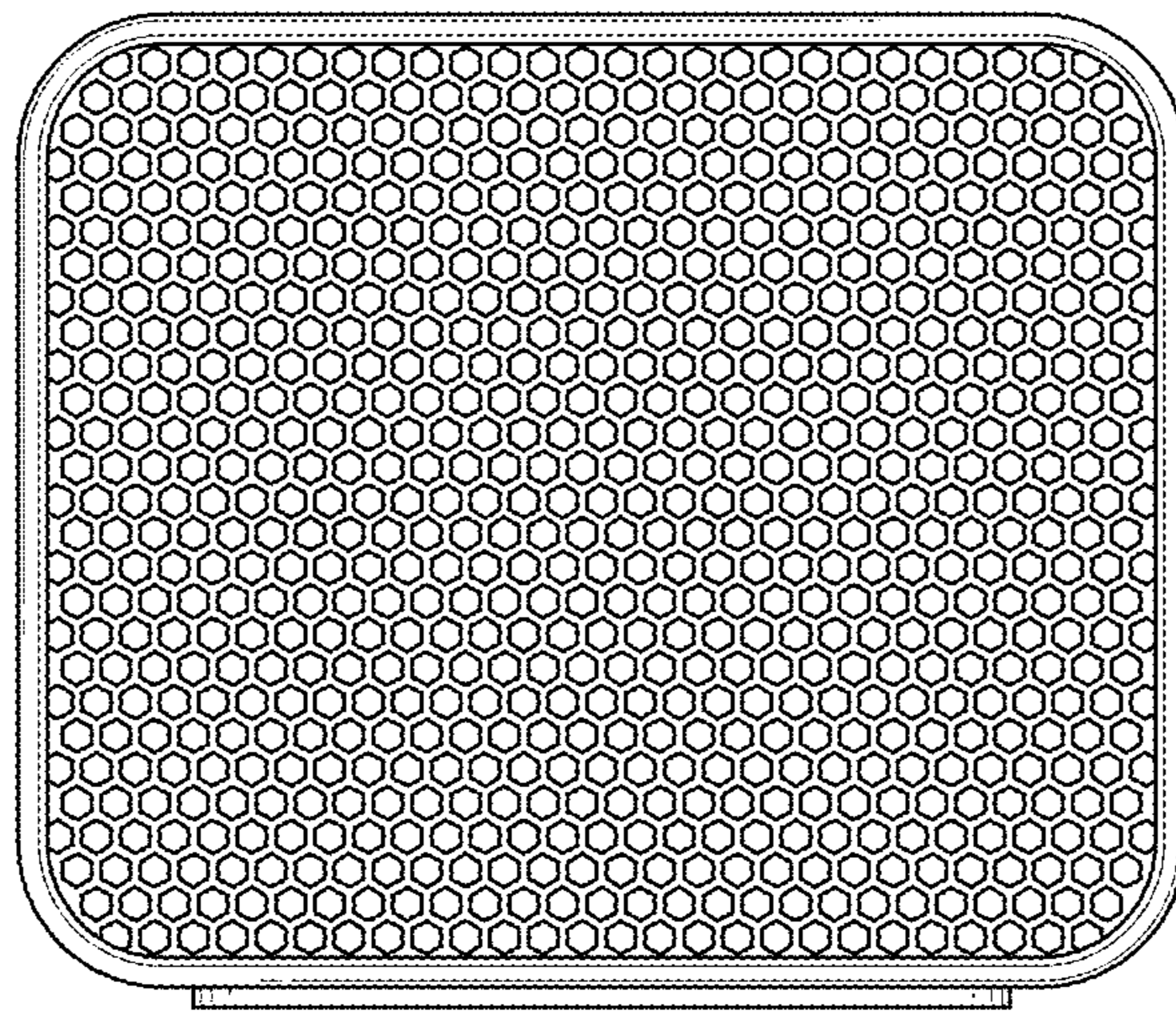


FIG.3

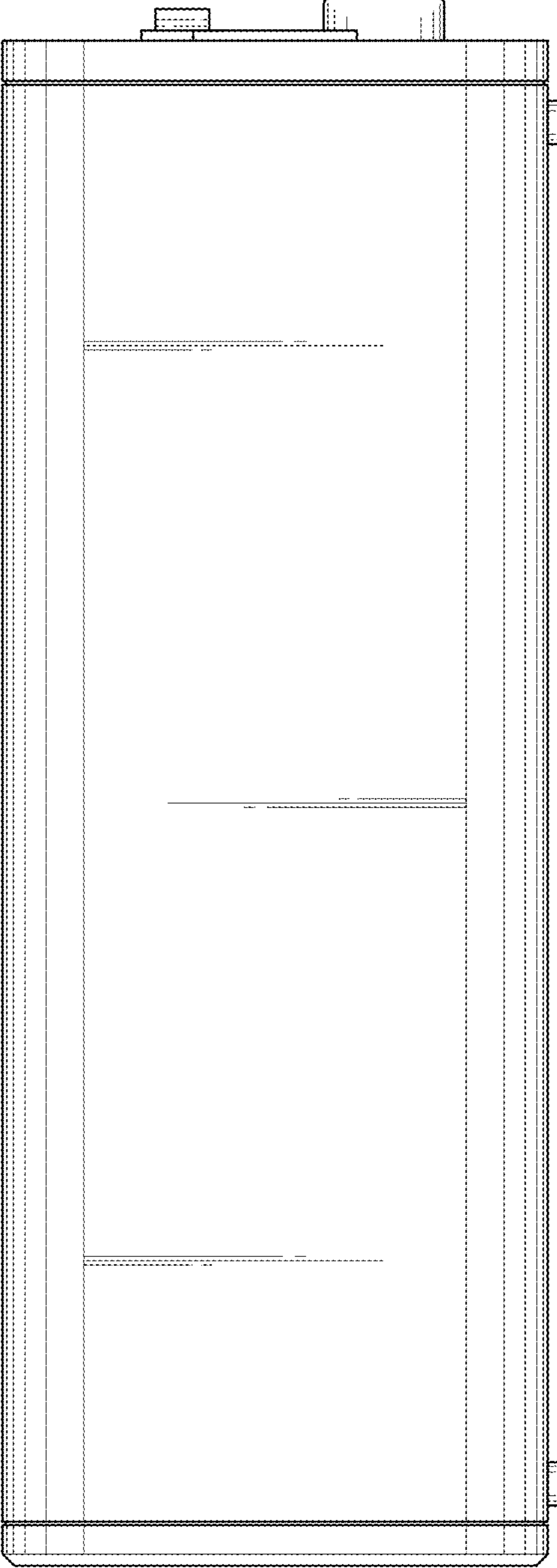


FIG.4

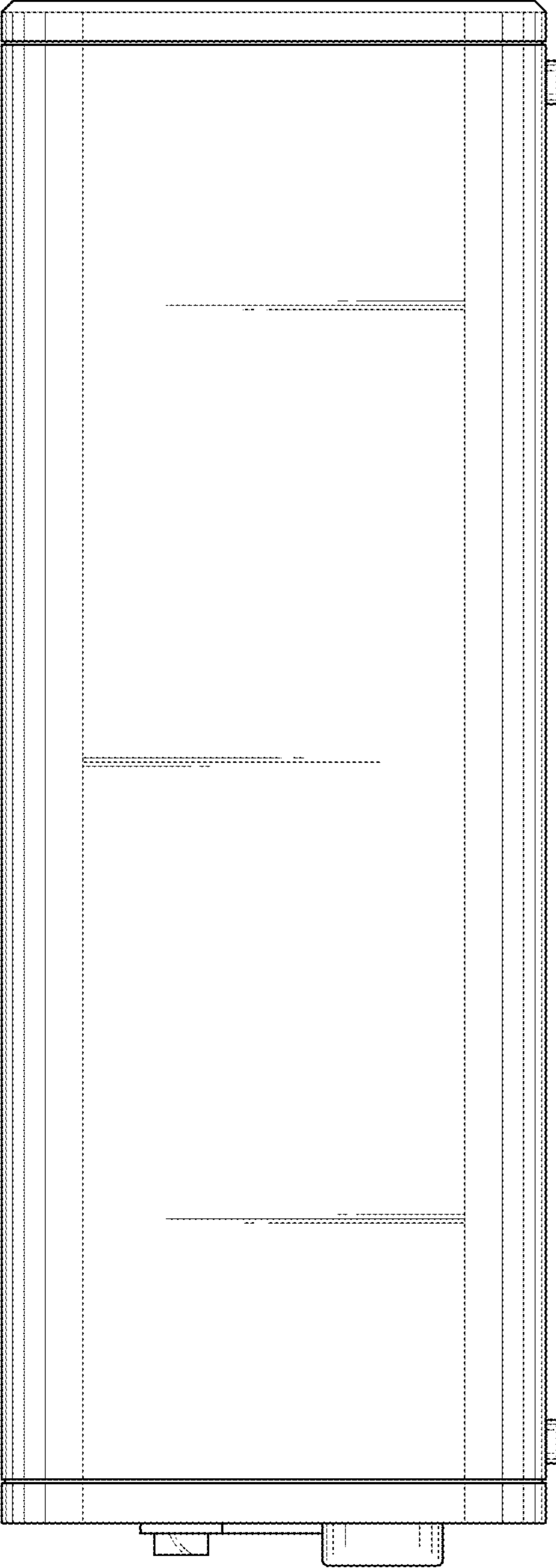


FIG.5

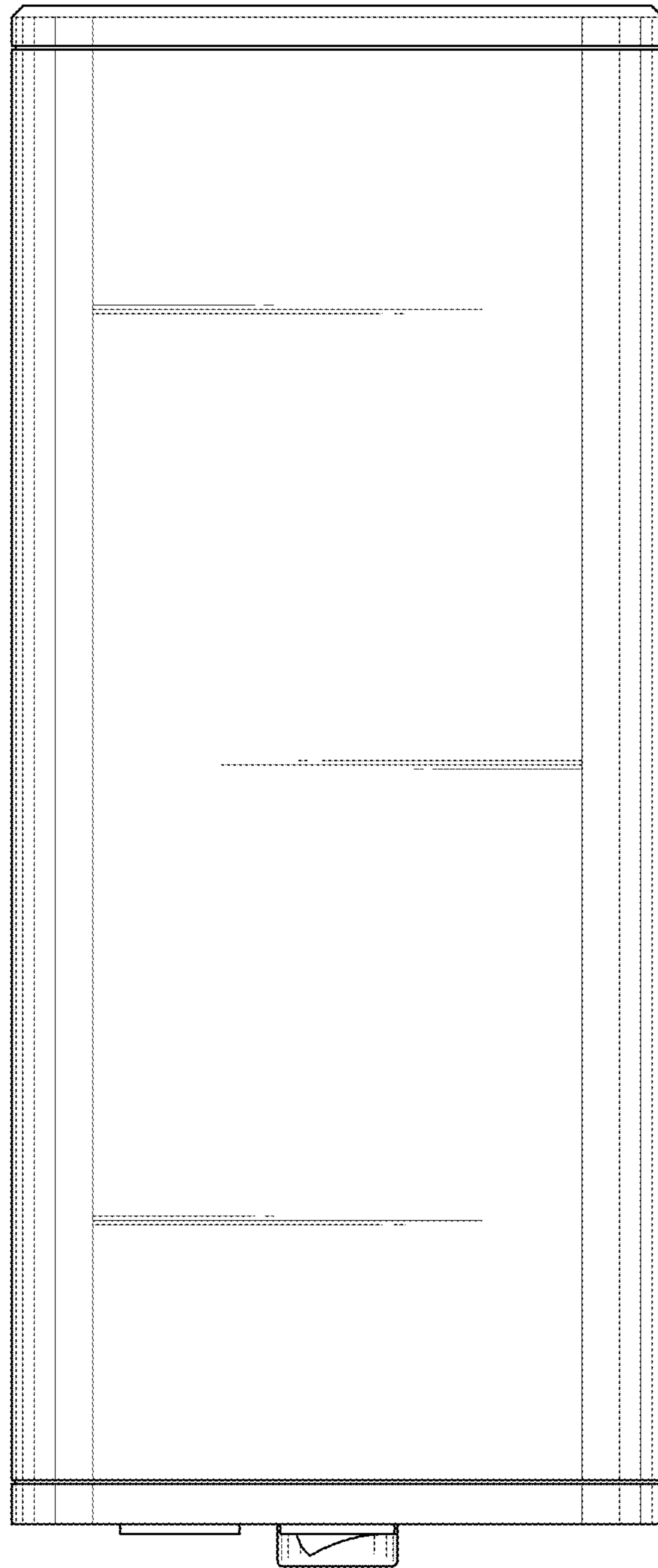


FIG.6

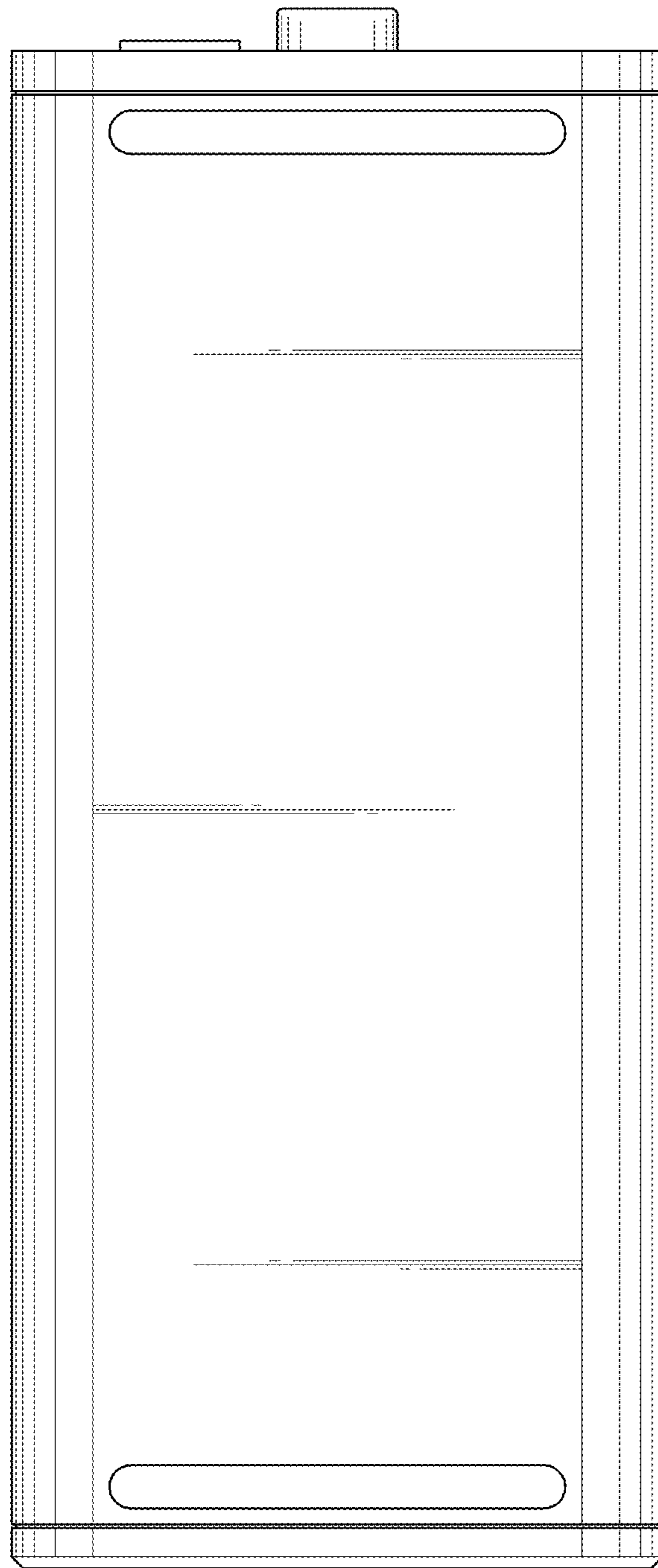


FIG.7

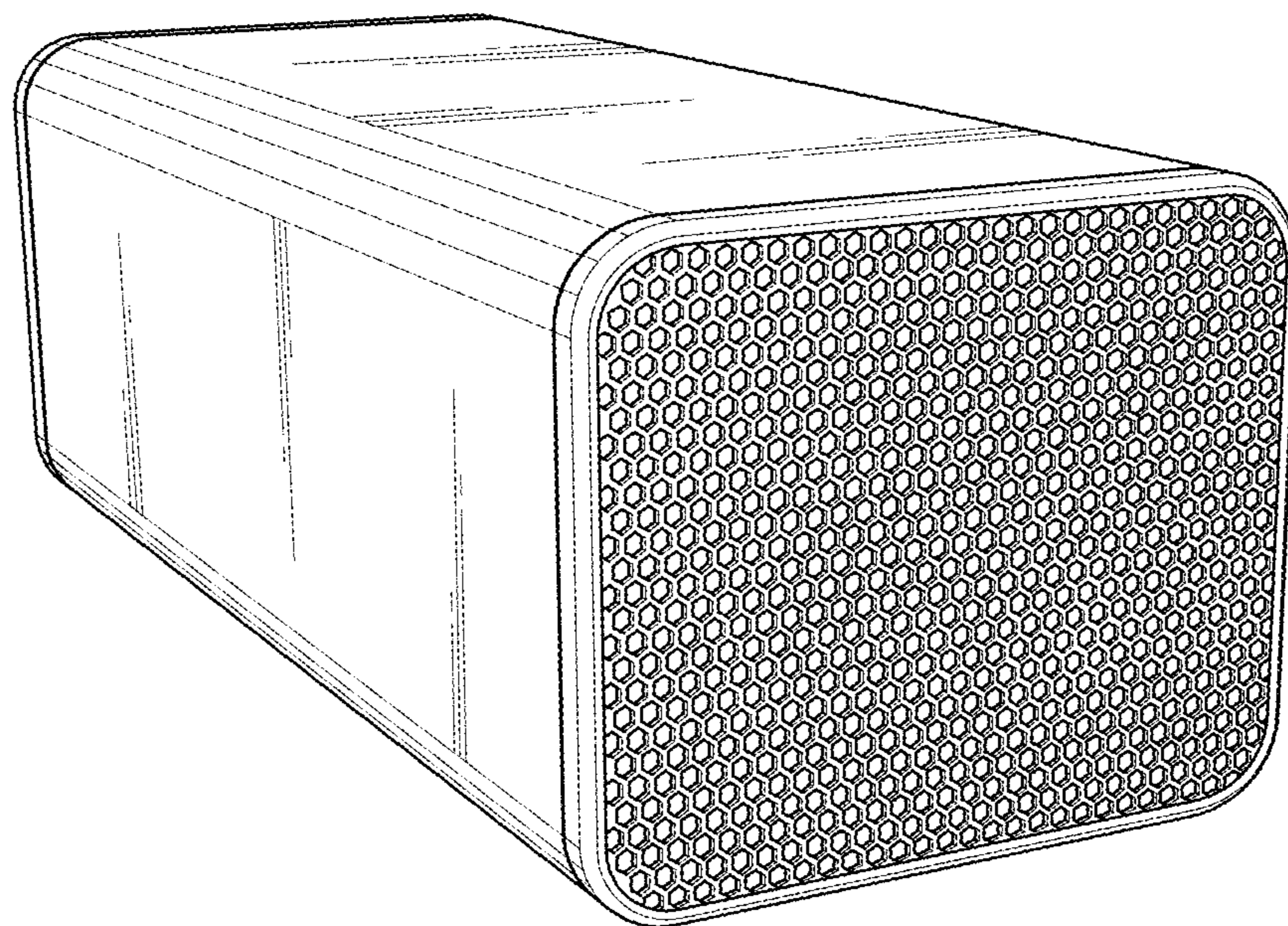


FIG.8