



US00D905628S

(12) **United States Design Patent** (10) **Patent No.:** **US D905,628 S**
Yi (45) **Date of Patent:** **** Dec. 22, 2020**

(54) **CHARGER**
(71) Applicant: **Shaopeng Yi**, Guangdong (CN)
(72) Inventor: **Shaopeng Yi**, Guangdong (CN)
(73) Assignee: **Shenzhen Ruiding Electronics Co., Ltd.**, Guangdong (CN)
(**) Term: **15 Years**
(21) Appl. No.: **29/702,617**

D571,722 S * 6/2008 Kang D13/107
D573,088 S * 7/2008 Castellucci D13/107
D598,845 S * 8/2009 Kingston D13/107
D599,287 S * 9/2009 Kingston D13/107
D614,127 S * 4/2010 Kingston D13/107
D623,129 S * 9/2010 Kawakami D13/107
D623,130 S * 9/2010 Kawakami D13/107
D694,177 S * 11/2013 Bennett D13/107
D718,710 S * 12/2014 Rabalais D13/107
D792,844 S * 7/2017 Liu D13/107
D808,899 S * 1/2018 Li D13/107
D808,900 S * 1/2018 Li D13/107
D810,012 S * 2/2018 Li D13/107
D817,871 S * 5/2018 Li D13/107

(22) Filed: **Aug. 21, 2019**
(51) **LOC (12) Cl.** **13-02**
(52) **U.S. Cl.**
USPC **D13/107**
(58) **Field of Classification Search**
USPC D13/103, 107-108, 110, 184, 199;
D14/251, 253, 432, 434
CPC H02J 7/0044; H02J 7/0045; H02J 7/0042;
H02J 7/342; H02J 7/345; H02J 7/025;
H02J 7/026; H02J 7/0007; H02J 7/0027;
H02J 7/0003; H02J 50/00; H02J 50/10;
H02J 50/12; H02J 50/80; H02J 50/40;
H02J 50/402; H02J 50/50
See application file for complete search history.

* cited by examiner

Primary Examiner — Rosemary K Tarcza

(57) **CLAIM**

The ornamental design for a charger, as shown and described.

DESCRIPTION

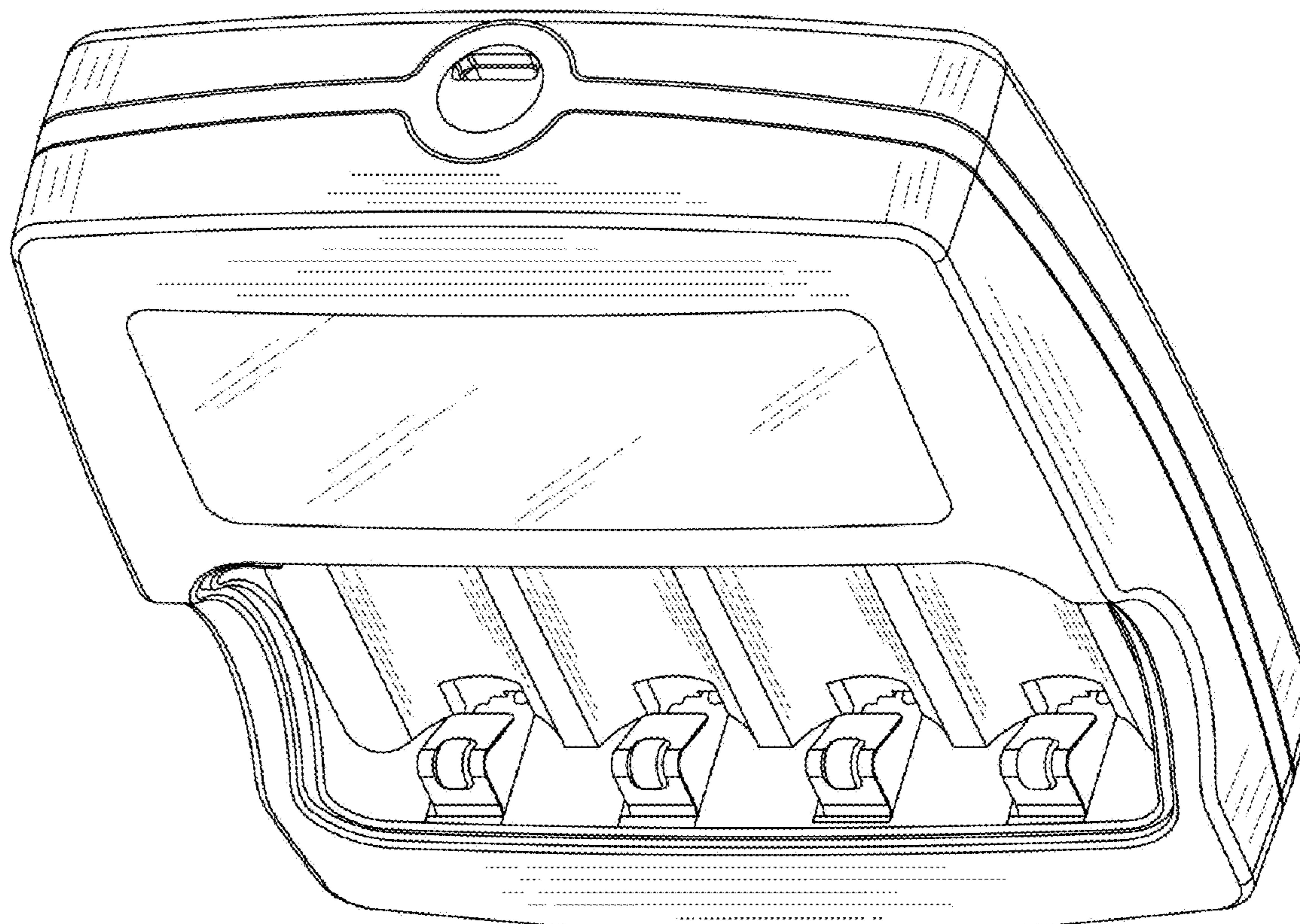
FIG. 1 is a perspective view of a charger showing my new design;
FIG. 2 is a front elevational view thereof;
FIG. 3 is a rear elevational view thereof;
FIG. 4 is a left side elevational view thereof;
FIG. 5 is a right side elevational view thereof;
FIG. 6 is a top plan view thereof; and,
FIG. 7 is a bottom plan view thereof.

(56) **References Cited**

U.S. PATENT DOCUMENTS

D512,019 S * 11/2005 Lie D13/108
D513,403 S * 1/2006 Lie D13/108

1 Claim, 7 Drawing Sheets



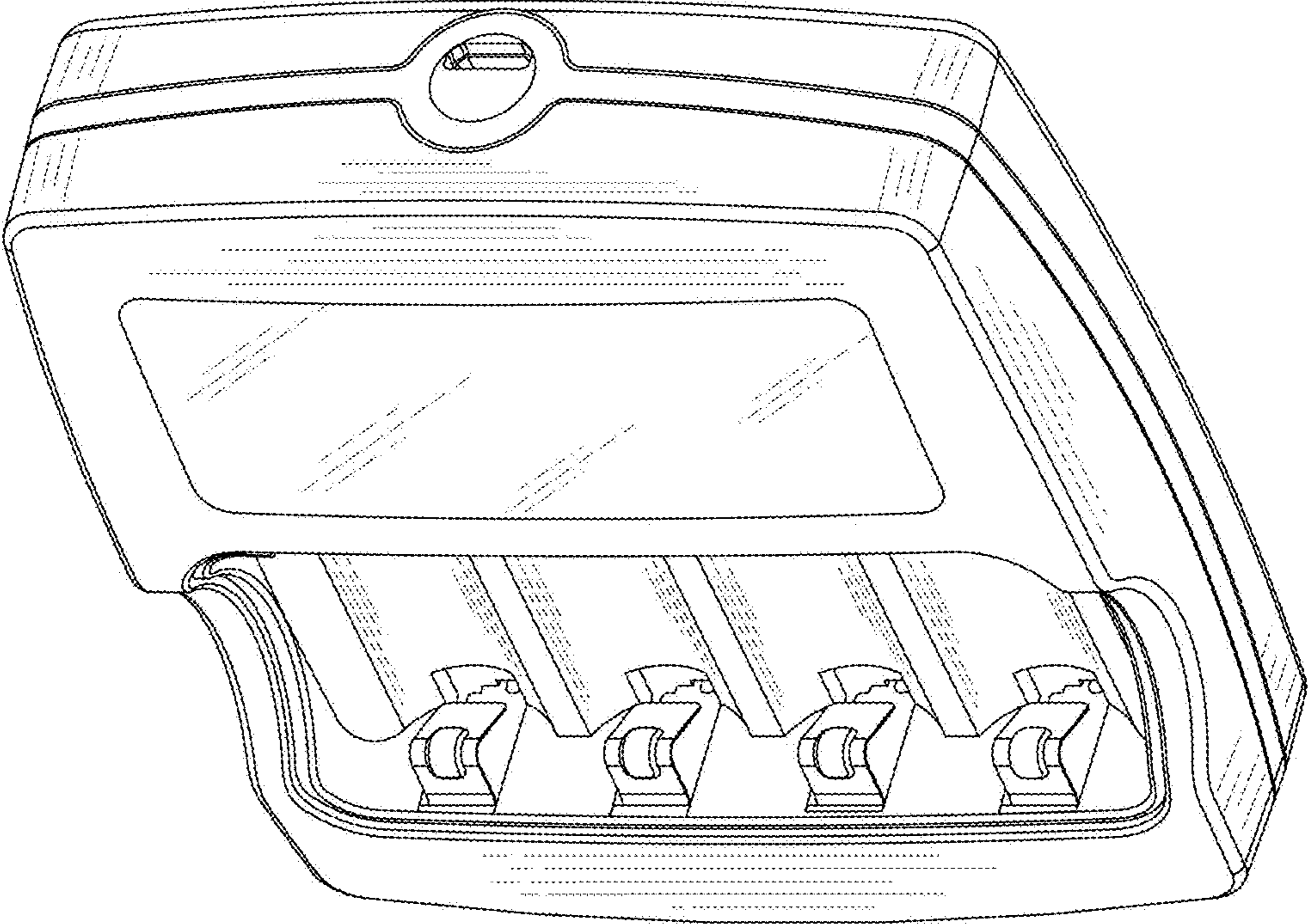


FIG. 1

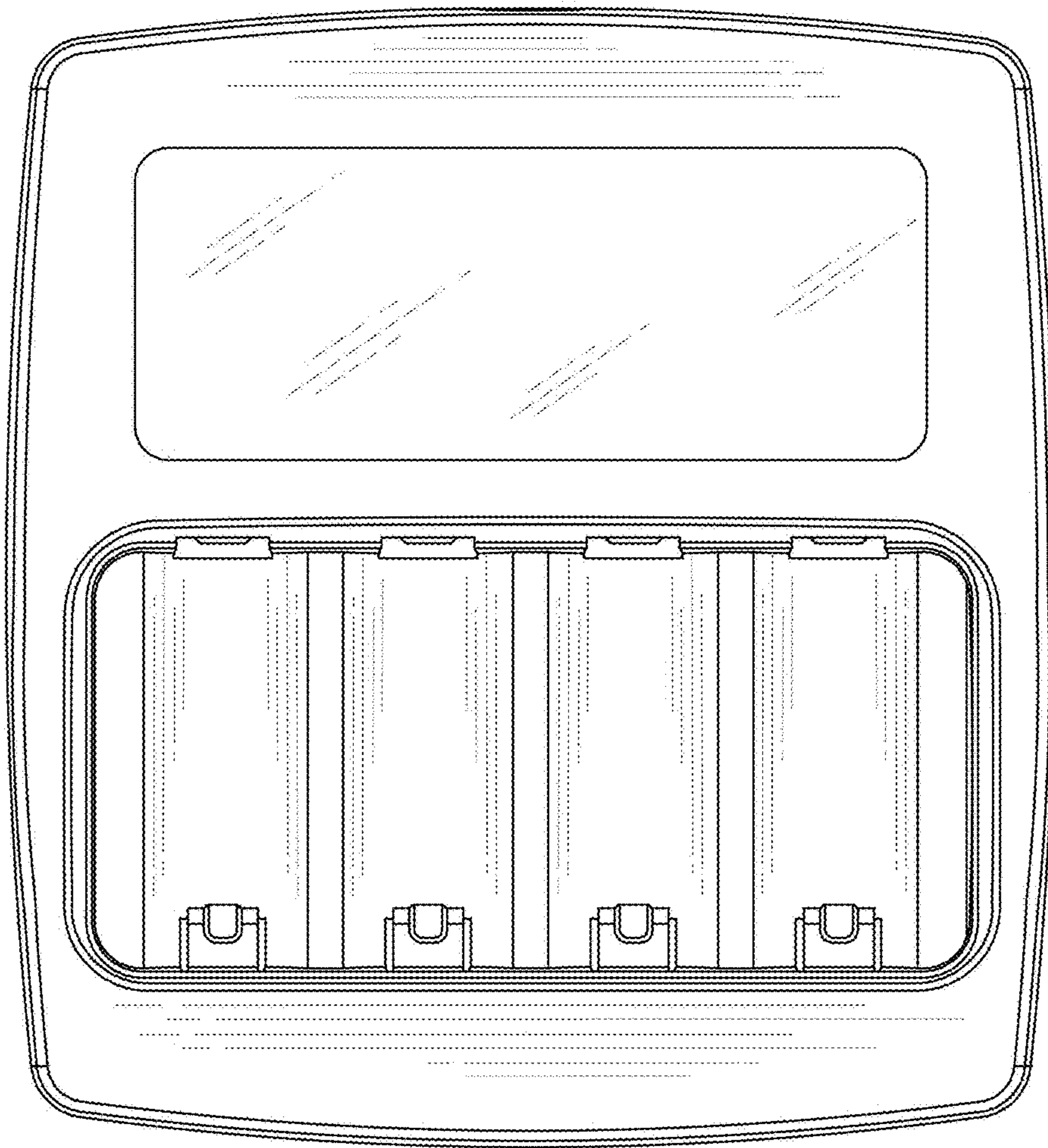


FIG. 2

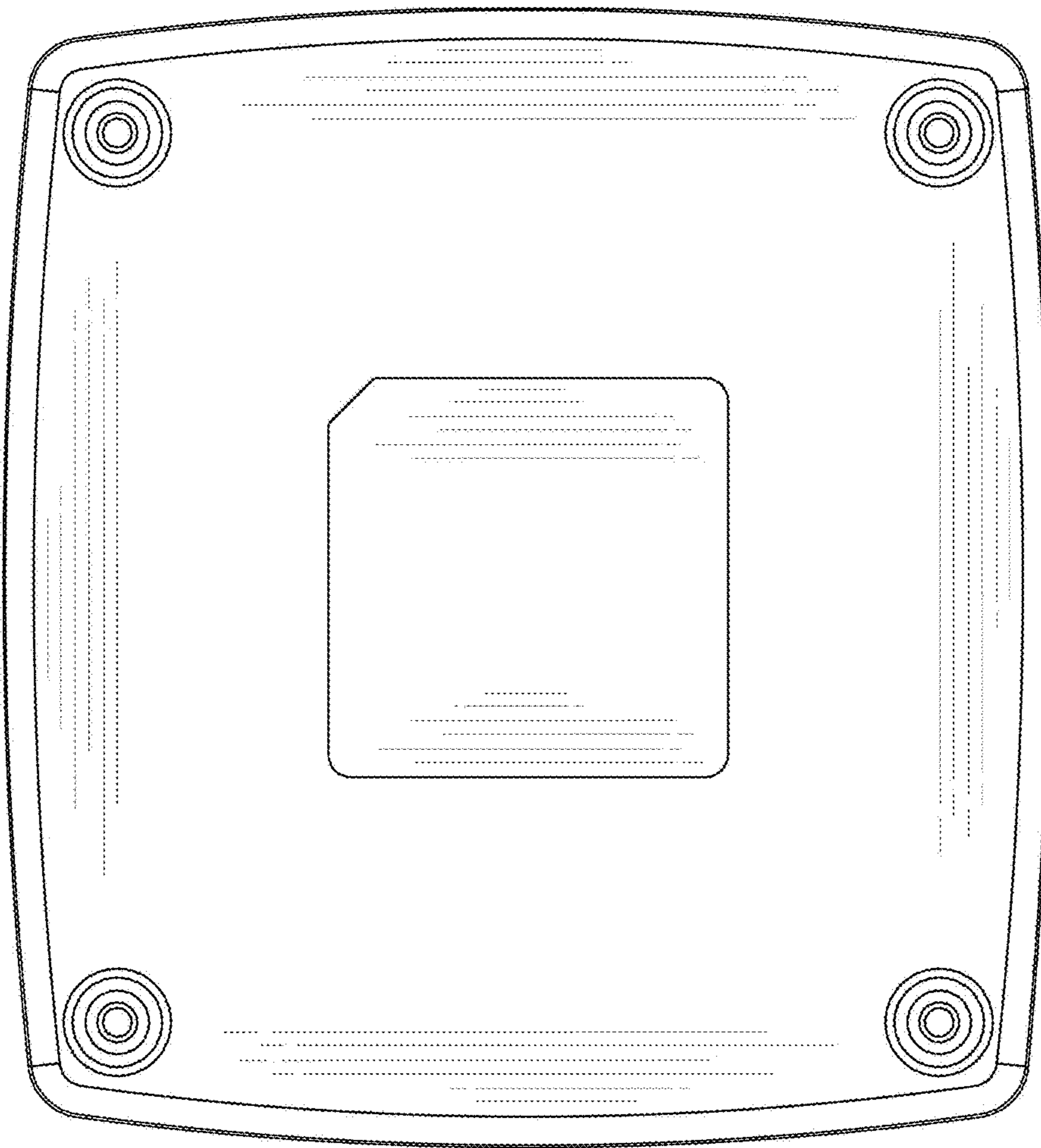


FIG. 3

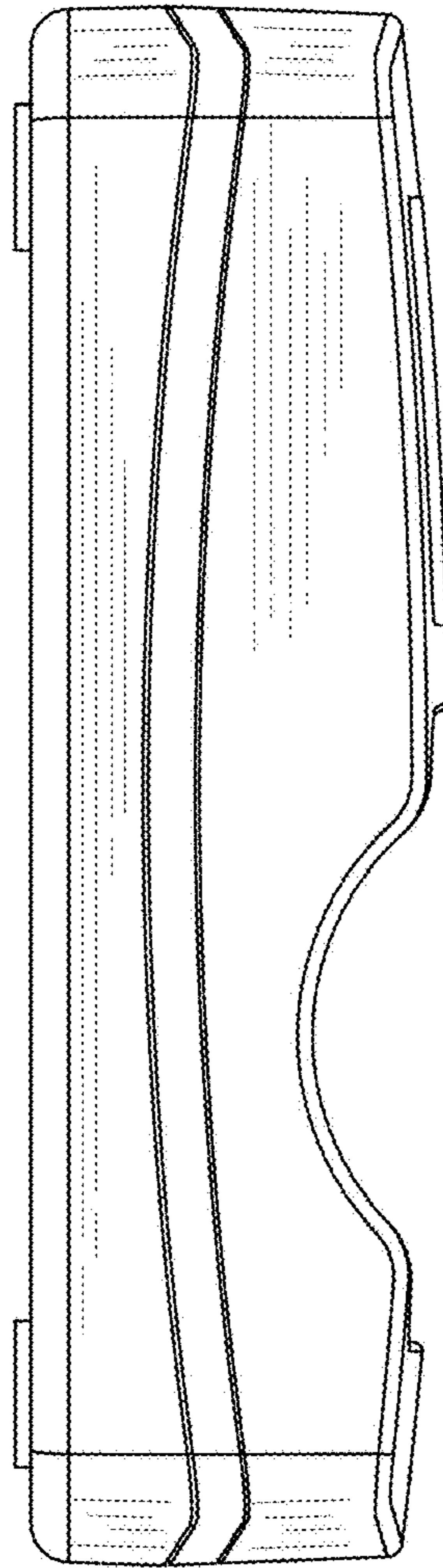


FIG. 4

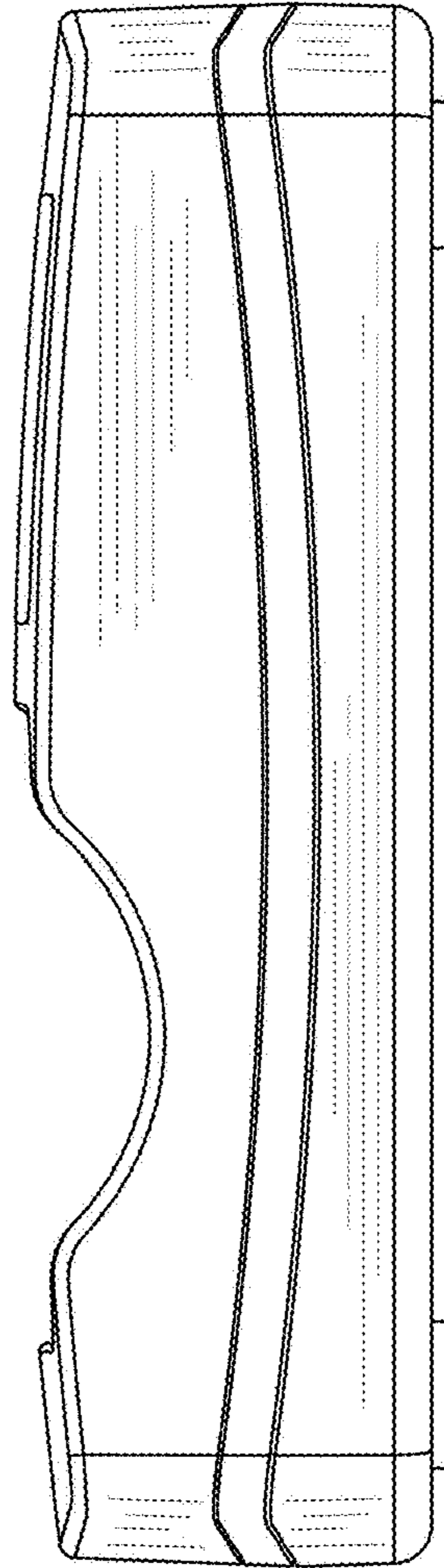


FIG. 5

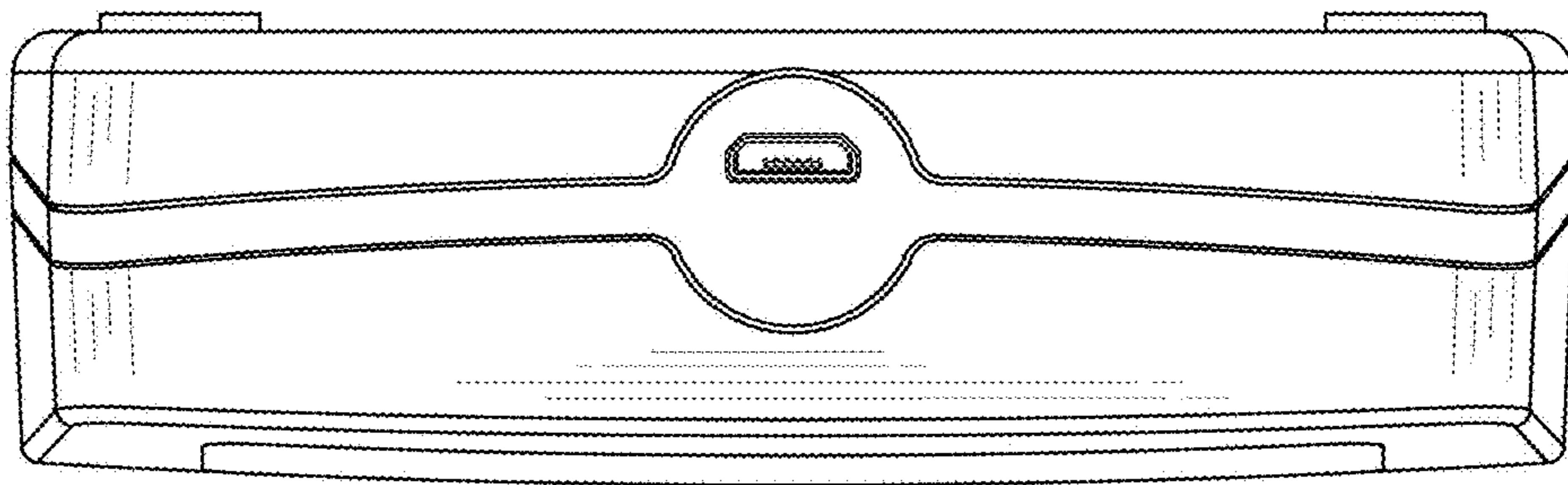


FIG. 6

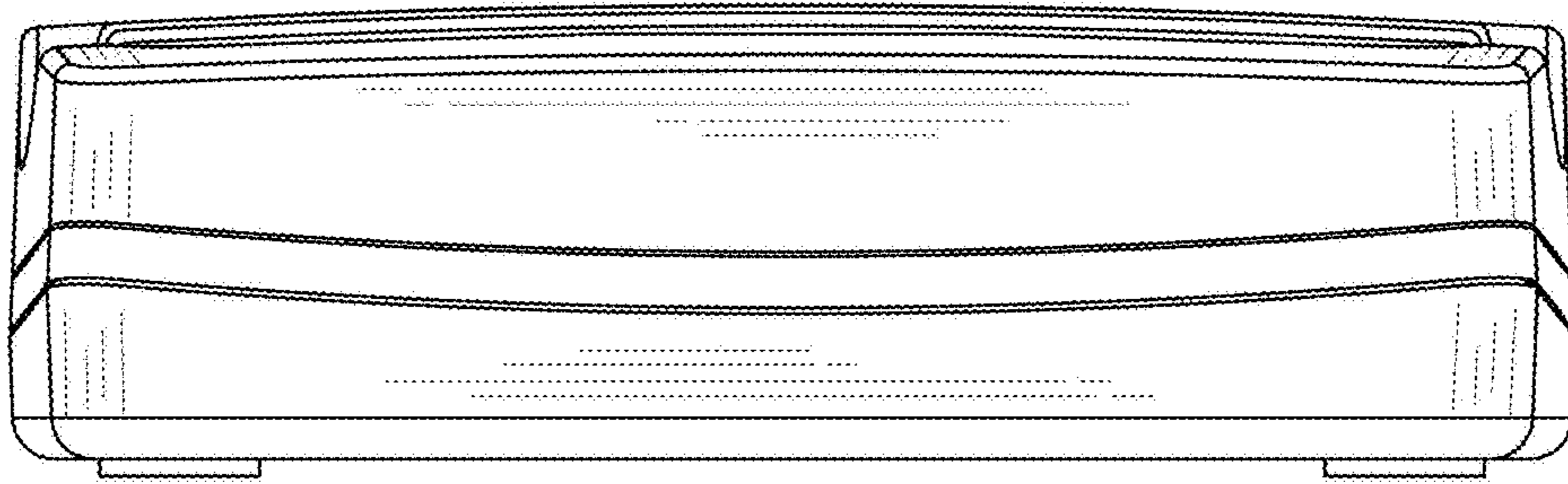


FIG. 7