



US00D905627S

(12) **United States Design Patent** (10) **Patent No.:** **US D905,627 S**
Chuang et al. (45) **Date of Patent:** **** Dec. 22, 2020**

(54) **CHARGING STAND**

(71) Applicant: **KWANG YANG MOTOR CO., LTD.**,
Kaohsiung (TW)

(72) Inventors: **Ping-Huan Chuang**, Kaohsiung (TW);
Yu-Jiun Tsai, Kaohsiung (TW)

(73) Assignee: **KWANG YANG MOTOR CO., LTD.**,
Kaohsiung (TW)

(**) Term: **15 Years**

(21) Appl. No.: **29/661,825**

(22) Filed: **Aug. 31, 2018**

(30) **Foreign Application Priority Data**

Mar. 12, 2018 (TW) 107301388

(51) **LOC (12) Cl.** **13-02**

(52) **U.S. Cl.**
USPC **D13/107**

(58) **Field of Classification Search**

USPC D13/107-110, 118-119, 184; D14/251,
D14/253, 432, 434

CPC Y02E 60/12; Y02T 90/14; Y02T 90/122;
Y02T 90/128; Y02T 90/163; H02J 7/025;
H02J 7/0042; H02J 7/0044; H02J 7/0045;
H02J 7/0013; H02J 7/0003; H01F 38/14;
H01R 13/6675; H01M 2/1022; H01M
2/1055; H01M 10/44; H01M 10/46;
H01M 10/425; B60L 11/182

See application file for complete search history.

(56) **References Cited**

U.S. PATENT DOCUMENTS

D324,635 S *	3/1992	Weinerman	D8/331
D620,882 S *	8/2010	Houghton	D13/108
D627,718 S *	11/2010	Houghton	D13/108
D686,983 S *	7/2013	Schygge	D13/107
D693,765 S *	11/2013	Workman	D13/110
D698,676 S *	2/2014	Yagi	D10/103
D768,571 S *	10/2016	Shigeno	D13/108
D803,219 S *	11/2017	Volek	D14/434
D808,901 S *	1/2018	Kelly	D13/107
D832,212 S *	10/2018	Hsieh	D13/110
D870,664 S *	12/2019	Langhammer	D13/108
D872,691 S *	1/2020	Liao	D13/108
D883,202 S *	5/2020	Edwards	D13/108

* cited by examiner

Primary Examiner — Nathaniel D. Buckner

(74) *Attorney, Agent, or Firm* — Leong C. Lei

(57) **CLAIM**

The ornamental design for a charging stand, as shown and described.

DESCRIPTION

FIG. 1 is a perspective view of a charging stand showing my new design;

FIG. 2 is a front elevational view thereof;

FIG. 3 is a rear elevational view thereof;

FIG. 4 is a left side perspective view thereof;

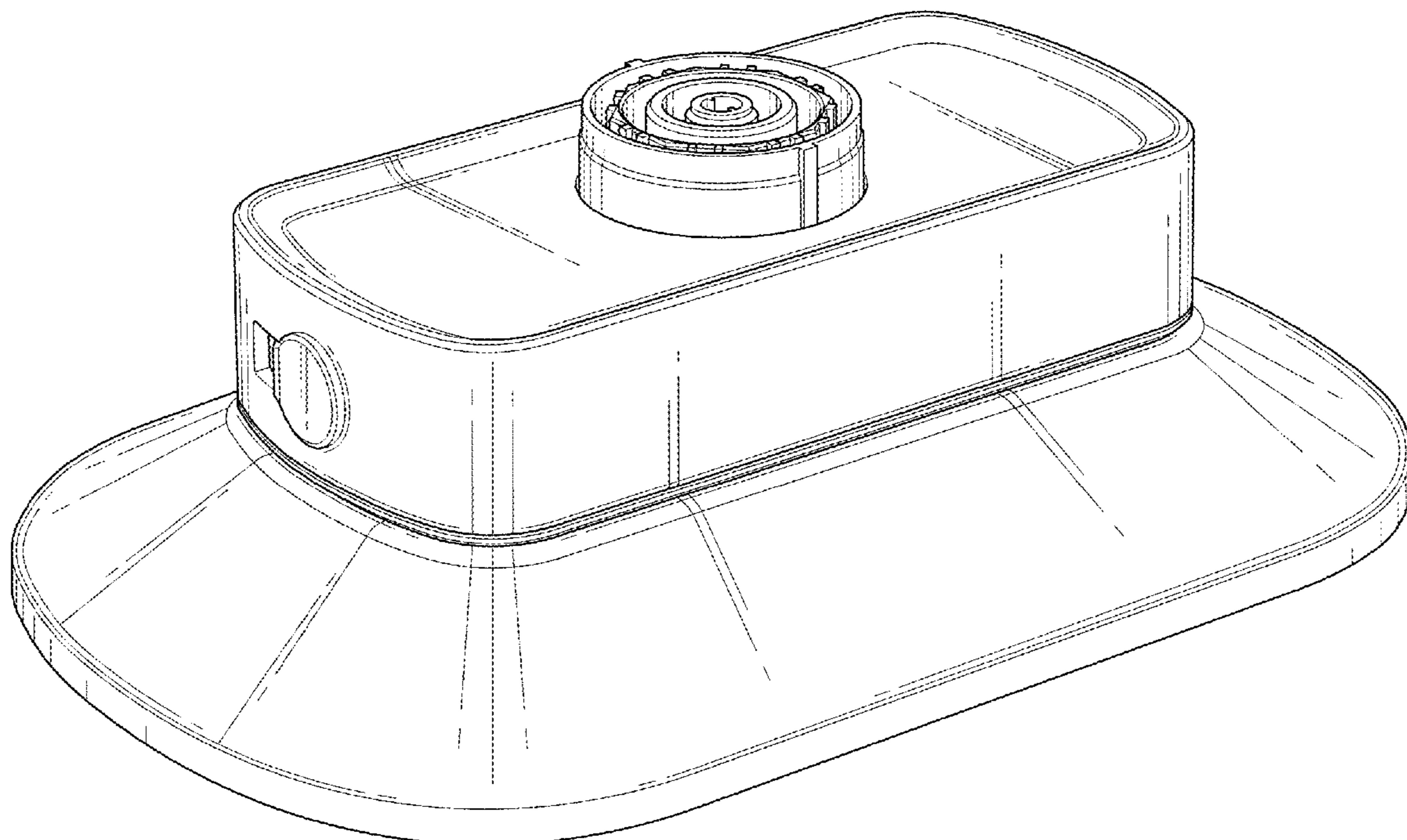
FIG. 5 is a right side perspective view thereof;

FIG. 6 is a top plan view thereof; and,

FIG. 7 is a bottom plan view thereof.

The broken lines in the drawings illustrate portions of the charging stand which forms no part of the claimed design.

1 Claim, 7 Drawing Sheets



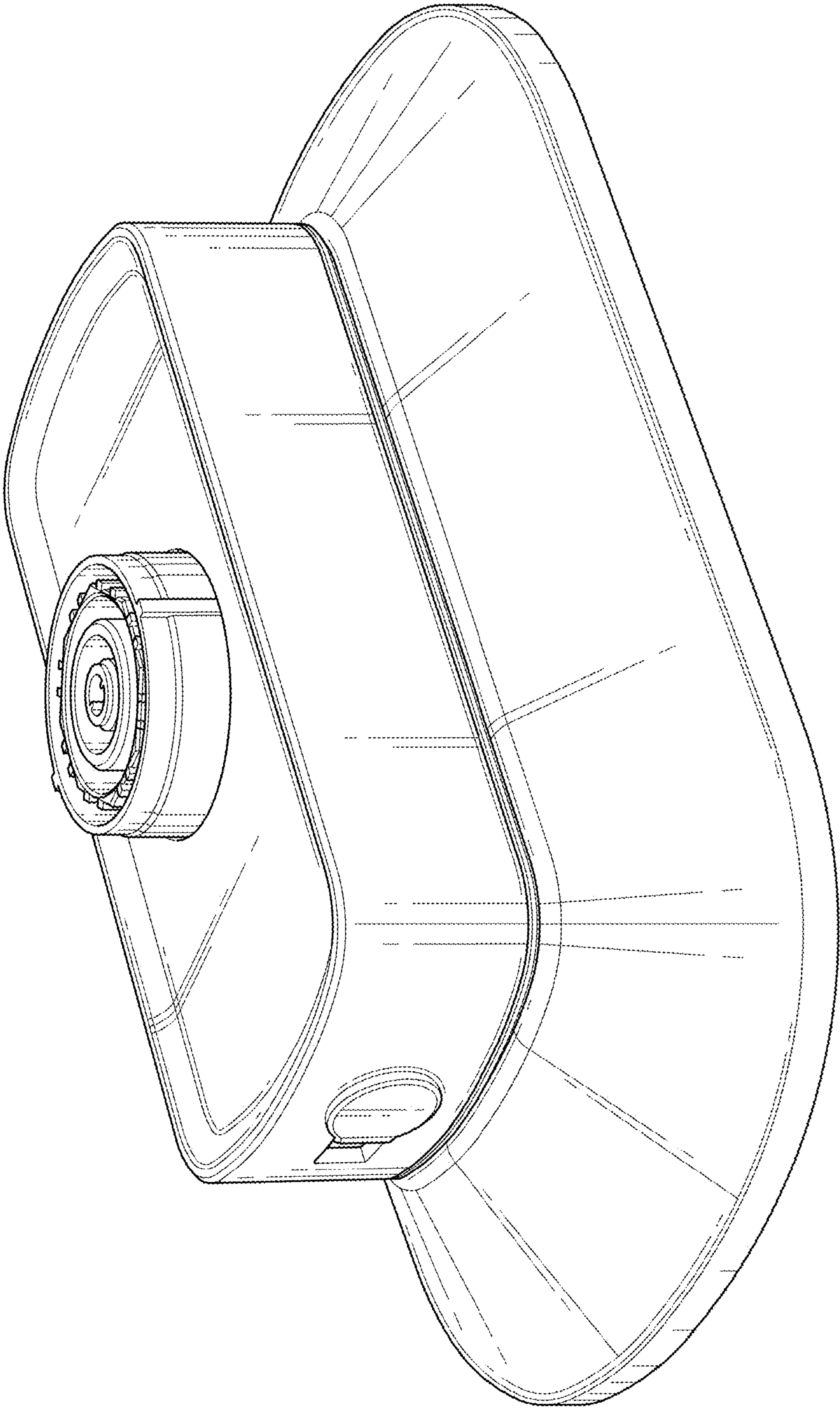


FIG.1

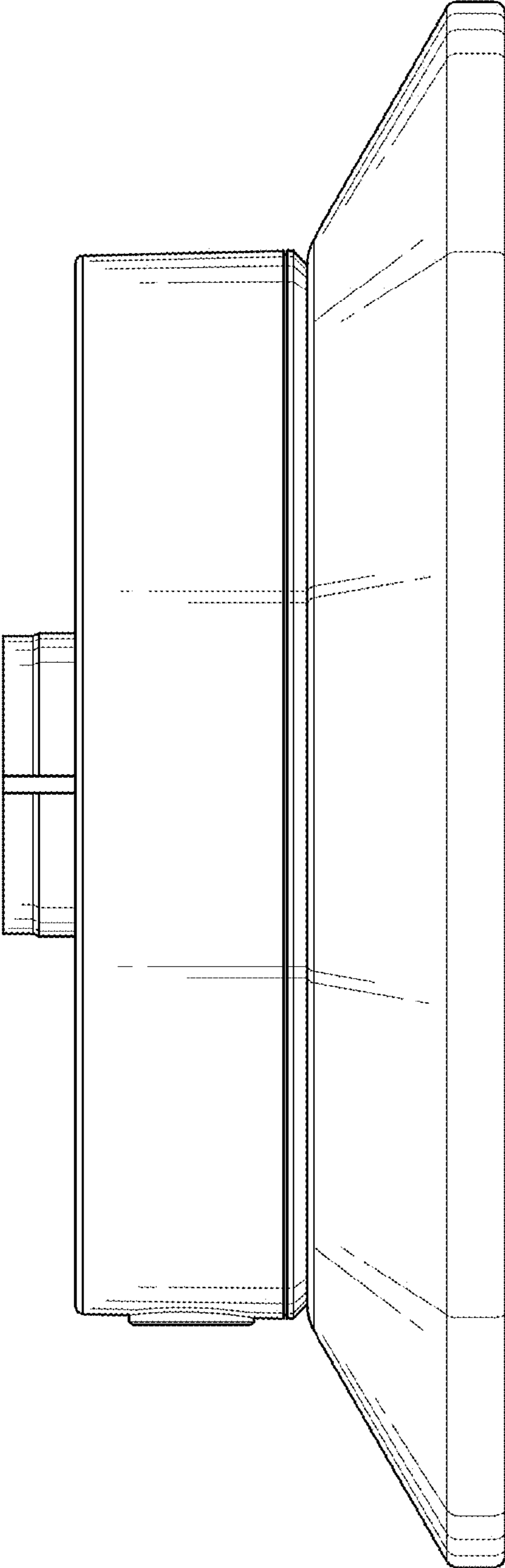


FIG. 2

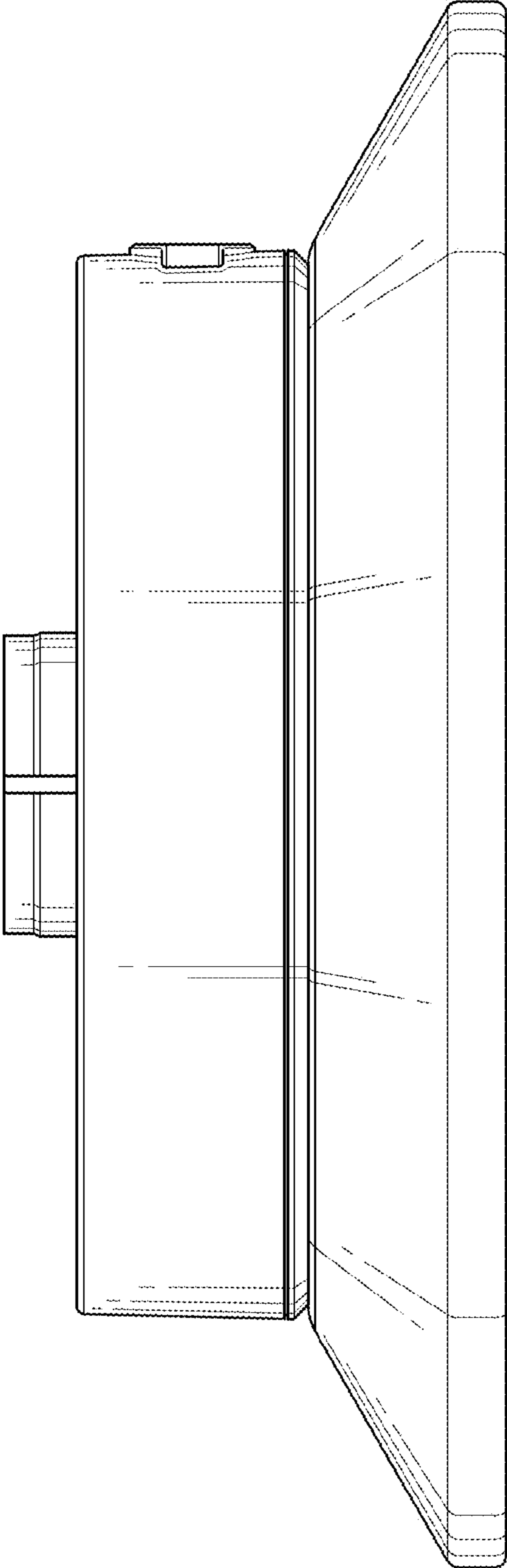


FIG.3

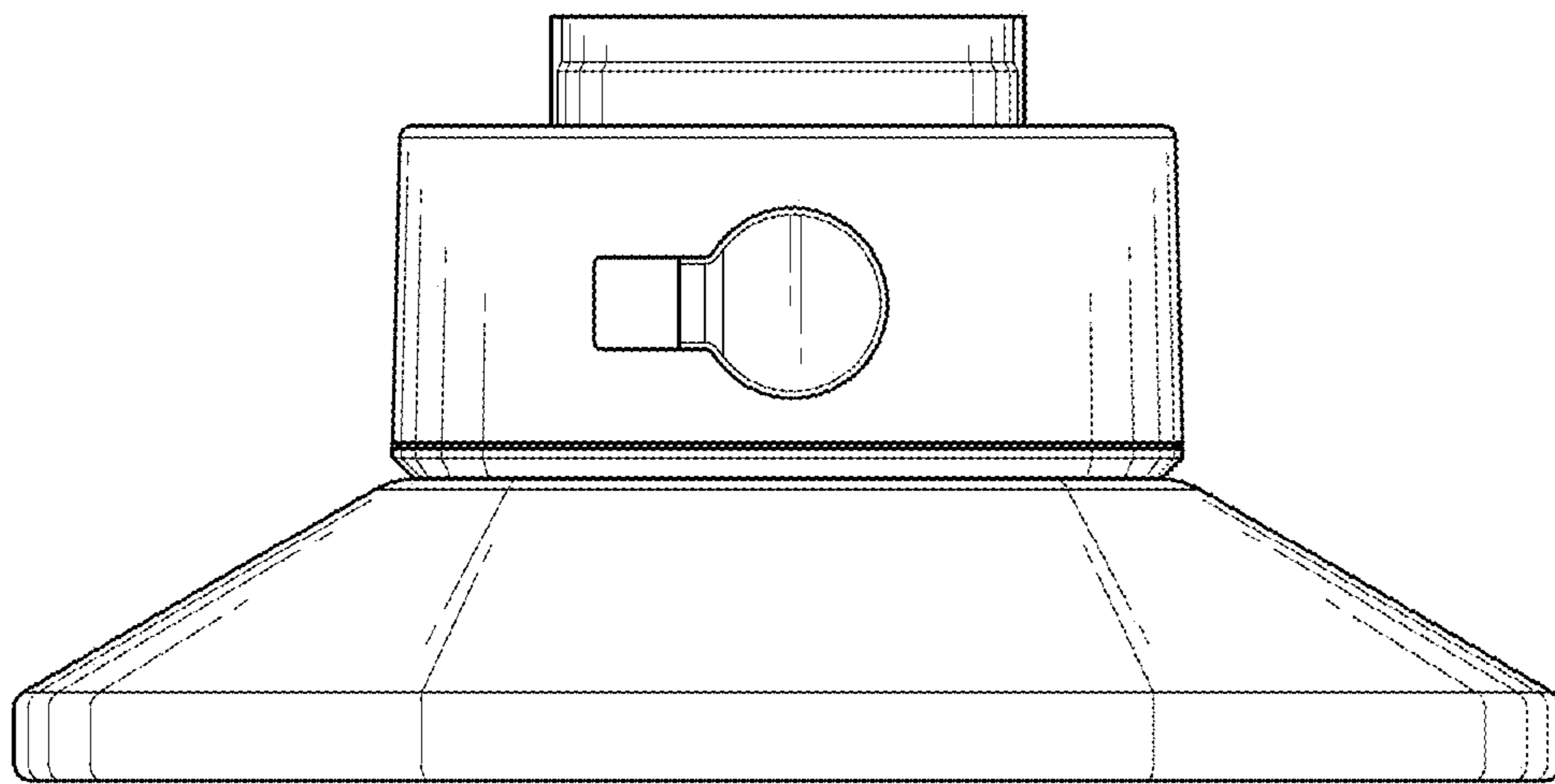


FIG.4

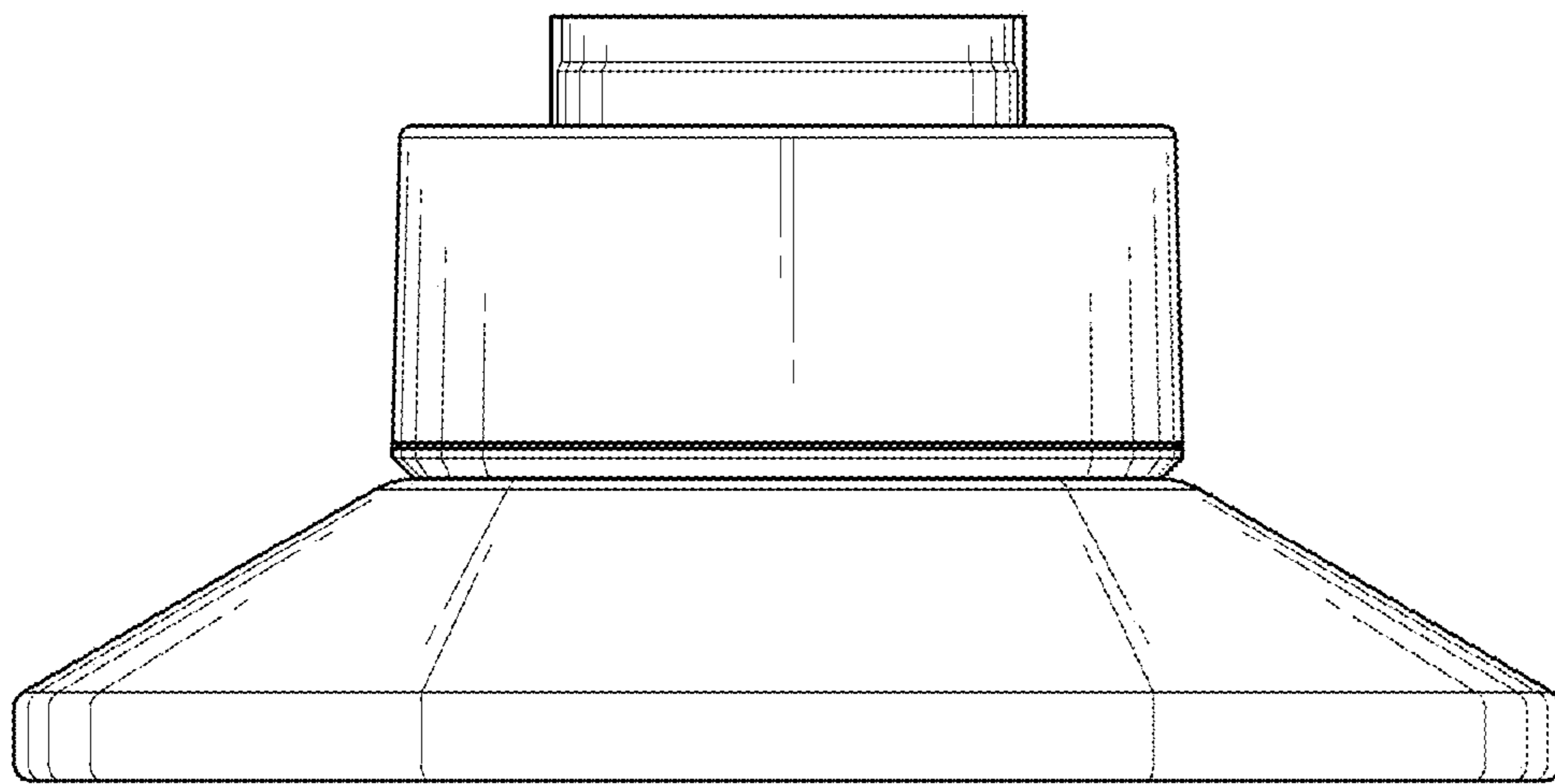


FIG.5

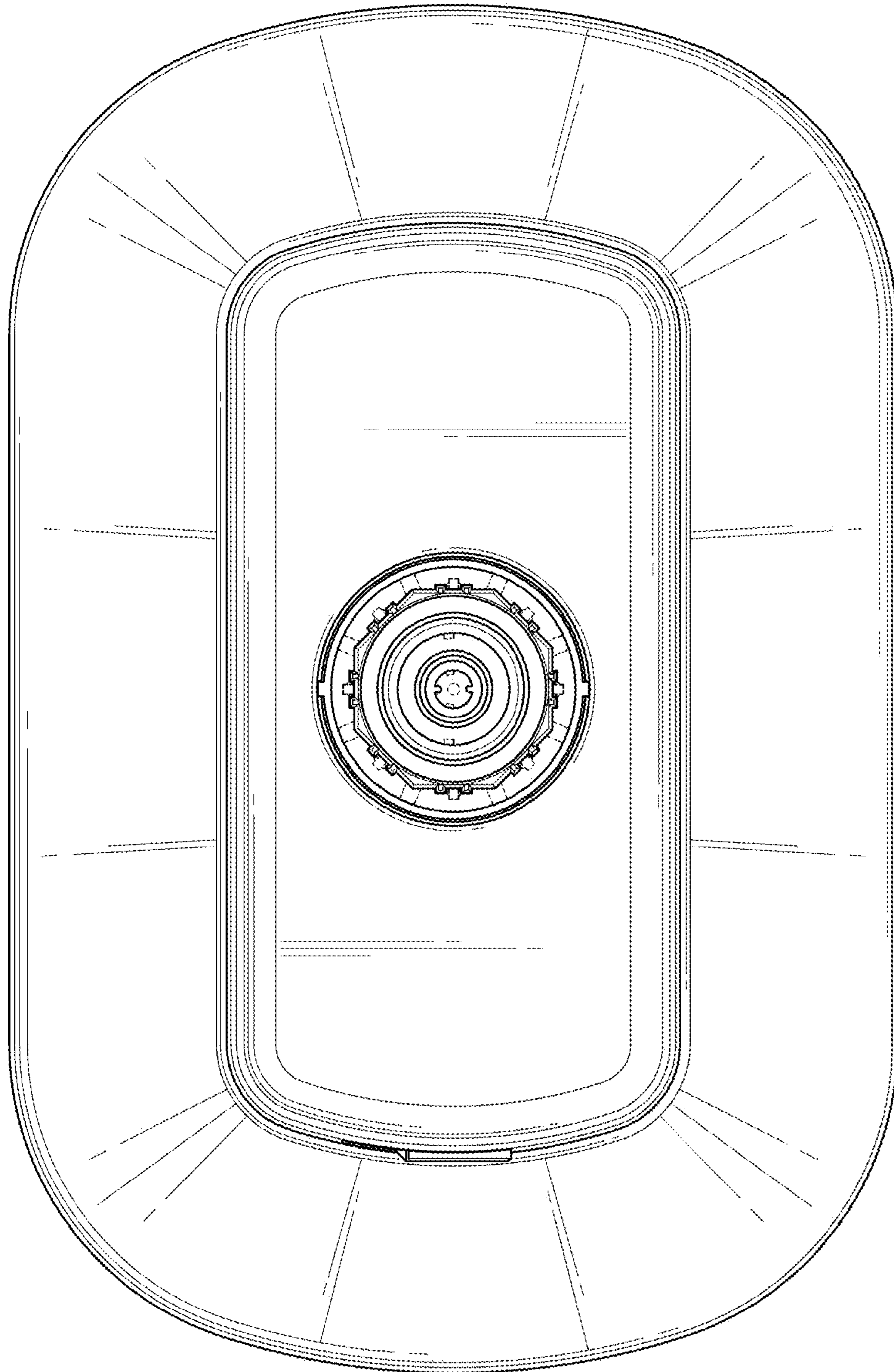


FIG.6

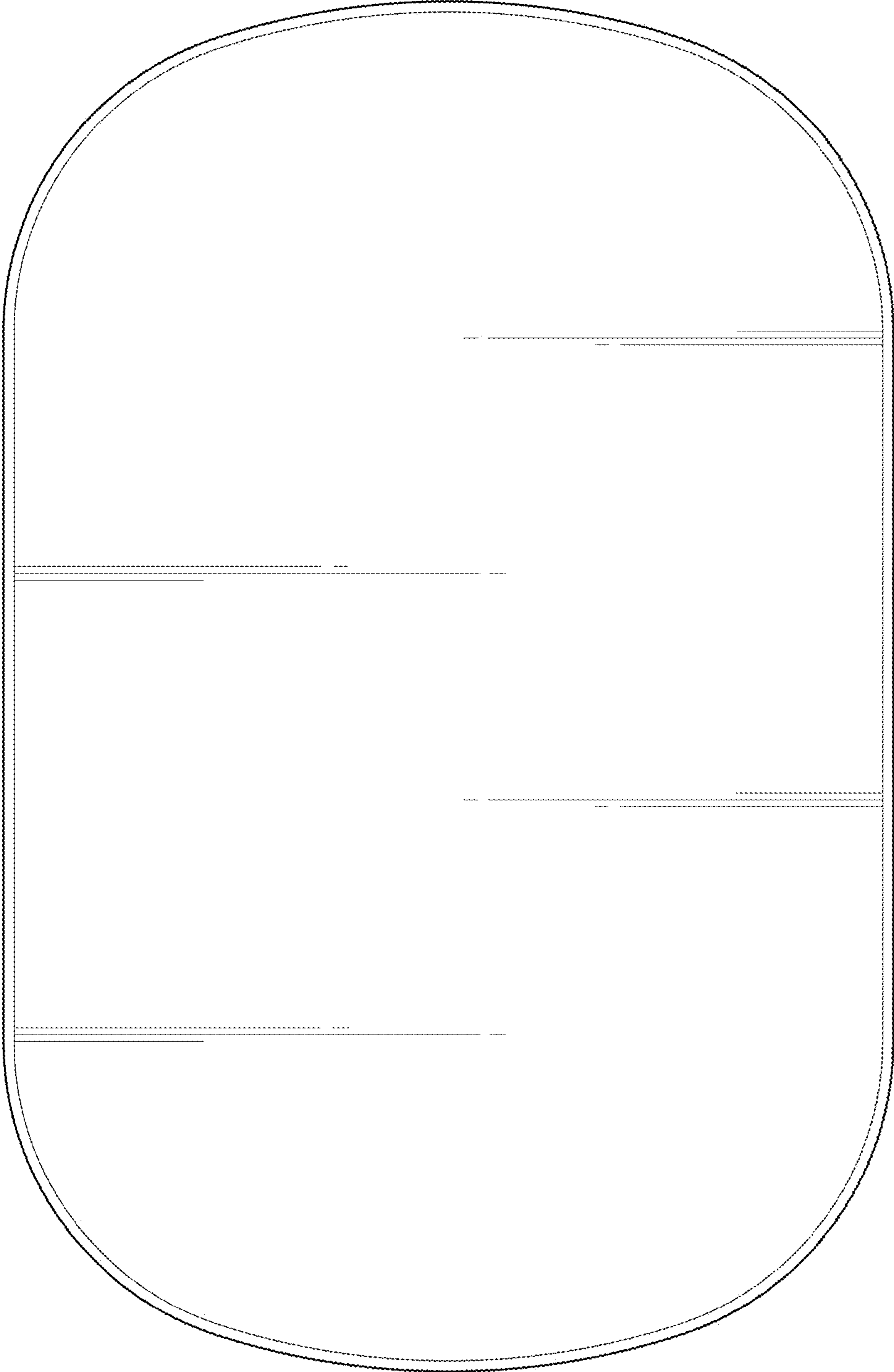


FIG.7