



US00D905623S

(12) **United States Design Patent**
Kojima et al.

(10) **Patent No.:** **US D905,623 S**
(45) **Date of Patent:** **** Dec. 22, 2020**

(54) **MOBILE SOLAR PANEL CONNECTOR**

FOREIGN PATENT DOCUMENTS

(71) Applicant: **ZEON CORPORATION**, Tokyo (JP)

JP 1580840 S 7/2017

(72) Inventors: **Kiyoshige Kojima**, Tokyo (JP); **Yuki Hayashi**, Tokyo (JP)

OTHER PUBLICATIONS

(73) Assignee: **ZEON CORPORATION**, Tokyo (JP)

Sep. 26, 2019, Office Action issued by the Korean Intellectual Property Office in the corresponding Korean national stage application from the international registration No. DM/101482.

(**) Term: **15 Years**

(Continued)

(21) Appl. No.: **29/649,180**

Primary Examiner — Janice Hallmark

(22) Filed: **May 28, 2018**

Assistant Examiner — Suzanne E Tisdell

(74) *Attorney, Agent, or Firm* — Kenja IP Law PC

(30) **Foreign Application Priority Data**

Nov. 30, 2017 (JP) 2017-026803

(51) **LOC (12) Cl.** **13-02**

(52) **U.S. Cl.**
USPC **D13/102**

(58) **Field of Classification Search**

USPC D8/71, 349, 354, 356, 373, 382, 383,
D8/394, 395, 396, 499; D13/118, 184,
D13/199; D25/68, 102, 138, 199
CPC F16G 11/00; F16G 11/02; F16G 11/103;
F16G 11/046; F16G 11/048; F16G
11/105; F16L 3/237; H02G 3/30; H02G
7/06

See application file for complete search history.

(56) **References Cited**

U.S. PATENT DOCUMENTS

4,509,813 A * 4/1985 Hesse H01R 12/716
439/347
D286,743 S * 11/1986 Cohen D8/394
6,854,234 B2 * 2/2005 Gimpel E04B 1/6162
160/135
D535,869 S * 1/2007 Brunsteter D8/382
D632,953 S * 2/2011 Carney D8/382
D713,341 S * 9/2014 Repp D13/118
D727,138 S * 4/2015 Cross D8/382
D744,817 S * 12/2015 Hyakutake D8/382

(Continued)

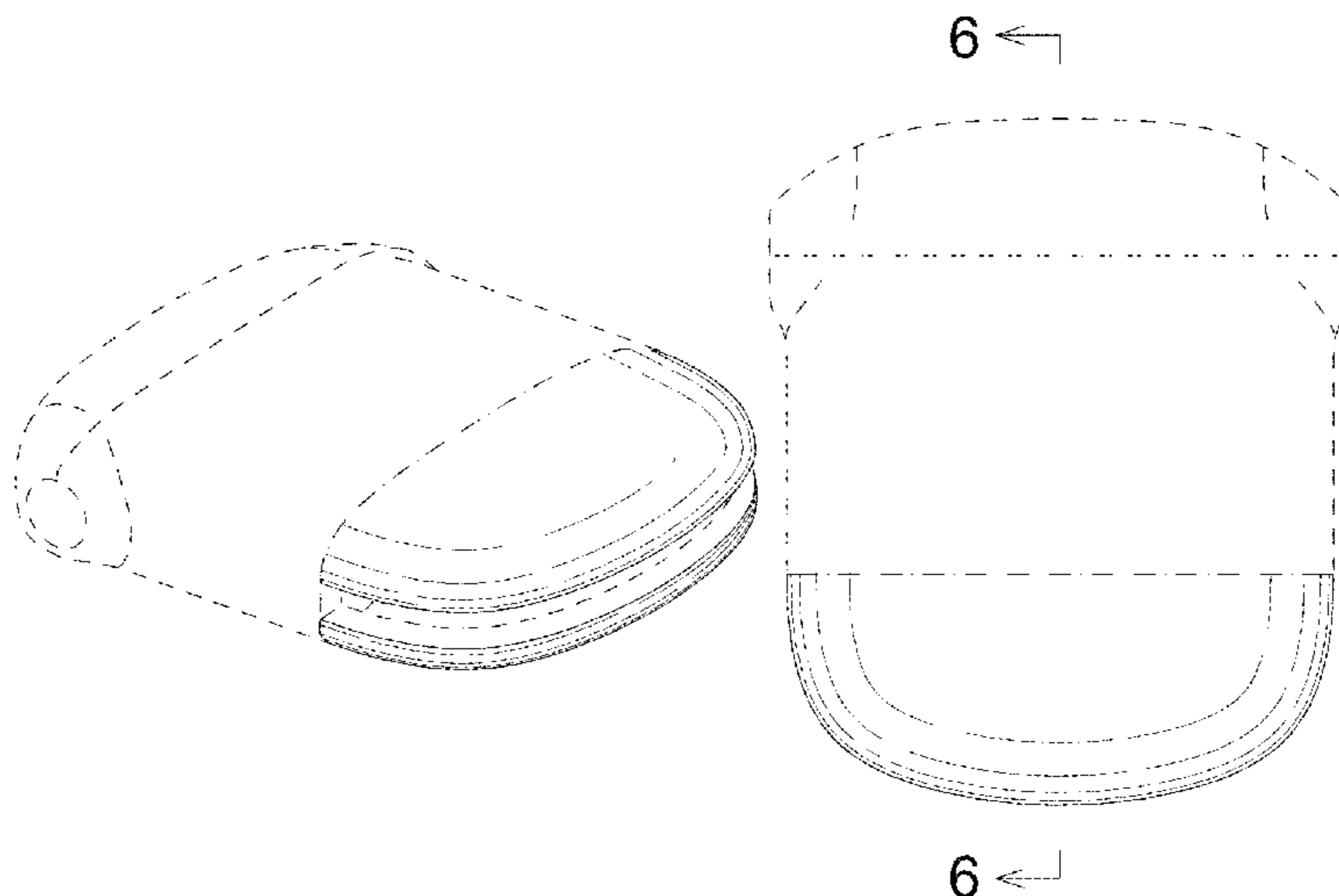
(57) **CLAIM**

The ornamental design for a mobile solar panel connector, as shown and described.

DESCRIPTION

FIG. 1 is a perspective view of a mobile solar panel connector showing our new design;
FIG. 2 is a front view thereof, a rear view being a mirror image of FIG. 2;
FIG. 3 is a top view thereof;
FIG. 4 is a right side view thereof, a left side view being a mirror image of FIG. 4;
FIG. 5 is a bottom view thereof;
FIG. 6 is a sectional view taken along line 6-6- in FIG. 2; and,
FIG. 7 is a front view of the mobile solar panel connector of FIGS. 1-6, shown in an exemplary environmental view in use.
The dash-dash broken lines in the drawings illustrate portions of the mobile solar panel connector that form no part of the claimed design. The dash-dot-dash broken lines are used to show the boundary between unclaimed and claimed subject matter, and thus form no part of the claimed design.

1 Claim, 7 Drawing Sheets



(56)

References Cited

U.S. PATENT DOCUMENTS

9,347,225 B2 * 5/2016 Glancy E04F 13/0842
D768,471 S * 10/2016 Marquez D8/382
D790,492 S * 6/2017 Chaivoraporn D13/184
D830,322 S * 10/2018 Yaprak D13/184
D840,217 S * 2/2019 Veilleux D8/394
D851,484 S * 6/2019 Veilleux D8/394
D851,485 S * 6/2019 Veilleux D8/394
D854,918 S * 7/2019 Fitz D8/383
D867,117 S * 11/2019 McGrath D8/382
D871,191 S * 12/2019 Mogensen D8/356
D887,824 S * 6/2020 Heindl D8/382
D892,106 S * 8/2020 Ji D14/250

OTHER PUBLICATIONS

Jul. 31, 2018, Notification issued by the Japan Patent Office in the corresponding Japanese Design Application No. 2017-026803.

* cited by examiner

FIG. 1

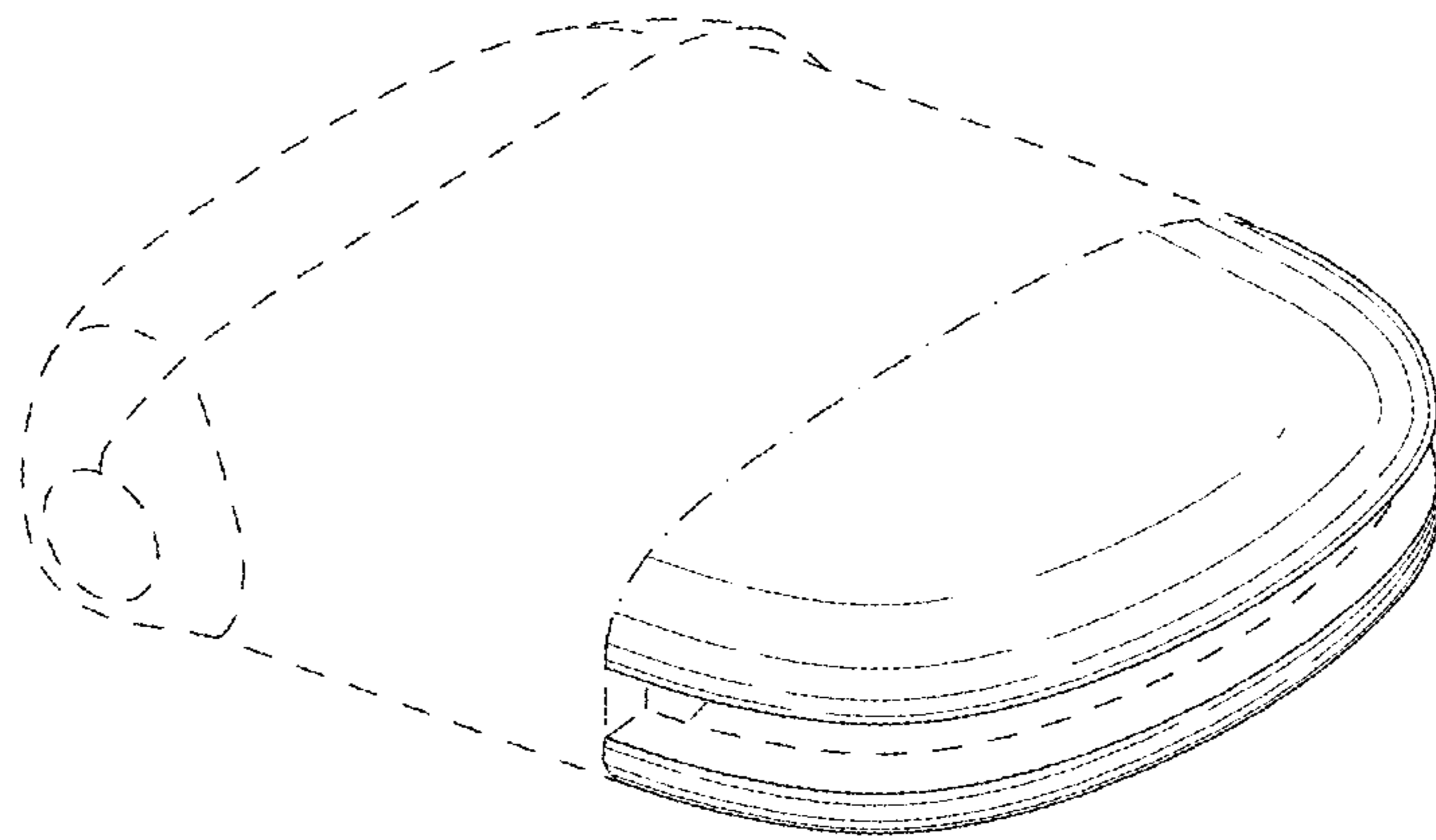


FIG. 2

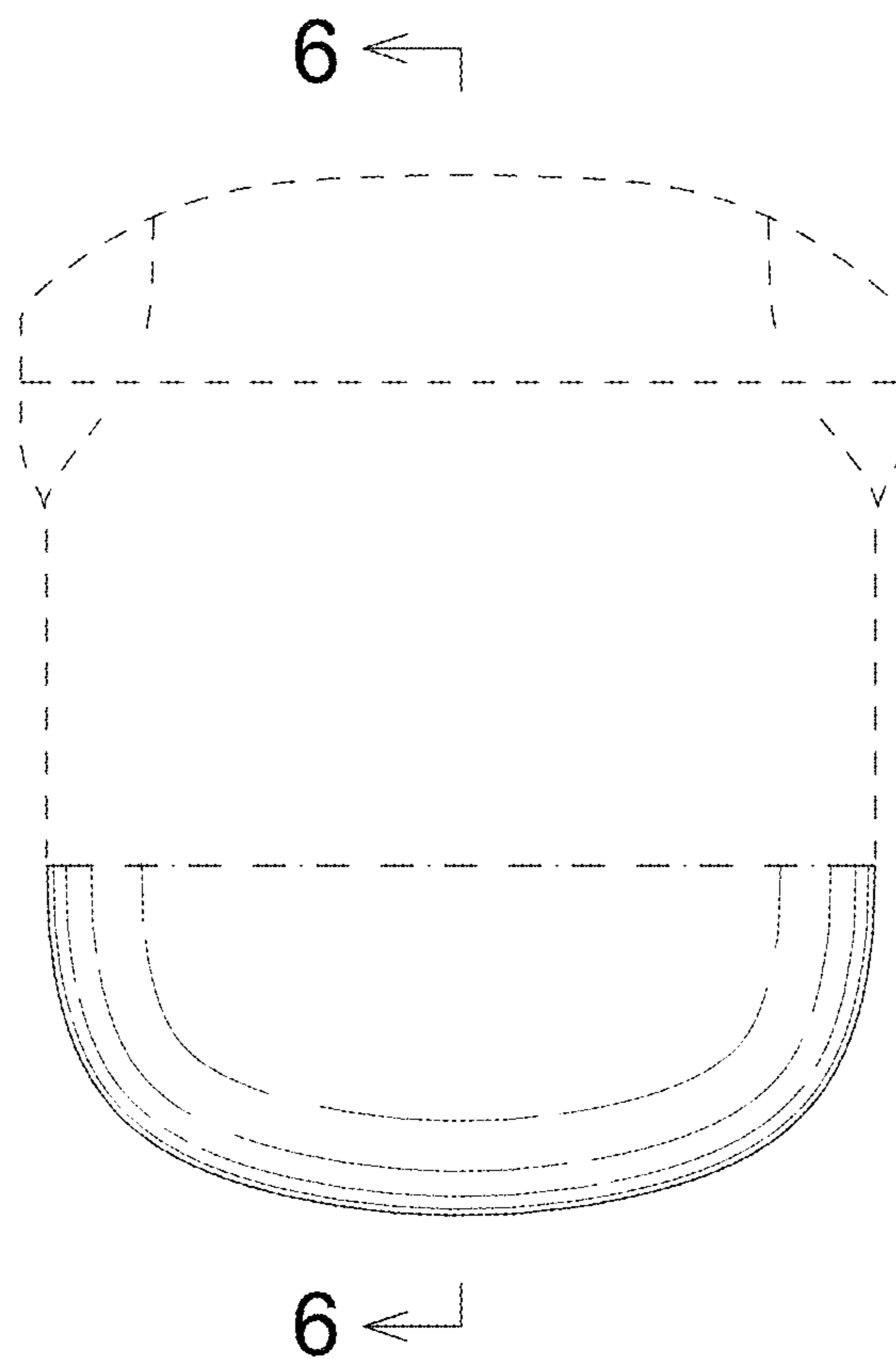


FIG. 3



FIG. 4

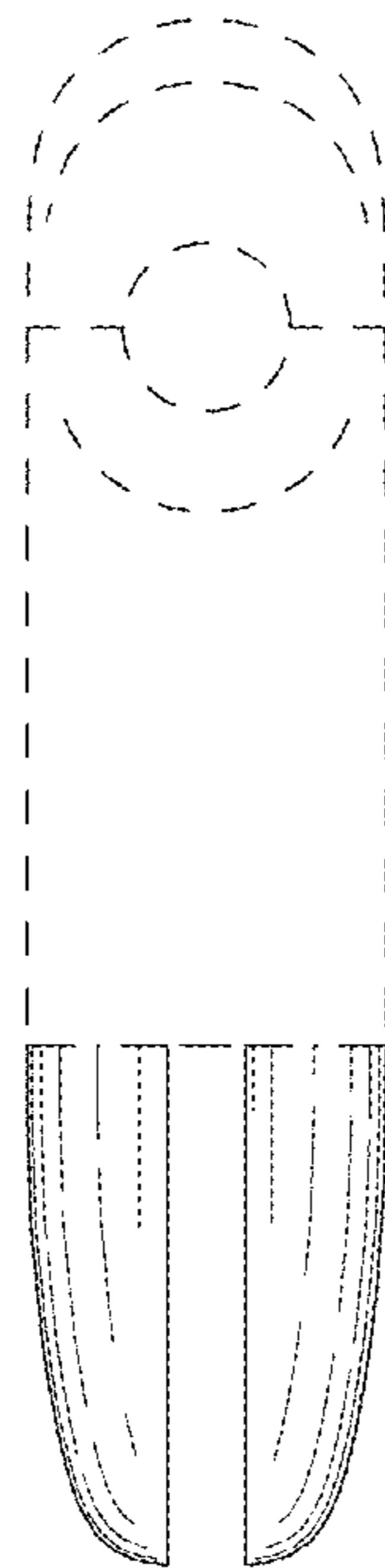


FIG. 5

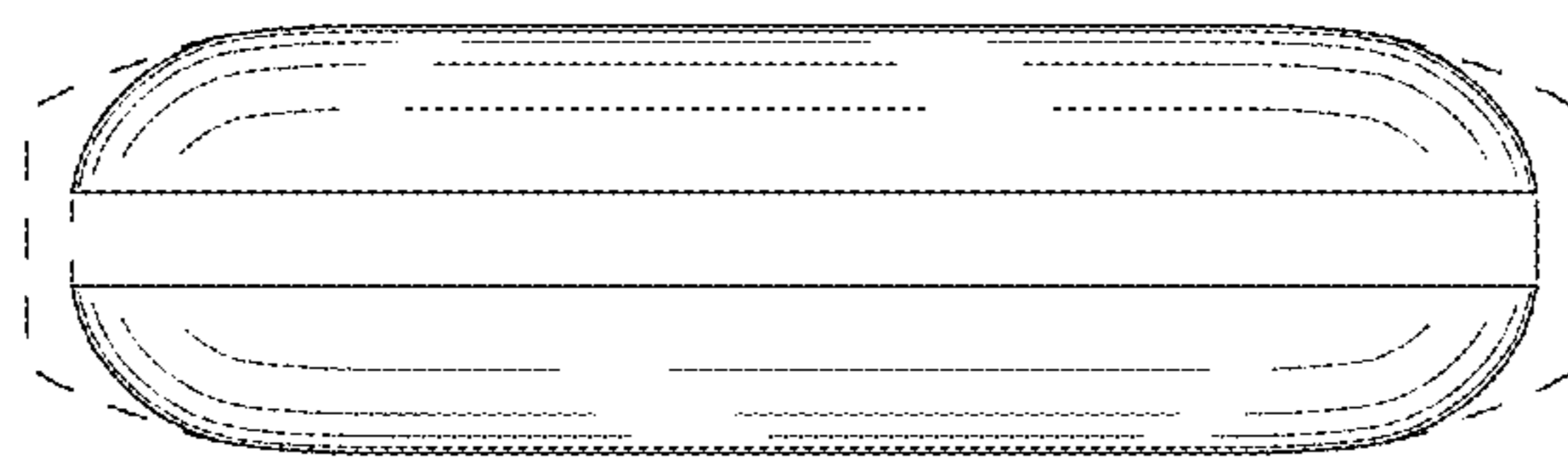


FIG. 6

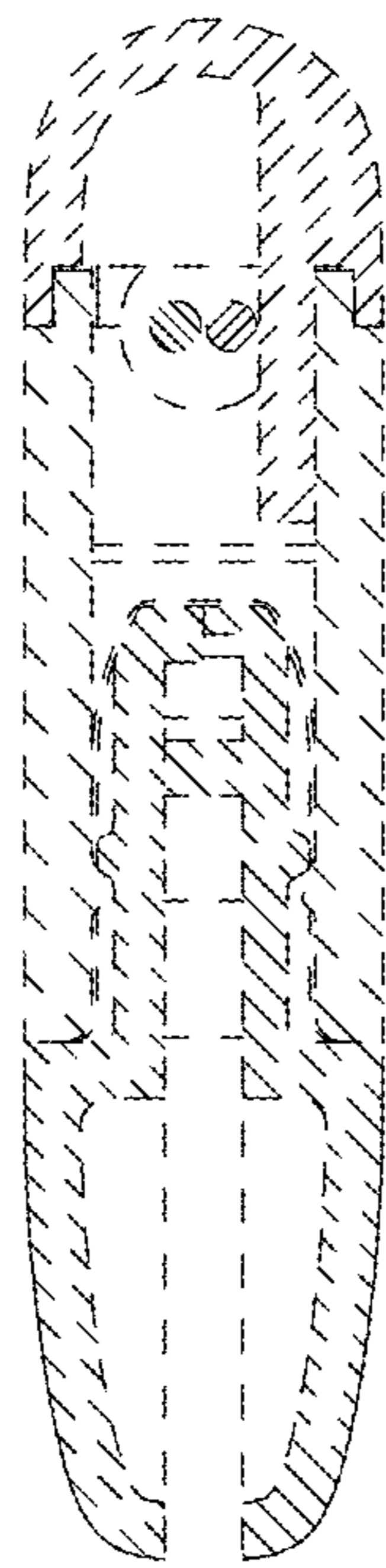


FIG. 7

