



US00D905622S

(12) **United States Design Patent** (10) **Patent No.:** **US D905,622 S**
Simonini et al. (45) **Date of Patent:** **** Dec. 22, 2020**

(54) **RETREAD TIRE TREAD**

D788,025 S * 5/2017 Lundgren D12/588
D791,688 S * 7/2017 Trowbridge D12/548
D793,952 S * 8/2017 Hayashi D12/579

(71) Applicant: **Compagnie Generale des Etablissements Michelin, Clermont-Ferrand (FR)**

(Continued)

(72) Inventors: **Shannon Simonini, Greenville, SC (US); Luz Restrepo, Greenville, SC (US)**

OTHER PUBLICATIONS

Michelin North America, Inc., XT-1 AT Pre-Mold Retread, web site URL michelintruck.com/tires-and-retreads/selector#!/retread-info/xt=1-at-pm, copyright 2018 Michelin North America, Inc., Greenville, South Carolina, USA, 2 pages, retrieved Mar. 8, 2018.

(73) Assignee: **Compagnie Generale des Etablissements Michelin, Clermont-Ferrand (FR)**

Primary Examiner — Michelle E. Wilson

Assistant Examiner — Clese Moore, Jr.

(**) Term: **15 Years**

(74) *Attorney, Agent, or Firm* — Neal P. Pierotti

(21) Appl. No.: **29/638,680**

(57) **CLAIM**

The ornamental design for a retread tire tread, as shown and described.

(22) Filed: **Feb. 28, 2018**

(51) **LOC (12) Cl.** **12-15**

(52) **U.S. Cl.**
USPC **D12/605**

DESCRIPTION

(58) **Field of Classification Search**
USPC D12/600–605, 553, 558, 587, 566, 588,
D12/530, 521, 531, 574, 579
CPC B29D 30/54; B29D 30/56; B60C 11/02;
B60C 11/00; B60C 1/0016
See application file for complete search history.

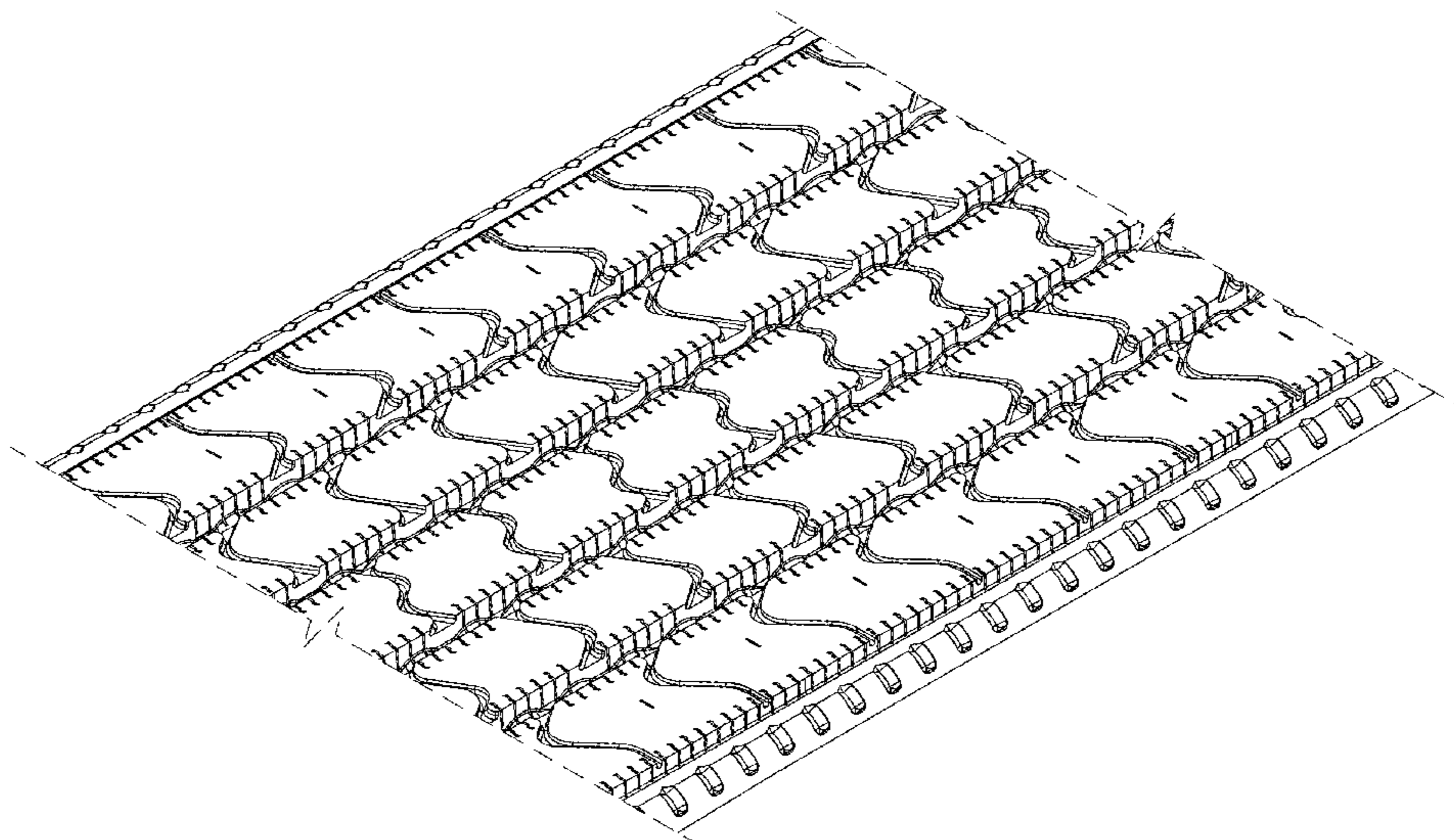
FIG. 1 is a fragmentary perspective view of the retread tire tread illustrated in FIG. 7, showing our new design. It being understood that the tread is repeated throughout the length of the retread tire tread;
FIG. 2 is a fragmentary top plan view of FIG. 1;
FIG. 3 is a front elevation of FIG. 1, with the opposite back side elevation being a mirror image thereto;
FIG. 4 is a right hand side elevation view of FIG. 1;
FIG. 5 is a back plan view of FIG. 1;
FIG. 6 is a front elevation cross-sectional view of the retread tire tread of FIG. 7;
FIG. 7 is a side elevation view, with the opposite elevation being a mirror image thereto;
FIG. 8 is a perspective view of a retread tire tread of FIG. 1 in which only a single pitch is shown;
FIG. 9 is a top plan view FIG. 8; and,
FIG. 10 is a cross-sectional view taken along 10-10 in FIG. 9.

(56) **References Cited**

U.S. PATENT DOCUMENTS

D676,803 S * 2/2013 Bournat D12/598
D686,138 S * 7/2013 Chartier D12/521
D735,640 S * 8/2015 Vandaele D12/553
D735,646 S * 8/2015 Hair, Jr. D12/594
D758,954 S * 6/2016 Albouy D12/518
D766,168 S * 9/2016 Baranger D12/583
D772,797 S * 11/2016 Ono D12/595
D777,649 S * 1/2017 Ropars D12/553
D777,654 S * 1/2017 Lundgren D12/600
D778,232 S * 2/2017 Fabre D12/602
D780,675 S * 3/2017 Di-Mauro D12/588
D785,555 S * 5/2017 Bacher D12/588

1 Claim, 7 Drawing Sheets



(56)

References Cited

U.S. PATENT DOCUMENTS

D798,227	S	*	9/2017	Scheifele	D12/604
D798,801	S	*	10/2017	Doui	D12/521
D800,049	S	*	10/2017	Abinal	D12/521
D801,259	S	*	10/2017	Fernandes	D12/564
D802,520	S	*	11/2017	Abinal	D12/521
D802,521	S	*	11/2017	Bonnamour	D12/530
D810,667	S	*	2/2018	Fabre	D12/550
D815,023	S	*	4/2018	Castellini	D12/604
D815,024	S	*	4/2018	Flynn	D12/604
D818,940	S	*	5/2018	Parr	D12/604
D818,941	S	*	5/2018	Parr	D12/604
D822,589	S	*	7/2018	Flynn	D12/604
D826,141	S	*	8/2018	Castellini	D12/604
D827,561	S	*	9/2018	Nukushina	D12/604
D848,939	S	*	5/2019	Marella	D12/604

* cited by examiner

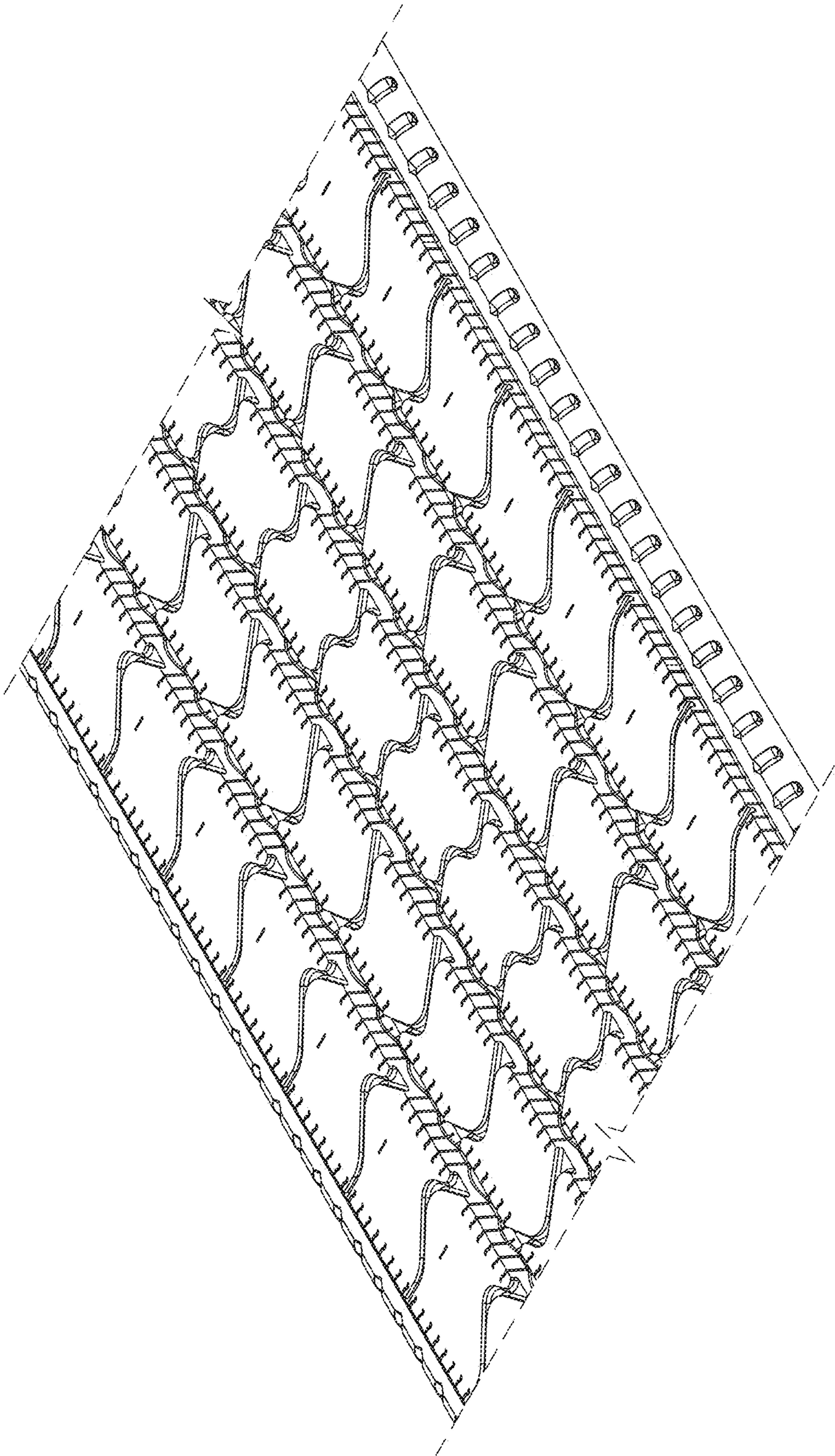


FIG. 1

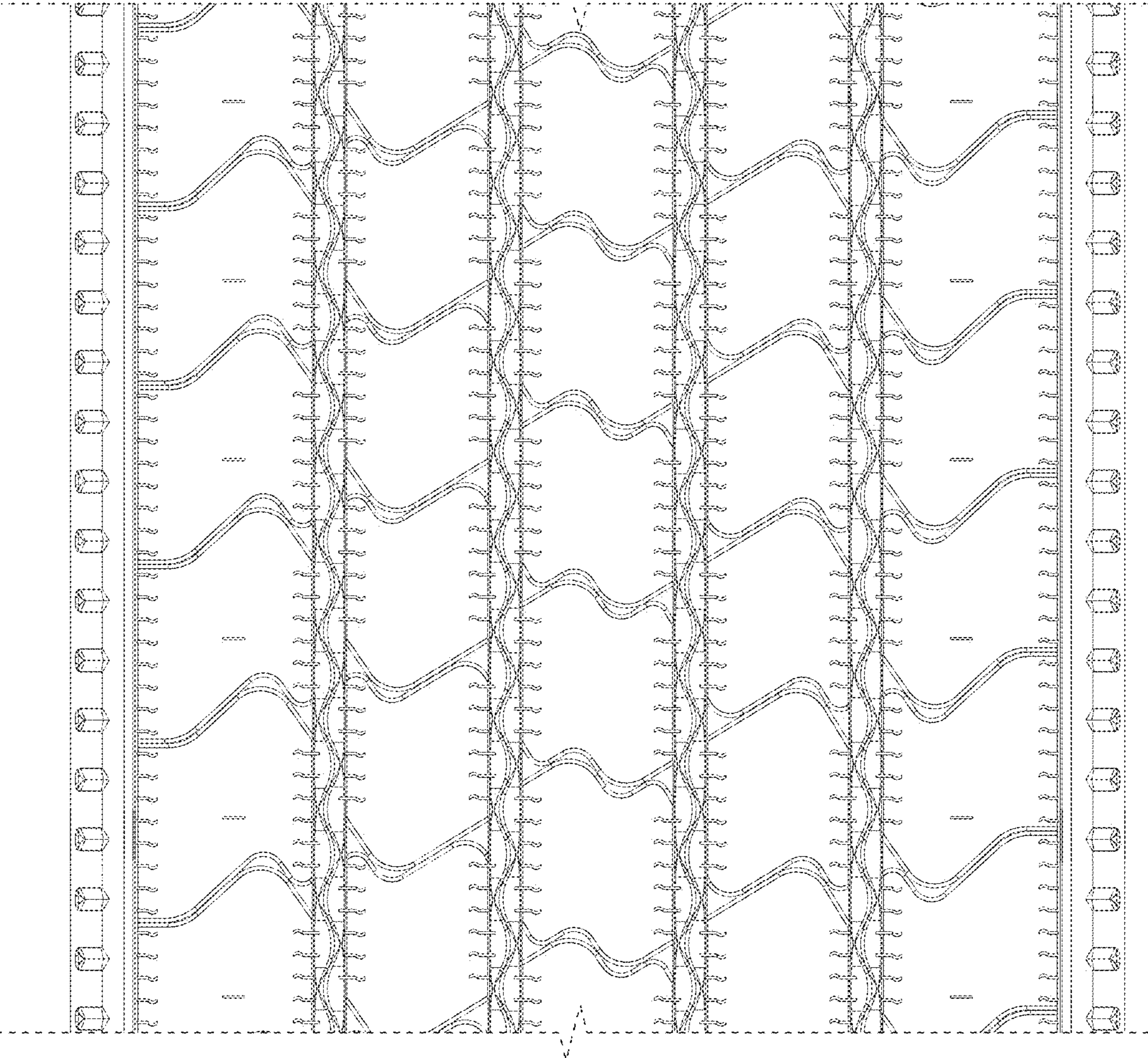


FIG. 2

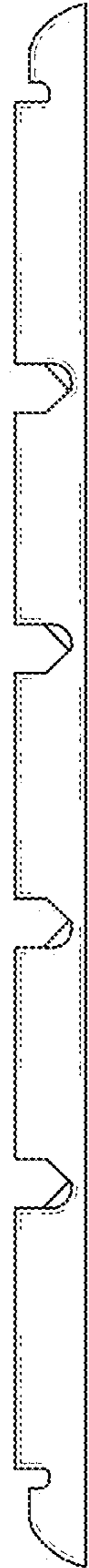


FIG. 3

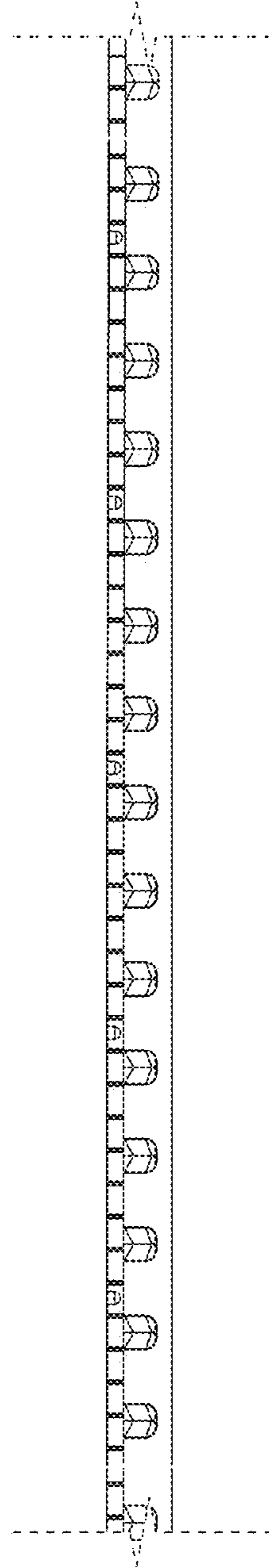


FIG. 4

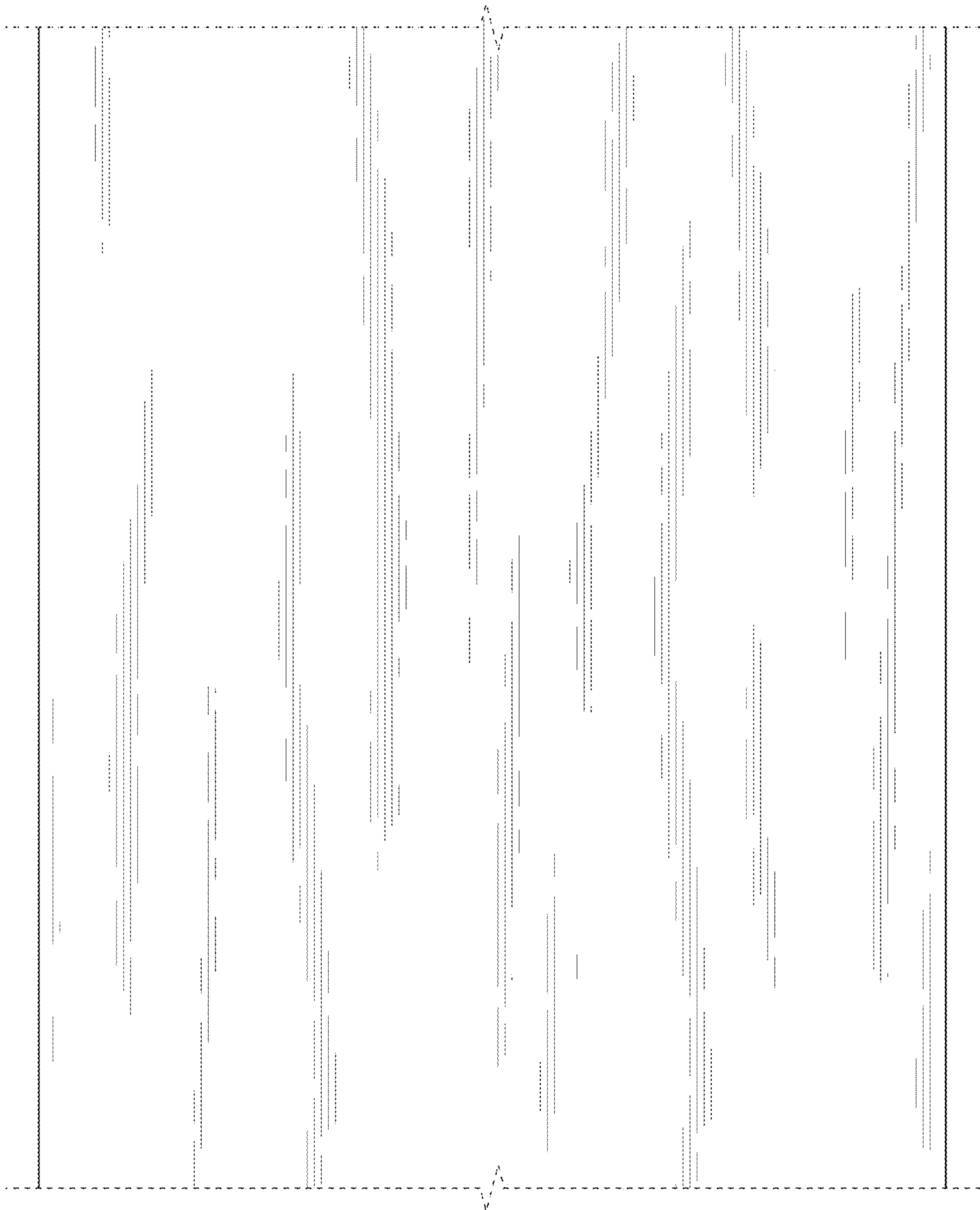


FIG. 5

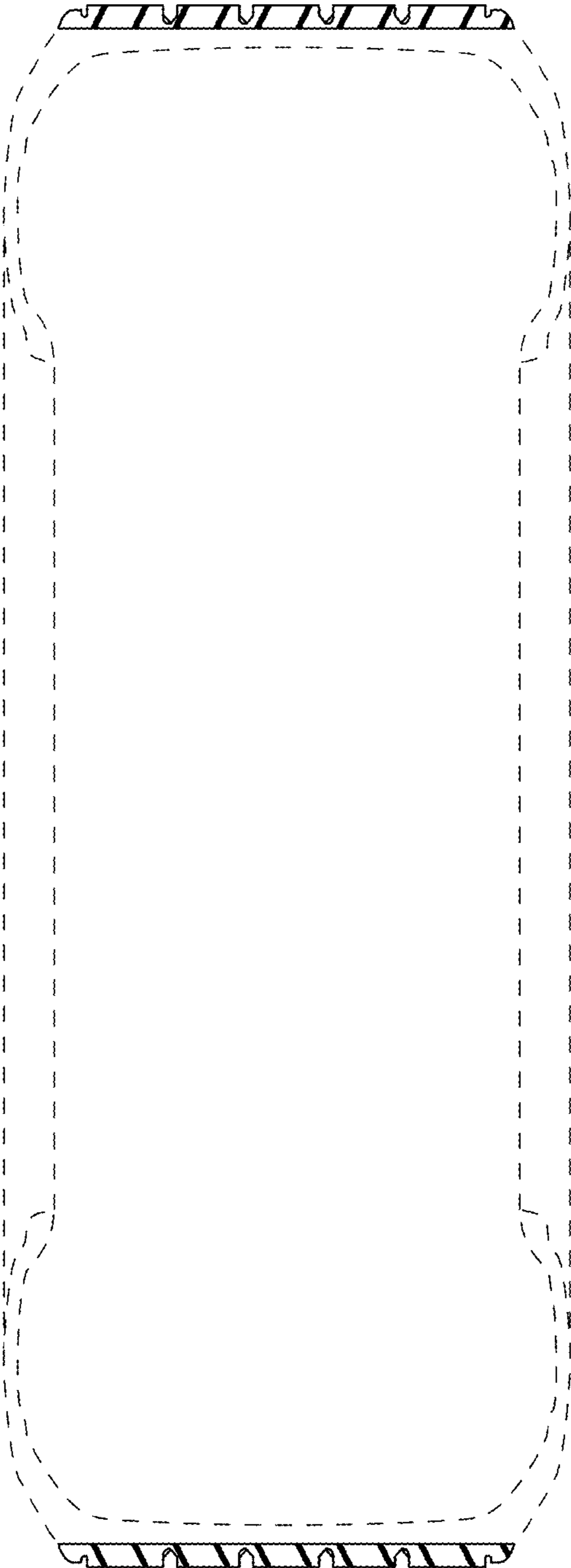


FIG. 6

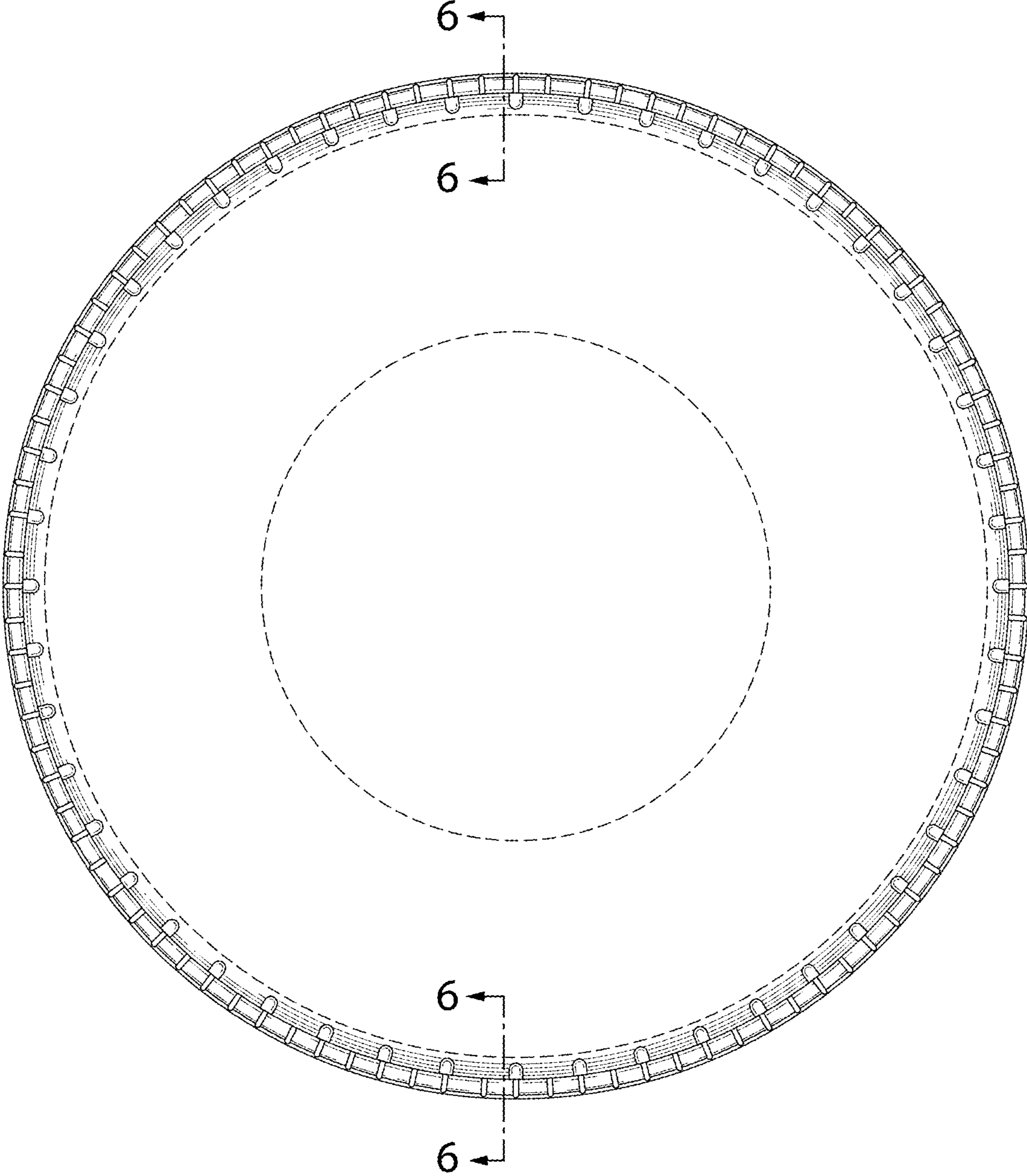


FIG. 7

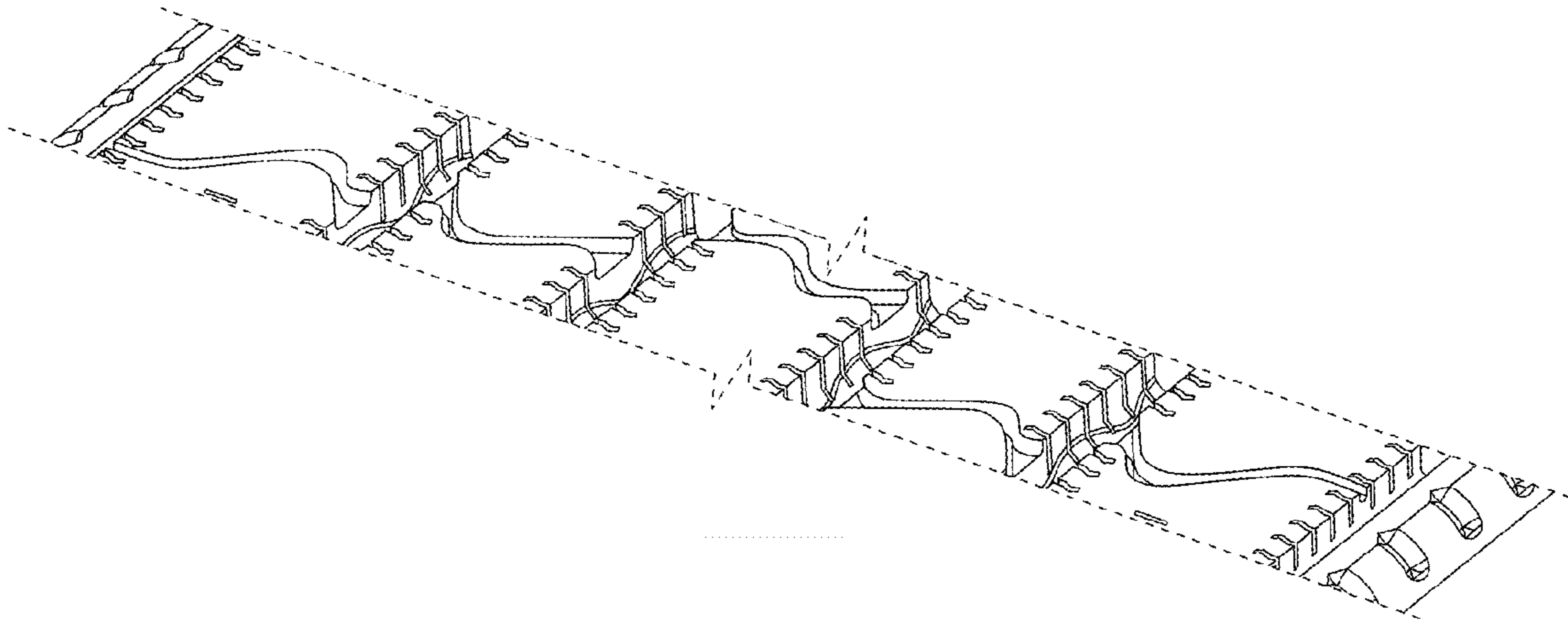


FIG. 8

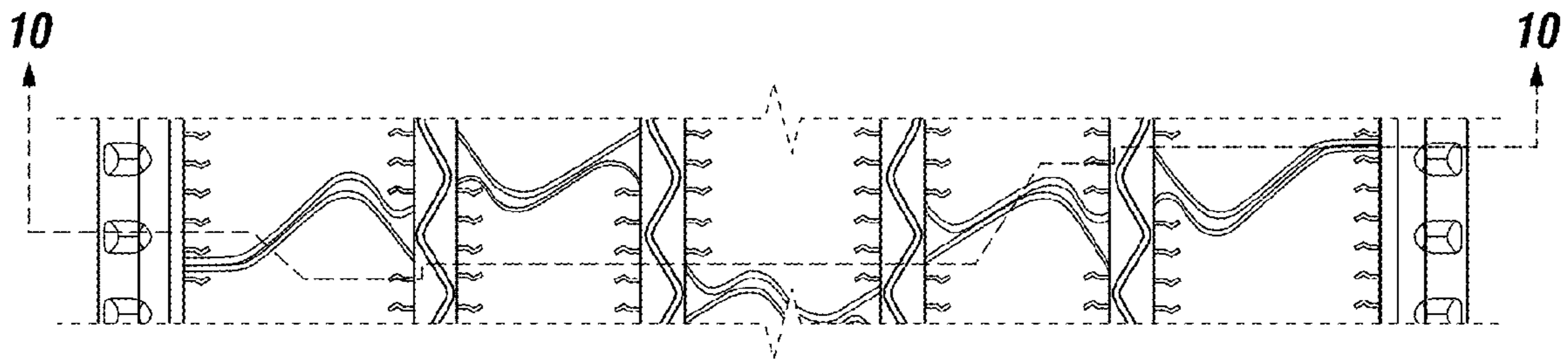


FIG. 9

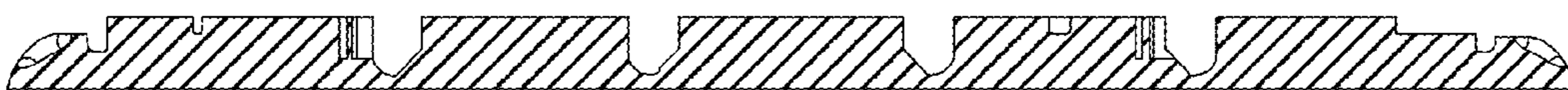


FIG. 10