



US00D905616S

(12) **United States Design Patent** (10) **Patent No.:** **US D905,616 S**
Badillo (45) **Date of Patent:** **** Dec. 22, 2020**

(54) VEHICLE RACK	3,158,301 A	11/1964	Hedgepeth
	3,215,323 A	11/1965	Bonitt
(71) Applicant: Intelligent Designs 2000 Corp., Aurora, CO (US)	3,260,929 A	7/1966	Hedgepeth
	3,330,454 A	7/1967	Bott
	3,531,006 A	9/1970	Farchmin
(72) Inventor: Paul Badillo, Littleton, CO (US)	3,765,713 A	10/1973	Suitt
	3,902,642 A	9/1975	McNeece
	4,336,897 A	6/1982	Luck
(73) Assignee: INTELLIGENT DESIGNS 2000 CORP., Aurora, CO (US)	4,350,471 A	9/1982	Lehman
	4,817,834 A	4/1989	Weiler
	4,948,024 A	8/1990	Warner et al.
(**) Term: 15 Years	5,171,083 A	12/1992	Rich
	5,381,939 A	1/1995	Tippets
(21) Appl. No.: 29/631,524	D359,134 S	6/1995	Toews
	5,560,525 A	10/1996	Grohmann et al.
(22) Filed: Dec. 29, 2017	D406,557 S	3/1999	Bentley

(Continued)

Related U.S. Application Data

(62) Division of application No. 29/534,977, filed on Aug. 3, 2015, now Pat. No. Des. 811,311.

(51) **LOC (12) Cl.** **12-16**

(52) **U.S. Cl.**
USPC **D12/412**

(58) **Field of Classification Search**
USPC D12/412, 406, 413, 414, 414.1; D6/552;
D3/304-306
CPC B60R 9/04; B60R 9/048; B60R 9/045
See application file for complete search history.

OTHER PUBLICATIONS

U.S. Appl. No. 29/705,114, filed Sep. 10, 2019, Badillo.
(Continued)

Primary Examiner — Katrina A Betton
(74) *Attorney, Agent, or Firm* — Sheridan Ross P.C.

(57) **CLAIM**

The ornamental design for a vehicle rack, as shown and described.

(56) **References Cited**

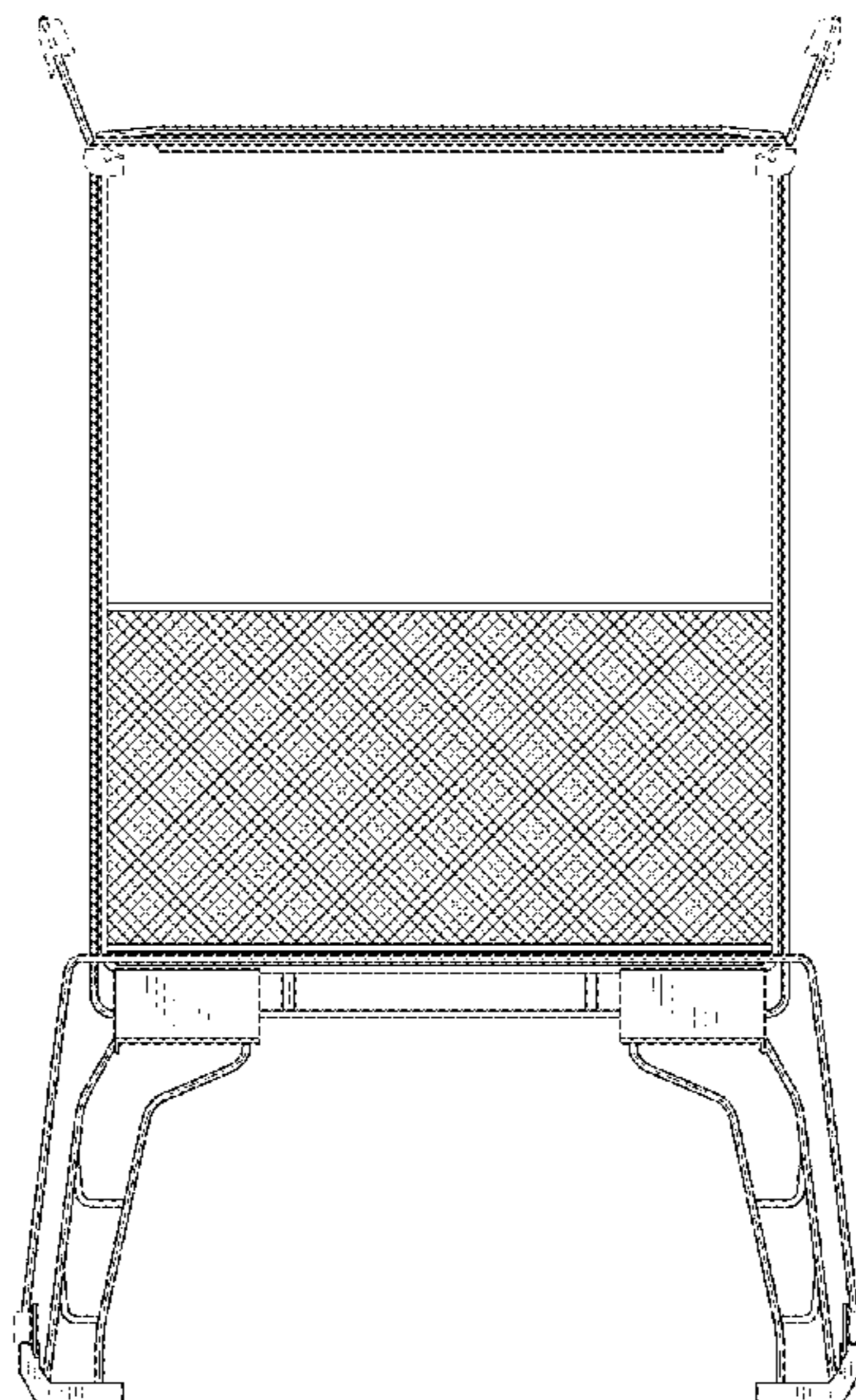
U.S. PATENT DOCUMENTS

704,436 A	7/1902	Cluff
744,113 A	11/1903	Rye
1,564,776 A	12/1925	Green
1,606,954 A	11/1926	Moen et al.
2,387,779 A	10/1945	Strauss
2,492,841 A	12/1949	Burkey
2,521,815 A	9/1950	Will
2,663,472 A	12/1953	Belgau
2,784,888 A	3/1957	Lecanu-Deschamps
2,800,264 A	7/1957	McFadyen
2,967,635 A	1/1961	Barnett

DESCRIPTION

FIG. 1 is a perspective view of a vehicle rack;
FIG. 2 is a front elevation view thereof;
FIG. 3 is a rear elevation view thereof;
FIG. 4 is a right elevation view thereof;
FIG. 5 is a left elevation view thereof;
FIG. 6 is a top plan view thereof; and,
FIG. 7 is a bottom plan view thereof.
The broken lines depict unclaimed environmental subject matter and do not form any part of the claimed design.

1 Claim, 7 Drawing Sheets



(56)

References Cited

OTHER PUBLICATIONS

U.S. PATENT DOCUMENTS

D413,562 S 9/1999 Van Dusen et al.
 6,003,633 A 12/1999 Rolson
 6,015,074 A 1/2000 Snavely et al.
 D422,553 S 4/2000 VonDuyke
 6,116,378 A 9/2000 Barrow
 D434,364 S 11/2000 Bauer et al.
 6,152,339 A 11/2000 Kreisler
 D434,718 S 12/2000 Kreisler
 D435,510 S 12/2000 Quidort
 6,179,180 B1 1/2001 Walker et al.
 D442,289 S 5/2001 Ziaylek et al.
 6,425,508 B1 7/2002 Cole et al.
 D463,358 S 9/2002 Thomas
 D470,451 S 2/2003 Bushart et al.
 6,561,397 B1 5/2003 Bauer et al.
 6,581,813 B2 6/2003 Bove et al.
 D477,562 S 7/2003 McCoy et al.
 6,604,606 B1 8/2003 McDougal et al.
 D479,884 S 9/2003 Berryman
 D481,003 S 10/2003 Bauer et al.
 D490,163 S 5/2004 Thurston
 6,739,349 B2 5/2004 Kastenschmid et al.
 6,755,332 B2 6/2004 Crane et al.
 D508,015 S 8/2005 Badillo
 D512,783 S 12/2005 Badillo
 D520,938 S 5/2006 Badillo
 7,055,454 B1 6/2006 Whiting et al.
 D537,404 S 2/2007 Bauer et al.
 7,226,266 B2 6/2007 Henderson et al.
 D547,752 S 7/2007 Lee
 7,249,927 B2 7/2007 Wooten et al.
 D549,838 S 8/2007 Badillo
 D558,123 S 12/2007 Murillo
 D578,952 S 10/2008 Badillo
 D603,321 S 11/2009 Kramer
 D621,328 S 8/2010 Sistare et al.
 D624,005 S 9/2010 Winner et al.
 D638,333 S 5/2011 Freeman
 8,496,146 B2 7/2013 Badillo
 D765,577 S 9/2016 Kmita et al.
 D772,783 S 11/2016 Schleef
 D793,946 S 8/2017 Badillo
 D793,947 S 8/2017 Badillo
 D807,276 S 1/2018 Aden
 D809,997 S 2/2018 Conner
 D811,986 S 3/2018 Torres
 D856,262 S * 8/2019 Marankie D12/412
 D856,900 S 8/2019 Baumann
 D859,284 S * 9/2019 Badillo D12/412
 D866,449 S 11/2019 Walker
 D877,041 S 3/2020 Moctezuma
 D879,013 S 3/2020 Connellan et al.
 D881,110 S 4/2020 Herndon
 10,611,311 B1 * 4/2020 Chervu B60R 9/052
 D883,182 S * 5/2020 Fonnesbeck D12/412
 D886,017 S 6/2020 Heinemann
 2005/0082326 A1 4/2005 Badillo
 2005/0092796 A1 5/2005 Essig
 2005/0095102 A1 5/2005 Watson
 2011/0101056 A1 5/2011 Barkey
 2013/0299538 A1 11/2013 Badillo
 2016/0362053 A1 12/2016 Sautter et al.
 2018/0022285 A1 1/2018 Karuppaswamy
 2018/0056884 A1 3/2018 Ziraldo
 2018/0086276 A1 3/2018 Isoda
 2018/0201200 A1 7/2018 Wang et al.
 2018/0229665 A1 8/2018 Schactman et al.
 2018/0236946 A1 8/2018 Shen
 2020/0055457 A1 * 2/2020 Mansour B60R 9/045
 2020/0062188 A1 * 2/2020 Boyle B60R 9/045
 2020/0114809 A1 * 4/2020 Chen B60R 9/04
 2020/0114829 A1 * 4/2020 Chen B60Q 1/2611
 2020/0130483 A1 * 4/2020 Vickery B60J 7/057
 2020/0132194 A1 * 4/2020 Wang F16J 15/06

U.S. Appl. No. 29/534,977, filed Aug. 3, 2015, Badillo.
 U.S. Appl. No. 29/535,865, filed Aug. 11, 2015, Badillo.
 U.S. Appl. No. 29/535,957, filed Aug. 12, 2015, Badillo.
 U.S. Appl. No. 29/542,039, filed Oct. 9, 2015, Badillo.
 U.S. Appl. No. 29/543,871, filed Oct. 29, 2015, Badillo.
 U.S. Appl. No. 29/610,895, filed Jul. 17, 2017, Badillo.
 Advertisement: Yakima Spare Tire Carrier, Cargo Basket for Roof Racks, available at http://www.rackoutfitters.com/catalog/yakima_spare_tire_carrier_1836640.htm, dated Jul. 7, 2003, 1 page.
 Advertisement: Thule 840-Playpen Basket, Cargo Basket for Roof Racks, available at http://www.rackoutfitters.com/catalog/thule_840_-playpen_basket_1885452.htm, dated Jul. 7, 2003, 1 page.
 Advertisement: SURCO, Products, Inc., "Basket rack—it just flat out carries what you need to take," available at http://www.everythingsuv.com/surco_safari_roof_racks-esuv.asp, dated Jul. 7, 2003, 10 pages.
 Advertisement: KargoMaster, Kargo Master Safari Racks, available at http://www.kargomaster.com/jeep23.asp?rack=sport_jeep, Jul. 7, 2007, 1 page.
 Advertisement: KargoMaster, The Bushman Steel Rack, available at <http://www.kargomaster.com/bushman.asp?type=Jeep>, dated Jul. 7, 2003, 1 page.
 Advertisement: KargoMaster, Seregenti Telescoping Steel Rack, available at <http://www.kargomaster.com/seregenti.asp?type=Jeep>, dated Jul. 7, 2003, 1 page.
 Advertisement: Bauer Vehicle Gear Roof Racks, Roof Storage, Bike Storage & Pet Barriers from Eve, available at http://www.everythingsuv.com/bvg_products-esuv.asp, Jul. 7, 2003, 2 pages.
 Advertisement: Manik Original Off-Road Equipment, Hummer Rough Terrain Package New Product Release "Tilt-Forward 1-Piece Front Bar," 2002, 1 page.
 Advertisement: Manik Original Off-Road Equipment, Hummer Rough Terrain Package New Product Release "Combination Tube Step Rocker Bar," 2002, 1 page.
 Advertisement: Congo Cage Jeep Rack, available at <http://www.kargomaster.com/item.asp?id=62>, printed Apr. 17, 2009, 13 pages.
 Product Literature entitled, "921—Dave's Rack 921-12X," Olympic 4x4, date unknown, 10 pages.
 Advertisement: 921—Daves Rack, Olympic 4x4 Products for over 60 years, available at <http://olympic4X4products.com/utility-racks/921-daves-rack>, printed Jan. 14, 2011, 3 pages.
 "Installation Guide: BR-JPTJ2D-1-0 BajaRack Jeep TJ 2 Doors," BajaRack Adventure Equipment, 4 page, first sold 2013.
 "BR-JPK-Series Installation Instructions," BajaRack Adventure Equipment, 5 pages, first sold 2013.
 "Full Length 4th Gen Rack," Whitson Metalworks, 2015, retrieved from <http://web.archive.org/web/20150704141048/http://whitsonmetalworks.com/product/full-length-4th-gen-rack/>, retrieved on Dec. 10, 2015, 5 pages.
 "ID2 Racks," Intelligent Designs 2000 Corp., www.GOBIRacks.com; it is believed that all have been sold for over one year, 27 pages.
 "Installation Guide: BR-JP-JK4D-1-0 BajaRack Jeep JK 4 Doors," BajaRack Adventure Equipment, 6 pages, first sold 2013.
 Official Action for U.S. Appl. No. 29/534,977, dated Apr. 11, 2017 6 pages Restriction Requirement.
 Notice of Allowance for U.S. Appl. No. 29/534,977, dated Oct. 17, 2017 7 pages.
 U.S. Appl. No. 29/681,126, filed Feb. 22, 2019, Badillo.
 U.S. Appl. No. 29/681,145, filed Feb. 22, 2019, Badillo.
 U.S. Appl. No. 29/684,954, filed Mar. 25, 2019, Badillo.
 Notice of Allowance for U.S. Appl. No. 29/610,895, dated Apr. 4, 2019, 6 pages.
 U.S. Appl. No. 29/637,756, filed Feb. 21, 2018, Badillo.
 U.S. Appl. No. 29/637,757, filed Feb. 21, 2018, Badillo.
 Notice of Allowance for U.S. Appl. No. 29/637,756, dated Oct. 4, 2018 7 pages.
 Notice of Allowance for U.S. Appl. No. 29/637,757, dated Oct. 2, 2018 7 pages.
 Notice of Allowance for U.S. Appl. No. 29/681,126, dated Jul. 15, 2020, 8 pages.

(56)

References Cited

OTHER PUBLICATIONS

Official Action for U.S. Appl. No. 29/681,145, dated Jul. 8, 2020, 5 pages.

Notice of Allowance for U.S. Appl. No. 29/705,114, dated Jul. 14, 2020, 8 pages.

Official Action for U.S. Appl. No. 29/684,954, dated Jul. 16, 2020, 6 pages. Restriction Requirement.

Official Action for U.S. Appl. No. 29/717,202, dated Jul. 16, 2020, 6 pages. Restriction Requirement.

* cited by examiner

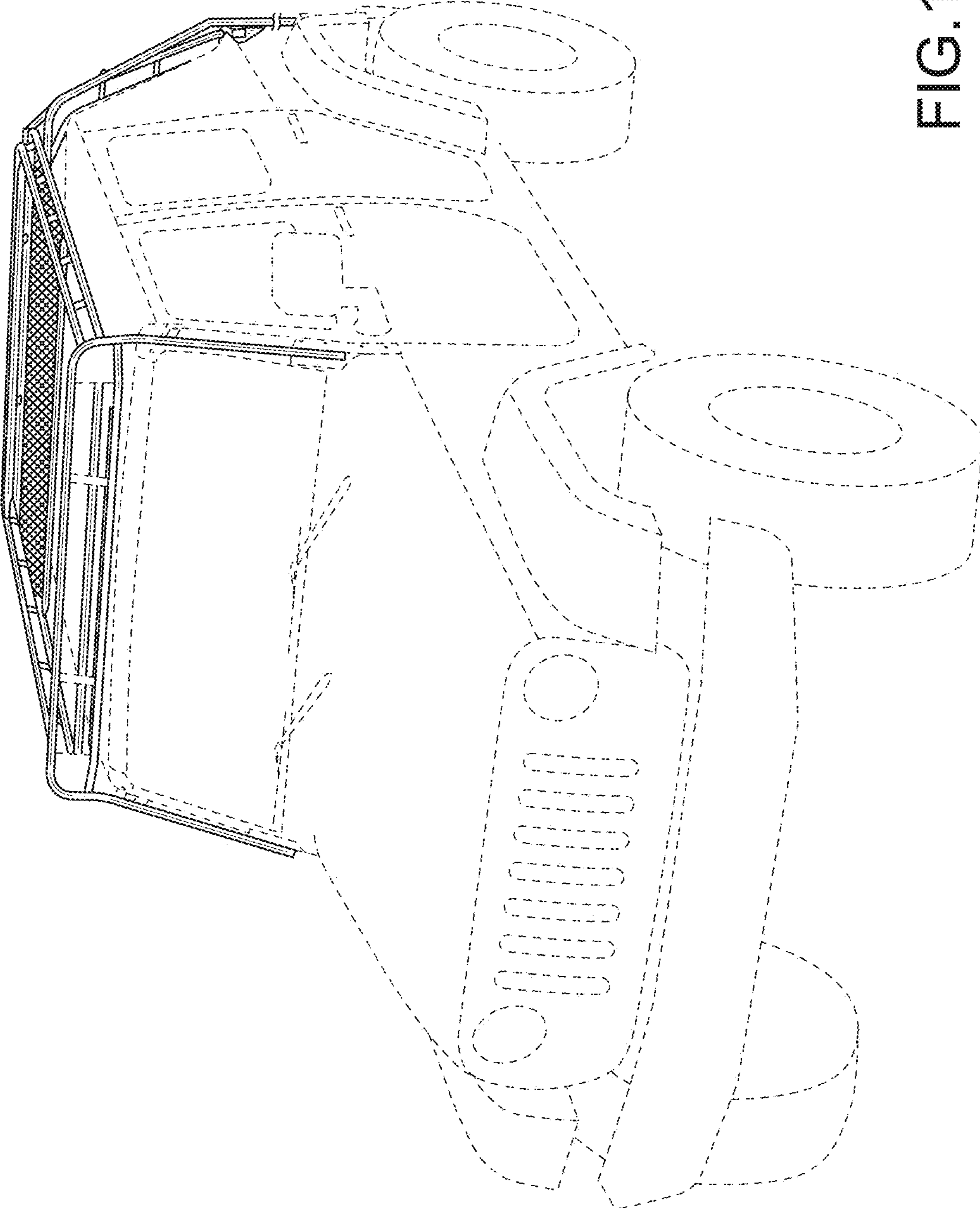


FIG. 1

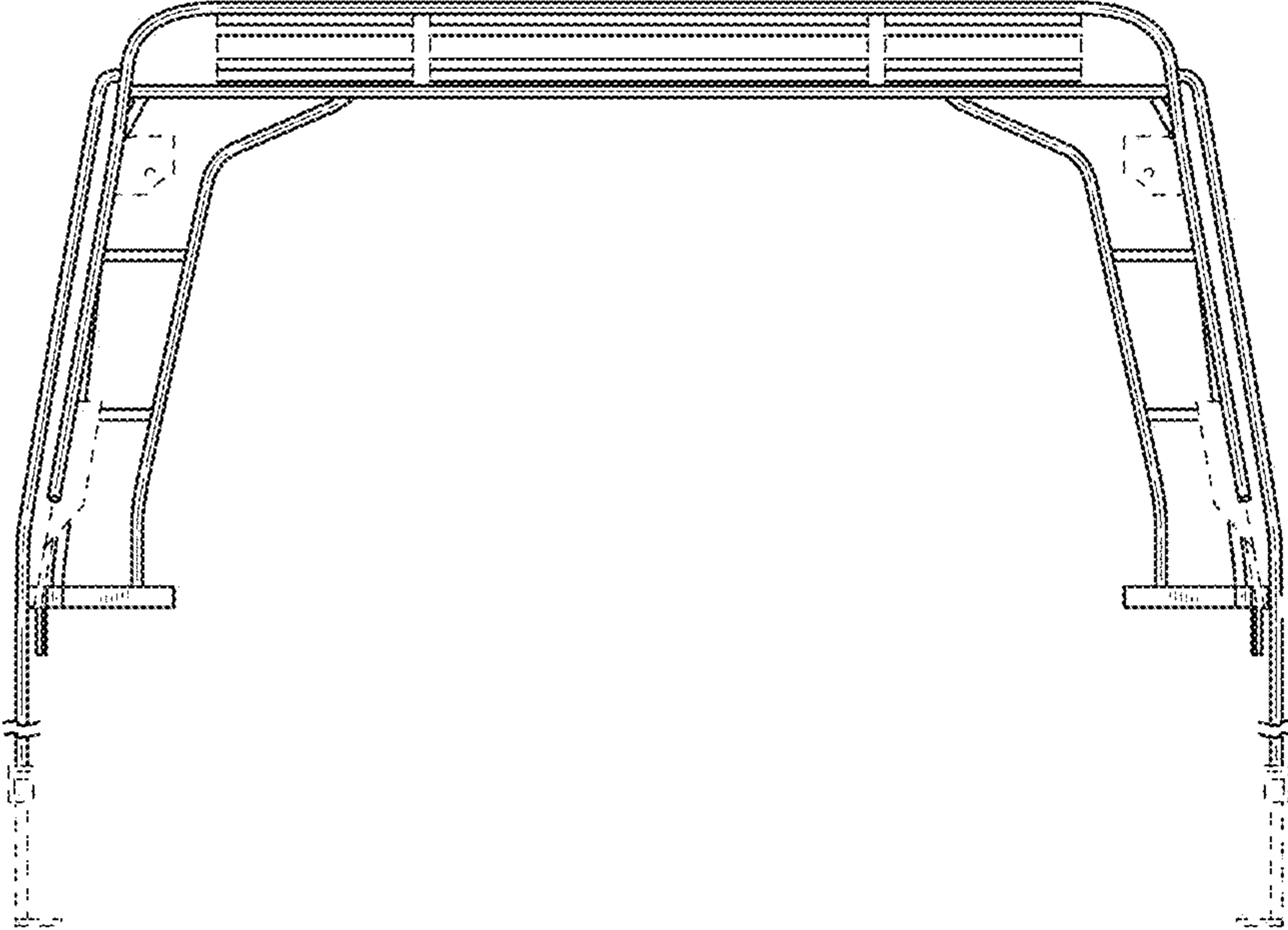


FIG.2

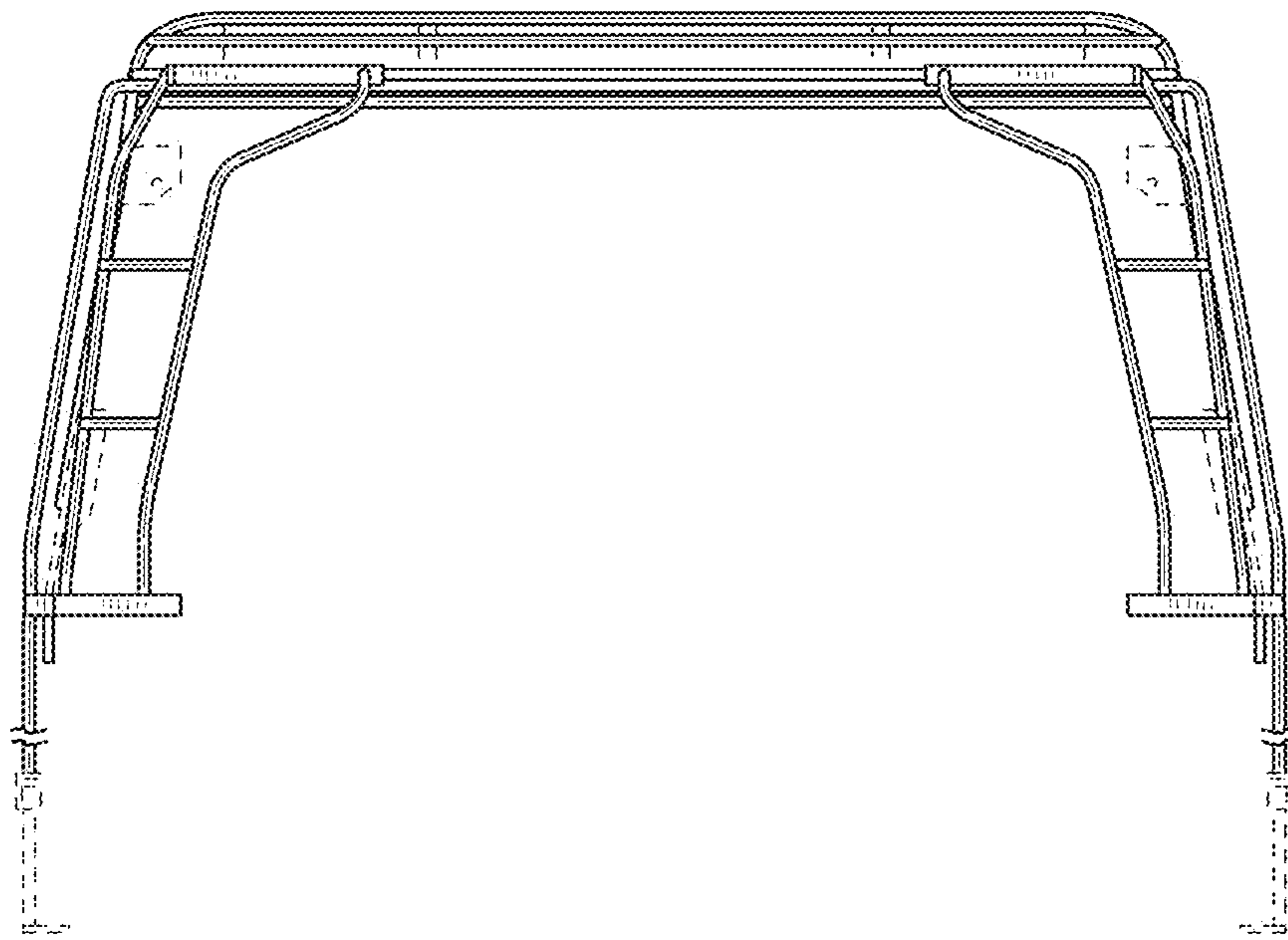


FIG.3

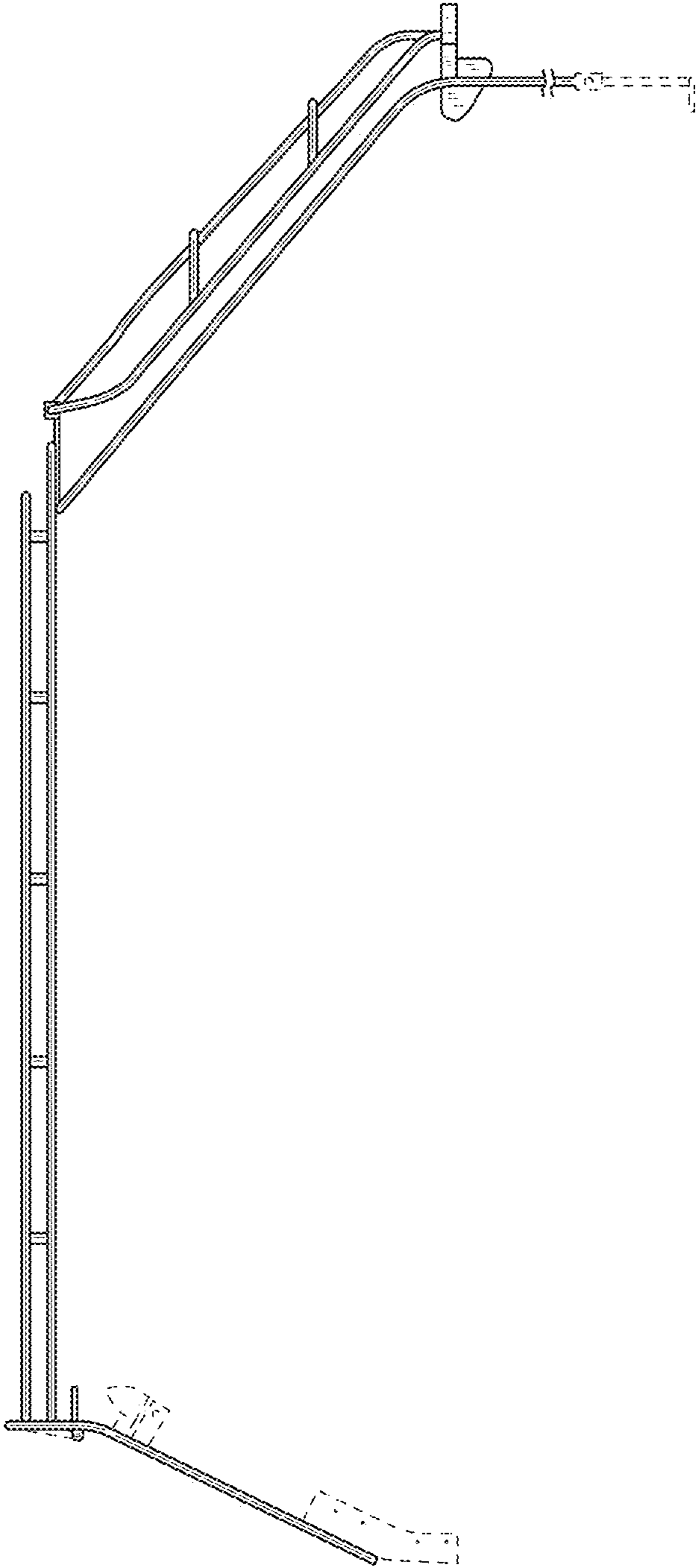


FIG.4

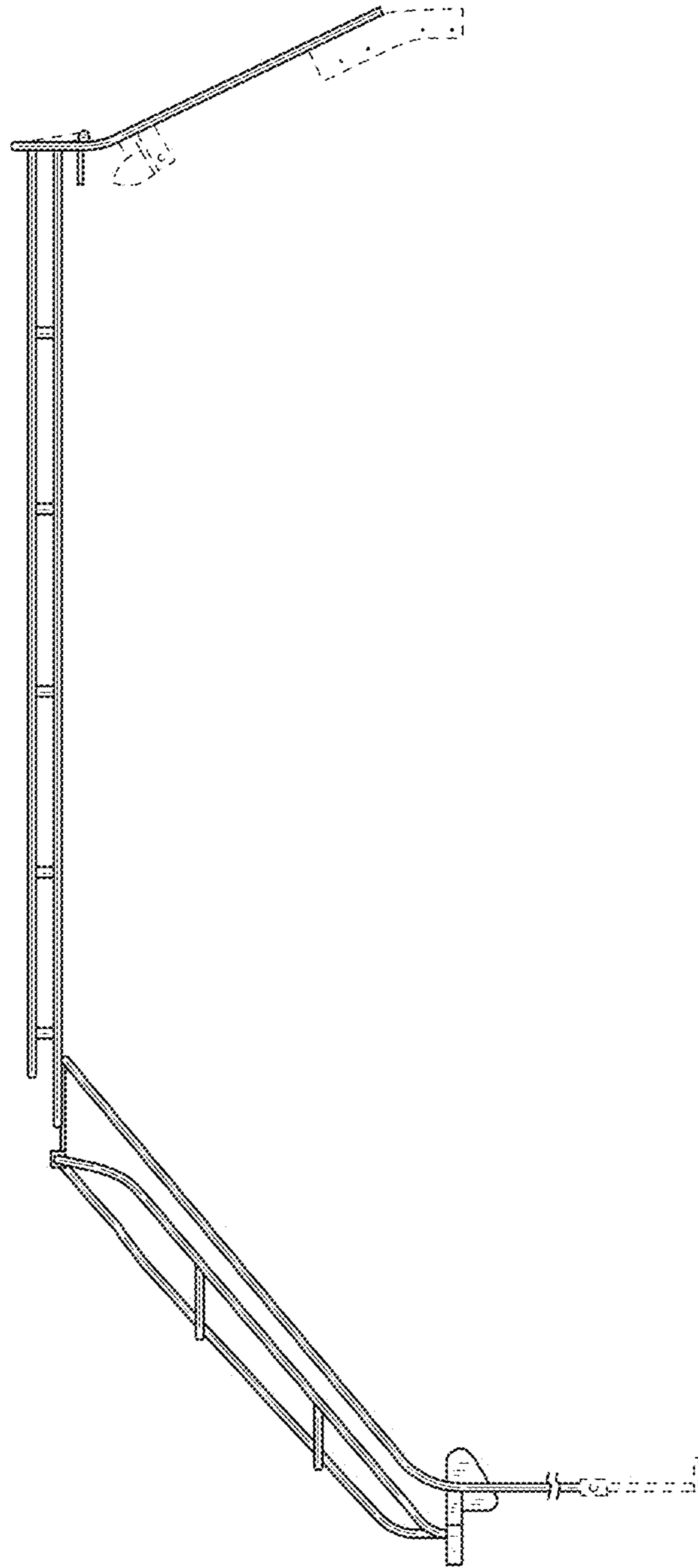


FIG.5

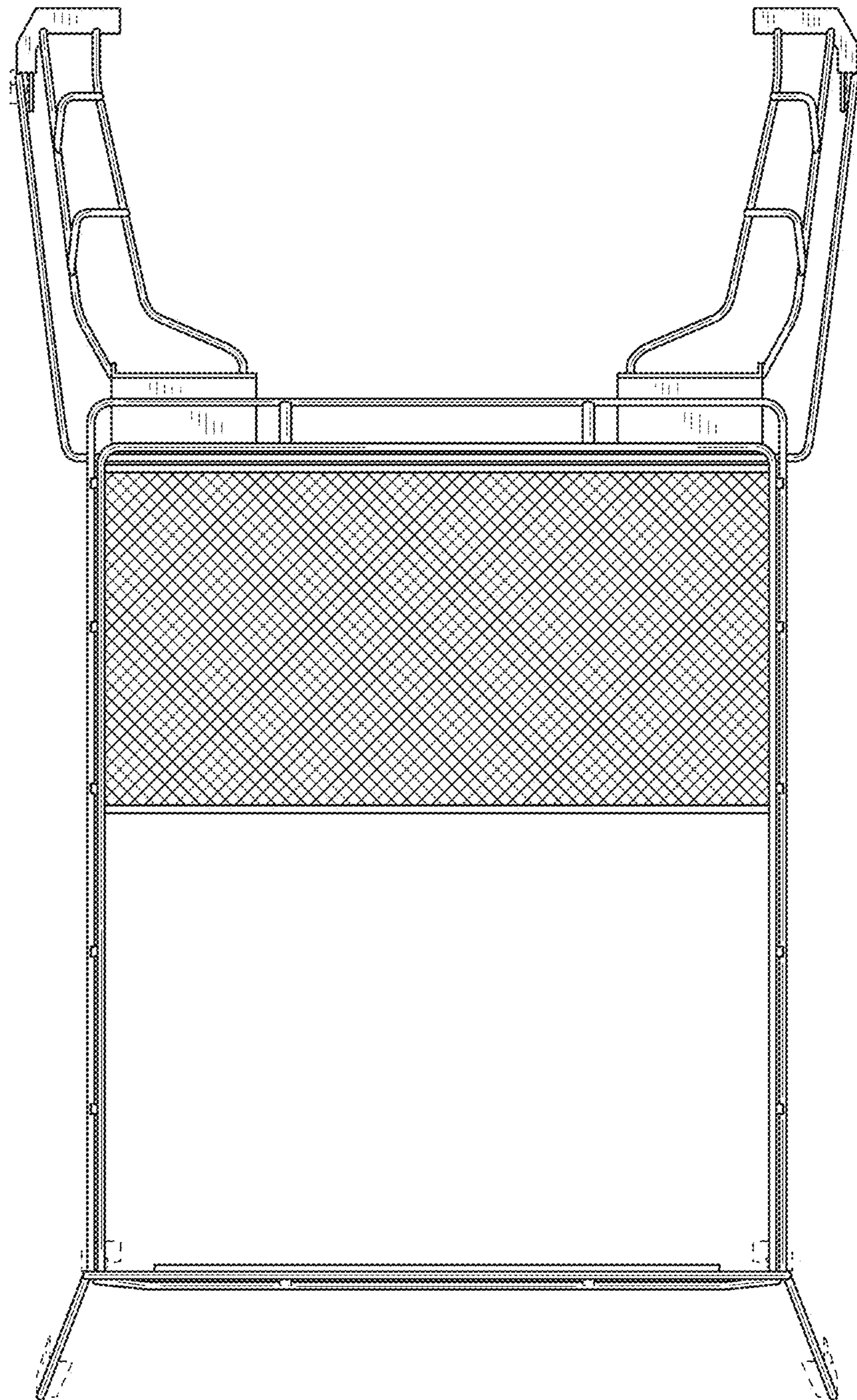


FIG. 6

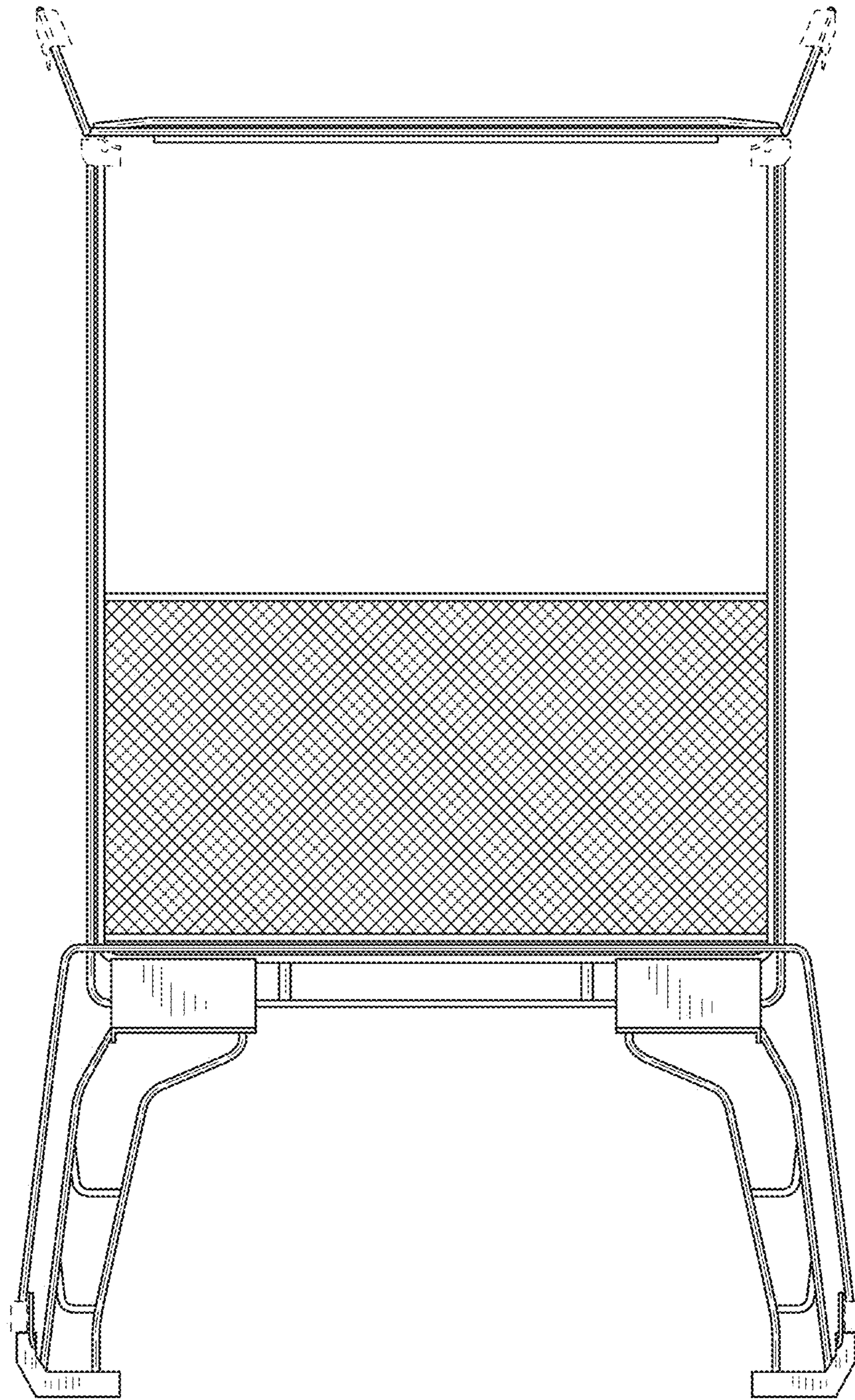


FIG.7