



US00D905615S

(12) **United States Design Patent**
Patrech

(10) **Patent No.:** **US D905,615 S**

(45) **Date of Patent:** **** Dec. 22, 2020**

(54) **CAR COVER**

(71) Applicant: **Sarzia Pty Ltd**, Toronto (AU)

(72) Inventor: **Catherine Patrech**, Mosman (AU)

(73) Assignee: **Sarzia Pty Ltd**, Toronto (AU)

(**) Term: **15 Years**

(21) Appl. No.: **29/682,425**

(22) Filed: **Mar. 5, 2019**

(51) **LOC (12) Cl.** **12-16**

(52) **U.S. Cl.**
USPC **D12/403**

(58) **Field of Classification Search**
USPC D12/401-405; D6/610, 611, 596,
D6/601-603, 615, 617, 621; D7/332,
D7/334-337
CPC B65D 85/68; B65D 31/16; B65D 33/02;
B60R 5/04; B60R 5/045; B60P 7/04
See application file for complete search history.

(56) **References Cited**

U.S. PATENT DOCUMENTS

D337,979 S *	8/1993	Napieraj	D12/403
D345,122 S *	3/1994	Lloyd	D12/221
D355,405 S *	2/1995	Sligh	D12/403
D397,669 S *	9/1998	Komick	D12/403
D694,169 S *	11/2013	Fontanilla	D12/401

2007/0075563 A1*	4/2007	Patrice	B60J 11/00 296/136.01
2008/0174144 A1*	7/2008	Coleman	B60J 11/06 296/136.02
2009/0102230 A1*	4/2009	Pehrson	B60J 11/08 296/136.13
2010/0096052 A1*	4/2010	Graham	B65D 65/02 150/166

* cited by examiner

Primary Examiner — Katrina A Betton

(74) *Attorney, Agent, or Firm* — Eric Karich; Karich & Associates

(57) **CLAIM**

The ornamental design for a car cover, as shown and described.

DESCRIPTION

FIG. 1 is a perspective view of a car cover, showing my new design fitted on a car;
FIG. 2 is a perspective view thereof, without the car;
FIG. 3 is a front elevational view thereof;
FIG. 4 is a rear elevational view thereof;
FIG. 5 is a left side elevational view thereof;
FIG. 6 is a right side elevational view thereof;
FIG. 7 is a top plan view thereof; and,
FIG. 8 is a bottom plan view thereof.
The broken lines shown in the drawings form no part of the claimed design.

1 Claim, 6 Drawing Sheets

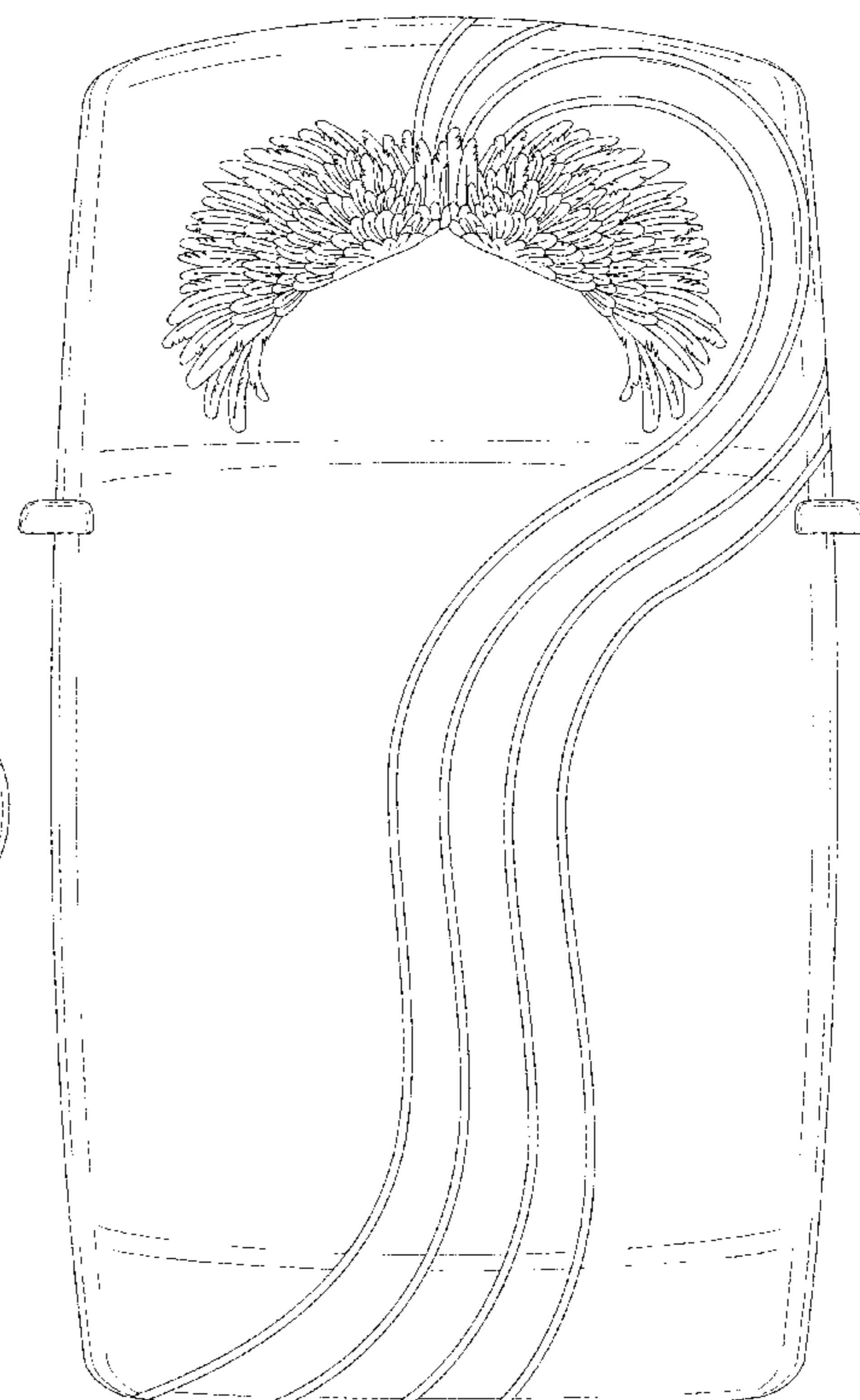
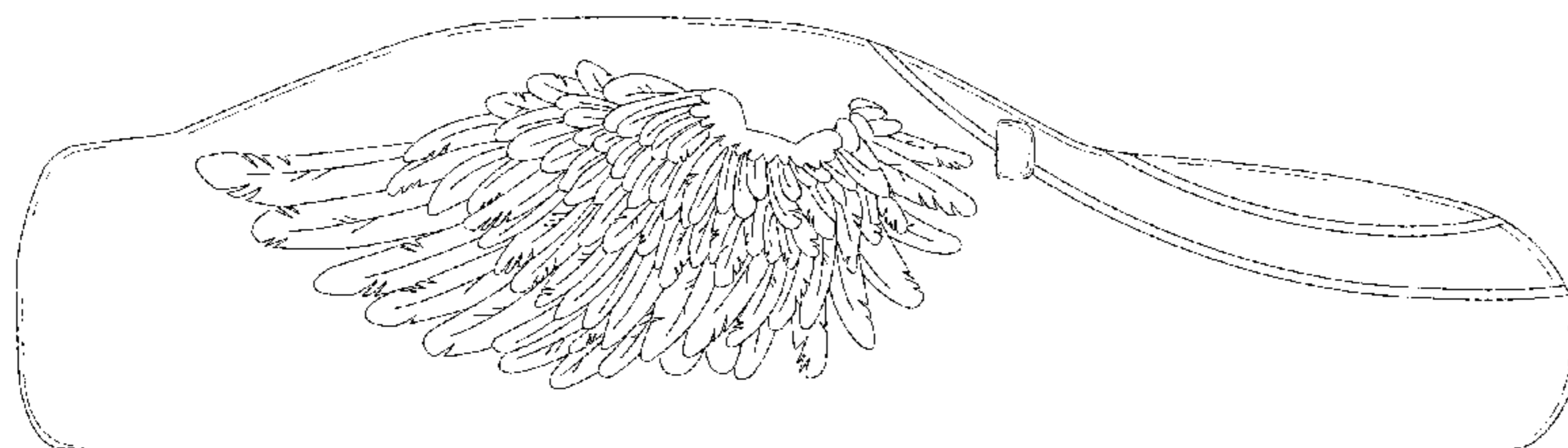




Fig. 1



Fig. 2

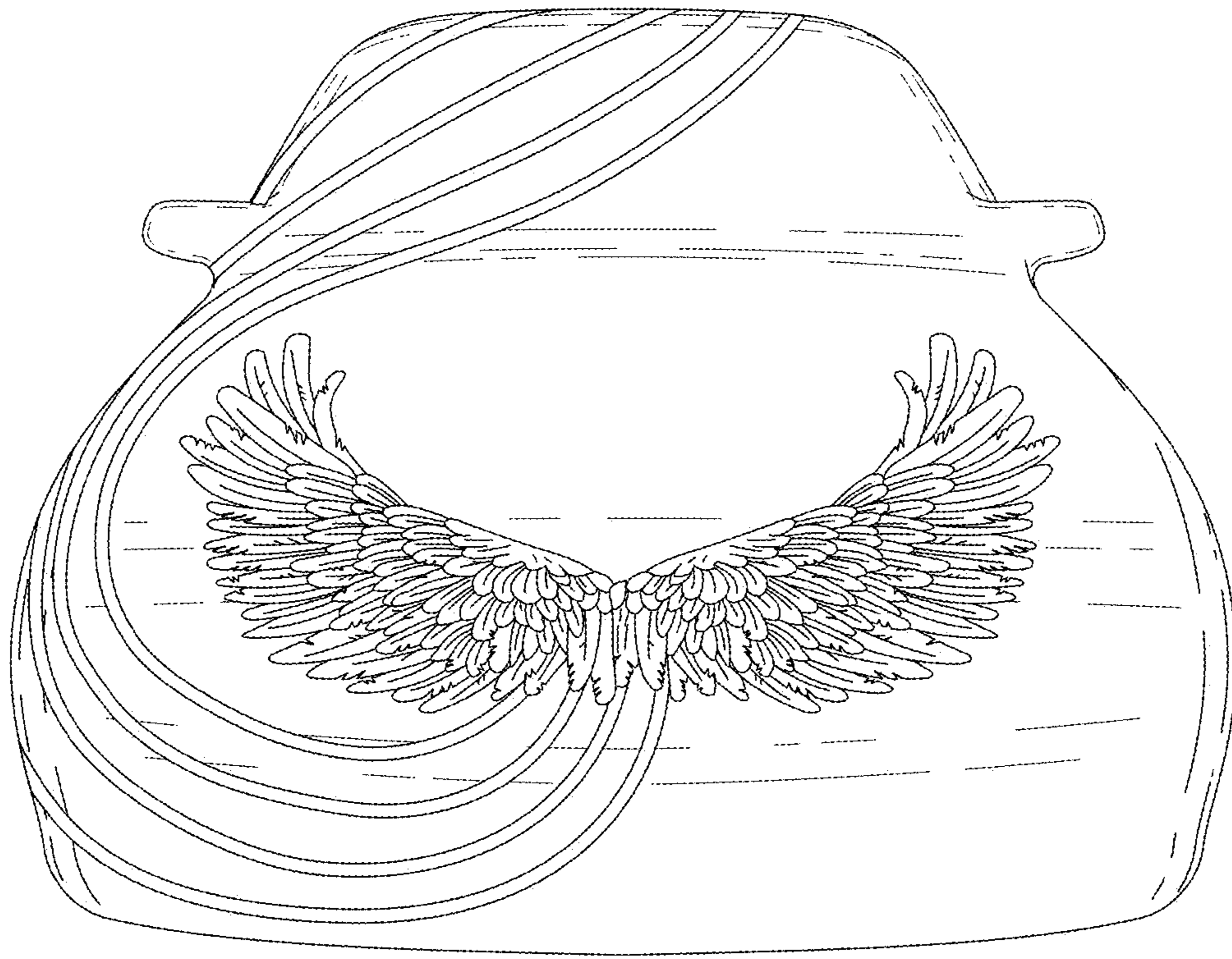


Fig. 3

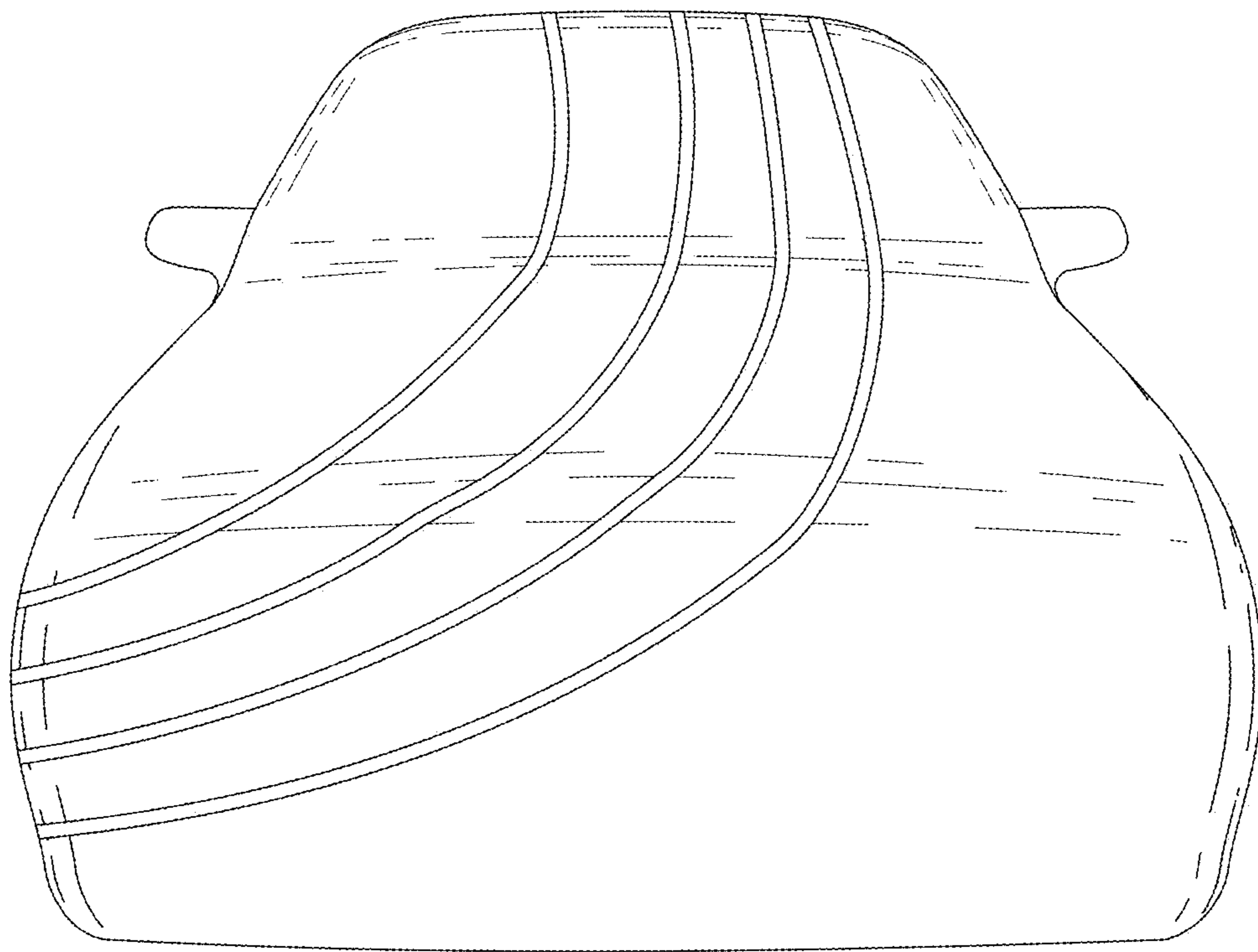


Fig. 4

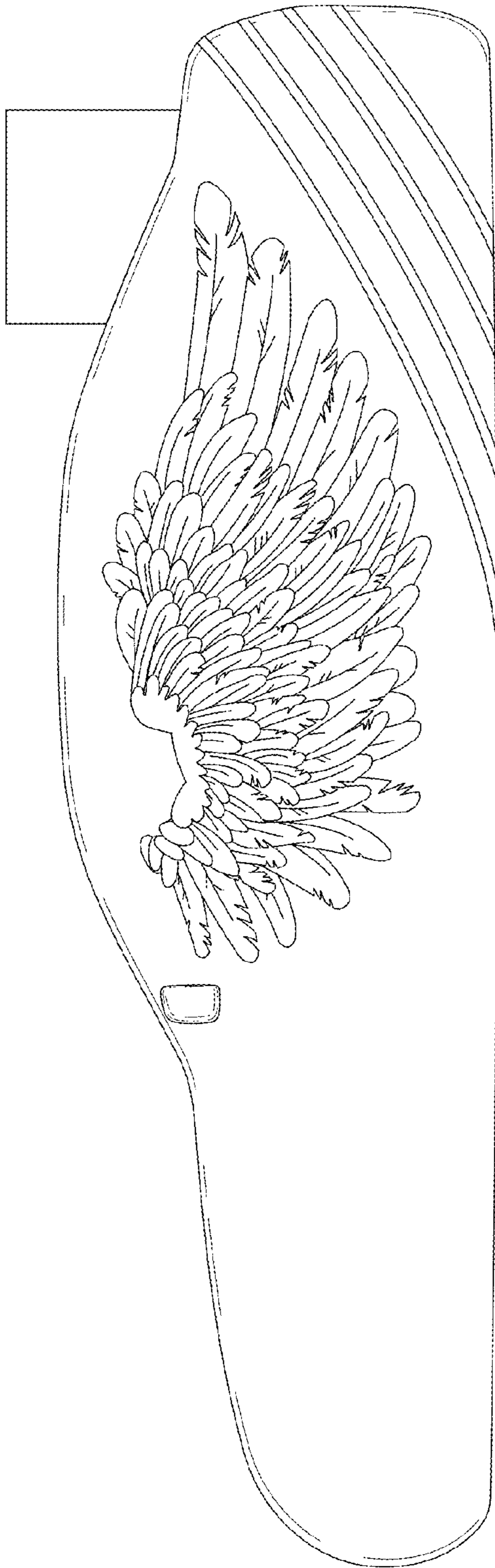


Fig. 5

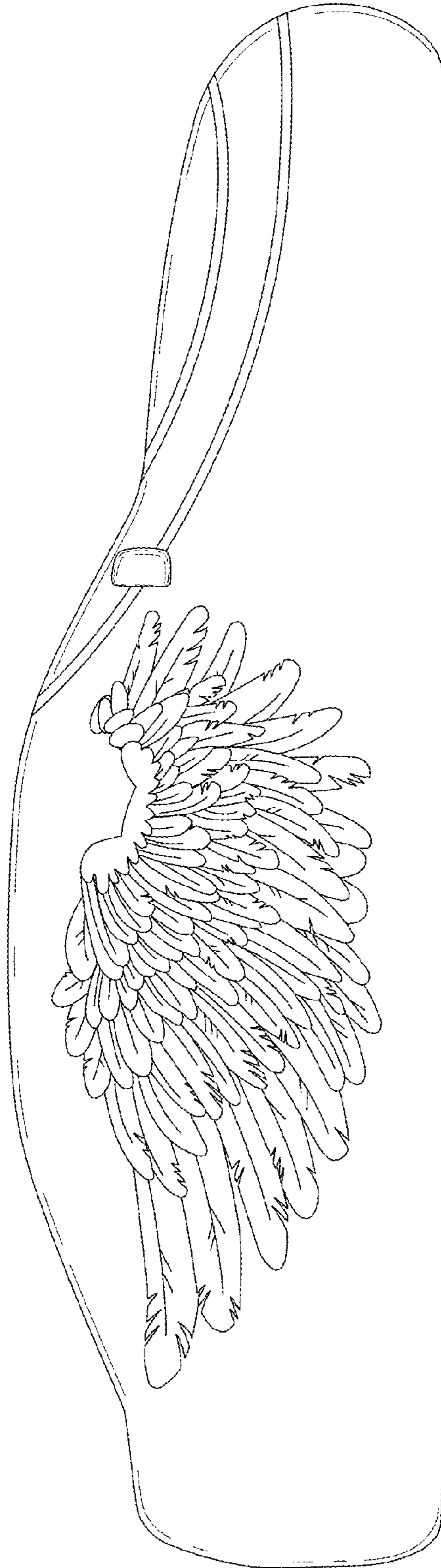


Fig. 6

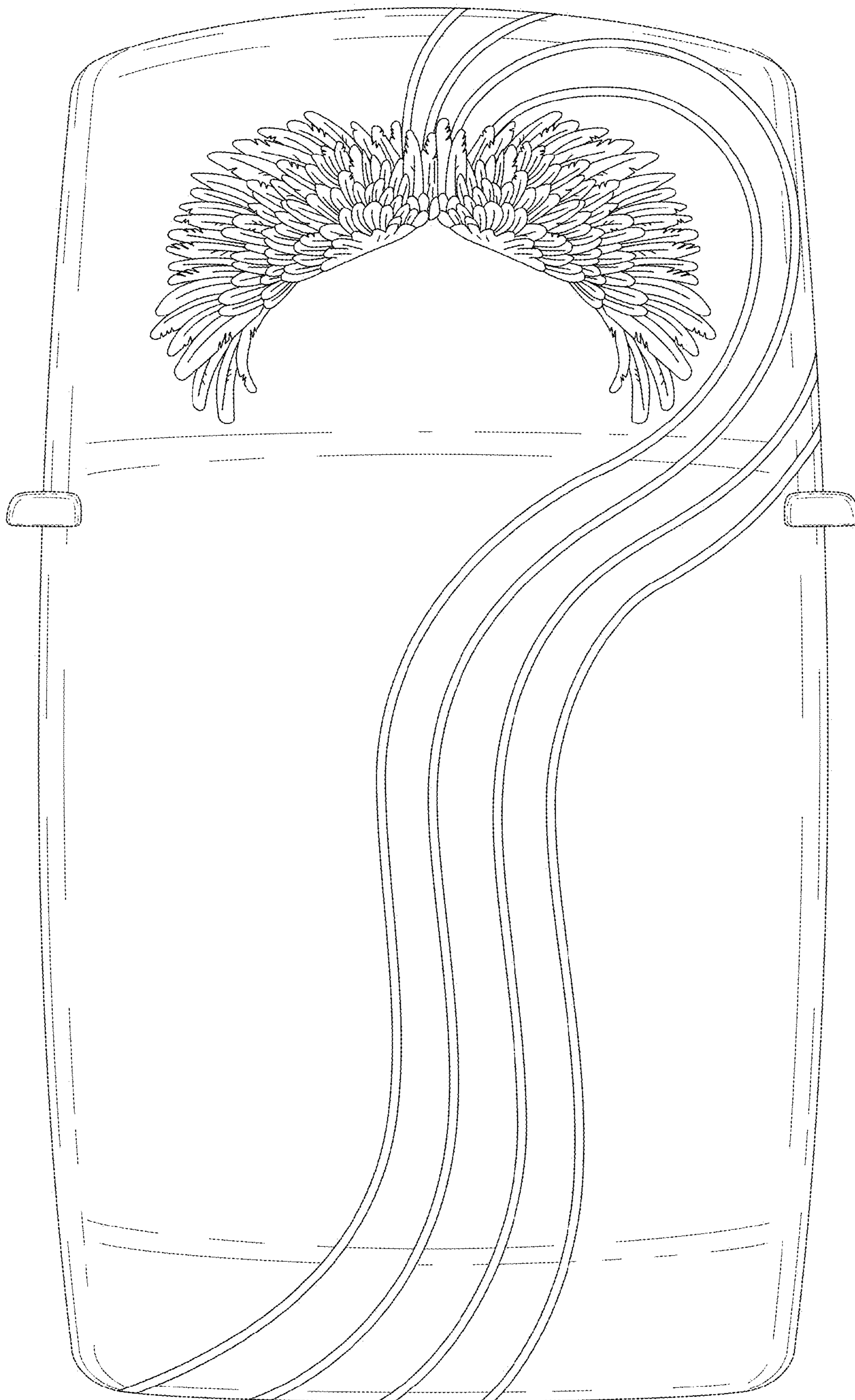


Fig. 7

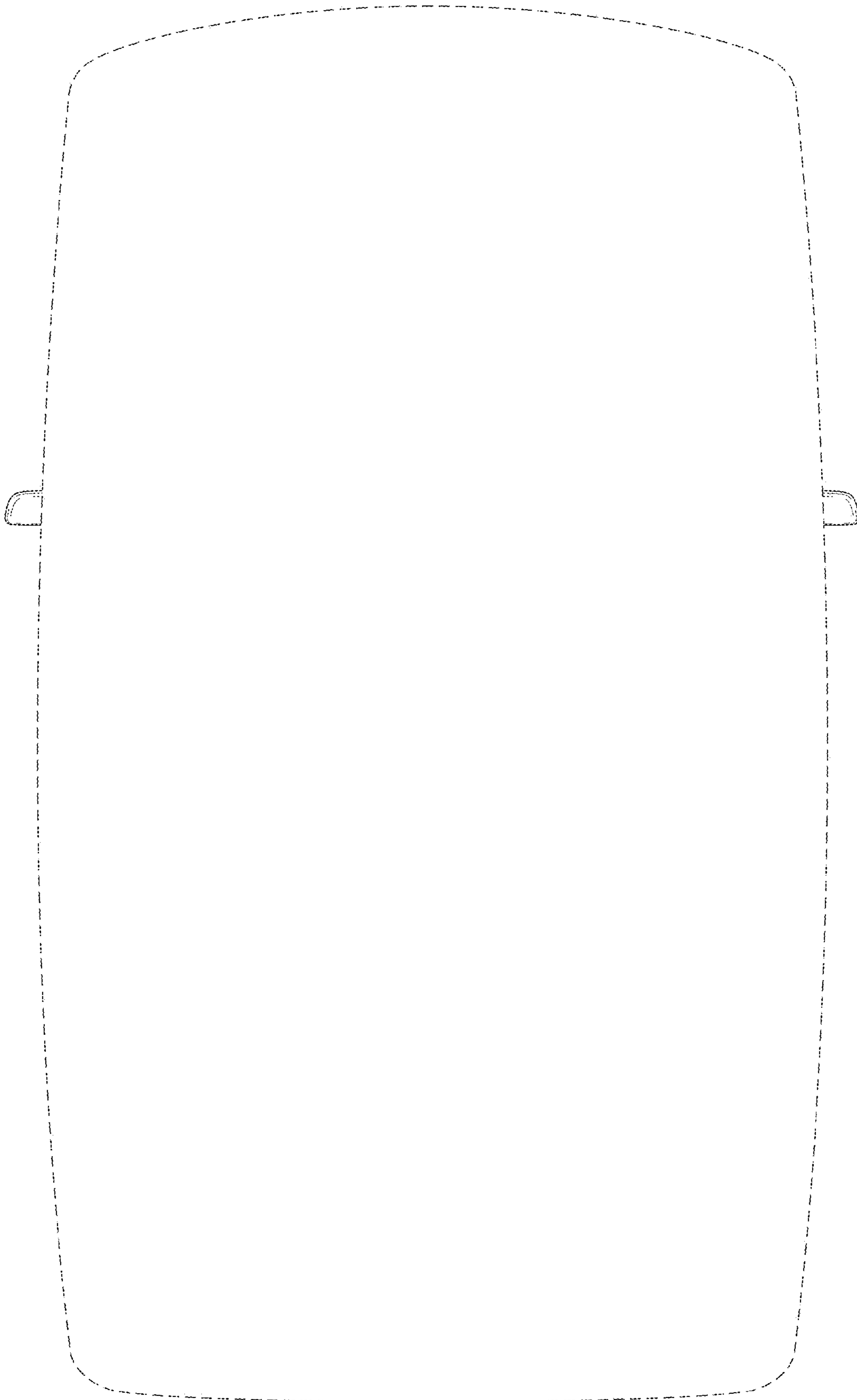


Fig. 8