



US00D905614S

(12) **United States Design Patent**
Ignatiev et al.

(10) **Patent No.:** **US D905,614 S**

(45) **Date of Patent:** **** Dec. 22, 2020**

(54) **DOUBLE-SEATED MULTI-PURPOSE LIGHT AIRCRAFT**

(56)

References Cited

U.S. PATENT DOCUMENTS

(71) Applicant: **Research and Engineering Company, Zhkovsky (RU)**

(72) Inventors: **Sergey Ignatiev, Zhukovsky (RU); Anton Chuvyichkin, Zhukovsky (RU); Alexander Korneev, Zhukovsky (RU)**

(73) Assignee: **LLC NIK, Zhukovsky (RU)**

(**) Term: **15 Years**

(21) Appl. No.: **35/506,939**

(22) Filed: **Nov. 22, 2018**

(80) **Hague Agreement Data**

Int. Filing Date: **Nov. 22, 2018**

Int. Reg. No.: **DM/201491**

Int. Reg. Date: **Nov. 22, 2018**

Int. Reg. Pub. Date: **Jun. 21, 2019**

(30) **Foreign Application Priority Data**

Jun. 9, 2018 (RU) 2018502469

(51) **LOC (12) Cl.** **12-07**

(52) **U.S. Cl.**
USPC **D12/343**

(58) **Field of Classification Search**
USPC D12/16.1, 319-345; D21/102
CPC B64C 1/062; B64C 23/00; B64C 27/08;
B64C 29/00; B64C 39/00; B64C 39/024;
A63H 17/36

See application file for complete search history.

D156,694 S *	1/1950	Boyajian et al.	D12/324
D271,294 S *	11/1983	Hauk	D12/344
D495,376 S *	8/2004	Zee	D21/450
D582,832 S *	12/2008	Dornier	D12/337
D621,774 S *	8/2010	Betsch	D12/344
D629,737 S *	12/2010	Betsch	D12/319
D642,968 S *	8/2011	Zhao	D12/344
D649,506 S *	11/2011	Morelli	D12/319
D729,694 S *	5/2015	Earon	D12/16.1
D778,803 S *	2/2017	Faure	D12/319
D784,903 S *	4/2017	Adams	D12/343

* cited by examiner

Primary Examiner — Darlington Ly

(74) *Attorney, Agent, or Firm* — Nadya Reingand; Yan Hankin

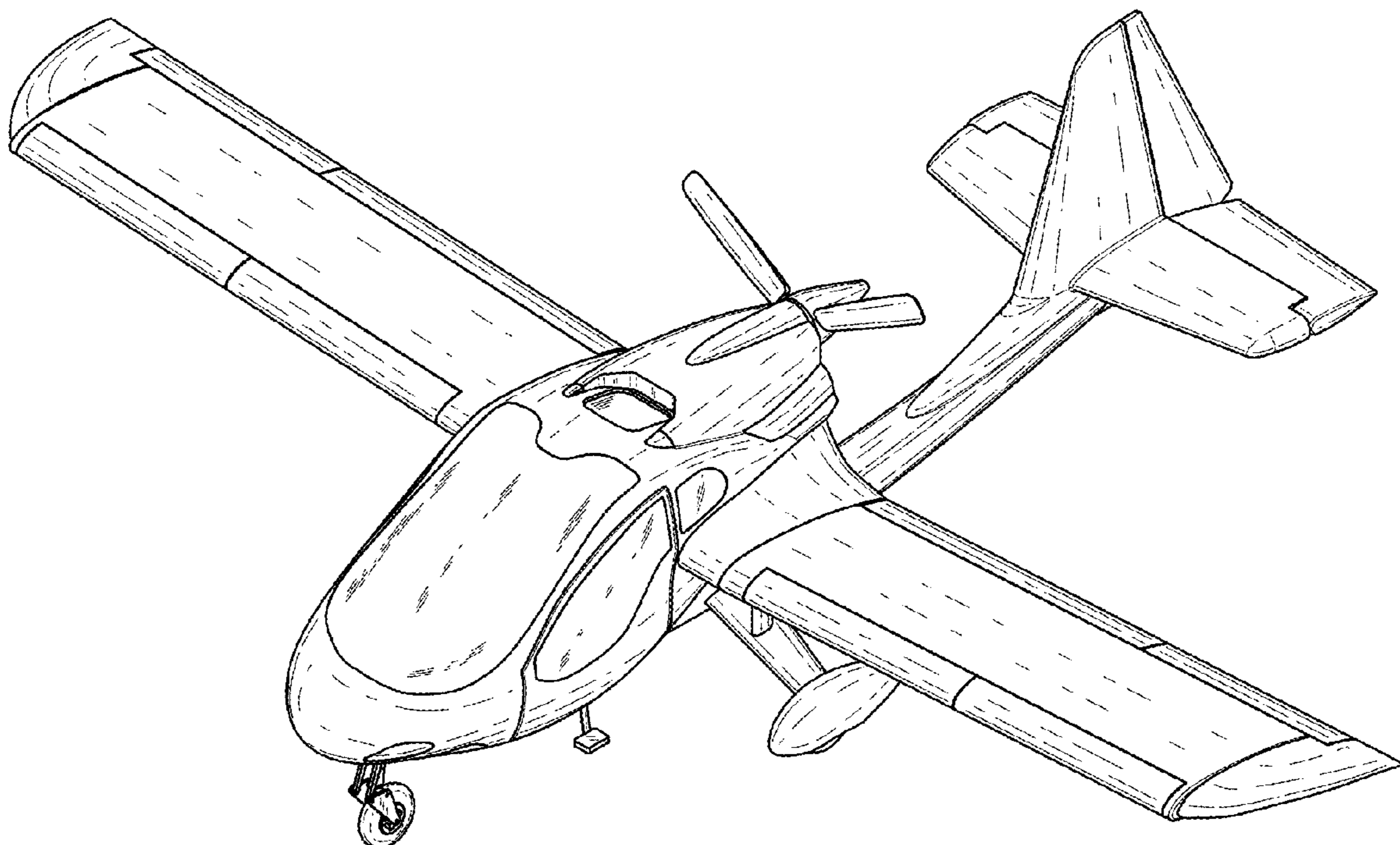
(57) **CLAIM**

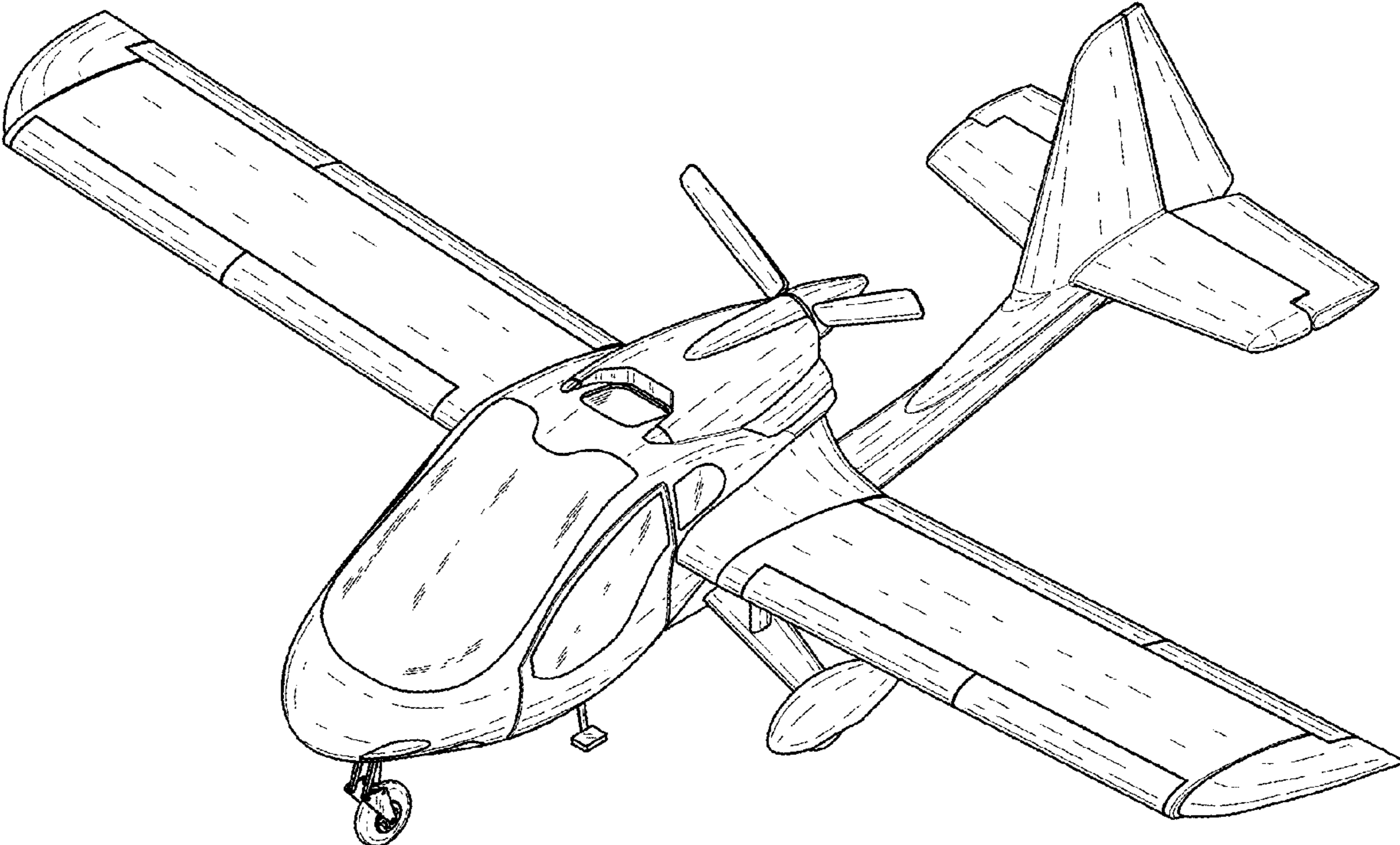
The ornamental design for a double-seated multi-purpose light aircraft, as shown and described.

DESCRIPTION

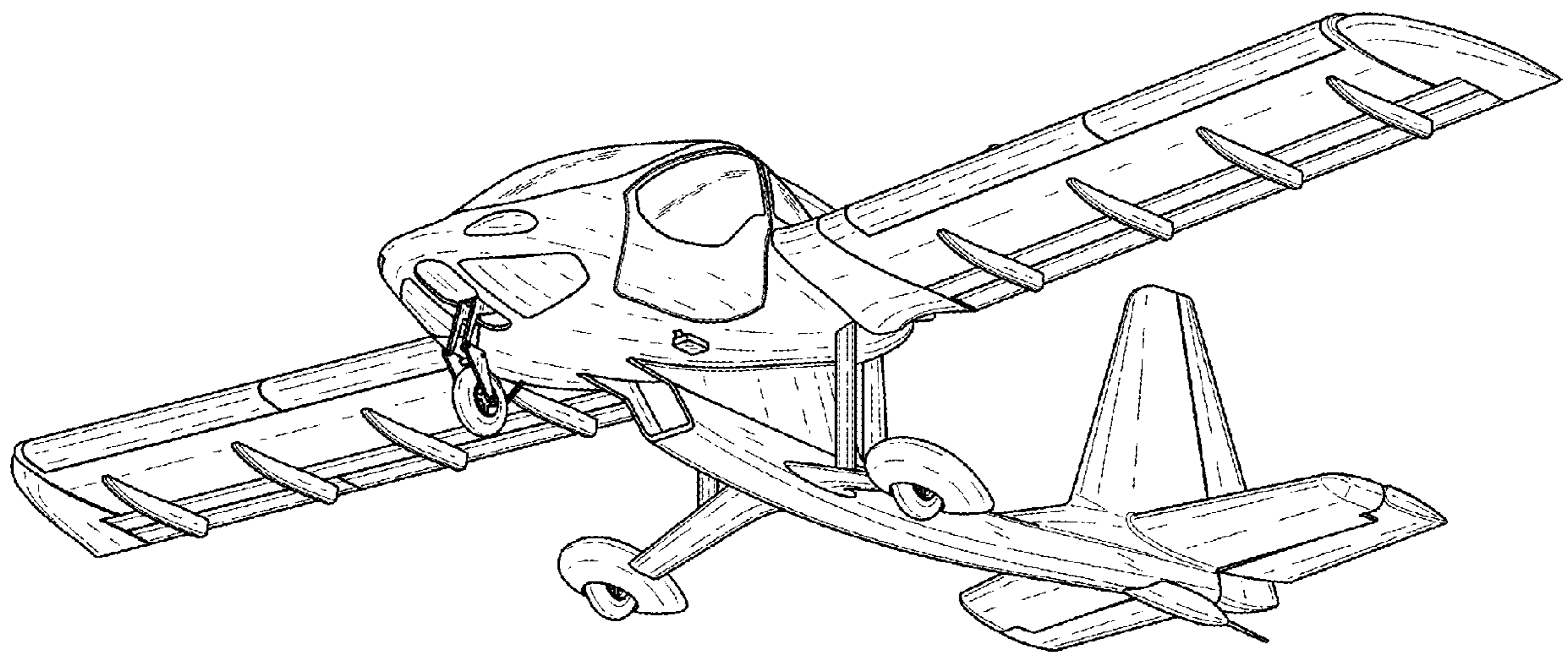
1.1 is a top perspective view of the double-seated multi-purpose light aircraft showing our new design;
1.2 is a bottom perspective view thereof;
1.3 is a front elevation view thereof;
1.4 is a top plan view thereof; and
1.5 is a right side elevation view thereof, to which the left side elevation view thereof is a mirror image.

1 Claim, 5 Drawing Sheets

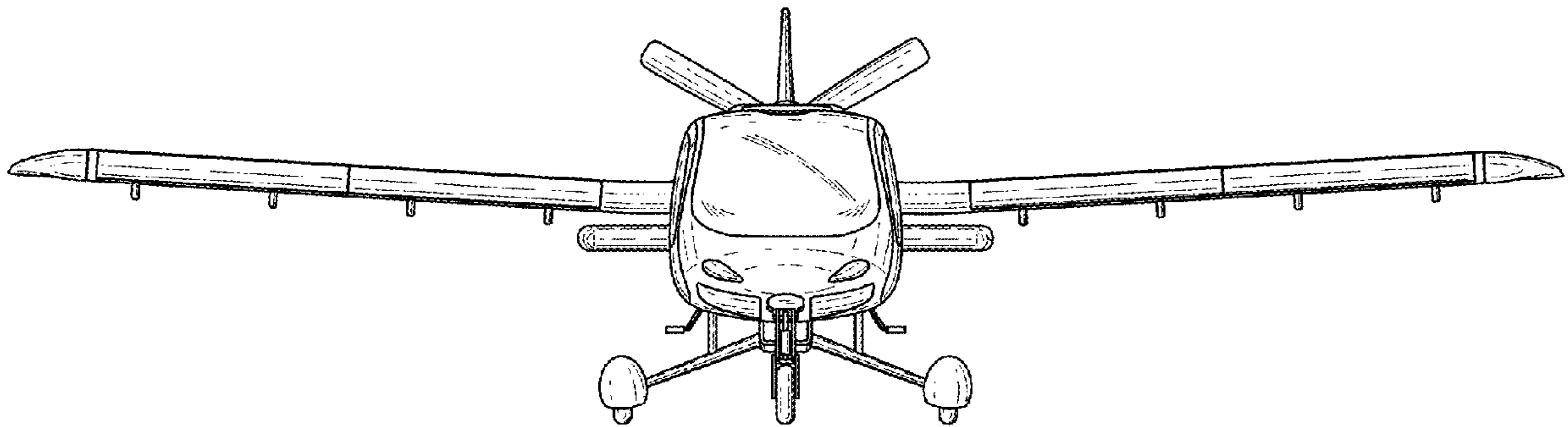




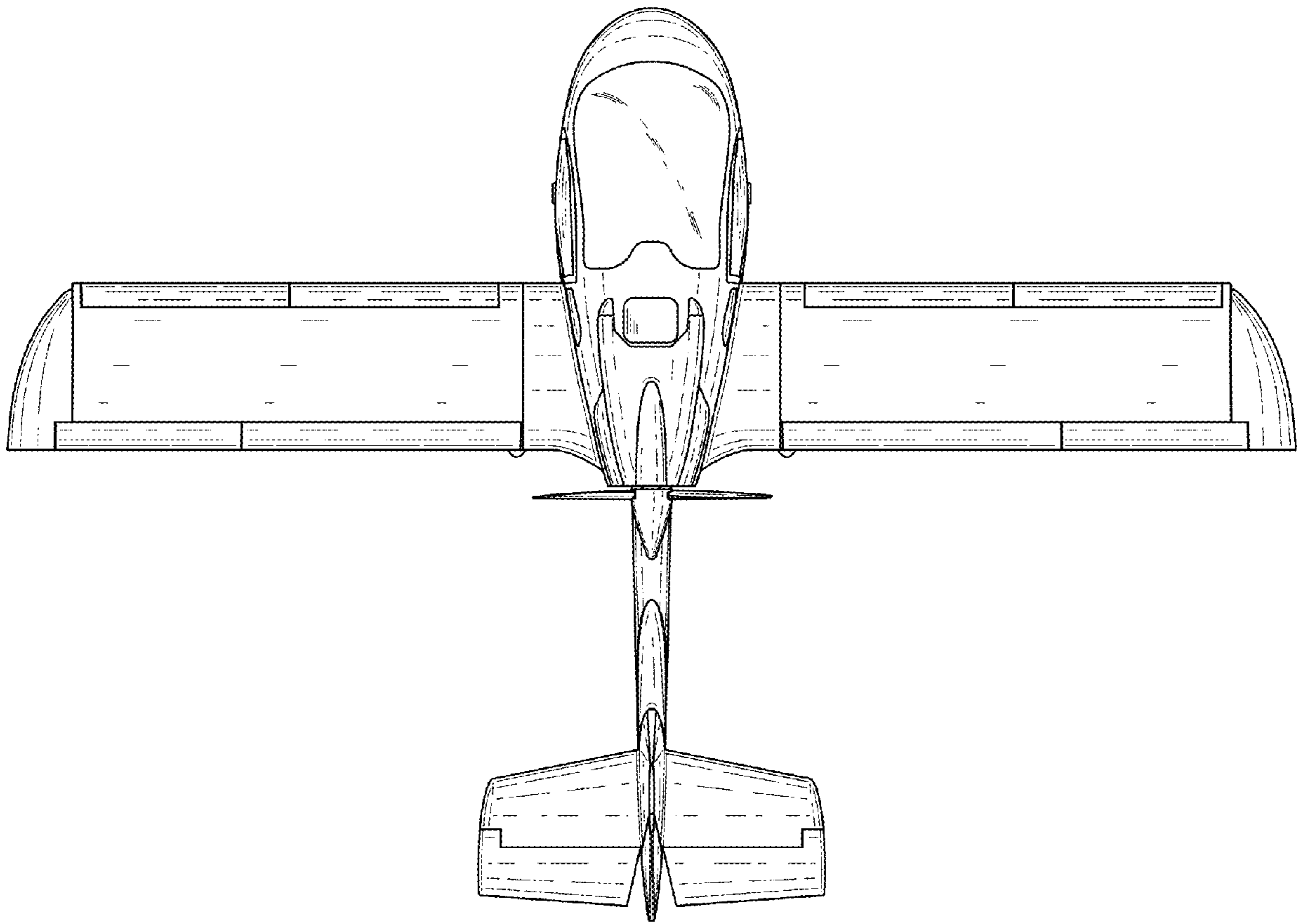
1.1



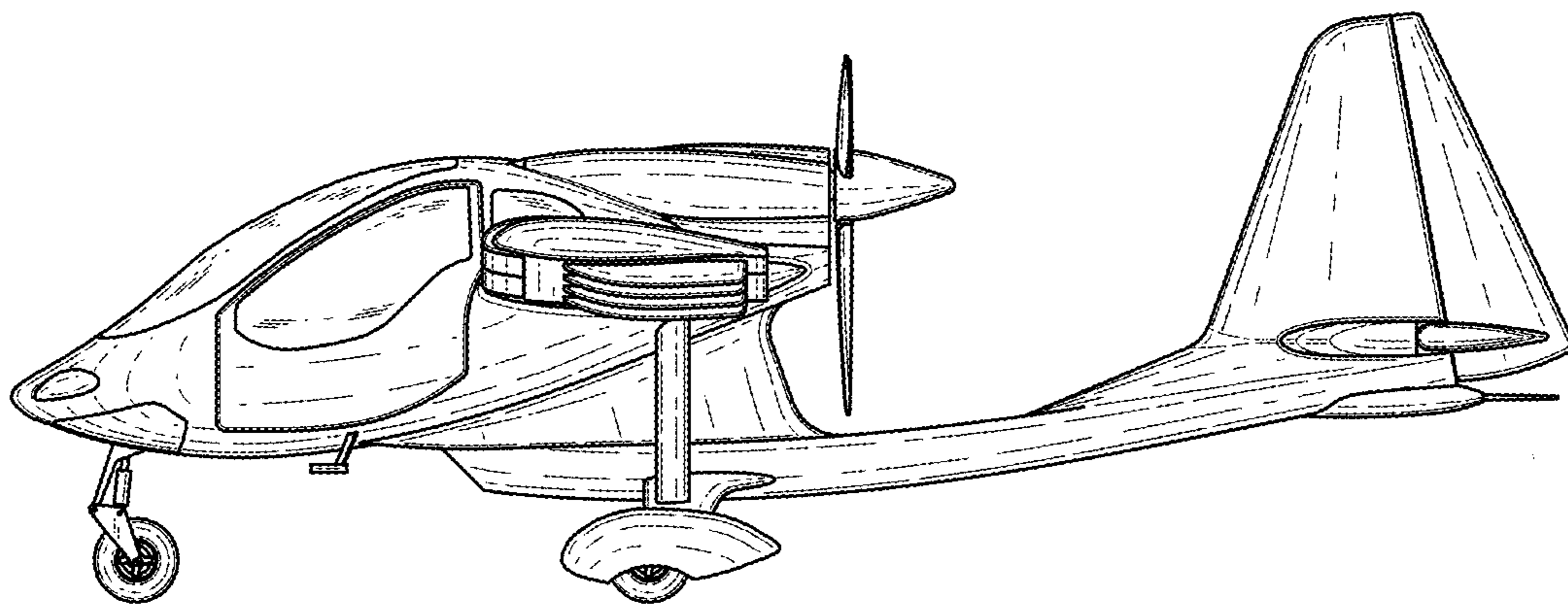
1.2



1.3



1.4



1.5