



US00D905613S

(12) **United States Design Patent**  
**Ohashi et al.**

(10) **Patent No.:** **US D905,613 S**

(45) **Date of Patent:** **\*\* Dec. 22, 2020**

(54) **REMOTE CONTROLLER FOR SHIPS**

(71) Applicant: **Yanmar Co., Ltd.**, Osaka (JP)

(72) Inventors: **Ryosuke Ohashi**, Osaka (JP); **Koichi Kanda**, Osaka (JP); **Shogo Otomo**, Osaka (JP); **Kiyoyuki Okuyama**, Yamagata (JP)

(73) Assignee: **YANMAR POWER TECHNOLOGY CO., LTD.**, Osaka (JP)

(\*\*) Term: **15 Years**

(21) Appl. No.: **29/687,873**

(22) Filed: **Apr. 16, 2019**

(30) **Foreign Application Priority Data**

Oct. 18, 2018 (JP) ..... 2018-022889

(51) **LOC (12) Cl.** ..... **12-06**

(52) **U.S. Cl.**  
USPC ..... **D12/317**

(58) **Field of Classification Search**  
USPC ..... D12/174, 178–180, 300, 301, 303–315, D12/317, 318; D10/49; D13/134, 162, D13/164, 168, 169, 173; D15/199  
CPC ..... B60W 10/06; B63H 21/21; B63H 21/213; B63H 21/22; B63H 21/265  
See application file for complete search history.

(56) **References Cited**

**U.S. PATENT DOCUMENTS**

- 4,227,428 A \* 10/1980 Zifferer ..... B63H 21/213 74/526
- 6,280,269 B1 \* 8/2001 Gaynor ..... B63B 49/00 440/84
- 6,587,765 B1 \* 7/2003 Graham ..... B63H 21/21 440/84
- D502,148 S \* 2/2005 Iekura ..... D13/168
- D510,556 S \* 10/2005 Rick ..... D12/317

- D554,596 S \* 11/2007 Iekura ..... D13/168
- D663,253 S \* 7/2012 Bondesson ..... D12/317
- D663,254 S \* 7/2012 Bondesson ..... D12/317

(Continued)

**OTHER PUBLICATIONS**

Volvo Penta Boat Twin Throttle Control, ebay.com [online]. published on or before Apr. 21, 2019, [retrieved on Mar. 9, 2020]. Retrieved from the Internet: <URL: [https://www.ebay.com/itm/VOLVO-PENTA-BOAT-TWIN-THROTTLE-CONTROL-21730160-352647186390?\\_trksid=p2385738.m4383.l4275.c10](https://www.ebay.com/itm/VOLVO-PENTA-BOAT-TWIN-THROTTLE-CONTROL-21730160-352647186390?_trksid=p2385738.m4383.l4275.c10)> (Year: 2019).\*

(Continued)

*Primary Examiner* — Karen E Kearney

*Assistant Examiner* — Adam C Mager

(74) *Attorney, Agent, or Firm* — Norton Rose Fulbright US LLP

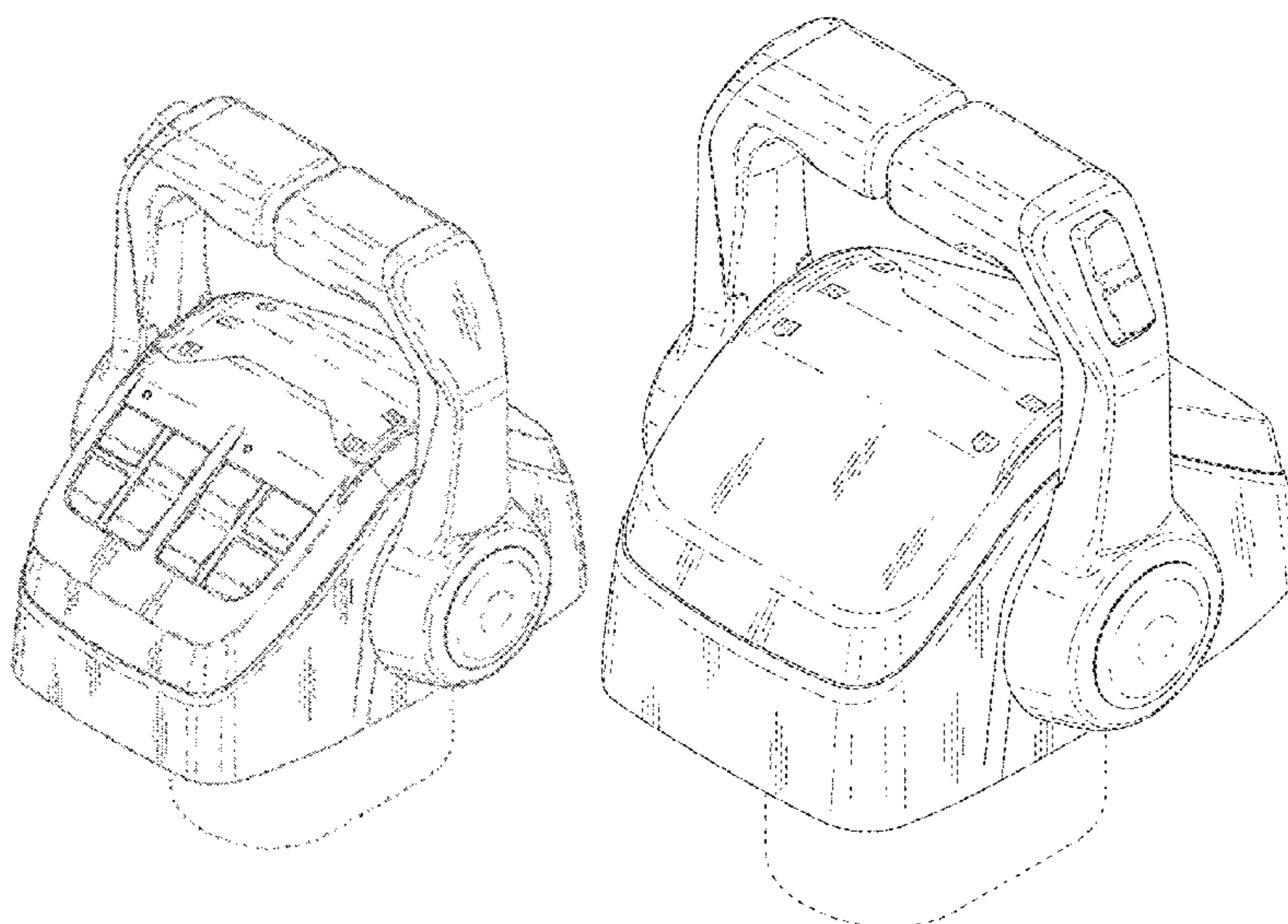
(57) **CLAIM**

The ornamental design for a remote controller for ships, as shown and described.

**DESCRIPTION**

FIG. 1 is a front elevational view of a remote controller for ships showing our new design;  
FIG. 2 is a rear elevational view thereof;  
FIG. 3 is a left side elevational view thereof;  
FIG. 4 is a right side elevational view thereof;  
FIG. 5 is a top plan view thereof;  
FIG. 6 is a bottom plan thereof;  
FIG. 7 is a perspective view of the remote controller for ships taken from the front, top and right side thereof; and, FIG. 8 is a perspective view of the remote controller for ships taken from the rear, top and left side thereof.  
The broken lines are for purpose of illustrating portions of the article that form no part of the claim. The surface is lined for contour only, and no claim is made to a particular texture. No claim is made to portions not shown in the drawings.

**1 Claim, 8 Drawing Sheets**



(56)

**References Cited**

U.S. PATENT DOCUMENTS

D689,423 S \* 9/2013 Park ..... D12/317  
D689,424 S \* 9/2013 Park ..... D12/317  
9,039,468 B1 \* 5/2015 Arbuckle ..... B63H 21/213  
440/1  
D834,493 S \* 11/2018 Uchiyama ..... D12/317  
2018/0244362 A1 \* 8/2018 Nolan ..... B63H 25/02

OTHER PUBLICATIONS

Vetus control box for 1 mechanical engine, vetus.com [online].  
published on or before Mar. 9, 2020, [retrieved on Mar. 9, 2020].  
Retrieved from the Internet: <URL: <https://www.vetus.com/en/boat-instruments/engine-remote-controls/caja-de-mando-1-motor-14639.html>> (Year: 2020).\*

Engine control lever, nauticexpo.com [online]. published on or  
before Dec. 31, 2017, [retrieved on Mar. 9, 2020]. Retrieved from  
the Internet: <URL: <https://www.nauticexpo.com/prod/volvo-penta/product-21503-367998.html>> (Year: 2017).\*

\* cited by examiner

FIG. 1

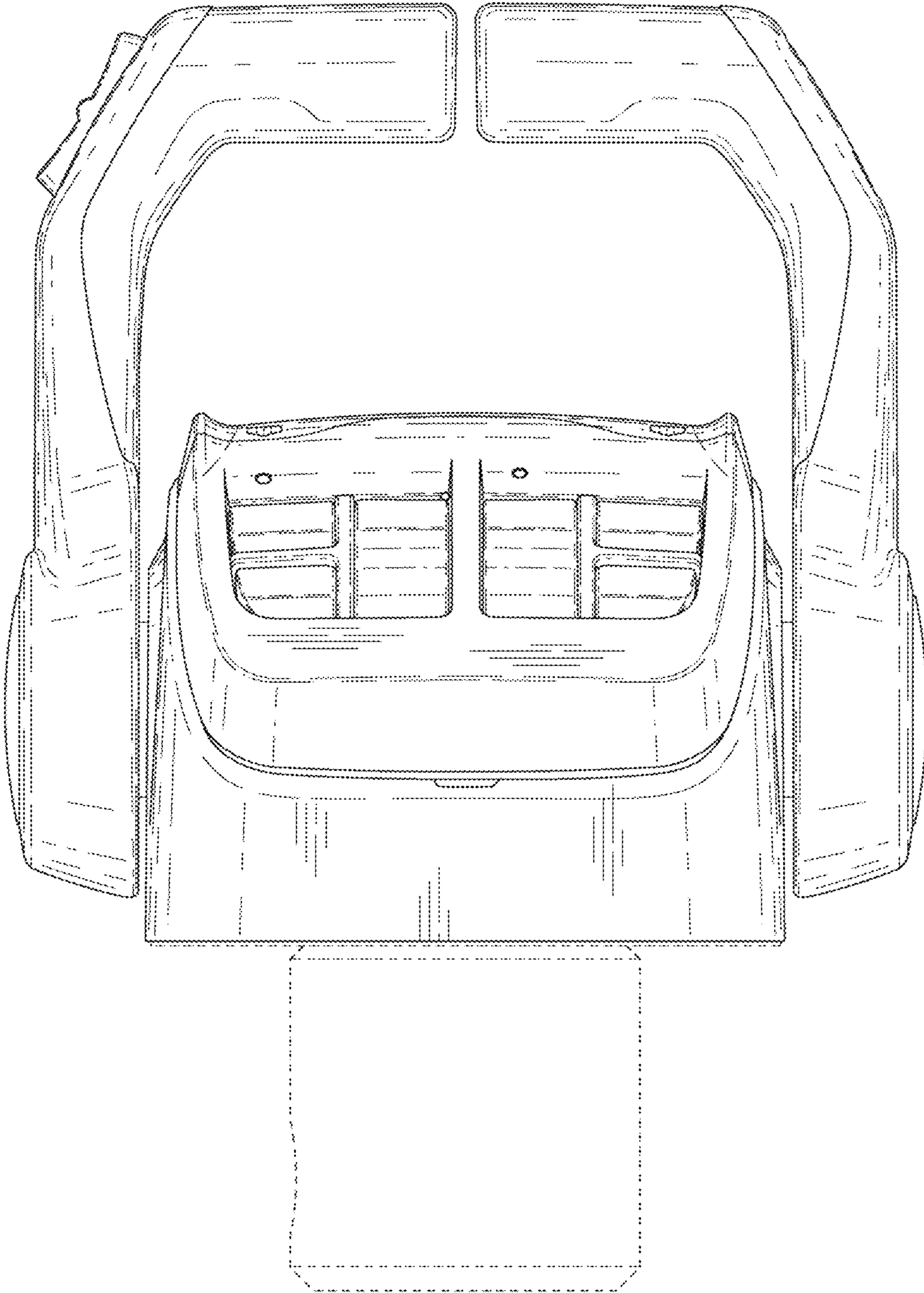


FIG. 2

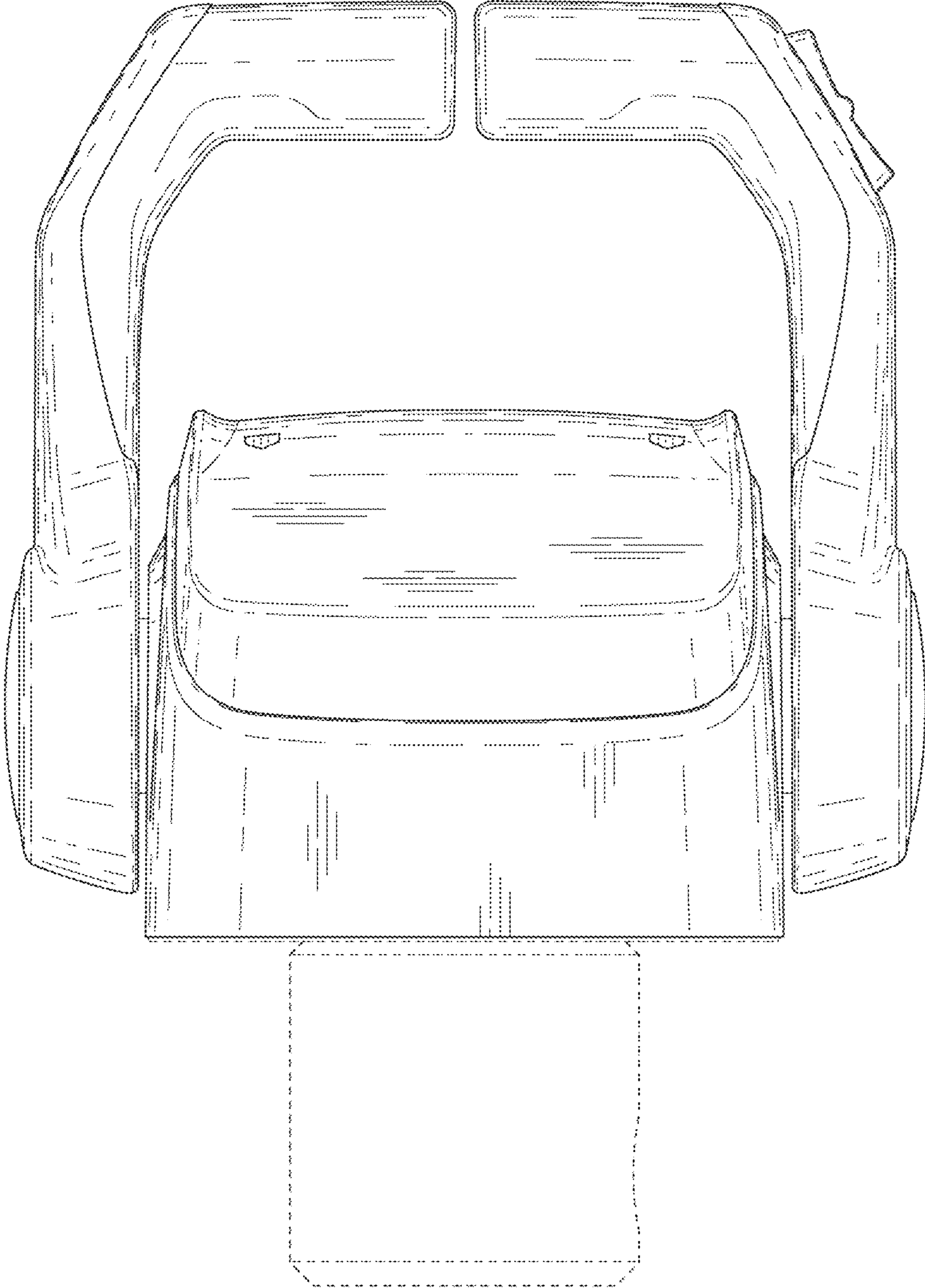


FIG. 3

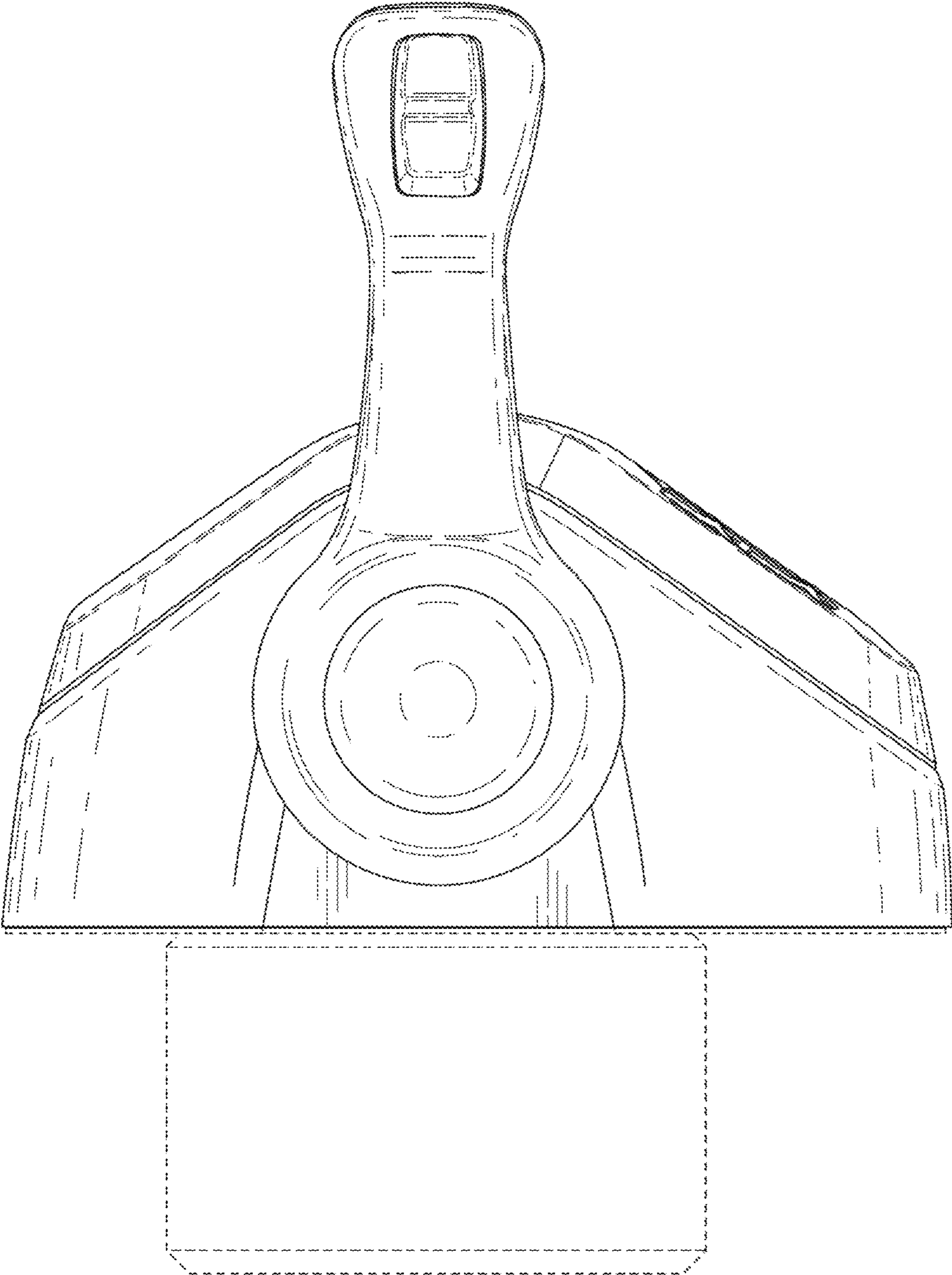


FIG. 4

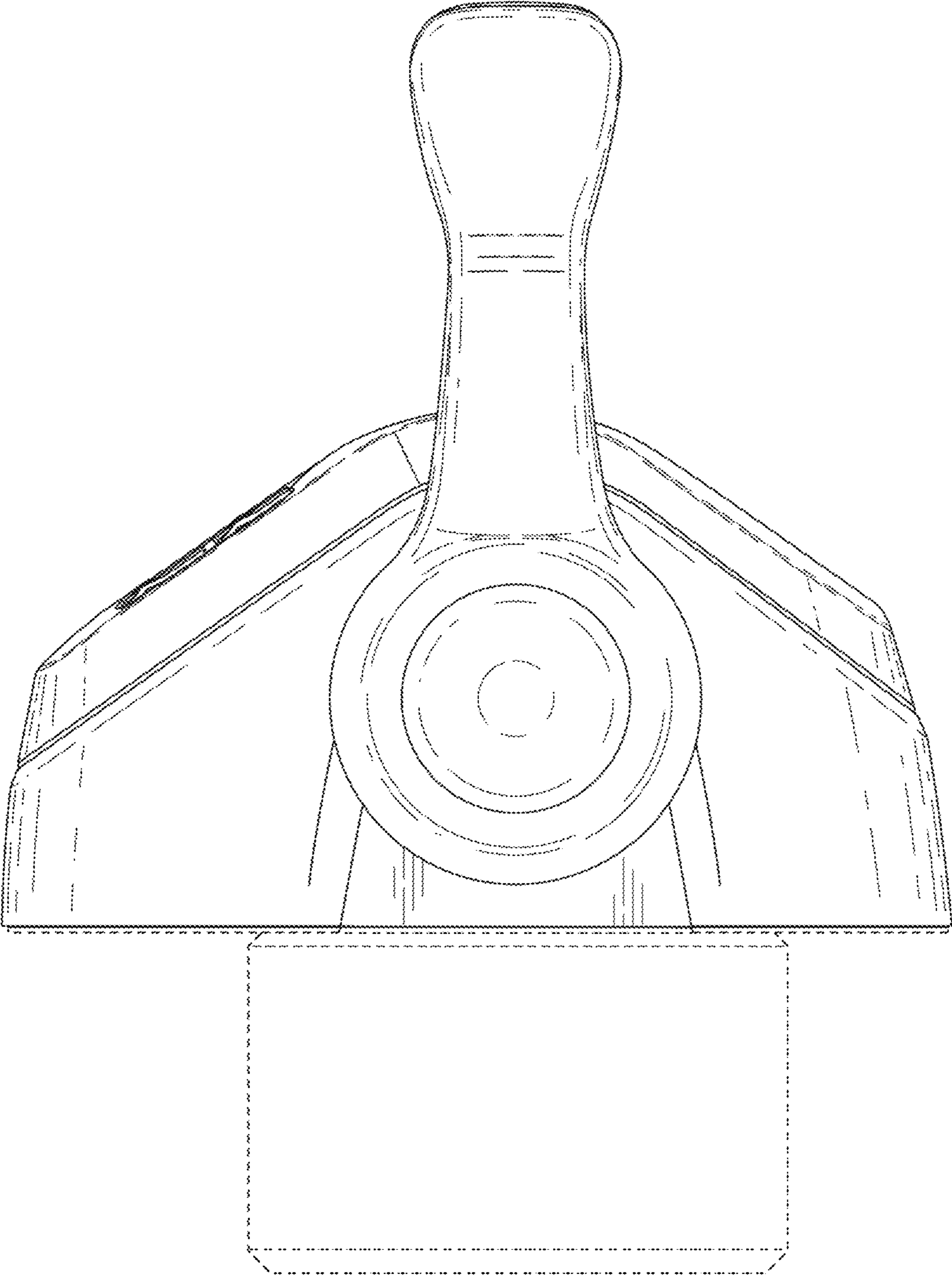


FIG. 5

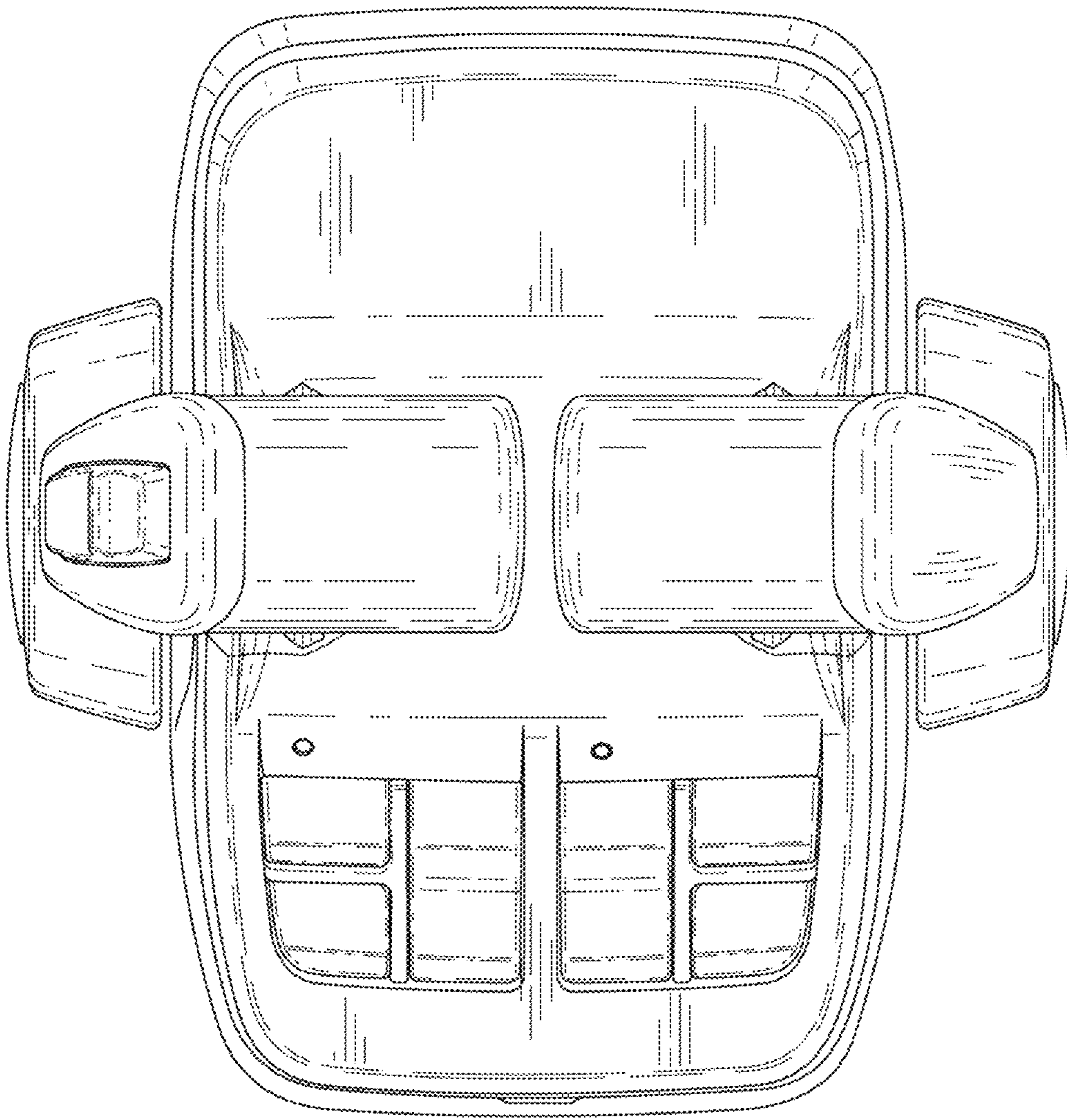


FIG. 6

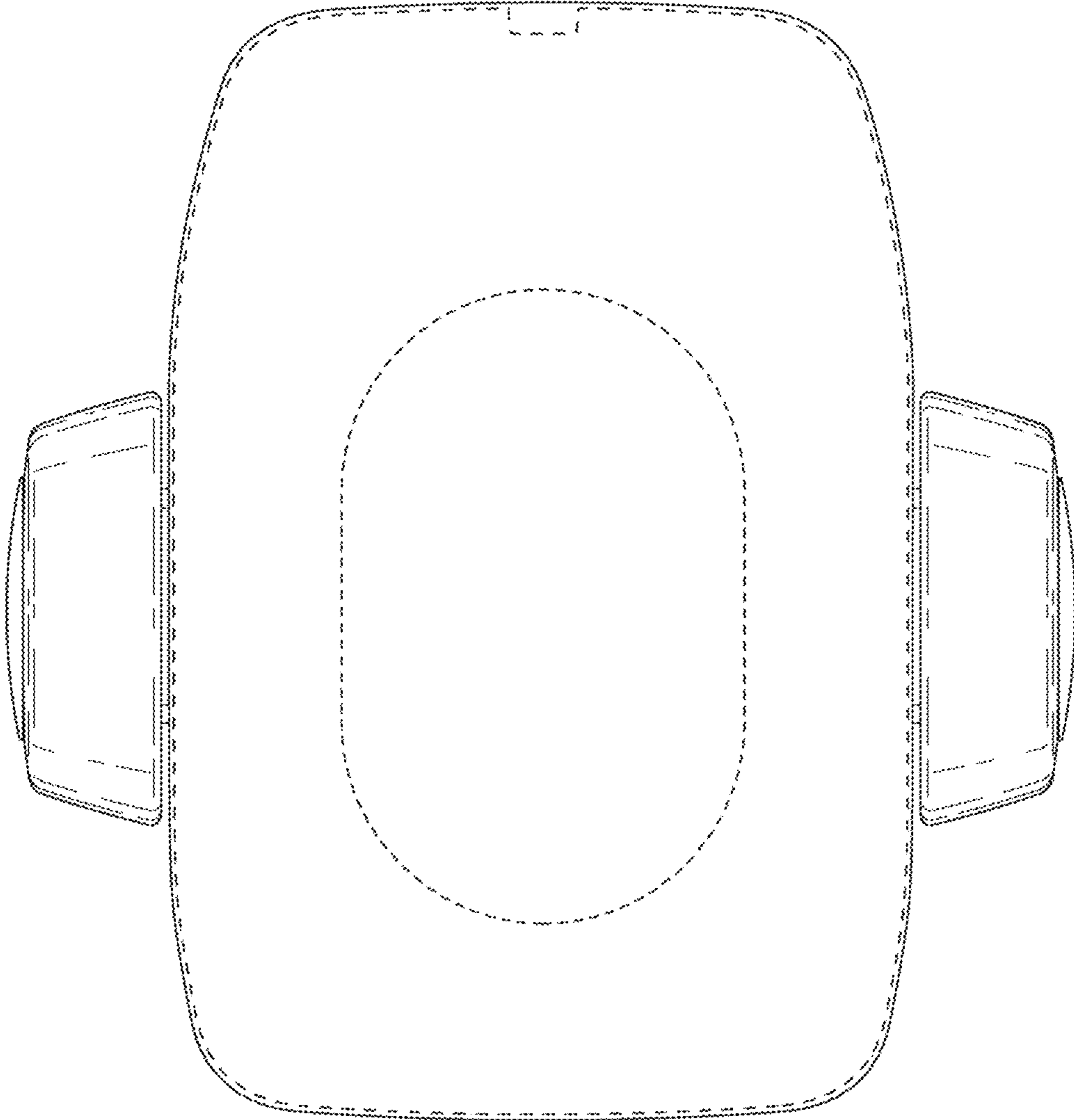




FIG. 7

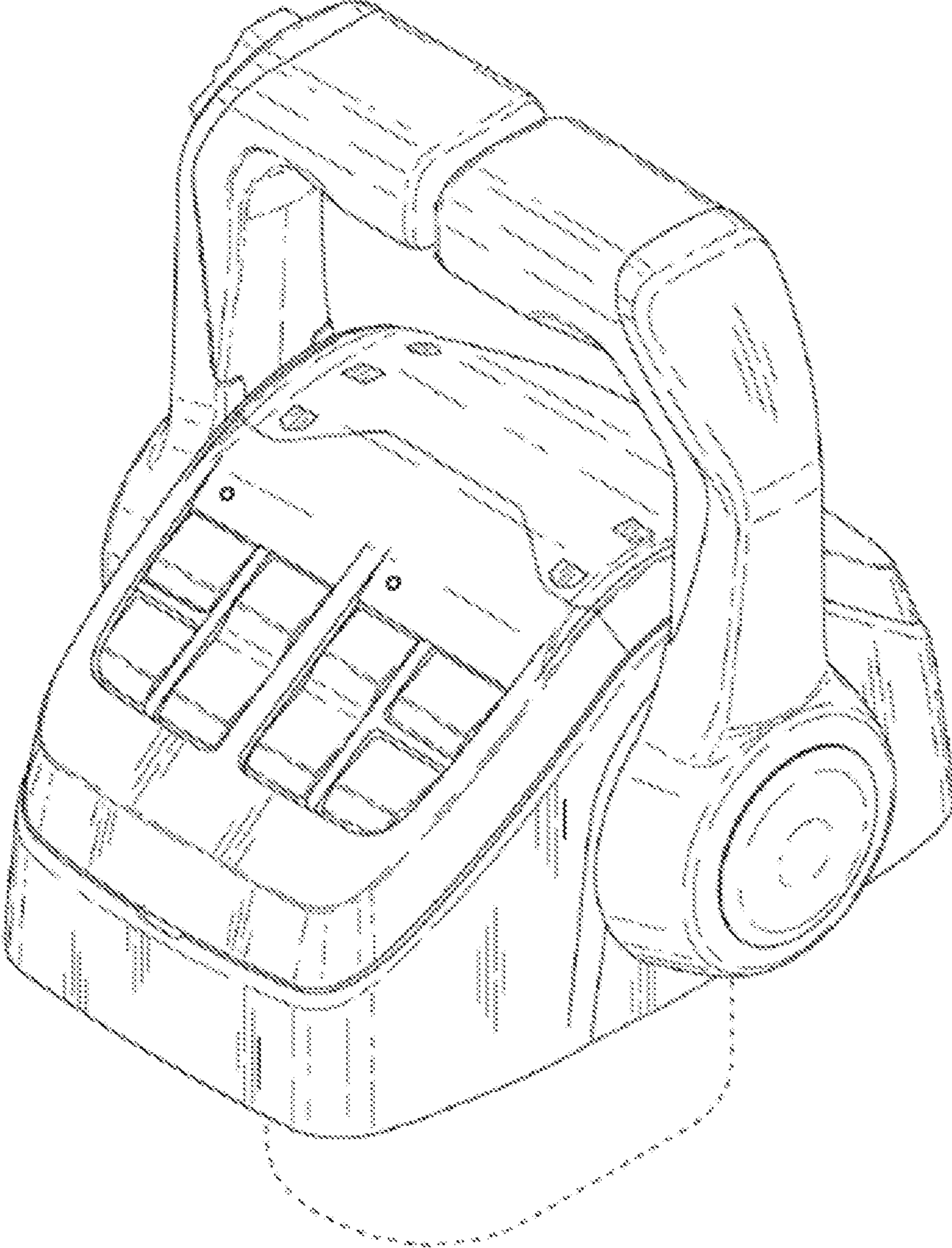


FIG. 8

