



US00D905599S

(12) **United States Design Patent** (10) **Patent No.:** **US D905,599 S**
Kimura et al. (45) **Date of Patent:** **** Dec. 22, 2020**

(54) **MOTOR VEHICLE AND/OR TOY REPLICA THEREOF**

(71) Applicants: **Keisuke Kimura**, Koganei (JP);
Daisuke Tanaka, Hino (JP)

(72) Inventors: **Keisuke Kimura**, Koganei (JP);
Daisuke Tanaka, Hino (JP)

(73) Assignee: **TOYOTA JIDOSHA KABUSHIKI KAISHA**

(**) Term: **15 Years**

(21) Appl. No.: **29/706,945**

(22) Filed: **Sep. 25, 2019**

(30) **Foreign Application Priority Data**

Mar. 27, 2019 (JP) 2019-006423

(51) **LOC (12) Cl.** **12-08**

(52) **U.S. Cl.**
USPC **D12/91**

(58) **Field of Classification Search**
USPC D12/86, 90-92, 88; D21/424, 433, 434,
D21/533; 296/181.1-181.5, 183.1
CPC B62D 25/00; B62D 25/06; B62D 33/00;
B62D 35/00
See application file for complete search history.

(56) **References Cited**

U.S. PATENT DOCUMENTS

D630,130 S * 1/2011 Ito D12/91
D630,972 S * 1/2011 Fujiwara D12/91
D641,291 S * 7/2011 Sperling D12/91
D668,998 S * 10/2012 Matsumoto D12/91

D668,999 S * 10/2012 Ito D12/91
D669,401 S * 10/2012 Matsumoto D12/164
D706,169 S * 6/2014 Suga D12/91
D773,613 S * 12/2016 Flowers D23/238
D779,378 S * 2/2017 Kim D12/91
D832,748 S * 11/2018 Scott D12/162

OTHER PUBLICATIONS

Lexus GX 460 (2013), Catalogue of Lexus GX 460, available on Sep. 1, 2013, published by Toyota Jidosha Kabushiki Kaisha. netcarshow.com, Toyota Land Cruiser (2018), <https://www.netcarshow.com/toyota/2018-land_cruiser>, available as early as Jul. 1, 2018.
netcarshow.com, Lexus LX 570 (2016), <https://www.netcarshow.com/lexus/2016-lx_570>, available as early as Jul. 1, 2018.

* cited by examiner

Primary Examiner — Melody N Brown

(74) *Attorney, Agent, or Firm* — Saidman DesignLaw Group, LLC

(57) **CLAIM**

The ornamental design for a motor vehicle and/or toy replica thereof, as shown and described.

DESCRIPTION

FIG. 1 is a front left perspective view of a motor vehicle and/or toy replica showing our new design;
FIG. 2 is a rear left perspective view thereof;
FIG. 3 is a front right perspective view thereof;
FIG. 4 is a rear right perspective view thereof;
FIG. 5 is a left side view thereof;
FIG. 6 is a right side view thereof;
FIG. 7 is a front view thereof;
FIG. 8 is a rear view thereof; and,
FIG. 9 is a top view thereof.

1 Claim, 9 Drawing Sheets





FIG. 1



FIG. 2

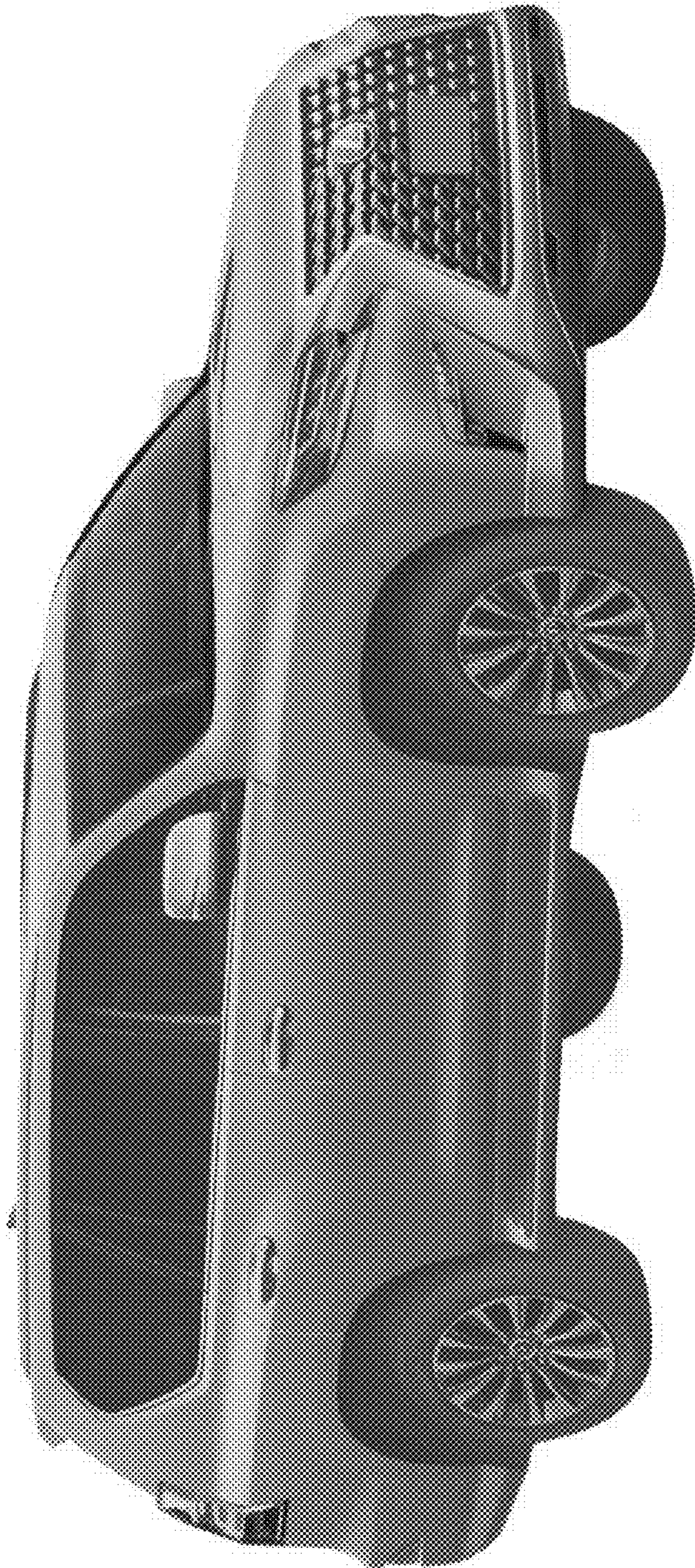


FIG. 3

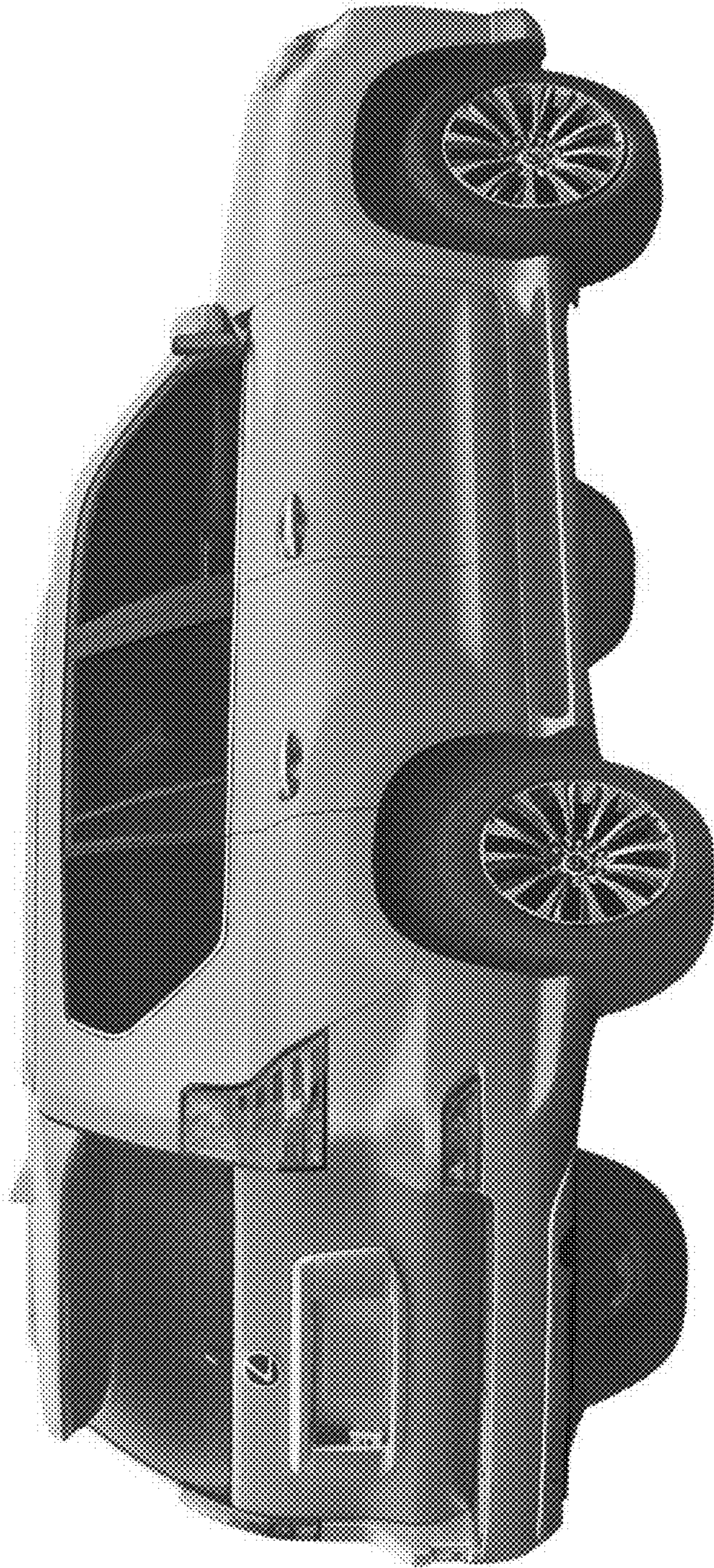


FIG. 4



FIG. 5

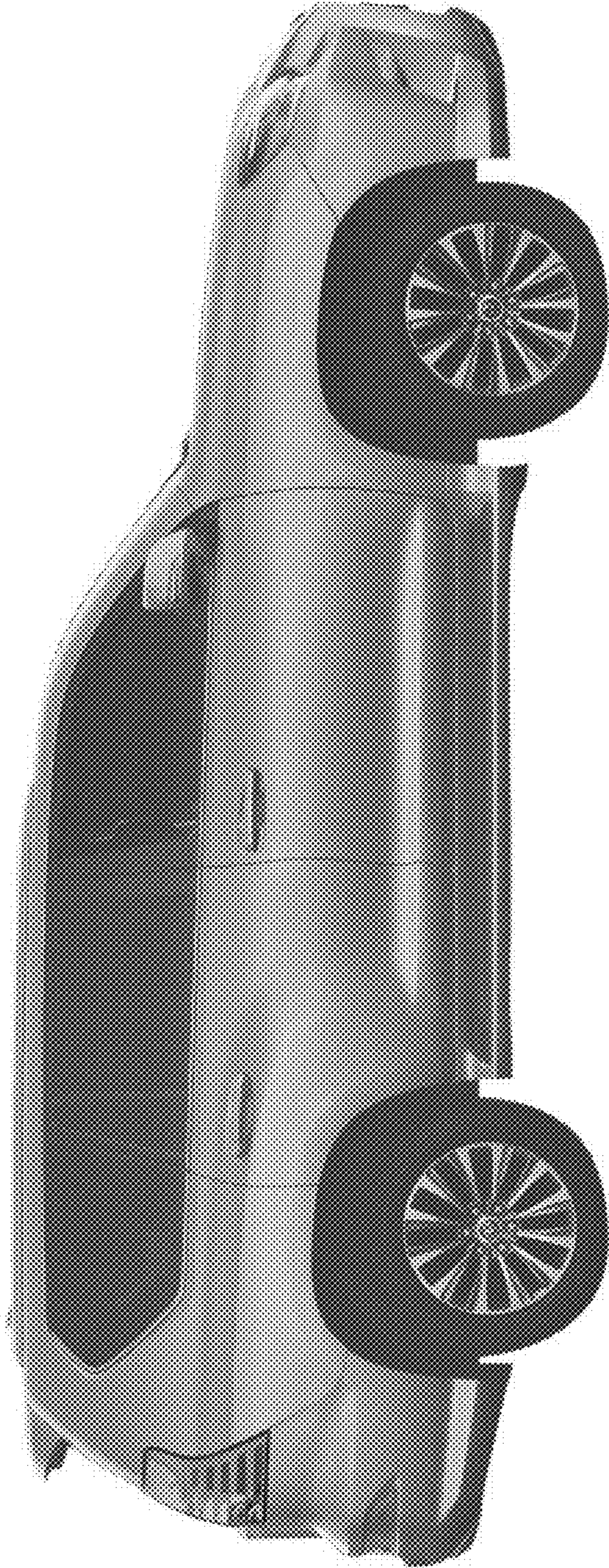


FIG. 6

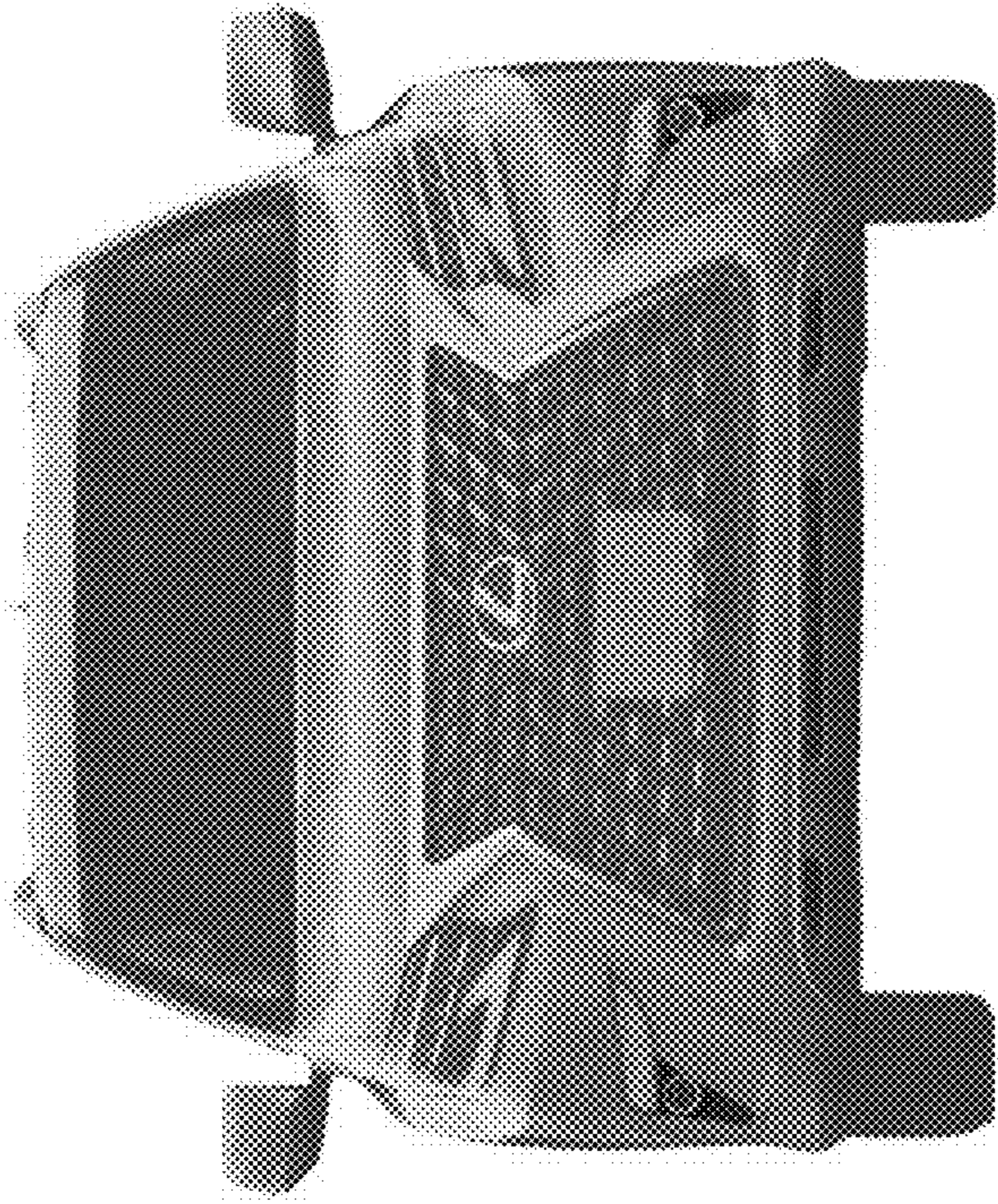


FIG. 7

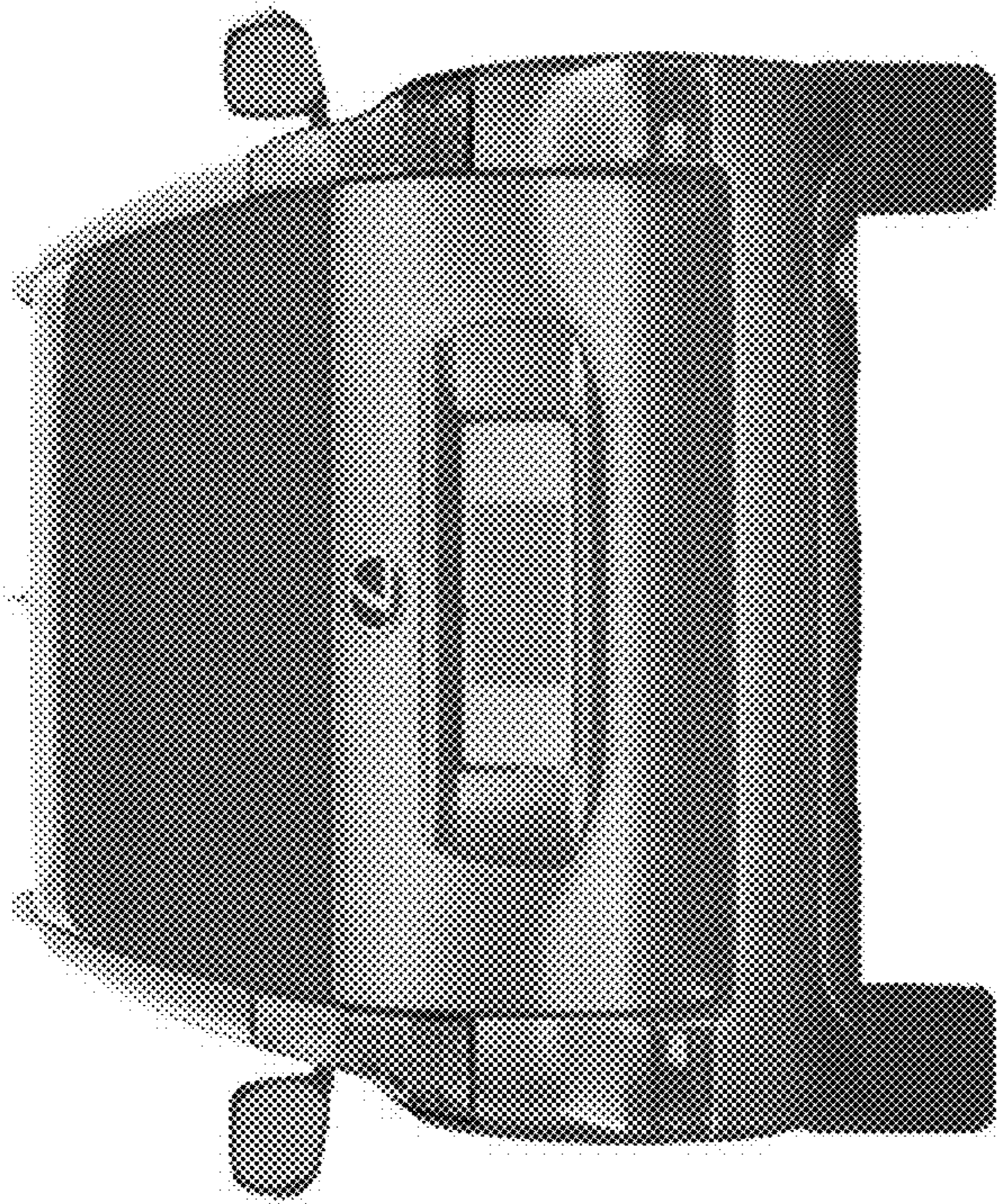


FIG. 8

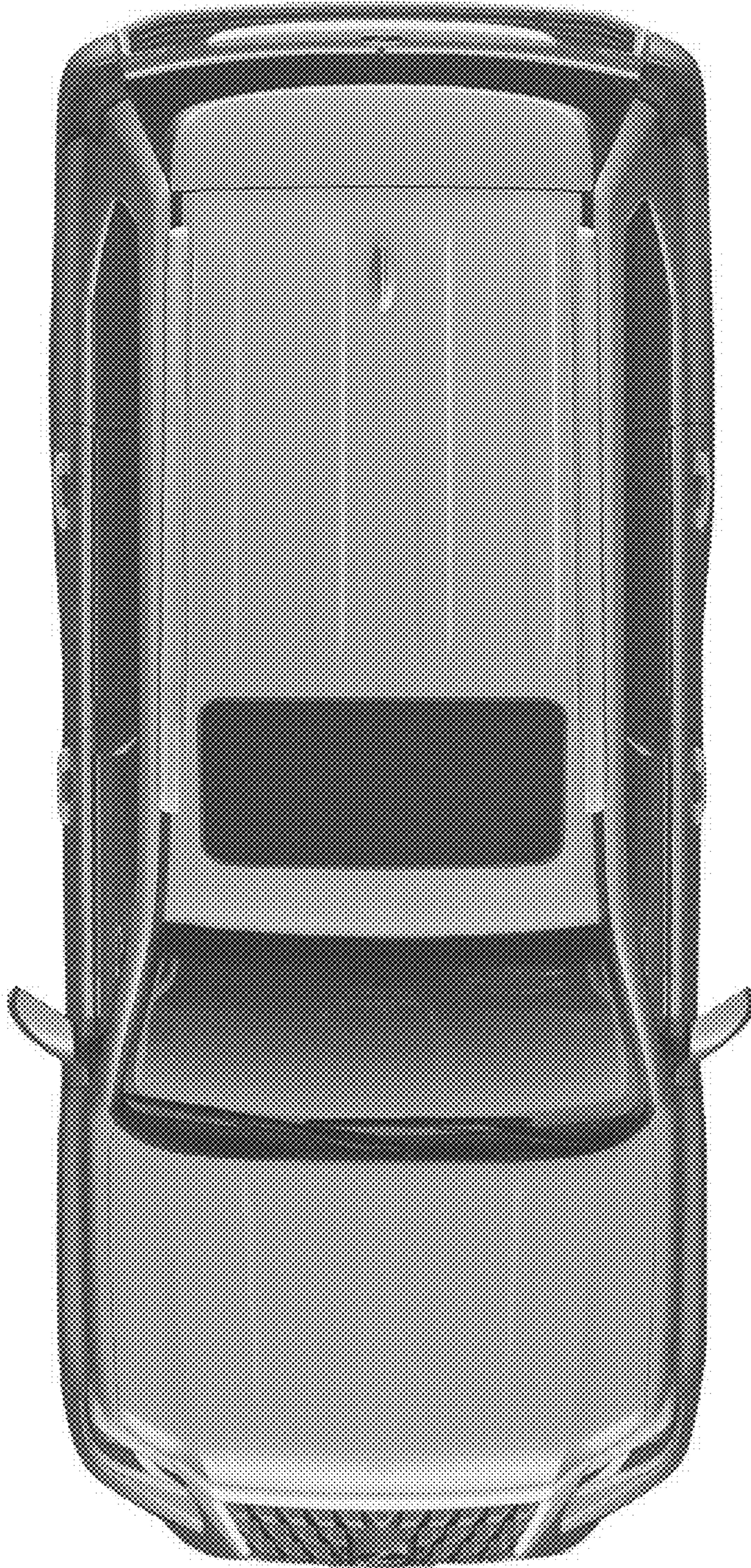


FIG. 9