



US00D905596S

(12) **United States Design Patent**  
**Chen et al.**

(10) **Patent No.:** **US D905,596 S**

(45) **Date of Patent:** **\*\* Dec. 22, 2020**

(54) **AERIAL VEHICLE**

(71) Applicant: **SZ DJI Technology Co., Ltd.**,  
Shenzhen (CN)

(72) Inventors: **Shaojie Chen**, Shenzhen (CN); **Yumian Deng**, Shenzhen (CN)

(73) Assignee: **SZ DJI Technology Co., Ltd.**,  
Shenzhen (CN)

(\*\*) Term: **15 Years**

(21) Appl. No.: **29/658,476**

(22) Filed: **Jul. 31, 2018**

**Related U.S. Application Data**

(63) Continuation of application No. 29/592,589, filed on Jan. 31, 2017, now Pat. No. Des. 852,673, which is a continuation of application No. 29/555,483, filed on Feb. 22, 2016, now Pat. No. Des. 814,970.

(51) **LOC (12) Cl.** ..... **12-07**

(52) **U.S. Cl.**  
USPC ..... **D12/16.1; D21/441**

(58) **Field of Classification Search**  
USPC ..... D12/16.1, 319, 323, 326, 335, 345, 327, D12/328, 329, 330, 343, 331, 344; D21/441, 453, 436, 438, 440, 442, 443, D21/446, 447, 448, 449, 450, 451  
CPC ..... B64C 39/024; B64C 39/00; B64C 27/08; B64C 2201/024; B64C 2201/00; B64C 2201/021; B64C 2201/12; B64C 2201/123; B64C 2201/146; B64C 1/00; B64C 3/10; B64C 11/16; B64C 2203/00  
See application file for complete search history.

(56) **References Cited**

**U.S. PATENT DOCUMENTS**

D648,808 S 11/2011 Seydoux et al.  
D695,674 S 12/2013 Nolan et al.

D710,452 S 8/2014 Barajas et al.  
D710,454 S 8/2014 Barajas et al.  
D741,779 S 10/2015 Hsiao et al.  
9,296,477 B1 3/2016 Coburn  
D768,539 S 10/2016 Lee

(Continued)

**FOREIGN PATENT DOCUMENTS**

CN 302790451 S 4/2014  
CN 302814372 S 5/2014

(Continued)

**OTHER PUBLICATIONS**

U.S. Appl. No. 29/669,041, filed Nov. 5, 2018.

(Continued)

*Primary Examiner* — Dana K Weiland

*Assistant Examiner* — Messina L Smith

(74) *Attorney, Agent, or Firm* — Sterne, Kessler, Goldstein & Fox P.L.L.C.

(57) **CLAIM**

The ornamental design for an aerial vehicle, as shown and described.

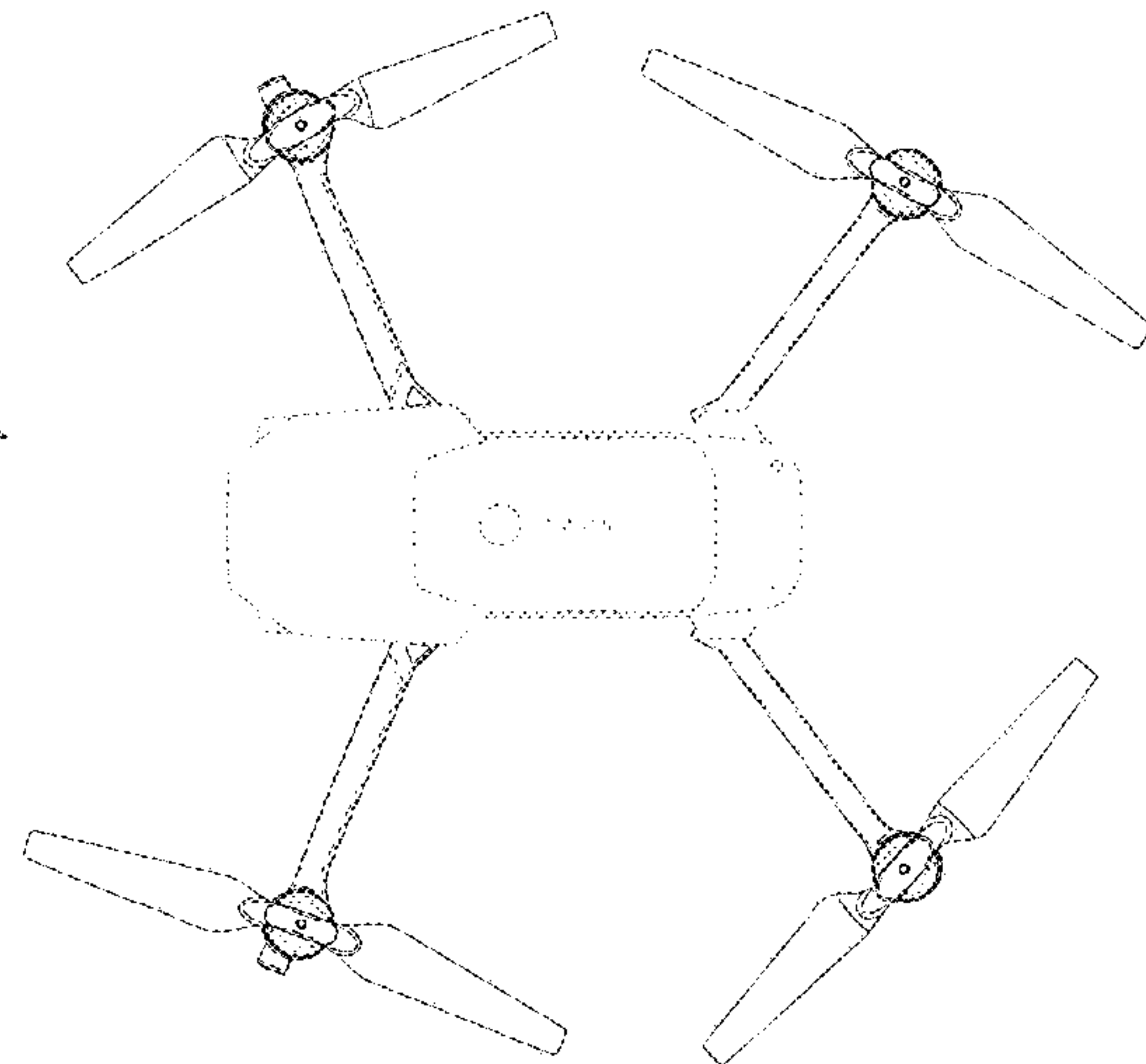
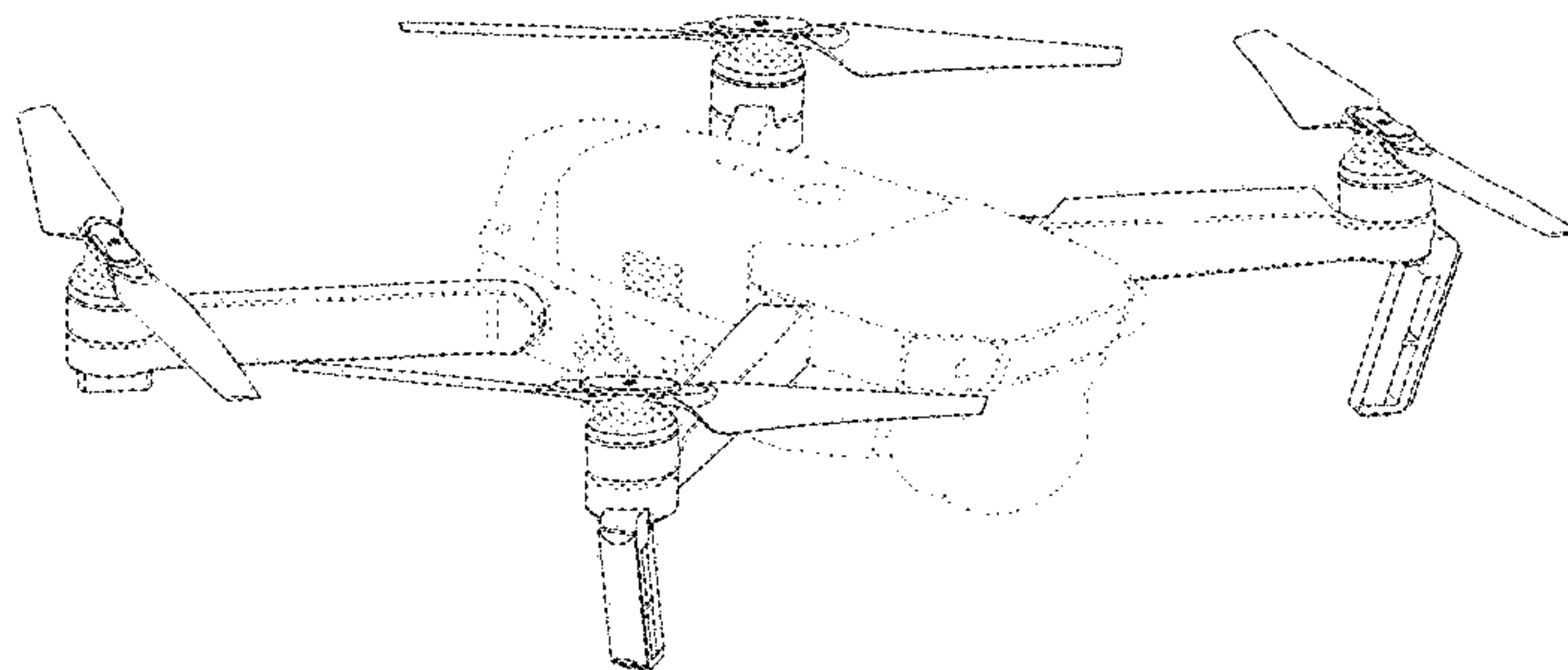
**DESCRIPTION**

FIG. 1 is a top front perspective view of an aerial vehicle showing the claimed design;  
FIG. 2 is a front view thereof;  
FIG. 3 is a rear view thereof;  
FIG. 4 is a left side view thereof;  
FIG. 5 is a right side view thereof;  
FIG. 6 is a top view thereof; and,  
FIG. 7 is a bottom view thereof.

The dashed broken lines in the figures show portions of the aerial vehicle that form no part of the claimed design.

The shade lines in the figures show contour and not surface ornamentation.

**1 Claim, 7 Drawing Sheets**





(56)

References Cited

U.S. PATENT DOCUMENTS

D768,789 S 10/2016 Fargeau et al.  
 D772,991 S 11/2016 Caubel et al.  
 D777,263 S 1/2017 Lavagen et al.  
 D782,365 S 3/2017 Hung  
 9,663,236 B1 5/2017 Shiosaki et al.  
 D793,486 S 8/2017 Lee et al.  
 D795,741 S 8/2017 Li  
 D795,742 S 8/2017 Li  
 D795,743 S 8/2017 Li  
 D797,602 S 9/2017 Li  
 D803,328 S 11/2017 Lee  
 D805,431 S 12/2017 Li  
 D808,301 S 1/2018 Goldy  
 9,896,195 B2 2/2018 Ou  
 D813,724 S 3/2018 Hu  
 D814,970 S 4/2018 Chen et al.  
 D814,973 S 4/2018 Li  
 D816,582 S 5/2018 Liang et al.  
 D818,872 S 5/2018 Ho  
 D818,874 S 5/2018 Tian et al.  
 D819,749 S 6/2018 Caubel et al.  
 10,037,028 B2 7/2018 Loianno  
 D825,379 S 8/2018 Gury et al.  
 D825,381 S 8/2018 Meugnier et al.  
 D827,723 S 9/2018 Barajas et al.  
 D827,724 S 9/2018 Barajas et al.  
 D828,222 S 9/2018 Yu  
 D830,946 S 10/2018 Matus  
 D843,267 S 3/2019 Gao  
 D849,154 S \* 5/2019 Zhao ..... D21/436  
 D850,978 S \* 6/2019 Gao ..... D12/16.1  
 10,317,915 B2 \* 6/2019 Tankersley ..... G05D 1/0094  
 D852,673 S \* 7/2019 Chen ..... D12/16.1  
 D853,279 S \* 7/2019 Gan ..... D12/16.1  
 D853,312 S \* 7/2019 Gao ..... D12/345  
 D854,448 S \* 7/2019 Chen ..... D12/16.1  
 10,336,451 B2 \* 7/2019 Saika ..... B64C 39/024  
 D855,705 S \* 8/2019 Zhao ..... D21/436  
 D856,848 S \* 8/2019 Kim ..... D12/16.1  
 D857,105 S \* 8/2019 Zhang ..... D21/441  
 10,377,484 B2 \* 8/2019 Taylor ..... G01S 5/0268  
 D858,352 S \* 9/2019 Gan ..... D12/16.1  
 D860,047 S \* 9/2019 Gan ..... D12/16.1  
 D860,048 S \* 9/2019 Caubel ..... D12/16.1  
 10,418,853 B2 \* 9/2019 Yang ..... B60L 53/34  
 D861,573 S \* 10/2019 He ..... D12/328  
 D862,285 S \* 10/2019 Tompkin ..... D12/16.1  
 D862,359 S \* 10/2019 Chen ..... D12/328  
 D862,360 S \* 10/2019 Liang ..... D12/328  
 D864,022 S \* 10/2019 Gan ..... D12/16.1  
 D864,083 S \* 10/2019 Zhou ..... D12/328  
 D866,396 S \* 11/2019 Chen ..... D12/16.1  
 D867,470 S \* 11/2019 Haley ..... D21/436  
 10,491,272 B2 \* 11/2019 Gasnier ..... H04B 7/0404  
 D869,375 S \* 12/2019 Kim ..... D12/328  
 D870,638 S \* 12/2019 Kuanliang ..... D12/328  
 10,507,671 B1 \* 12/2019 Wang ..... B41J 3/4073  
 D872,004 S \* 1/2020 Nunes ..... D12/328  
 D873,175 S \* 1/2020 Li ..... D12/16.1  
 D874,338 S \* 2/2020 Zhao ..... D12/16.1  
 10,551,833 B2 \* 2/2020 Kim ..... G05D 1/0038  
 D881,067 S 4/2020 Zhou  
 D882,460 S 4/2020 Chen  
 D883,140 S 5/2020 Chen  
 D884,554 S 5/2020 Chen  
 10,661,891 B2 5/2020 Baek et al.  
 10,683,089 B2 6/2020 Matus  
 2010/0224721 A1 9/2010 Wood et al.  
 2015/0336670 A1 11/2015 Zhang  
 2016/0001879 A1 1/2016 Johannesson et al.  
 2016/0062364 A1 3/2016 Foinet et al.  
 2016/0122017 A1 5/2016 Welker et al.  
 2016/0236777 A1 8/2016 Tang  
 2016/0313732 A1 10/2016 Seydoux et al.  
 2016/0313742 A1 10/2016 Wang

2017/0001721 A1 1/2017 Saika et al.  
 2017/0015418 A1 1/2017 Matus  
 2017/0078552 A1 3/2017 Pochon et al.  
 2017/0178618 A1 6/2017 Beckman et al.  
 2017/0183074 A1 6/2017 Hutson et al.  
 2018/0002023 A1 1/2018 Tian et al.  
 2018/0016022 A1 1/2018 Ljung  
 2018/0032087 A1 2/2018 Line  
 2018/0050799 A1 2/2018 Erhart et al.  
 2018/0093781 A1 4/2018 Mallinson  
 2018/0095468 A1 4/2018 Yang et al.  
 2018/0111685 A1 4/2018 Tian et al.  
 2018/0129913 A1 5/2018 Vauchier et al.  
 2018/0143636 A1 5/2018 Pinto  
 2018/0149947 A1 5/2018 Kim  
 2018/0183496 A1 6/2018 Gasnier et al.  
 2018/0208301 A1 7/2018 Ye  
 2019/0039719 A1 2/2019 Baek et al.  
 2019/0130889 A1 \* 5/2019 Matus, Jr. .... G10K 11/178  
 2019/0135432 A1 \* 5/2019 Matus ..... G06K 9/00342  
 2019/0144100 A1 5/2019 Samir  
 2019/0161178 A1 \* 5/2019 Lin ..... B64C 27/008  
 2019/0185169 A1 \* 6/2019 Xu ..... H01M 2/263  
 2019/0210720 A1 \* 7/2019 Beckman ..... B64C 27/57  
 2019/0217939 A1 \* 7/2019 Xiong ..... B64C 1/068  
 2019/0241259 A1 \* 8/2019 Tsutsumi ..... B64C 39/02  
 2019/0248486 A1 \* 8/2019 Chen ..... B64C 27/006  
 2019/0256203 A1 \* 8/2019 Park ..... H02K 7/00  
 2019/0258139 A1 \* 8/2019 Overall ..... B64C 27/08  
 2019/0263530 A1 8/2019 Pike  
 2019/0303990 A1 \* 10/2019 Quinn ..... G05D 1/0044  
 2019/0315235 A1 \* 10/2019 Kung ..... B64F 1/22  
 2019/0322342 A1 \* 10/2019 Dabbous ..... E21B 41/04  
 2019/0324447 A1 \* 10/2019 Ryan ..... G05D 1/0016  
 2019/0337618 A1 11/2019 Zhou et al.  
 2019/0344679 A1 \* 11/2019 Miller ..... B60Q 1/50  
 2019/0344889 A1 \* 11/2019 Saika ..... B64C 39/024  
 2019/0346562 A1 \* 11/2019 Peng ..... G01S 13/86  
 2019/0367167 A1 \* 12/2019 Luo ..... B60L 58/12  
 2019/0375510 A1 \* 12/2019 Qiu ..... B64D 47/08  
 2020/0001990 A1 \* 1/2020 Jiang ..... B64D 35/00  
 2020/0023964 A1 \* 1/2020 Valente ..... B64C 29/0033  
 2020/0023995 A1 \* 1/2020 Song ..... B64D 47/08  
 2020/0031471 A1 \* 1/2020 Datta Gupta ..... B60K 15/04  
 2020/0041623 A1 \* 2/2020 Keyetieu ..... G01S 17/89  
 2020/0041996 A1 \* 2/2020 Bachrach ..... B64C 39/00  
 2020/0043184 A1 \* 2/2020 Zhang ..... G05D 1/12  
 2020/0044463 A1 \* 2/2020 Kim ..... B64C 39/02  
 2020/0062393 A1 2/2020 Yoon et al.  
 2020/0102061 A1 4/2020 Cai et al.  
 2020/0108914 A1 4/2020 Yoo et al.  
 2020/0148350 A1 5/2020 Nong et al.  
 2020/0156789 A1 5/2020 Xiao et al.  
 2020/0164957 A1 5/2020 Xu  
 2020/0165008 A1 5/2020 Krauss et al.  
 2020/0184706 A1 6/2020 Speasl et al.  
 2020/0184829 A1 6/2020 Jager

FOREIGN PATENT DOCUMENTS

CN 302948755 S 9/2014  
 CN 303142773 S 3/2015  
 CN 303189591 S 4/2015  
 CN 303197220 S 5/2015  
 CN 303255986 S 6/2015  
 CN 303274617 S 7/2015  
 CN 303357300 S 9/2015  
 CN 303386206 S 9/2015  
 CN 303403033 S 10/2015  
 CN 303414891 S 10/2015  
 CN 303478219 S 12/2015  
 CN 303491327 S 12/2015  
 CN 303562865 S 1/2016  
 CN 303562867 S 1/2016  
 CN 205971800 U 2/2017  
 CN 205998124 U 3/2017  
 JP D1498091 5/2014  
 JP D1538530 11/2015

(56)

**References Cited**

FOREIGN PATENT DOCUMENTS

KR	30-0819718	10/2015
WO	WO 2010-036419 A2	4/2010
WO	WO D088991-0002	1/2016

OTHER PUBLICATIONS

Mavic, posted at DJI.com, posted on © 2017, site visited Apr. 11, 2017, <<http://www.dji.com/mavic>>.

DJI Mavic Pro review, posted on CNET.com, posted on Nov. 12, 2016, site visited Apr. 11, 2017, <<https://www.cnet.com/products/dji-mavic-pro/review/>>.

The DJI Mavic Is Here!, posted at Topfivedrones.com, posted on Sep. 29, 2016, <<http://topfivedrones.com/the-dji-mavic-is-here/>>.

\* cited by examiner

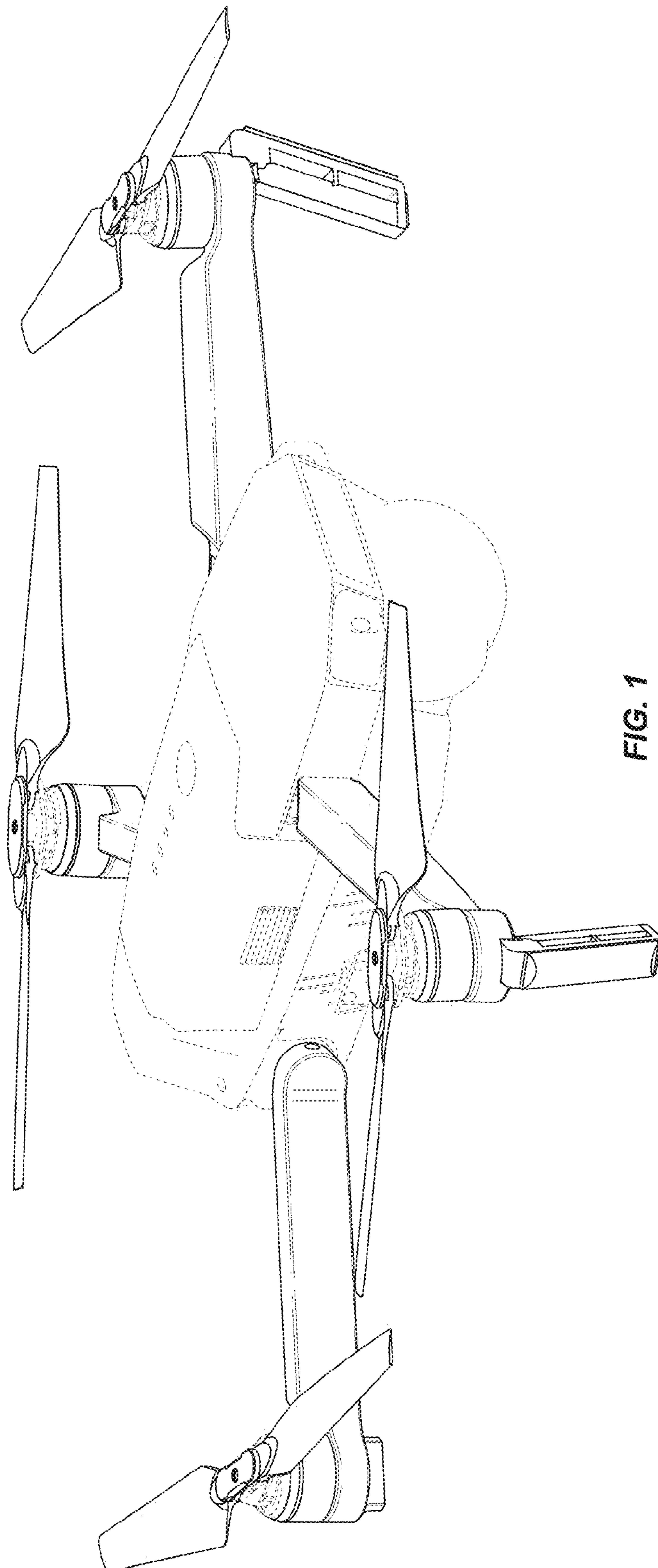


FIG. 1



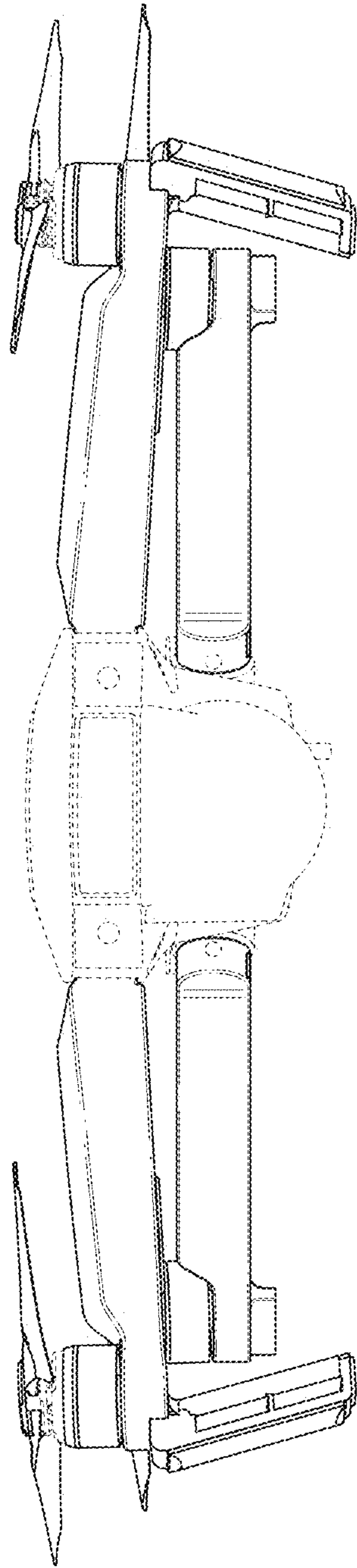


FIG. 2

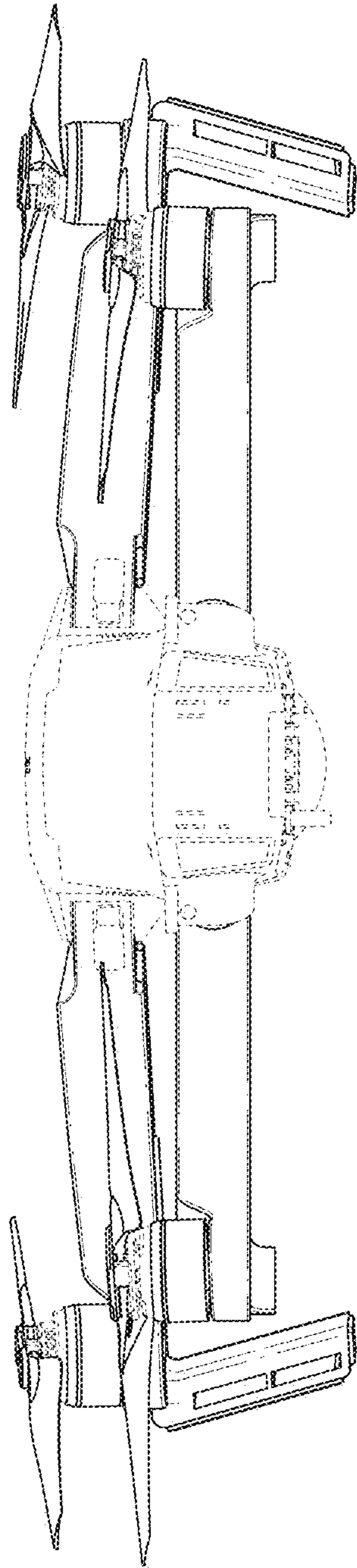


FIG. 3

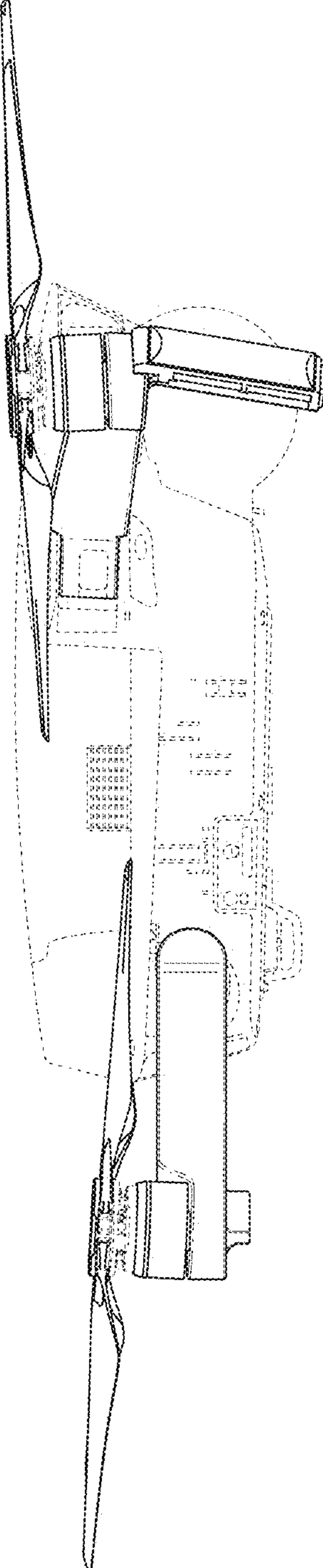


FIG. 4

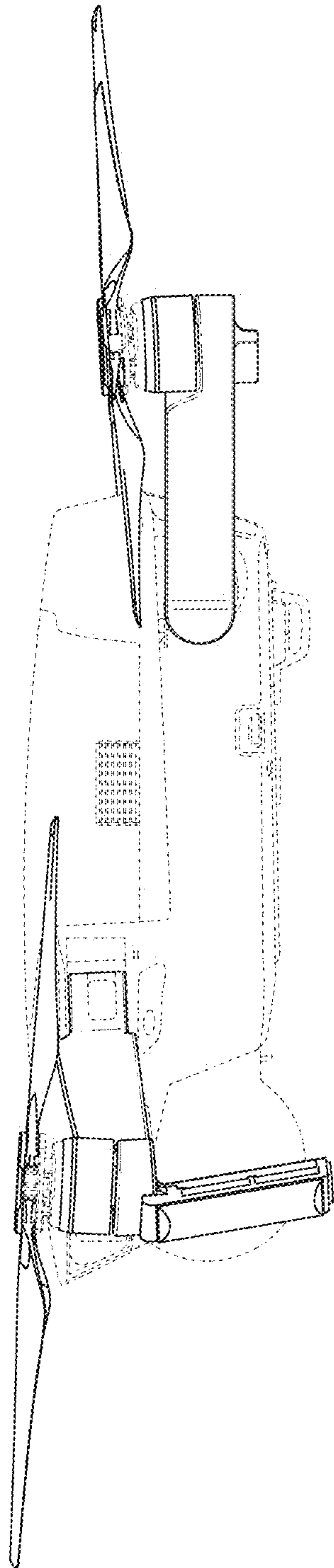


FIG. 5



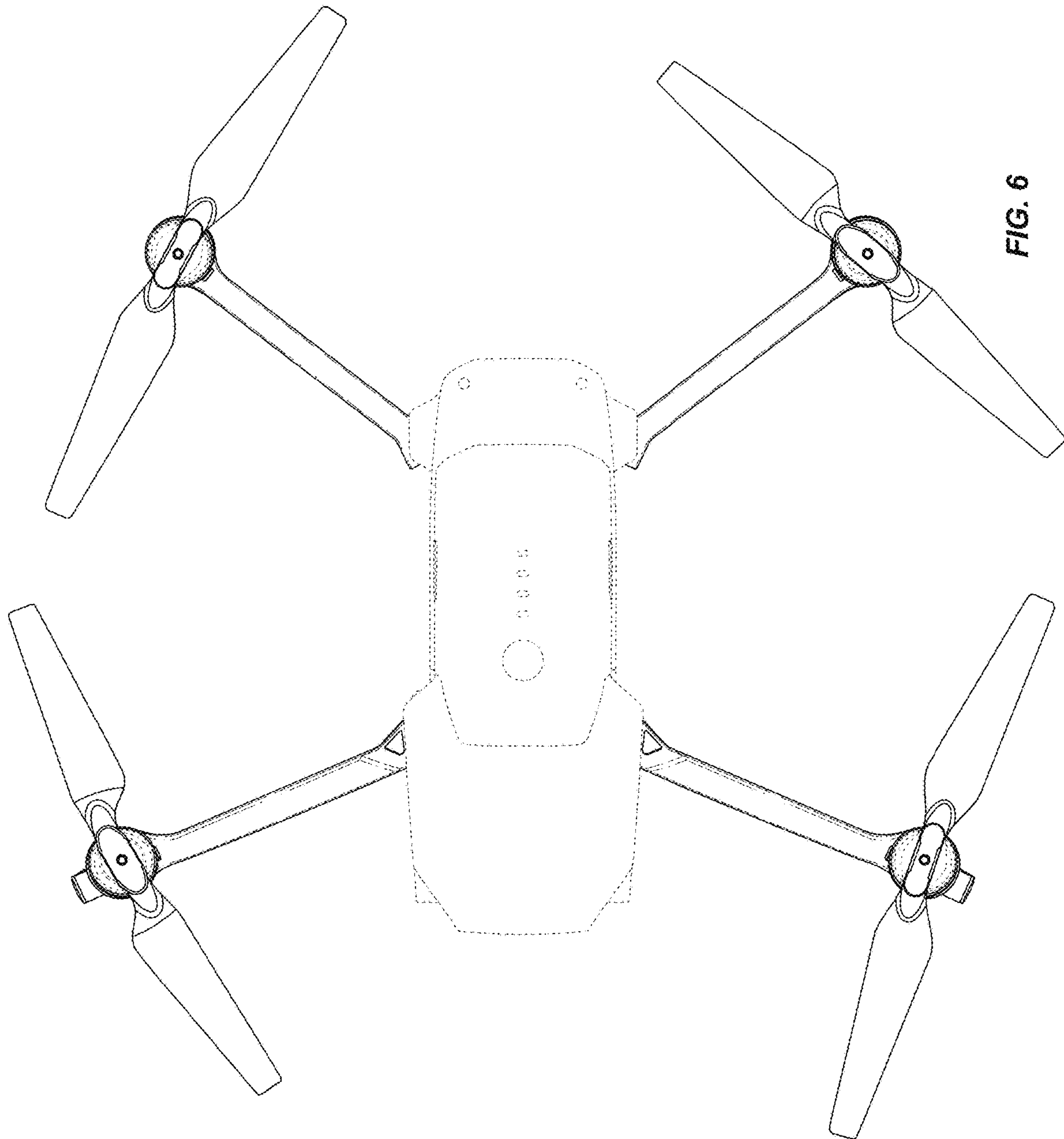


FIG. 6

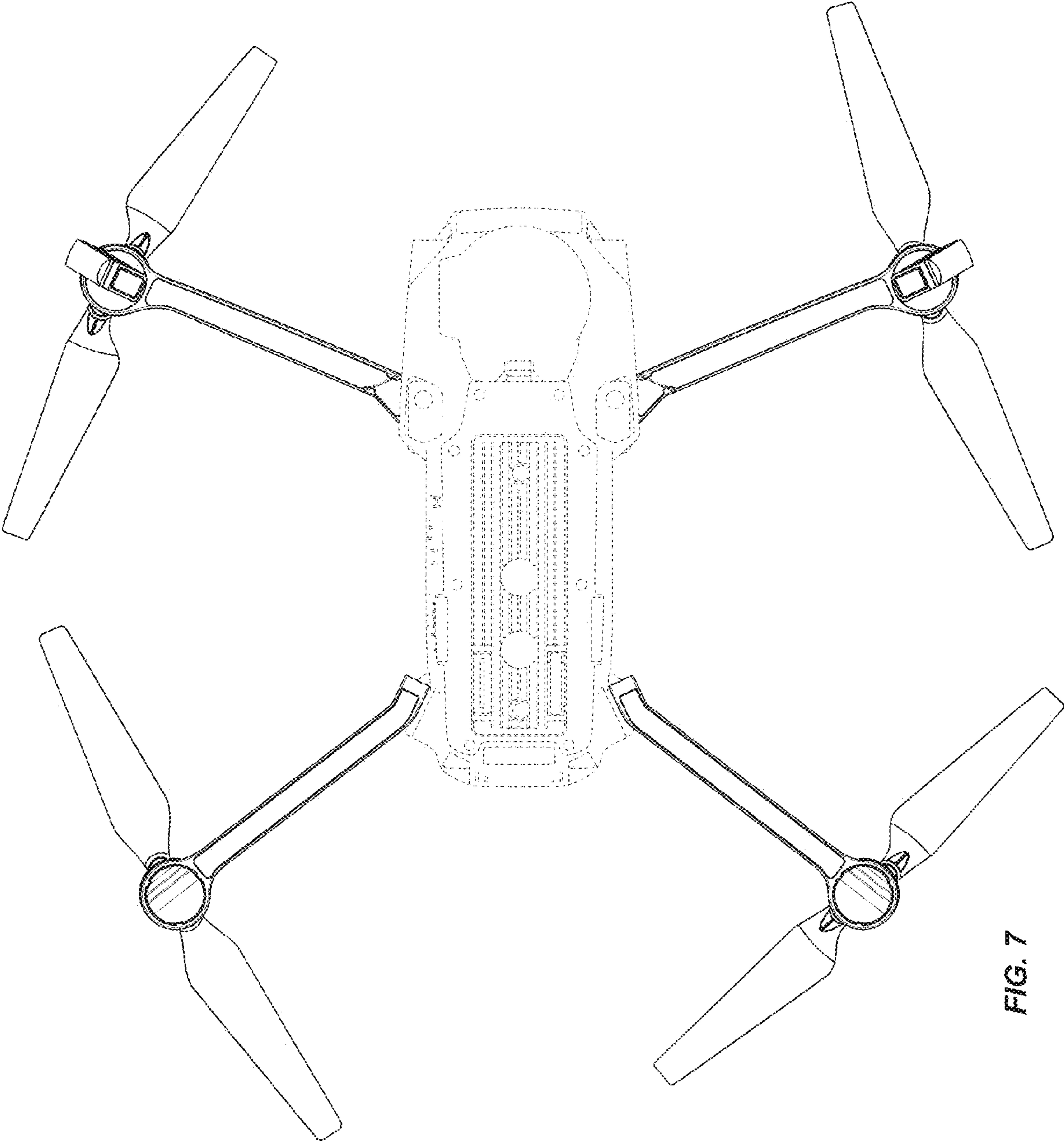


FIG. 7