



US00D905594S

(12) **United States Design Patent** (10) **Patent No.:** **US D905,594 S**
Hung et al. (45) **Date of Patent:** **** Dec. 22, 2020**

(54) **SLIDER**

(71) Applicant: **IDEAL FASTENER (GUANGDONG) INDUSTRIES LTD.**, Guangdong (CN)

(72) Inventors: **Franklin Chi Yen Hung**, Guangdong (CN); **Guoliang Qiu**, Guangdong (CN); **Wei Qiu**, Guangdong (CN); **Wenqi Zhang**, Guangdong (CN); **Zongjian Lyu**, Guangdong (CN); **Jianan Zeng**, Guangdong (CN); **Fukang Wu**, Guangdong (CN)

(73) Assignee: **IDEAL FASTENER (GUANGDONG) INDUSTRIES LTD.**, Zhaoqing (CN)

(**) Term: **15 Years**

(21) Appl. No.: **29/676,474**

(22) Filed: **Jan. 11, 2019**

Related U.S. Application Data

(62) Division of application No. 29/593,886, filed on Feb. 14, 2017, now Pat. No. Des. 848,311.

(30) **Foreign Application Priority Data**

Dec. 30, 2016 (CN) 2016 3 0659207

(51) **LOC (12) Cl.** **02-07**

(52) **U.S. Cl.**
USPC **D11/221**

(58) **Field of Classification Search**
USPC D11/200, 201, 221; D2/607, 732
CPC A44B 19/00; A44B 19/10; A44B 19/26; A44B 19/262; A44B 19/32; A44B 19/24; A44B 19/308; A44B 19/36; A44B 19/42; A44B 19/34; A44B 19/04; A44B 19/60

See application file for complete search history.

(56) **References Cited**

U.S. PATENT DOCUMENTS

D471,134	S	*	3/2003	Yoneoka	D11/221
D646,195	S	*	10/2011	Gut	D11/221
D804,988	S	*	12/2017	Hung	D11/221
D813,090	S	*	3/2018	Hung	D11/221
9,936,774	B2	*	4/2018	Hsu	A44B 19/262
D831,536	S	*	10/2018	Hung	D11/221
D848,311	S	*	5/2019	Hung	D11/221
10,624,428	B2	*	4/2020	Hung	A44B 19/306
10,638,818	B2	*	5/2020	Hung	A44B 19/26
2017/0224062	A1	*	8/2017	Hsu	A44B 19/36
2018/0132572	A1	*	5/2018	Hung	A44B 19/26
2019/0059525	A1	*	2/2019	Hung	A44B 19/26

* cited by examiner

Primary Examiner — Michelle E. Wilson

Assistant Examiner — Tracey J Bell

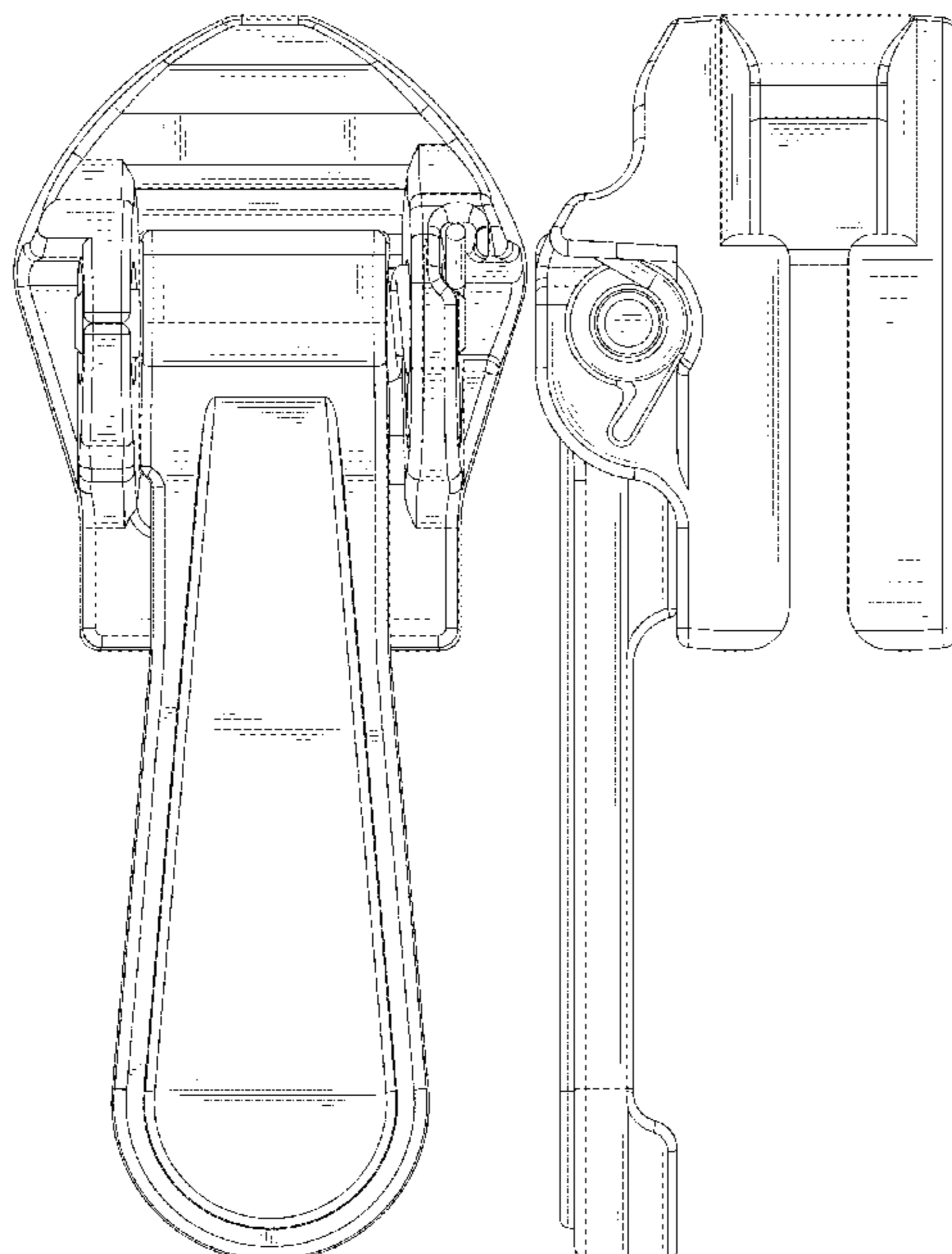
(57) **CLAIM**

The ornamental design for a slider, as shown and described.

DESCRIPTION

FIG. 1 is a bottom, front and right side perspective view of a slider showing our new design;
FIG. 2 is a bottom, front and left side perspective view thereof;
FIG. 3 is a bottom, rear and left side perspective view thereof;
FIG. 4 is a front elevational view thereof;
FIG. 5 is a rear elevational view thereof;
FIG. 6 is a left side view thereof;
FIG. 7 is a right side view thereof;
FIG. 8 is a top plan view thereof; and,
FIG. 9 is a bottom plan view thereof.

1 Claim, 9 Drawing Sheets



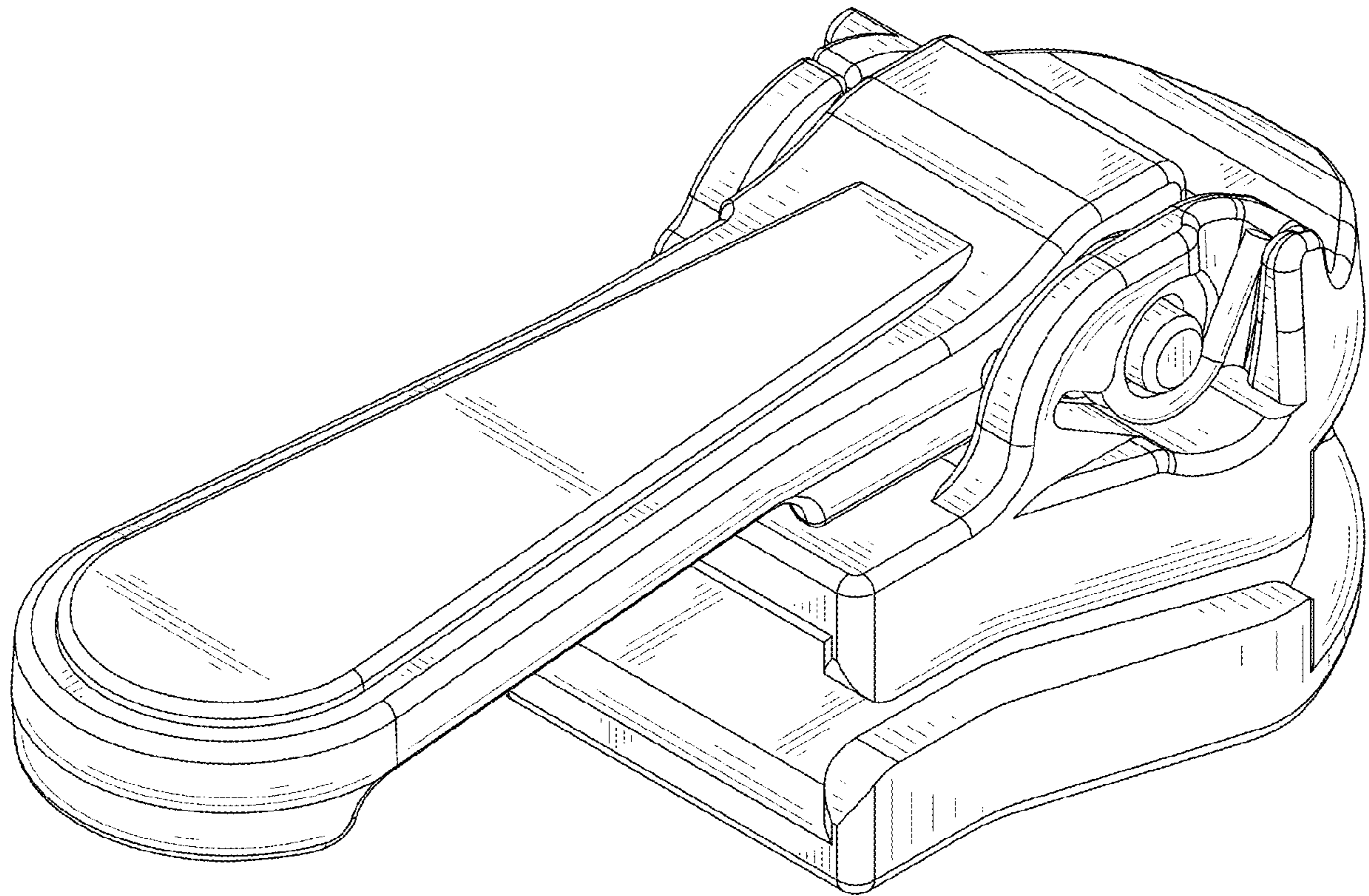


FIG. 1

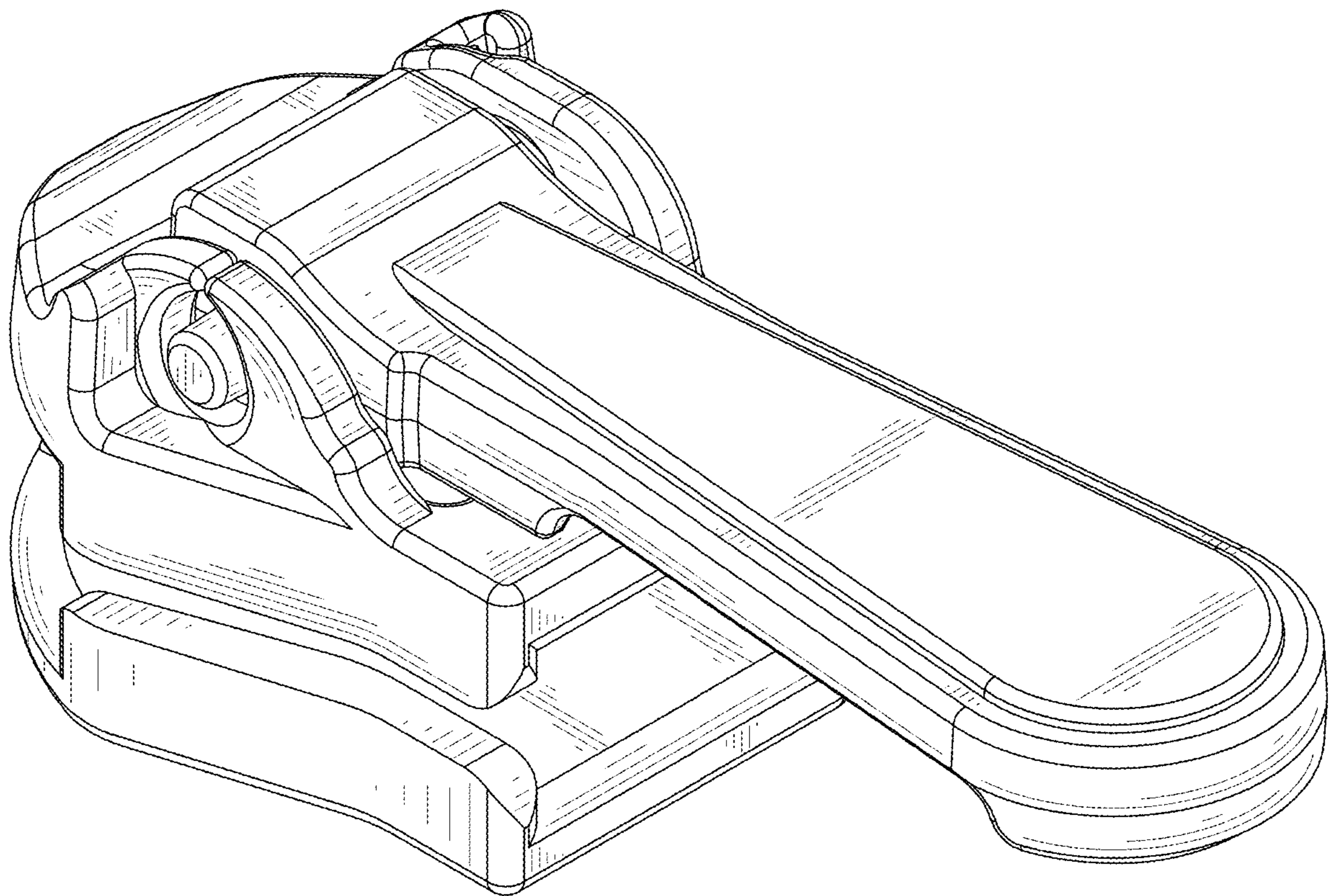


FIG. 2

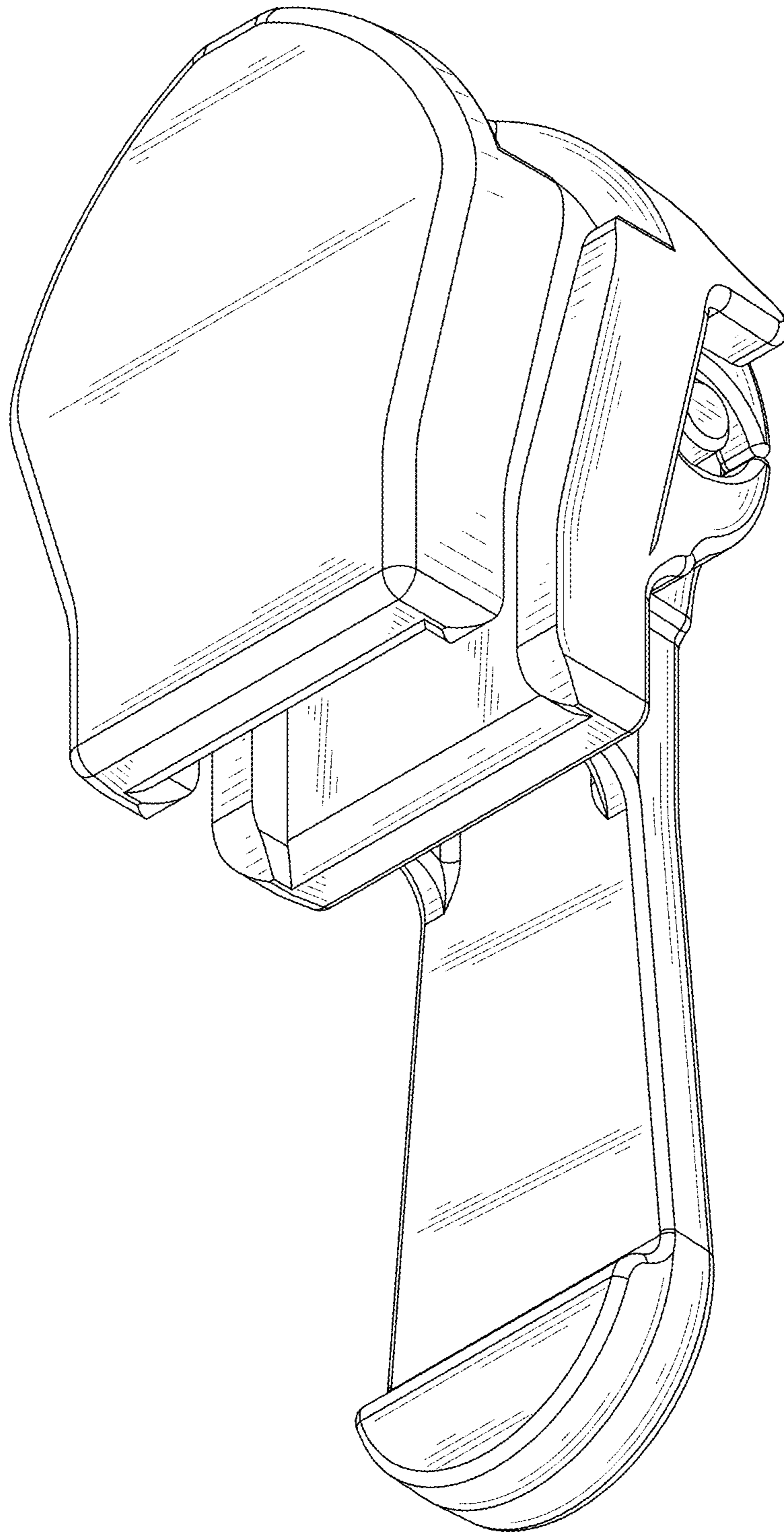


FIG. 3

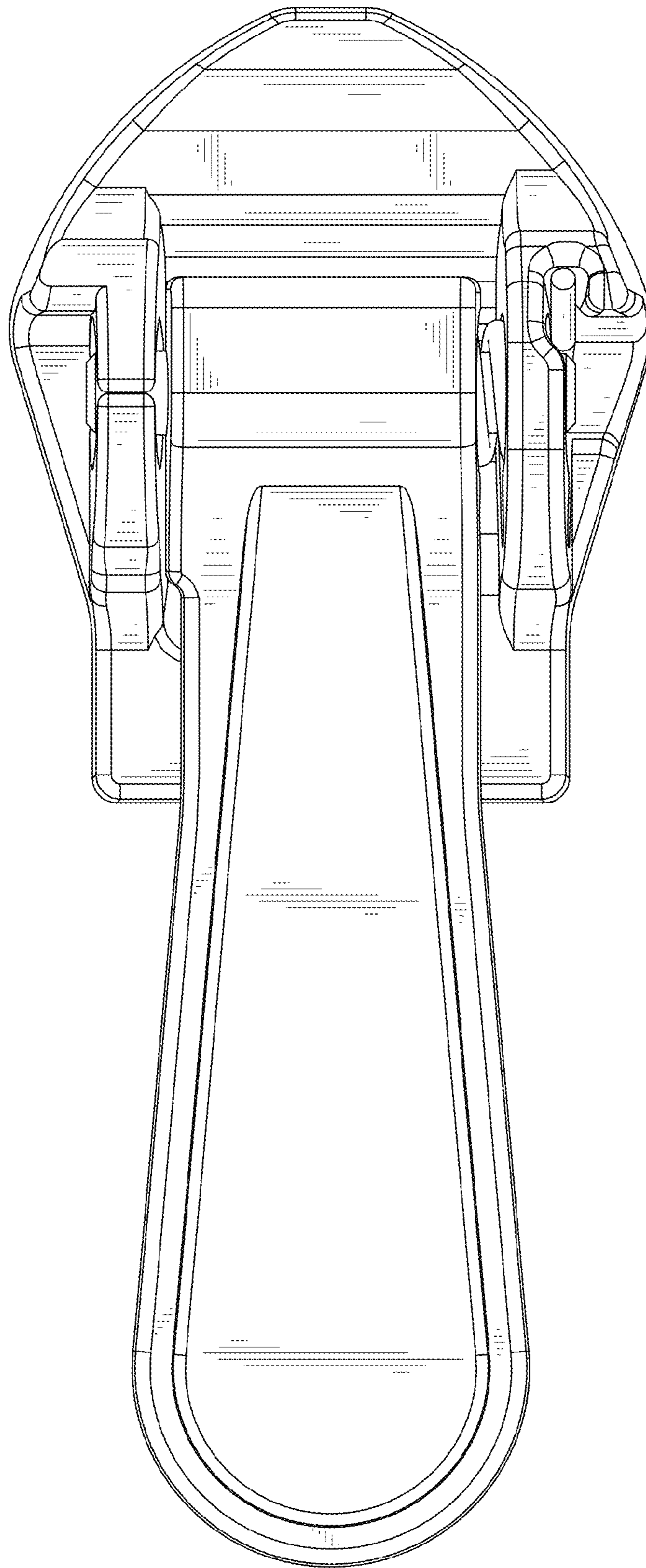


FIG. 4

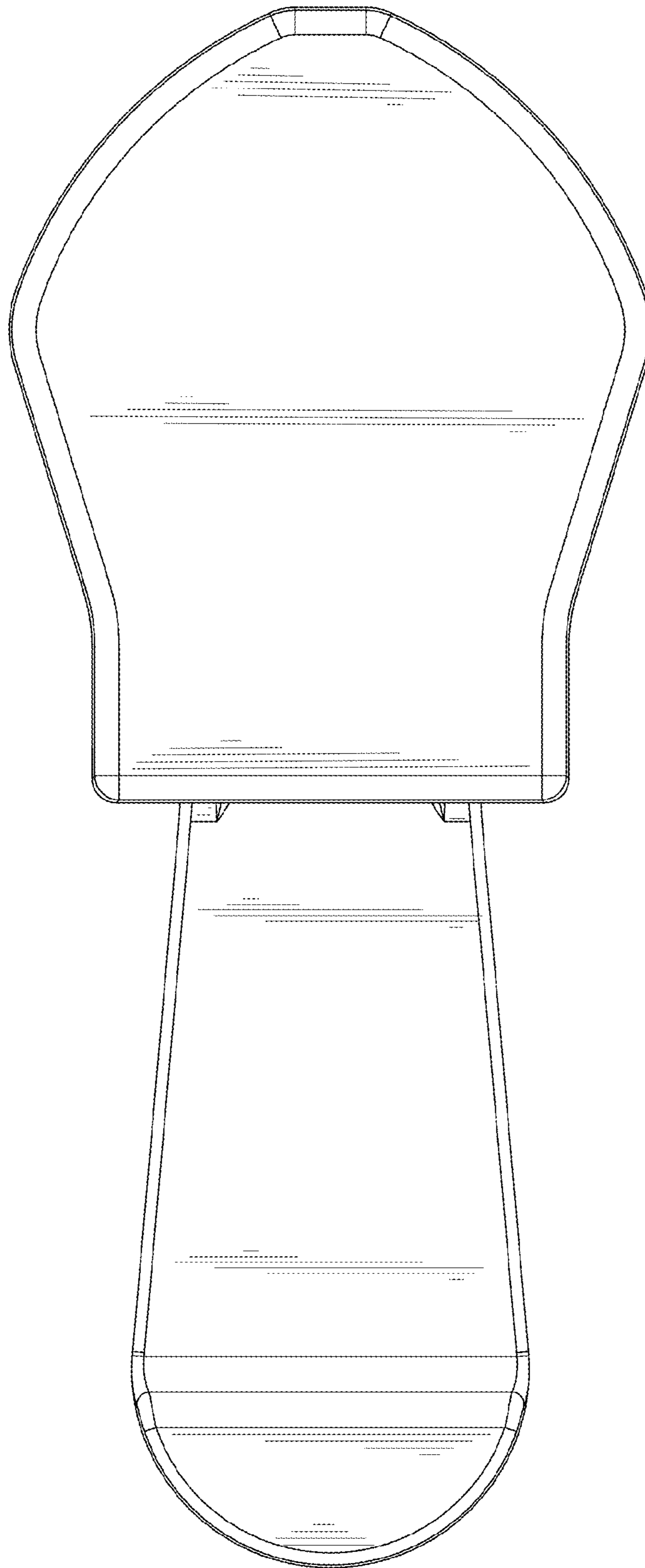


FIG. 5

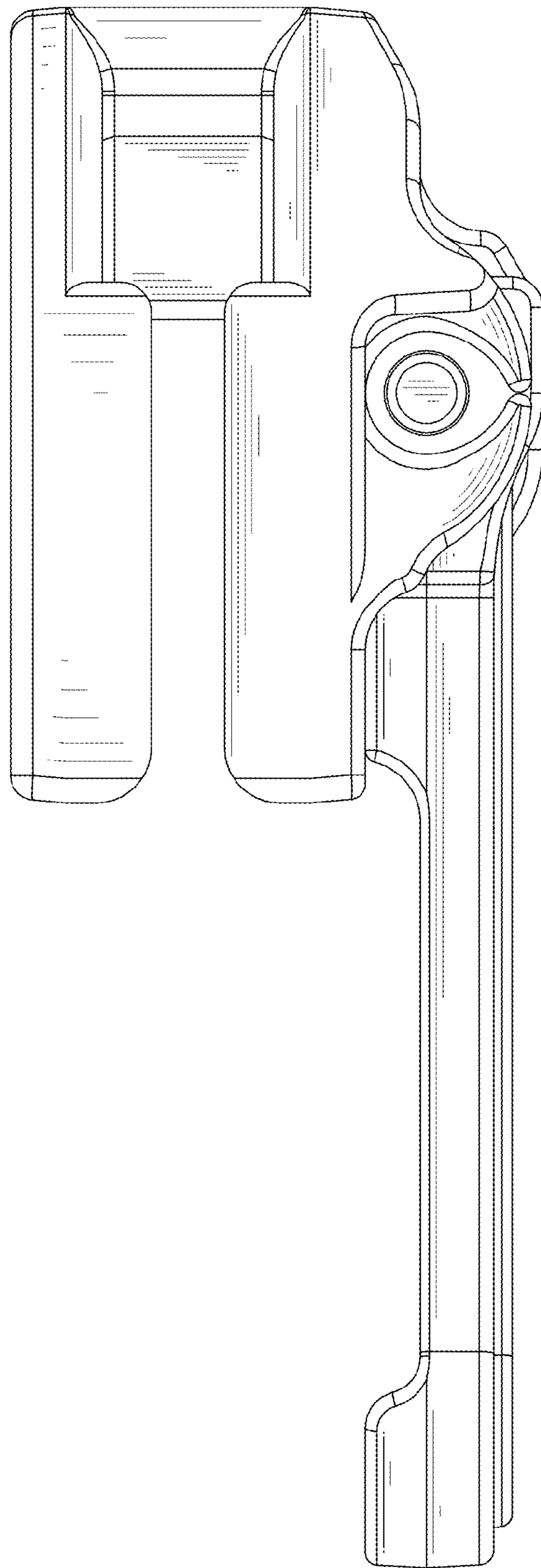


FIG. 6

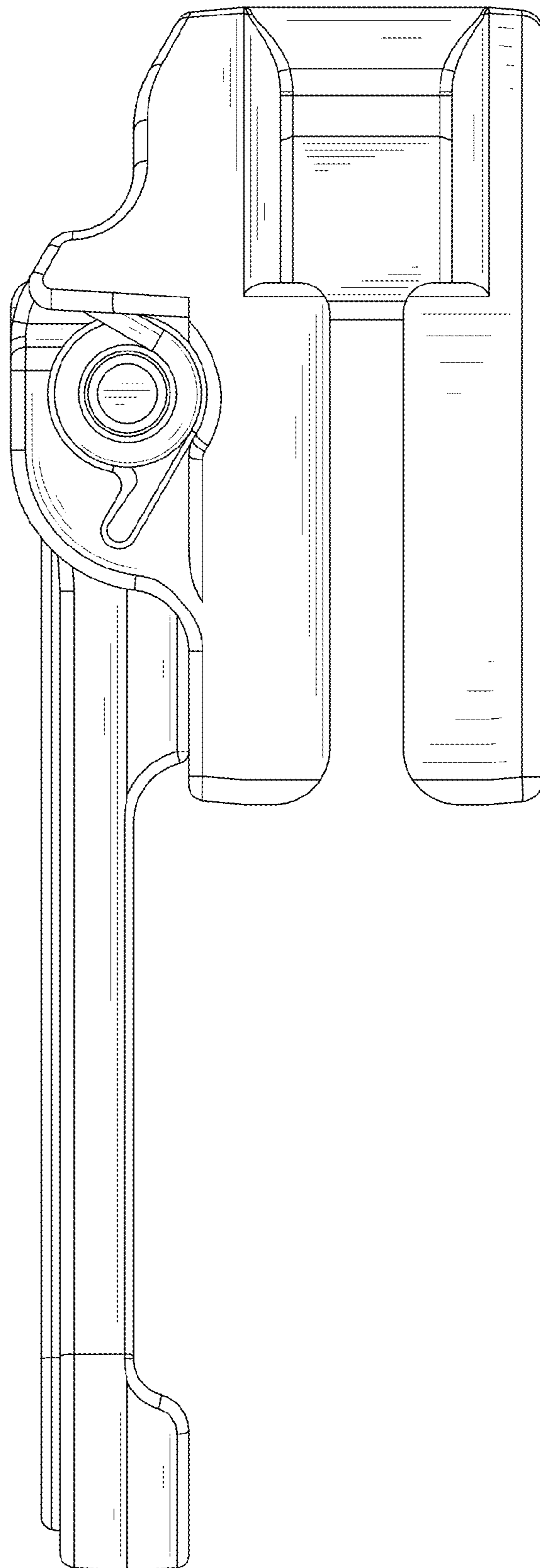


FIG. 7

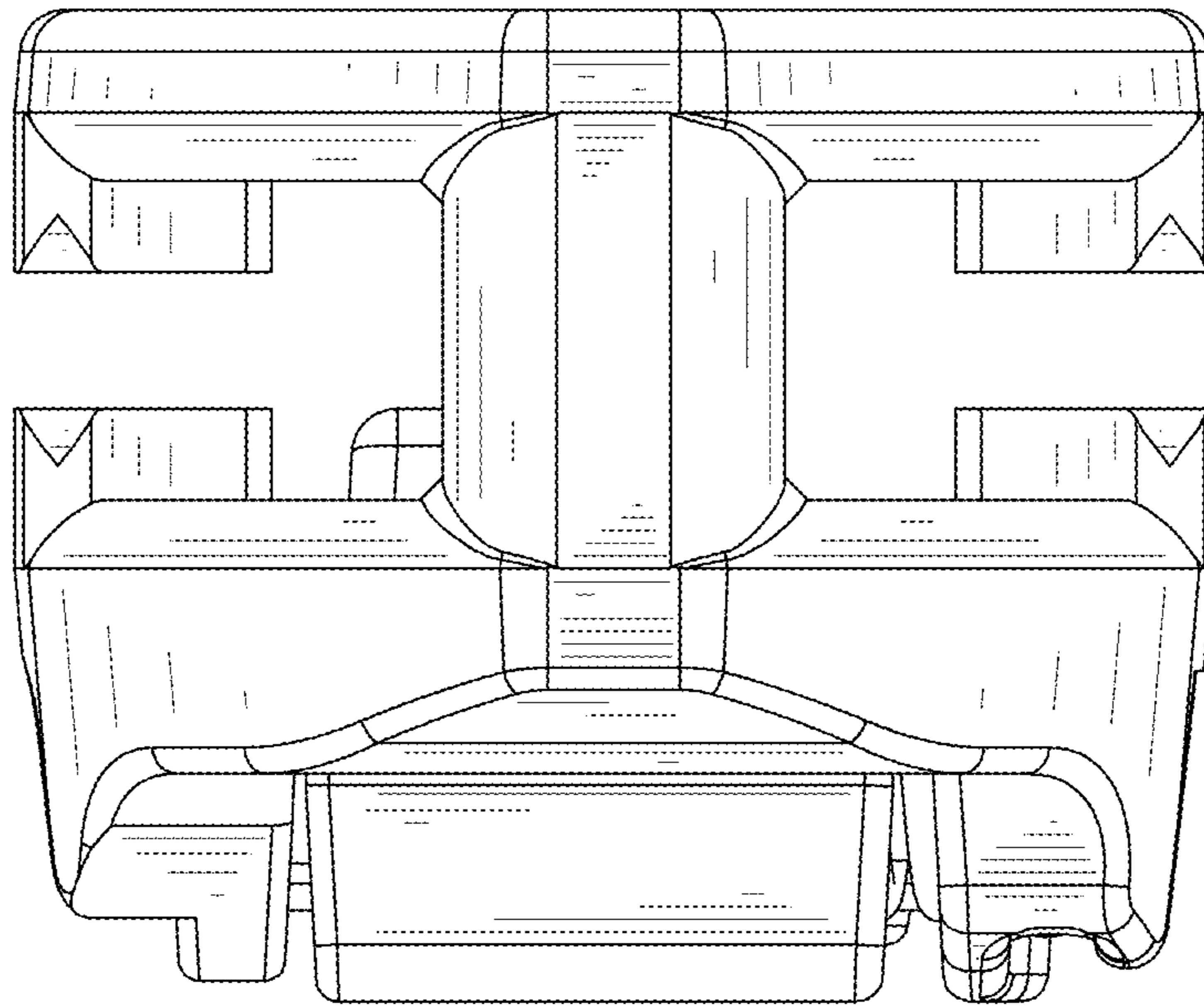


FIG. 8

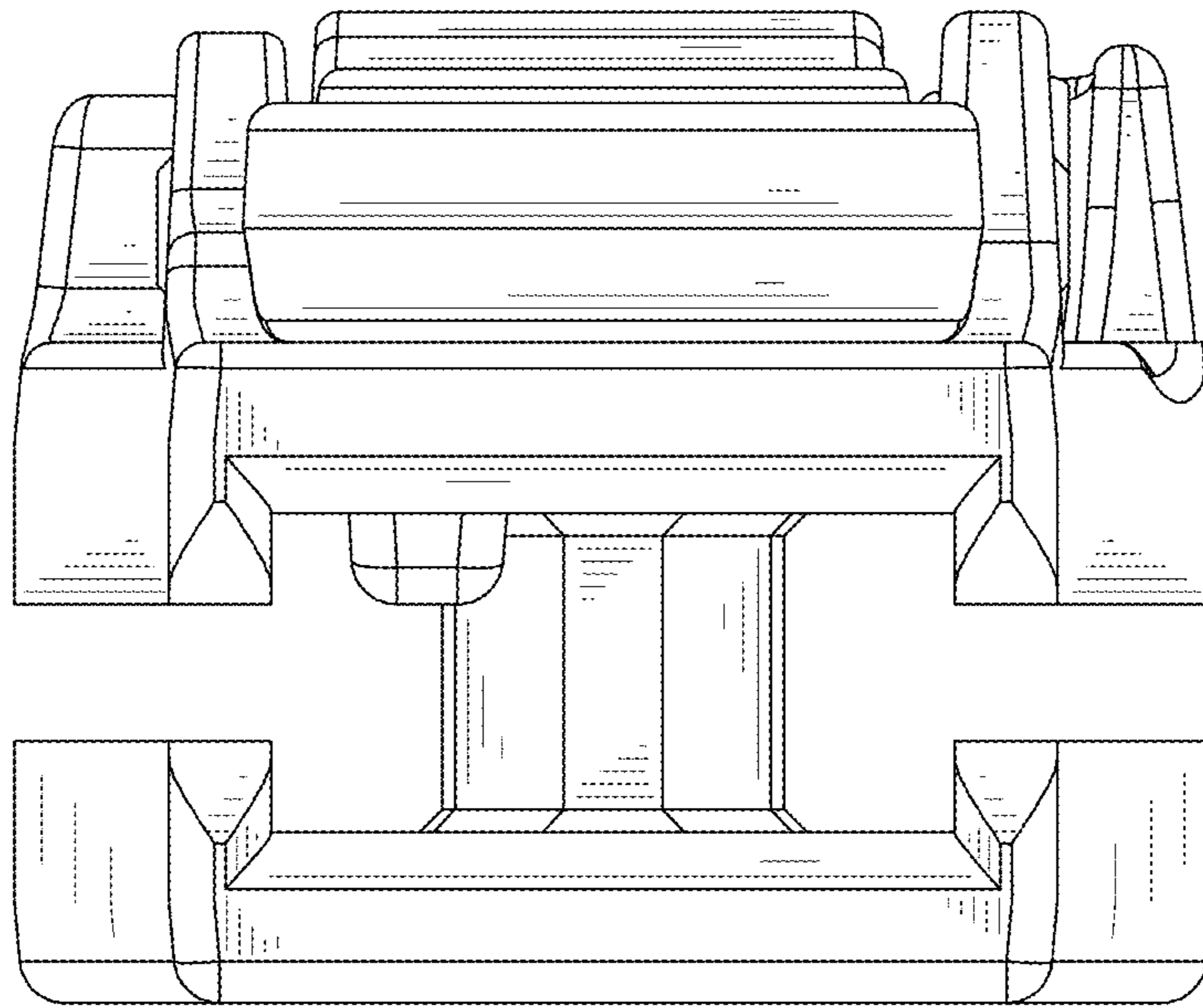


FIG. 9