



US00D905590S

(12) **United States Design Patent**
Matsuki

(10) **Patent No.:** **US D905,590 S**
(45) **Date of Patent:** **** Dec. 22, 2020**

- (54) **WATCH STRAP CONNECTOR**
- (71) Applicant: **AP BANDS, INC.**, Kew Gardens, NY (US)
- (72) Inventor: **Hisakata Matsuki**, Kew Gardens, NY (US)
- (73) Assignee: **AP BANDS, INC.**, Kew Gardens, NY (US)
- (**) Term: **15 Years**
- (21) Appl. No.: **29/670,810**
- (22) Filed: **Nov. 20, 2018**
- (51) **LOC (12) Cl.** **11-01**
- (52) **U.S. Cl.**
USPC **D11/94**
- (58) **Field of Classification Search**
USPC D11/1-29, 86-88, 94; D10/30, 32, 38
CPC .. A44C 5/00; A44C 5/18; A44C 5/185; A44C 5/20; A44C 5/14
See application file for complete search history.

| | | | | |
|-----------------|---------|--------------|-------|-----------------------|
| 5,168,480 A * | 12/1992 | Dodier | | A44C 5/00 224/164 |
| 5,331,610 A * | 7/1994 | Kikuchi | | A44C 5/14 224/164 |
| 5,363,351 A * | 11/1994 | Carney | | A44C 5/14 368/282 |
| 5,657,515 A * | 8/1997 | Bert | | A44C 5/14 24/265 B |
| D473,818 S | 4/2003 | Salvisberg | | |
| 7,954,680 B2 * | 6/2011 | Ishihara | | A44C 5/14 224/177 |
| D748,010 S | 1/2016 | Akana et al. | | |
| 10,149,520 B2 * | 12/2018 | Mace | | A44C 5/145 |

* cited by examiner

Primary Examiner — Zenia I Bennett

(74) *Attorney, Agent, or Firm* — Amster, Rothstein & Ebenstein, LLP

(57) **CLAIM**

The ornamental design for a watch strap connector, as shown and described.

DESCRIPTION

FIG. 1 is a bottom perspective view of the watch strap connector showing my new design; FIG. 2 is a bottom view thereof; FIG. 3 is a top view thereof; FIG. 4 is a right side view thereof; FIG. 5 is a left side view thereof; FIG. 6 is a front view thereof; FIG. 7 is a rear view thereof; and, FIG. 8 is top perspective view of the watch strap connector thereof.

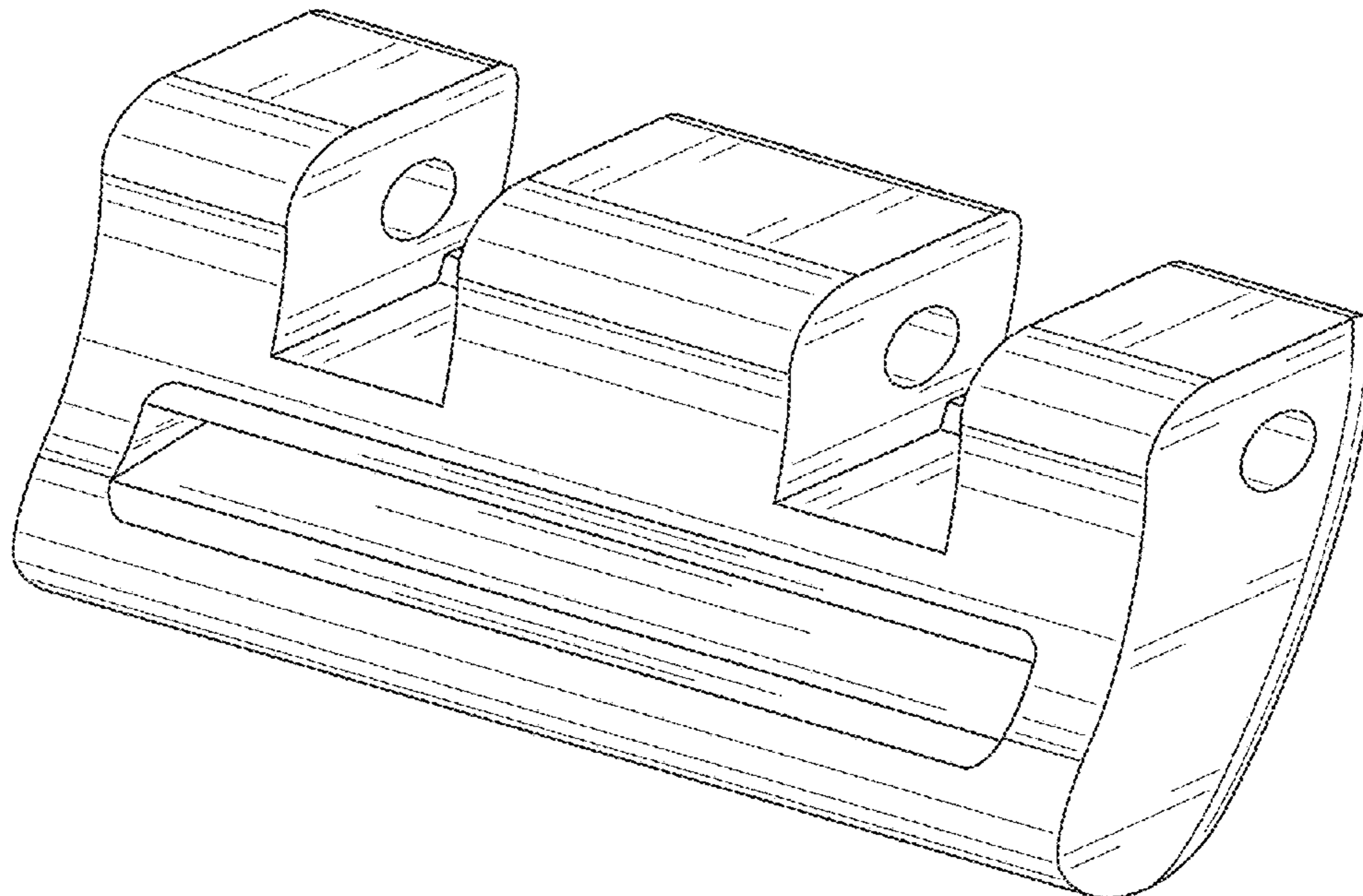
The portion(s) of the design shown in broken lines being for the purpose of illustrating environment only and form no part of the claimed design.

1 Claim, 7 Drawing Sheets

(56) **References Cited**

U.S. PATENT DOCUMENTS

| | | | | |
|---------------|---------|---------|-------|--------------------------|
| 1,709,179 A * | 4/1929 | Lederer | | A44C 5/14 24/265 WS |
| 3,675,284 A * | 7/1972 | Rieth | | A44C 5/14 24/265 B |
| 3,678,544 A * | 7/1972 | Bert | | G04B 37/1486 24/265 B |
| 4,561,077 A * | 12/1985 | Mock | | G04B 37/1486 368/282 |
| 4,785,982 A * | 11/1988 | Iwamura | | G04B 37/1486 224/177 |
| 4,825,427 A * | 4/1989 | Wollman | | A44C 5/14 368/281 |



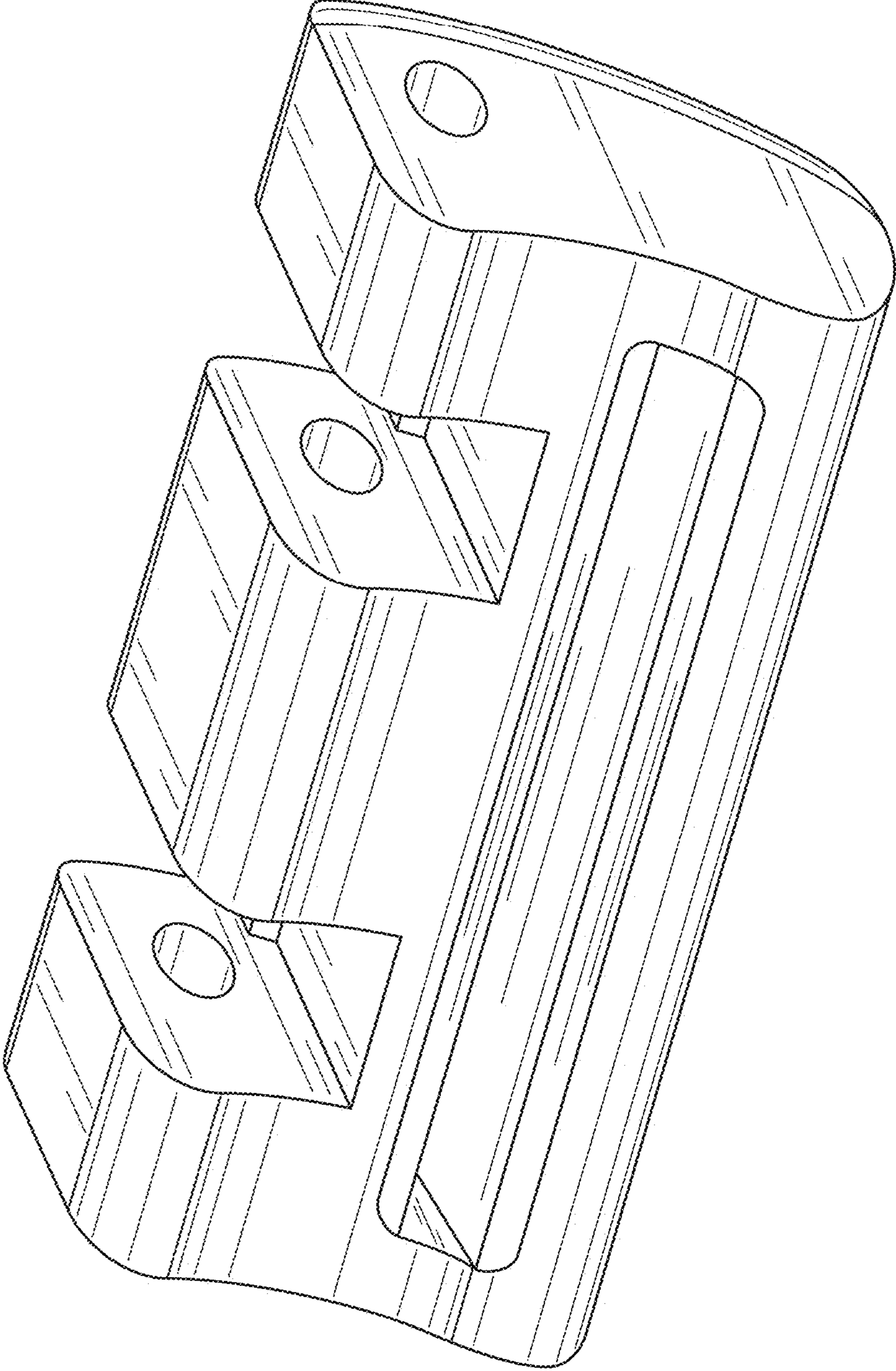


FIG. 1

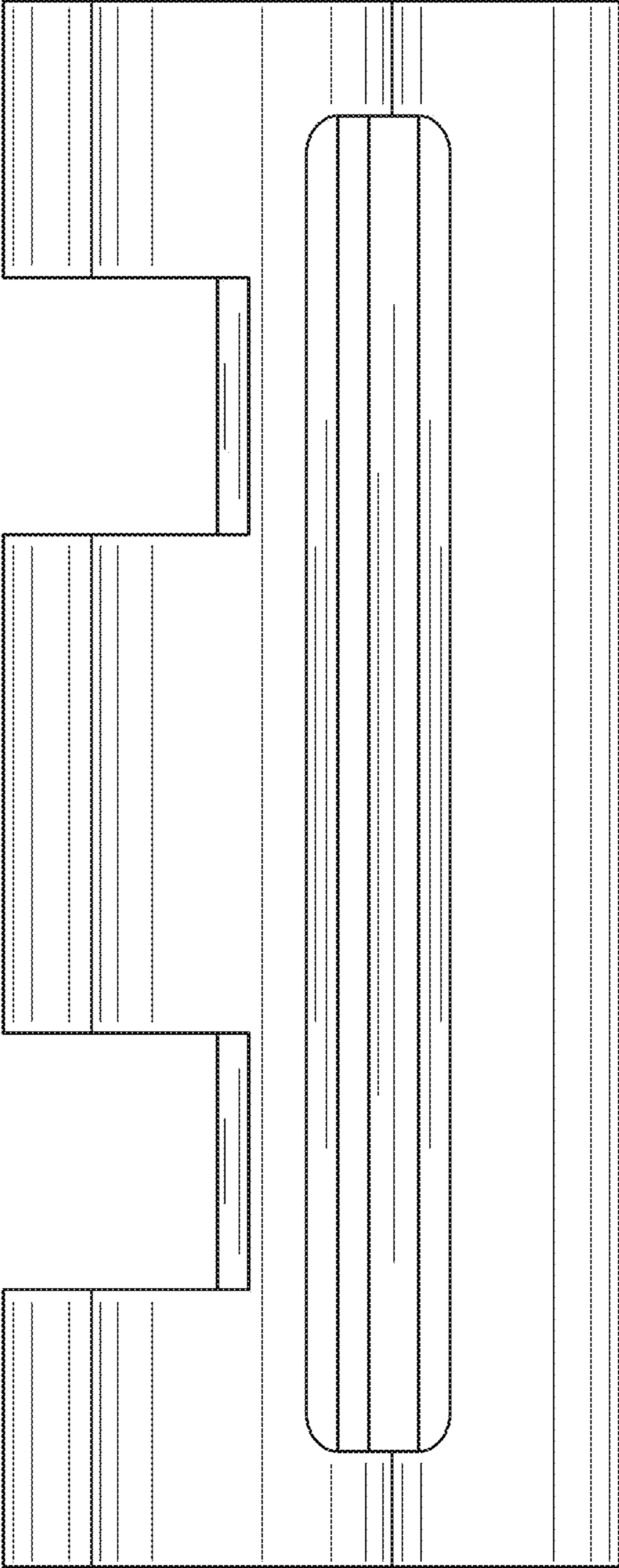


FIG. 2

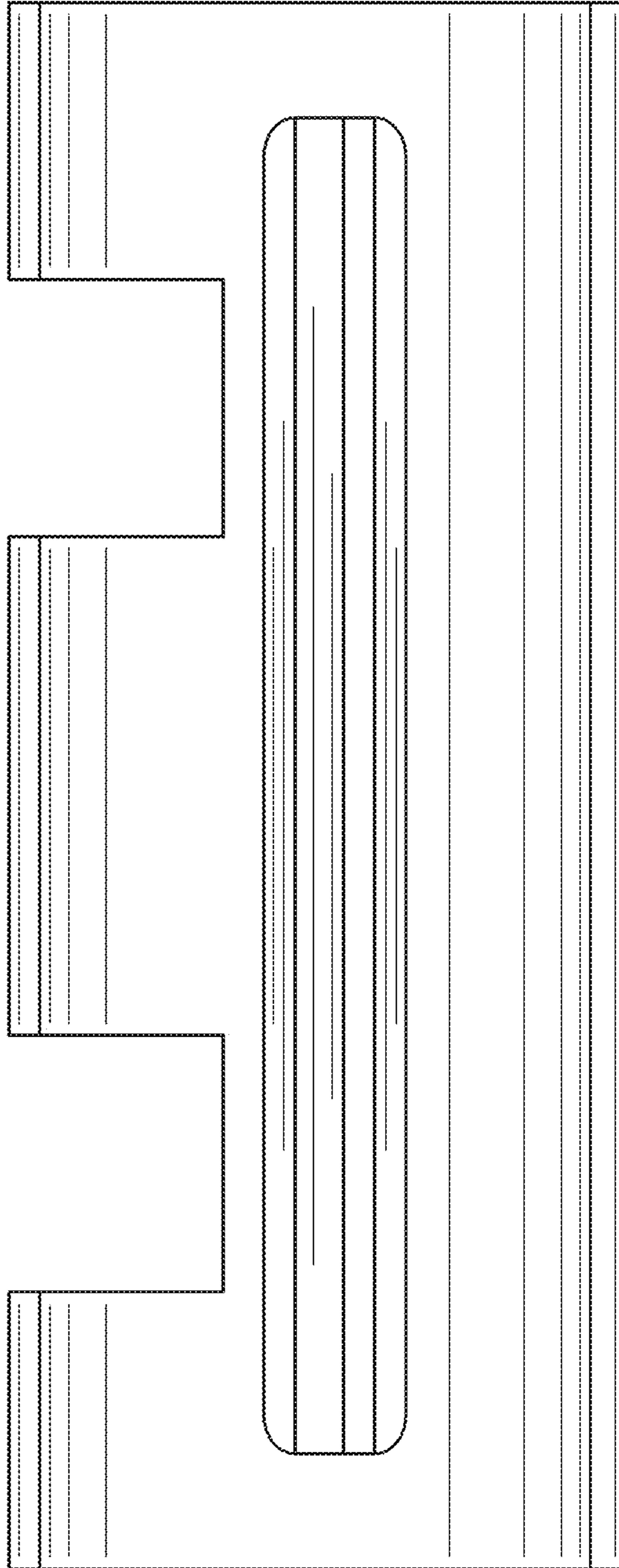


FIG. 3

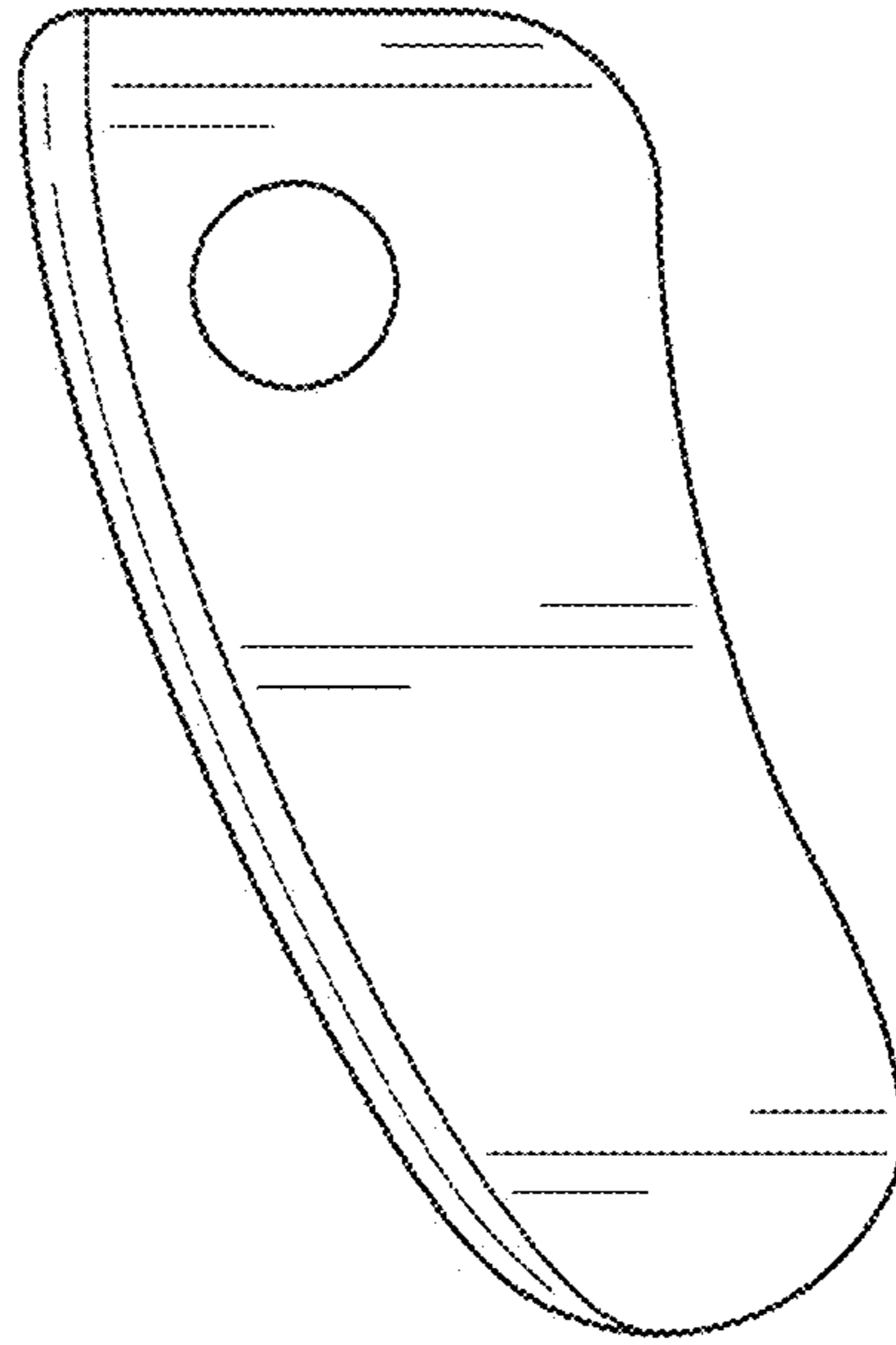


FIG. 4

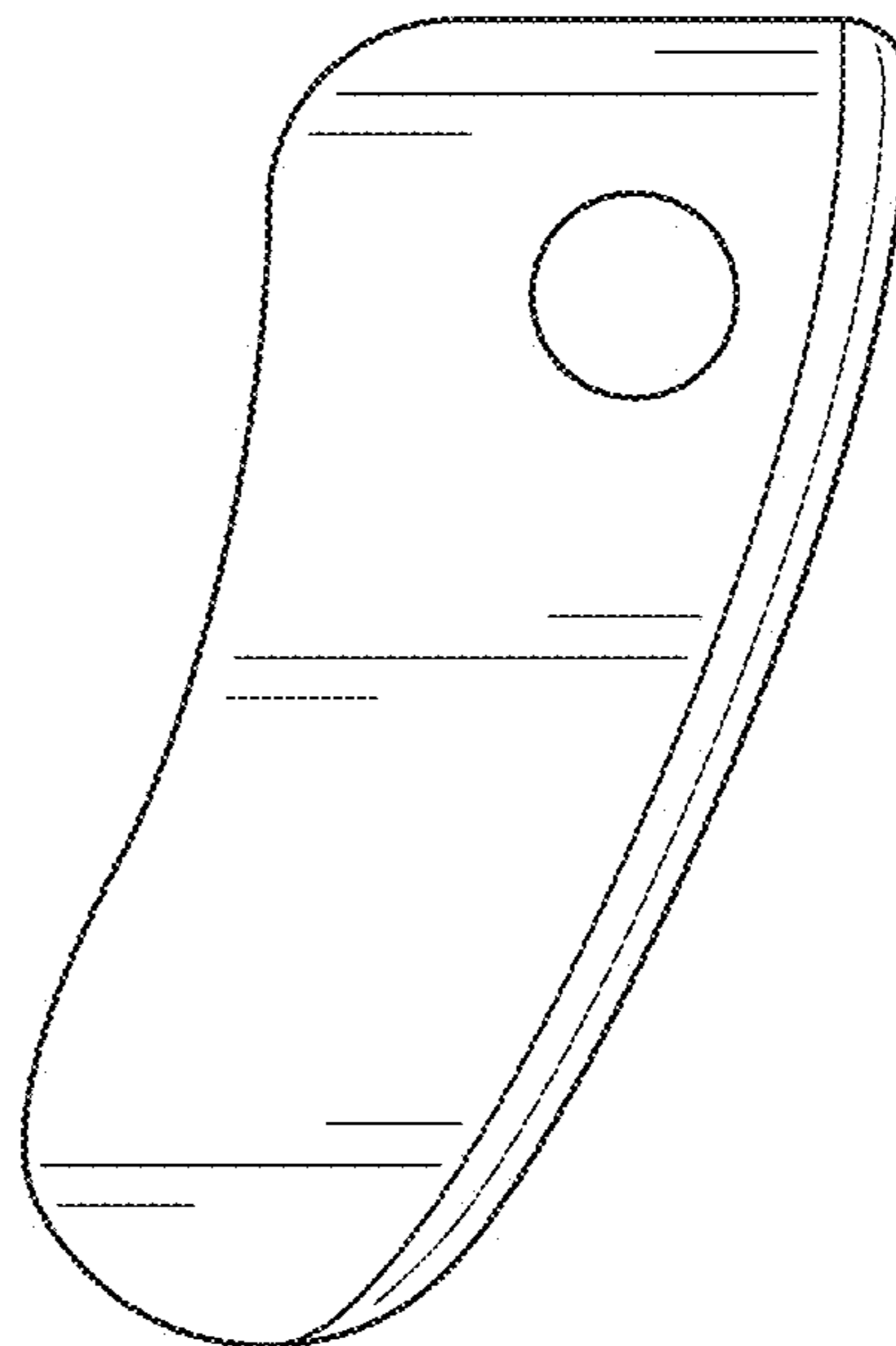


FIG. 5

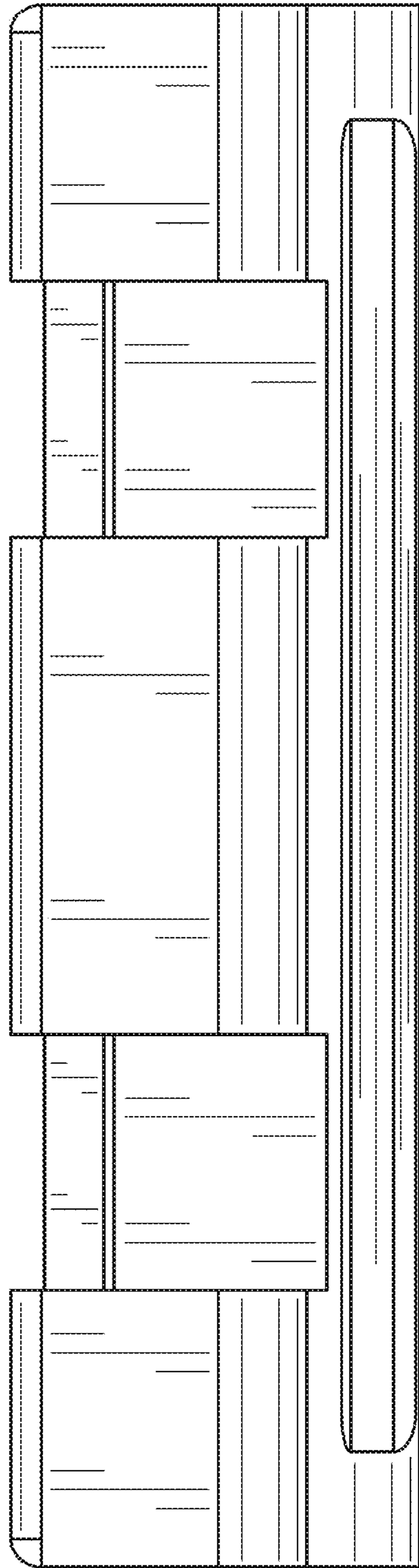


FIG. 6

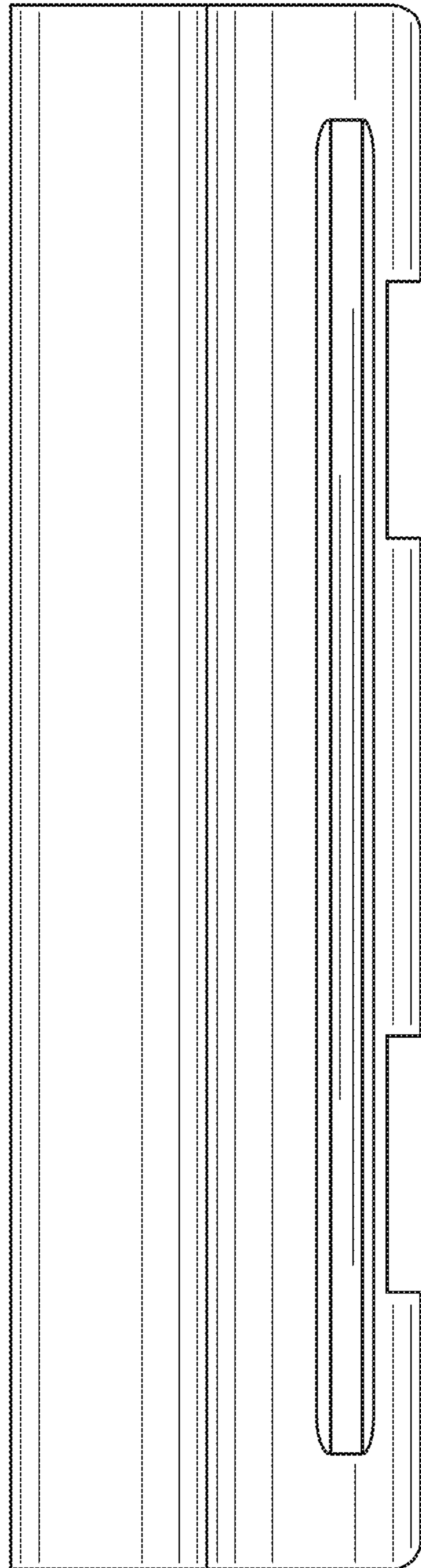


FIG. 7

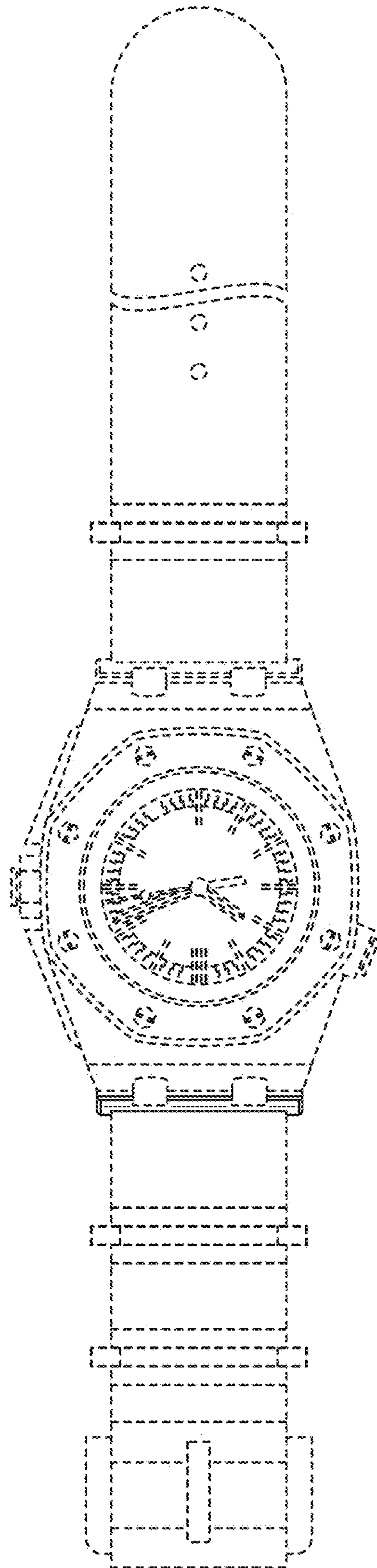


FIG. 8