



US00D905587S

(12) **United States Design Patent** (10) **Patent No.:** **US D905,587 S**
Nolan, Jr. (45) **Date of Patent:** **** Dec. 22, 2020**

(54) **PENDANT** 5,511,390 A * 4/1996 Mah A44C 25/00
63/1.14
(71) Applicant: **All Star Motivation.com**, Las Vegas, NV (US) D641,349 S * 7/2011 Baumann D11/79
D653,582 S * 2/2012 Smith D11/79
D760,111 S * 6/2016 Kosann D11/80
(72) Inventor: **William P. Nolan, Jr.**, Las Vegas, NV (US) D761,151 S * 7/2016 Weems D11/80
D813,710 S * 3/2018 Psaras D11/79
D850,318 S * 6/2019 Liberman D11/3
(73) Assignee: **All Star Motivation.com**, Las Vegas, NV (US) 2008/0229641 A1 * 9/2008 Slautterback A44C 25/001
40/773
2019/0037979 A1 * 2/2019 Diner A44C 25/001

(**) Term: **15 Years**

(21) Appl. No.: **29/676,753**

(22) Filed: **Jan. 14, 2019**

(51) **LOC (12) Cl.** **11-01**

(52) **U.S. Cl.**
USPC **D11/79**

(58) **Field of Classification Search**
USPC D11/1-11, 79, 80, 86, 91, 92; D9/516, D9/572

CPC A44C 15/002; A44C 15/0025; A44C 15/0045; A44C 15/005; A44C 15/006; A44C 25/00; A44C 25/001; A44C 25/002; A44C 17/02

See application file for complete search history.

(56) **References Cited**

U.S. PATENT DOCUMENTS

D249,339 S * 9/1978 Coulthurst D11/79
D343,140 S * 1/1994 Sperandio D11/79

* cited by examiner

Primary Examiner — Llorelys Martinez

(74) *Attorney, Agent, or Firm* — Dickinson Wright, PLLC; Michael E. Noe, Jr.

(57) **CLAIM**

The ornamental design for a pendant, substantially as shown and described.

DESCRIPTION

FIG. 1 is a perspective view of the pendant;
FIG. 2 is a front view thereof;
FIG. 3 is a rear view thereof;
FIG. 4 is a left side view thereof;
FIG. 5 is a right side view thereof;
FIG. 6 is a top plan view thereof; and,
FIG. 7 is a bottom plan view thereof.
The broken lines in the drawings represent portions of the pendant that form no part of the claimed design.

1 Claim, 4 Drawing Sheets

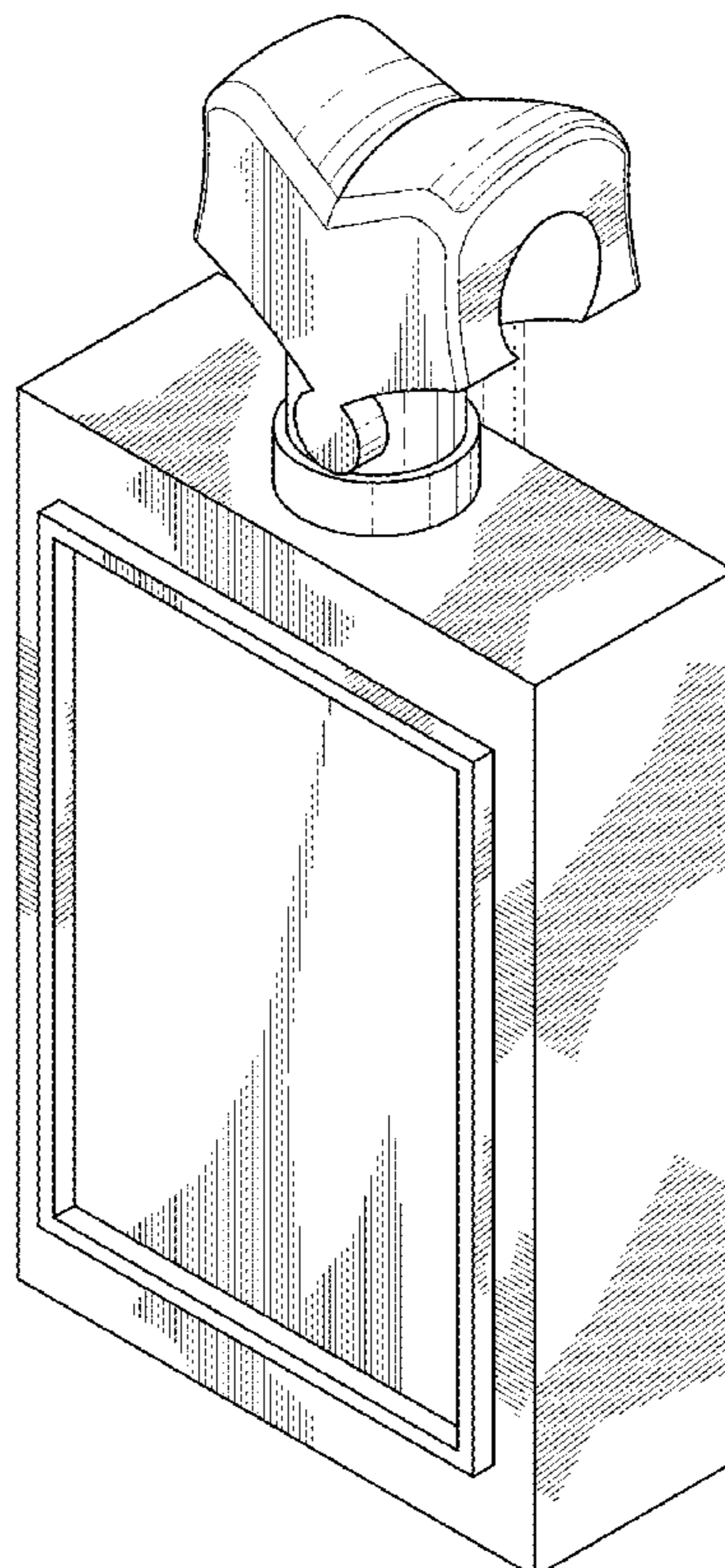
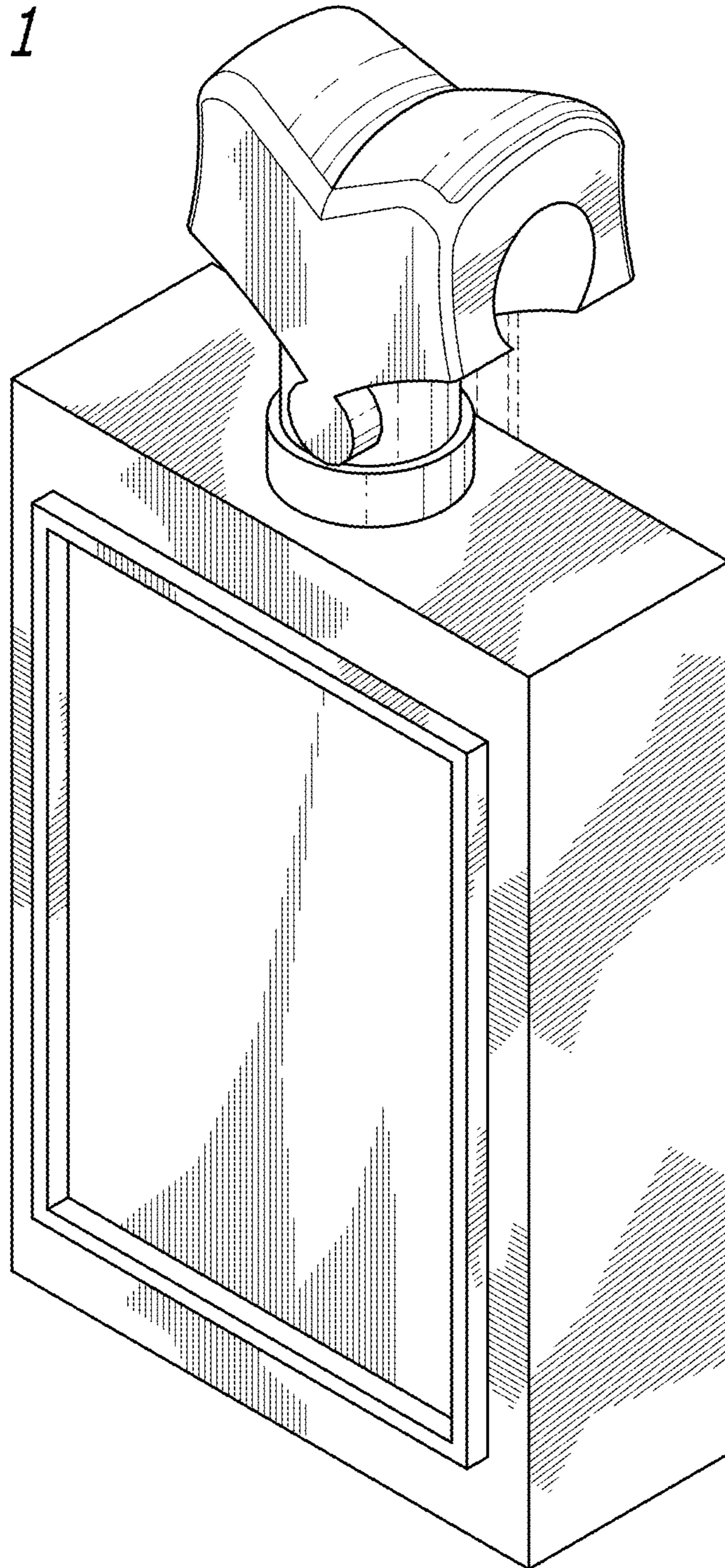


FIG. 1



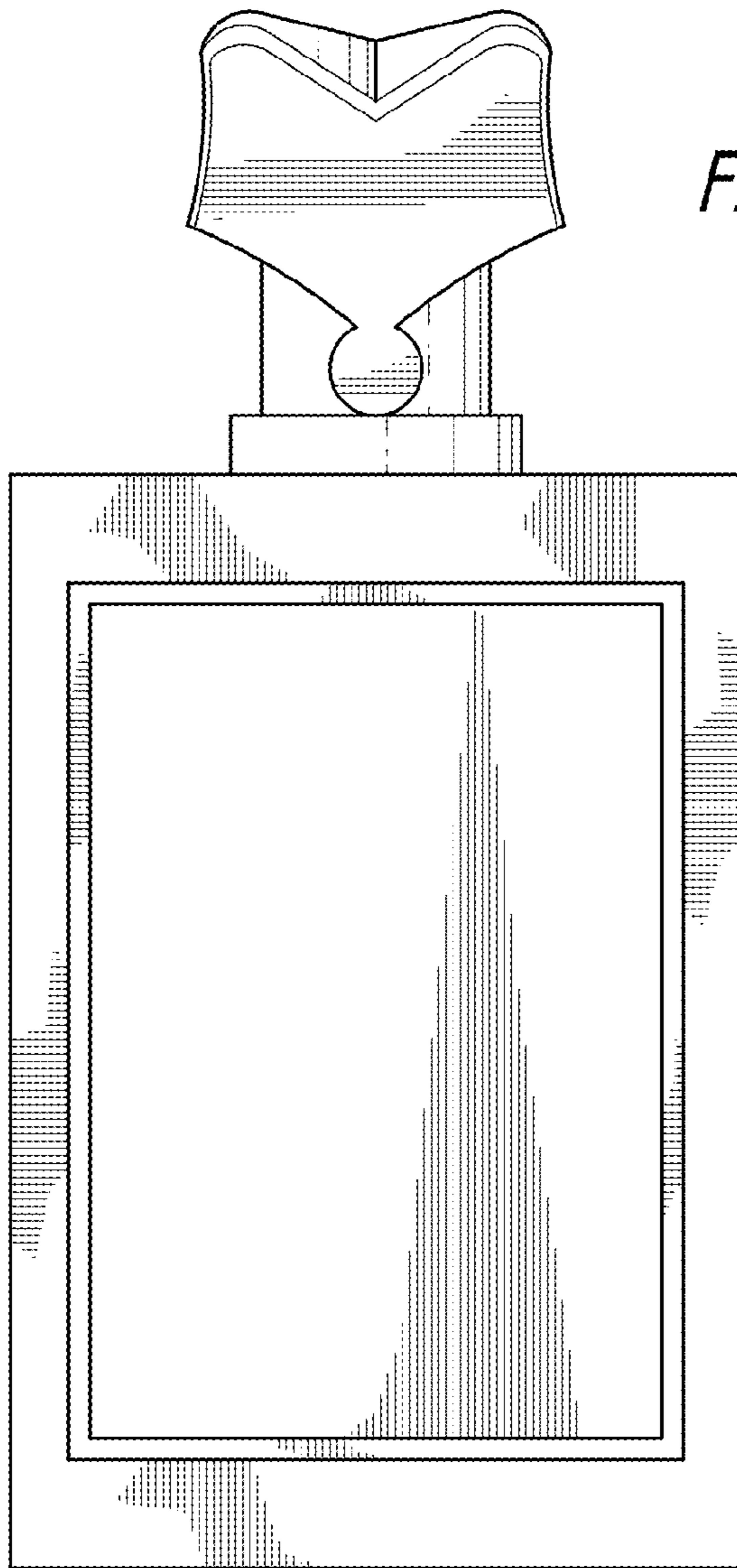


FIG. 2

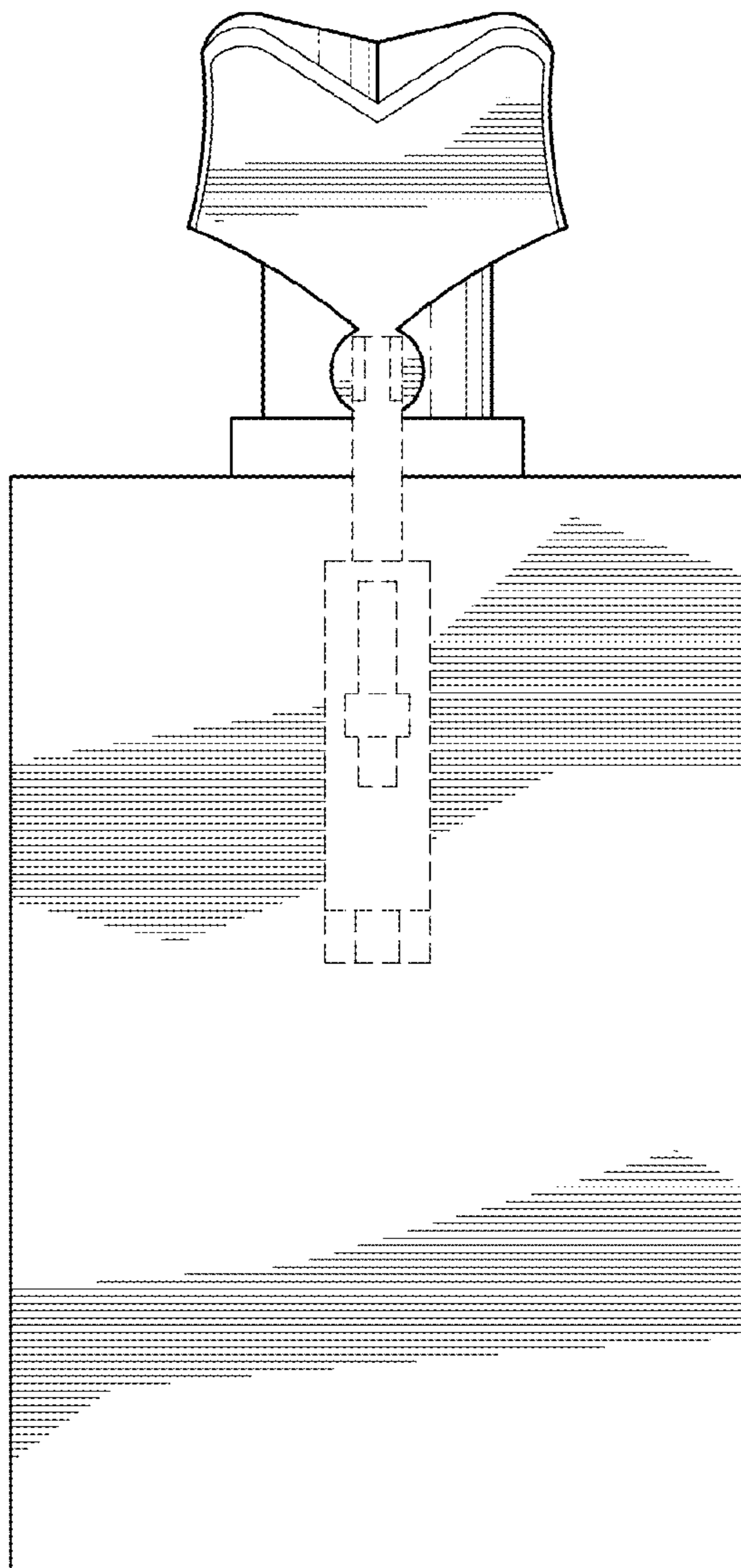


FIG. 3

FIG. 4

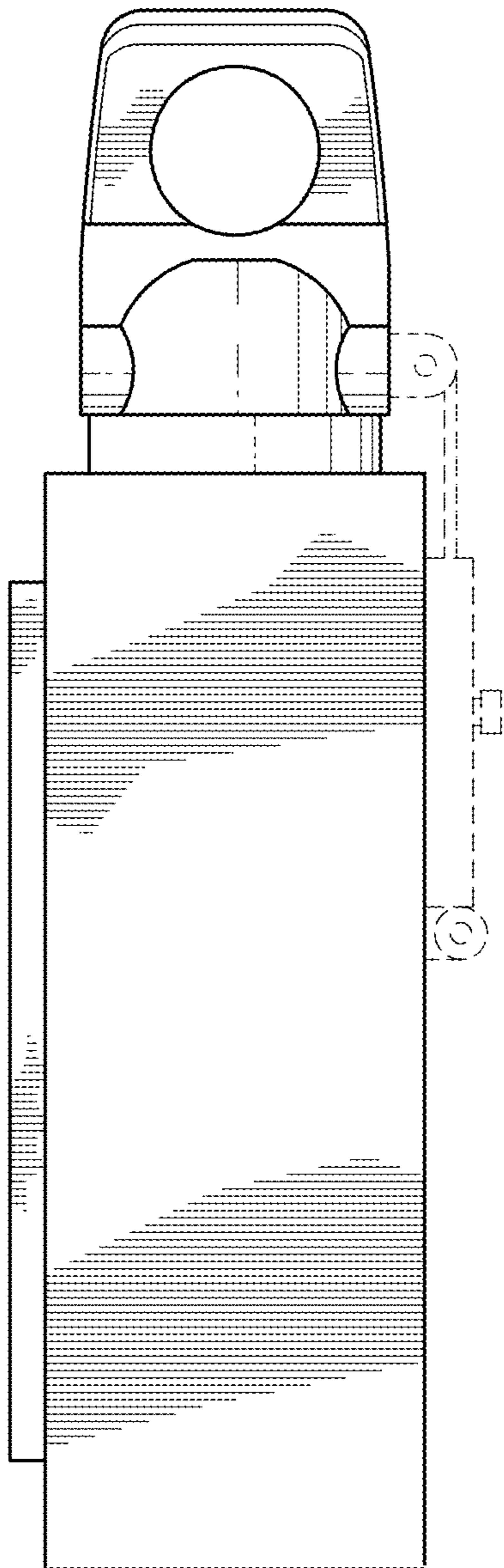
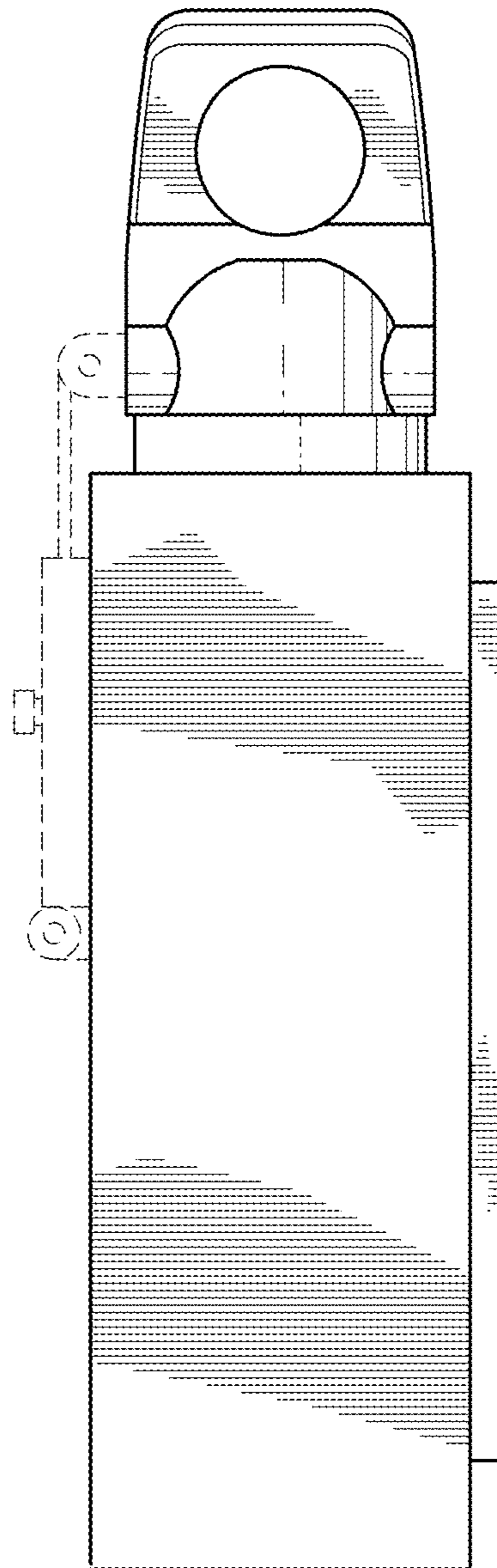


FIG. 5



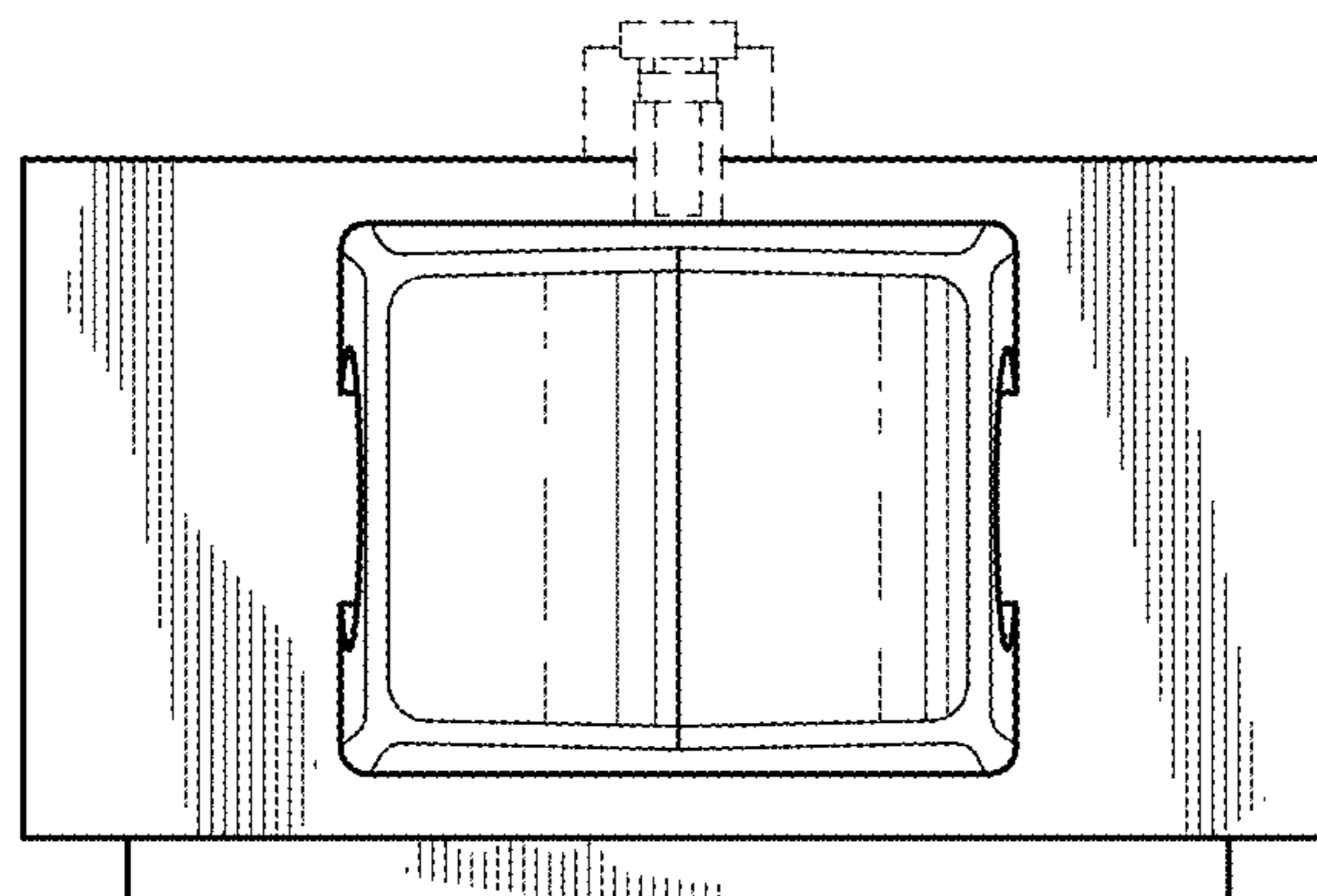


FIG. 6

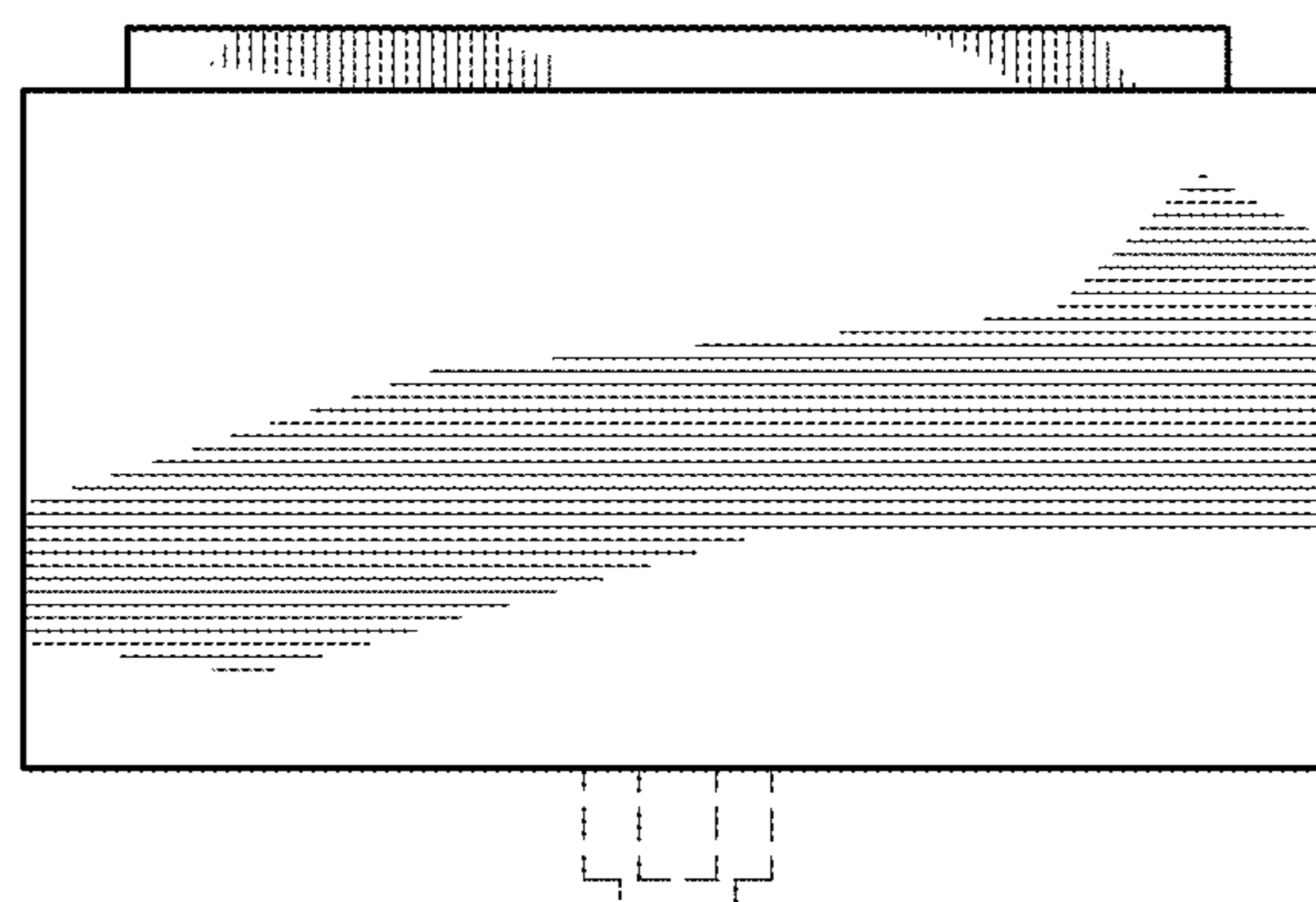


FIG. 7