



US00D905583S

(12) **United States Design Patent** (10) **Patent No.:** **US D905,583 S**  
**Blotacker** (45) **Date of Patent:** **\*\* Dec. 22, 2020**

(54) **DIAL**

(71) Applicant: **Harry Winston SA**, Plan-les-Ouates (CH)

(72) Inventor: **Coralie Blotacker**, Vulbens (FR)

(73) Assignee: **Harry Winston SA**, Plan-les-Ouates (CH)

(\*\*) Term: **15 Years**

(21) Appl. No.: **29/651,513**

(22) Filed: **Aug. 20, 2018**

(30) **Foreign Application Priority Data**

Feb. 20, 2018 (WO) ..... DM/100453

(51) **LOC (12) Cl.** ..... **10-07**

(52) **U.S. Cl.**  
USPC ..... **D10/126**

(58) **Field of Classification Search**  
USPC ..... D10/122, 123, 124, 125, 126, 132, 30,  
D10/31, 32, 34, 37, 38, 39, 1, 2, 99;  
D11/79, 86

CPC ..... G04B 1/00; G04B 19/00; G04B 19/02;  
G04B 19/046; G04B 19/06; G04B  
19/065; G04B 19/08; G04B 19/20; G04B  
19/085; G04B 19/18; G04B 19/12; G04B  
19/24; G04B 19/202; G04B 19/166

See application file for complete search history.

(56) **References Cited**

**U.S. PATENT DOCUMENTS**

D150,628 S \* 8/1948 Goodkind ..... D10/125  
D437,791 S \* 2/2001 Roden ..... D10/32

(Continued)

**FOREIGN PATENT DOCUMENTS**

CH 699784 A2 \* 4/2010 ..... G04B 17/285

**OTHER PUBLICATIONS**

Gear Patrol, This Tourbillon Watch from Citizen is kind of Surreal, posted Jun. 9, 2017, [online], [visited Aug. 29, 2019]. Internet, URL: <https://gearpatrol.com/2017/06/09/citizen-tourbillon-y01/#1> (Year: 2017).\*

(Continued)

*Primary Examiner* — Sheryl Lane

*Assistant Examiner* — Samantha N Wood

(74) *Attorney, Agent, or Firm* — Blank Rome LLP

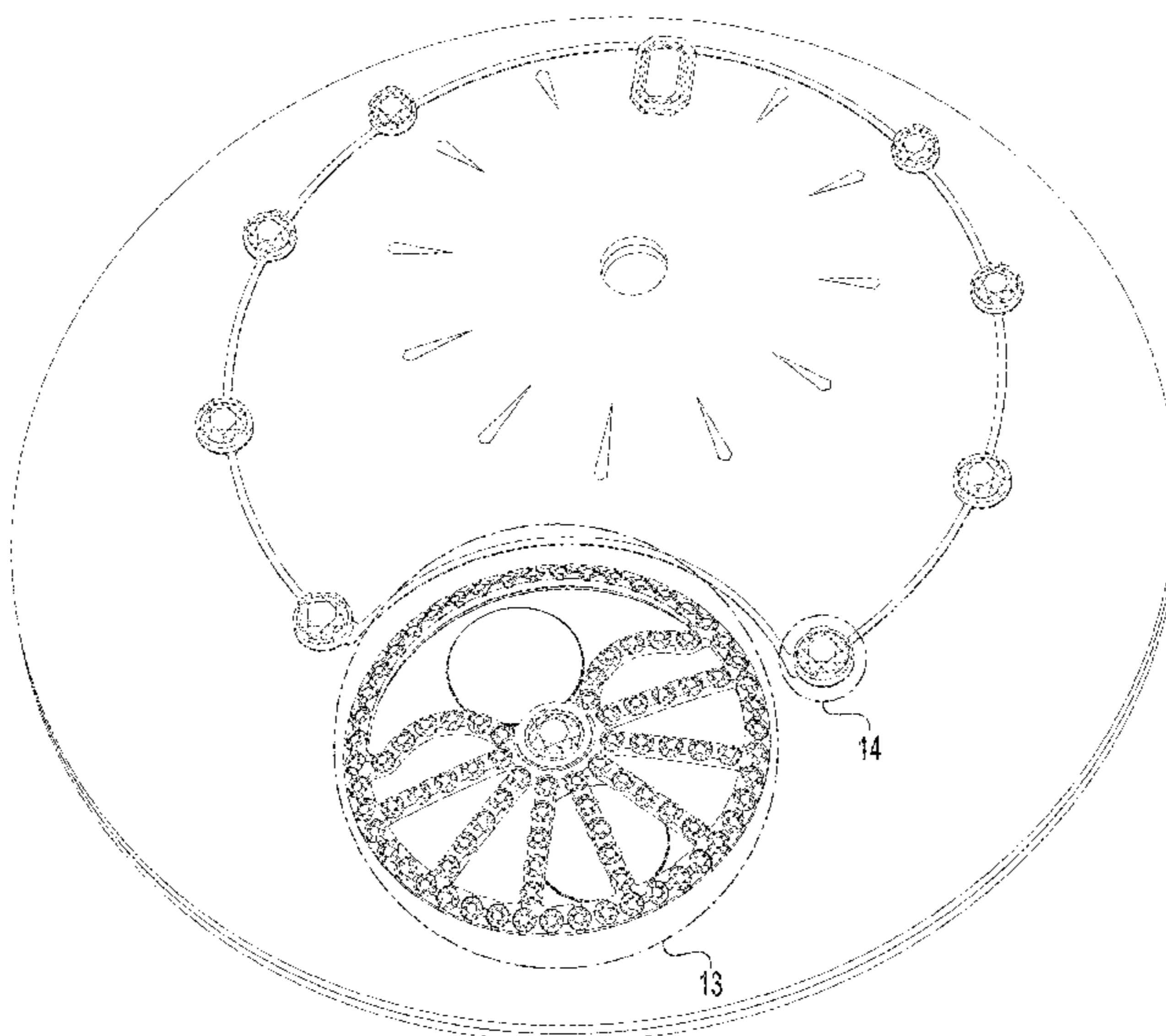
(57) **CLAIM**

The ornamental design for a dial, as shown and described.

**DESCRIPTION**

FIG. 1 is a front view of a dial of the present design; FIG. 2 is a rear view thereof; FIG. 3 is a right side view thereof; FIG. 4 is a left side view thereof; FIG. 5 is a top view thereof; FIG. 6 is a bottom view thereof; and FIG. 7 is a front perspective view thereof; FIG. 8 is a rear perspective view thereof; FIG. 9 is an enlarged portion of FIG. 3, as that portion is identified on FIG. 3; FIG. 10 is an enlarged portion of FIG. 4, as that portion is identified on FIG. 4; FIG. 11 is an enlarged portion of FIG. 5, as that portion is identified on FIG. 5; FIG. 12 is an enlarged portion of FIG. 6, as that portion is identified on FIG. 6; FIG. 13 is an enlarged portion of FIG. 7, as that portion is identified on FIG. 7; and, FIG. 14 is an enlarged portion of FIG. 7, as that portion is identified on FIG. 7. Portions of the dial shown in broken lines form no part of the claimed design.

**1 Claim, 14 Drawing Sheets**



(56)

**References Cited**

U.S. PATENT DOCUMENTS

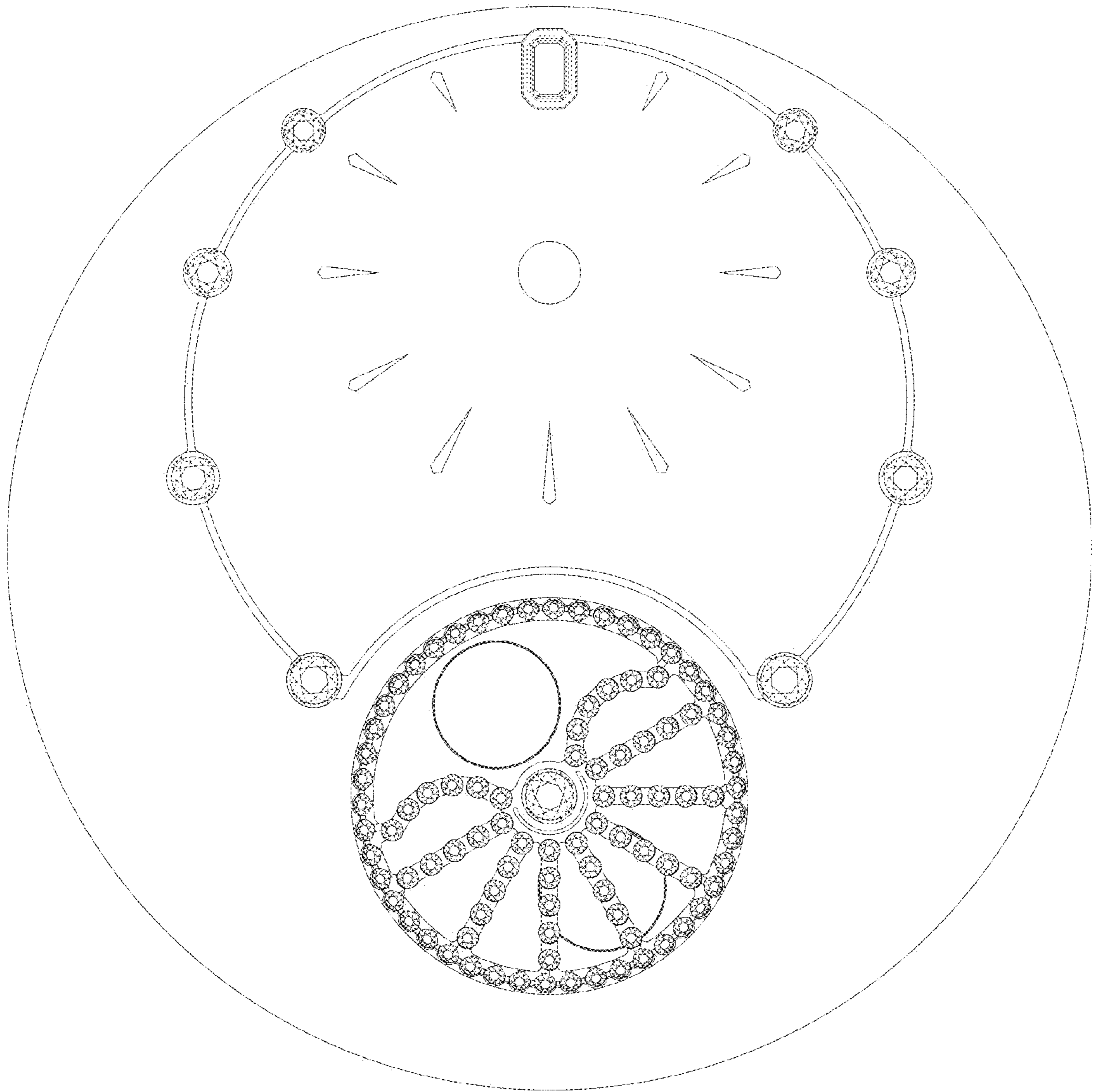
D508,653 S \* 8/2005 Roden ..... D10/32  
D564,388 S \* 3/2008 Tripet ..... D10/126  
D698,687 S \* 2/2014 Boulangeot ..... D10/126  
D754,017 S \* 4/2016 Muller ..... D10/126  
D766,766 S \* 9/2016 Lasserre ..... D10/126  
D810,588 S \* 2/2018 Macaluso ..... D10/39

OTHER PUBLICATIONS

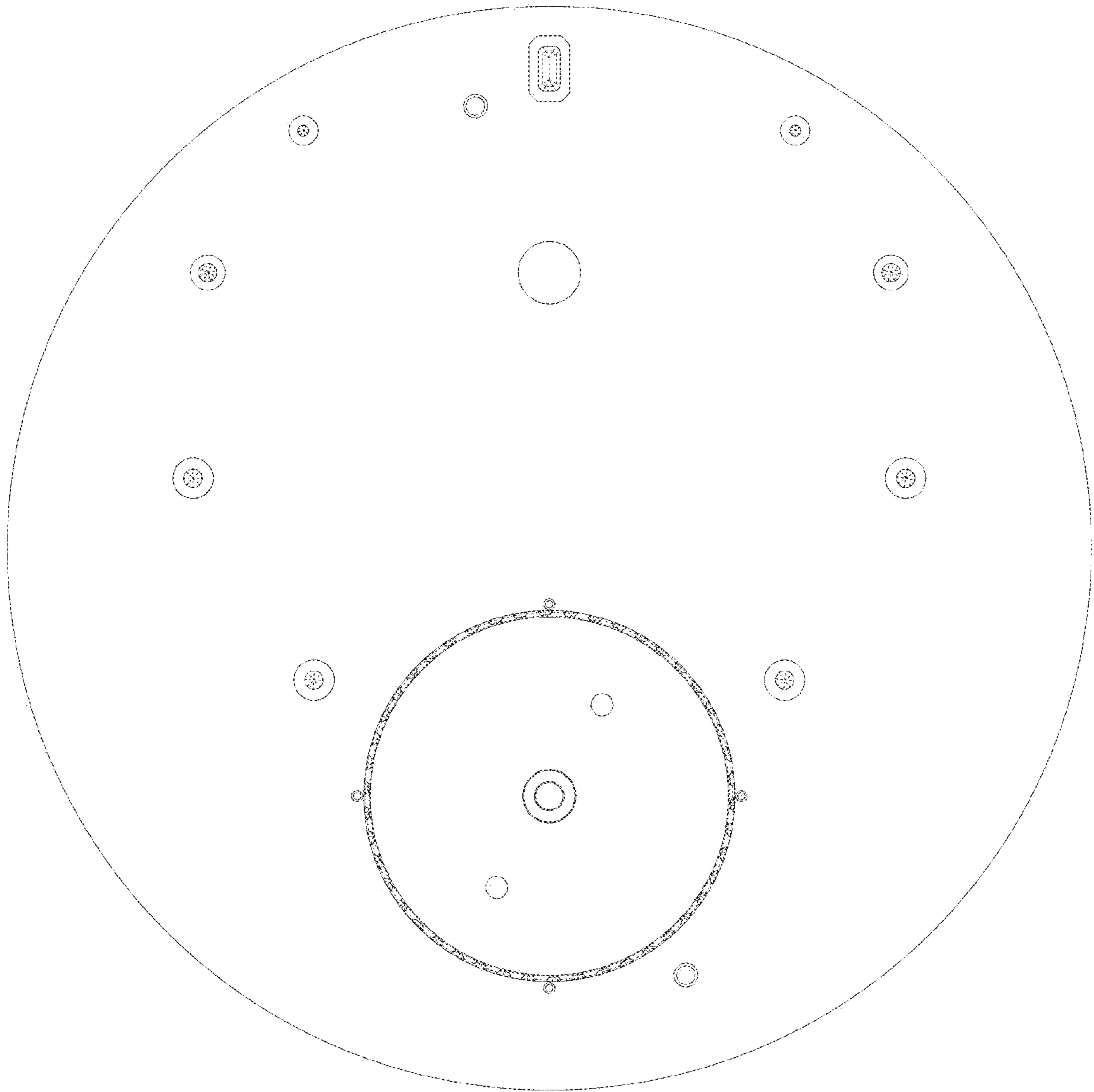
Amazon, Bering Women's Analog Watch, posted Oct. 26, 2011, [online], [visited Aug. 29, 2019]. Internet, URL: [https://www.amazon.co.uk/Bering-Womens-Analogue-Stainless-12430-010/dp/B004640R2C/ref=olp\\_product\\_details?encoding=UTF8&me=&qid=1567115592&sr=8-4-spons](https://www.amazon.co.uk/Bering-Womens-Analogue-Stainless-12430-010/dp/B004640R2C/ref=olp_product_details?encoding=UTF8&me=&qid=1567115592&sr=8-4-spons) (Year: 2011).\*

Amazon, Binlun Lades White Watch, posted Jan. 12, 2017, [online], [visited Aug. 29, 2019]. . . Internet, URL: [https://www.amazon.co.uk/BINLUN-Ceramic-Japanese-Calendar-Accented/dp/B01DXYU01S/ref=cm\\_cr\\_arp\\_d\\_pdt\\_img\\_top?ie=UTF8](https://www.amazon.co.uk/BINLUN-Ceramic-Japanese-Calendar-Accented/dp/B01DXYU01S/ref=cm_cr_arp_d_pdt_img_top?ie=UTF8) (Year: 2017).\*

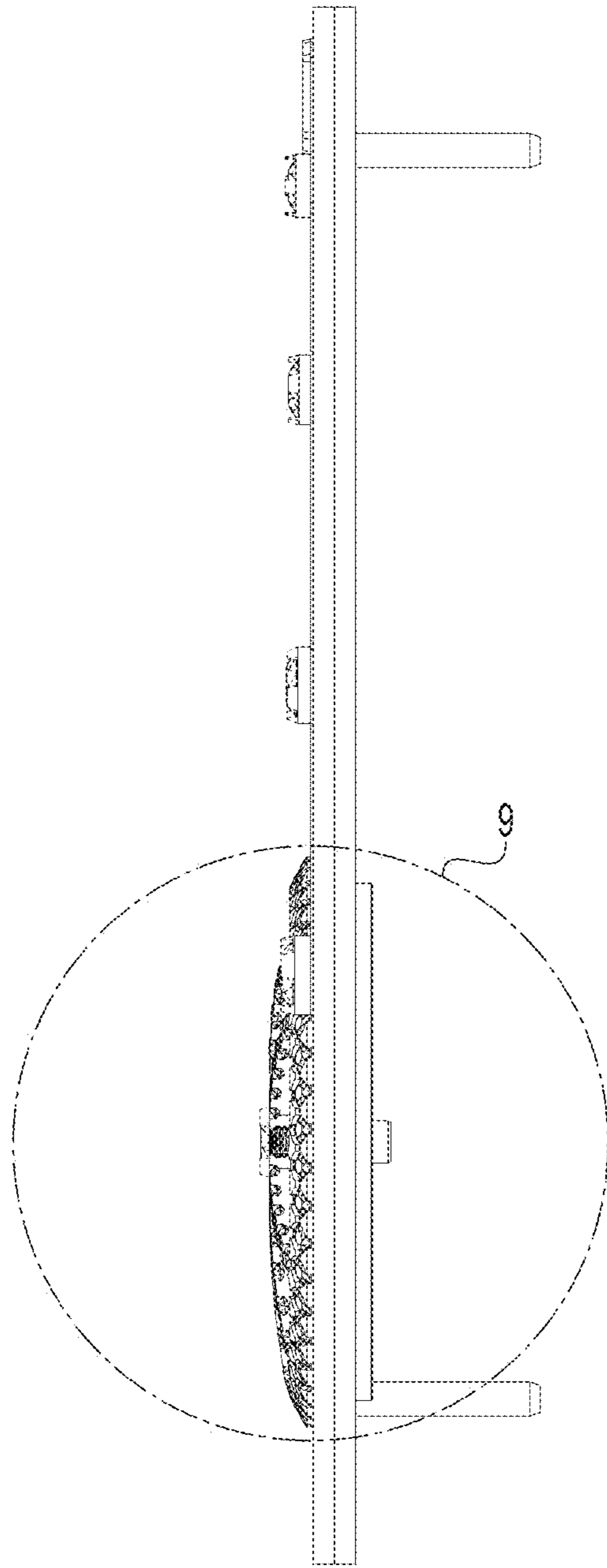
\* cited by examiner



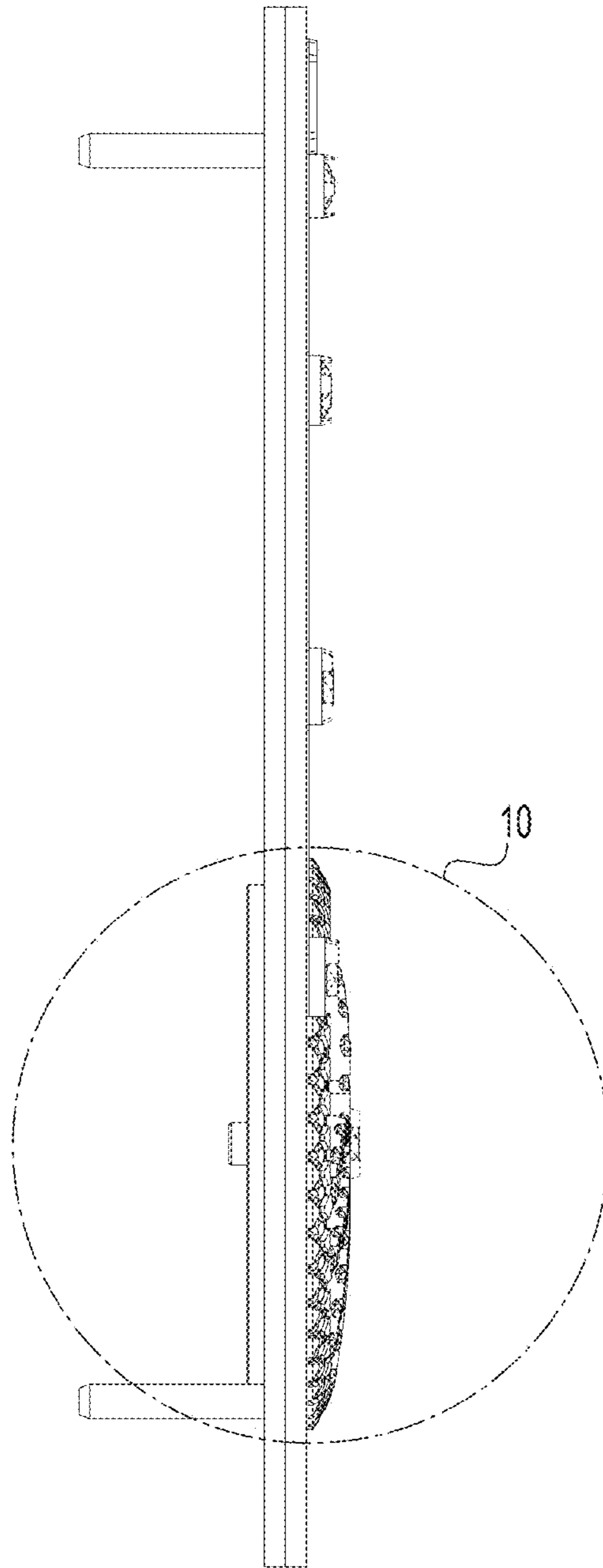
**FIG. 1**



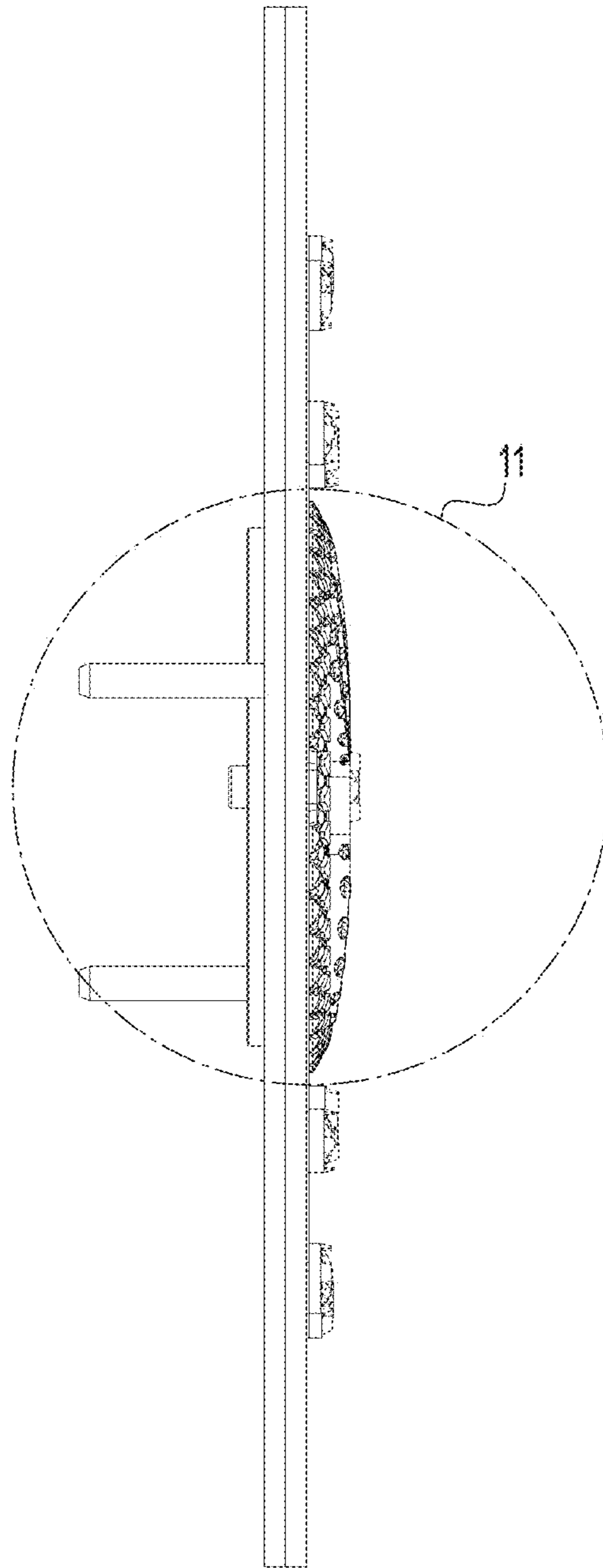
**FIG. 2**



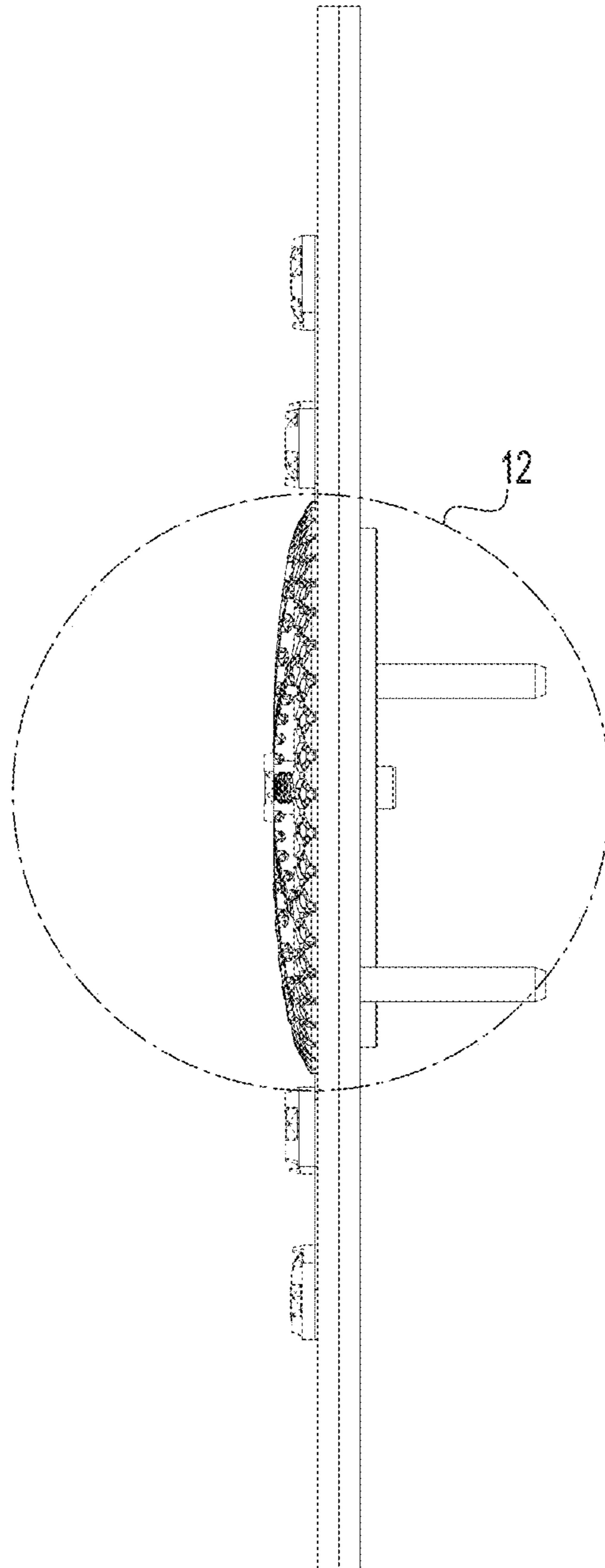
**FIG. 3**



**FIG. 4**

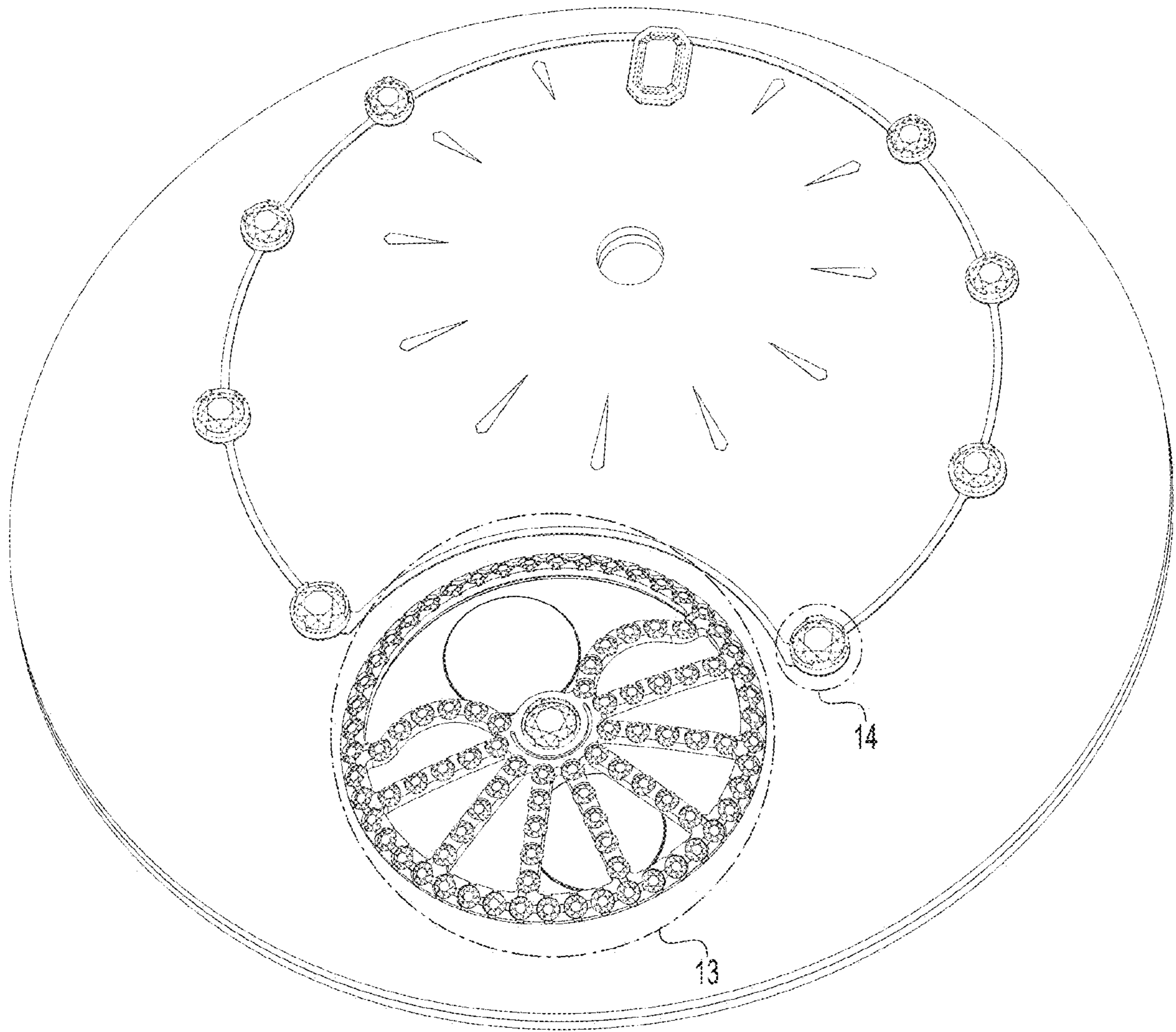


**FIG. 5**

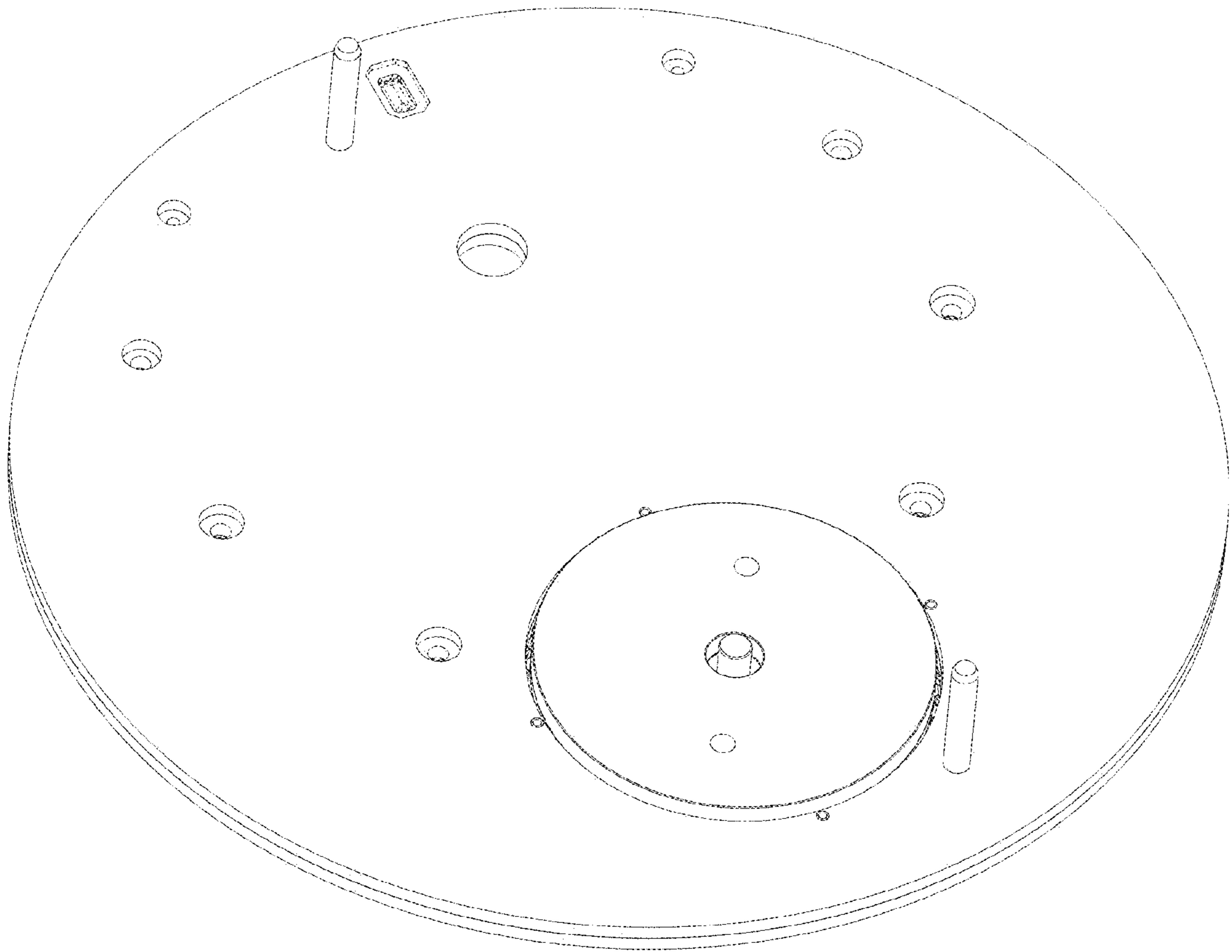


**FIG. 6**

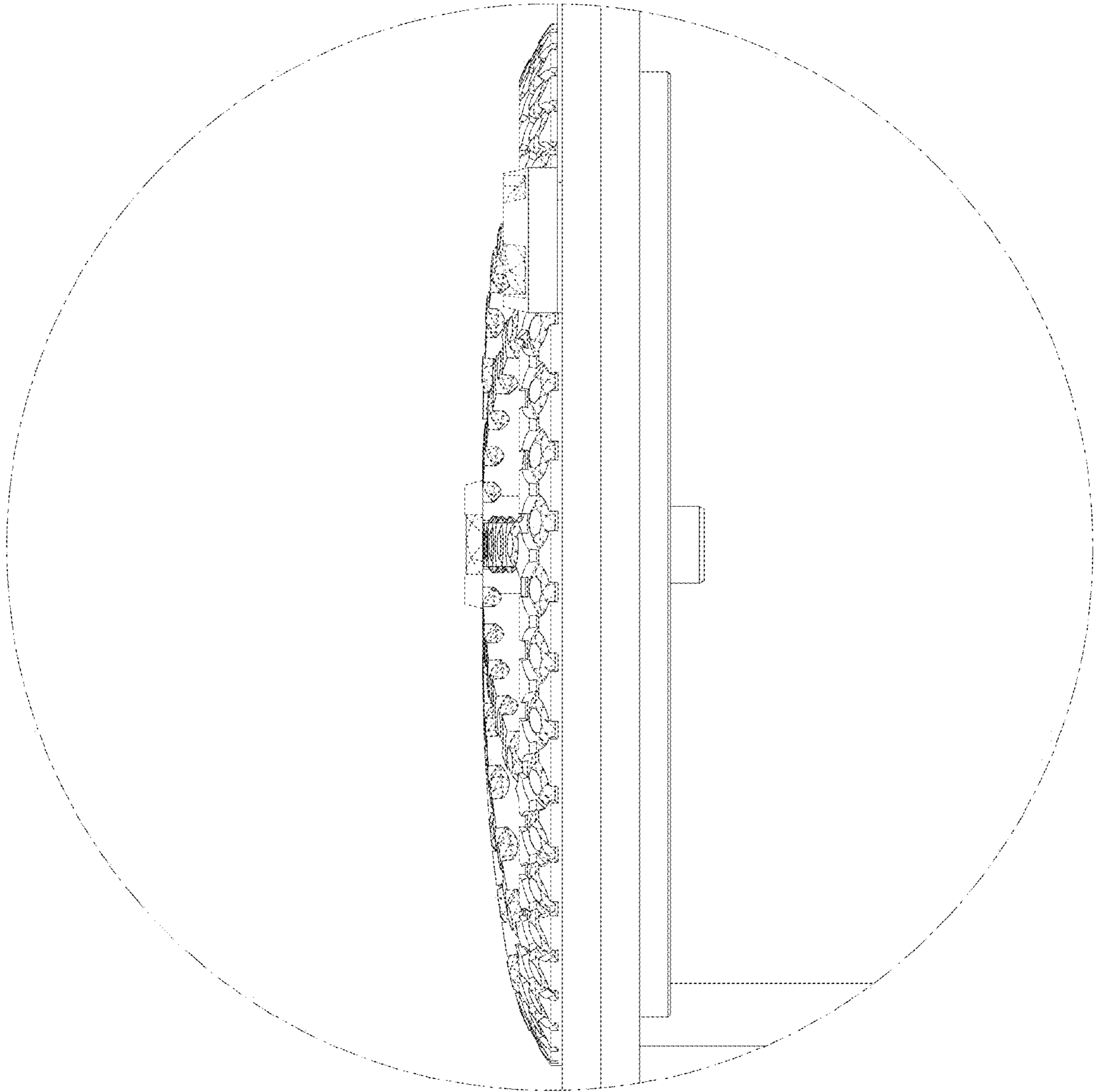




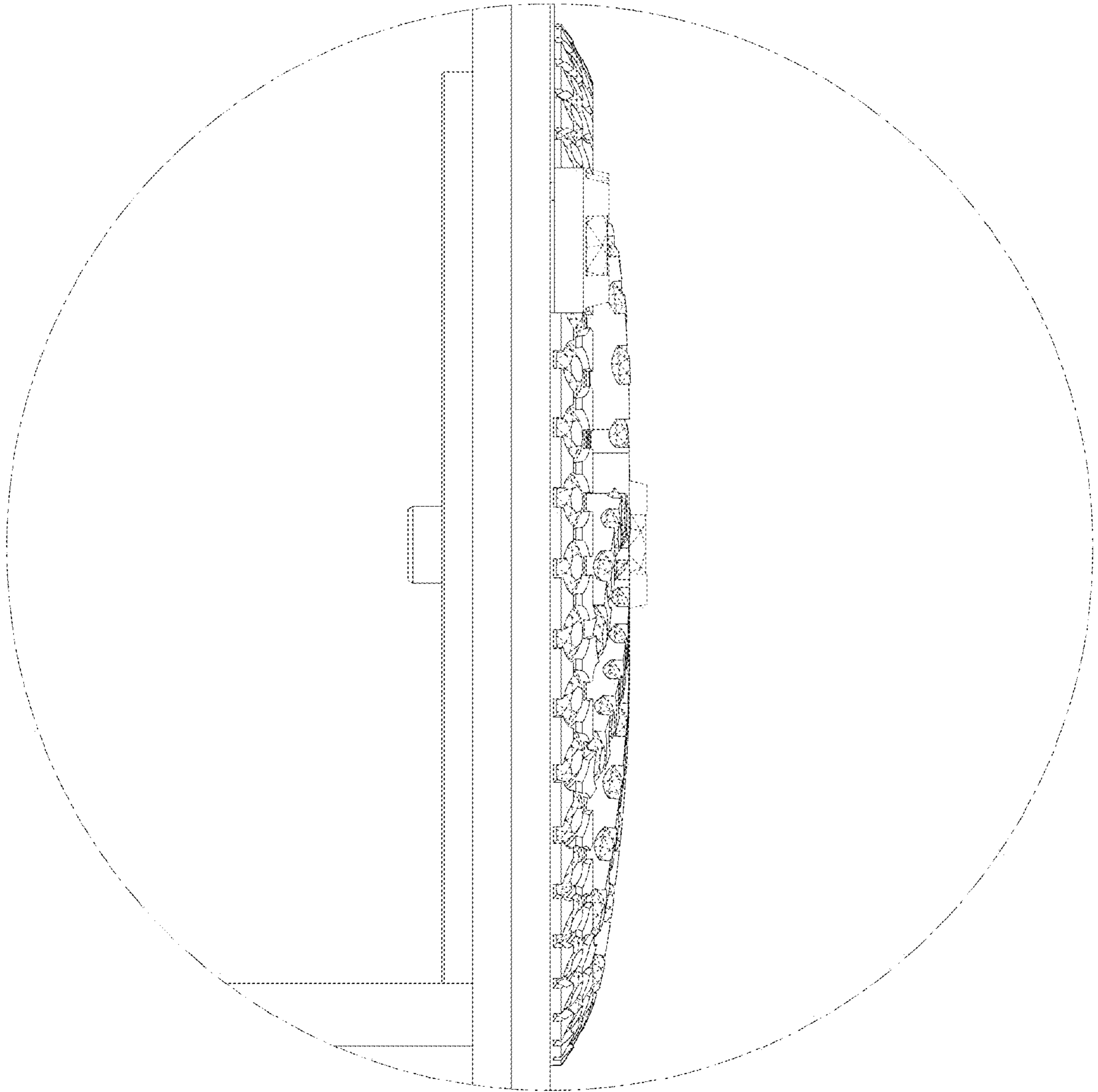
**FIG. 7**



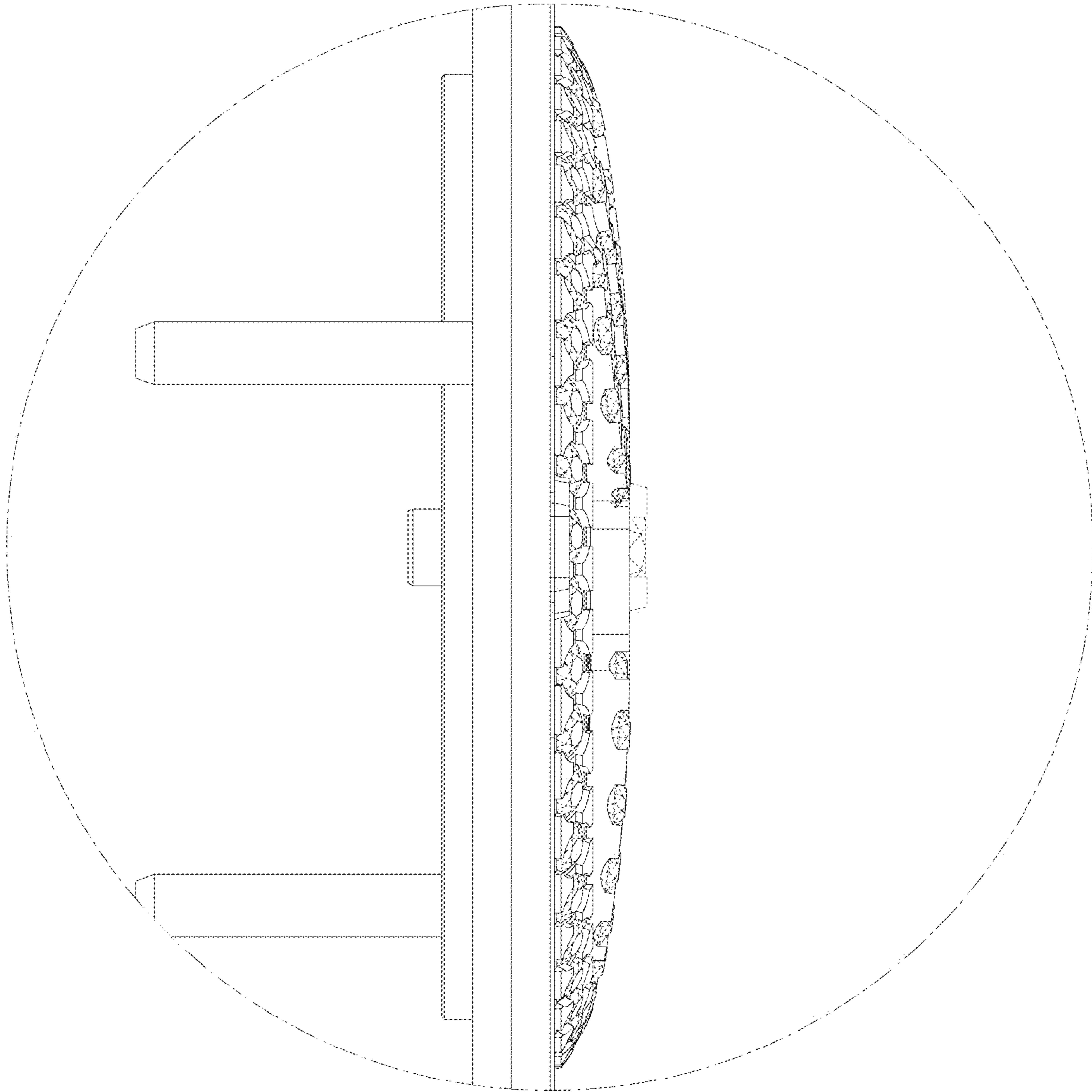
**FIG. 8**



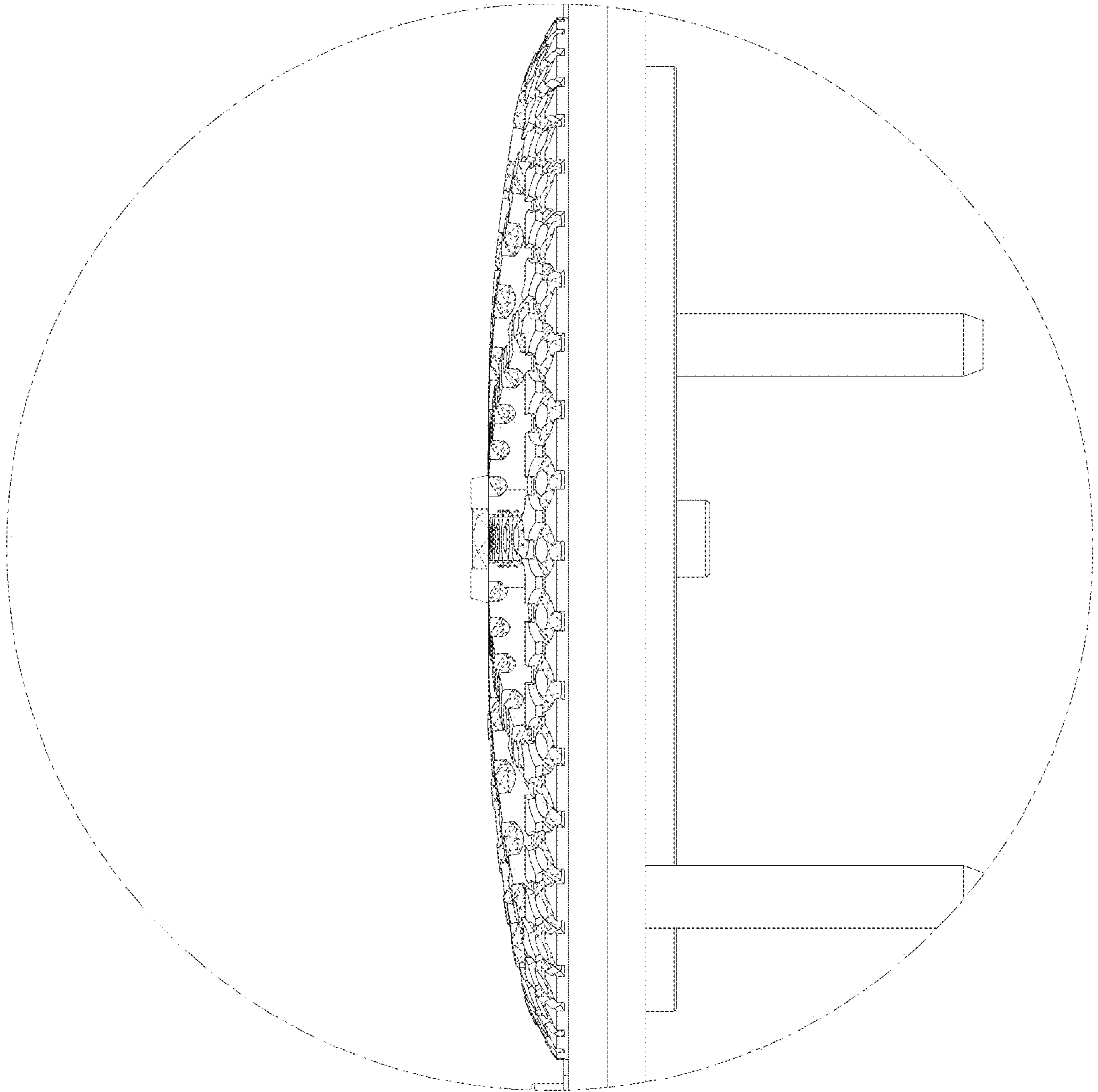
**FIG. 9**



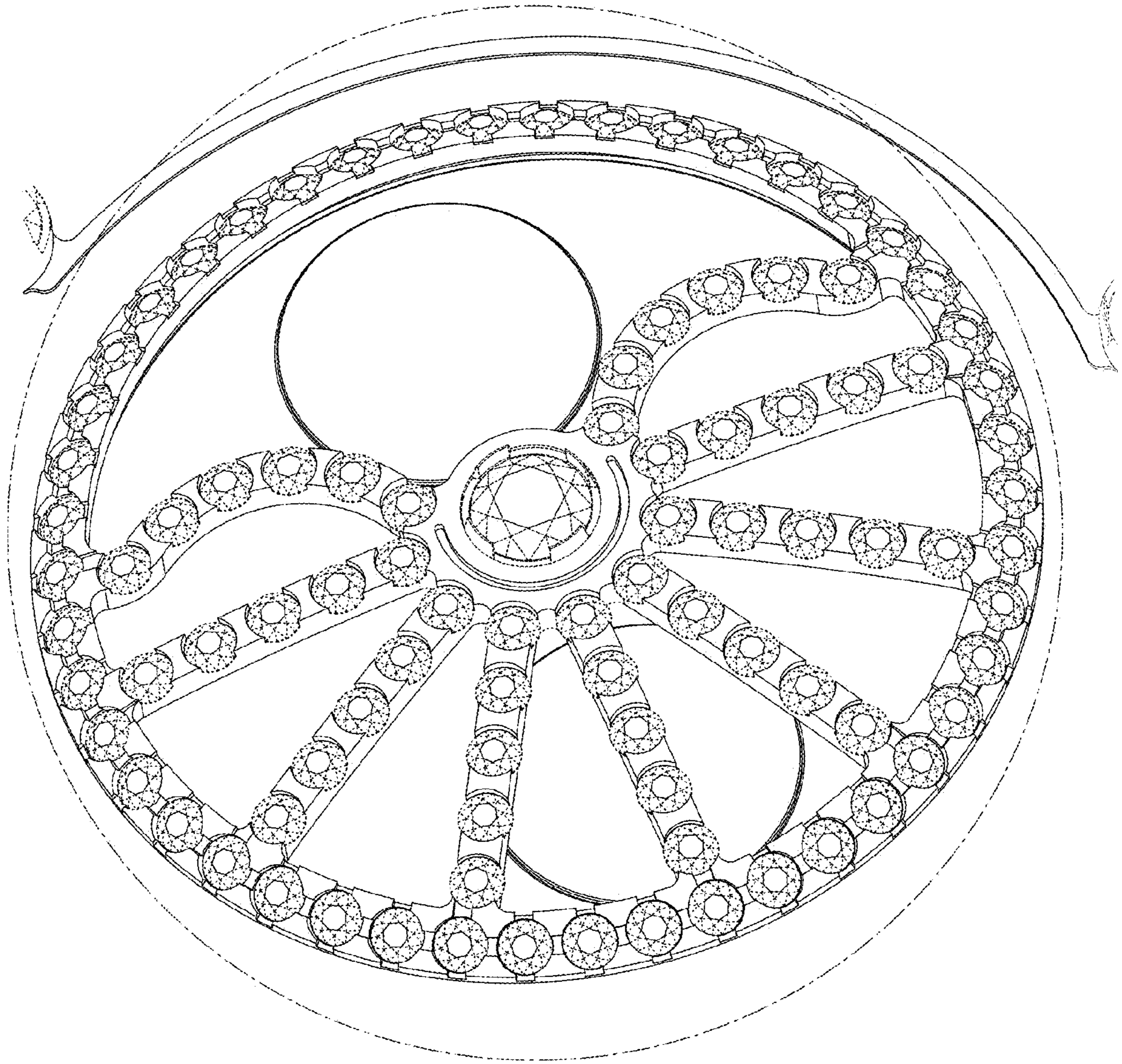
**FIG. 10**



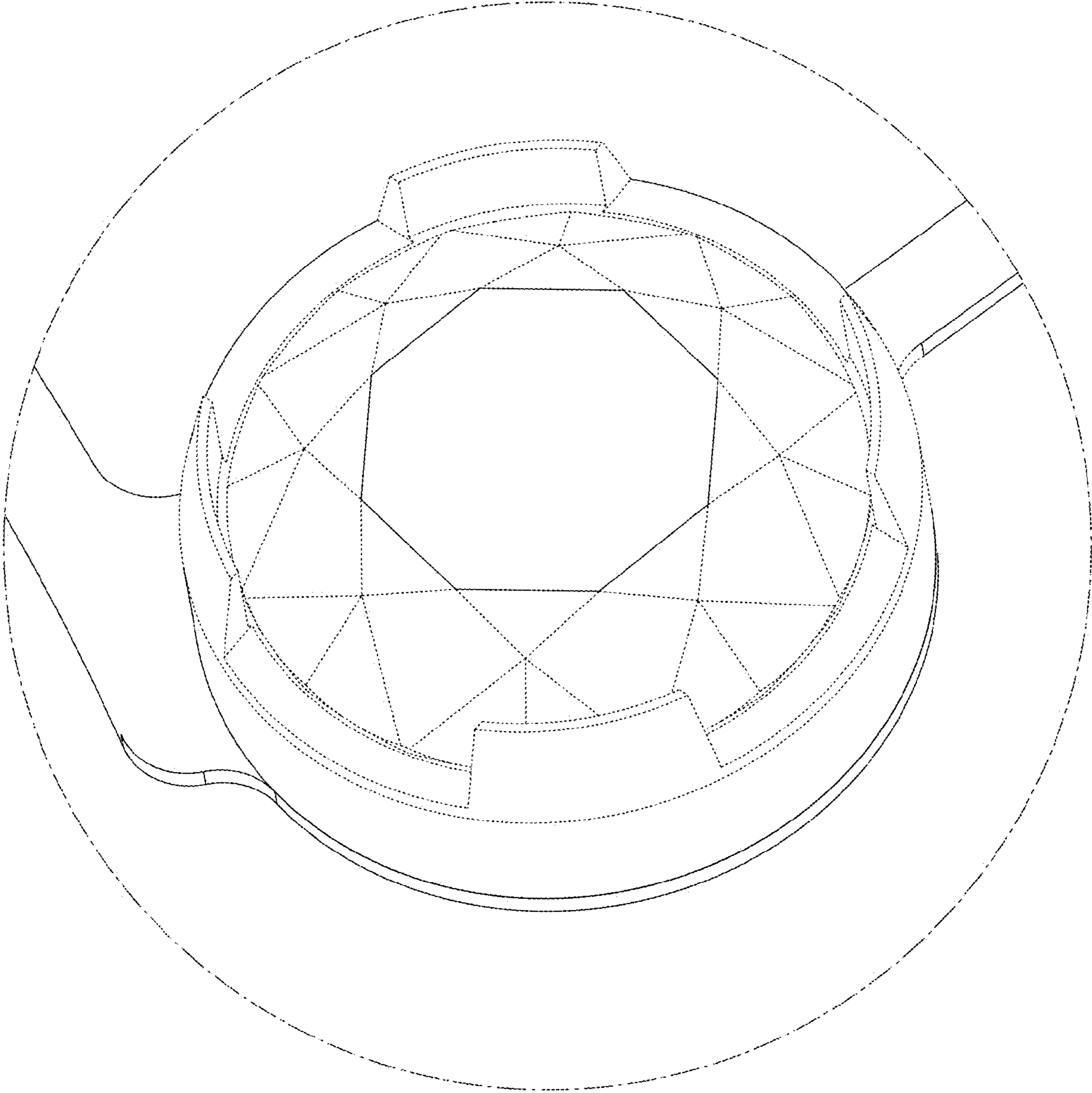
**FIG. 11**



**FIG. 12**



**FIG. 13**



**FIG. 14**