



US00D905581S

(12) **United States Design Patent** (10) **Patent No.:** **US D905,581 S**
Wada et al. (45) **Date of Patent:** **** Dec. 22, 2020**

(54) **ELECTRONIC DEVICE**

(71) Applicant: **Garmin Switzerland GmbH**,
Schaffhausen (CH)
(72) Inventors: **Larrin Wada**, Olathe, KS (US); **Hans Fritze**, Olathe, KS (US); **Peter J. Henne**, Overland Park, KS (US); **Ian J. Baker**, Lawrence, KS (US)

(73) Assignee: **Garmin Switzerland GmbH**

(**) Term: **15 Years**

(21) Appl. No.: **29/688,480**

(22) Filed: **Apr. 22, 2019**

(51) **LOC (12) Cl.** **10-04**

(52) **U.S. Cl.**
USPC **D10/98**

(58) **Field of Classification Search**
USPC D10/65, 70, 98
CPC ... A63B 24/00; A63B 2225/50; A63B 4/0006;
A63B 24/0062; A63B 69/16; A63B
2024/0009; A63B 2024/0068; A63B
2024/0012; A63B 2230/06; A63B
71/0669; A63B 2220/17; A63B 2220/20;
A63B 2220/30; A63B 2220/833; A63B
2225/20; A63B 2230/04; A63B 2230/202;
A63B 2230/207; A63B 2230/30; A63B
2230/50; B62J 99/00; B62J 2099/0026;
B62J 2099/002; B62J 2099/0013; B62J
2099/0033; B62J 6/02; B62K 11/14;
B62K 21/12; B62K 21/16; B62K
2207/00; B62L 1/12; B62L 3/00; G01C
22/002; G01C 22/00; G01P 11/00; G01P
3/50; G01P 3/481; G01P 3/487; G01P
3/488; G01P 3/4953; G01P 21/02; G06F
3/0488; G01D 1/026; F16M 13/022;
F16M 11/041; F16M 11/06

See application file for complete search history.

(56) **References Cited**

U.S. PATENT DOCUMENTS

D456,289 S 4/2002 Laverick
D475,937 S 6/2003 Banaya
D486,083 S 2/2004 Laverick et al.
D494,878 S 8/2004 Laverick et al.
D528,451 S * 9/2006 Cunningham D10/98
D531,069 S 10/2006 Ishii
D564,921 S 3/2008 Cheng
D577,298 S 9/2008 Reeson et al.

(Continued)

OTHER PUBLICATIONS

GearJunkie, "Wahoo Elemnt Review: Bike Navigation On Road and Off," <https://gearjunkie.com/wahoo-elemnt-bike-computer-review>, Nov. 20, 2018.

(Continued)

Primary Examiner — Antoine Duval Davis
(74) *Attorney, Agent, or Firm* — Samuel M. Korte; Max M. Ali

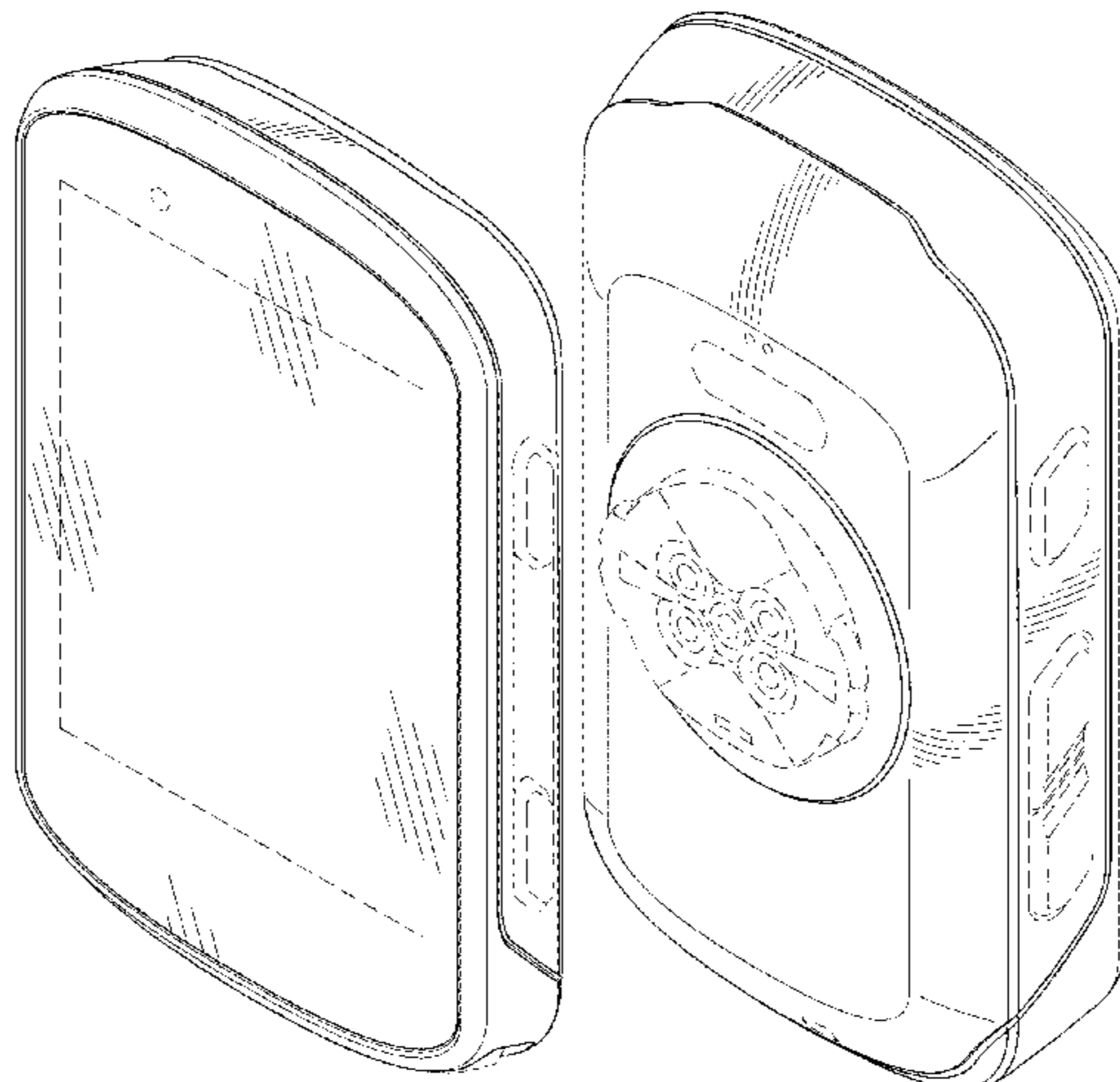
(57) **CLAIM**

The ornamental design for an electronic device, as shown and described.

DESCRIPTION

FIG. 1 is a front perspective view of an electronic device according to the present invention;
FIG. 2 is a rear perspective view of the electronic device;
FIG. 3 is a front view of the electronic device;
FIG. 4 is a rear view of the electronic device;
FIG. 5 is a left side view of the electronic device;
FIG. 6 is a right side view of the electronic device;
FIG. 7 is a top view of the electronic device; and,
FIG. 8 is a bottom view of the electronic device.
The broken lines shown in the drawings represent portions of the electronic device that form no part of the claimed design.

1 Claim, 5 Drawing Sheets



(56)

References Cited

U.S. PATENT DOCUMENTS

D594,358 S	6/2009	Lammers-Meis et al.	
D596,513 S	7/2009	Lammers-Meis et al.	
D611,366 S	3/2010	Register et al.	
D625,629 S	10/2010	McAlpine et al.	
D629,012 S	12/2010	Lee	
D632,984 S	2/2011	Register et al.	
D644,542 S	9/2011	Henne et al.	
D699,131 S	2/2014	Marshall et al.	
D756,812 S	5/2016	Henne et al.	
D766,767 S	9/2016	Bowman et al.	
D809,502 S	2/2018	Henne et al.	
D843,868 S *	3/2019	Henne	D10/98
D850,962 S *	6/2019	Mendez	D10/98
D861,509 S	10/2019	Lee et al.	

OTHER PUBLICATIONS

DC Rainmaker, "Whoo Elemnt Bolt In-Depth Review," <https://www.dcrainmaker.com/2017/03/wahoo-elemnt-bolt-in-depth-review.html>, Mar. 14, 2017.

DC Rainmaker, "Hammerhead Karoo Cycling GPS In-Depth Review," <https://www.dcrainmaker.com/2018/02/hammerhead-karoo-cycling-gps-in-depth-review.html>, Feb. 23, 2018.

* cited by examiner

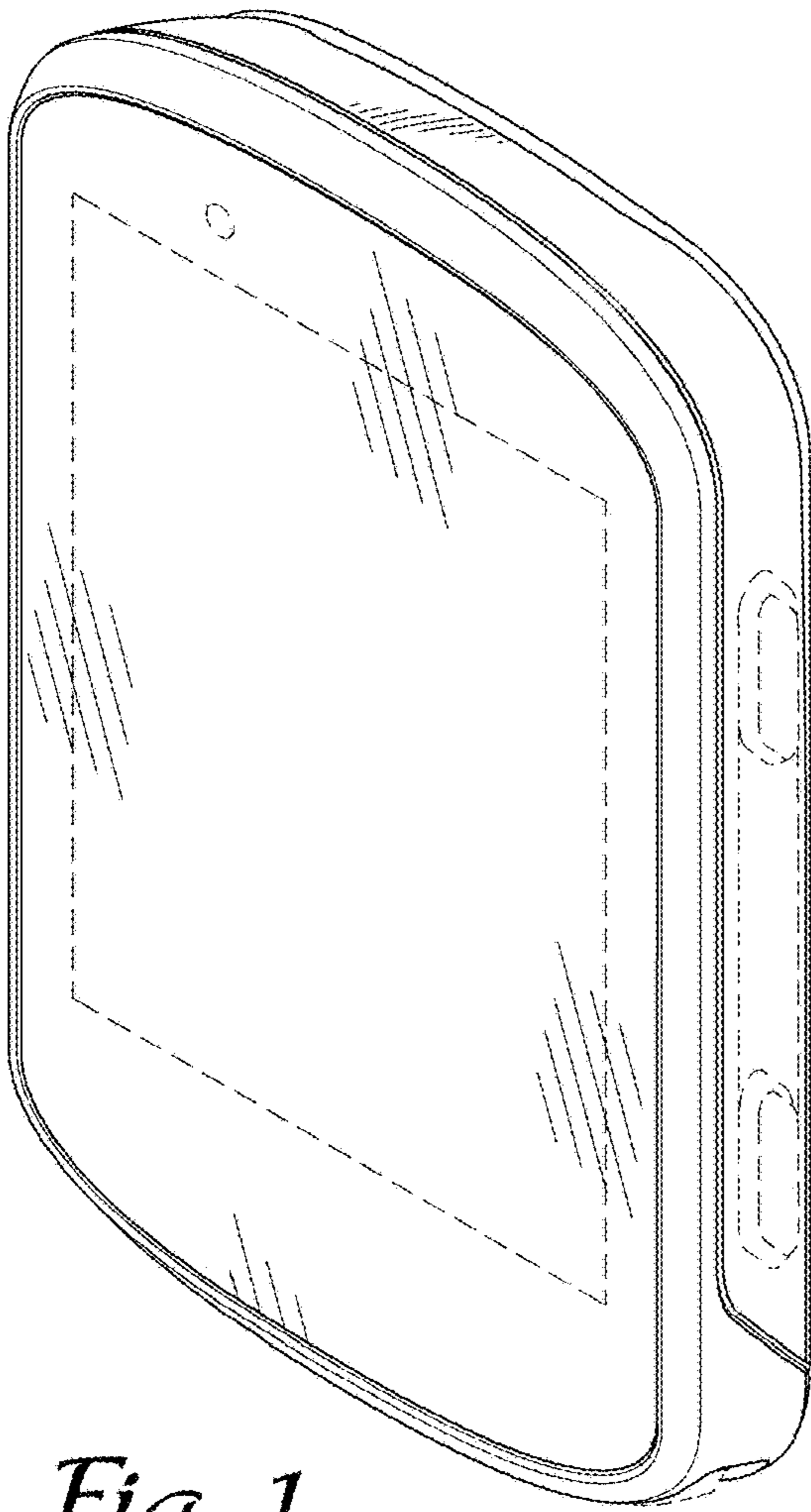


Fig. 1

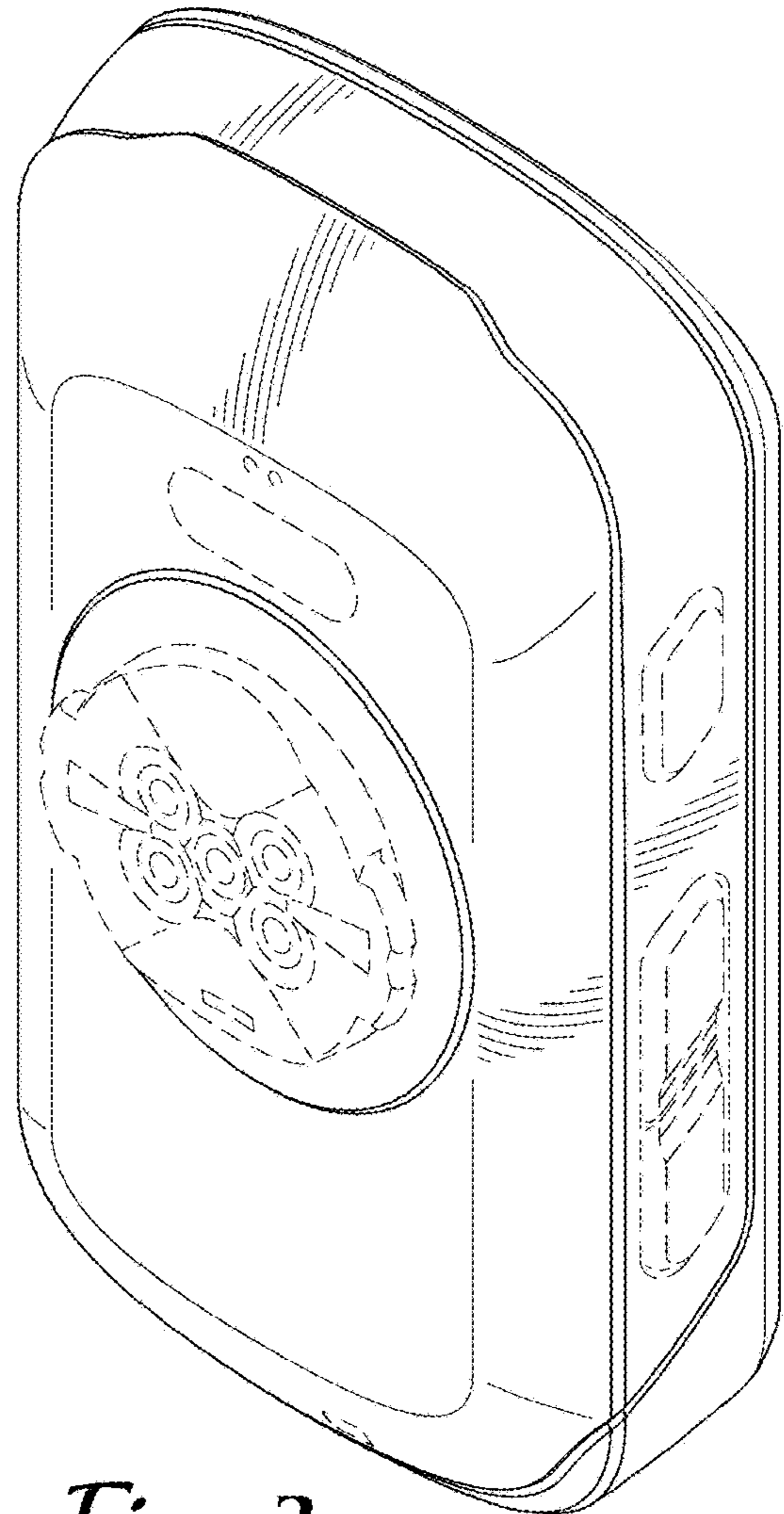


Fig. 2

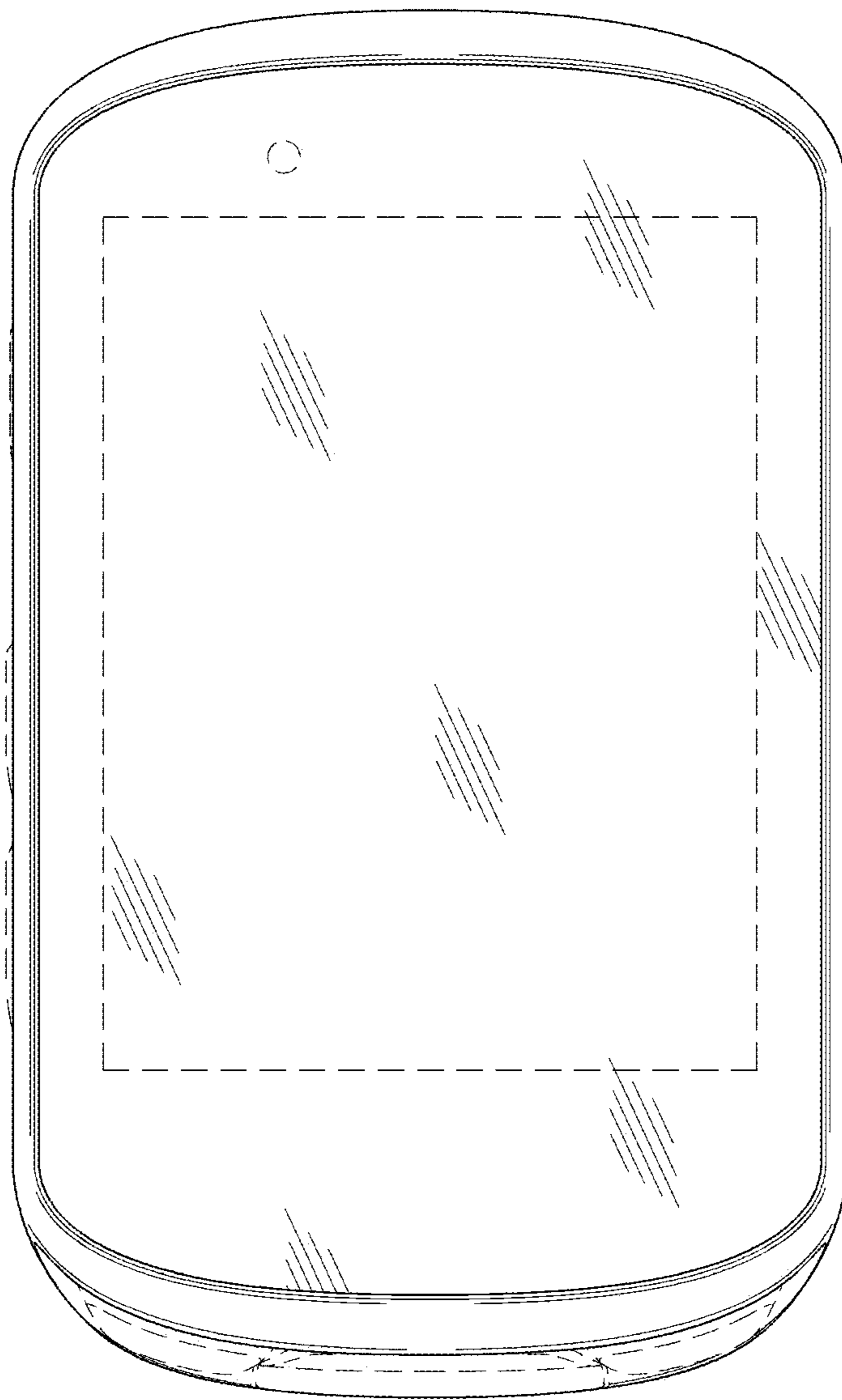


Fig. 3

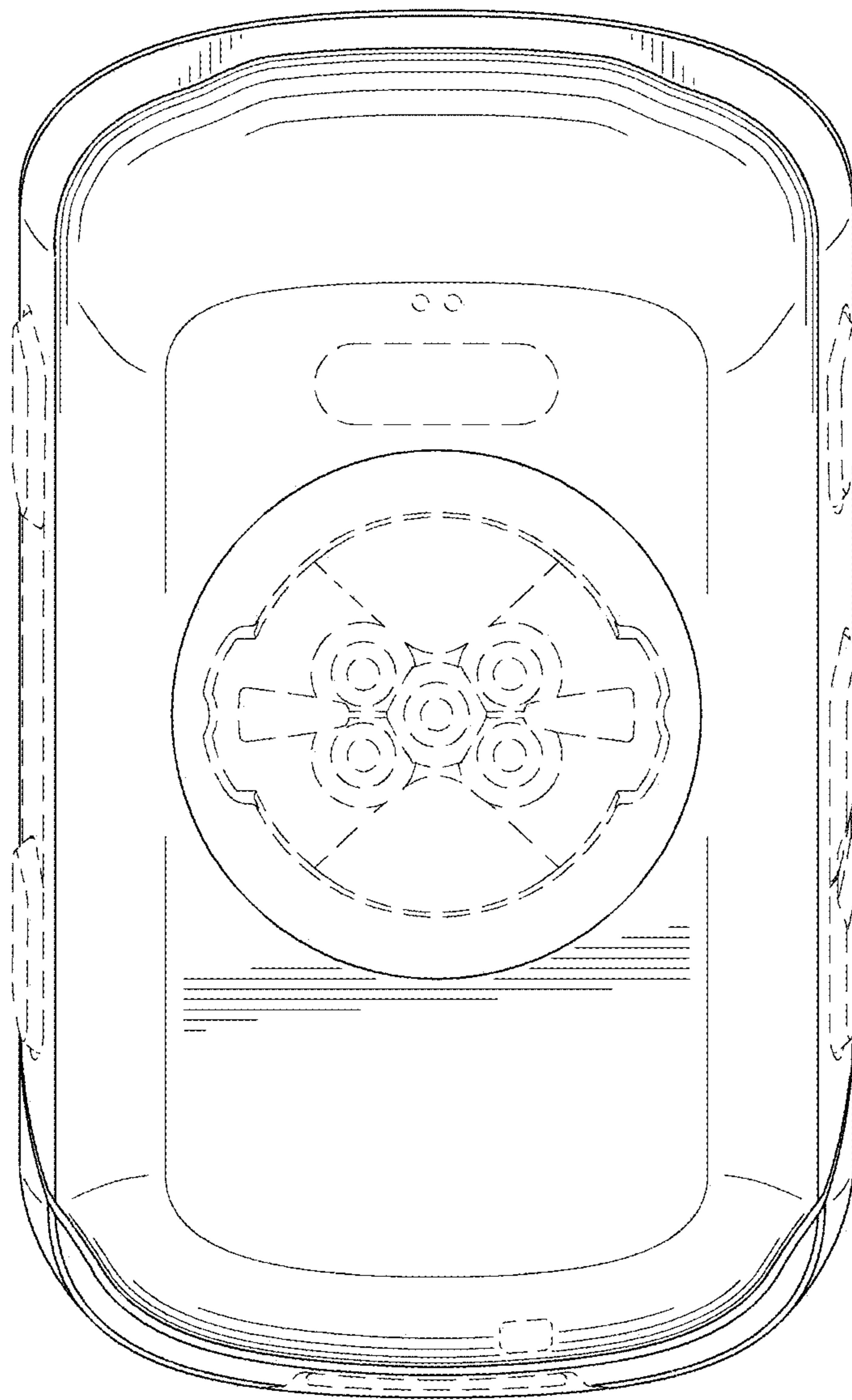


Fig. 4

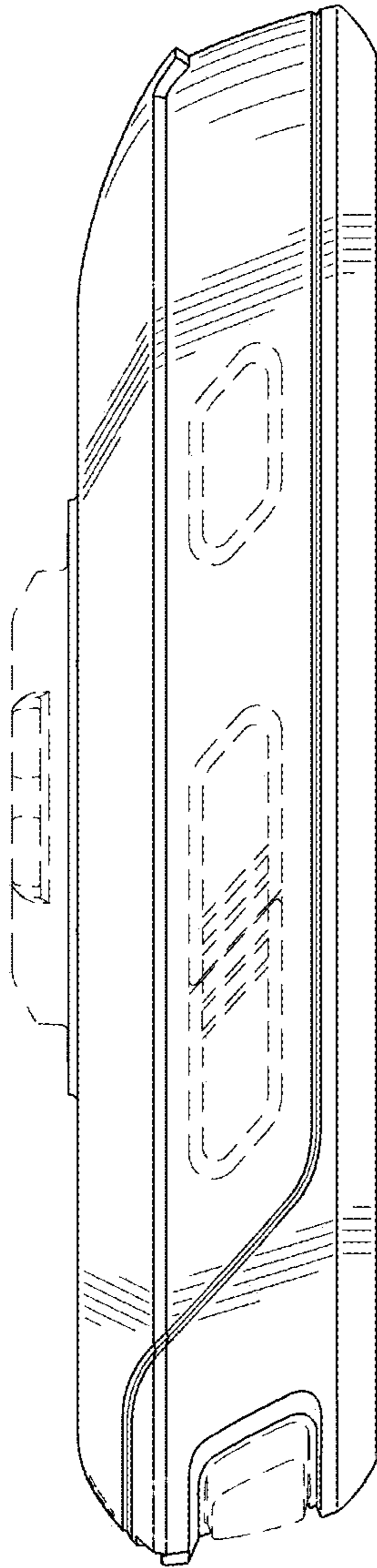


Fig. 5

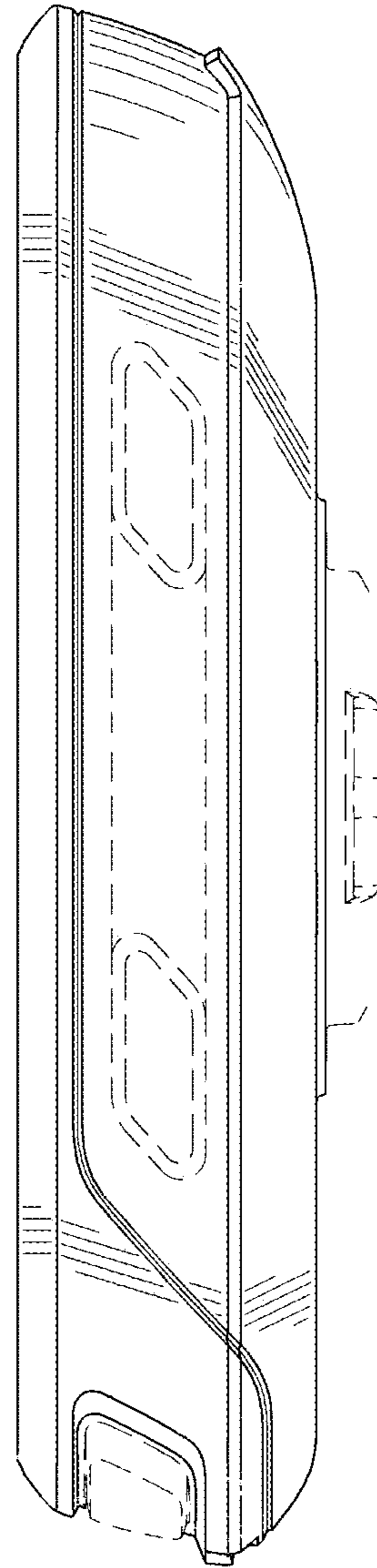


Fig. 6

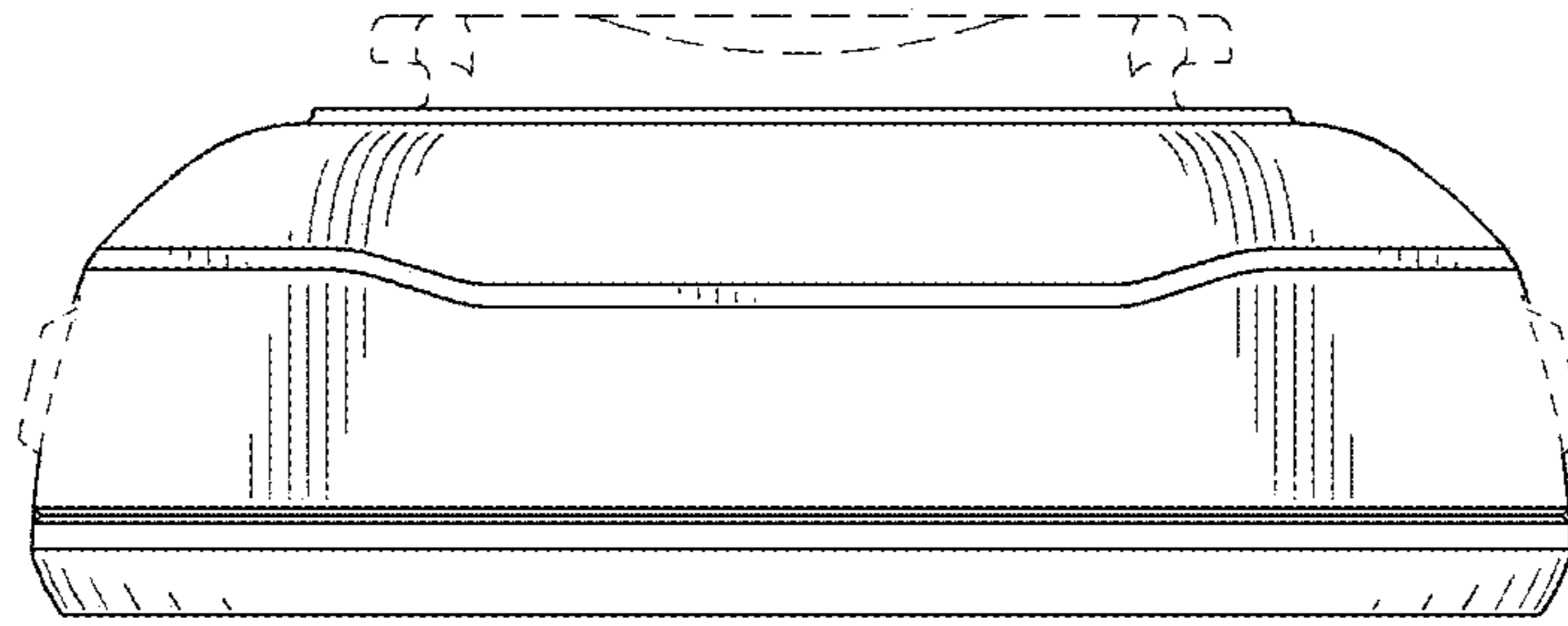


Fig. 7

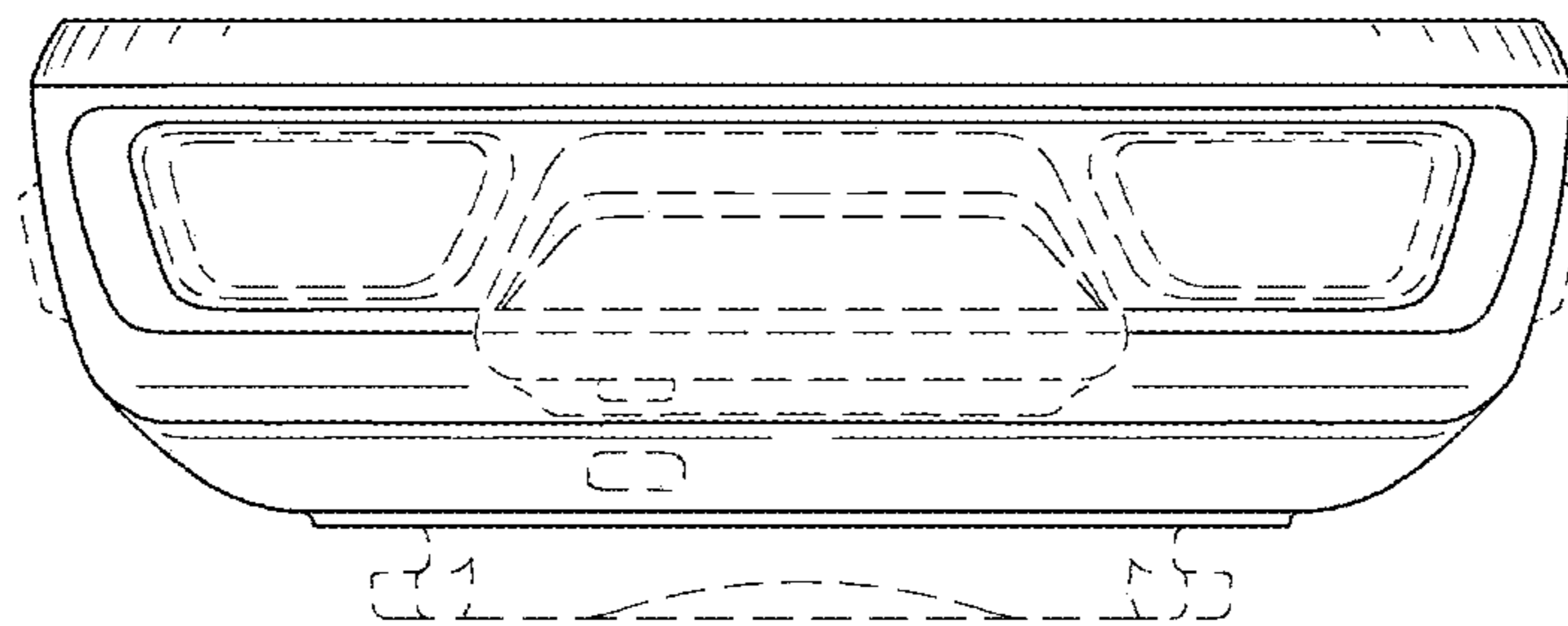


Fig. 8