



US00D905579S

(12) **United States Design Patent**
Yang

(10) **Patent No.:** **US D905,579 S**

(45) **Date of Patent:** **** Dec. 22, 2020**

(54) **GAUGE**

(71) Applicant: **Wenhan Yang**, Huizhou (CN)

(72) Inventor: **Wenhan Yang**, Huizhou (CN)

(**) Term: **15 Years**

(21) Appl. No.: **29/737,394**

(22) Filed: **Jun. 9, 2020**

(30) **Foreign Application Priority Data**

May 21, 2020 (CN) 2020 3 0238525

(51) **LOC (12) Cl.** **10-04**

(52) **U.S. Cl.**
USPC **D10/65; D10/71**

(58) **Field of Classification Search**
USPC D10/65, 71
CPC G01B 3/16; G01B 3/163; G01B 3/166;
G01B 3/56; G01B 3/563; G01B
2003/1087; G01B 2003/1089; G01B
2003/1092; G01B 2003/1094; G01B
2003/1097

See application file for complete search history.

(56) **References Cited**

U.S. PATENT DOCUMENTS

4,468,860 A * 9/1984 Rodengen G01B 3/166
33/1 C
7,752,765 B2 * 7/2010 Shapiro G01B 3/563
33/471

D811,908 S 3/2018 Nethercote
10,345,090 B2 * 7/2019 Ostachowski G01B 3/563
D869,967 S * 12/2019 Turley D10/65
D878,224 S 3/2020 Hale

* cited by examiner

Primary Examiner — Antoine Duval Davis

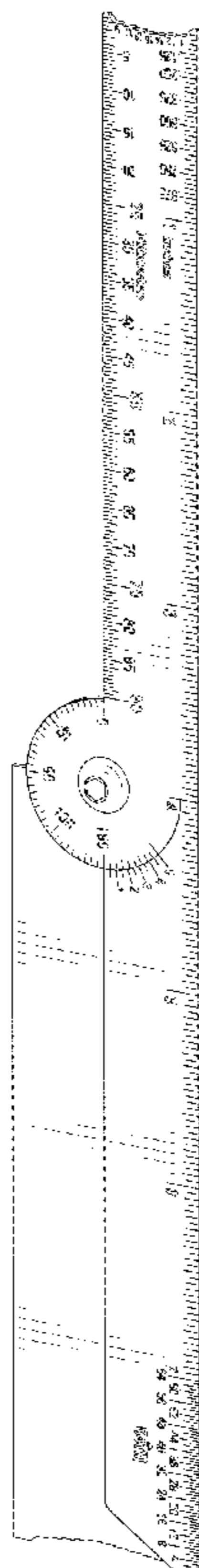
(57) **CLAIM**

The ornamental design for a gauge as shown and described.

DESCRIPTION

FIG. 1 is a perspective view of a gauge showing my new design;
FIG. 2 is another perspective view thereof;
FIG. 3 is a front elevational view thereof;
FIG. 4 is a rear elevational view thereof;
FIG. 5 is a left side elevational view thereof;
FIG. 6 is a right side elevational view thereof;
FIG. 7 is a top plan view thereof;
FIG. 8 is a bottom plan view thereof; and,
FIG. 9 is a perspective view of the gauge where the gauge is in a configuration of use.

1 Claim, 9 Drawing Sheets



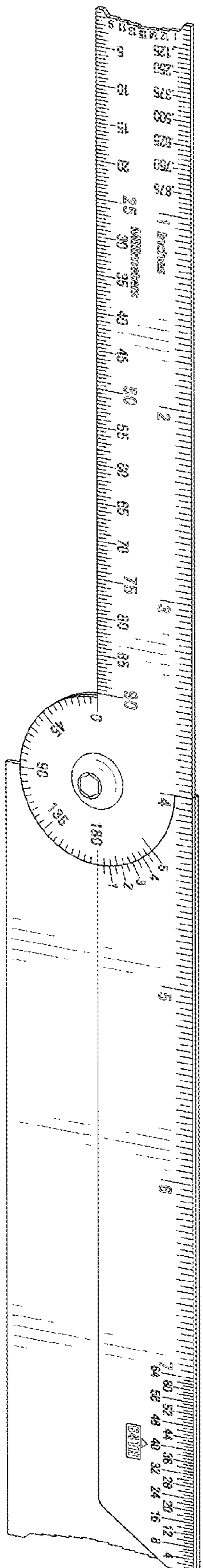


FIG. 1

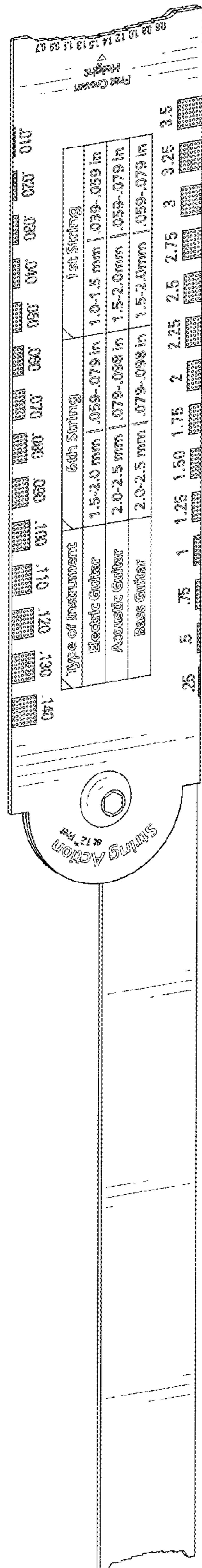


FIG. 2

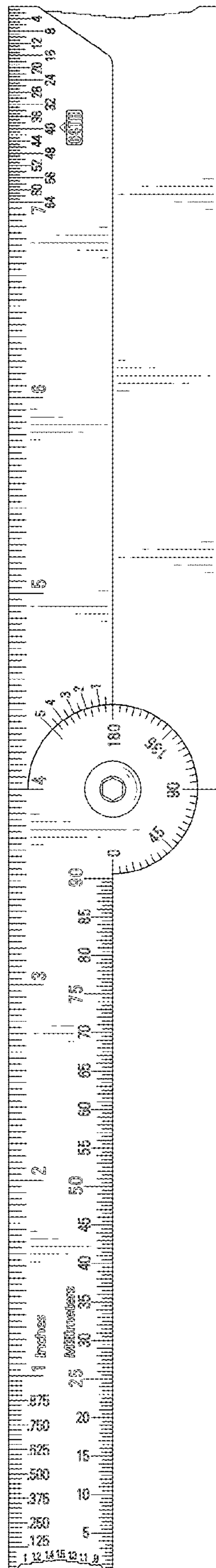


FIG. 3

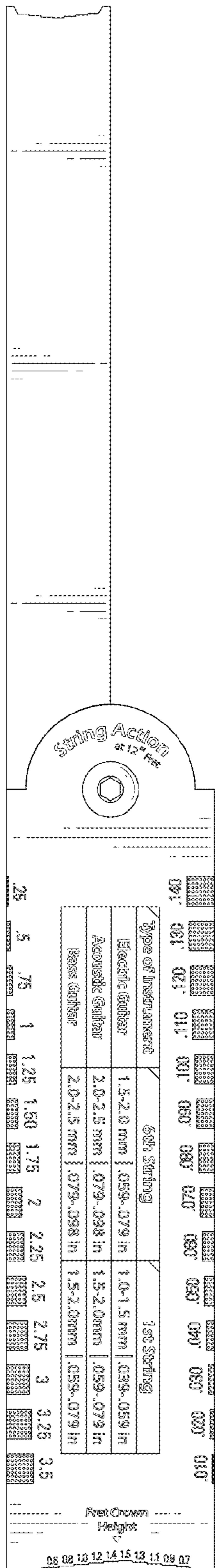


FIG. 4

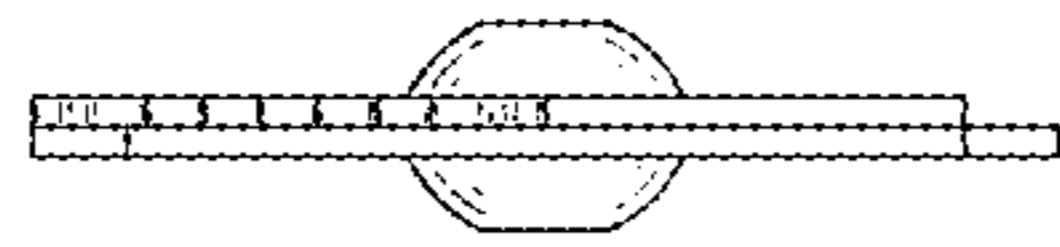


FIG. 5

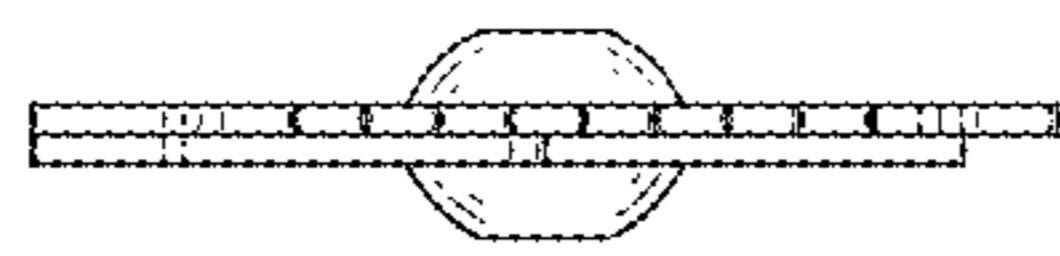


FIG. 6

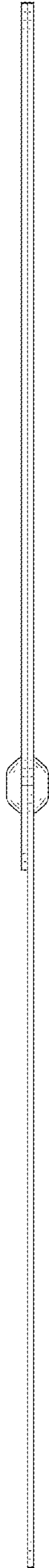


FIG. 7

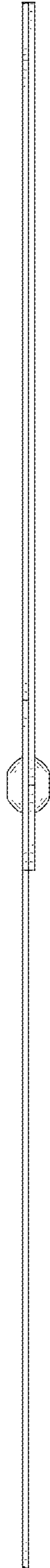


FIG. 8

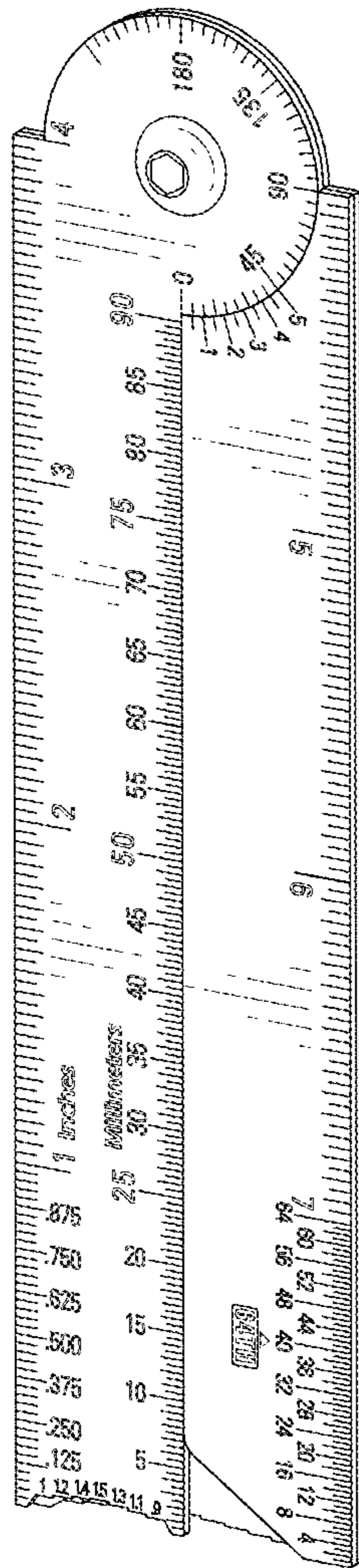


FIG. 9