



US00D905578S

(12) **United States Design Patent** (10) **Patent No.:** **US D905,578 S**
Parmigiani (45) **Date of Patent:** **** *Dec. 22, 2020**

(54) **WATCH**
(71) Applicant: **PARMIGIANI FLEURIER S.A.,**
Fleurier (CH)
(72) Inventor: **Michel Parmigiani, Fleurier (CH)**
(73) Assignee: **Parmigiani Fleurier SA**
(*) Notice: This patent is subject to a terminal disclaimer.

D616,782 S * 6/2010 Chastaingt D10/126
D617,213 S * 6/2010 Dolce D10/38
D642,076 S * 7/2011 Chastaingt D10/39
D645,361 S * 9/2011 Parmigiani D10/38
D690,208 S * 9/2013 Sasaki D10/32
D705,085 S * 5/2014 Monachon D10/34
D748,501 S * 2/2016 Cerrato D10/30
D761,680 S * 7/2016 Plange D10/126
D781,721 S * 3/2017 Abdourahim D10/38
D821,905 S * 7/2018 Ruffieux D10/126
D856,163 S * 8/2019 Berneron D10/39

(**) Term: **15 Years**
(21) Appl. No.: **29/697,223**
(22) Filed: **Jul. 5, 2019**

FOREIGN PATENT DOCUMENTS

CN 200830159074 * 10/2008
FR 1291103 A * 4/1962 C04B 19/25306
WO WO-D082612-003 * 1/2014

(30) **Foreign Application Priority Data**

Jan. 8, 2019 (WO) DM/200469

(51) **LOC (12) Cl.** **10-02**
(52) **U.S. Cl.**
USPC **D10/39**

(58) **Field of Classification Search**
USPC D10/1, 30-39, 122-126
CPC G04B 37/00; G04B 37/0008; G04B 37/04;
G04B 37/06; G04B 37/12; G04B 37/18;
G04B 39/00; G04B 39/002; G04B
39/004; G04B 39/008; G04B 39/02;
G04B 19/00; G04B 19/02; G04B 19/04;
G04B 19/06; G04B 19/08; G04B 19/20
See application file for complete search history.

OTHER PUBLICATIONS

Youtube, Orient Sun and Moon—A Classic Dress Watch, posted Nov. 19, 2015, [online], [visited Jul. 8, 2020]. Internet, <URL: <https://www.youtube.com/watch?v=xSMRaUKx0vc>> (Year: 2015).*

* cited by examiner

Primary Examiner — Sheryl Lane
Assistant Examiner — Samantha N Wood
(74) *Attorney, Agent, or Firm* — Galbreath Law Offices, P.C.; John A. Galbreath

(56) **References Cited**

U.S. PATENT DOCUMENTS

3,258,907 A * 7/1966 Hamblin G04B 19/25373
368/35
D339,990 S * 10/1993 Polenberg D10/126
7,120,091 B1 * 10/2006 Lizzi G04B 19/247
368/37
D584,171 S * 1/2009 Monachon D10/32

(57) **CLAIM**
The ornamental design for a watch, as shown and described.

DESCRIPTION

FIG. 1 is a top plan view of a watch showing my new design; FIG. 2 is a bottom plan view thereof; FIG. 3 is a rear elevational view thereof; FIG. 4 is a front elevational view thereof; FIG. 5 is a left side elevational view thereof; FIG. 6 is a right side elevational view thereof; and, FIG. 7 is a top right perspective view thereof.

1 Claim, 7 Drawing Sheets





Fig. 1

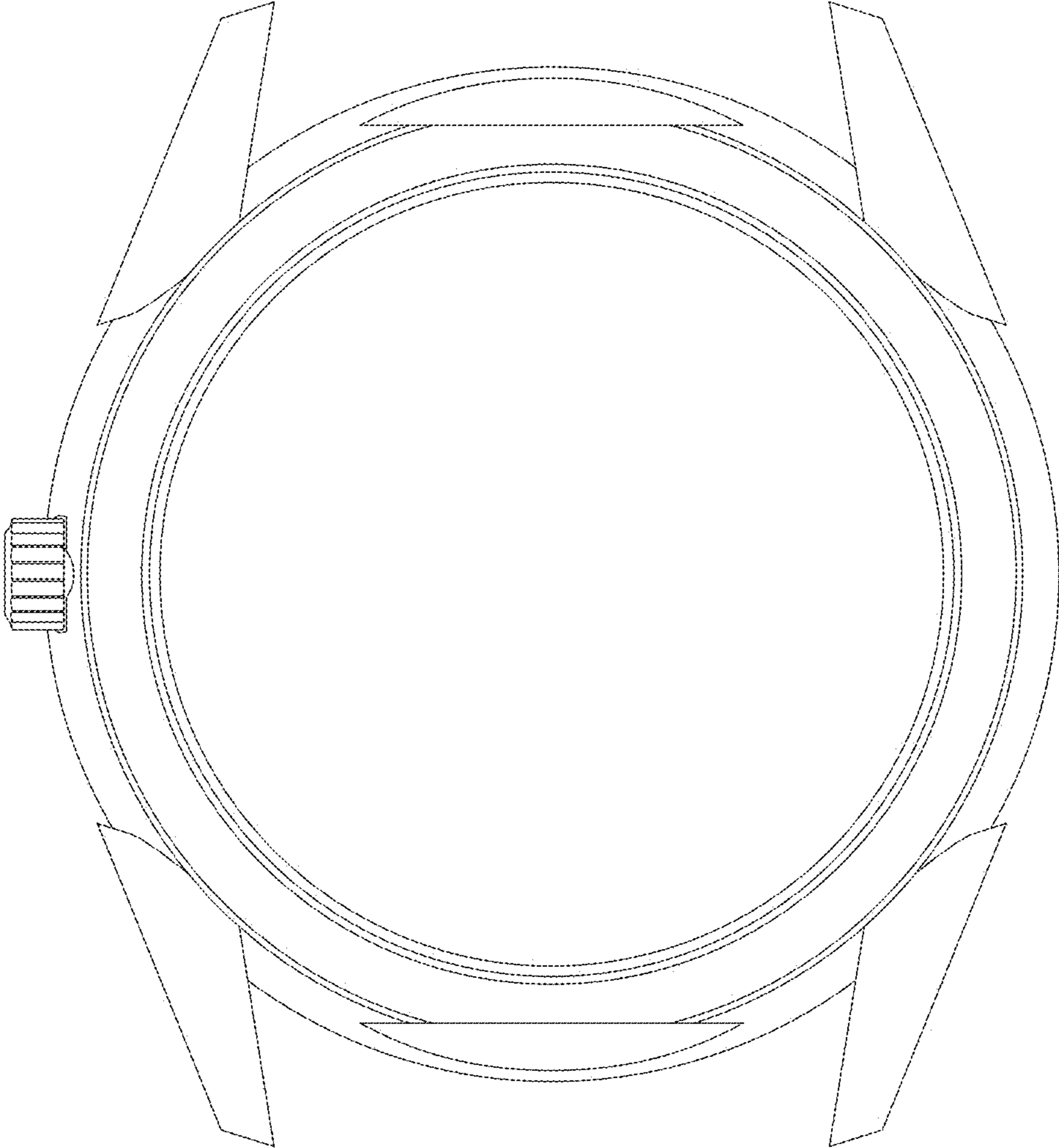


Fig. 2

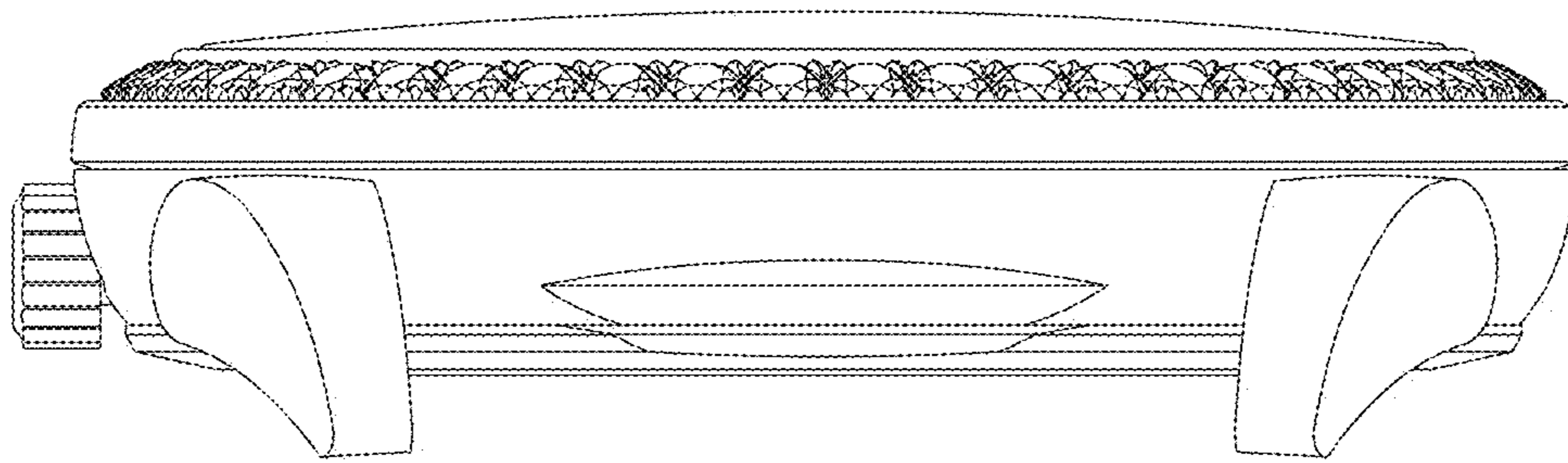


Fig. 3

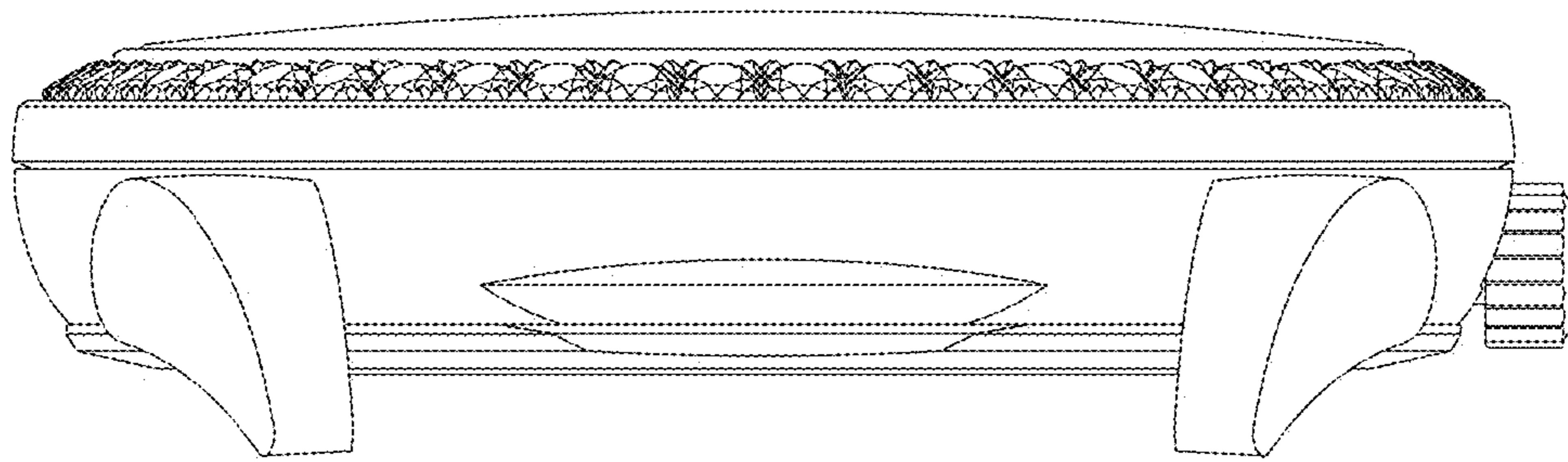


Fig. 4

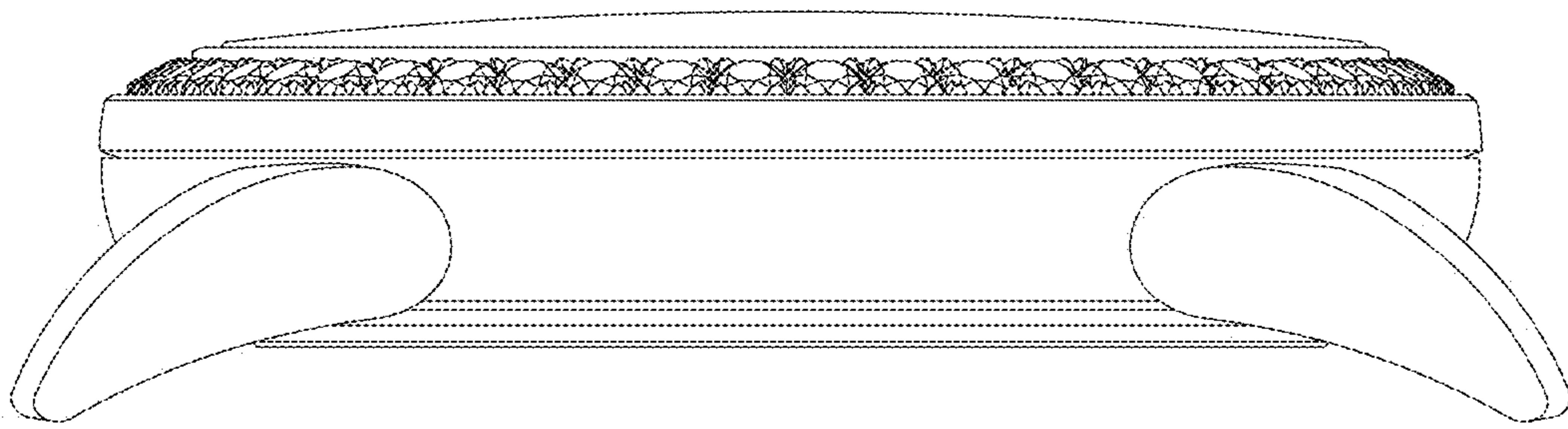


Fig. 5

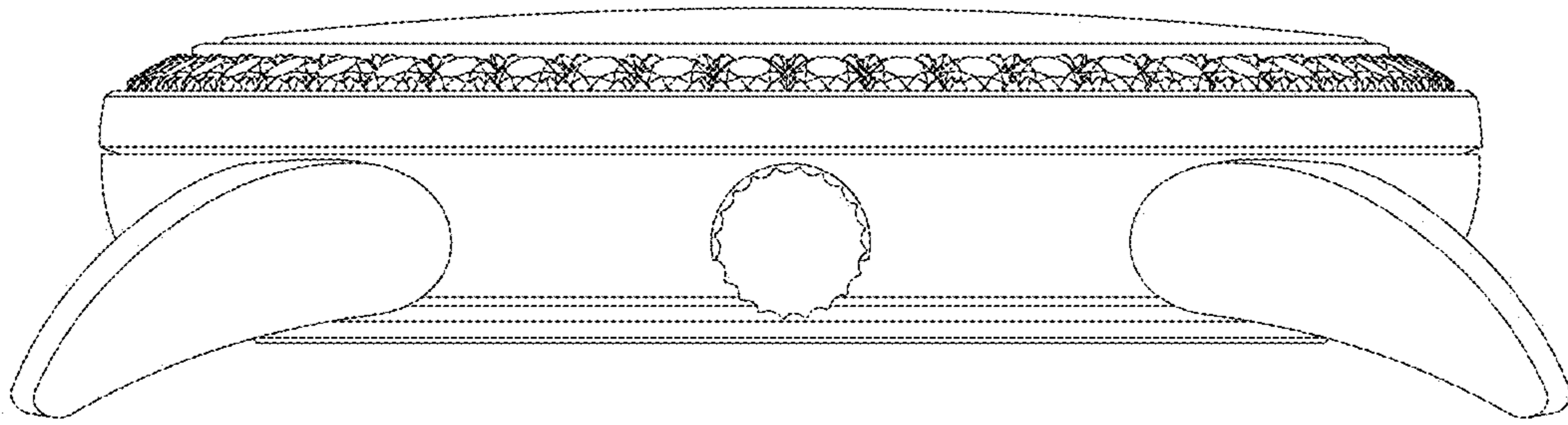


Fig. 6



Fig. 7