



US00D905577S

(12) **United States Design Patent** (10) **Patent No.:** **US D905,577 S**  
**Valzan** (45) **Date of Patent:** **\*\* Dec. 22, 2020**

(54) **WATCH**

(71) Applicant: **Harry Winston SA**, Plan-les-Ouates (CH)

(72) Inventor: **Sophie Valzan**, Plan-les-Ouates (CH)

(73) Assignee: **Harry Winston SA**, Plan-les-Ouates (CH)

(\*\*) Term: **15 Years**

(21) Appl. No.: **29/698,450**

(22) Filed: **Jul. 17, 2019**

(30) **Foreign Application Priority Data**

Jan. 17, 2019 (WO) ..... DM/200356

(51) **LOC (12) Cl.** ..... **10-02**

(52) **U.S. Cl.**  
USPC ..... **D10/38**

(58) **Field of Classification Search**  
USPC ..... D10/30, 31, 32, 33, 34, 35, 36, 37, 38,  
D10/39, 122, 124, 125, 126, 123  
CPC ..... G04B 19/00; G04B 19/02; G04B 19/04;  
G04B 19/042; G04B 19/06; G04B 19/10;  
G04B 19/103; G04B 19/106; G04B  
19/12; G04B 37/00; G04B 37/0008;  
G04B 37/0016; G04B 37/0033; G04B  
37/16; G04B 37/18  
See application file for complete search history.

(56) **References Cited**

**U.S. PATENT DOCUMENTS**

D71,372 S \* 11/1926 Fahys ..... D10/38  
D288,067 S \* 2/1987 Bonnet ..... D10/39  
D294,010 S \* 2/1988 Bouchet ..... D10/30  
D514,960 S \* 2/2006 Deleskiewicz ..... D10/38

D588,943 S \* 3/2009 Fasciano ..... D10/38  
D677,586 S \* 3/2013 Graff ..... D10/39  
D705,085 S \* 5/2014 Monachon ..... D10/34  
D727,178 S \* 4/2015 Abdourahim ..... D10/39  
D737,694 S \* 9/2015 Engelbrecht ..... D10/39  
D798,741 S \* 10/2017 Graff ..... D10/30  
D800,581 S \* 10/2017 Valzan ..... D10/30  
D811,921 S \* 3/2018 Rabassa ..... D10/132  
2004/0071048 A1 \* 4/2004 Ellner ..... G04B 37/0016  
368/281

**FOREIGN PATENT DOCUMENTS**

JP D200-5710 \* 3/2000

**OTHER PUBLICATIONS**

Empressissi, 1926 Longines Gents Art Deco Octagon Watch, manufactured 1926, [online], [visited Aug. 25, 2020]. Internet, <URL: <https://empress.cc/products/1926-longines-gents-art-deco-octagon-watch>> (Year: 1926).\*

(Continued)

*Primary Examiner* — Sheryl Lane  
*Assistant Examiner* — Samantha N Wood  
(74) *Attorney, Agent, or Firm* — Blank Rome LLP

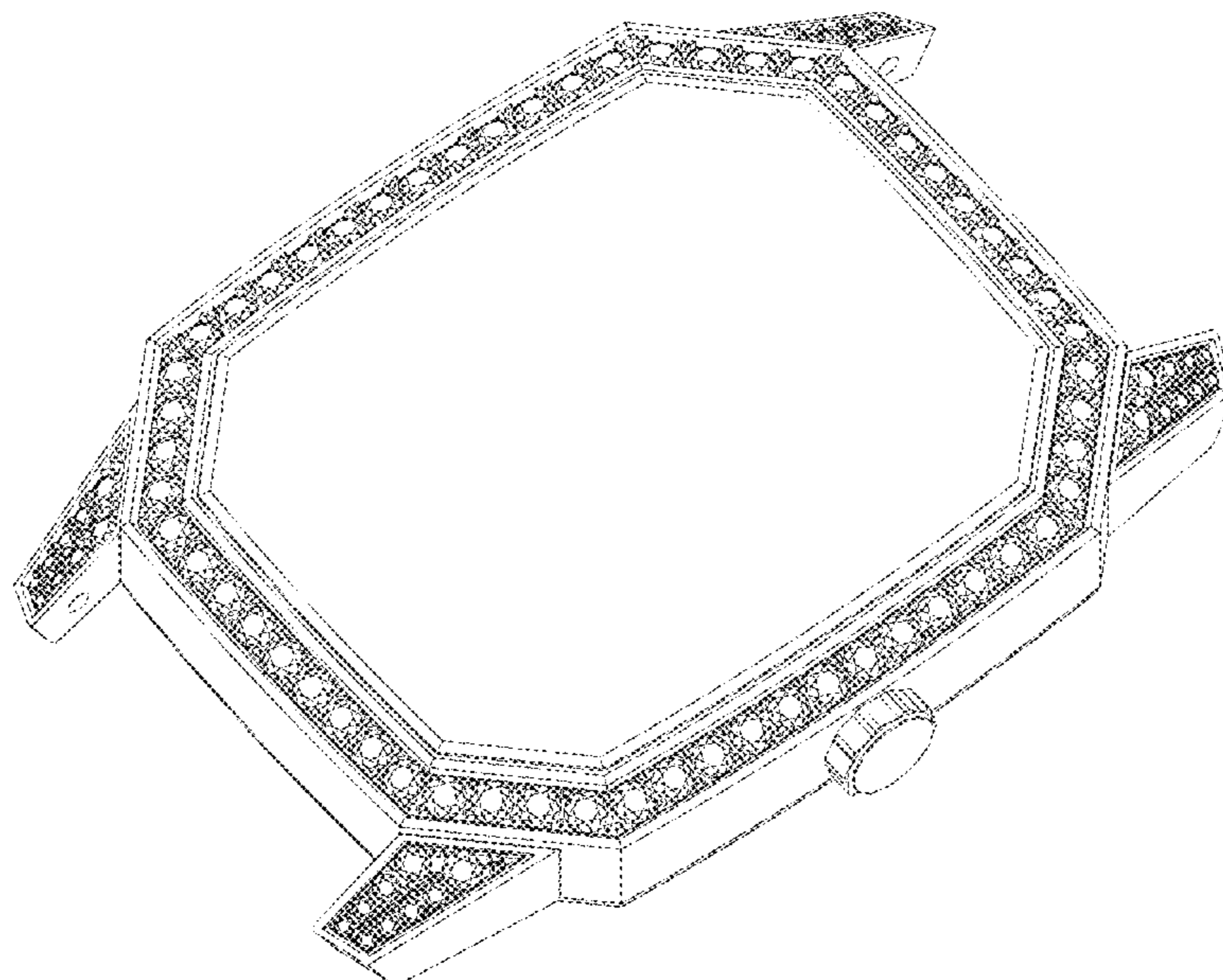
(57) **CLAIM**

The ornamental design for a watch, as shown and described.

**DESCRIPTION**

FIG. 1 is a front view of a watch of the present design;  
FIG. 2 is a rear view thereof;  
FIG. 3 is a left side view thereof;  
FIG. 4 is a top view thereof;  
FIG. 5 is a right side view thereof;  
FIG. 6 is a bottom view thereof;  
FIG. 7 is a front perspective view thereof; and,  
FIG. 8 is a rear perspective view thereof.

**1 Claim, 8 Drawing Sheets**



(56)

**References Cited**

OTHER PUBLICATIONS

Amazon, Guess Men's Stainless Steel Diamond Dial Watch, posted Oct. 14, 2016, [online], [visited Aug. 26, 2020]. Internet, <URL: <https://www.amazon.co.uk/Guess-Stainless-Steel-Diamond-Rectangular/dp/B01H52F2RG/ref>> (Year: 2016).\*

Amazon, Carrera Women's Analogue Quartz Watch, posted Nov. 6, 2017, [online], [visited Aug. 26, 2020]. Internet, <URL: <https://www.amazon.co.uk/Carrera-Womens-Analogue-Leather-cw58612-103021/dp/B000N8CMRI/ref>> (Year: 2017).\*

Amazon, New Raymond Weil Tango Watch, posted Aug. 12, 2012, [online], [visited Aug. 26, 2020]. Internet, <URL: <https://www.amazon.co.uk/RAYMOND-TANGO-LADIES-WATCH-5971-STS-00995/dp/B0081L7YIQ/ref>> (Year: 2012).\*

\* cited by examiner



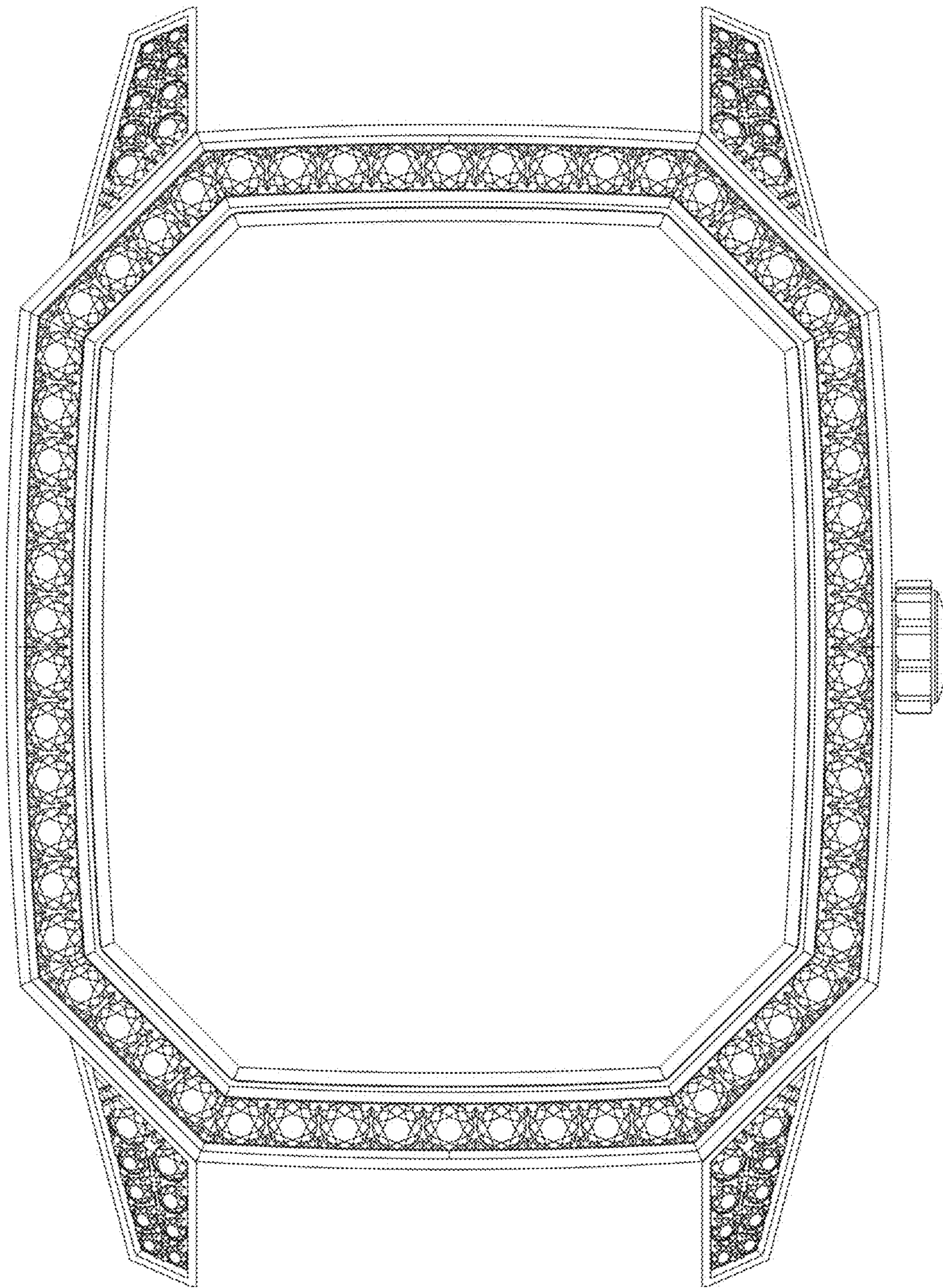


FIG 1

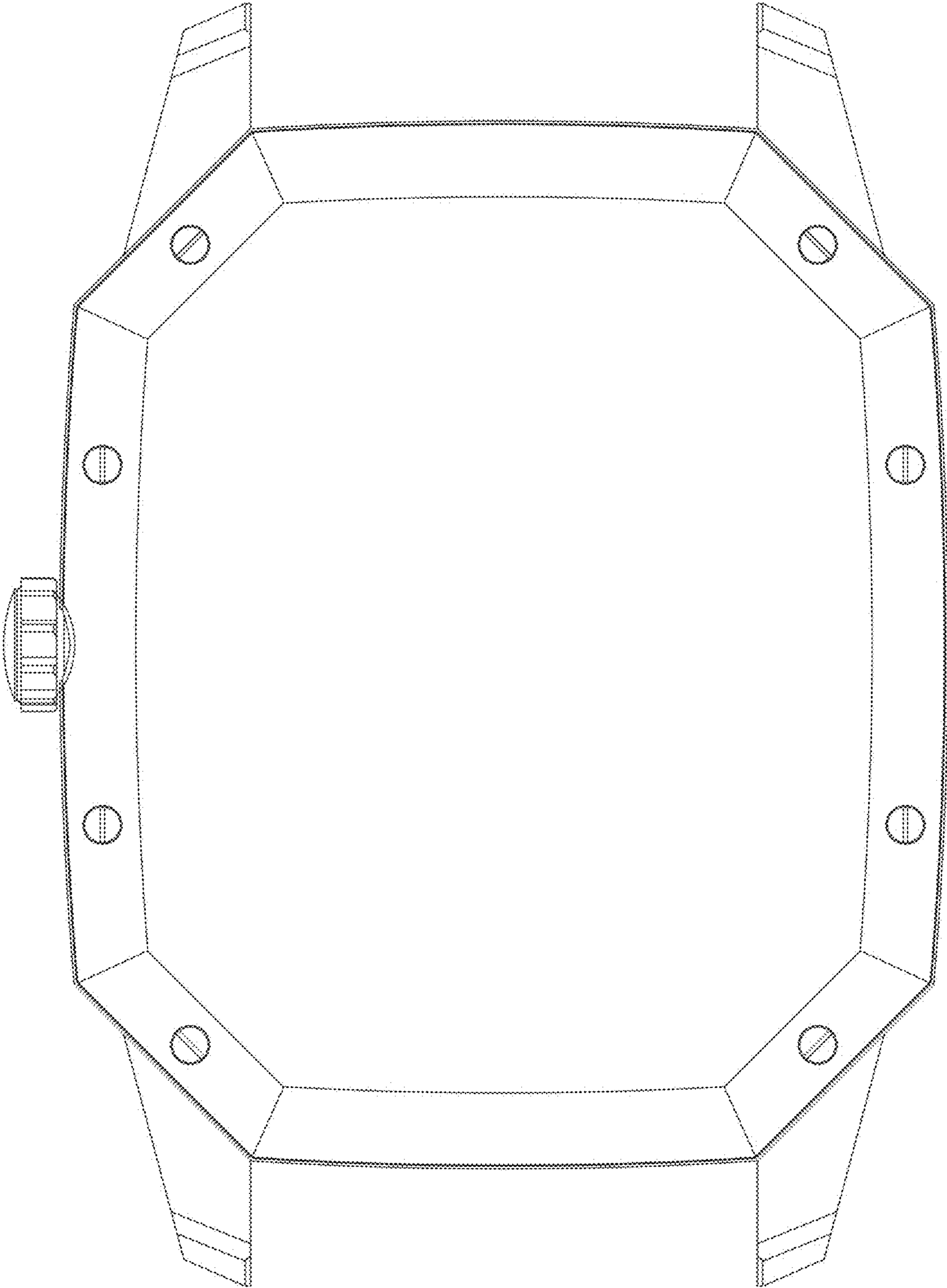


FIG 2

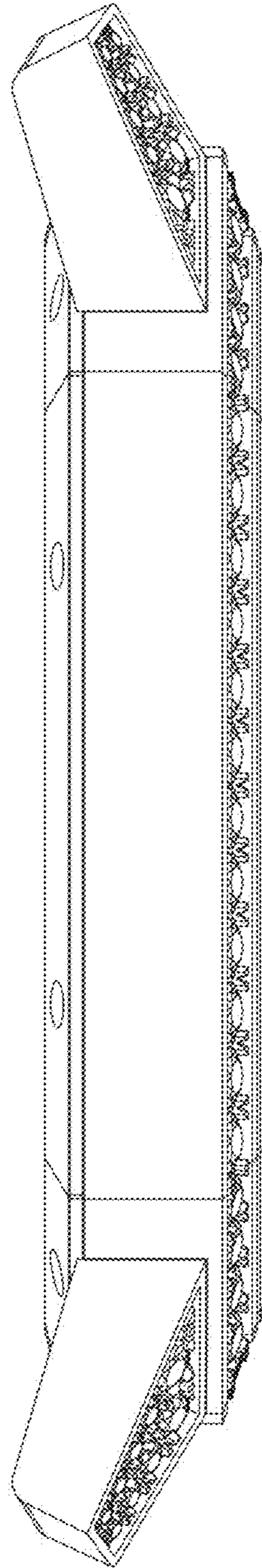


FIG 3



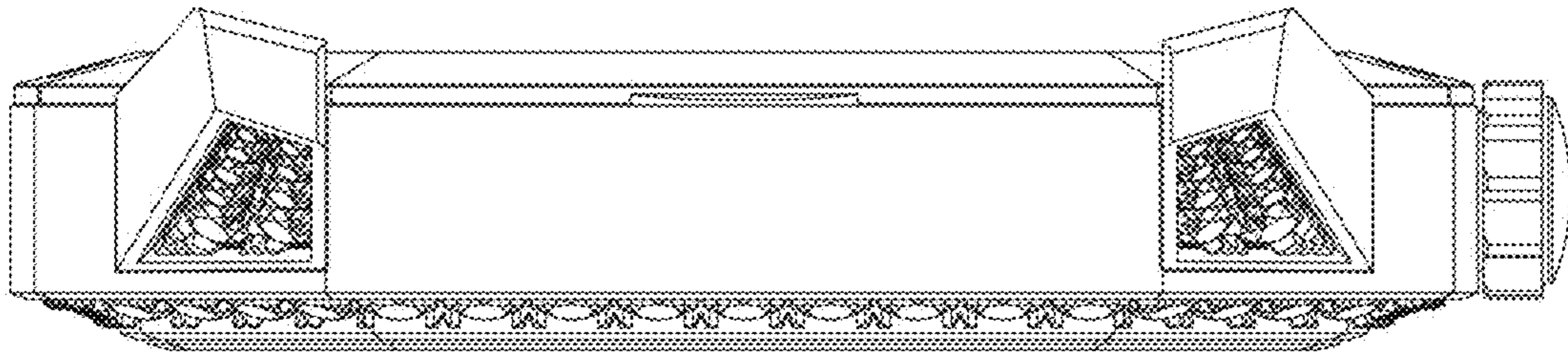


FIG 4

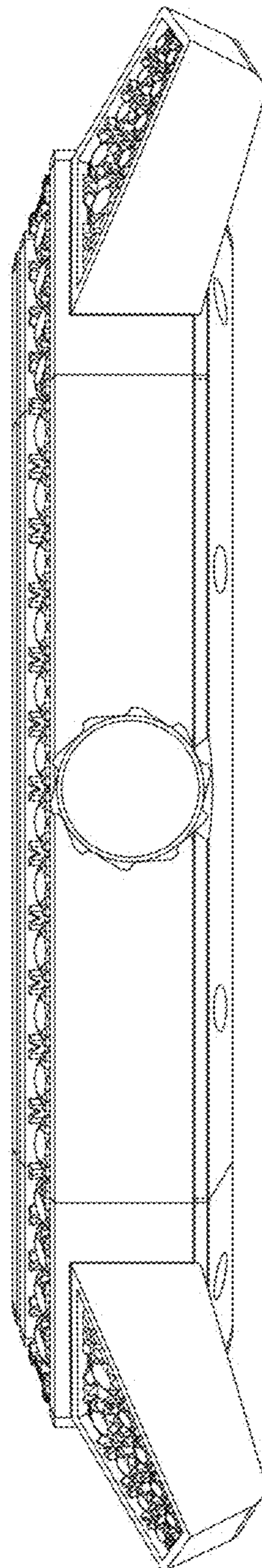


FIG 5

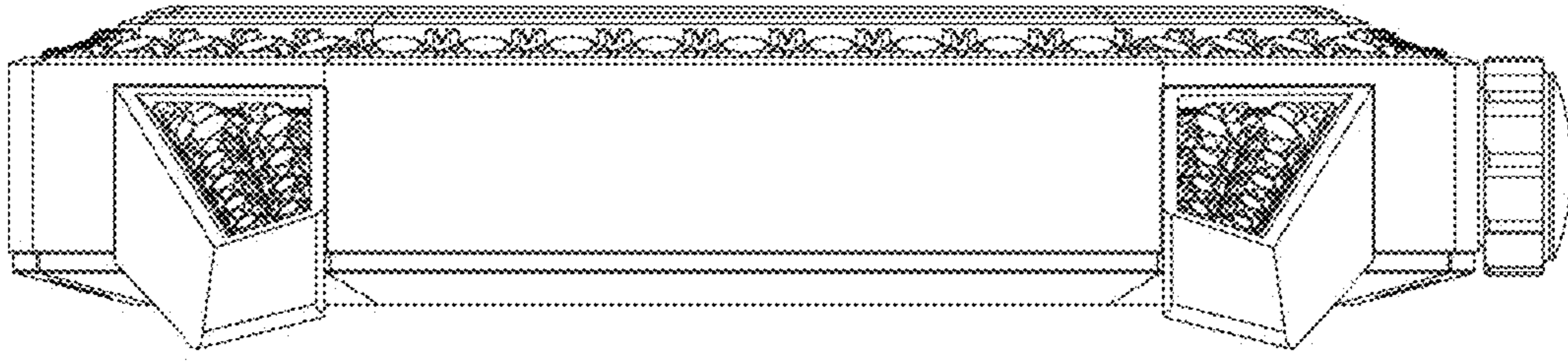


FIG 6



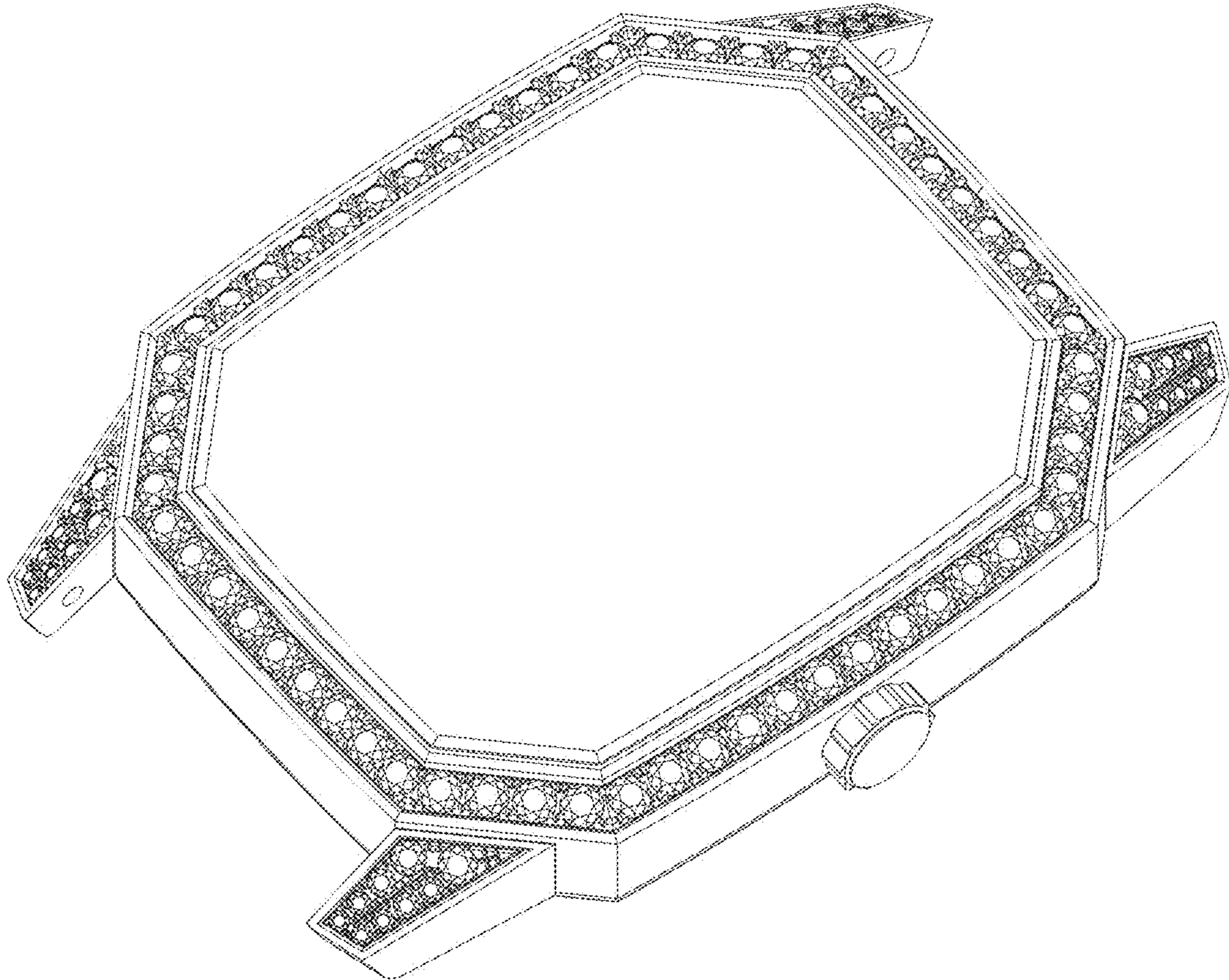


FIG 7

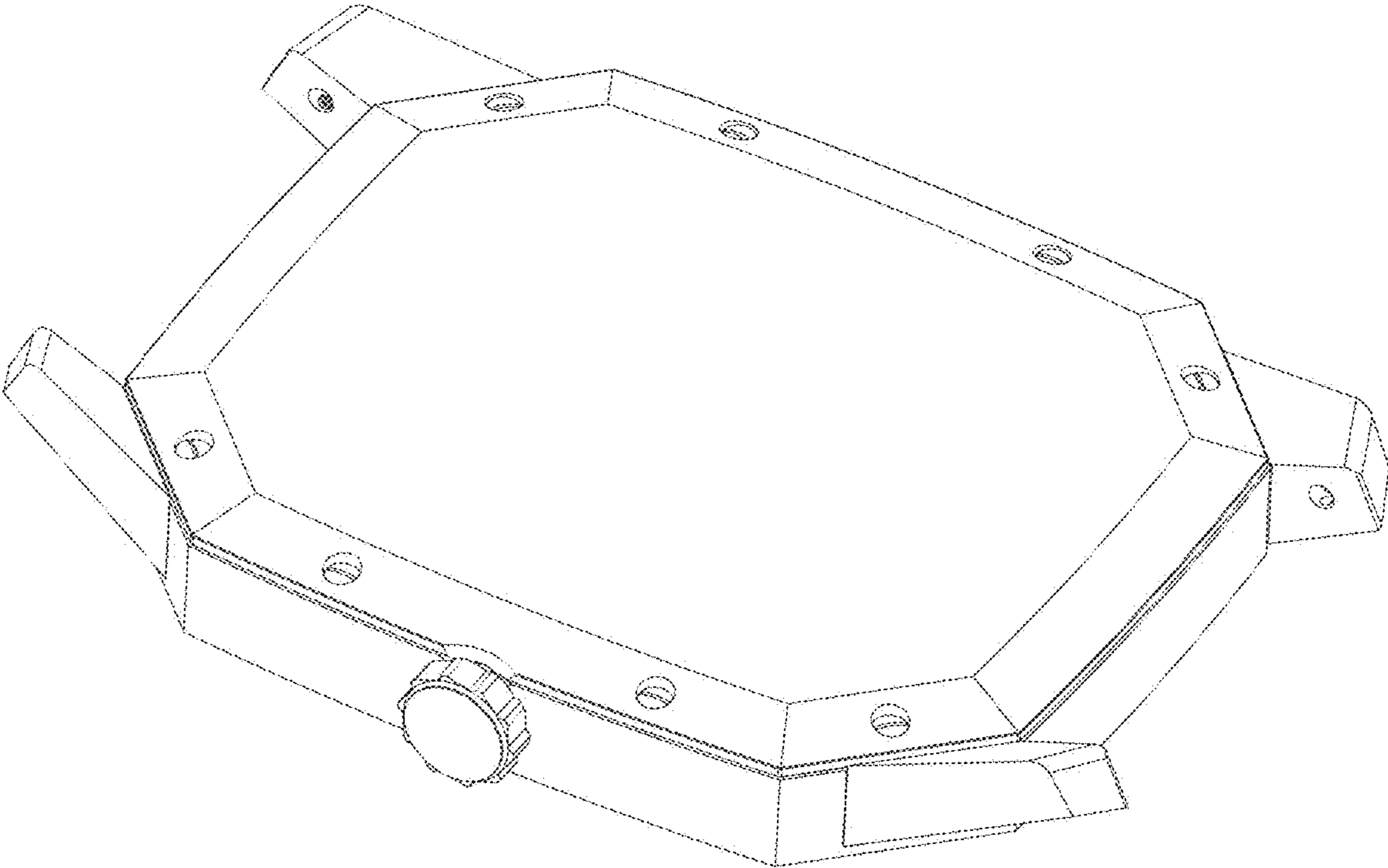


FIG 8