



US00D905576S

(12) **United States Design Patent** (10) **Patent No.:** **US D905,576 S**  
**Lillquist et al.** (45) **Date of Patent:** **\*\* Dec. 22, 2020**

(54) **WATCH WITH DISPLAY**  
(71) Applicant: **Garmin Switzerland GmbH**,  
Schaffhausen (CH)  
(72) Inventors: **Robert S. Lillquist**, Overland Park, KS  
(US); **Brian S. Ide**, Westwood, KS  
(US); **Jacob O. Borth**, Olathe, KS (US)  
(73) Assignee: **Garmin Switzerland GmbH**

(\*\*) Term: **15 Years**

(21) Appl. No.: **29/664,871**

(22) Filed: **Sep. 28, 2018**

(51) **LOC (12) Cl.** ..... **10-02**

(52) **U.S. Cl.**  
USPC ..... **D10/38**; D14/344

(58) **Field of Classification Search**  
USPC .... D10/30-39, 40-41, 65, 70, 97-98, 104.2,  
D10/116.1, 122, 128, 132; D14/344, 440;  
D24/167, 186  
CPC ..... G04B 19/18; G04B 19/22; G04B 19/23;  
G04B 19/228; G04B 37/00; G04B  
39/002; G04B 39/006; G04B 39/02;  
G04C 19/04; G04F 7/08; G04F 7/0842;  
G04F 7/0861; G04F 7/0871; G04F  
7/0876; G04G 17/02; G04G 17/045;  
G04G 17/08; G04G 21/08; G04G 9/00  
See application file for complete search history.

(56) **References Cited**

**U.S. PATENT DOCUMENTS**

D366,425 S \* 1/1996 Hirose ..... D10/31  
D378,575 S \* 3/1997 Houlihan ..... D10/30  
D379,324 S \* 5/1997 Osit ..... D10/128  
D380,392 S \* 7/1997 Kennedy ..... D10/30  
D384,293 S \* 9/1997 Woo ..... D10/30  
D406,073 S \* 2/1999 Clemons ..... D10/104.2  
D432,025 S \* 10/2000 Mc Linden ..... D10/30

D449,231 S \* 10/2001 Giardiello ..... D10/128  
D473,480 S \* 4/2003 Jarvis ..... D10/30  
D536,994 S \* 2/2007 Sugisawa ..... D10/31  
D576,890 S \* 9/2008 El Kadiri ..... D10/30  
D578,902 S \* 10/2008 Hoshino ..... D10/128  
D605,531 S \* 12/2009 Salmon ..... D10/31  
D616,783 S \* 6/2010 Chastaingt ..... D10/128  
D659,025 S \* 5/2012 Yurman ..... D10/32  
D682,712 S \* 5/2013 Lammers-Meis ..... D10/38  
D751,927 S \* 3/2016 Li ..... D10/126

(Continued)

**OTHER PUBLICATIONS**

Printout from <https://www.casio.com/products/watches/g-shock/q9300-1>, published prior to Sep. 28, 2018.

(Continued)

*Primary Examiner* — Katherine Glennon

(74) *Attorney, Agent, or Firm* — Samuel M. Korte; Max M. Ali

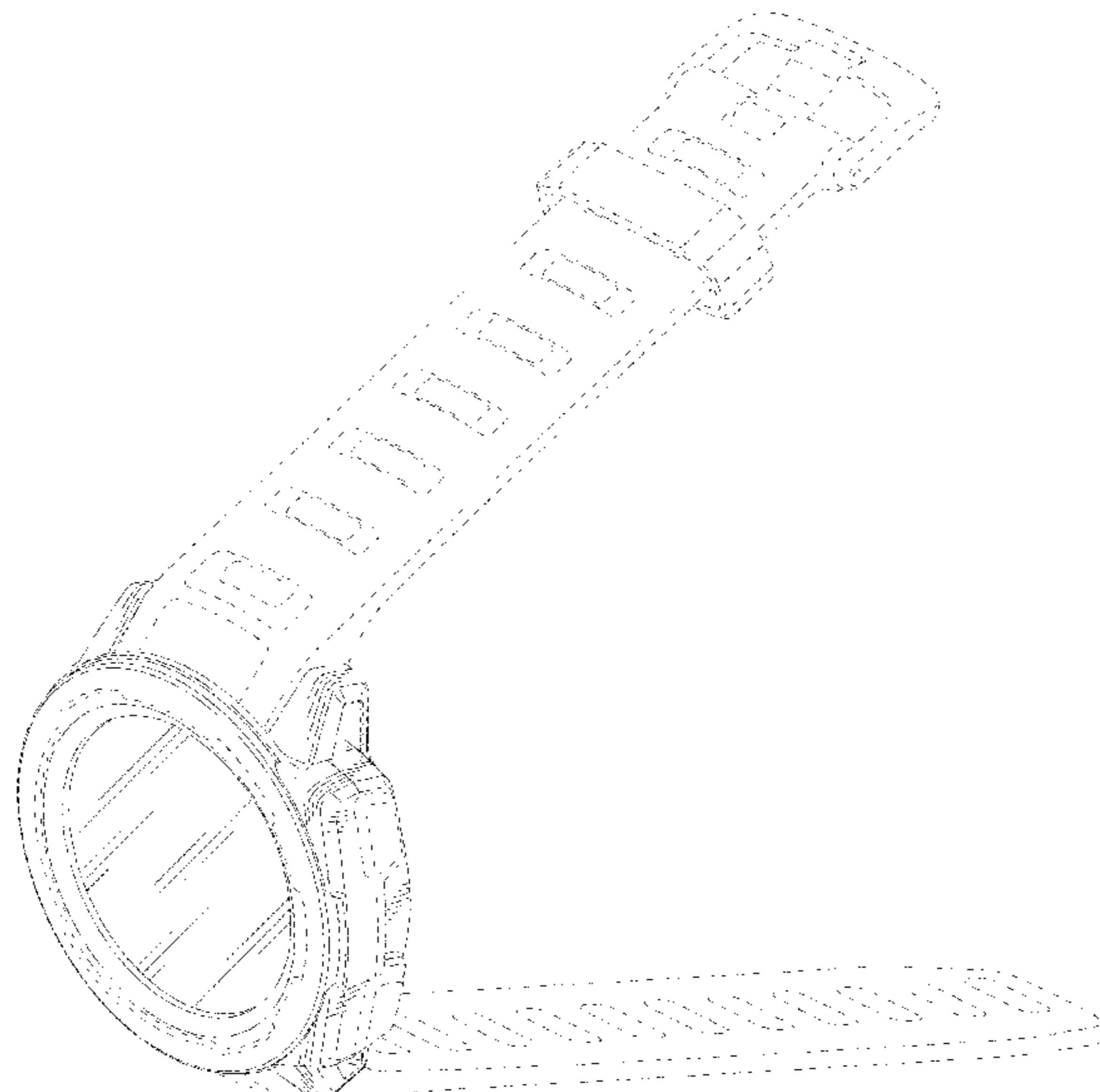
(57) **CLAIM**

The ornamental design for a watch with display, as shown and described.

**DESCRIPTION**

FIG. 1 is a front perspective view of a watch with display according to the present invention;  
FIG. 2 is a rear perspective view of the watch with display;  
FIG. 3 is a top view of the watch with display;  
FIG. 4 is a front view of the watch with display;  
FIG. 5 is a bottom view of the watch with display;  
FIG. 6 is a rear view of the watch with display;  
FIG. 7 is a left side view of the watch with display; and,  
FIG. 8 is a right side view of the watch with display.  
The broken lines shown in the drawings represent portions of the watch with display that form no part of the claimed design.

**1 Claim, 8 Drawing Sheets**



(56)

**References Cited**

U.S. PATENT DOCUMENTS

D760,606	S	*	7/2016	Bonadei	.....	D10/128
D799,702	S	*	10/2017	Wong	.....	D24/186
D805,405	S	*	12/2017	Henne	.....	D10/30
D814,946	S	*	4/2018	Emmenegger	.....	D10/39
D814,947	S	*	4/2018	Emmenegger	.....	D10/39
D819,627	S	*	6/2018	Boukai	.....	D14/344
D821,231	S	*	6/2018	Pan	.....	D10/70
D867,195	S	*	11/2019	Okazaki	.....	D10/128
10,474,194	B1	*	11/2019	Ell	.....	H01F 38/14
D868,779	S	*	12/2019	Reivo	.....	D14/344
10,611,445	B1	*	4/2020	Earl	.....	B63C 11/26
D883,105	S	*	5/2020	Bode	.....	D10/30

OTHER PUBLICATIONS

Printout from <https://www.gshock.com/watches/digital/gr8900a-1>, published prior to Sep. 28, 2018.

Printout from <https://www.womandwound.com/review/seiko-x-giugiaro-sced035-ripley-review/> published prior to Sep. 28, 2018.

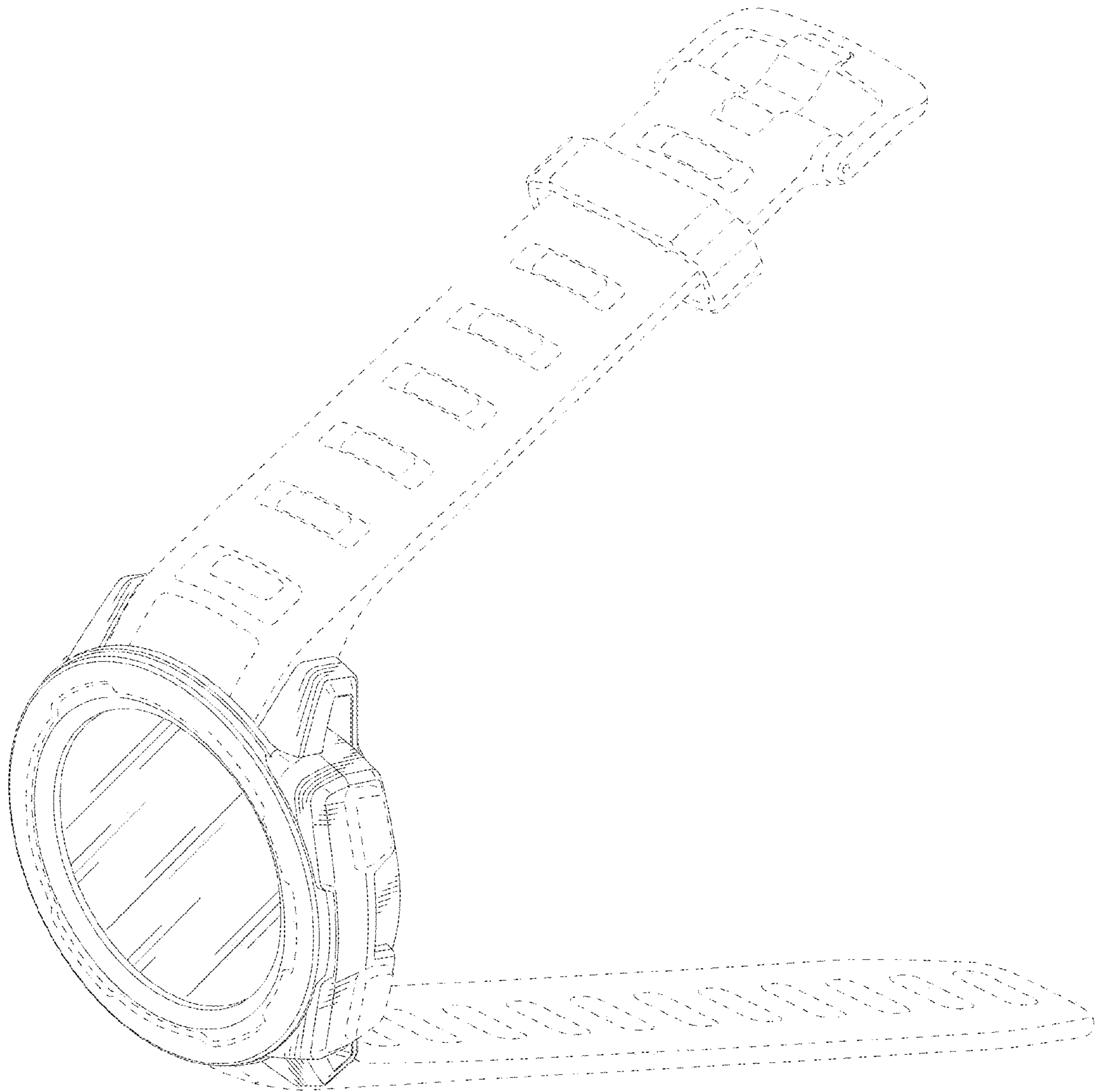
Printout from <https://www.nixon.com/us/en/men-model-reguius> published prior to Sep. 28, 2018.

Printout from <https://www.timex.com/browse/collections/expedition/> published prior to Sep. 28, 2018.

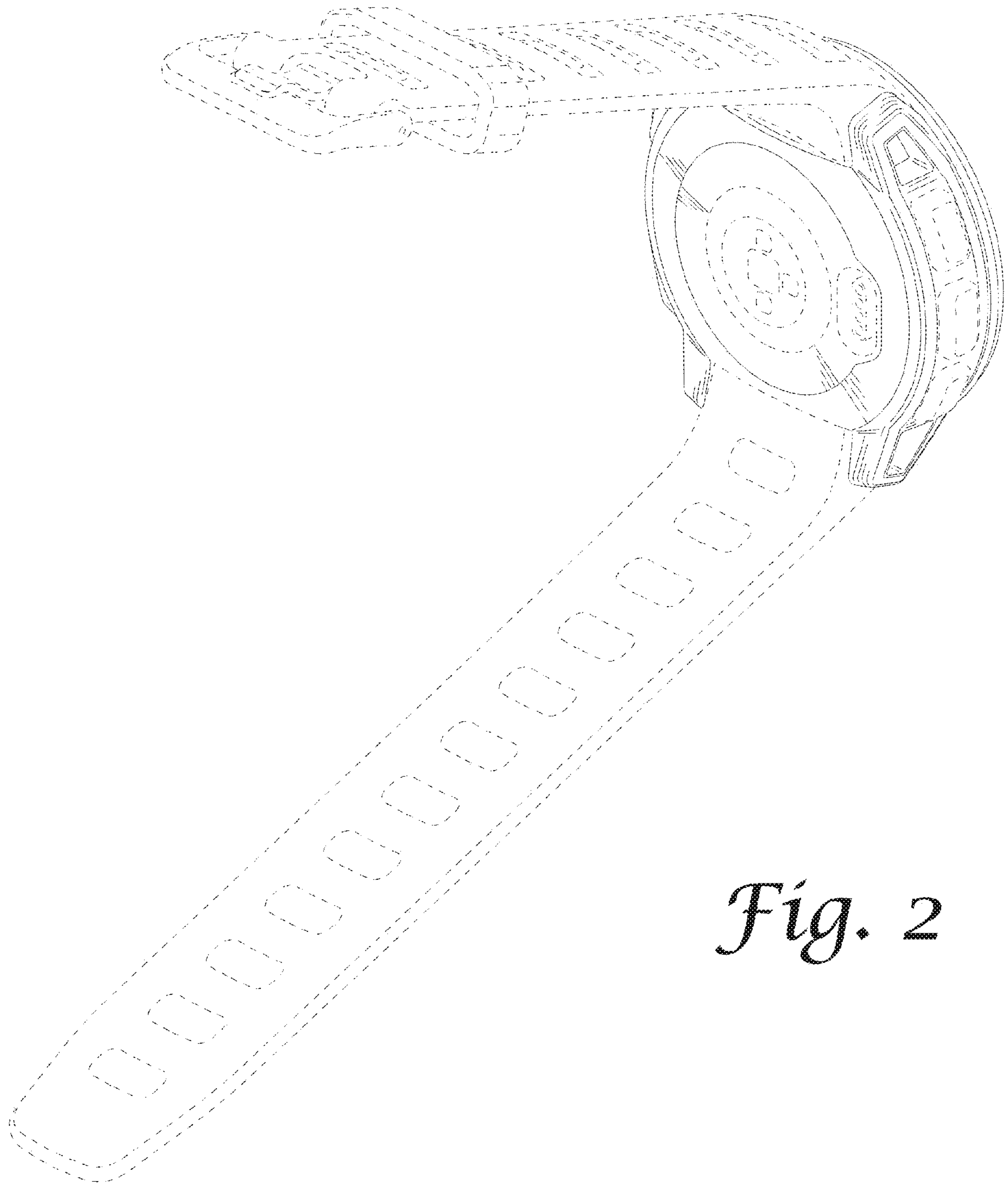
Printout from <https://www.dickssportinggoods.com/p/timex-expedition-grid-shock-watch-16timuxpdtngrdshctch/16timuxpdtngrdshctch> published prior to Sep. 28, 2018.

Printout from <https://www.casio.com/products/watches/pro-trek> published prior to Sep. 28, 2018.

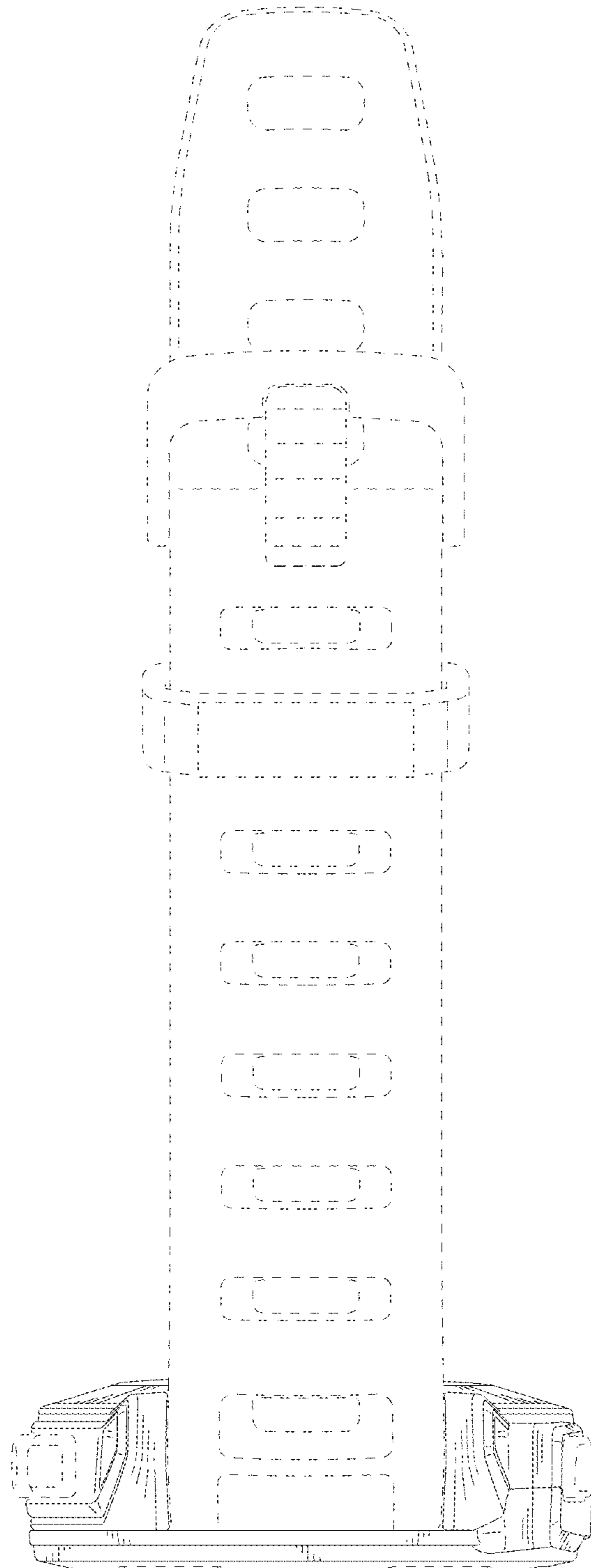
\* cited by examiner



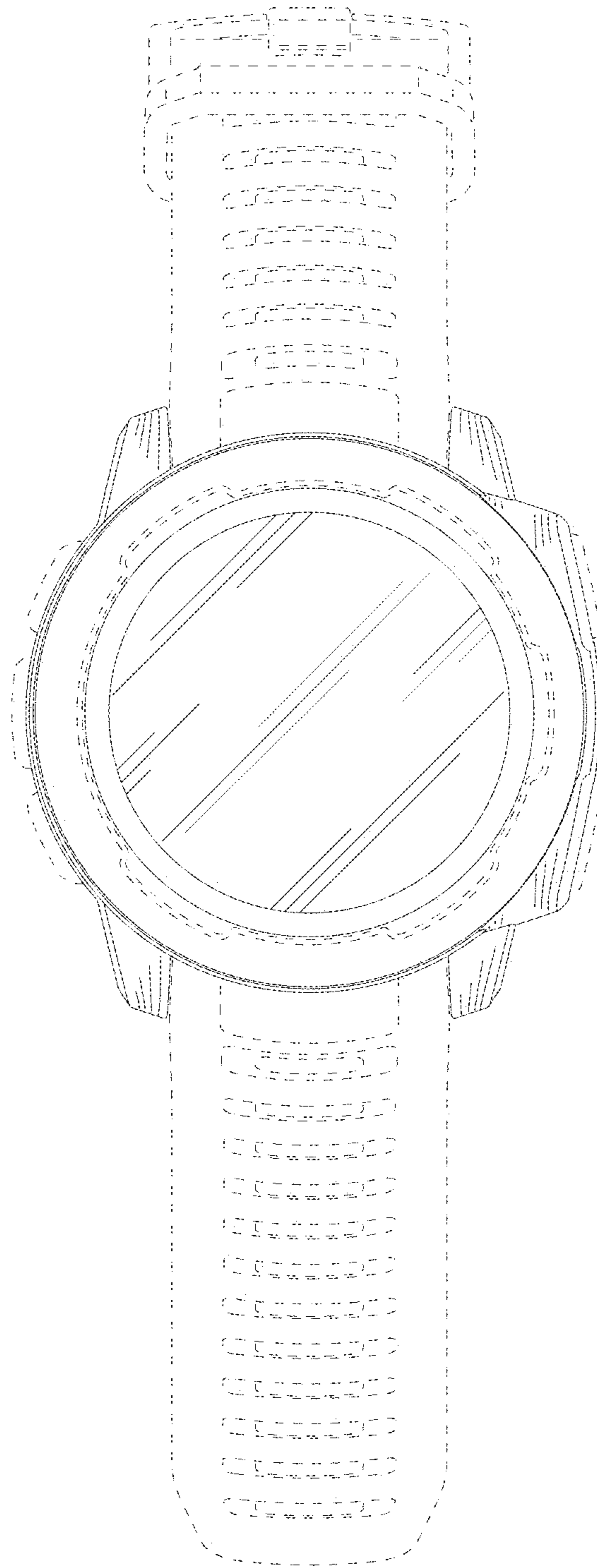
*Fig. 1*



*Fig. 2*

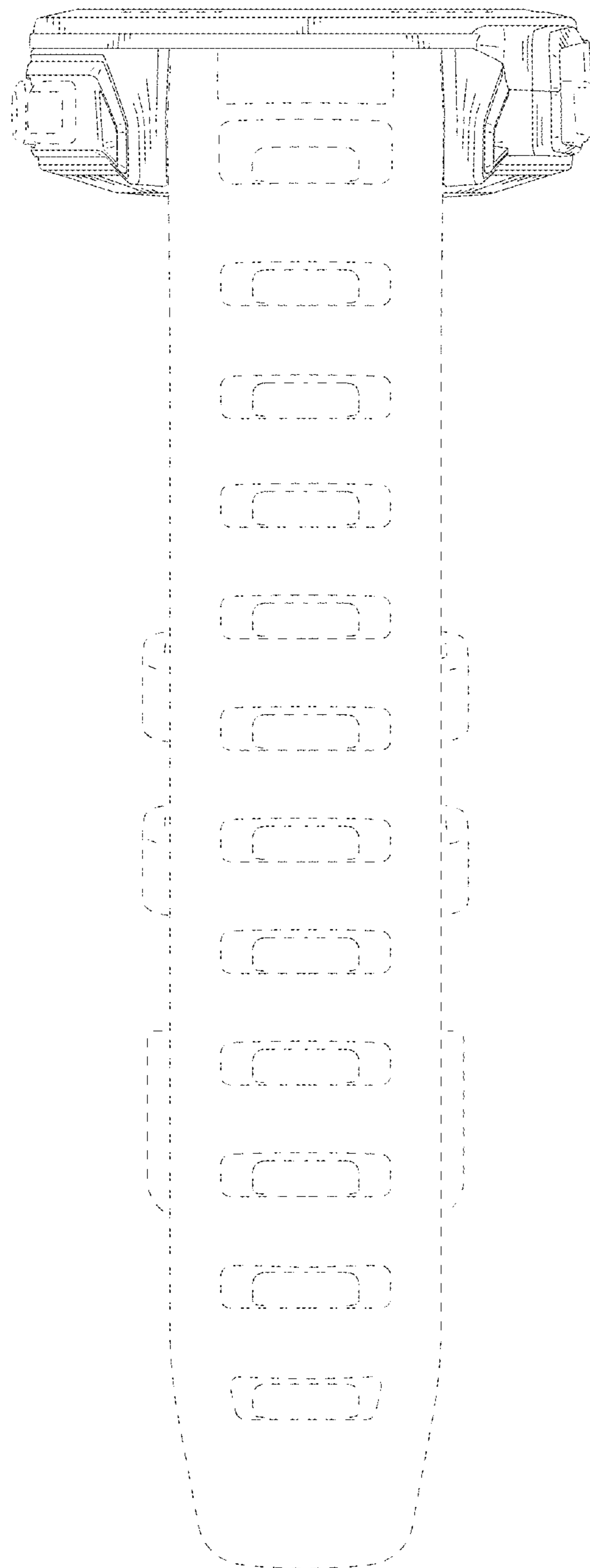


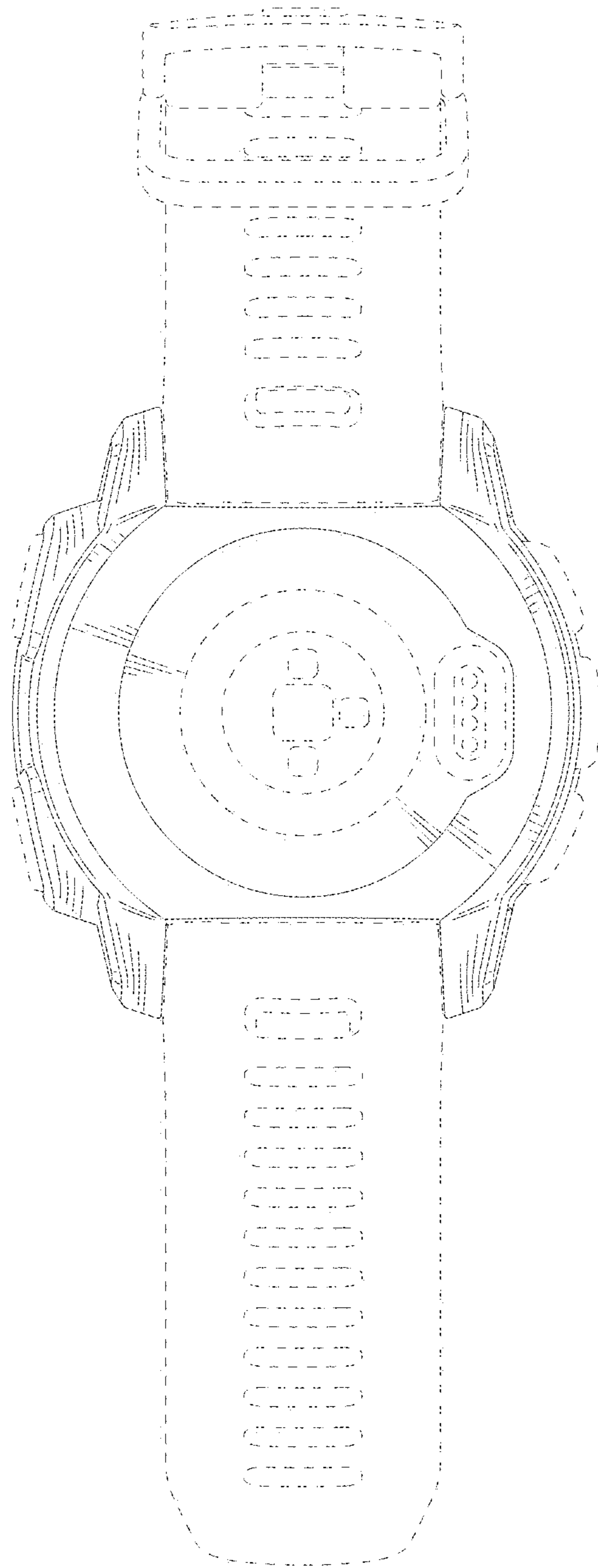
*Fig. 3*



*Fig. 4*

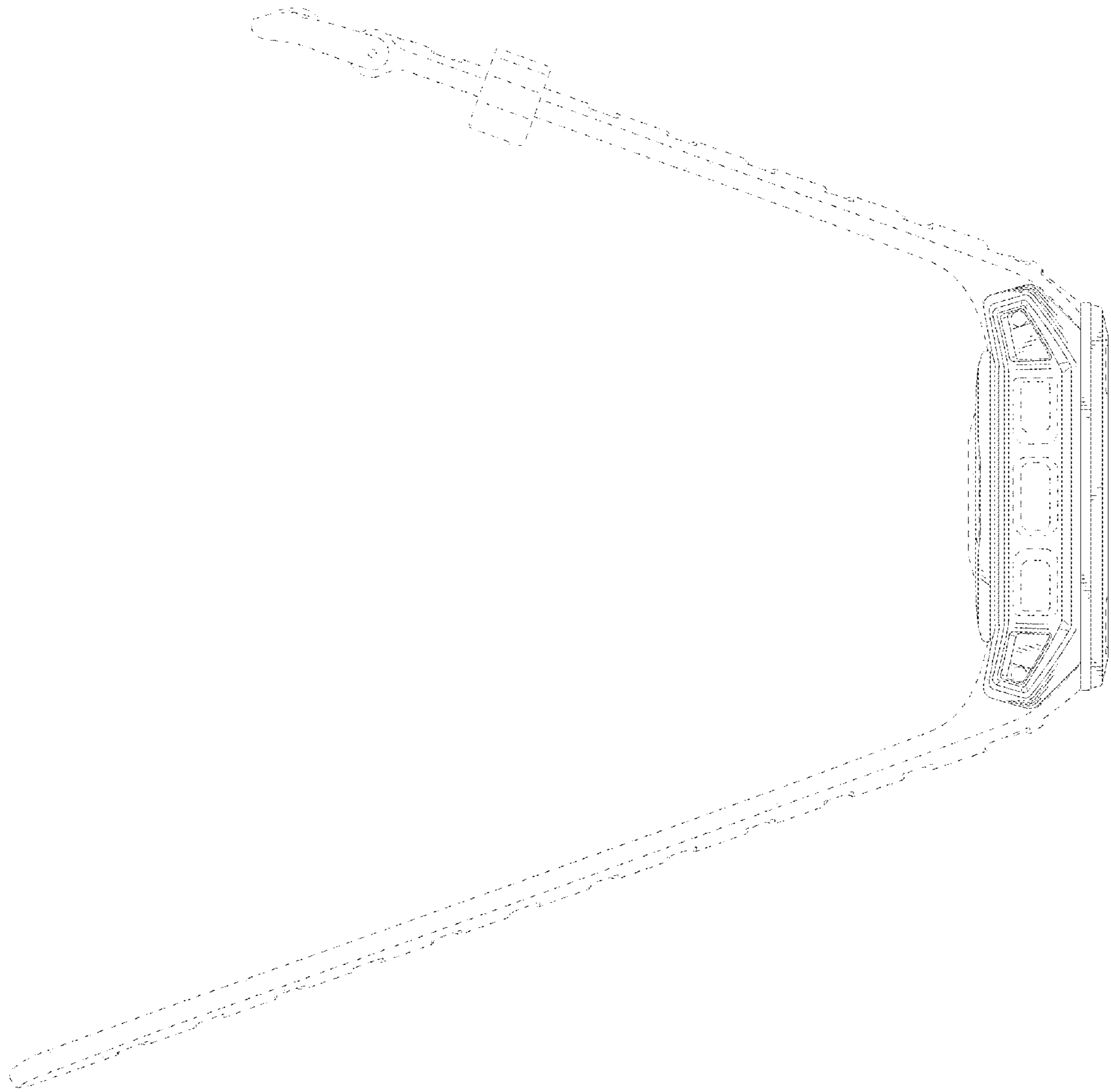
*Fig. 5*



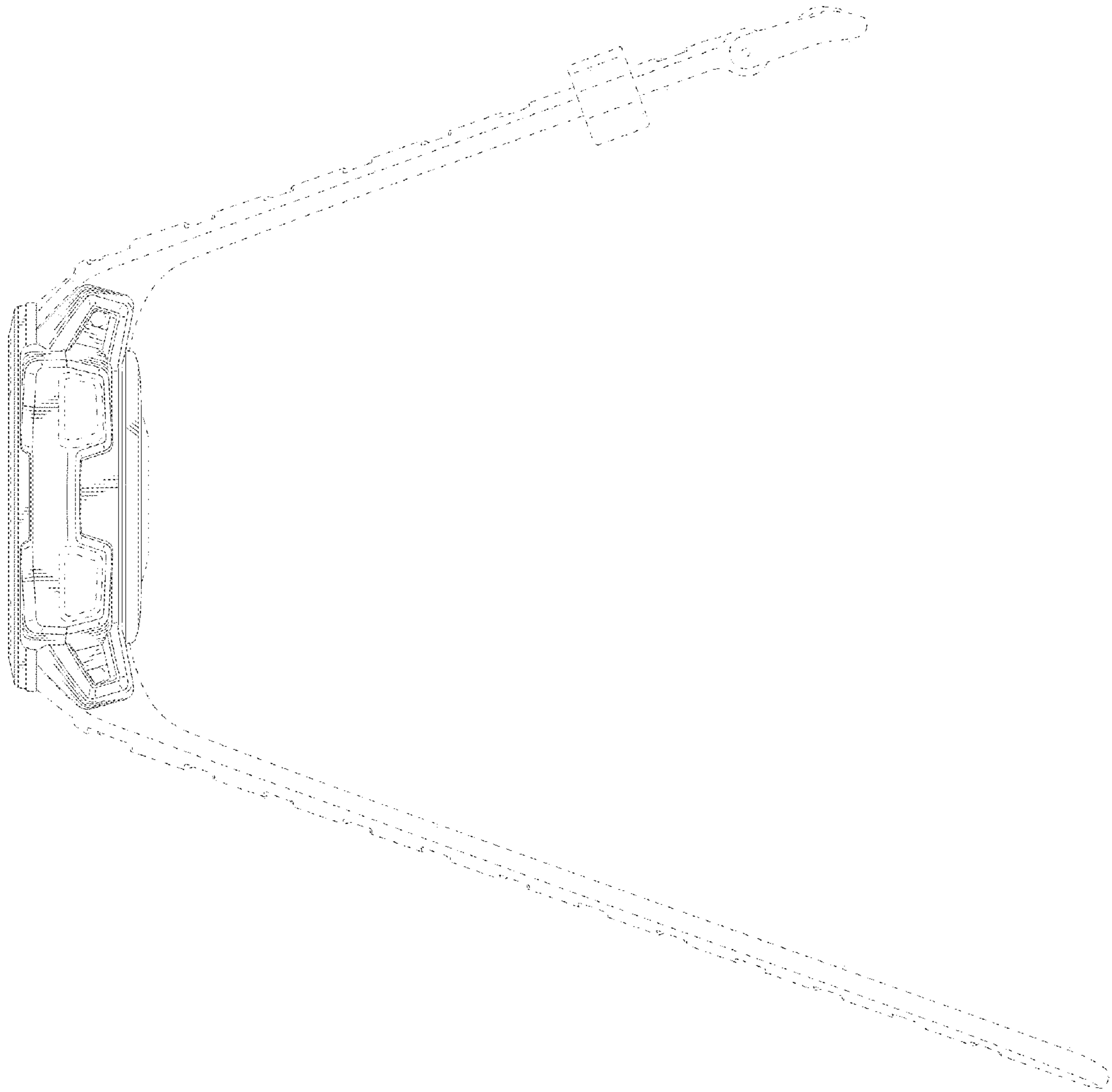


*Fig. 6*





*Fig. 7*



*Fig. 8*