



US00D905575S

(12) **United States Design Patent**  
**Dominguez**

(10) **Patent No.:** **US D905,575 S**  
(45) **Date of Patent:** **\*\* Dec. 22, 2020**

(54) **ALARM CLOCK**

D447,958 S \* 9/2001 Hansen ..... D10/24  
D451,901 S \* 12/2001 Chan ..... D14/170  
D727,178 S \* 4/2015 Abdourahim ..... D10/39

(71) Applicant: **Harry Winston SA**, Plan-les-Ouates  
(CH)

(72) Inventor: **Emmanuelle Dominguez**, Viry (FR)

(73) Assignee: **Harry Winston SA**, Plan-les-Ouates  
(CH)

(\*\*) Term: **15 Years**

(21) Appl. No.: **29/661,576**

(22) Filed: **Aug. 29, 2018**

(30) **Foreign Application Priority Data**

Mar. 2, 2018 (WO) ..... DM/100177

(51) **LOC (12) Cl.** ..... **10-01**

(52) **U.S. Cl.**  
USPC ..... **D10/8**

(58) **Field of Classification Search**

USPC ..... D10/1, 2, 5, 6, 7, 14, 15, 18, 17, 20, 21,  
D10/22, 24, 48; D26/54, 51; D14/137,  
D14/155, 188, 189, 265, 171  
CPC .. G04G 5/00; G04G 5/02; G04G 5/04; G04G  
9/00; G04G 9/0005; G04G 9/0017; G04G  
9/0023; G04G 13/00; G04G 13/02; G04G  
13/021; G04G 13/023; G04G 13/028

See application file for complete search history.

(56) **References Cited**

**U.S. PATENT DOCUMENTS**

D64,941 S \* 6/1924 Strasser ..... D10/39  
D164,594 S \* 9/1951 Otto ..... D10/17  
D252,801 S \* 9/1979 Usuda ..... D10/15  
D409,095 S \* 5/1999 Alesi ..... D10/1

**OTHER PUBLICATIONS**

Amazon, The Noble Collection Dark Knight Collapsible Desk Clock, posted Nov. 7, 2011, [online], [visited Nov. 22, 2019]. Internet, <URL: [https://www.amazon.co.uk/Noble-Collection-Knight-Collapsible-Clock/dp/B004DIQXK6/ref=sr\\_1\\_164?keywords=collapsible+clock&qid=1574442027&sr=8-164](https://www.amazon.co.uk/Noble-Collection-Knight-Collapsible-Clock/dp/B004DIQXK6/ref=sr_1_164?keywords=collapsible+clock&qid=1574442027&sr=8-164)> (Year: 2011).  
MasterHorologer, Travel Time by Harry Winston, posted Apr. 21, 2018, [online], [visited Nov. 22, 2019]. Internet, <URL: <https://masterhorologer.com/2018/04/21/travel-time-by-harry-winston-alarm-table-clock-white-gold-case-gem-set-diamonds-blue-sapphires-aventurine-dial-in-mother-of-pearl/>> (Year: 2018).\*

\* cited by examiner

*Primary Examiner* — Sheryl Lane

*Assistant Examiner* — Samantha N Wood

(74) *Attorney, Agent, or Firm* — Blank Rome LLP

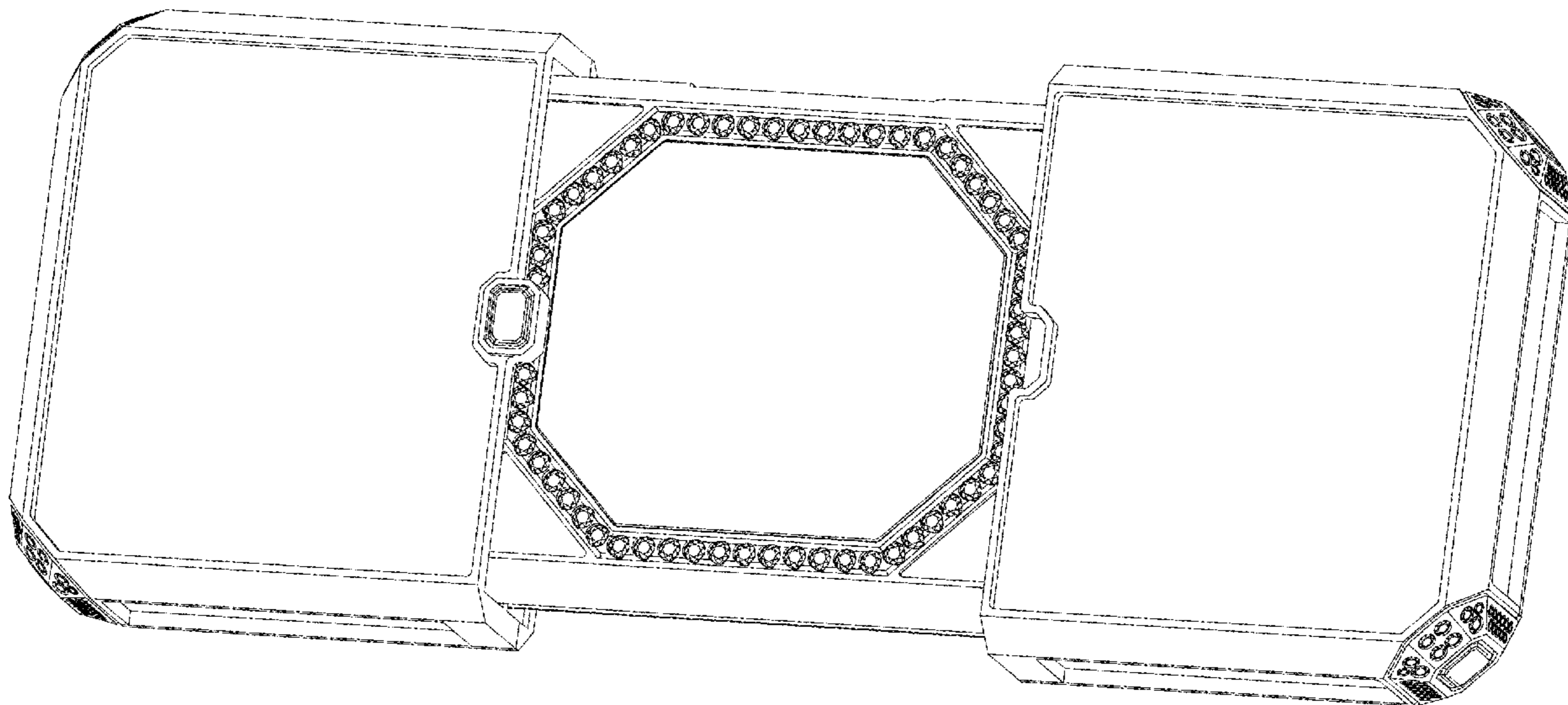
(57) **CLAIM**

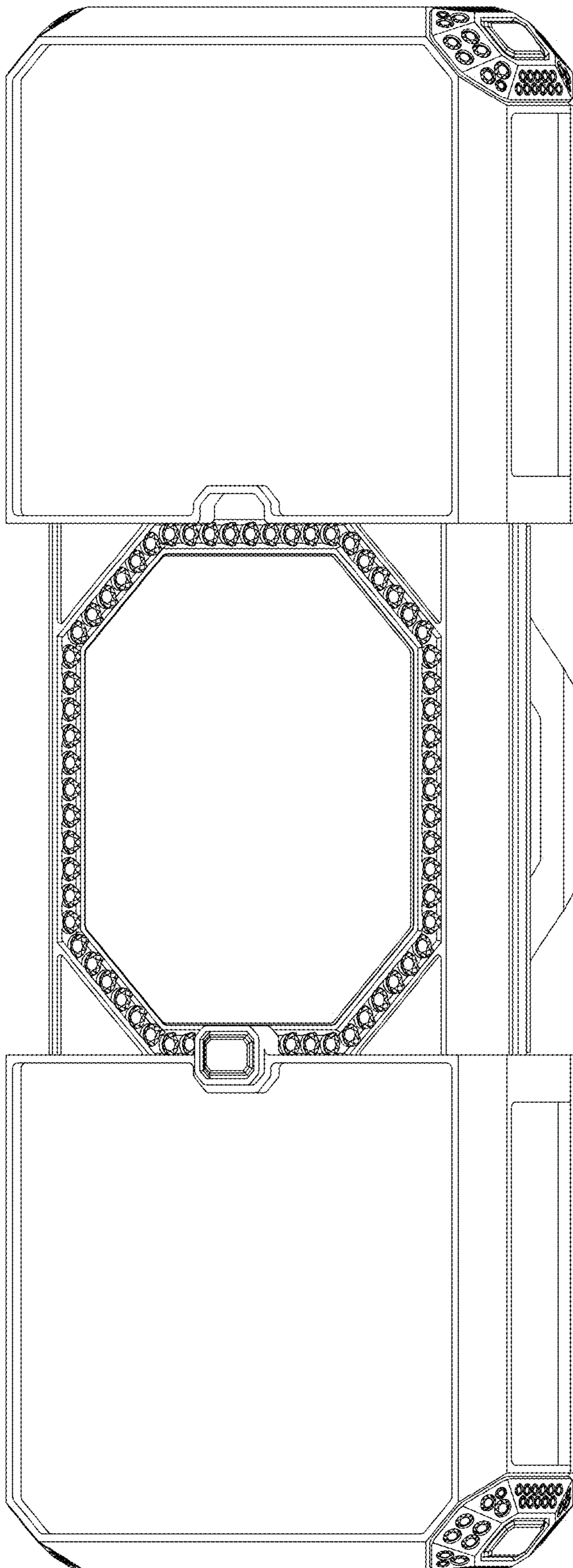
The ornamental design for an alarm clock, as shown and described.

**DESCRIPTION**

FIG. 1 is a front perspective view of an alarm clock of the present design, shown in an open configuration;  
FIG. 2 is a rear perspective view thereof;  
FIG. 3 is a right side view thereof;  
FIG. 4 is a left side view thereof;  
FIG. 5 is a top perspective view thereof;  
FIG. 6 is a bottom perspective view thereof; and  
FIG. 7 is a front right perspective view thereof;  
FIG. 8 is a rear right perspective view thereof; and,  
FIG. 9 is a front view of the alarm clock of the present design shown in a closed configuration.

**1 Claim, 9 Drawing Sheets**





**FIG. 1**

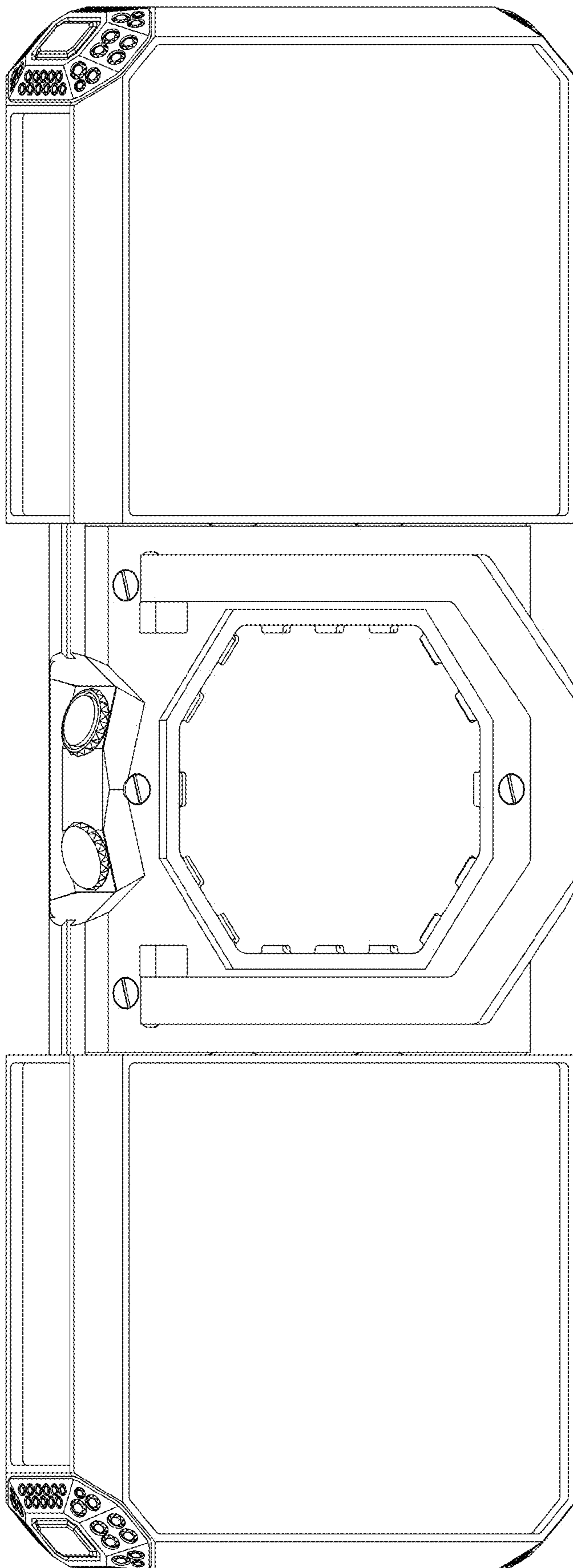


FIG. 2



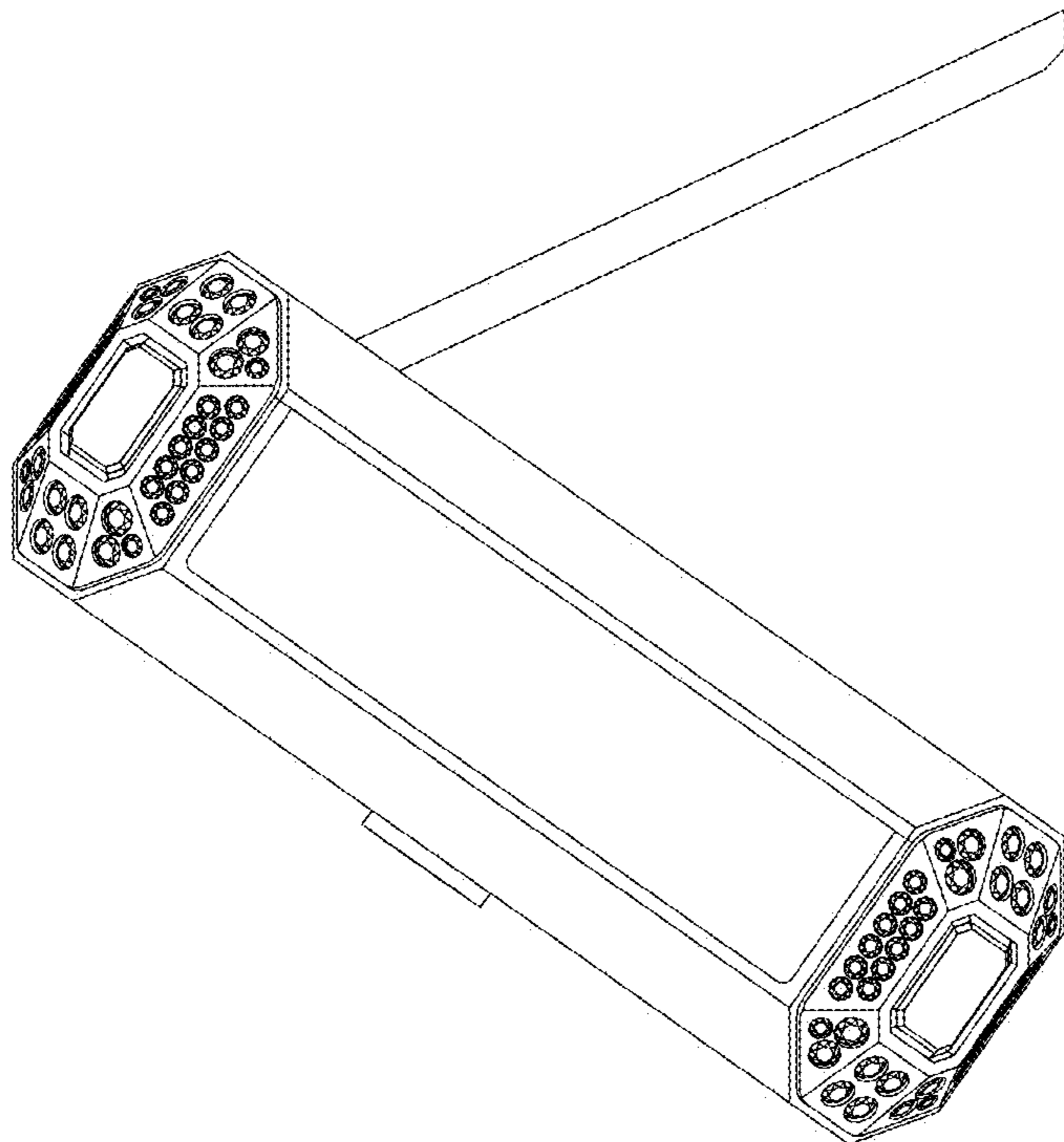
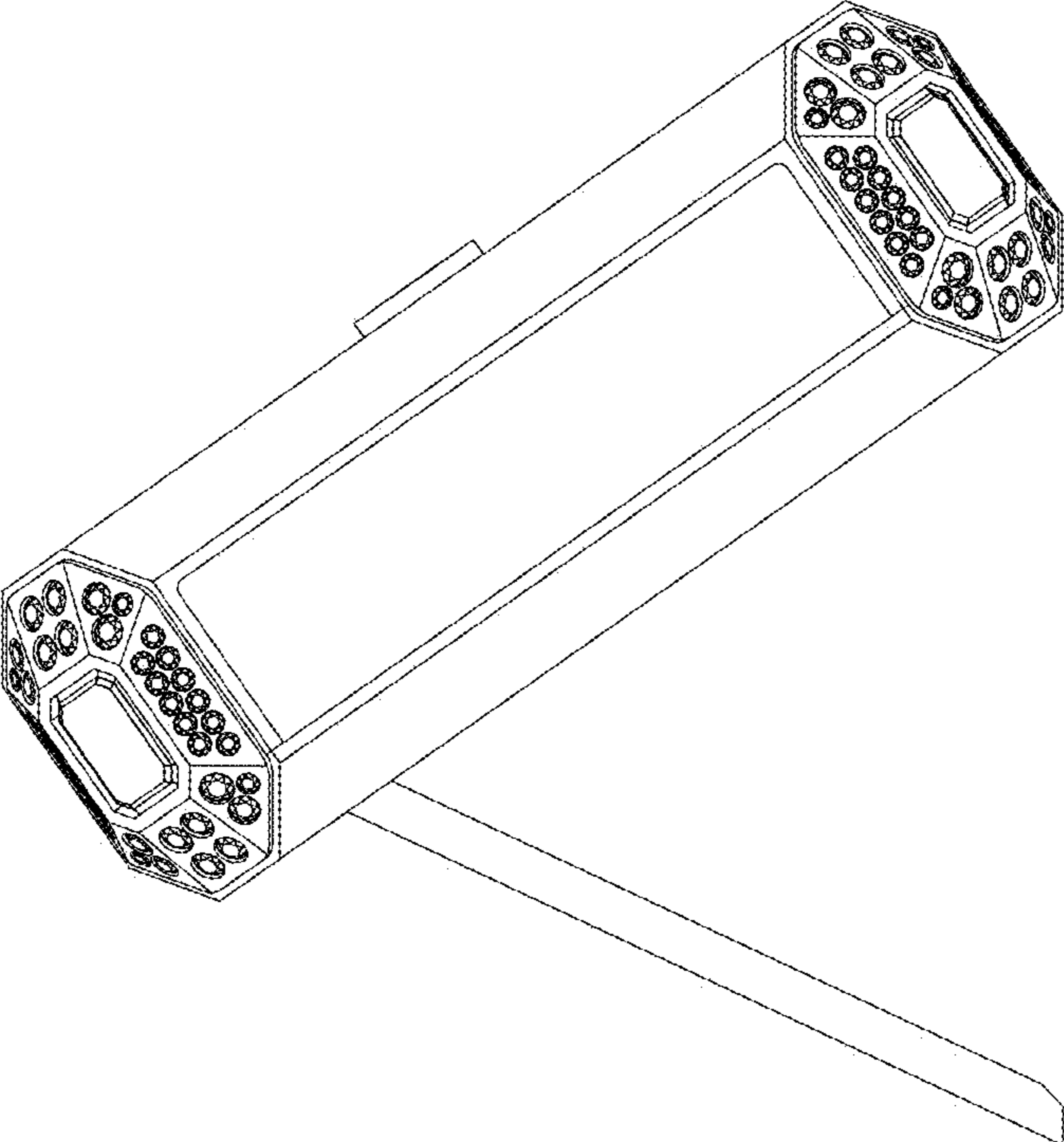
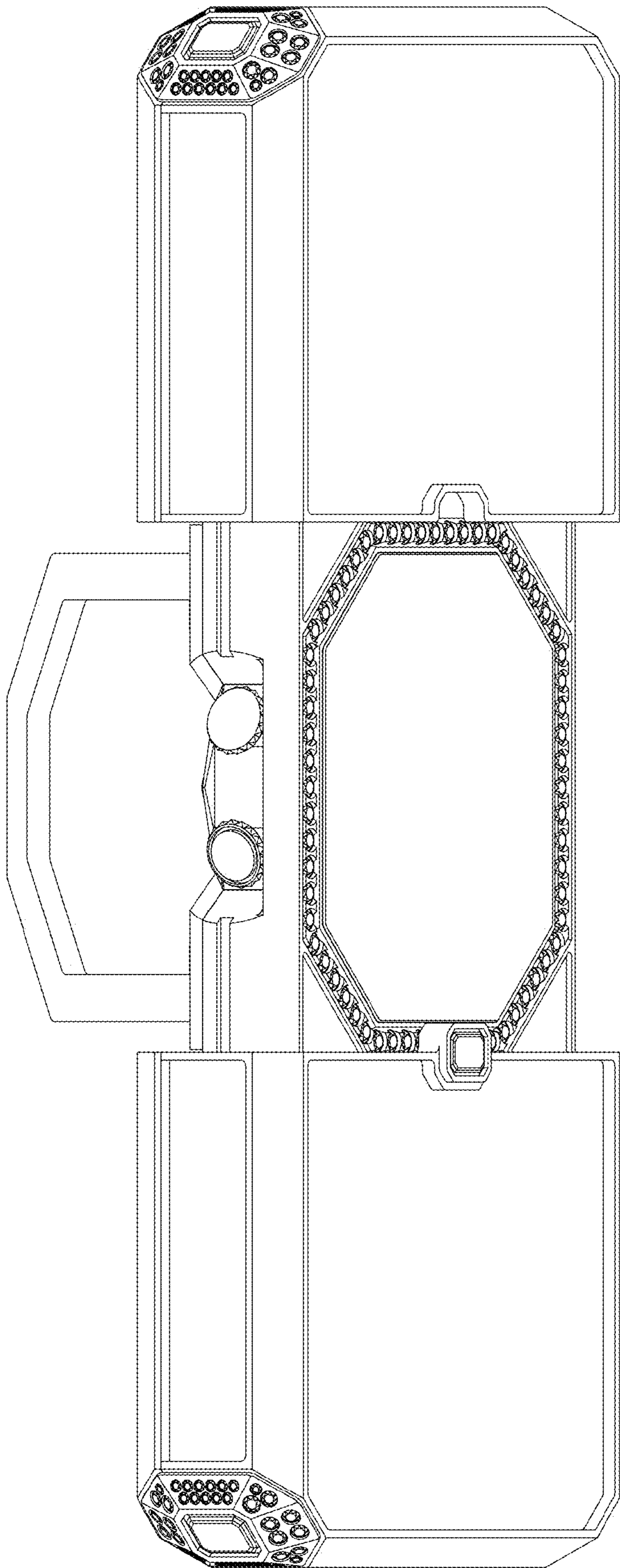


FIG. 3



**FIG. 4**



**FIG. 5**

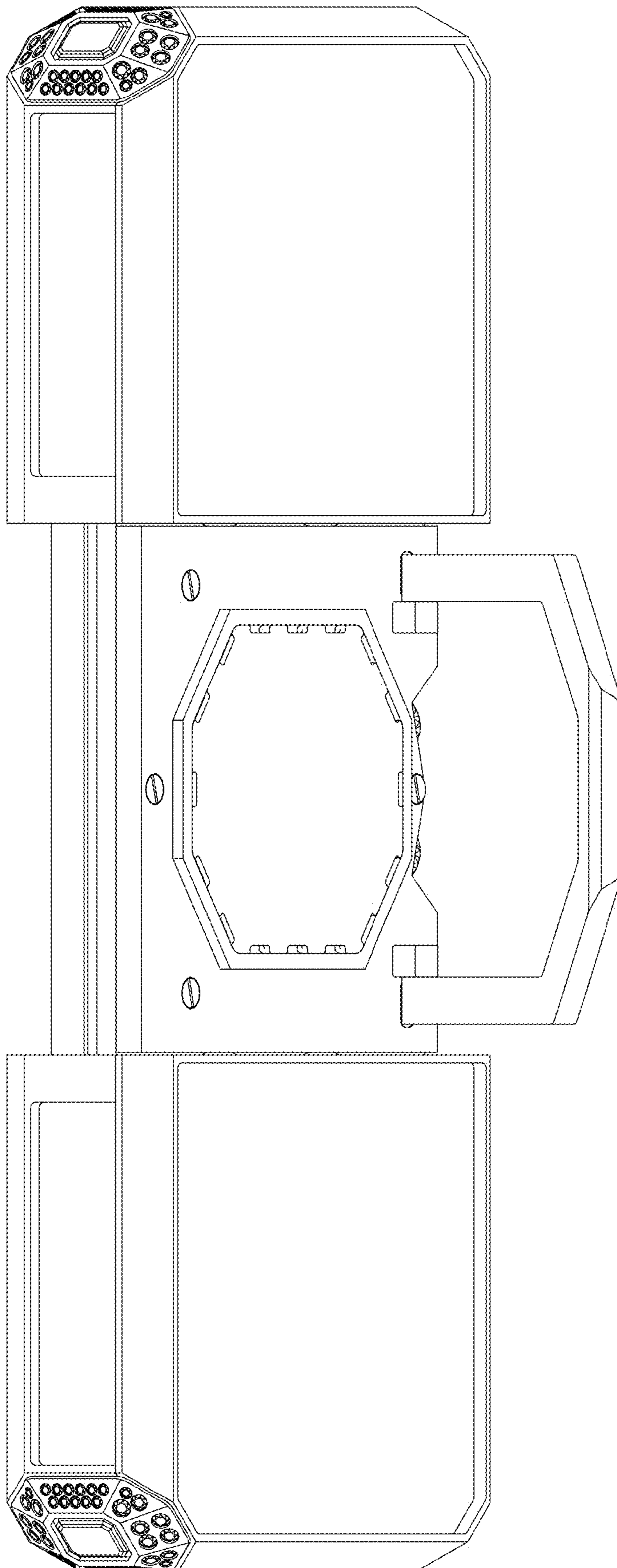


FIG. 6



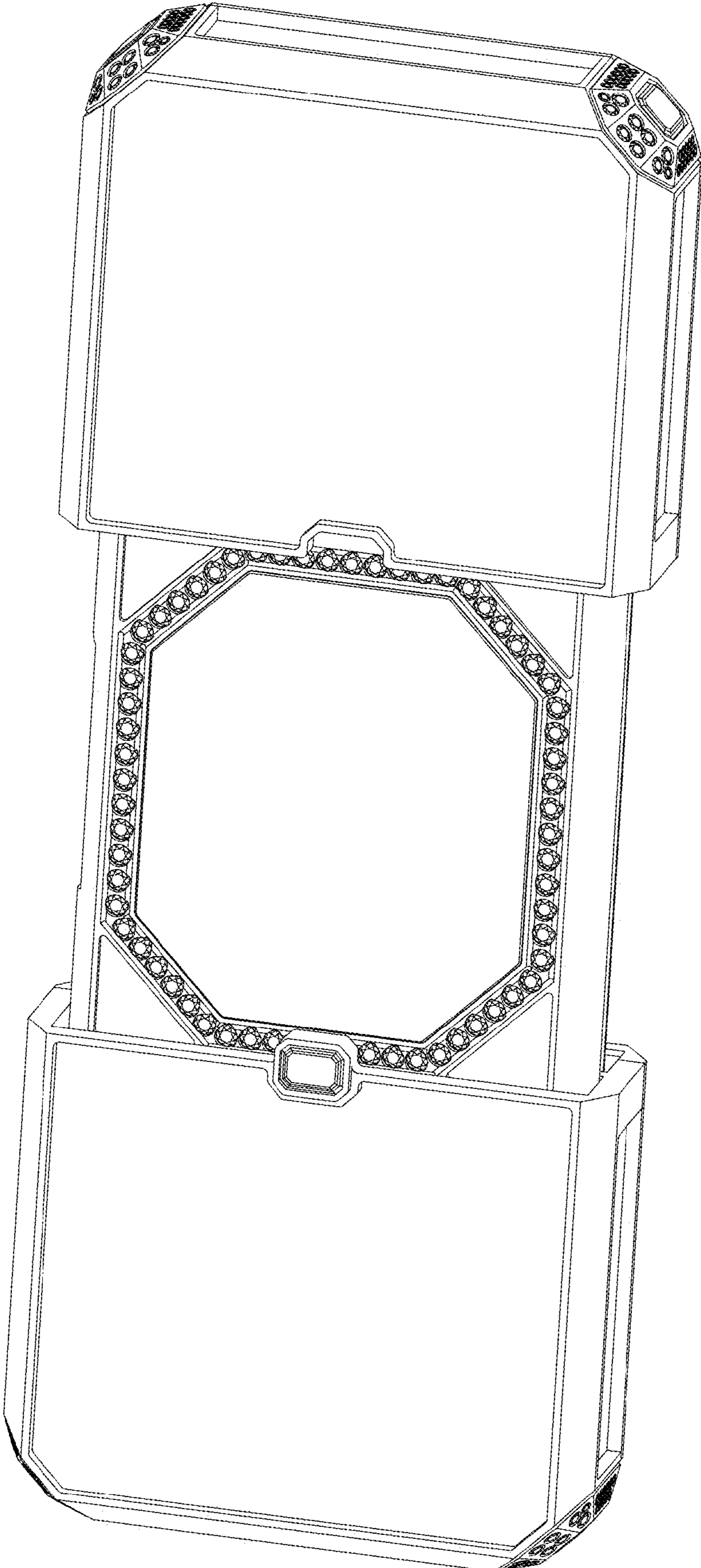
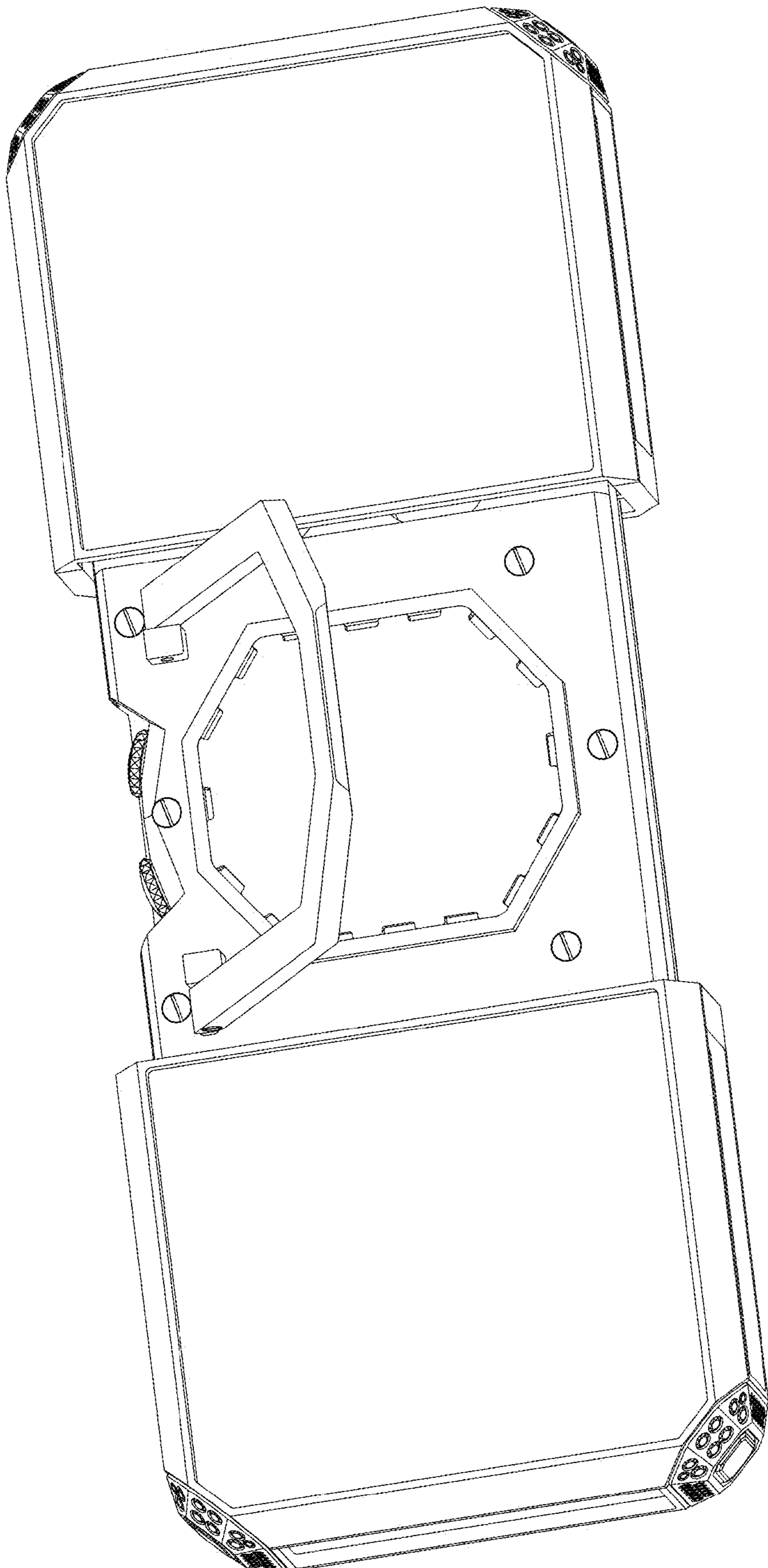


FIG. 7





**FIG. 8**

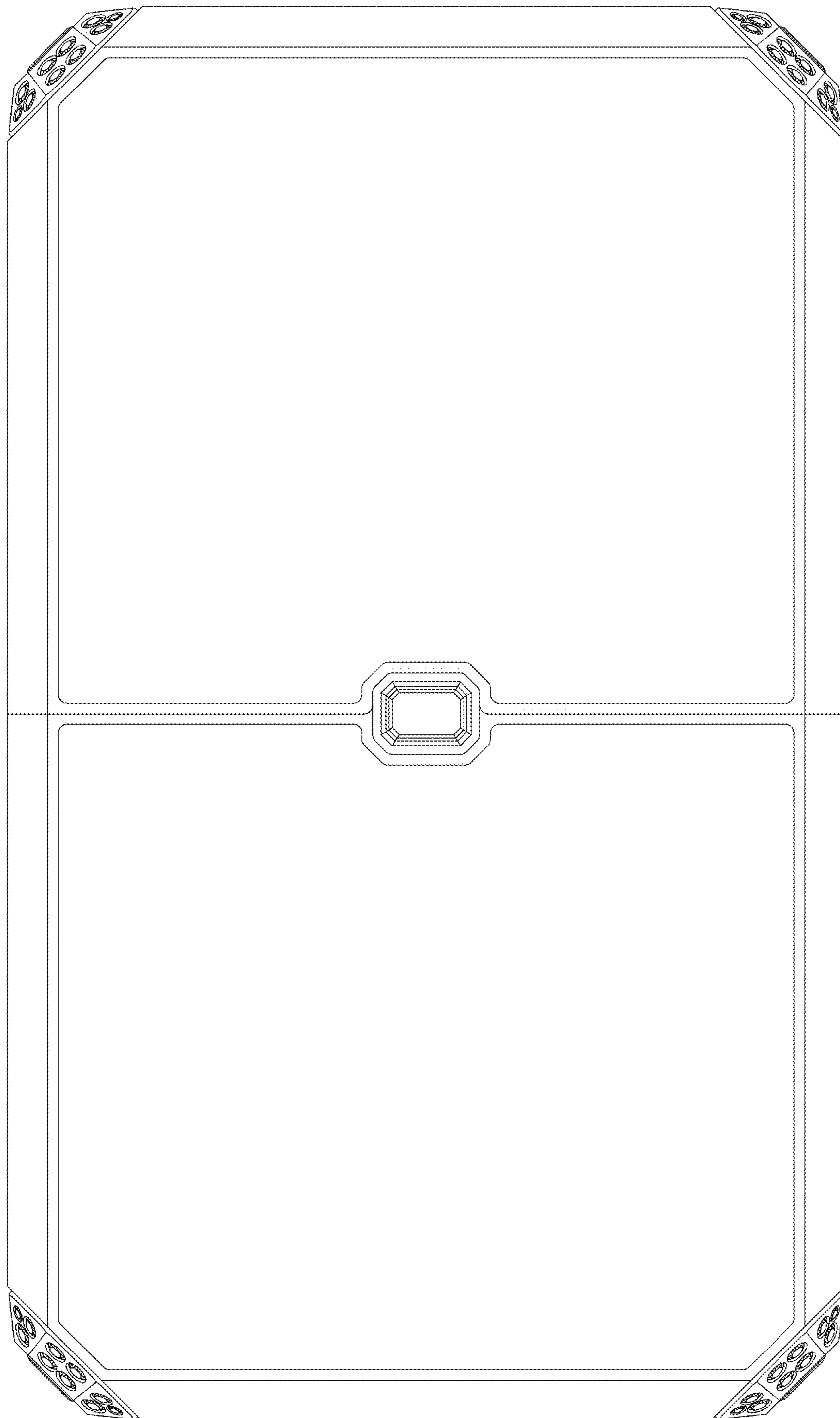


FIG. 9