



US00D905574S

(12) **United States Design Patent**
Flanagan

(10) **Patent No.:** **US D905,574 S**

(45) **Date of Patent:** **** Dec. 22, 2020**

(54) **COMBINED LID AND CONTAINER**

(71) Applicant: **BRADSHAW INTERNATIONAL, INC.**, Rancho Cucamonga, CA (US)

(72) Inventor: **Leila Flanagan**, Redlands, CA (US)

(73) Assignee: **BRADSHAW INTERNATIONAL, INC.**, Rancho Cucamonga, CA (US)

(**) Term: **15 Years**

(21) Appl. No.: **29/679,617**

(22) Filed: **Feb. 7, 2019**

(51) **LOC (12) Cl.** **09-03**

(52) **U.S. Cl.**

USPC **D9/737**; D9/423; D7/703

(58) **Field of Classification Search**

USPC D9/737, 756, 759, 761, 503, 504, 414, D9/424-426, 430, 432; D7/538, 541, D7/542, 553.1-553.3, 553.7, 555, 557, D7/701, 703, 708, 602, 629; D3/203.3, D3/273, 283, 294, 295, 310, 313; D24/226, 227, 229; 229/120.02, 120.07, 229/406, 407, 904, 906; 220/500, 507, 220/508, 553, 555, 556; 206/521.1, 206/521.15, 561, 443

CPC B65D 1/24; B65D 43/162; B65D 77/046; B65D 81/3294; B65D 43/169; B65D 45/00; B65D 1/36; B65D 2543/00194; B65D 2543/00296; B65D 2543/00555; B65D 2581/3425; B65D 25/04; B65D 43/0218; B65D 21/0223; A47G 19/02; A47G 19/065; A47G 23/0608

See application file for complete search history.

(56) **References Cited**

U.S. PATENT DOCUMENTS

D194,054 S 11/1962 Grossman
3,107,027 A 10/1963 Hong

4,081,646 A 3/1978 Goltsos
4,574,174 A 3/1986 McGonigle
D284,727 S * 7/1986 Gerber D7/357
D305,409 S 1/1990 Michaud et al.
D339,030 S 9/1993 Bitel, Sr.
5,419,451 A 5/1995 Bitel, Jr.
D367,172 S * 2/1996 Brightbill D3/310
D372,170 S 7/1996 Ahern, Jr.
D395,985 S 7/1998 Krupa et al.
D415,422 S 10/1999 McCann
D442,484 S 5/2001 Maxwell et al.
D451,769 S 12/2001 Stanos et al.
6,467,647 B1 10/2002 Tucker et al.
6,471,084 B2 10/2002 Erb
D489,579 S 5/2004 Wright
D494,857 S 8/2004 Chen et al.
D504,325 S * 4/2005 Vovan D9/425

(Continued)

Primary Examiner — W. A. Teddy Falloway

(74) *Attorney, Agent, or Firm* — Birch, Stewart, Kolasch & Birch, LLP

(57) **CLAIM**

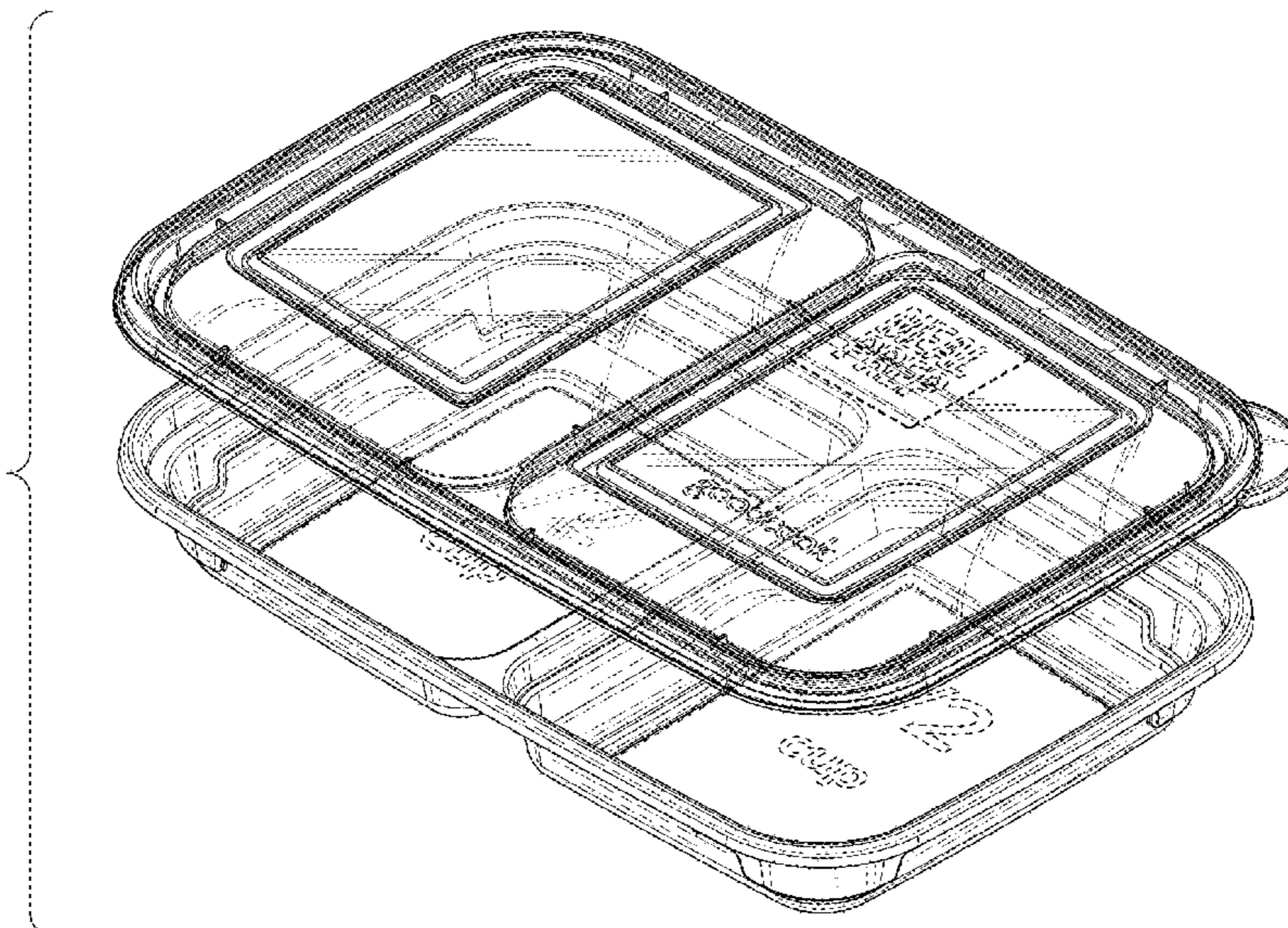
The ornamental design for a combined lid and container, as shown and described.

DESCRIPTION

FIG. 1 is a front, top, right perspective view of the combined lid and container showing my new design;
FIG. 2 is a front view thereof;
FIG. 3 is a rear view thereof;
FIG. 4 is a left side view thereof;
FIG. 5 is a right side view thereof;
FIG. 6 is a top plan view thereof;
FIG. 7 is a bottom plan view thereof; and,
FIG. 8 is an exploded view showing the lid disconnected from the container.

The broken lines in the Figures are for the purpose of illustrating portions of the combined lid and container and form no part of the claimed design.

1 Claim, 8 Drawing Sheets



(56)

References Cited

U.S. PATENT DOCUMENTS

6,910,599 B2 6/2005 Tucker et al.
 D515,880 S 2/2006 Lerner
 7,097,066 B2 8/2006 Tucker et al.
 D539,666 S 4/2007 Chou
 7,261,219 B2 8/2007 Tucker et al.
 D552,487 S 10/2007 Chou
 D553,010 S * 10/2007 Cutts D9/761
 D586,623 S 2/2009 Dunn
 D596,499 S 7/2009 Willis et al.
 D606,812 S 12/2009 Wu
 D608,153 S 1/2010 Furlong
 7,726,483 B2 6/2010 Ramanujam et al.
 D643,251 S 8/2011 Stamper et al.
 D645,707 S 9/2011 Stamper et al.
 D645,708 S 9/2011 Stamper et al.
 D649,838 S 12/2011 Stamper et al.
 D649,839 S 12/2011 Stamper et al.
 D653,913 S 2/2012 Stamper et al.
 D659,479 S 5/2012 Peck
 D660,087 S 5/2012 Ewen et al.
 D665,674 S 8/2012 Wu
 D665,675 S 8/2012 Wu
 D665,676 S 8/2012 Wu
 D666,058 S 8/2012 Liang et al.
 8,317,044 B2 11/2012 Wu et al.

D672,204 S 12/2012 Stamper et al.
 D672,612 S 12/2012 Stamper et al.
 D672,613 S 12/2012 Stamper et al.
 D672,614 S 12/2012 Stamper et al.
 D672,615 S 12/2012 Stamper et al.
 D672,616 S 12/2012 Stamper et al.
 D673,009 S 12/2012 Stamper et al.
 D688,921 S * 9/2013 Miros D7/629
 D691,038 S 10/2013 Tyberghein
 D691,901 S 10/2013 Epstein
 D695,575 S 12/2013 Katz
 D696,910 S 1/2014 Franczyk et al.
 D707,120 S 6/2014 Tyberghein
 D711,220 S 8/2014 Tyberghein
 D744,294 S 12/2015 Linder
 D752,430 S * 3/2016 Stevenson D9/425
 D755,579 S 5/2016 Wu
 D763,706 S 8/2016 Shum et al.
 D769,113 S 10/2016 Chen
 D823,106 S * 7/2018 Lam D9/426
 10,308,394 B1 * 6/2019 Robl B65D 21/0223
 10,494,143 B2 12/2019 Kuo et al.
 2006/0029695 A1 2/2006 Kaczor
 2006/0201950 A1 9/2006 Liu
 2011/0020772 A1 1/2011 Carter et al.
 2017/0113848 A1 4/2017 Zhen
 2018/0086500 A1 3/2018 Kuo

* cited by examiner

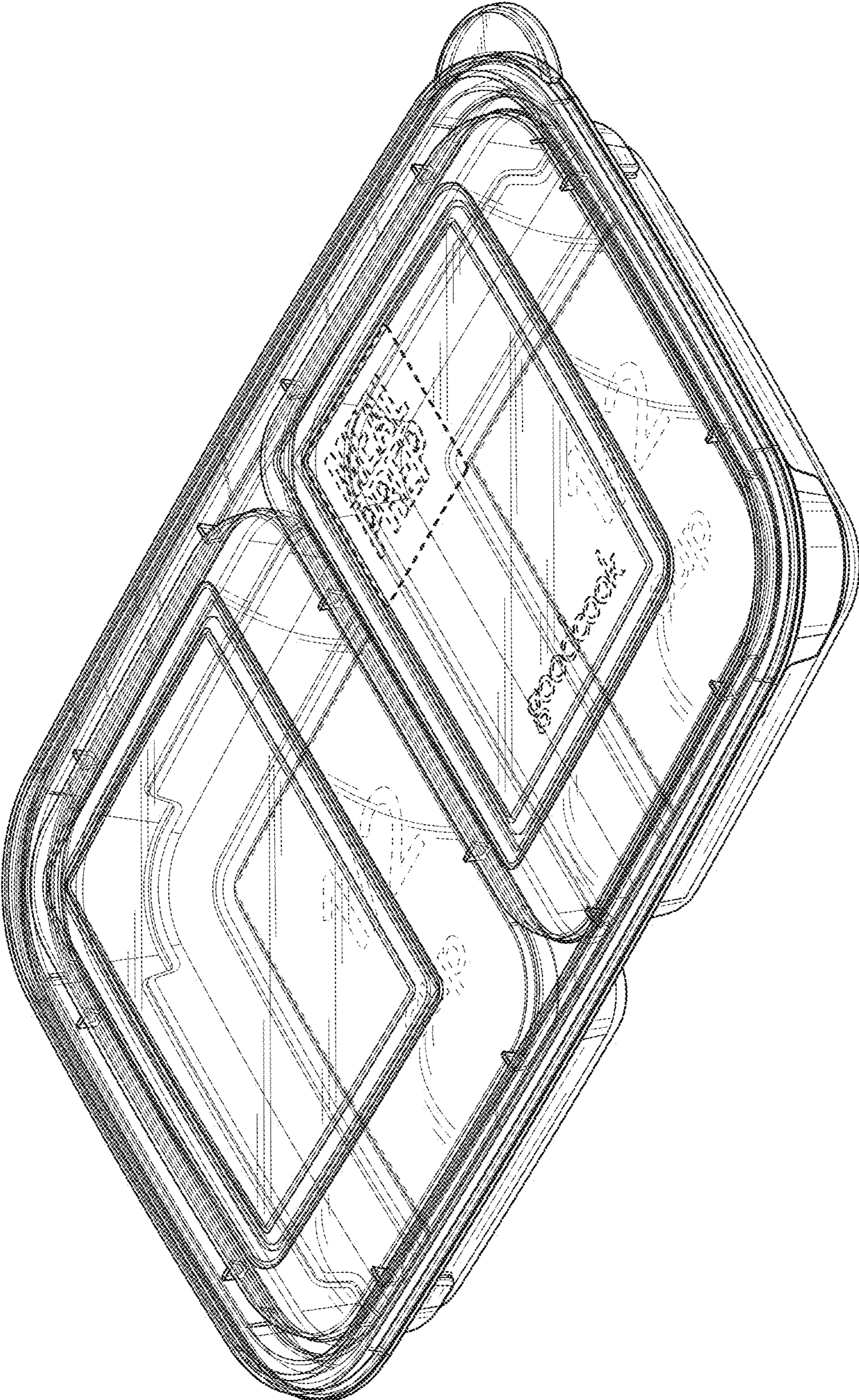


FIG. 1

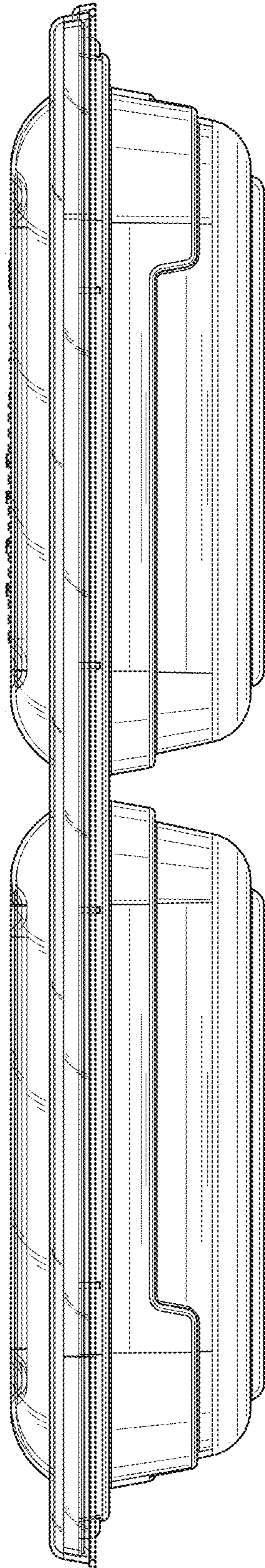


FIG. 2

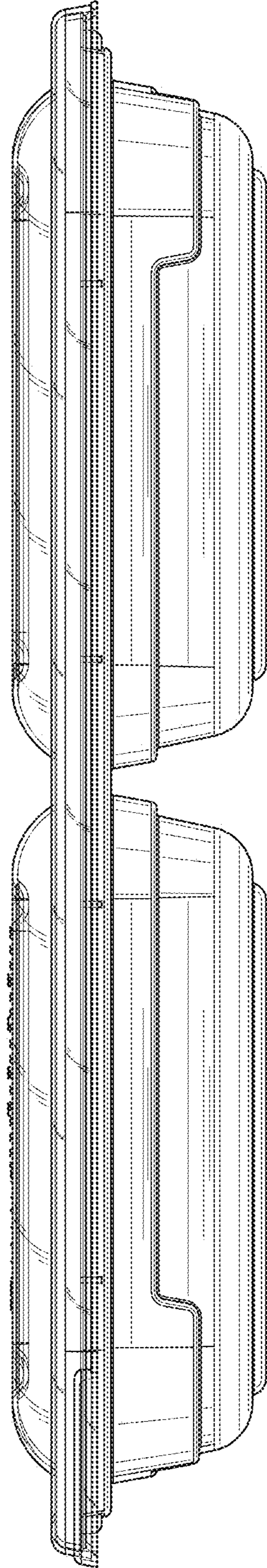


FIG. 3

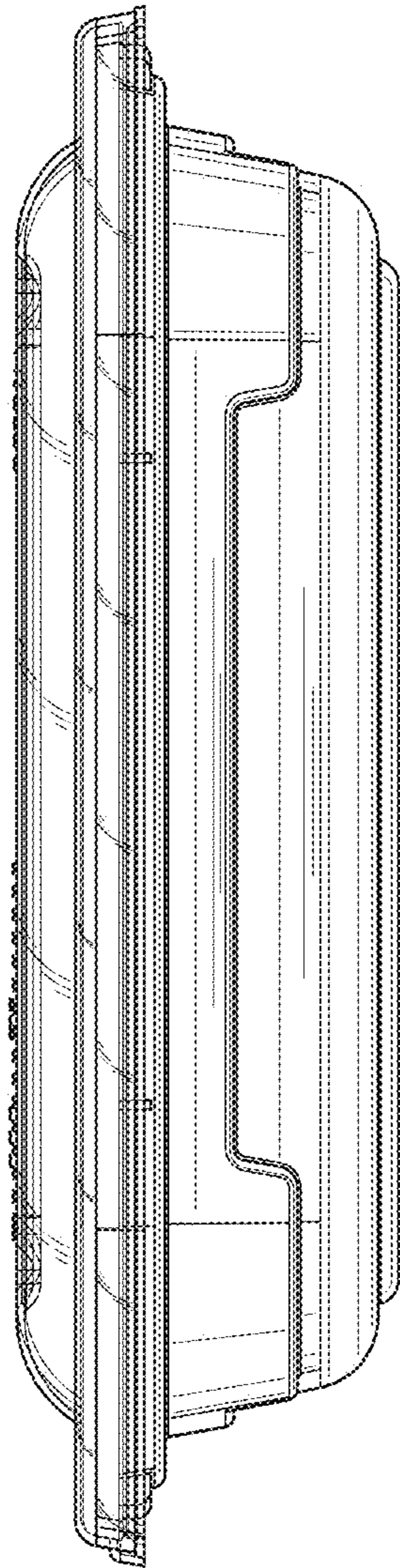


FIG. 4

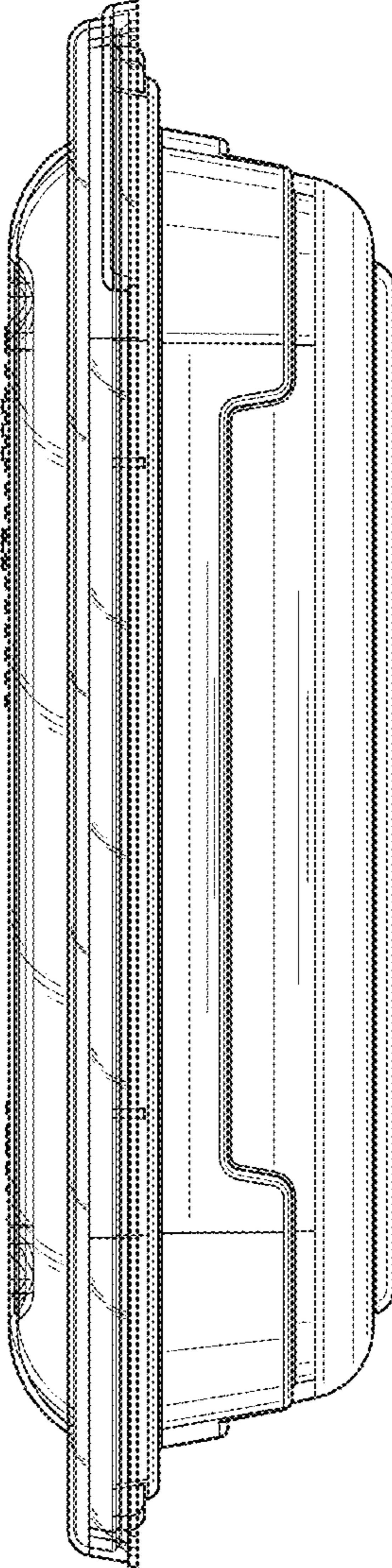


FIG. 5

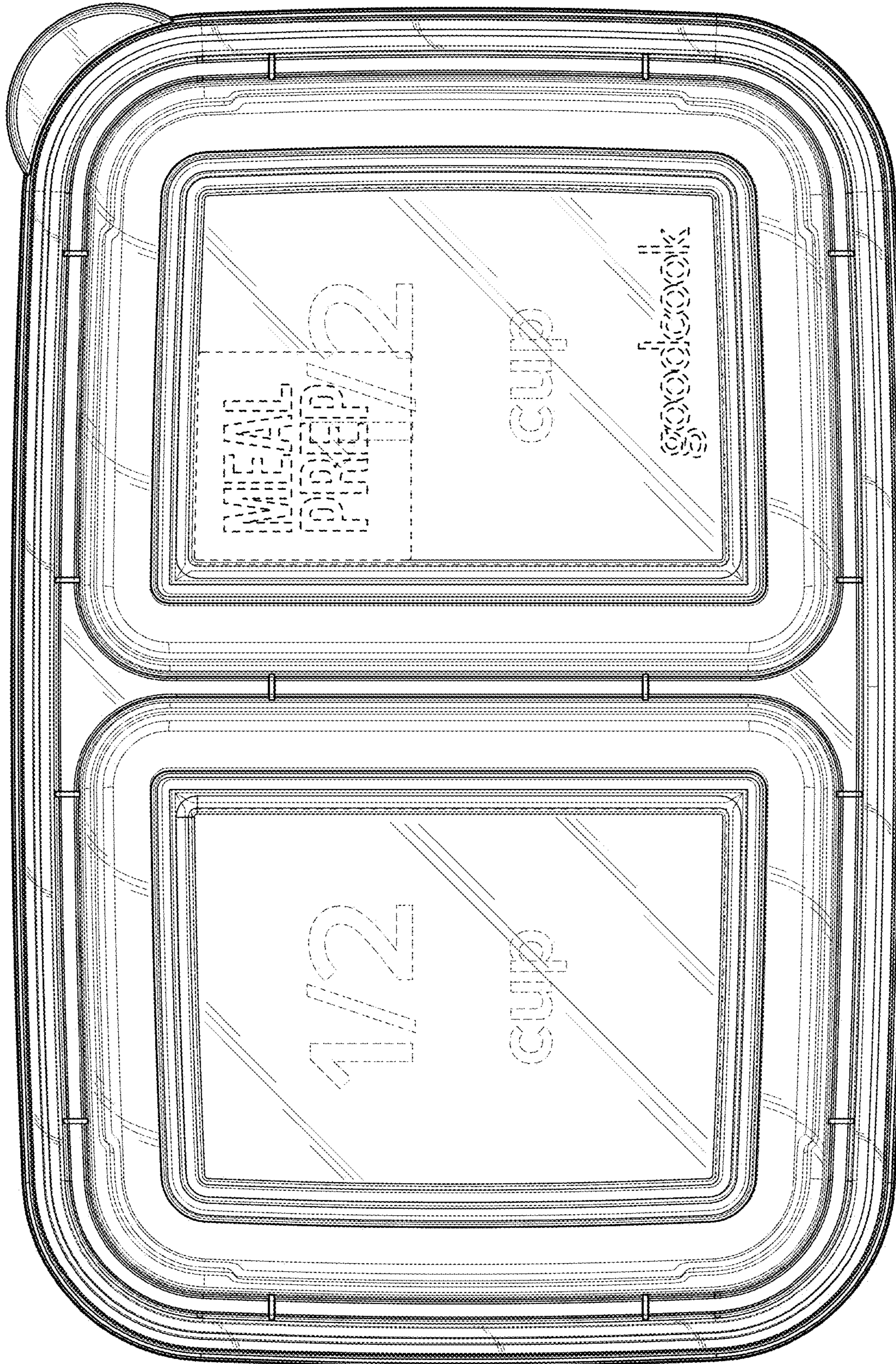


FIG. 6

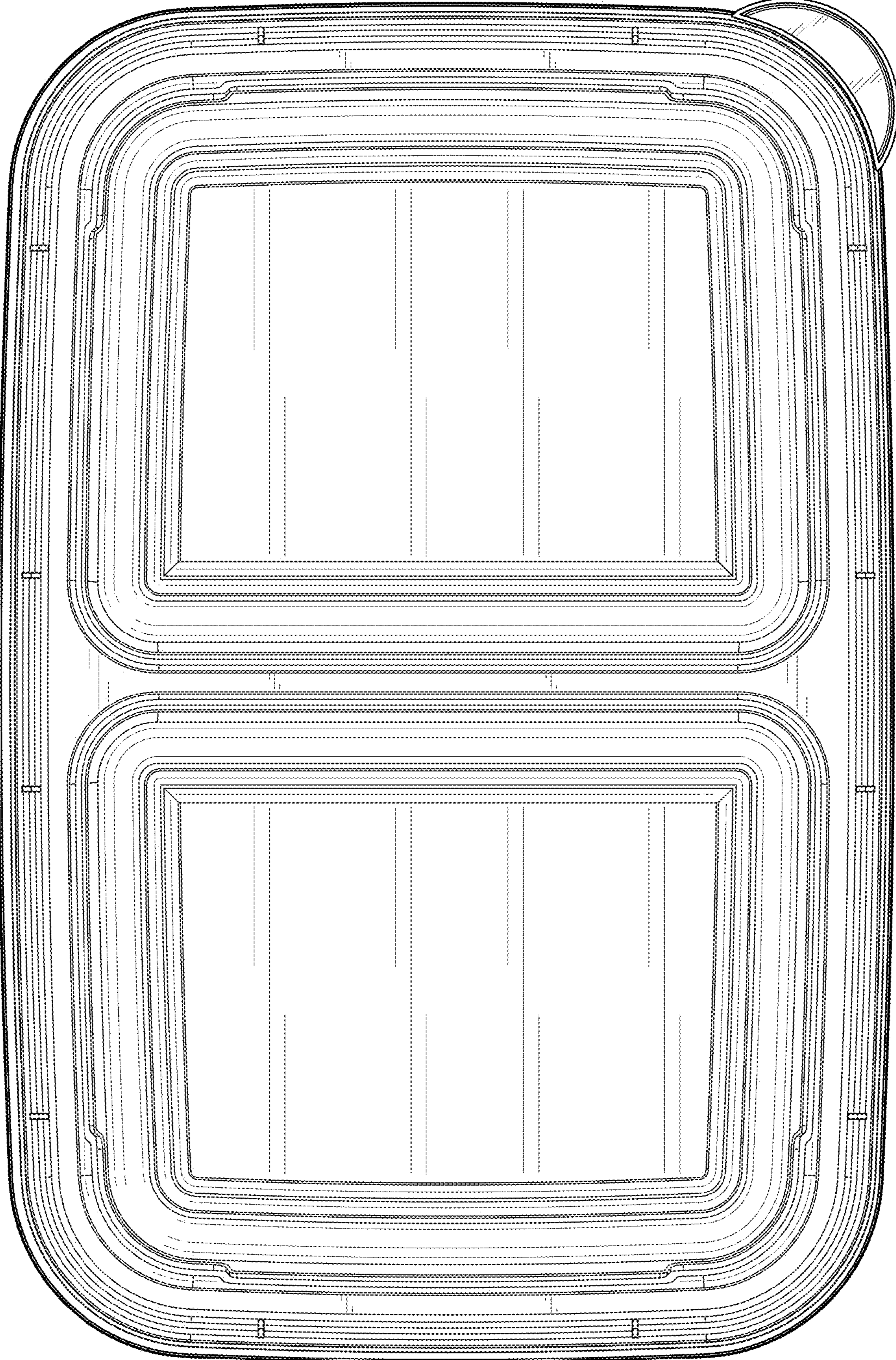


FIG. 7

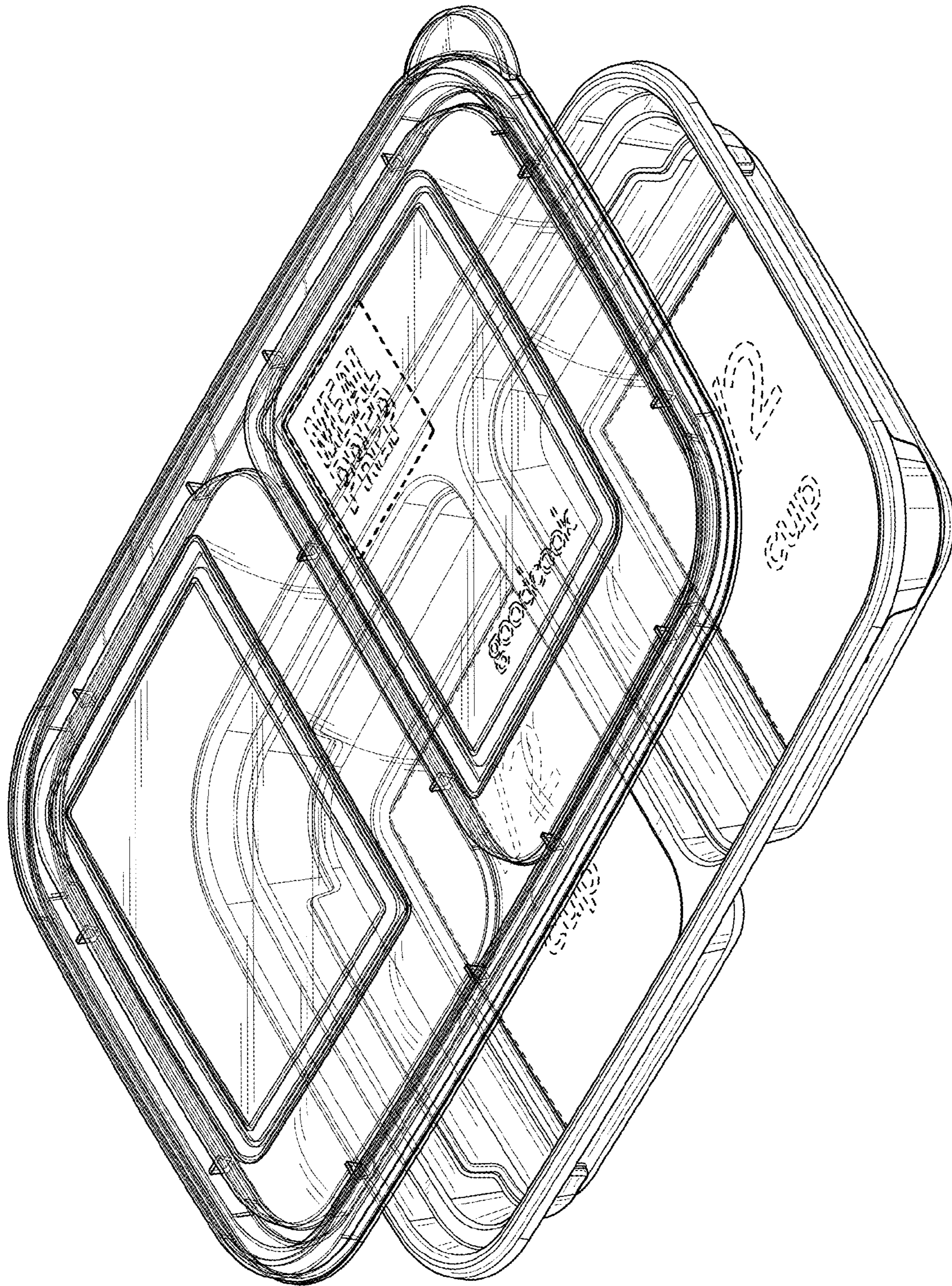


FIG. 8

