



US00D905573S

(12) **United States Design Patent**
Flanagan

(10) **Patent No.:** **US D905,573 S**

(45) **Date of Patent:** **** Dec. 22, 2020**

(54) **COMBINED LID AND CONTAINER**

(71) Applicant: **BRADSHAW INTERNATIONAL, INC.**, Rancho Cucamonga, CA (US)

(72) Inventor: **Leila Flanagan**, Redlands, CA (US)

(73) Assignee: **BRADSHAW INTERNATIONAL, INC.**, Rancho Cucamonga, CA (US)

(**) Term: **15 Years**

(21) Appl. No.: **29/679,615**

(22) Filed: **Feb. 7, 2019**

(51) **LOC (12) Cl.** **09-03**

(52) **U.S. Cl.**

USPC **D9/737**; D9/425; D7/703

(58) **Field of Classification Search**

USPC D9/737, 756, 759, 761, 503, 504, 414, D9/424-426, 430, 432; D7/538, 541, D7/542, 553.1-553.3, 553.7, 555, 557, D7/701, 703, 708, 602, 629; D3/203.3, D3/273, 283, 294, 295, 310, 313; D24/226, 227, 229; 229/120.02, 120.07, 229/406, 407, 904, 906; 220/500, 507, 220/508, 553, 555, 556; 206/521.1, 206/521.15, 561, 443

CPC B65D 1/24; B65D 43/162; B65D 77/046; B65D 81/3294; B65D 43/169; B65D 45/00; B65D 1/36; B65D 2543/00194; B65D 2543/00296; B65D 2543/00555; B65D 2581/3425; B65D 25/04; B65D 43/0218; A47G 19/02; A47G 19/065; A47G 23/0608

See application file for complete search history.

(56) **References Cited**

U.S. PATENT DOCUMENTS

D194,054 S 11/1962 Grossman
3,107,027 A 10/1963 Hong

D236,691 S * 9/1975 Haase D9/761
4,081,646 A 3/1978 Goltzos
4,574,174 A 3/1986 McGonigle
D305,409 S * 1/1990 Michaud D9/759
D339,030 S 9/1993 Bitel, Sr.
D352,203 S * 11/1994 Campbell D7/546
5,419,451 A 5/1995 Bitel, Jr.
D372,170 S 7/1996 Ahern, Jr.
D395,985 S 7/1998 Krupa et al.
D415,422 S 10/1999 McCann
D442,484 S 5/2001 Maxwell et al.
D451,769 S 12/2001 Stanos et al.
6,467,647 B1 10/2002 Tucker et al.
6,471,084 B2 10/2002 Erb
D489,579 S 5/2004 Wright
D494,857 S 8/2004 Chen et al.
6,910,599 B2 6/2005 Tucker et al.

(Continued)

Primary Examiner — W. A. Teddy Falloway

(74) *Attorney, Agent, or Firm* — Birch, Stewart, Kolasch & Birch, LLP

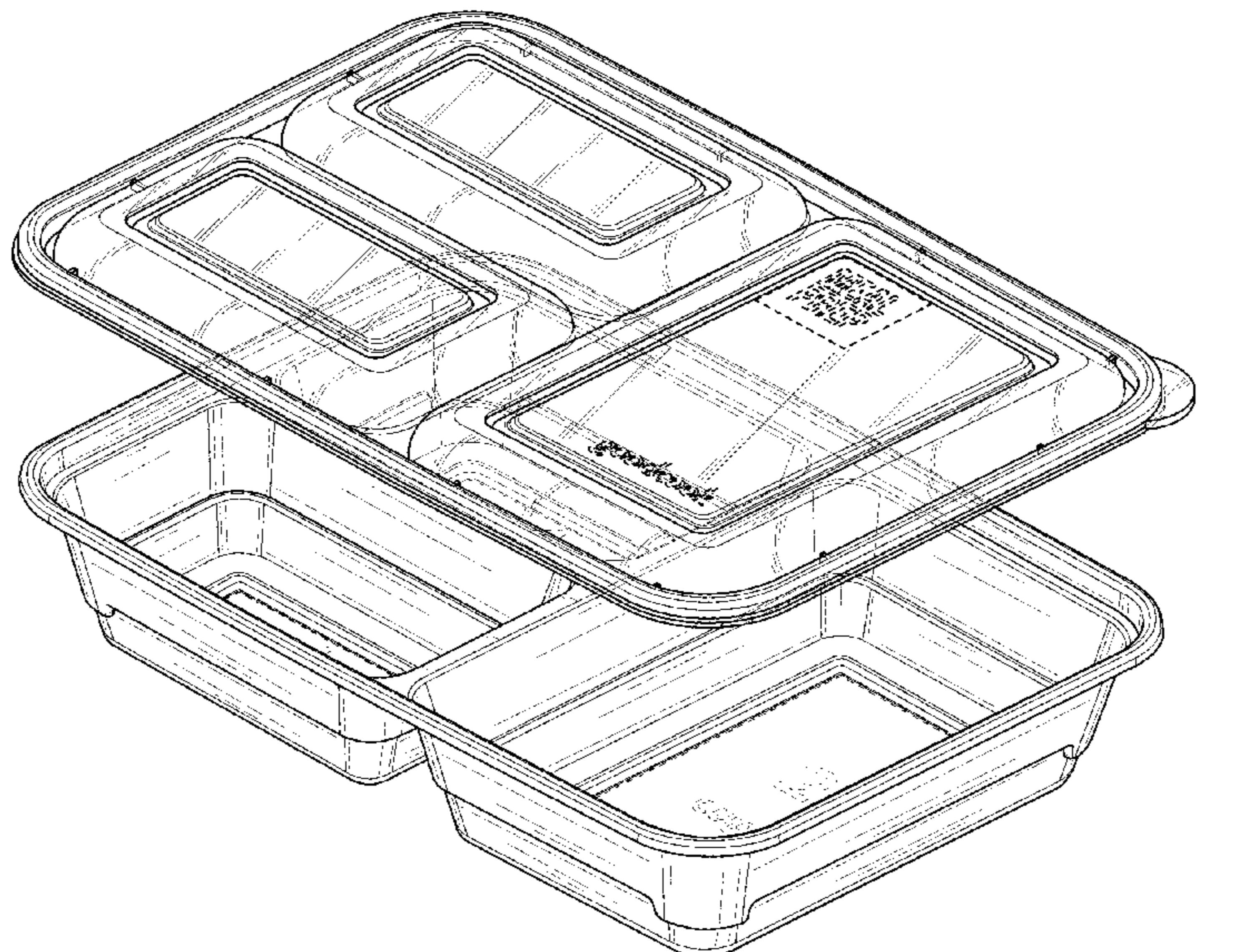
(57) **CLAIM**

The ornamental design for a combined lid and container, as shown and described.

DESCRIPTION

FIG. 1 is a front, top, right perspective view of the combined lid and container showing my new design;
FIG. 2 is a front view thereof;
FIG. 3 is a rear view thereof;
FIG. 4 is a left side view thereof;
FIG. 5 is a right side view thereof;
FIG. 6 is a top plan view thereof;
FIG. 7 is a bottom plan view thereof; and,
FIG. 8 is an exploded view showing the lid disconnected from the container.
The broken lines in the Figures are for the purpose of illustrating portions of the combined lid and container and form no part of the claimed design.

1 Claim, 8 Drawing Sheets



(56)

References Cited

U.S. PATENT DOCUMENTS

D515,880 S	2/2006	Lerner		D672,613 S	12/2012	Stamper et al.	
7,097,066 B2	8/2006	Tucker et al.		D672,614 S	12/2012	Stamper et al.	
7,114,630 B2 *	10/2006	Dege	B65D 1/36	D672,615 S	12/2012	Stamper et al.	
			220/526	D672,616 S	12/2012	Stamper et al.	
D539,666 S	4/2007	Chou		D673,009 S	12/2012	Stamper et al.	
7,261,219 B2	8/2007	Tucker et al.		D691,038 S	10/2013	Tyberghein	
D552,487 S	10/2007	Chou		D691,901 S	10/2013	Epstein	
D586,623 S	2/2009	Dunn		D695,575 S	12/2013	Katz	
D596,499 S	7/2009	Willis et al.		D696,910 S	1/2014	Franczyk et al.	
D606,812 S	12/2009	Wu		D707,120 S	6/2014	Tyberghein	
D608,153 S	1/2010	Furlong		D711,220 S	8/2014	Tyberghein	
7,726,483 B2	6/2010	Ramanujam et al.		8,807,373 B1 *	8/2014	Russell	A47G 23/06
D643,251 S	8/2011	Stamper et al.					220/359.1
D645,707 S	9/2011	Stamper et al.		D744,294 S	12/2015	Linder	
D645,708 S	9/2011	Stamper et al.		D755,579 S	5/2016	Wu	
D649,838 S	12/2011	Stamper et al.		D763,706 S	8/2016	Shum et al.	
D649,839 S	12/2011	Stamper et al.		D769,113 S	10/2016	Chen	
D653,913 S	2/2012	Stamper et al.		D792,222 S *	7/2017	Sill	D9/456
D655,988 S *	3/2012	Miros	D7/629	D830,796 S *	10/2018	Chen	D7/703
D659,479 S	5/2012	Peck		10,494,143 B2	12/2019	Kuo et al.	
D660,087 S	5/2012	Ewen et al.		D875,530 S *	2/2020	Sill	D9/456
D665,674 S	8/2012	Wu		D891,918 S *	8/2020	Chen	D9/425
D665,675 S	8/2012	Wu		2002/0108955 A1 *	8/2002	Erb	B65D 77/2024
D665,676 S	8/2012	Wu					220/359.4
D666,058 S	8/2012	Liang et al.		2004/0031799 A1 *	2/2004	Dege	B65D 1/36
8,317,044 B2	11/2012	Wu et al.					220/523
D672,204 S	12/2012	Stamper et al.		2006/0029695 A1	2/2006	Kaczor	
D672,612 S	12/2012	Stamper et al.		2006/0201950 A1	9/2006	Liu	
				2011/0020772 A1	1/2011	Carter et al.	
				2017/0113848 A1	4/2017	Zhen	
				2018/0086500 A1	3/2018	Kuo	

* cited by examiner

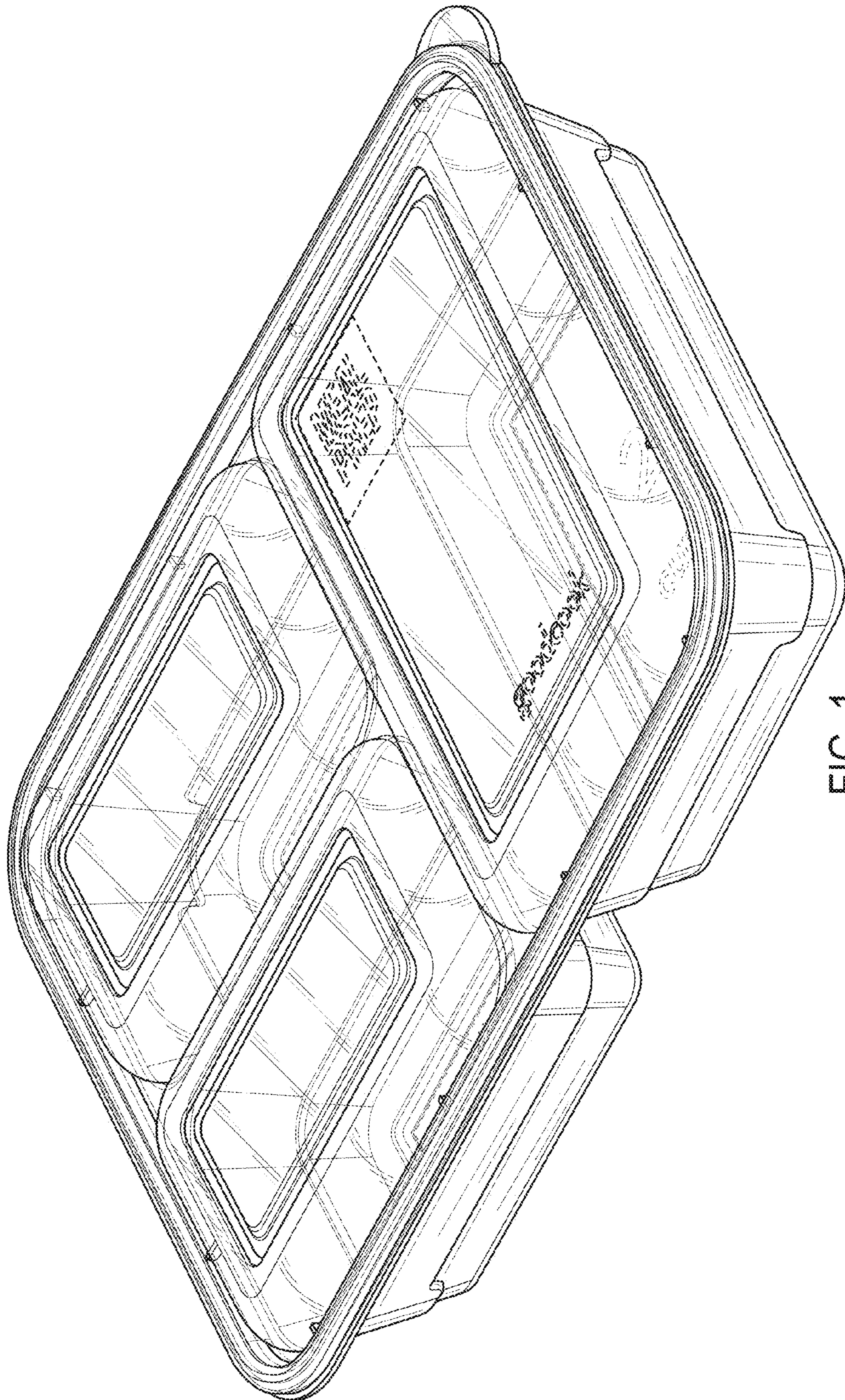


FIG. 1

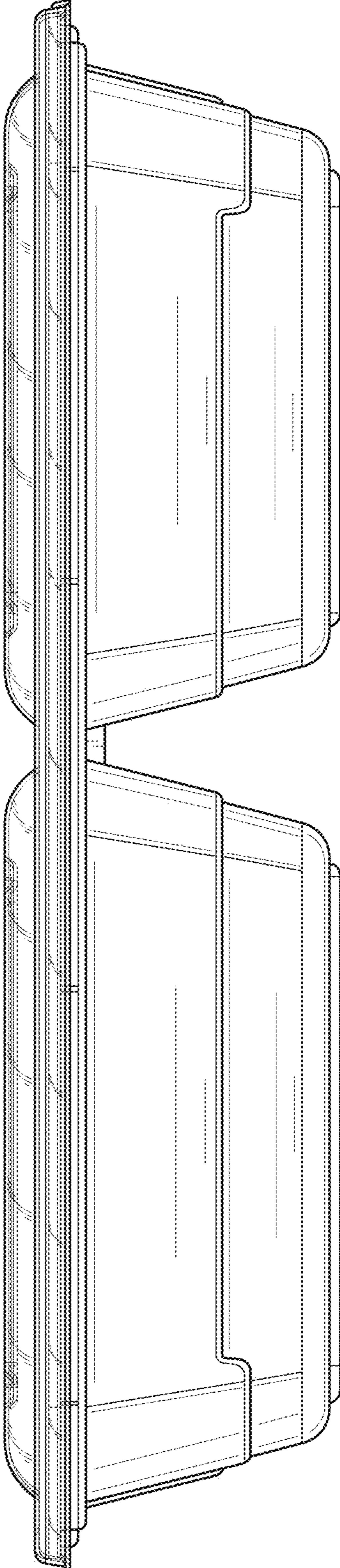


FIG. 2

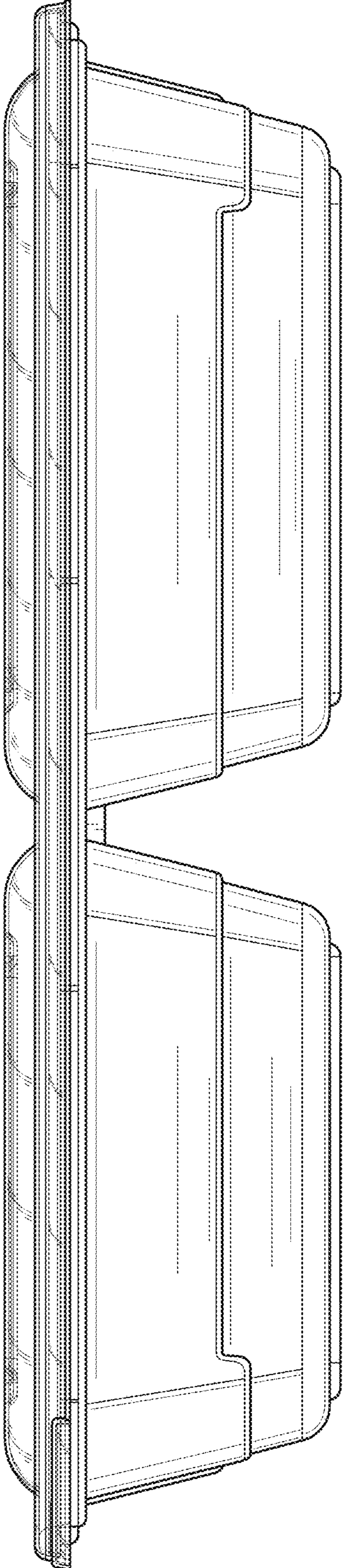


FIG. 3

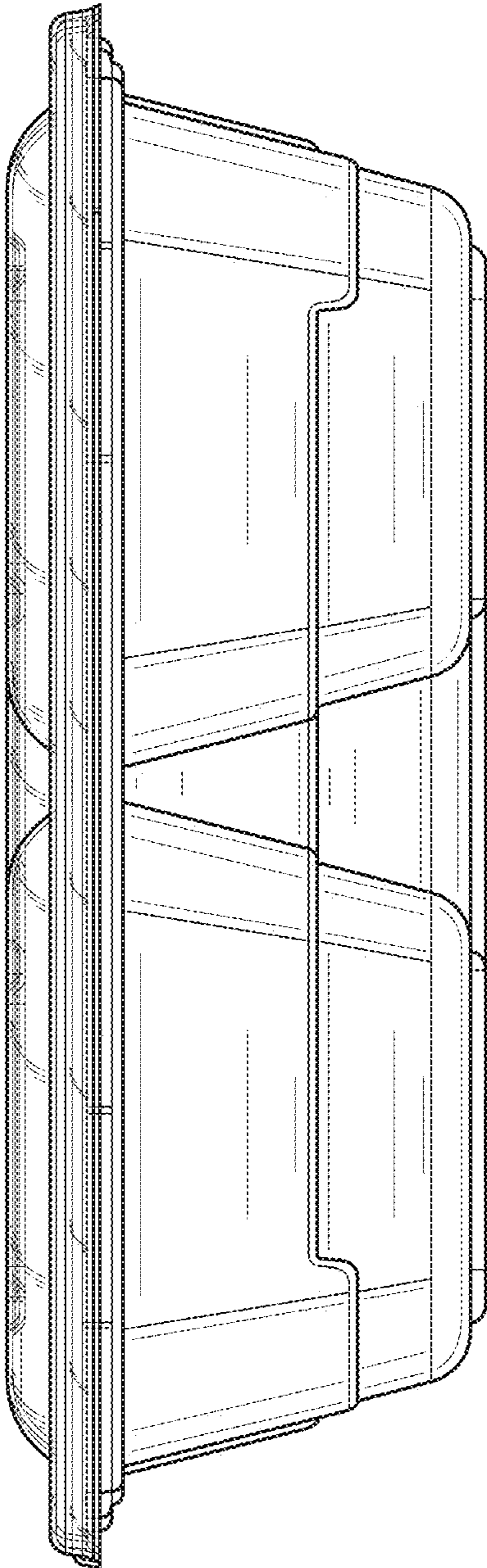


FIG. 4

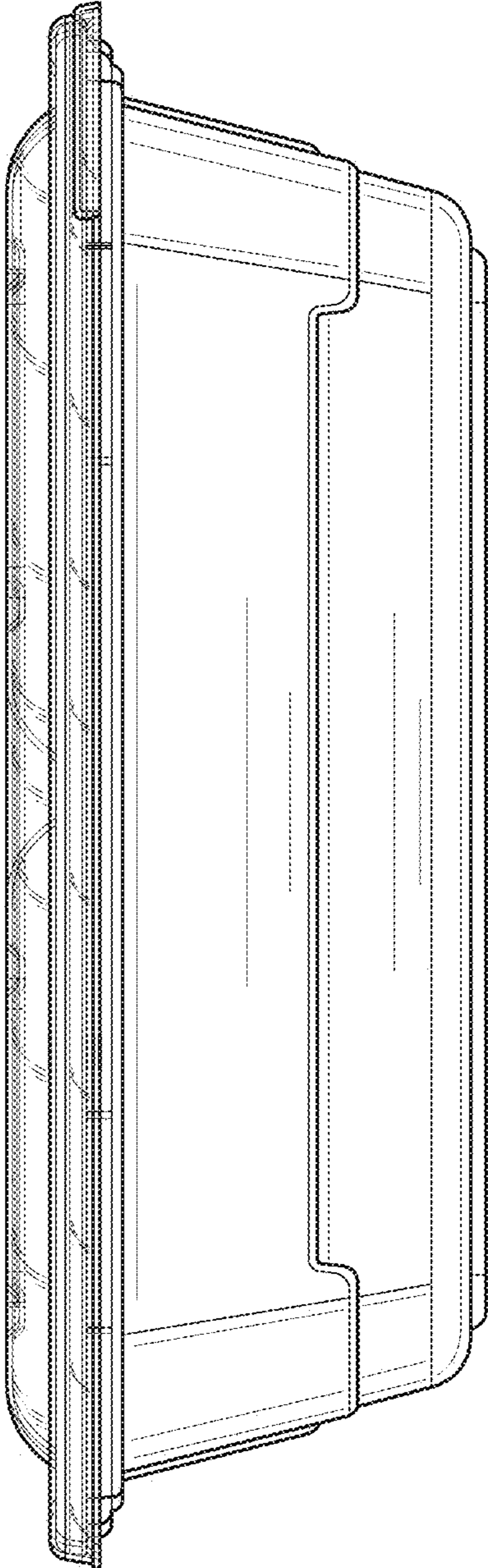


FIG. 5

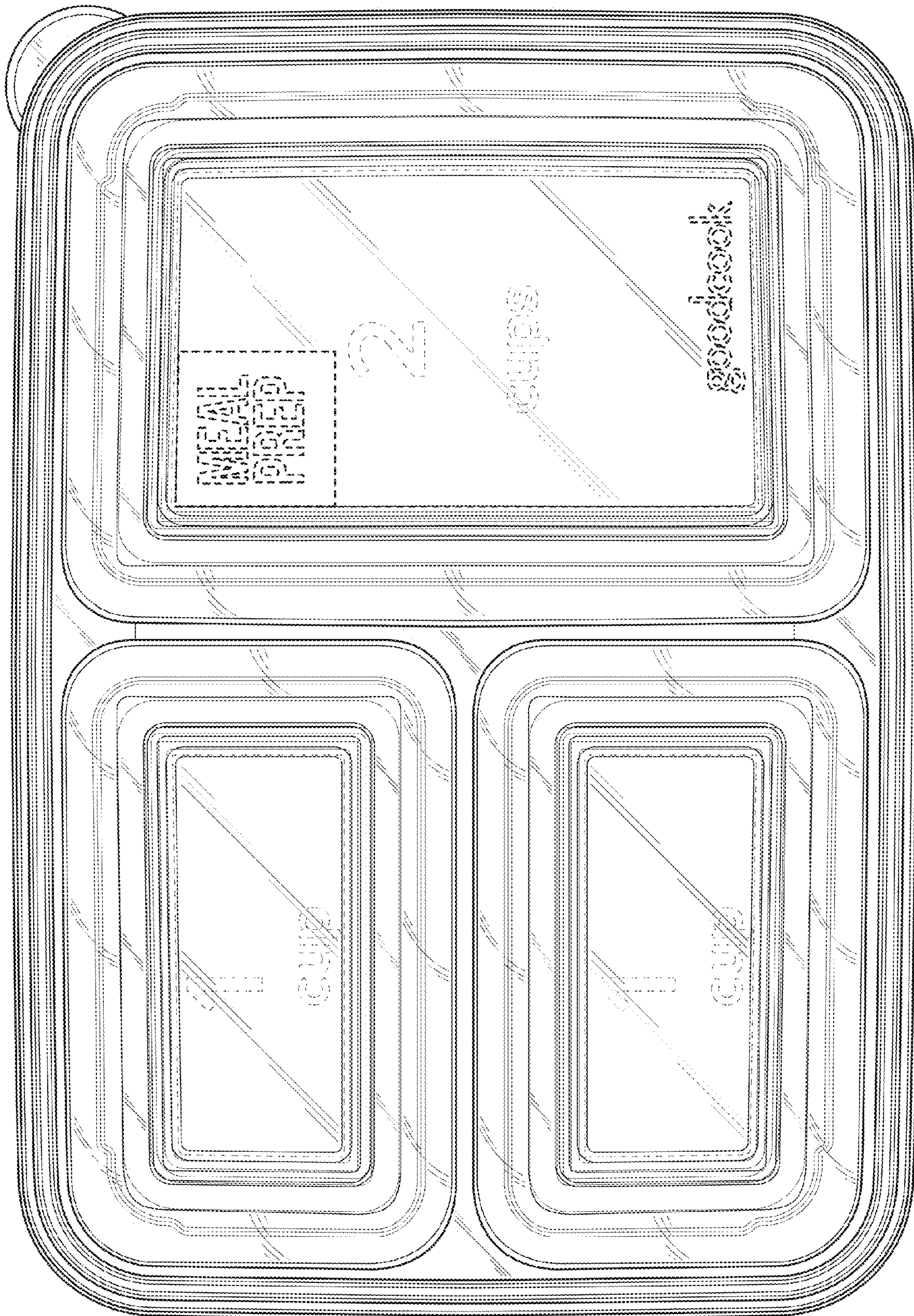


FIG. 6

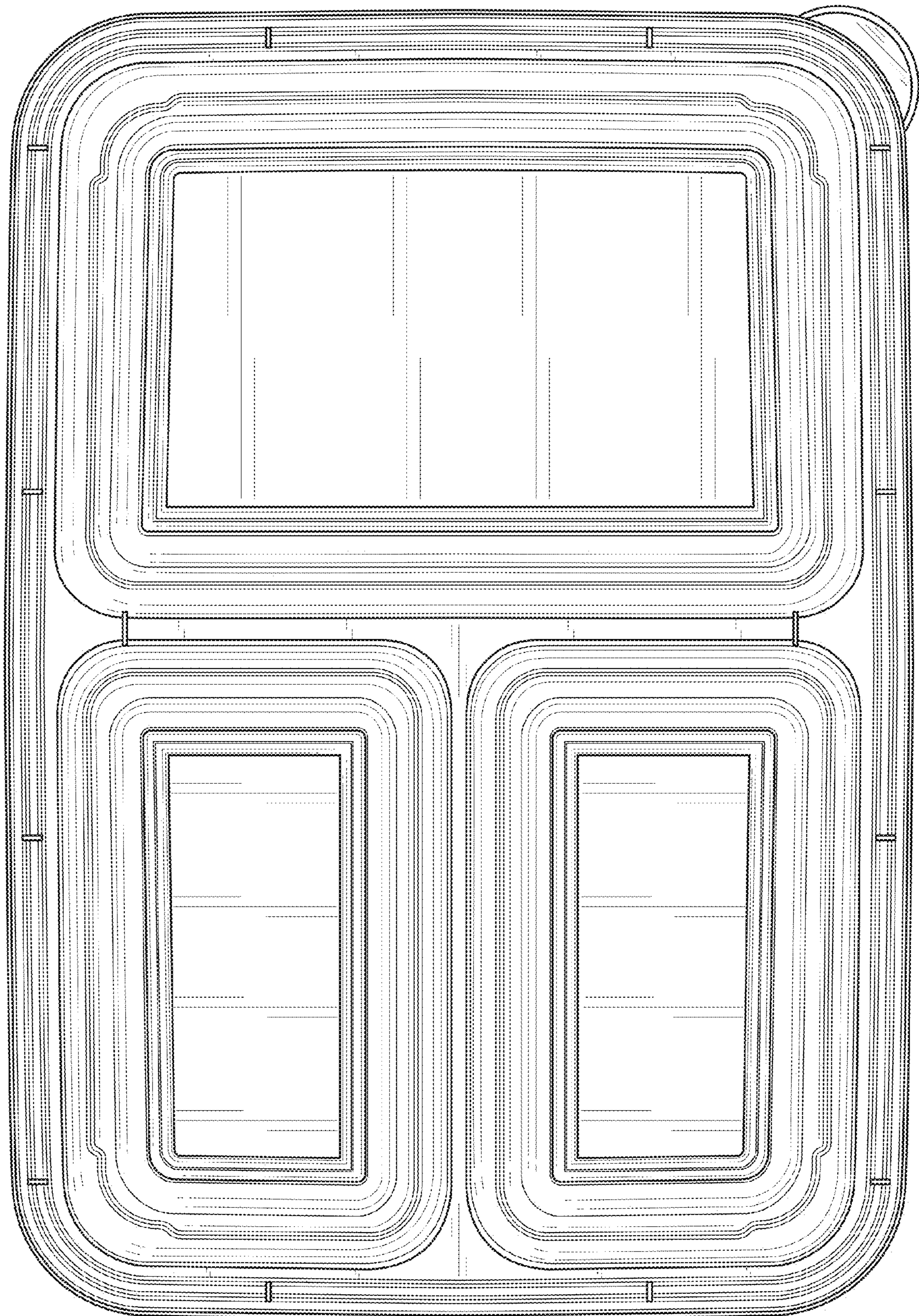


FIG. 7

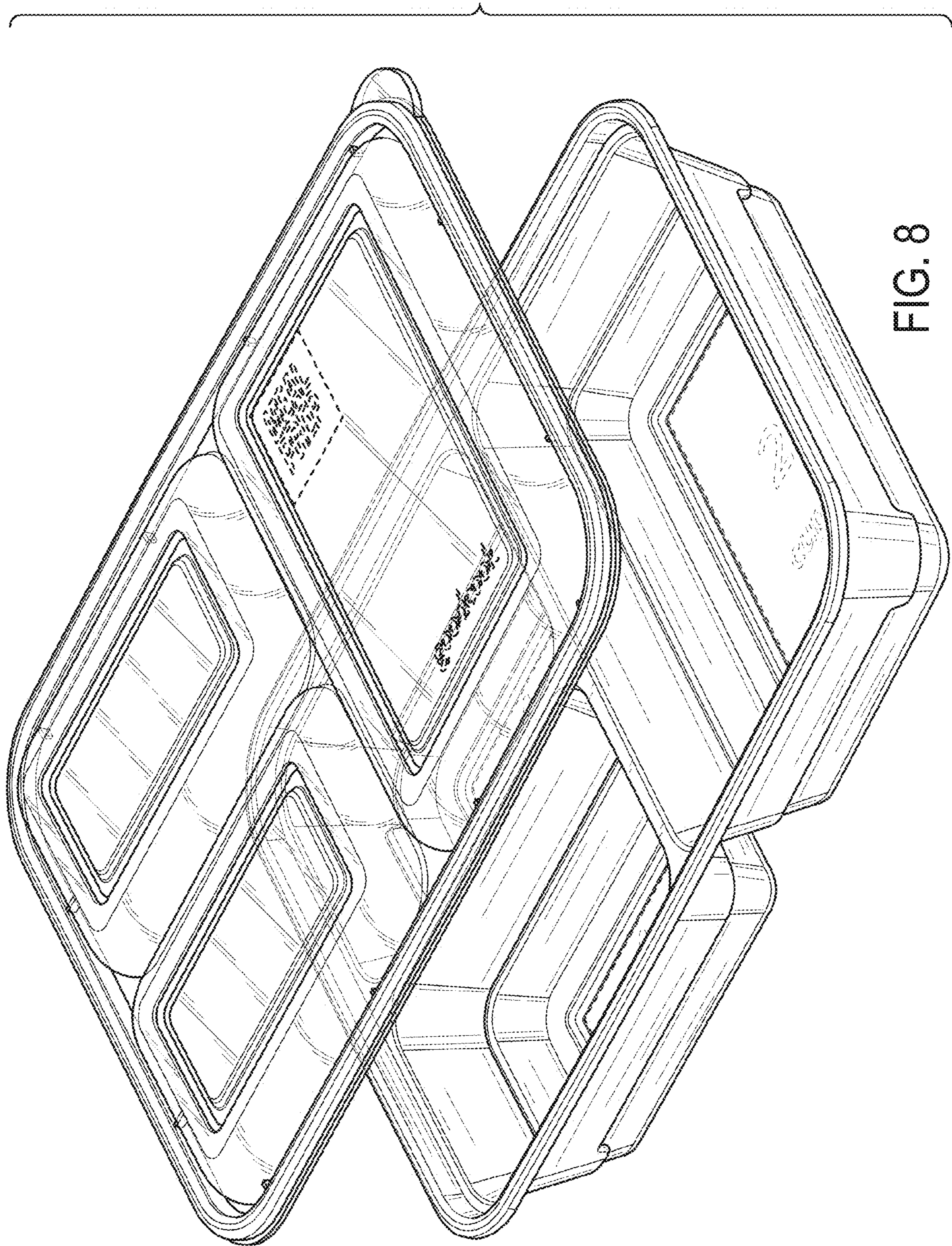


FIG. 8