



US00D905571S

(12) **United States Design Patent** (10) **Patent No.:** **US D905,571 S**
Salazar, Jr. et al. (45) **Date of Patent:** **** Dec. 22, 2020**

(54) **SURFACE PATTERN APPLIED TO A WINDOWED RECEPTACLE**

(71) Applicants: **Demetrio Salazar, Jr.**, La Plata, NM (US); **Joseph A. McArdle**, Cupertino, CA (US); **Asif Ahsan**, Livermore, CA (US)

(72) Inventors: **Demetrio Salazar, Jr.**, La Plata, NM (US); **Joseph A. McArdle**, Cupertino, CA (US); **Asif Ahsan**, Livermore, CA (US)

(**) Term: **15 Years**

(21) Appl. No.: **29/685,918**

(22) Filed: **Apr. 1, 2019**

(51) **LOC (12) Cl.** **09-05**

(52) **U.S. Cl.**
USPC **D9/711**

(58) **Field of Classification Search**
USPC D9/702-714, 720-721, 643-648, D9/414-418, 430-433, 761, 434; 426/106; 222/92, 107; 383/61.1, 78, 383/108, 112, 106; 229/87.06, 87.08, 229/902-904, 123.2, 125.4, 407, 162.6, 229/162.7, 162.3, 162.1, 125.04; D6/470; 428/34.1; D7/602, 607; 206/485, 484, 206/811; 220/4.21, 666, 662, 602
CPC B65D 67/00; B65D 33/24; B65D 33/04; B65D 33/00; B65D 1/00; B65D 1/02; B65D 1/24; B65D 1/34; B65D 81/00; B65D 81/02; B65D 81/24; B65D 81/34; B65D 81/36; B65D 81/60; B65D 81/368; B65D 2203/02; B65D 2203/00

See application file for complete search history.

(56) **References Cited**

U.S. PATENT DOCUMENTS

| | | | |
|--------------|--------|----------------|--------|
| D259,997 S * | 7/1981 | Porteous | D9/707 |
| D644,122 S * | 8/2011 | Kight | D9/418 |
| D677,576 S * | 3/2013 | Gridley | D9/601 |
| D723,383 S * | 3/2015 | Tseng | D9/703 |
| D767,406 S * | 9/2016 | Kennedy | D9/643 |

* cited by examiner

Primary Examiner — Abraham Bahta

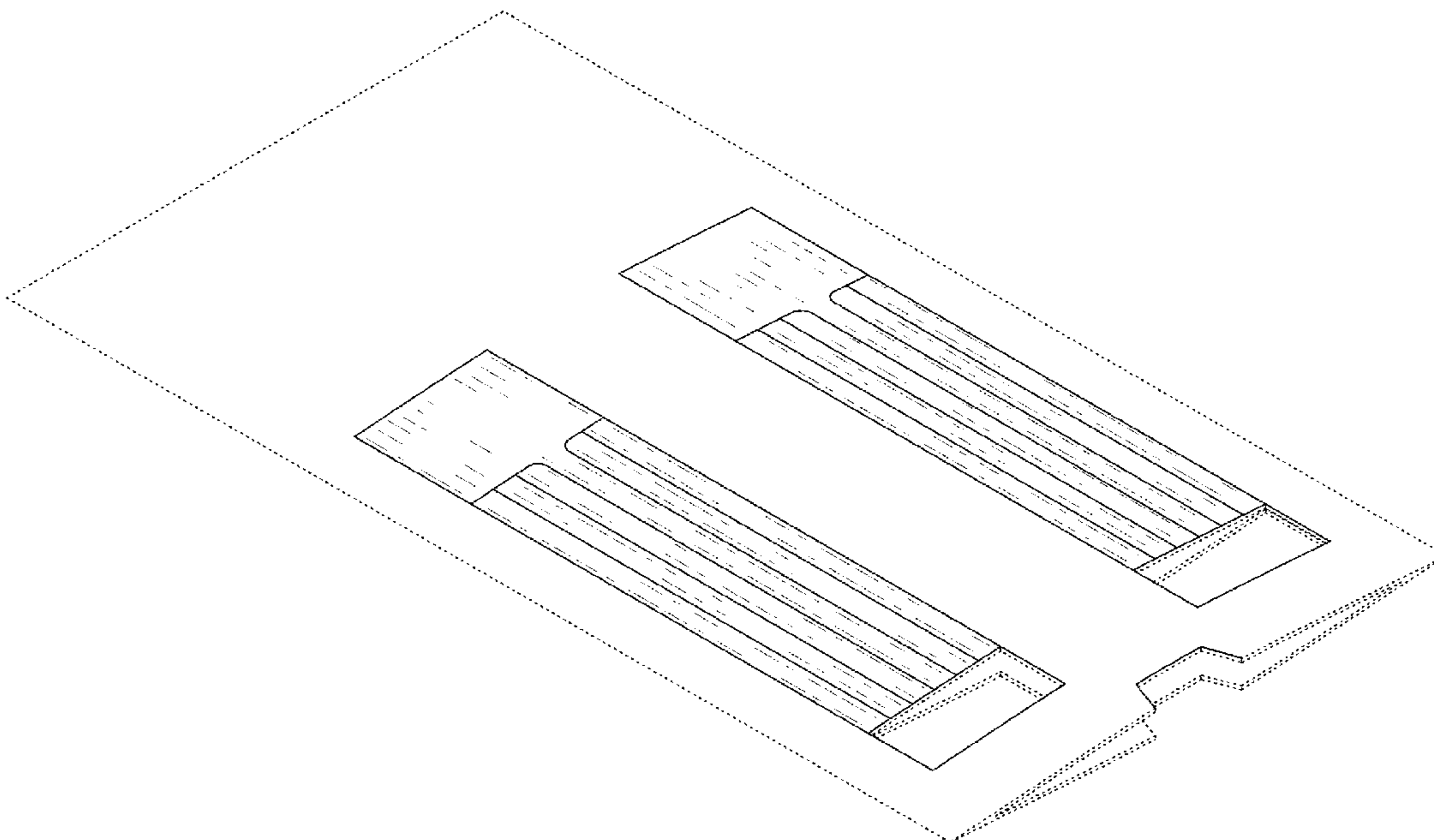
(57) **CLAIM**

The ornamental design for a surface pattern applied to a windowed receptacle, as shown and described.

DESCRIPTION

FIG. 1 is a perspective view of a surface pattern applied to a windowed receptacle showing my new design; FIG. 2 is a front elevational view thereof; FIG. 3 is a rear elevational view thereof; FIG. 4 is a right side elevational view thereof; FIG. 5 is a left side elevational view thereof; FIG. 6 is a top plan view thereof; FIG. 7 is a bottom plan view thereof; FIG. 8 is a detail view taken from an area circumscribed by dash-dot-dash lines marked 8 in FIG. 1; and, FIG. 9 is a detail view take from an area circumscribed by dash-dot-dash lines marked in FIG. 1. The broken line showing of a sleeve is included for the purpose of illustrating environmental structure and forms no part of the claimed design. The broken line showing of an interior is included for the purpose of illustrating an arbitrary wall thickness of the sleeve or similar receptacle. The dash-dot-dash lines show the circumscribed area and form no part of the claimed design.

1 Claim, 9 Drawing Sheets



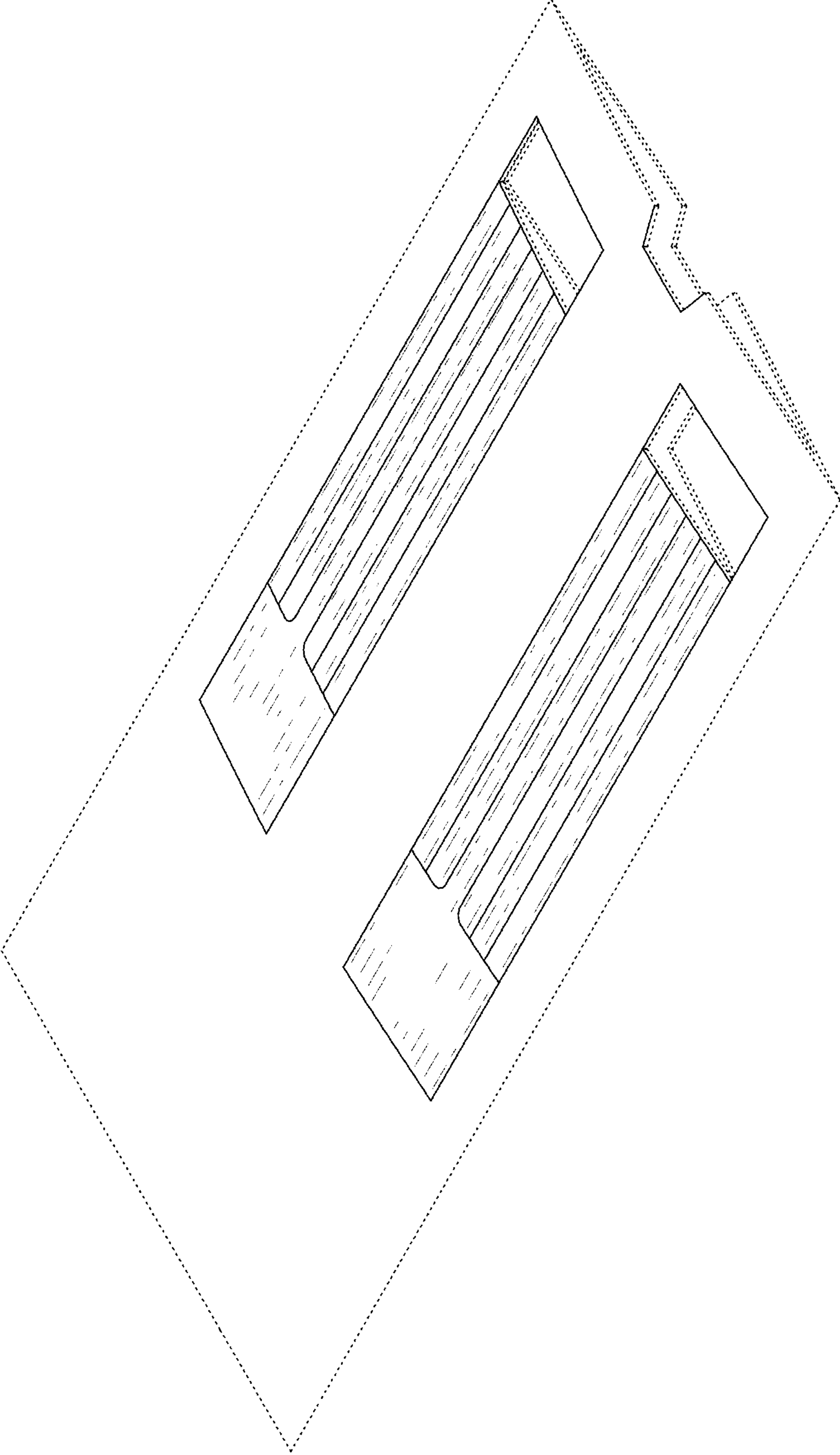


FIG. 1

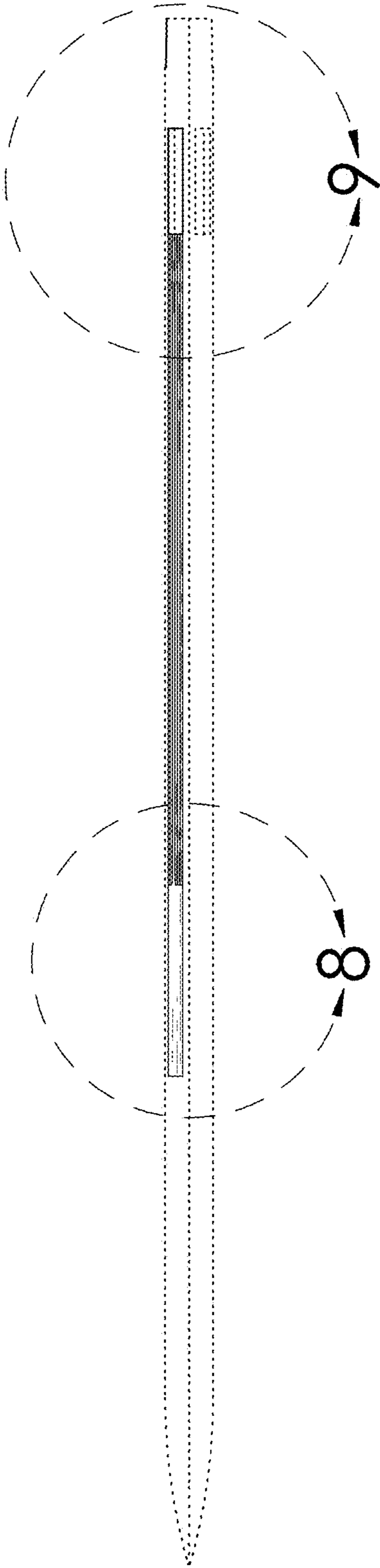


FIG. 2

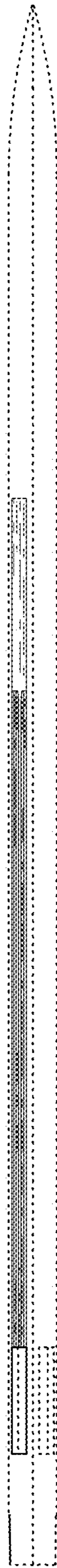


FIG. 3

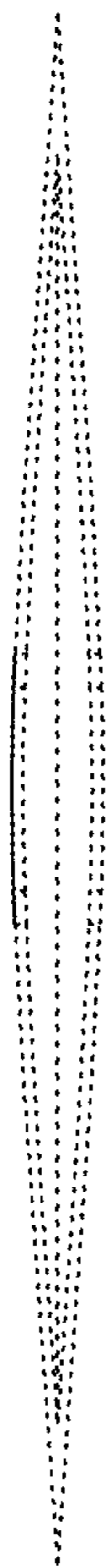


FIG. 4

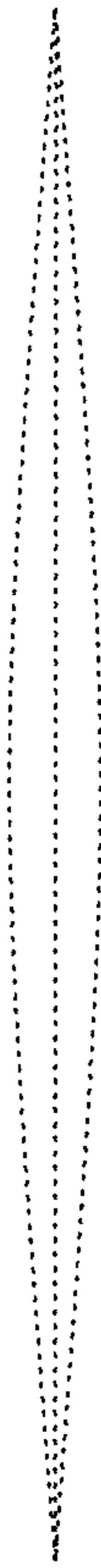


FIG. 5

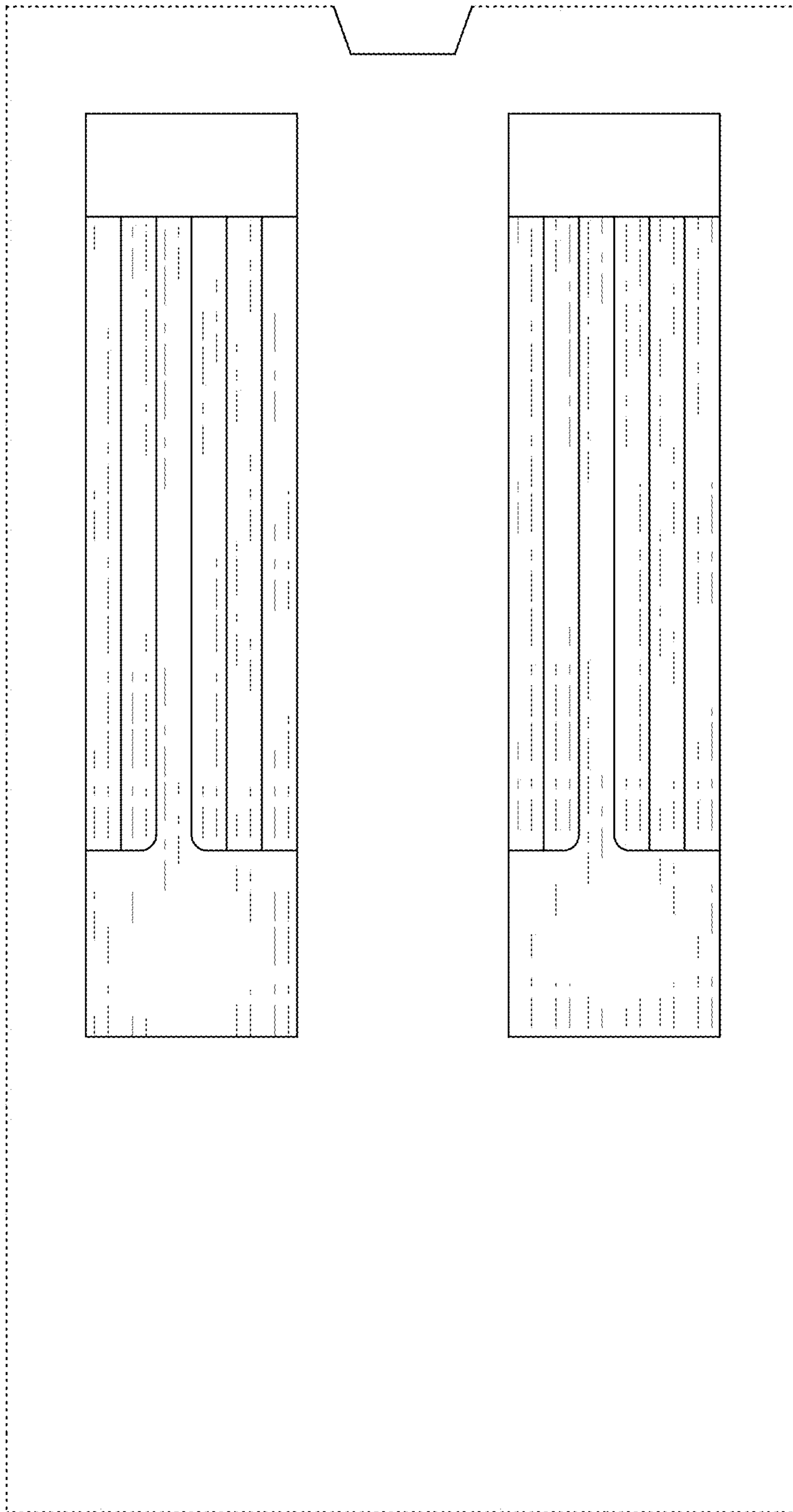


FIG. 6

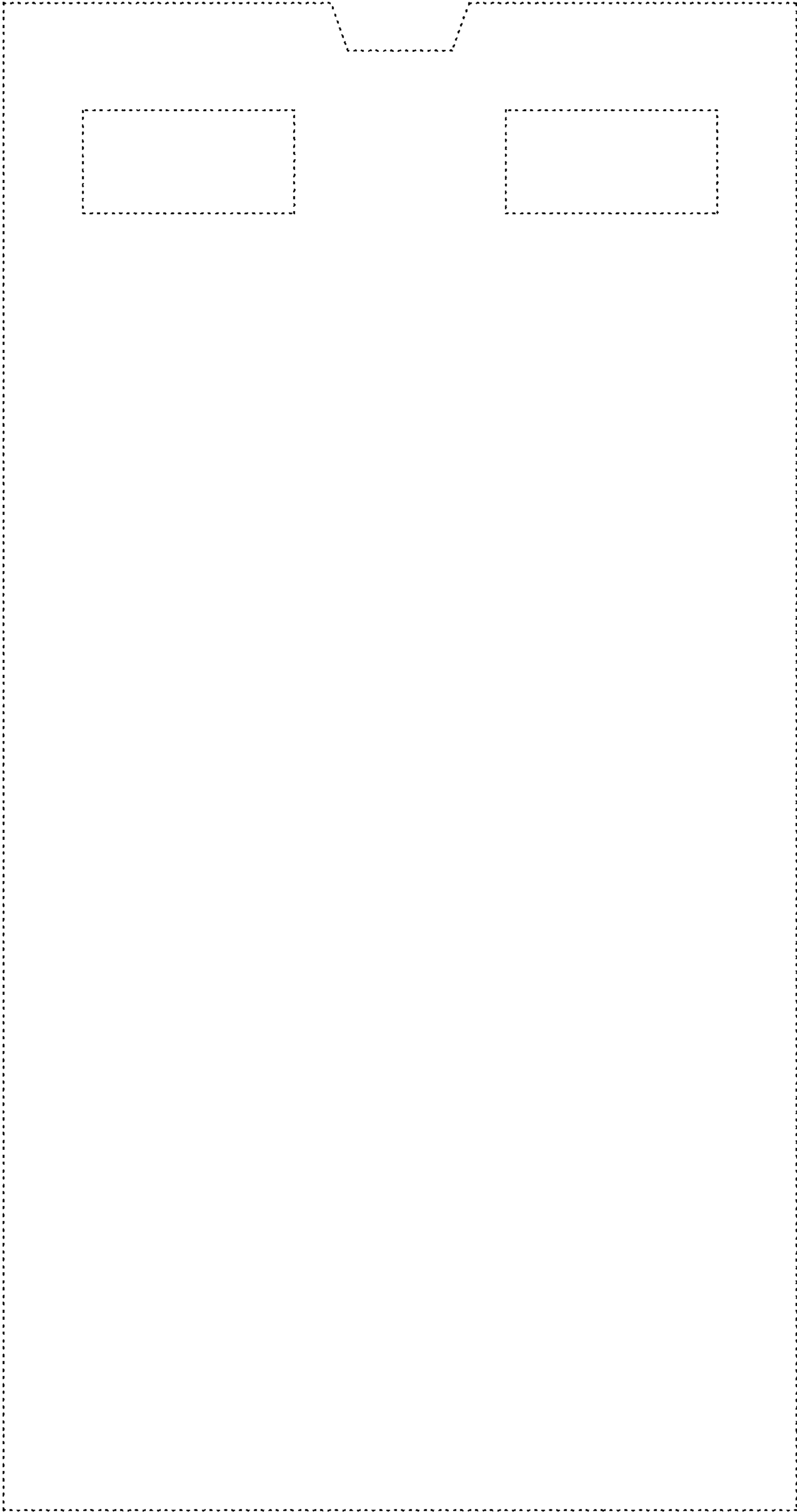


FIG. 7

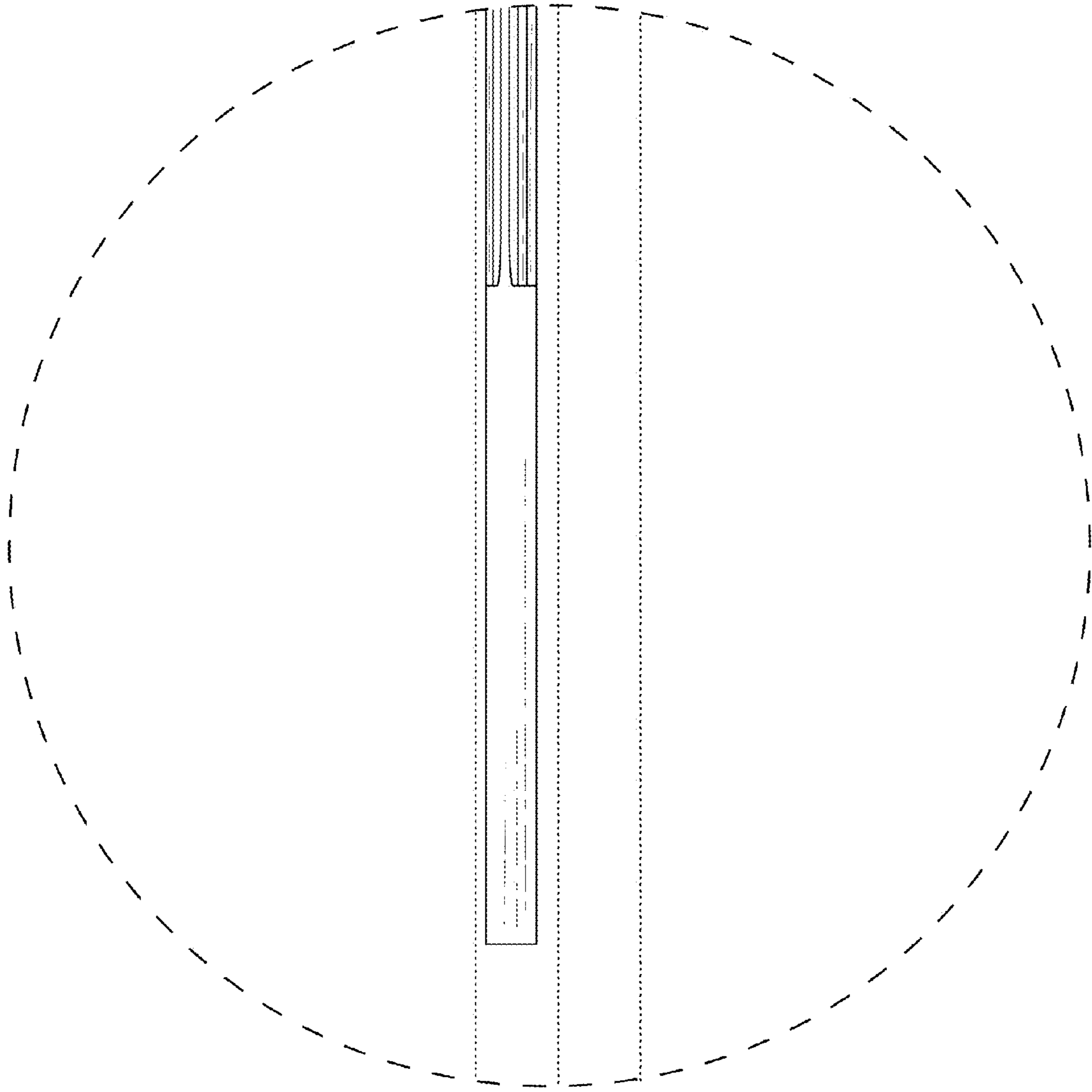


FIG. 8

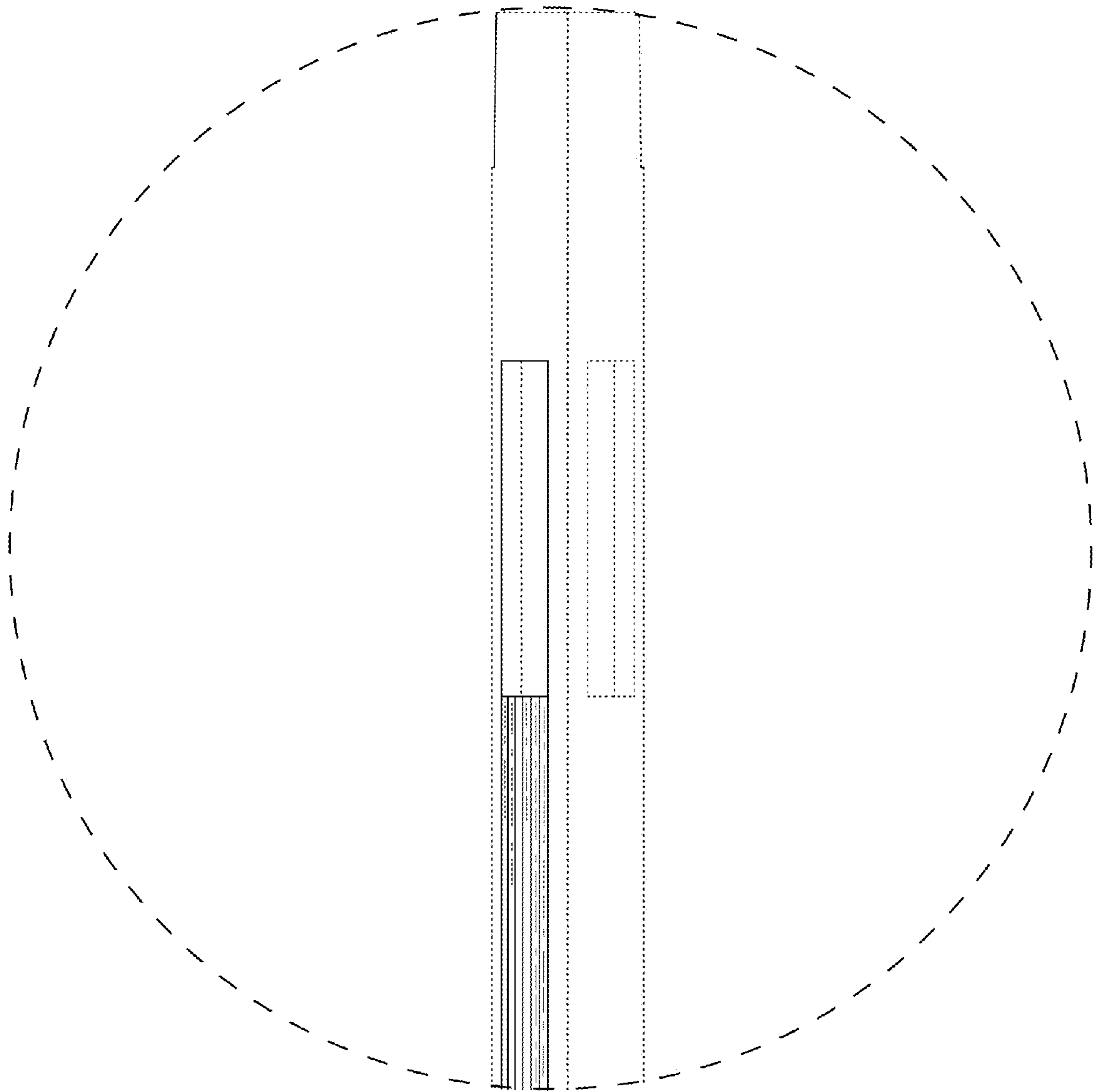


FIG. 9