



US00D905565S

(12) **United States Design Patent** (10) **Patent No.:** **US D905,565 S**  
**Sharpe** (45) **Date of Patent:** **\*\* Dec. 22, 2020**

(54) **FOOD BAG**

B65D 5/4258; B65D 37/00; B65D 77/00;  
B65D 77/10; B65D 77/12; B65D 77/14;  
A61J 1/10

(71) Applicant: **Frito-Lay Trading Company GmbH,**  
Berne (CH)

See application file for complete search history.

(72) Inventor: **Mike Sharpe,** Leicester (GB)

(56) **References Cited**

(73) Assignee: **Frito-Lay Trading Company GmbH,**  
Berne (CH)

U.S. PATENT DOCUMENTS

(\*\*) Term: **15 Years**

D643,745 S \* 8/2011 Hartley ..... D9/707  
D738,224 S \* 9/2015 Hogendoorn ..... D9/710  
D739,191 S \* 9/2015 Rana ..... D7/707  
D798,735 S \* 10/2017 Dieringer ..... D9/707  
D869,958 S \* 12/2019 Dupuy Donzet ..... D9/703

(21) Appl. No.: **29/704,627**

\* cited by examiner

(22) Filed: **Sep. 5, 2019**

(30) **Foreign Application Priority Data**

*Primary Examiner* — Abraham Bahta

Mar. 5, 2019 (GB) ..... 006277869-0001

(74) *Attorney, Agent, or Firm* — Barnes & Thornburg  
LLP; G. Peter Nichols

(51) **LOC (12) Cl.** ..... **09-05**

(52) **U.S. Cl.**  
USPC ..... **D9/703**

(57) **CLAIM**

(58) **Field of Classification Search**

The ornamental design for a food bag, as shown and described.

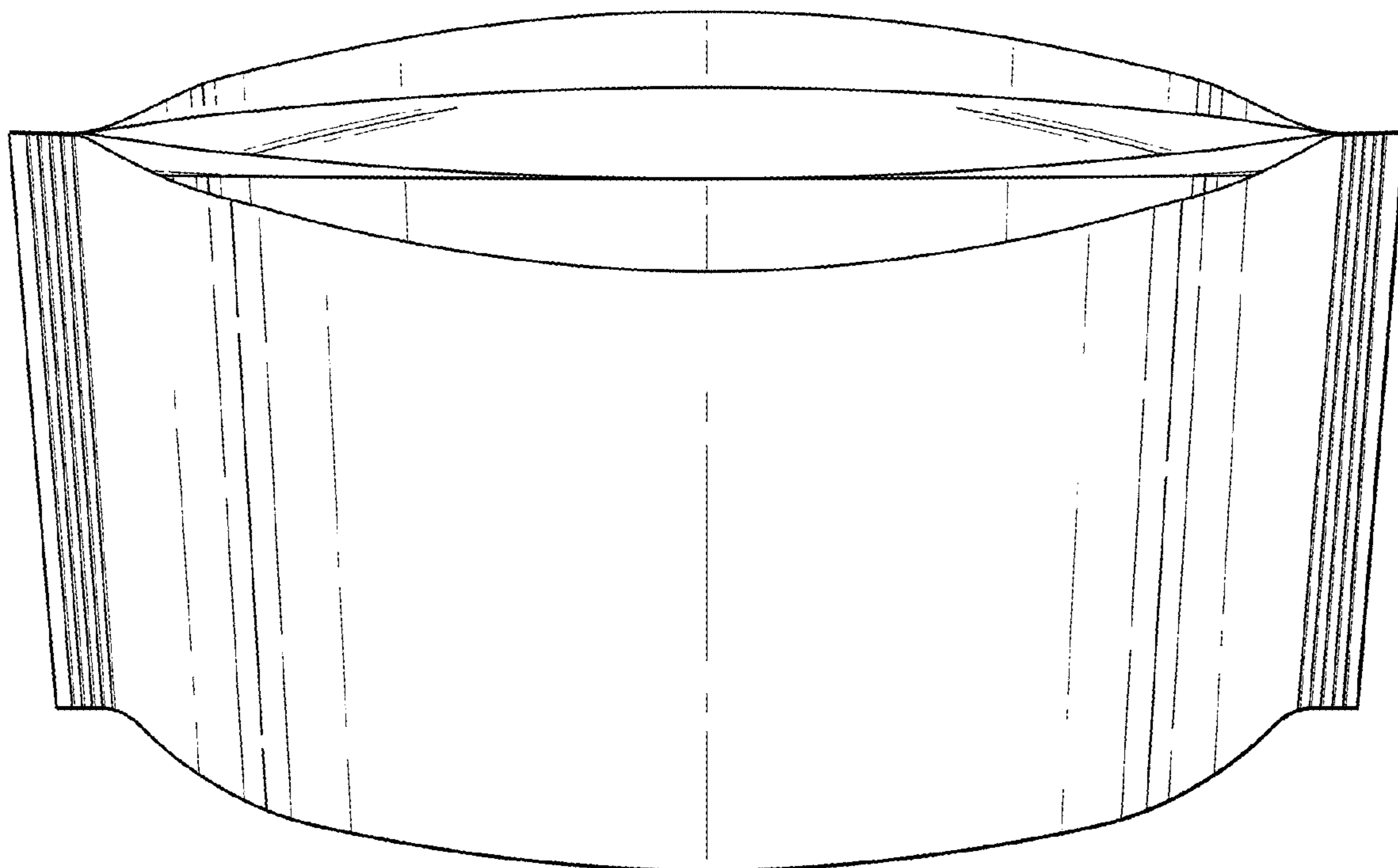
USPC ..... D9/702-714, 720-722, 414, 434-435,  
D9/696, 716, 771, 447, 516-517,  
D9/738-747, 544, 520-521; D24/118,  
D24/207, 108; 383/6, 9, 22, 96, 61.1,  
383/80-81, 104, 901, 63, 203, 107,  
383/119-120, 123, 61.2, 44; 220/675,  
220/495.03; 215/381-385, 400, 328, 316;  
206/484; D3/202; 428/34.3; 222/92,  
222/215, 95, 107; 604/408, 403, 415;  
229/87.01-87.9

CPC ..... A47K 10/42; B65D 33/00; B65D 33/008;  
B65D 33/20; B65D 33/24; B65D 81/00;  
B65D 81/36; B65D 5/00; B65D 5/42;

**DESCRIPTION**

FIG. 1 is a top-front perspective view of the food bag showing my new design;  
FIG. 2 is a front view thereof;  
FIG. 3 is a rear view thereof;  
FIG. 4 is a right side view thereof;  
FIG. 5 is a left side view thereof; and,  
FIG. 6 is a top view thereof.

**1 Claim, 6 Drawing Sheets**



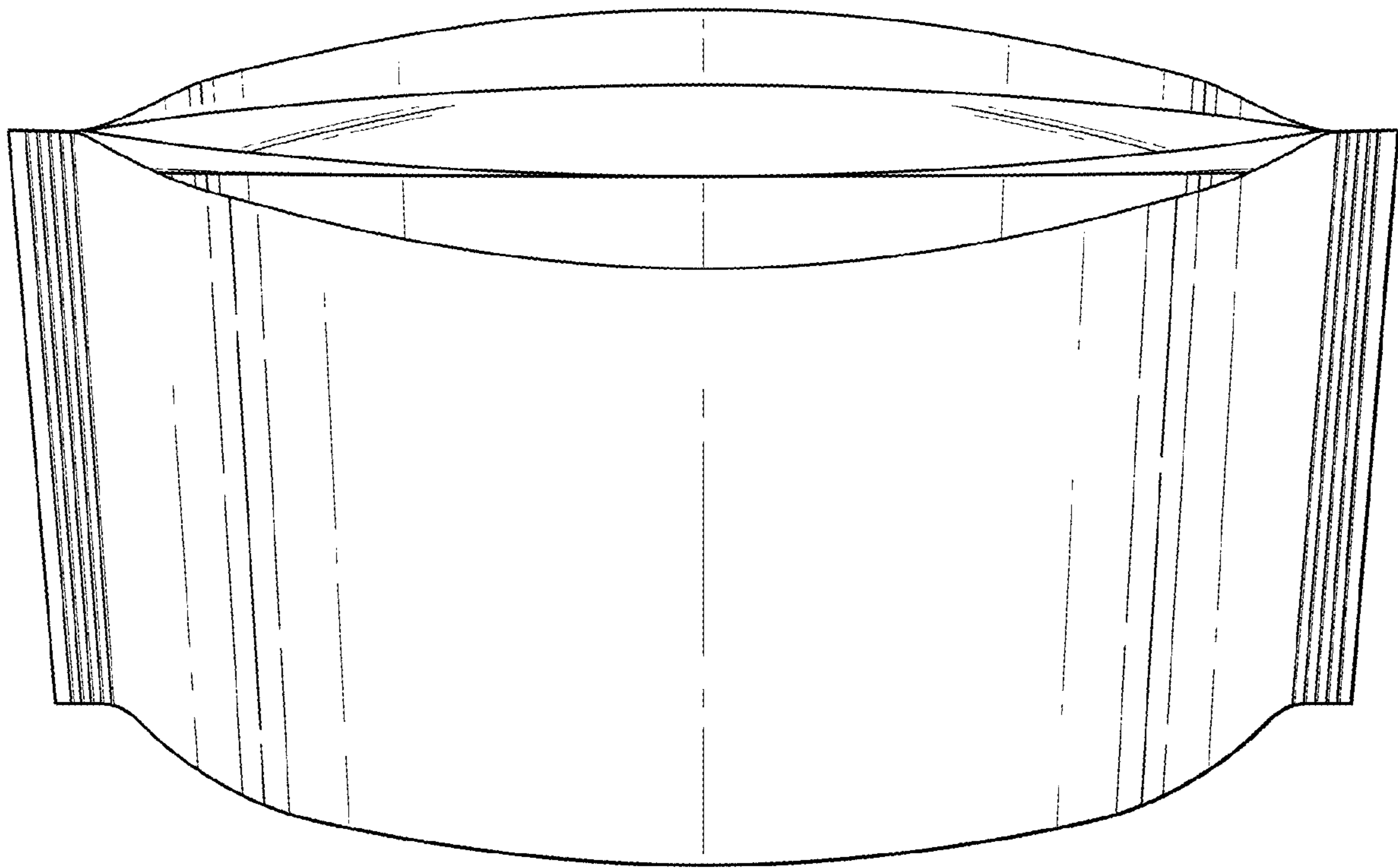


Fig. 1

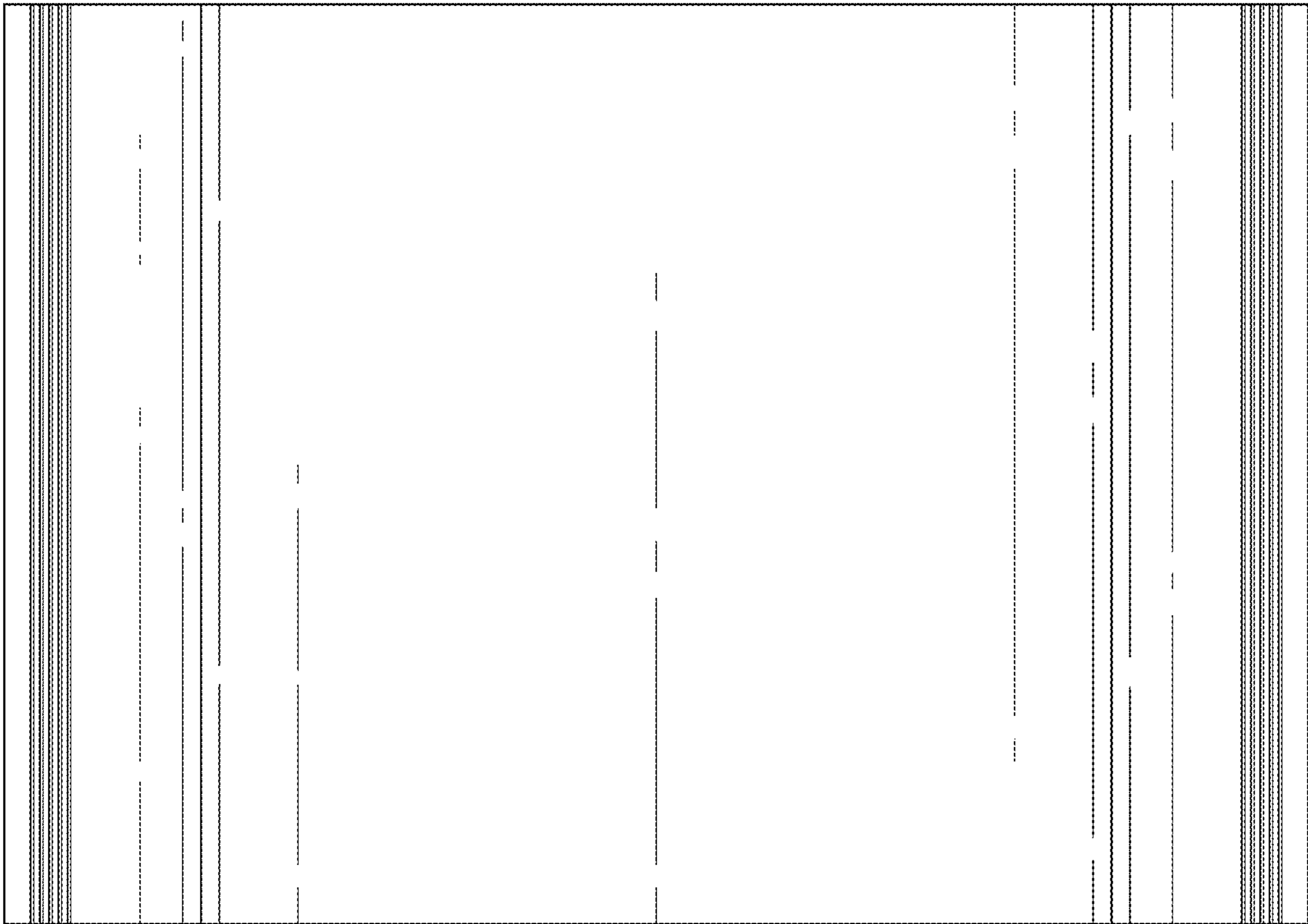


Fig. 2

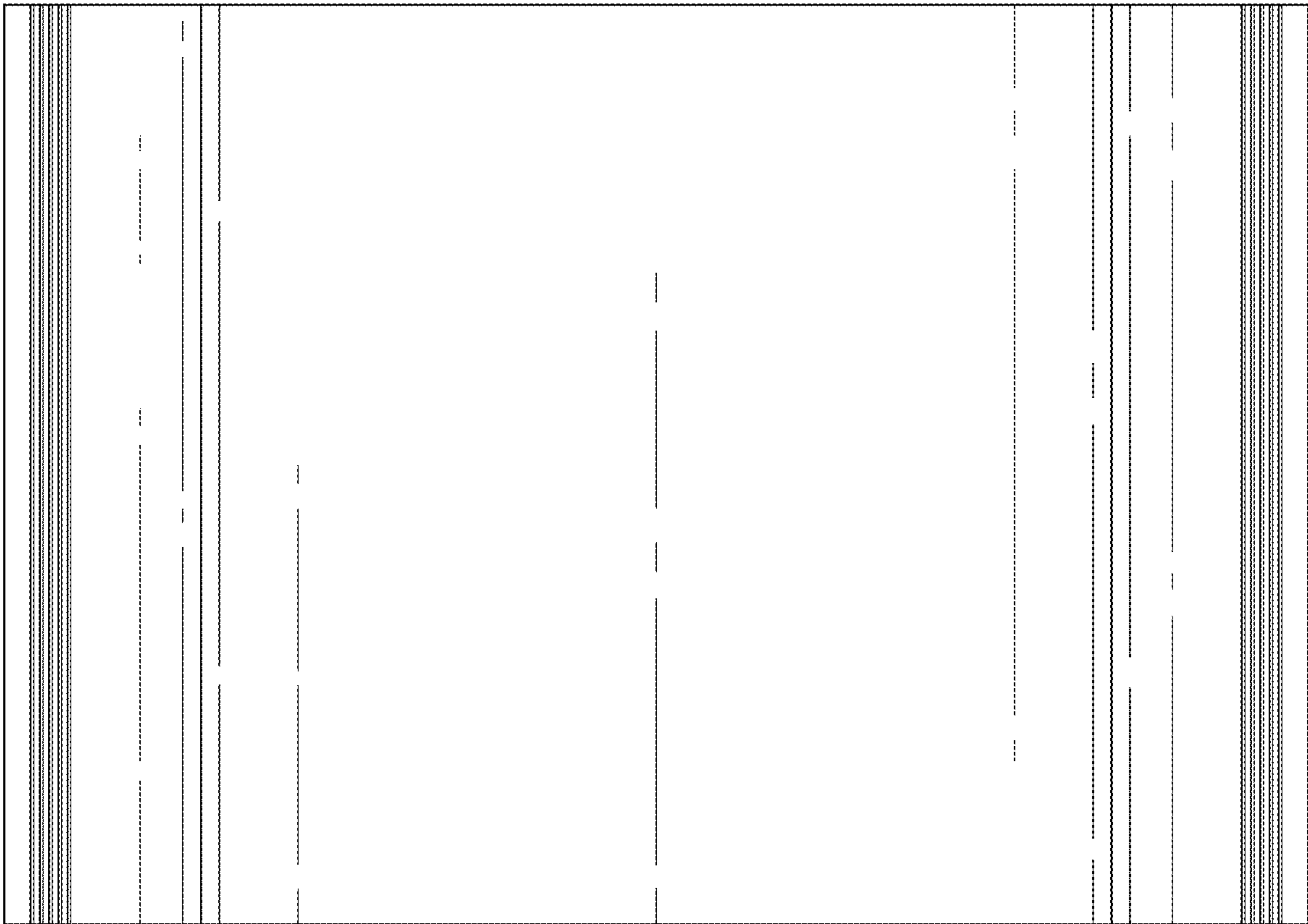


Fig. 3

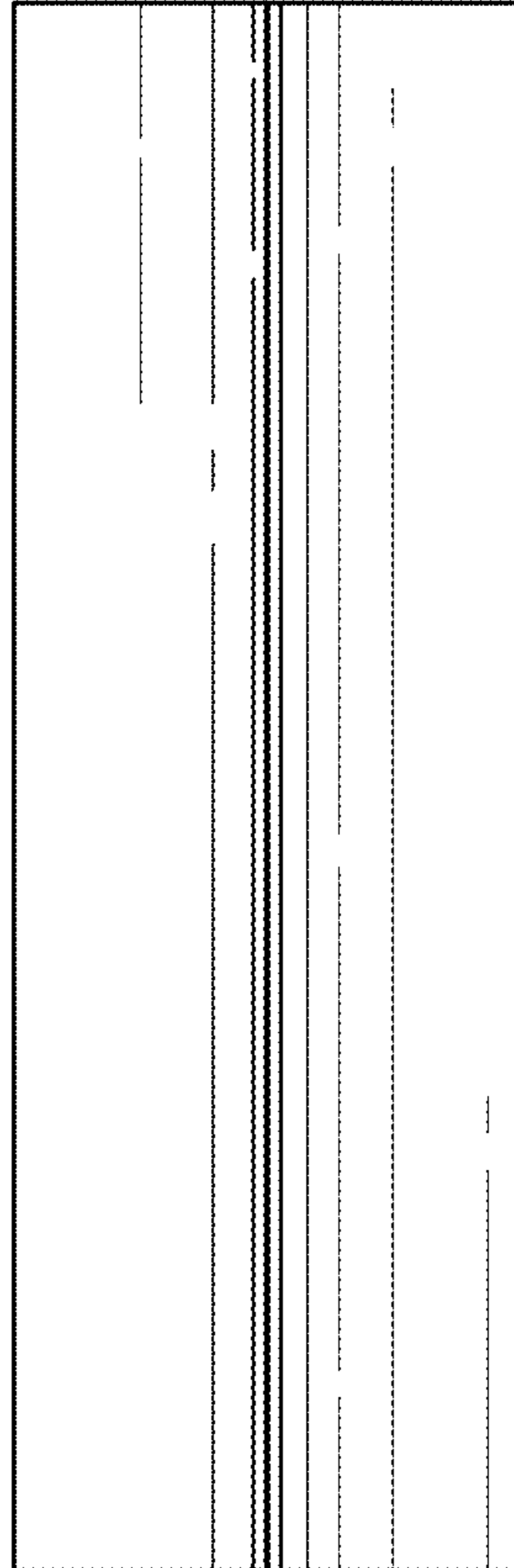


Fig. 4

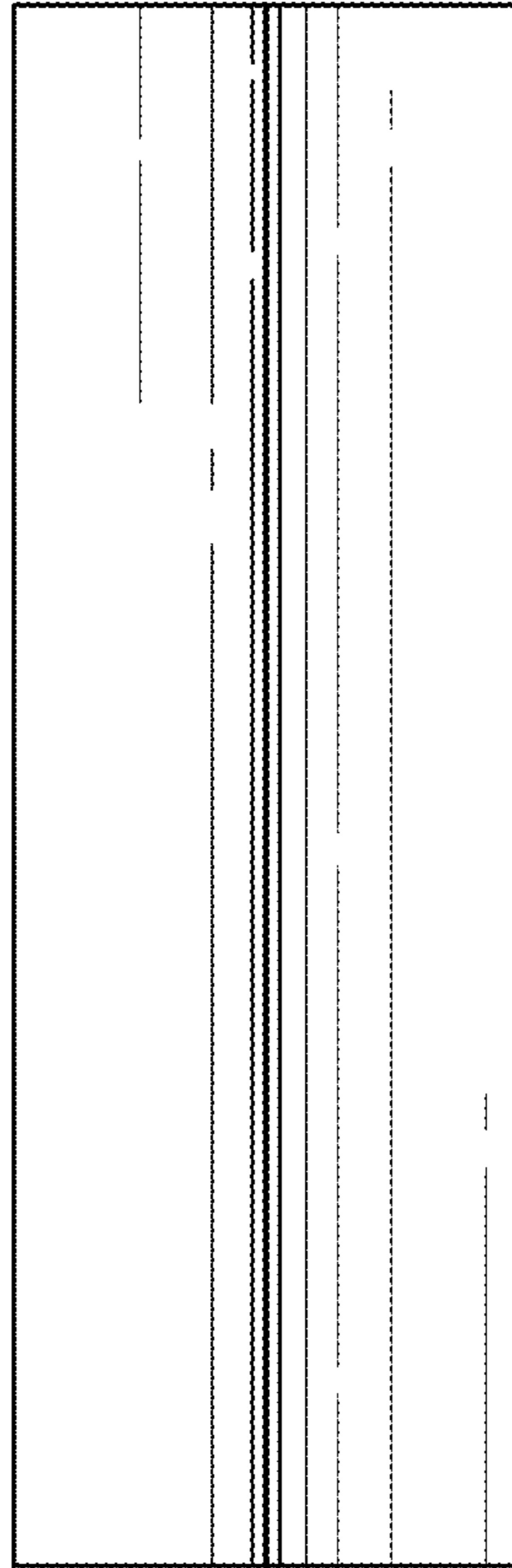


Fig. 5

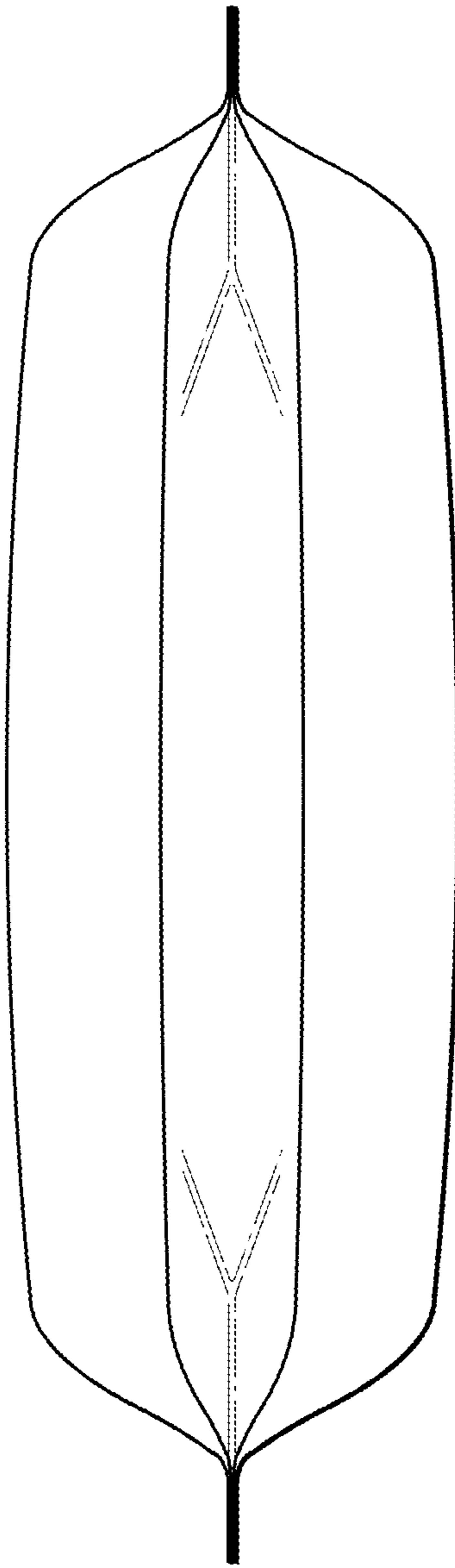


Fig. 6