



US00D905559S

(12) **United States Design Patent**
Ungrady et al.

(10) **Patent No.:** **US D905,559 S**

(45) **Date of Patent:** **** Dec. 22, 2020**

(54) **BOTTLE**

(71) Applicant: **Graham Packaging Company, L.P.**,
Lancaster, PA (US)

(72) Inventors: **Eric B. Ungrady**, Mt. Wolf, PA (US);
Sheldon Yourist, York, PA (US)

(73) Assignee: **Graham Packaging Company, L.P.**,
Lancaster, PA (US)

(**) Term: **15 Years**

(21) Appl. No.: **29/680,592**

(22) Filed: **Feb. 18, 2019**

(51) **LOC (12) Cl.** **09-01**

(52) **U.S. Cl.**
USPC **D9/550; D9/558; D9/575**

(58) **Field of Classification Search**
USPC D9/500, 516, 521, 530, 536, 542, 544,
D9/549, 550, 556, 558, 559, 562, 563,
D9/565, 572, 573, 574, 575, 552, 560,
D9/571, 557; D4/114; D7/590
CPC B65D 1/0223; B65D 23/102; B65D
2501/0081; B65D 2501/0036; B65D
79/005; B65D 1/44; C08L 33/08; A61J
1/03; A61J 1/00

See application file for complete search history.

(56) **References Cited**

U.S. PATENT DOCUMENTS

D25,048 S *	1/1896	Sherwood	D9/544
D249,464 S *	9/1978	Smali	D9/563
D278,683 S *	5/1985	Biesecker	D9/556
D355,369 S *	2/1995	Lund	D9/558
D370,409 S *	6/1996	Lathrop	D9/558
D372,200 S *	7/1996	Lathrop	D9/558
D375,051 S *	10/1996	Lathrop	D9/558
D388,712 S *	1/1998	Lyngdal	D9/563
D495,609 S *	9/2004	Wurster	D9/563
D496,867 S *	10/2004	Kuzma	D9/563

D514,448 S *	2/2006	Kuzma	D9/563
D568,164 S *	5/2008	Dodge	D9/544
D569,733 S *	5/2008	Dodge	D9/544
D585,746 S *	2/2009	Dodge	D9/516
D585,747 S *	2/2009	Dodge	D9/516

(Continued)

FOREIGN PATENT DOCUMENTS

CN	304419283	*	12/2017
RU	00111615	*	10/2018

OTHER PUBLICATIONS

Sneaky Pete“Little Nipper” 100ml Glass Travel Flask, Dec. 27, 2016, Amazon Review Post, URL:https://www.amazon.com/Sneaky-Little-Nipper-100ml-Travel/dp/B00GWRC65W/ref=sr_1_24?dchild=1&keywords=200ml+Liquor+Flask&qid=1597336054&sr=8-24#customerReviews (Year: 2016).*

(Continued)

Primary Examiner — Brett Miller
Assistant Examiner — Rani J Abdallah
(74) *Attorney, Agent, or Firm* — Baker Botts L.L.P.

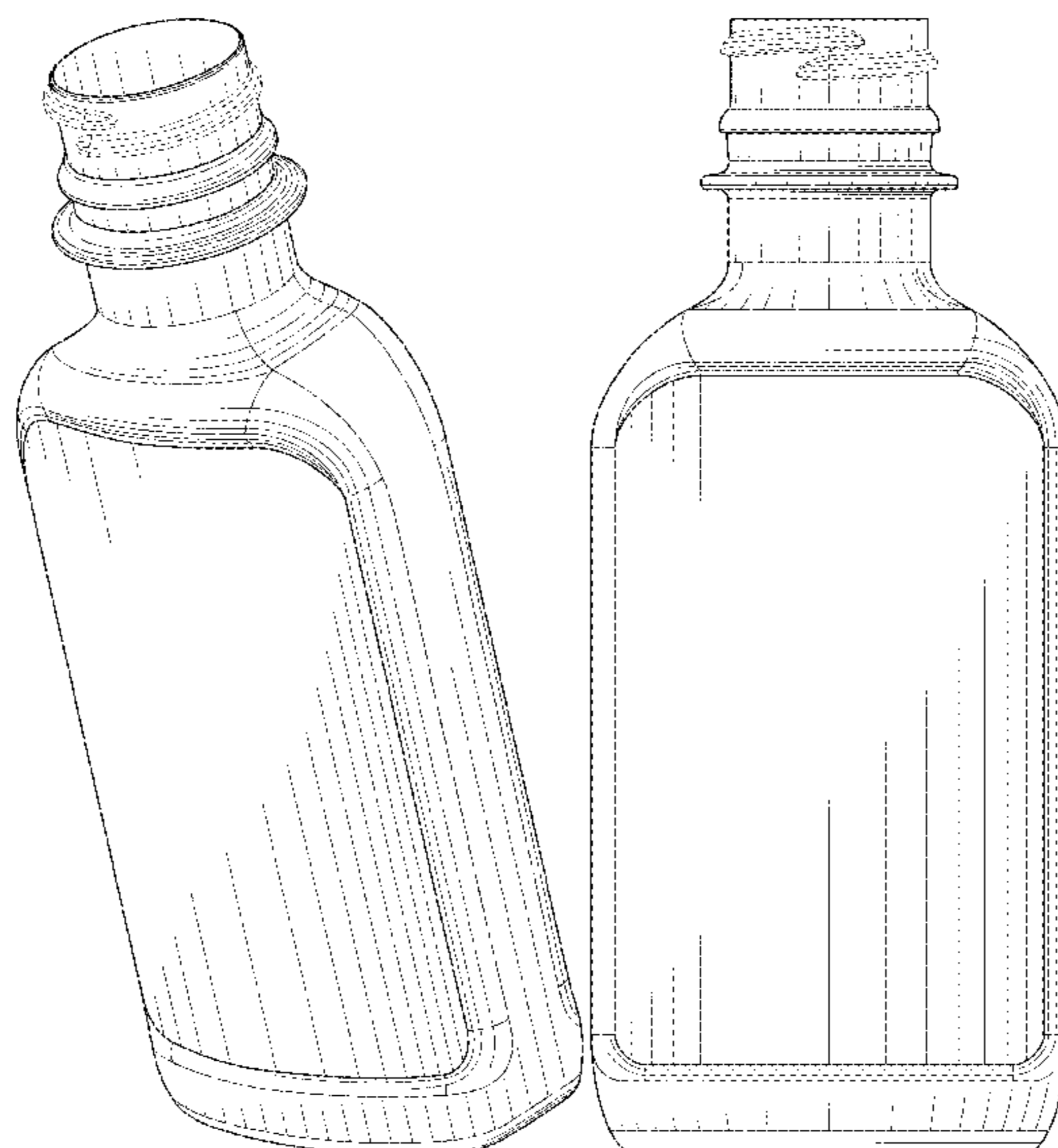
(57) **CLAIM**

The ornamental design for a bottle, as shown and described.

DESCRIPTION

FIG. 1 is a front perspective view of a bottle with a neck finish shown in broken lines.
FIG. 2 is a front view of the bottle of FIG. 1.
FIG. 3 is a rear view of the bottle of FIG. 1.
FIG. 4 is a left view of the bottle of FIG. 1.
FIG. 5 is a right view of the bottle of FIG. 1.
FIG. 6 is a top view of the bottle of FIG. 1; and,
FIG. 7 is a bottom view of the bottle of FIG. 1 with circular rings in the base shown in broken lines.
The broken lines are shown to indicate unclaimed portions of the bottle and form no part of the claimed design.

1 Claim, 5 Drawing Sheets



(56)

References Cited

U.S. PATENT DOCUMENTS

D585,755 S * 2/2009 Dodge D9/563
D635,464 S * 4/2011 Kuzma D9/563
D653,555 S * 2/2012 Kelly D9/563
D729,631 S * 5/2015 Kuzma D9/563
D740,125 S * 10/2015 Kuzma D9/542
D740,677 S * 10/2015 Kuzma D9/542
D758,873 S * 6/2016 Appendini D9/542
D770,902 S * 11/2016 Vaughn-Batiz D9/574
D778,164 S * 2/2017 Vaughn-Batiz D9/574
D811,232 S * 2/2018 Gottlieb D9/563
D817,176 S * 5/2018 Pel D9/542
D820,096 S * 6/2018 Palm D9/542
D820,097 S * 6/2018 Palm D9/542
D825,339 S * 8/2018 Whisler D9/516
D825,340 S * 8/2018 Halloran D9/516
D826,058 S * 8/2018 Pel D9/542
D839,101 S * 1/2019 Jack D9/563
D863,969 S * 10/2019 Sterling D9/560
D864,723 S * 10/2019 Banerjee D9/542
D873,665 S * 1/2020 Yen D9/550
D883,799 S * 5/2020 Takahashi D9/574
2018/0229881 A1 * 8/2018 Jarman B65D 1/0207

OTHER PUBLICATIONS

LeeMark 12 100ml Plastic Mini Empty Alcohol Party Favor Liquor Bottle Shots, Mar. 2, 2018, Amazon Review Post, URL:https://www.amazon.com/LeeMark-Plastic-Alcohol-Liquor-Bottle/dp/B01BLRVR0M/ref=sr_1_23?dchild=1&keywords=100ml+Liquor+plastic+flask&qid=1597336308&sr=8-23#customerReviews (Year: 2018).*

* cited by examiner

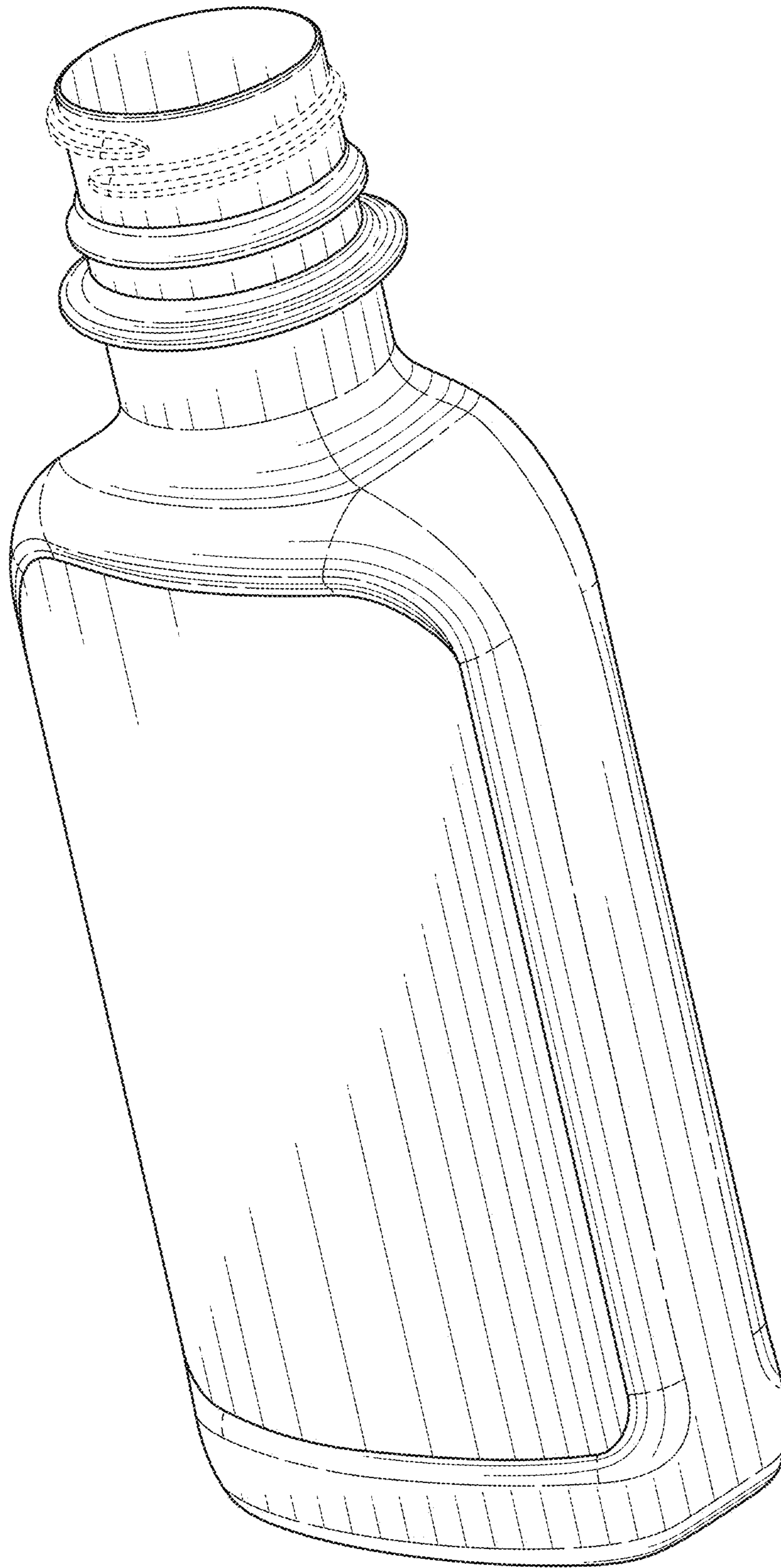


FIG. 1

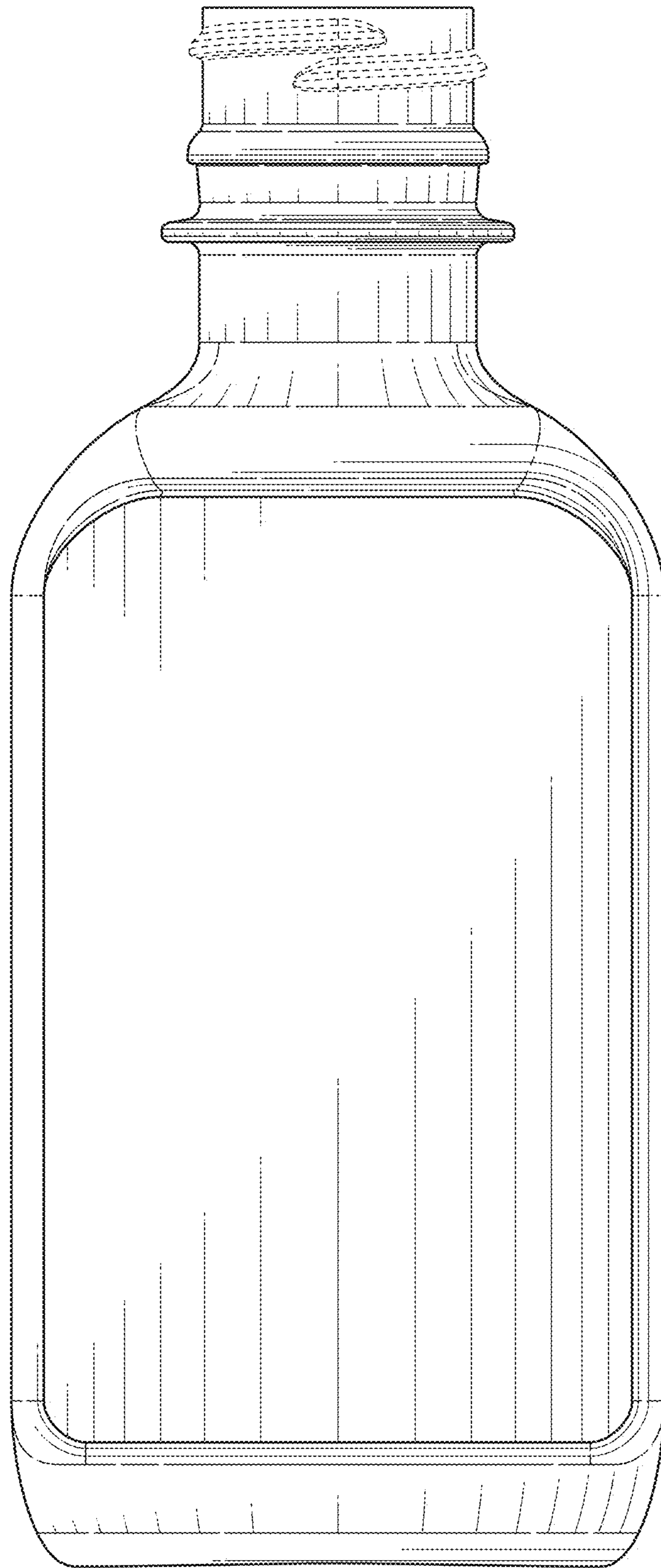


FIG. 2

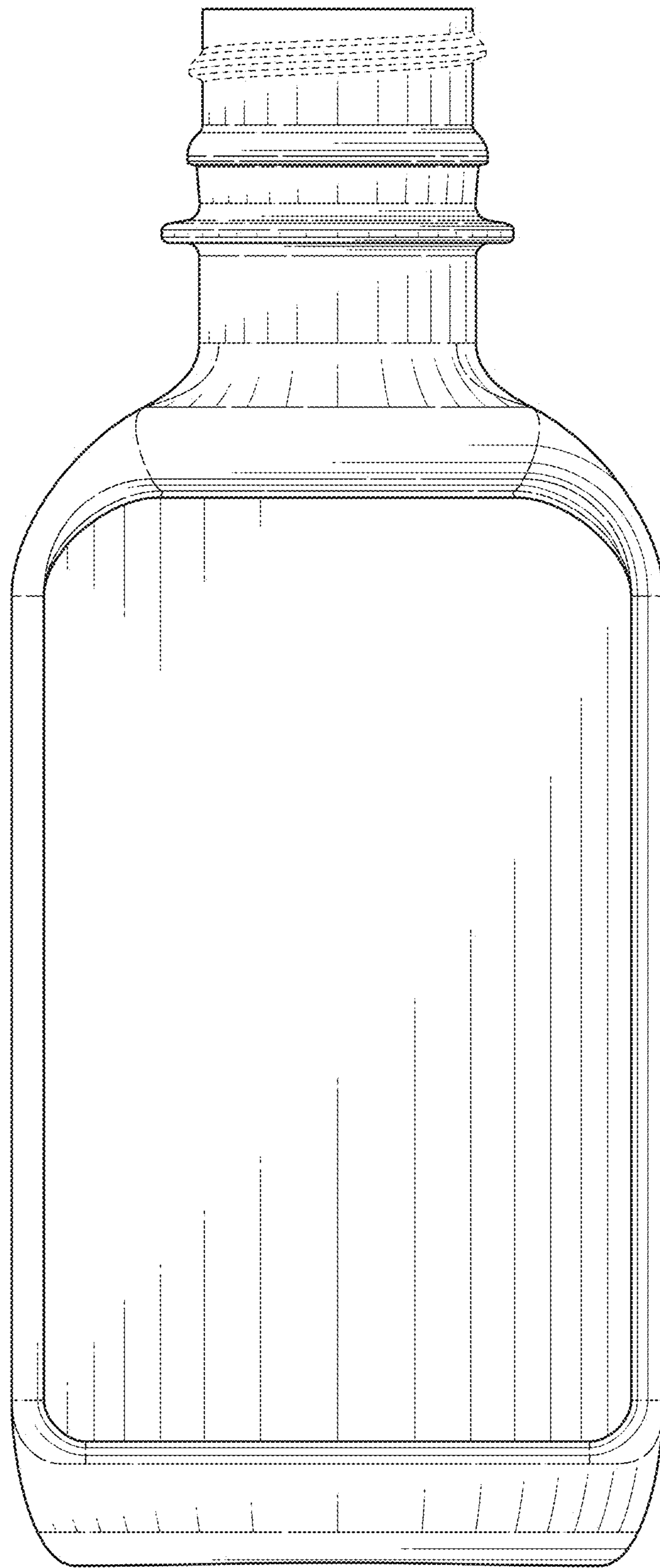


FIG. 3

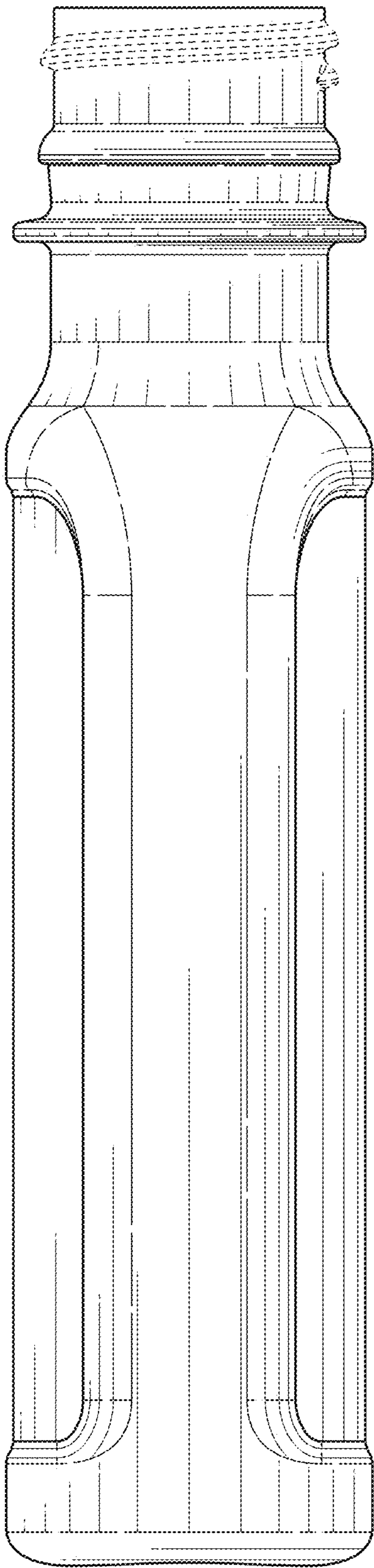


FIG. 4

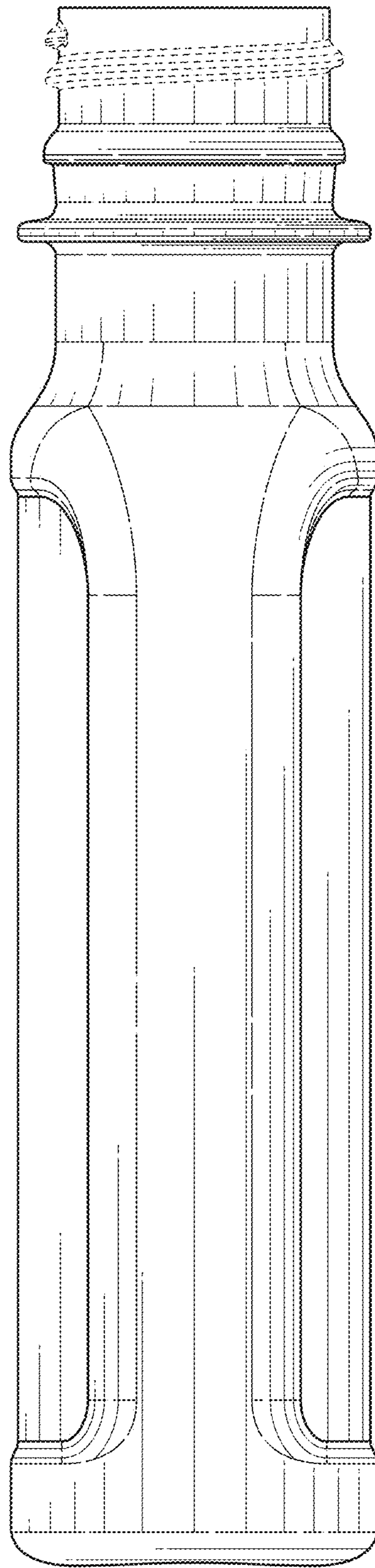


FIG. 5

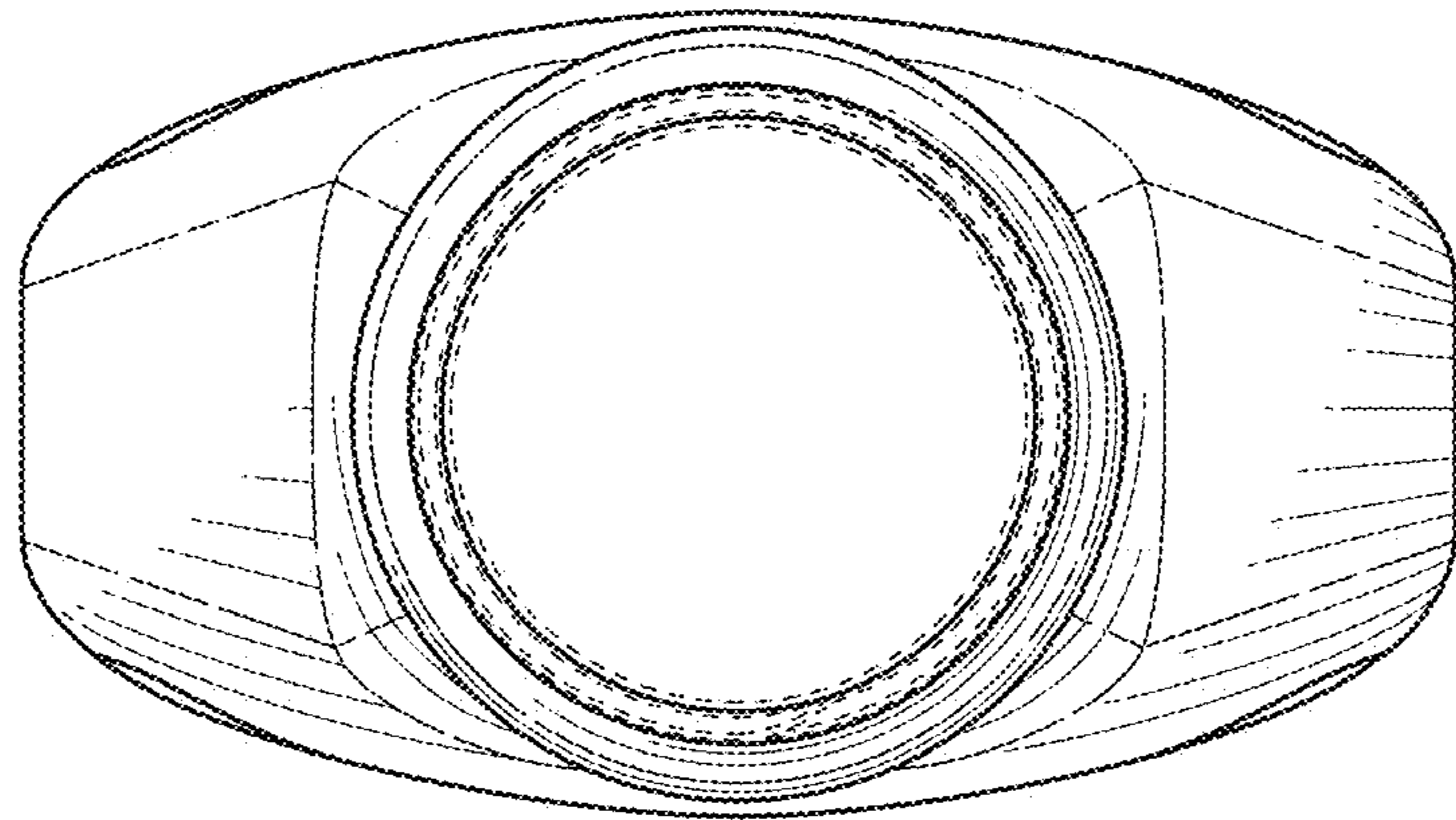


FIG. 6

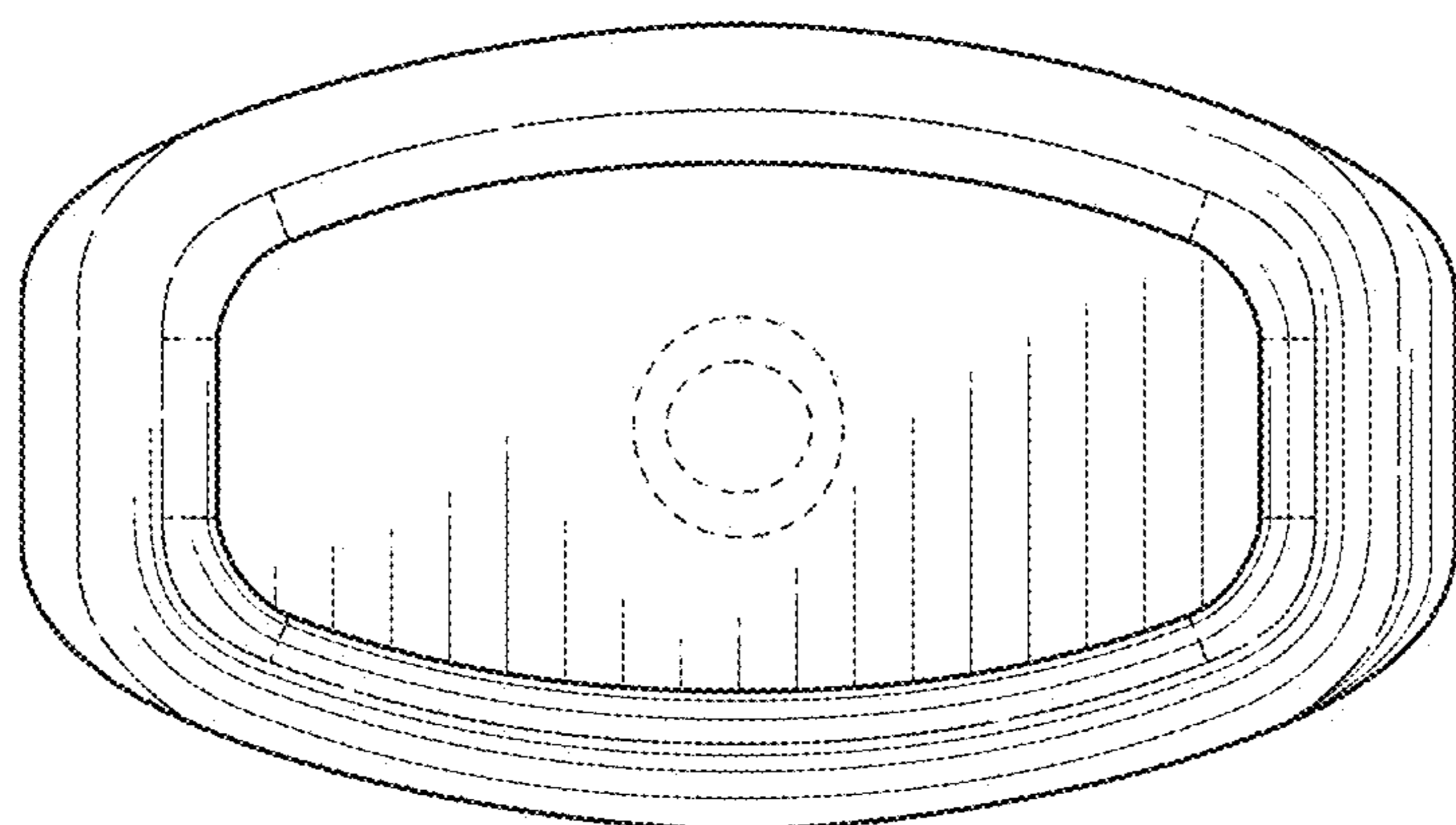


FIG. 7