



US00D905558S

(12) **United States Design Patent** (10) **Patent No.:** **US D905,558 S**
Jüngst (45) **Date of Patent:** **** Dec. 22, 2020**

(54) **BOTTLE**
(71) Applicant: **Ten-ace GmbH**, Munich (DE)
(72) Inventor: **Magdalena Jüngst**, Munich (DE)
(73) Assignee: **TEN-ACE GMBH**, Munich (DE)
(**) Term: **15 Years**
(21) Appl. No.: **35/506,540**
(22) Filed: **Jan. 10, 2019**
(80) **Hague Agreement Data**
Int. Filing Date: **Jan. 10, 2019**
Int. Reg. No.: **DM/200432**
Int. Reg. Date: **Jan. 10, 2019**
Int. Reg. Pub. Date: **Apr. 5, 2019**

(51) **LOC (12) Cl.** **09-01**
(52) **U.S. Cl.**
USPC **D9/529**

(58) **Field of Classification Search**
USPC D9/414, 415, 420, 426, 428, 429, 434,
D9/435-450, 503, 505, 516, 520, 529,
D9/544-545, 549, 558, 715, 719, 722;
D7/510, 511, 605-608
CPC B65D 47/06; B65D 47/08; B65D
2543/00046; B65D 2543/00092; B65D
2543/00296; B65D 5/46; B65D 2251/00;
B65D 1/00; B65D 1/02; B65D 1/0223;
B65D 1/10; B65D 1/40; B65D 2501/00;
B65D 2501/0009

See application file for complete search history.

(56) **References Cited**
U.S. PATENT DOCUMENTS

D469,664 S * 2/2003 Marks D7/608
D668,150 S * 10/2012 Crapser D9/435
D724,894 S * 3/2015 Brosius D7/510

D752,391 S * 3/2016 Hatherell D7/510
D799,967 S * 10/2017 Wade D9/500
D803,064 S * 11/2017 Marina D9/537
D812,428 S * 3/2018 Wu D7/510
D813,679 S * 3/2018 Bos D9/526
D814,930 S * 4/2018 Tremayne D9/435
D820,677 S * 6/2018 D'Anglade D9/435
D821,137 S * 6/2018 Boroski D7/392.1
D821,197 S * 6/2018 Cook D9/435
D829,101 S * 9/2018 Spivey D9/503
D831,482 S * 10/2018 Meyers D9/447
D833,874 S * 11/2018 Harrison D9/500
D838,167 S * 1/2019 Lopynski D9/436
D838,589 S * 1/2019 Bruining D9/435
D851,446 S * 6/2019 Lindsay D7/392.1
10,464,712 B2 * 11/2019 Campbell A47G 19/2205
D869,909 S * 12/2019 Campbell D7/608
D871,836 S * 1/2020 Campbell D7/396.2
2013/0256310 A1 * 10/2013 Hojo B65D 1/0292
220/361

(Continued)

Primary Examiner — Bao-Yen T Nguyen

(74) *Attorney, Agent, or Firm* — McAndrews, Held & Malloy, Ltd.

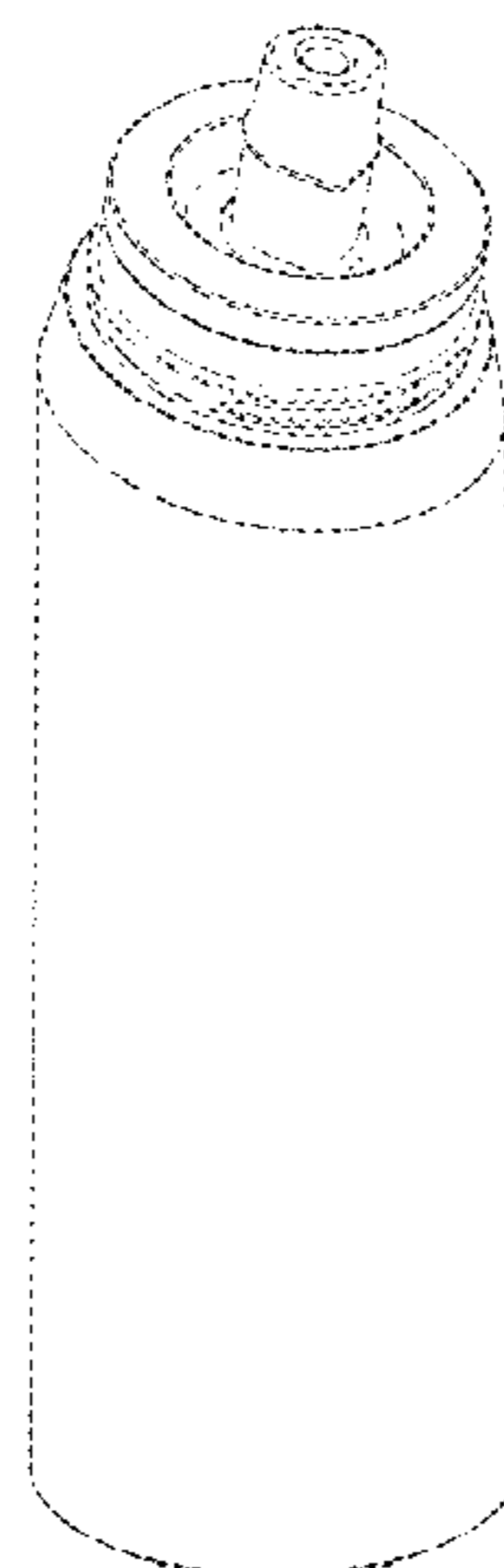
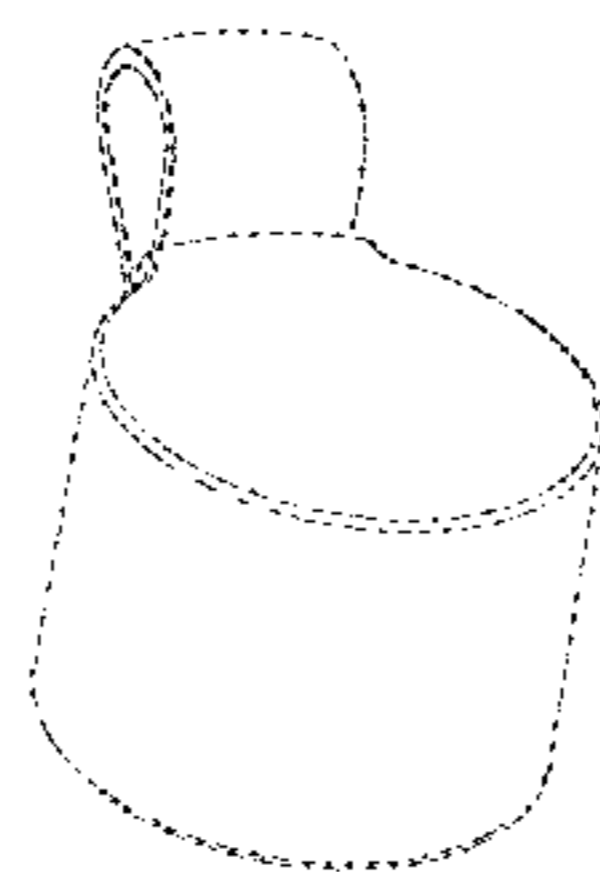
(57) **CLAIM**

The ornamental design for a bottle, as shown and described.

DESCRIPTION

6.1 is a front perspective view of a bottle showing my new design in an assembled configuration with the lid on;
6.2 is a side view thereof;
6.3 is a front view thereof;
6.4 is a rear view thereof;
7.1 is a side view thereof showing my new design in a disassembled configuration with the lid off;
7.2 is a front view thereof;
7.3 is a rear view thereof; and
7.4 is a front perspective view thereof.
The broken lines in the figures illustrate portions of the bottle that form no part of the claimed design.

1 Claim, 8 Drawing Sheets



(56)

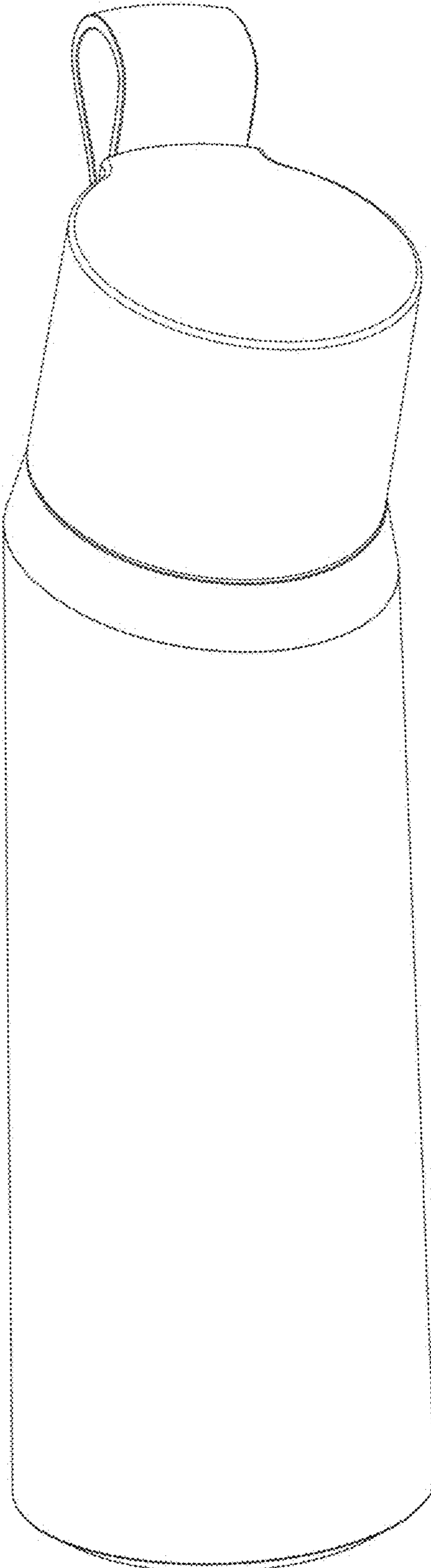
References Cited

U.S. PATENT DOCUMENTS

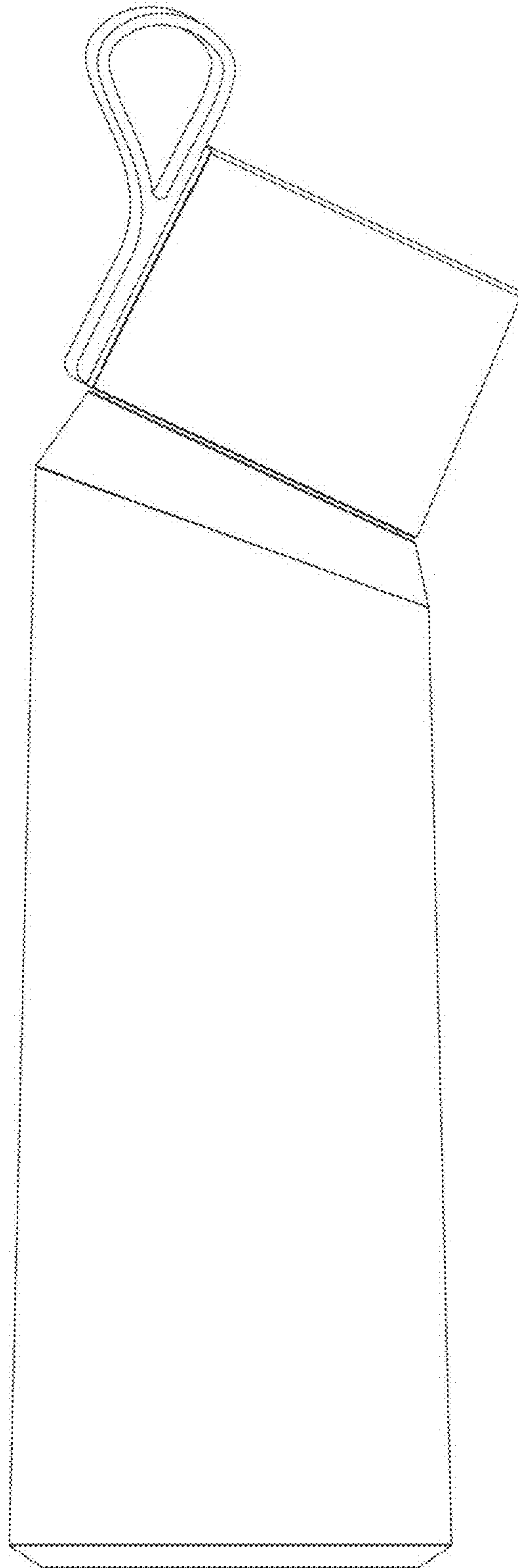
2016/0376061 A1* 12/2016 Shirley B65D 51/242
215/228
2017/0029156 A1* 2/2017 Eguchi B65D 41/0442

* cited by examiner

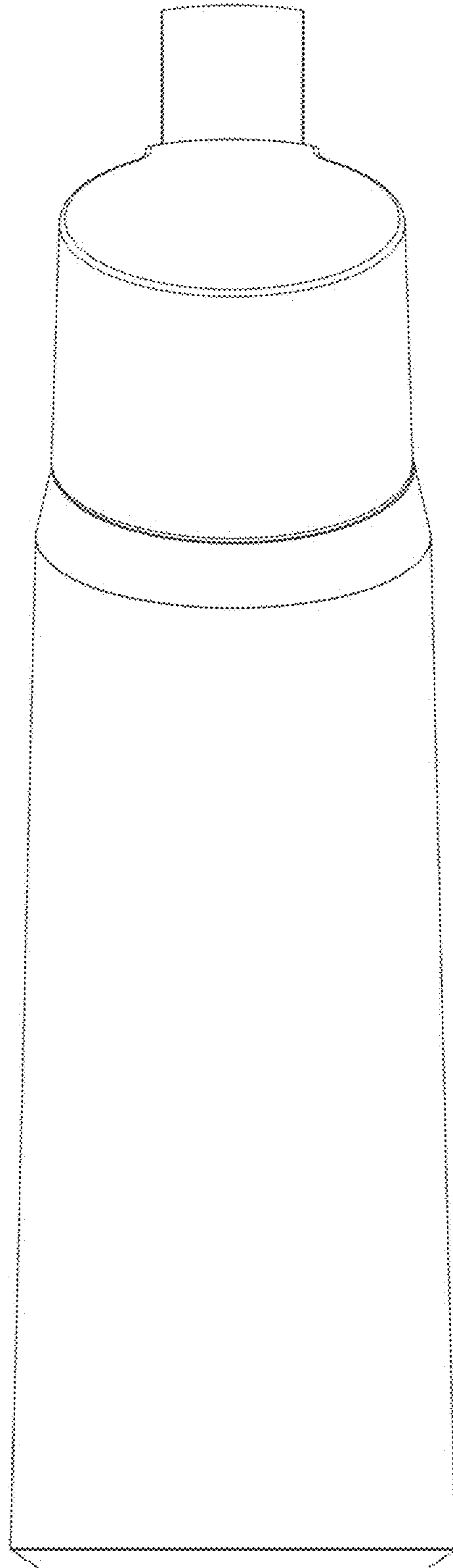
6.1



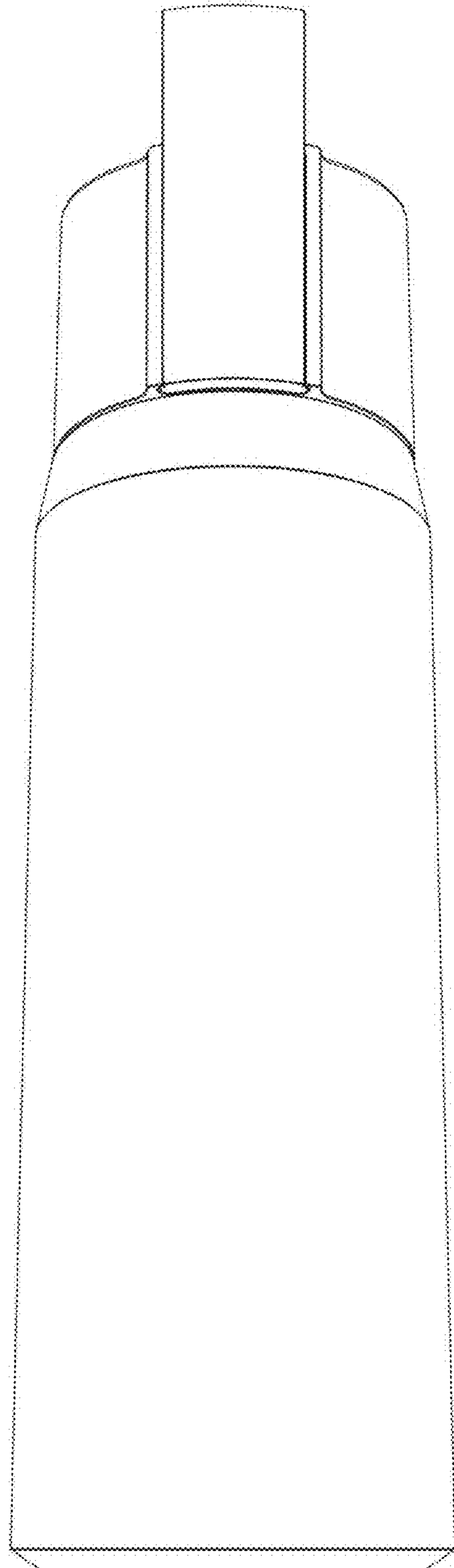
6.2



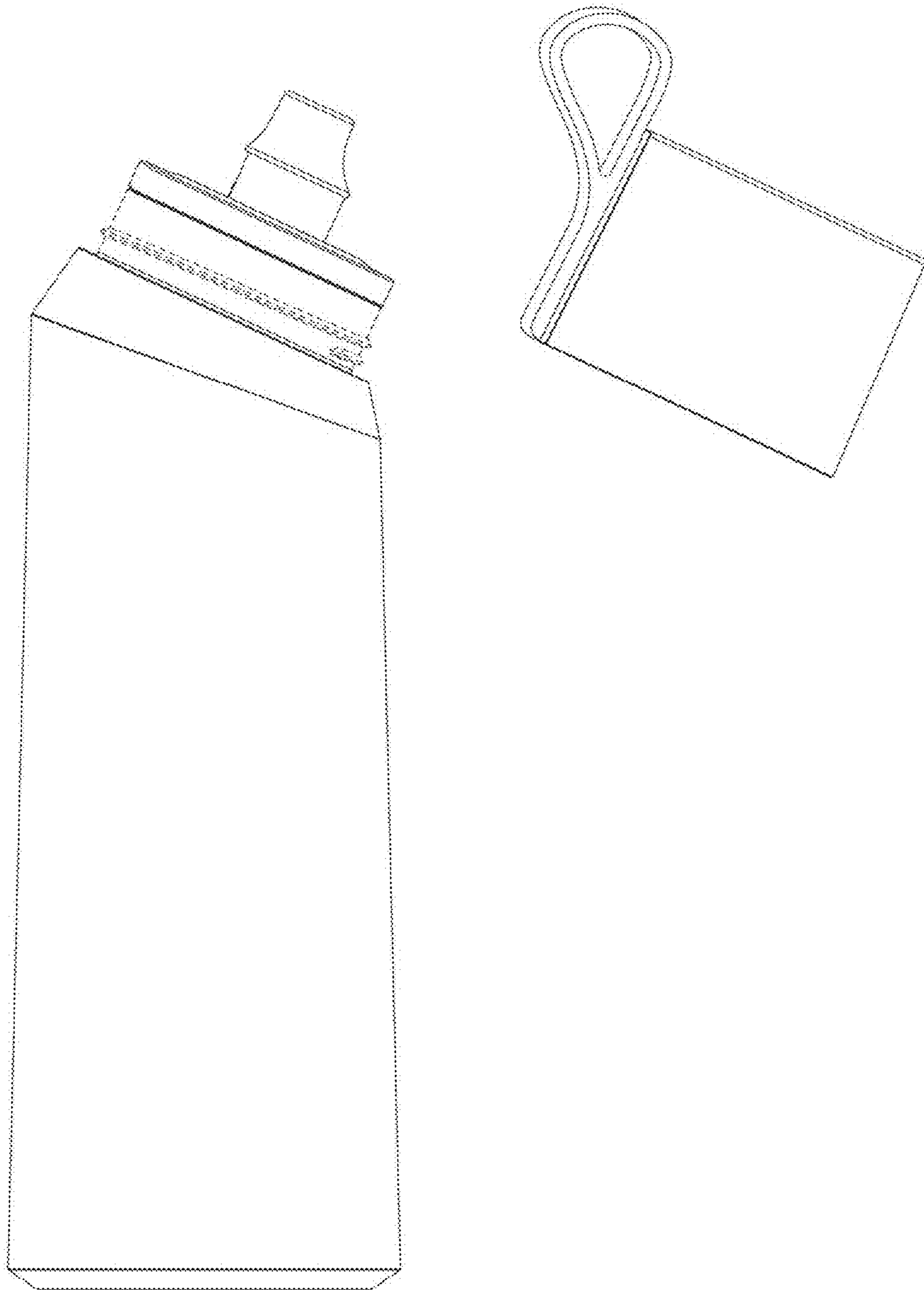
6.3



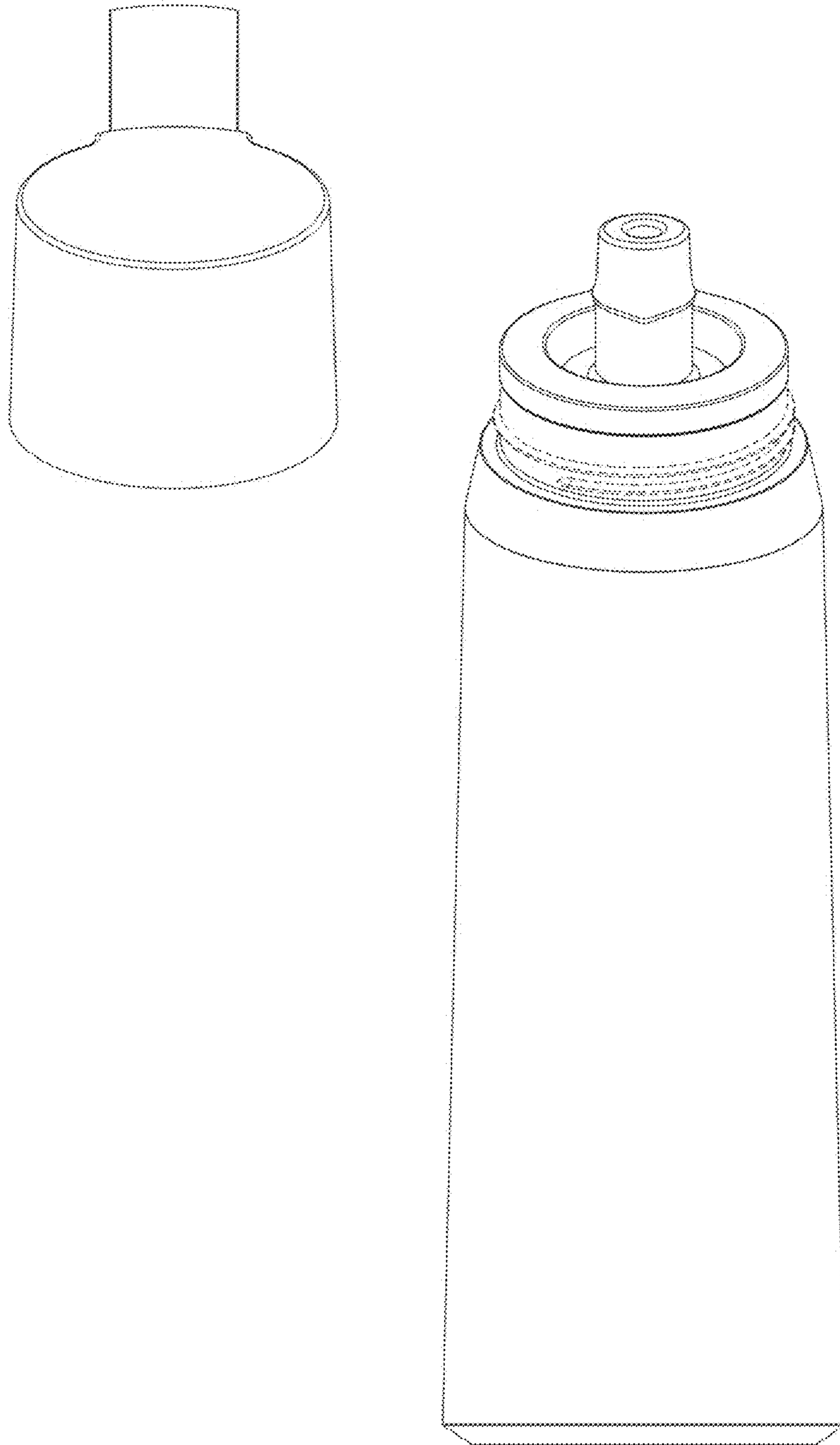
6.4



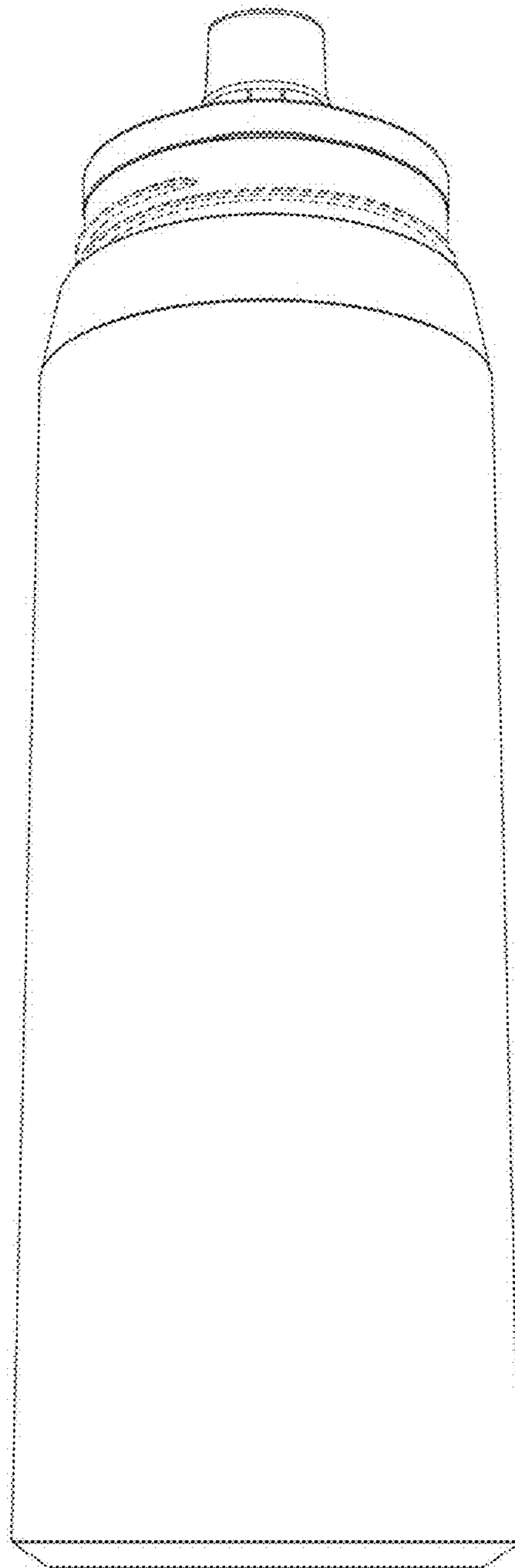
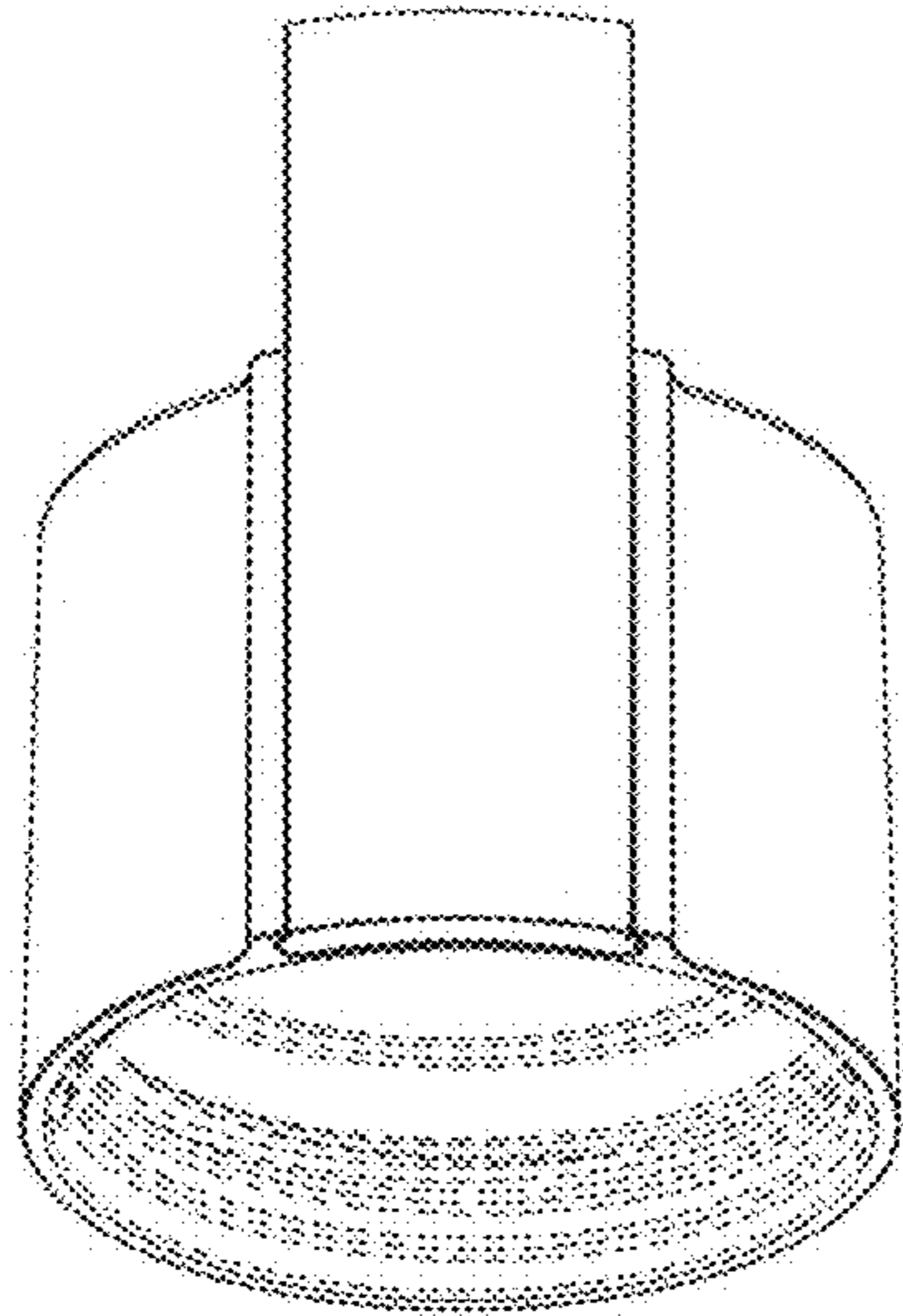
7.1



7.2



7.3



7.4

