



US00D905554S

(12) **United States Design Patent**  
**Zavarella**

(10) **Patent No.:** **US D905,554 S**

(45) **Date of Patent:** **\*\* Dec. 22, 2020**

(54) **DISPENSER CAP**

(71) Applicant: **APTAR ITALIA S.P.A.**, San Giovanni Teatino (IT)

(72) Inventor: **Marco Zavarella**, Sulmona (IT)

(73) Assignee: **APTAR ITALIA S.P.A.**, San Giovanni Teatino (IT)

(\*\*) Term: **15 Years**

(21) Appl. No.: **35/503,847**

(22) Filed: **Aug. 23, 2017**

(80) **Hague Agreement Data**

Int. Filing Date: **Aug. 23, 2017**

Int. Reg. No.: **DM/097954**

Int. Reg. Date: **Aug. 23, 2017**

Int. Reg. Pub. Date: **Oct. 20, 2017**

(51) **LOC (12) Cl.** ..... **09-07**

(52) **U.S. Cl.**  
USPC ..... **D9/448**

(58) **Field of Classification Search**  
USPC ..... D9/414, 415, 420, 426, 428, 429, 434,  
D9/435, 443-450, 452-457, 499, 682,  
D9/685, 686; D7/387, 392, 392.1, 393,  
D7/395

CPC ..... B65D 47/06; B65D 47/08; B65D  
2543/00046; B65D 2543/00092; B65D  
2543/00296; B65D 5/46; B65D 2251/00  
See application file for complete search history.

(56) **References Cited**

**U.S. PATENT DOCUMENTS**

D389,059 S \* 1/1998 Mascitelli ..... D9/448  
D438,113 S \* 2/2001 Wadsworth ..... D9/448

D588,006 S \* 3/2009 Boes ..... D9/448  
D600,553 S \* 9/2009 Dubitsky ..... D9/448  
D600,554 S \* 9/2009 Toh ..... D9/448  
D604,610 S \* 11/2009 Ames ..... D9/434  
D636,262 S \* 4/2011 Michitsuji ..... D9/448  
D666,911 S \* 9/2012 Modha ..... D9/451  
D678,064 S \* 3/2013 Arminak ..... D9/448  
D709,762 S \* 7/2014 Kuo ..... D9/448  
D743,791 S \* 11/2015 Andersson ..... D9/448  
D767,392 S \* 9/2016 Landrum ..... D9/448  
D792,218 S \* 7/2017 Chan ..... D9/448  
D794,452 S \* 8/2017 Chan ..... D9/448  
D795,067 S \* 8/2017 Bloc ..... D9/449  
D799,959 S \* 10/2017 Nesbitt ..... D9/448  
D800,556 S \* 10/2017 McGreevy ..... D9/448  
D816,498 S \* 5/2018 Fily ..... D9/448  
D822,486 S \* 7/2018 Clarke ..... D9/448  
D823,023 S \* 7/2018 Cannamela ..... D6/542  
D844,448 S \* 4/2019 Miller ..... D9/682

\* cited by examiner

*Primary Examiner* — Bao-Yen T Nguyen

(74) *Attorney, Agent, or Firm* — Nixon & Vanderhye

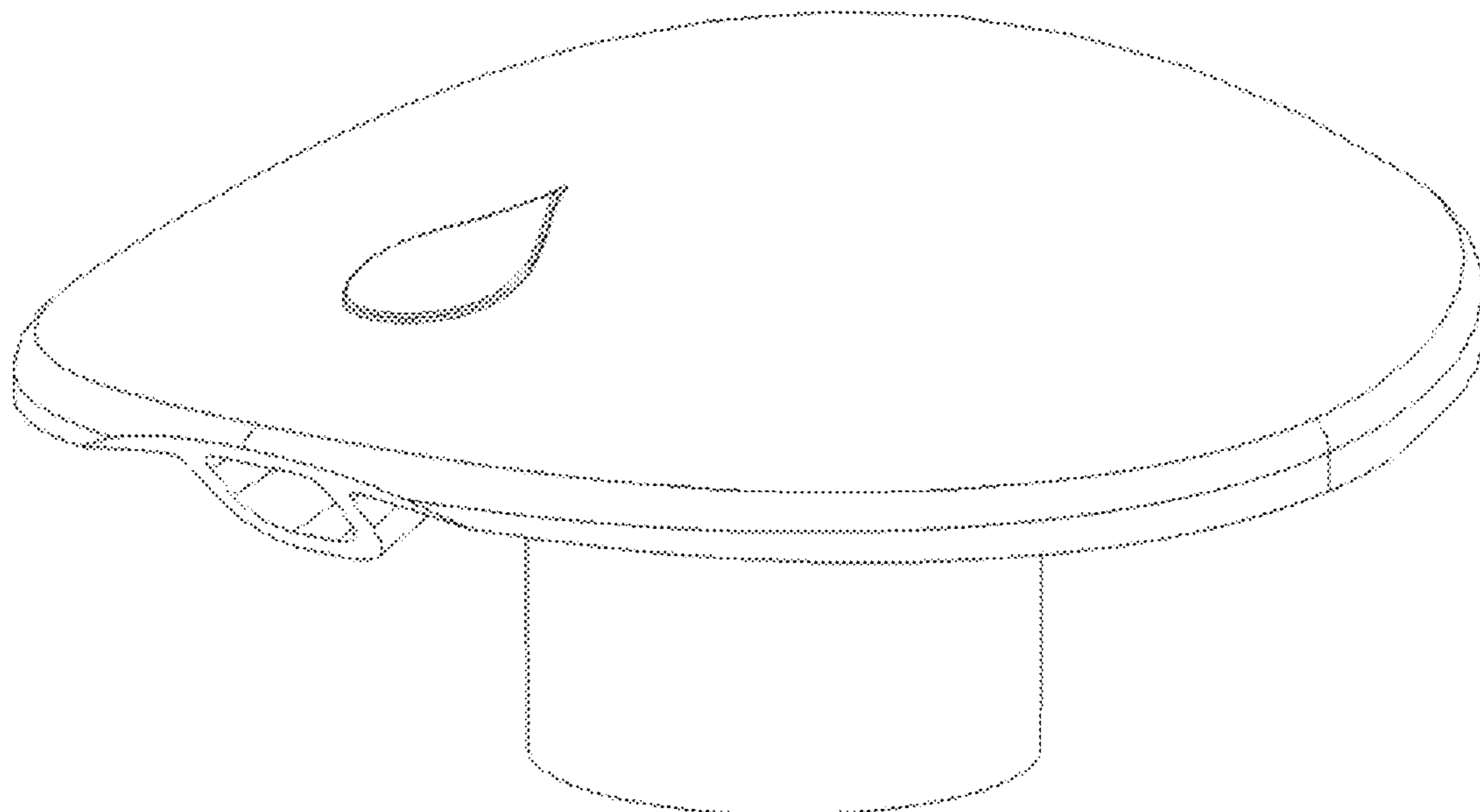
(57) **CLAIM**

The ornamental design for a dispenser cap, as shown and described.

**DESCRIPTION**

FIG. 2.1 is a front, right side, and top perspective view of a dispenser cap showing the new design; FIG. 2.2 is a right side elevation view thereof; FIG. 2.3 is a left side elevation view thereof; FIG. 2.4 is a front elevation view thereof; FIG. 2.5 is a rear elevation view thereof; FIG. 2.6 is a top plan view thereof; and FIG. 2.7 is a bottom plan view thereof. The broken lines shown in FIG. 2.7 illustrate portions of the dispenser cap that form no part of the claimed design.

**1 Claim, 7 Drawing Sheets**



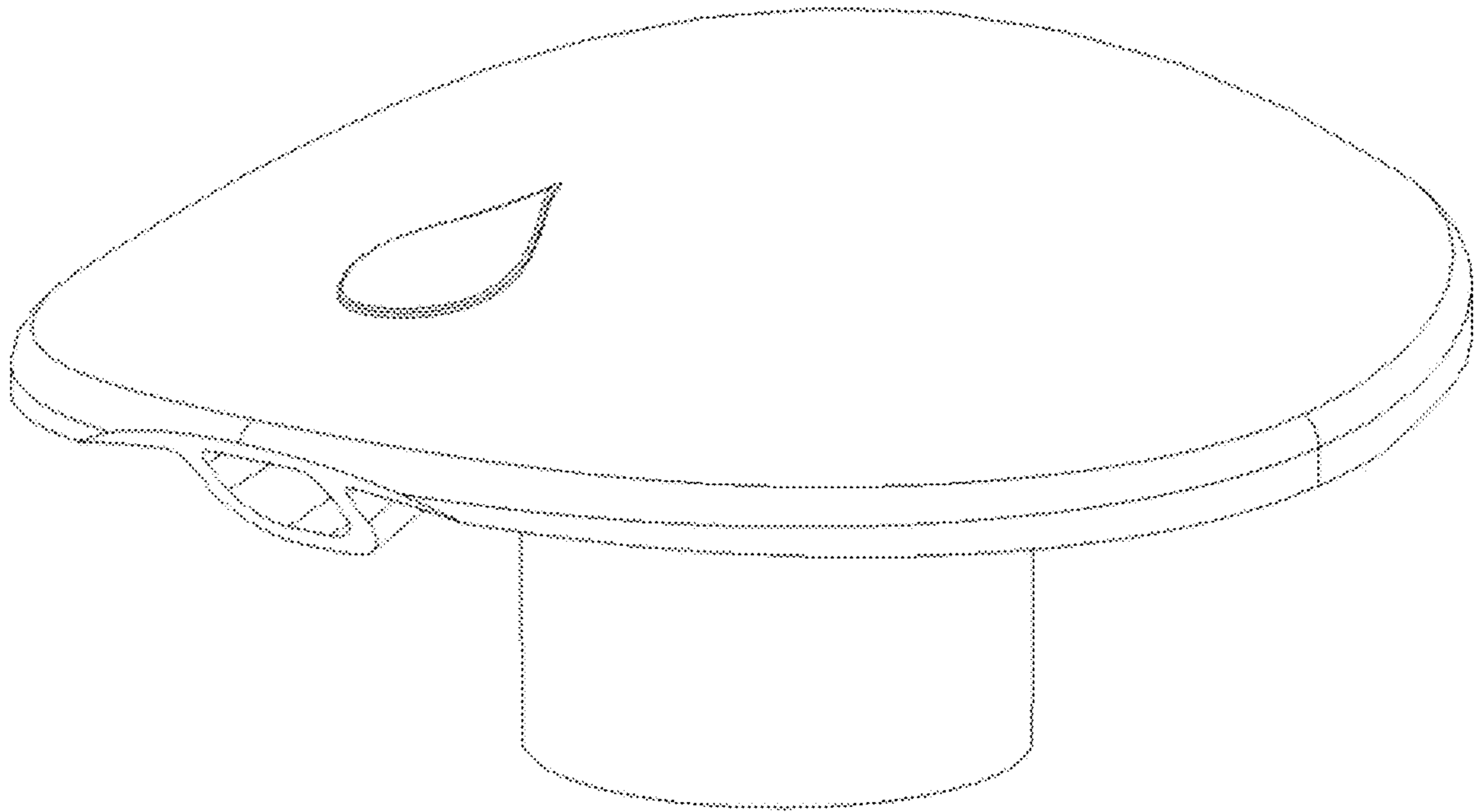


FIG. 2.1

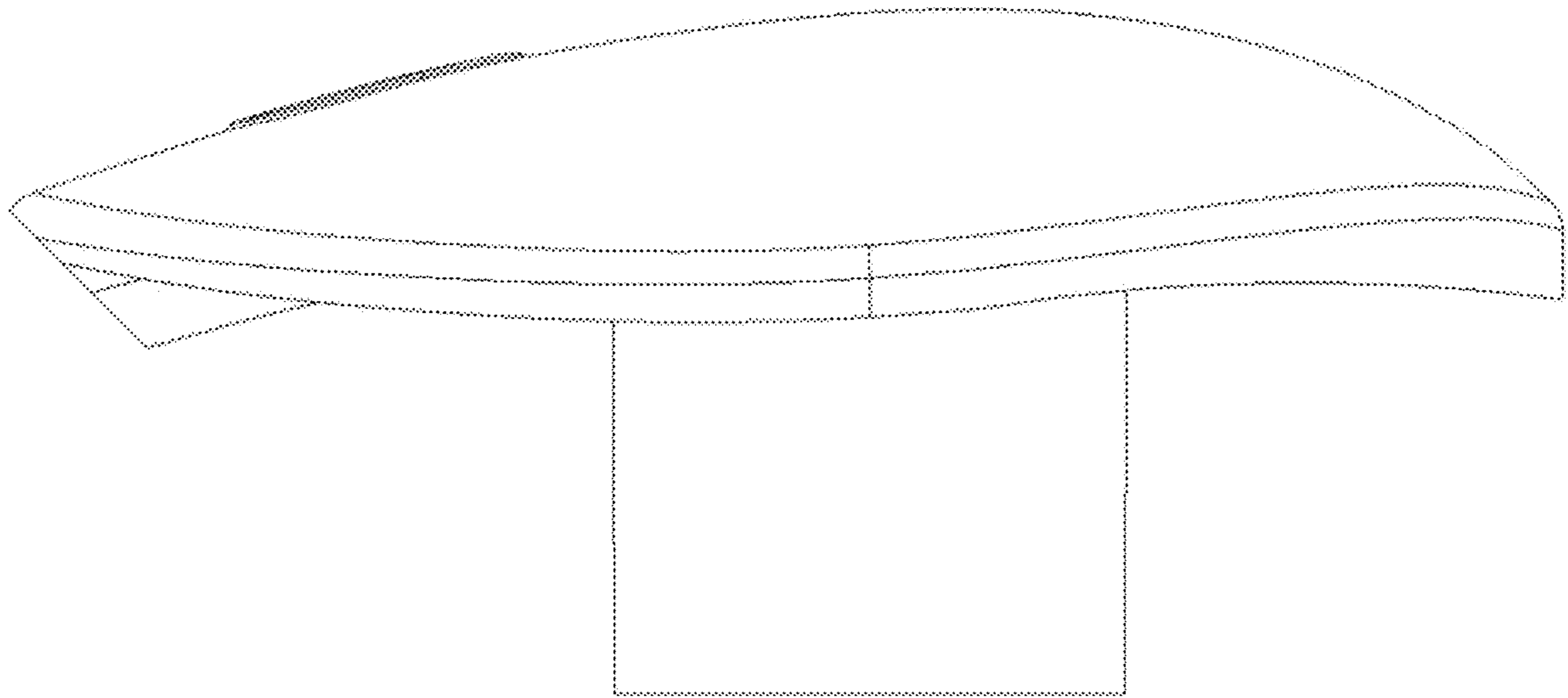


FIG. 2.2

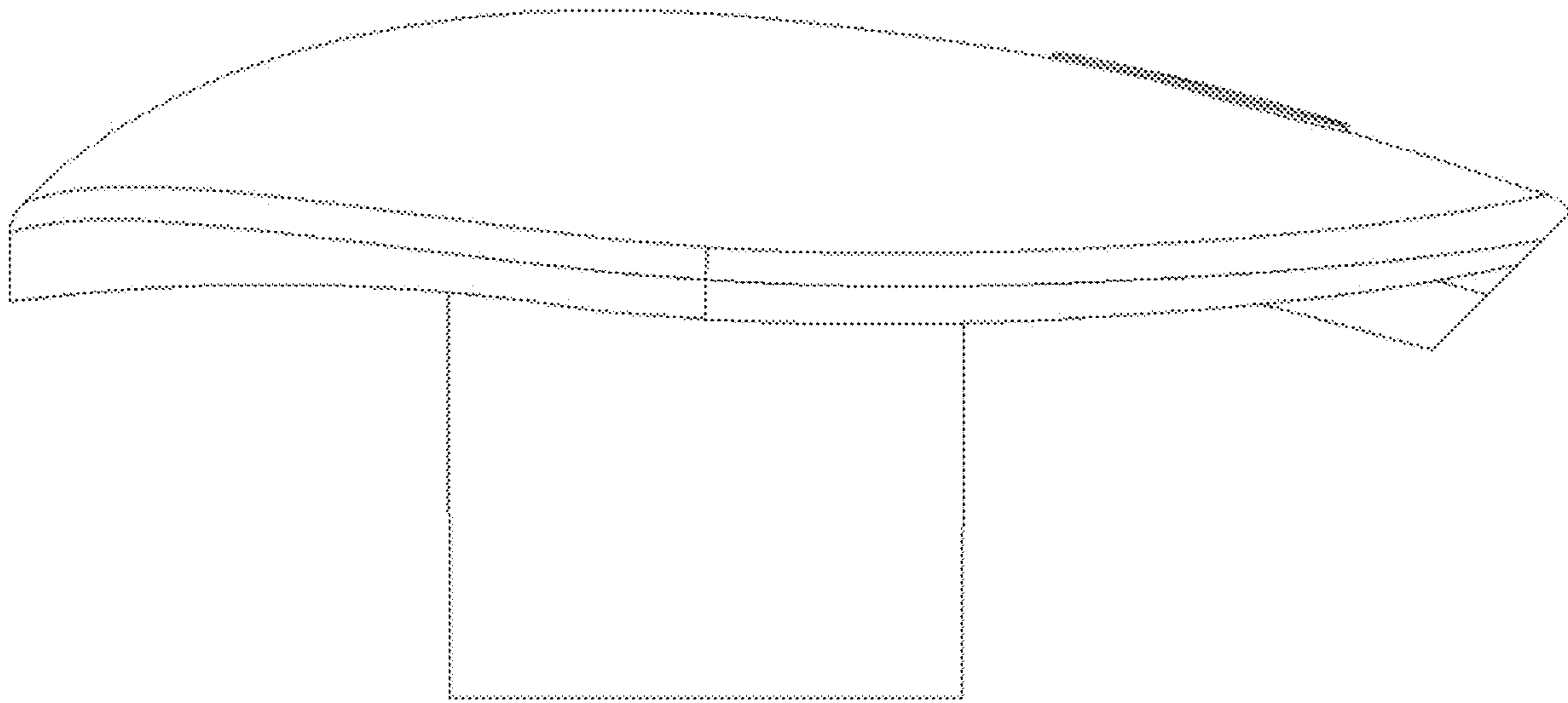


FIG. 2.3

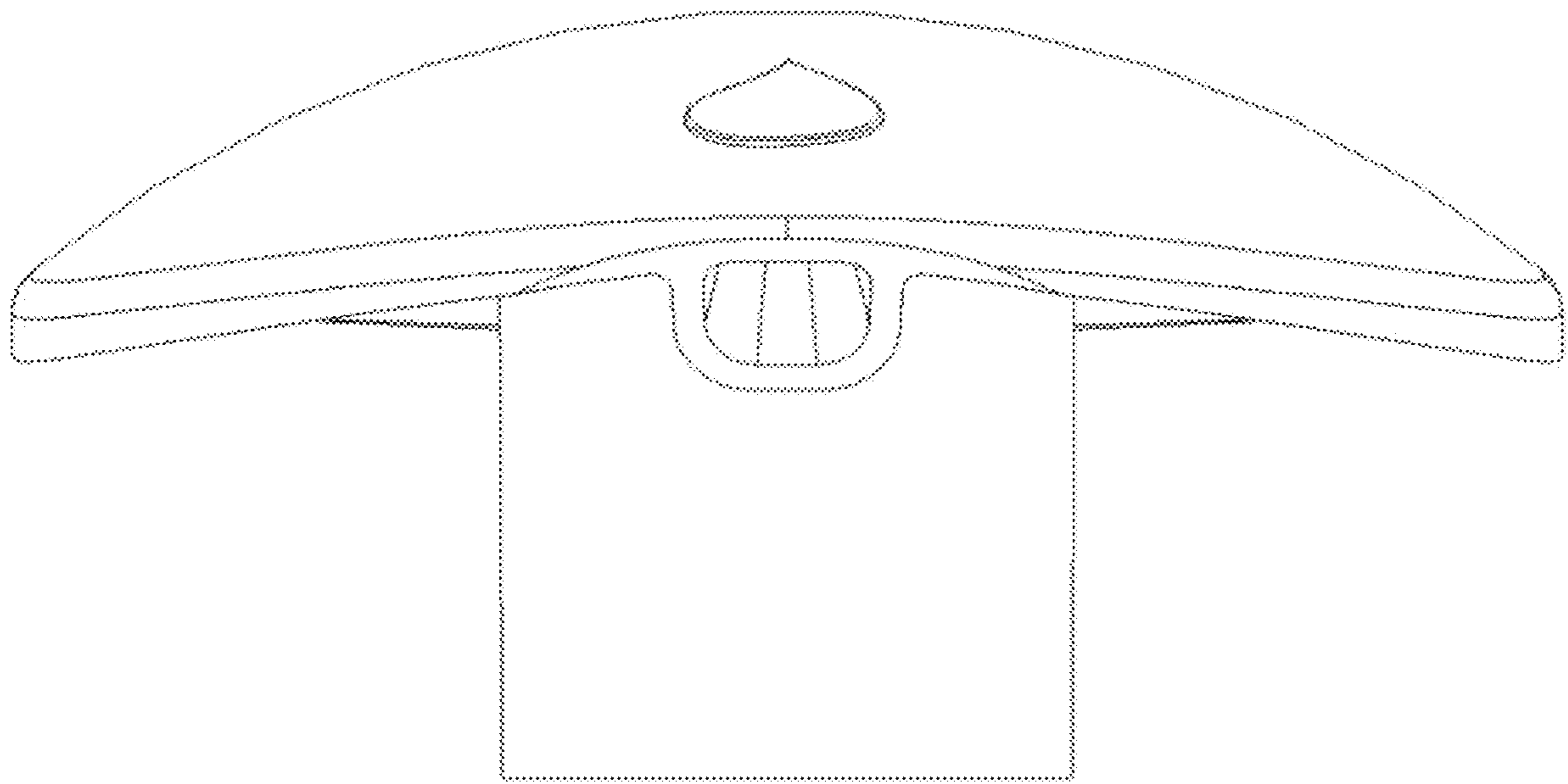


FIG. 2.4

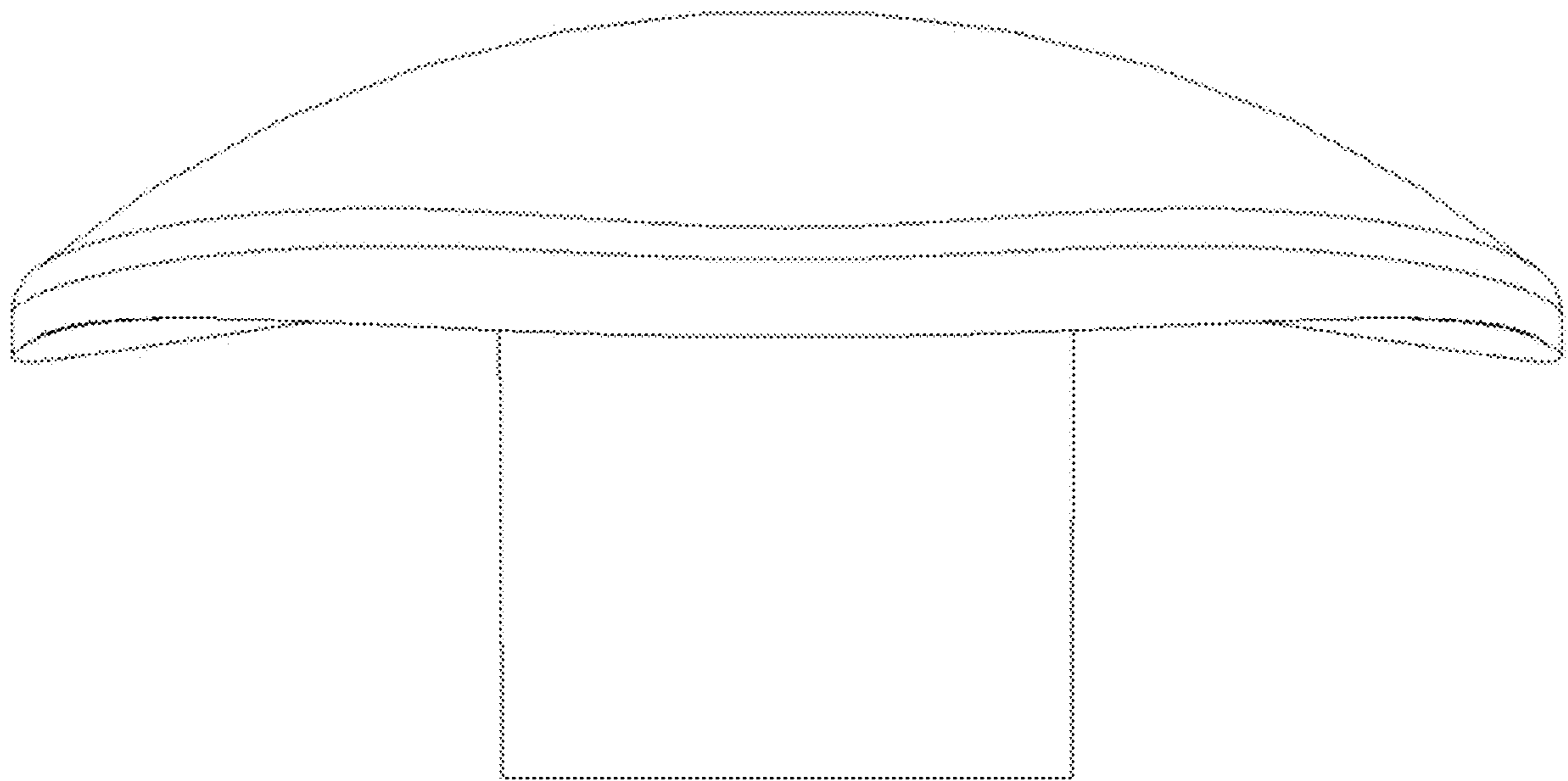


FIG. 2.5

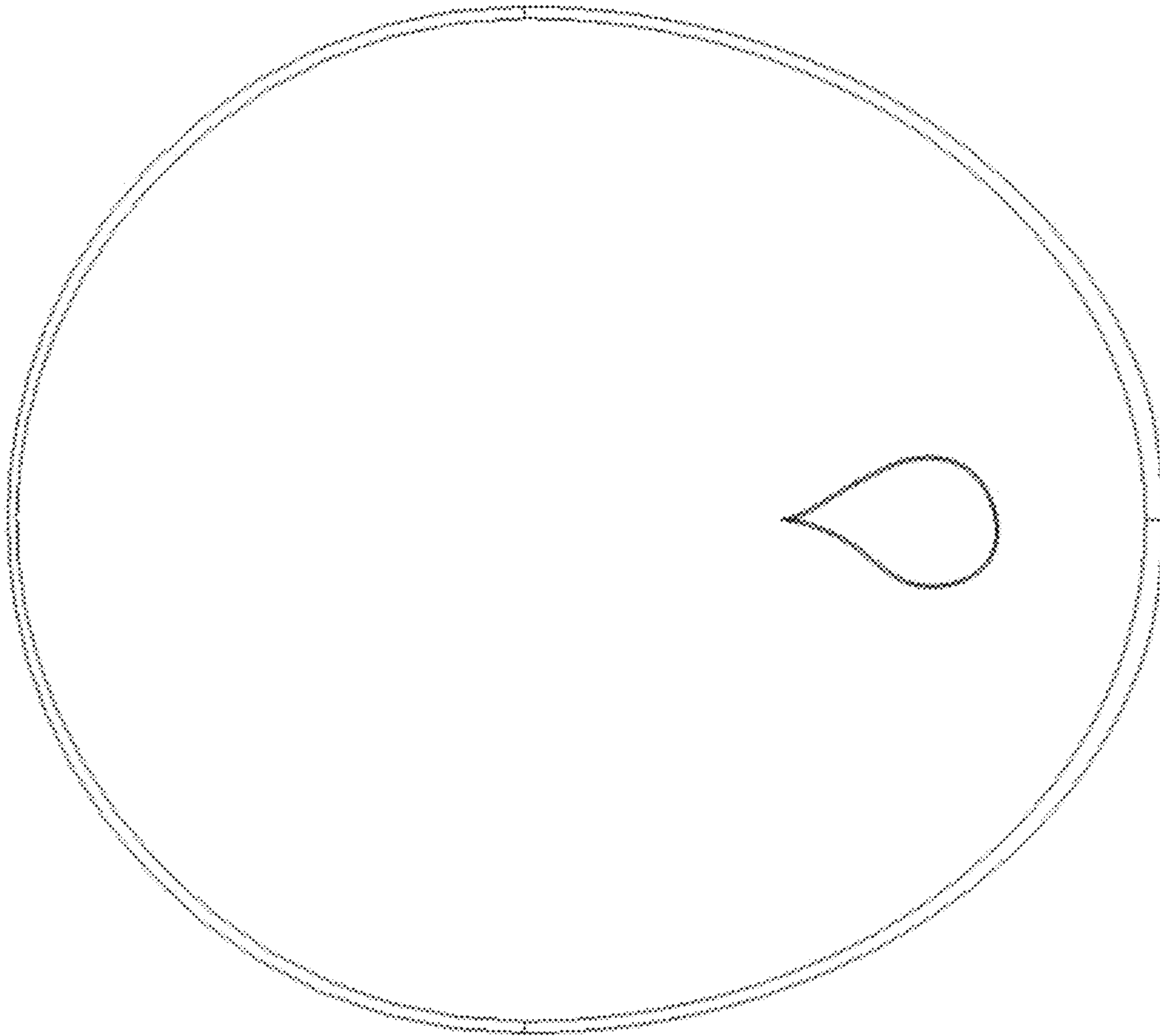


FIG. 2.6



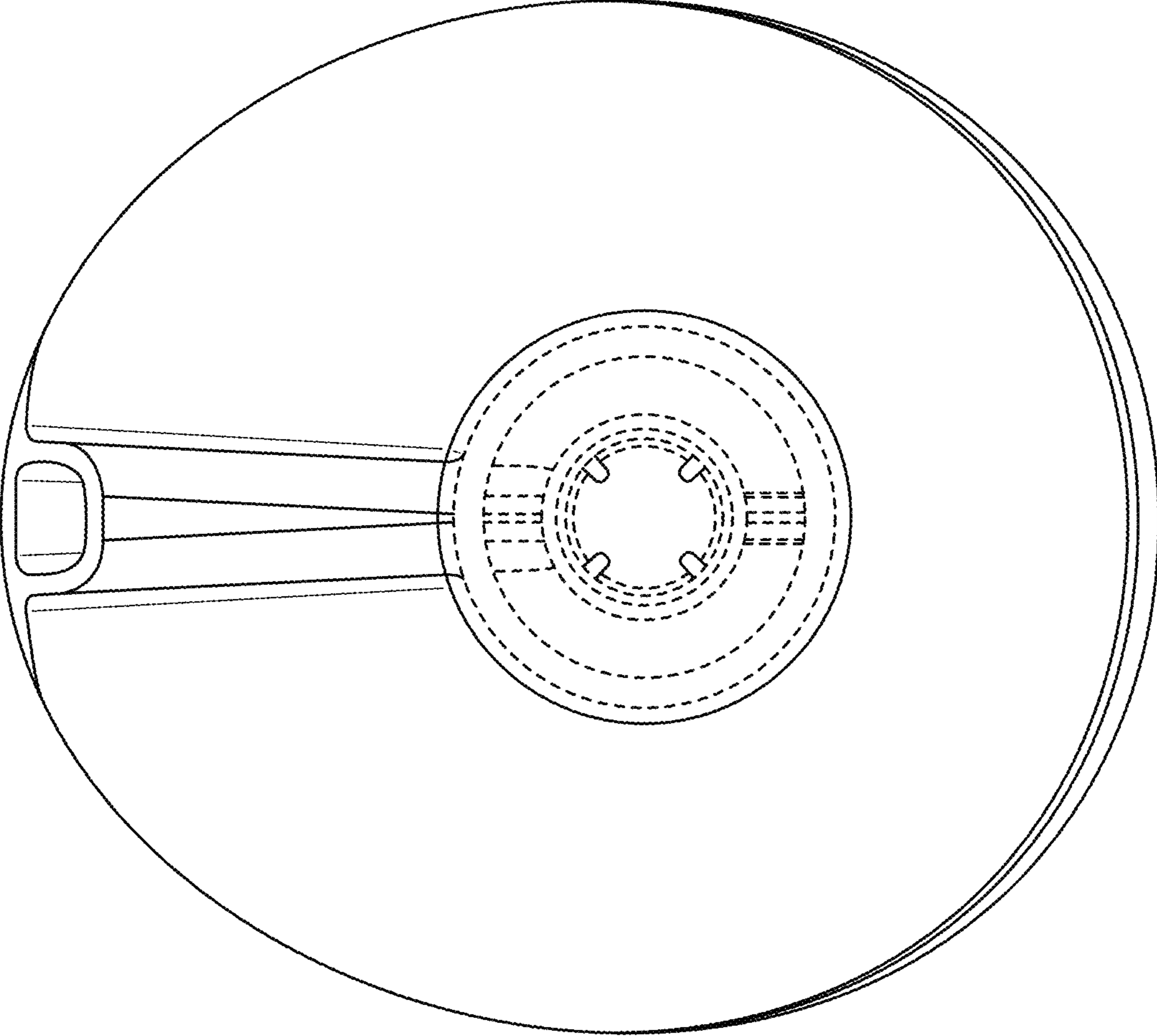


FIG. 2.7