



US00D905551S

(12) **United States Design Patent**
Baird Loya

(10) **Patent No.:** **US D905,551 S**

(45) **Date of Patent:** **** Dec. 22, 2020**

(54) **SPOON CAP**

(71) Applicant: **Honey Bee Babies, LLC**, Oldwick, NJ
(US)

(72) Inventor: **Heather Baird Loya**, Oldwick, NJ
(US)

(**) Term: **15 Years**

(21) Appl. No.: **29/703,319**

(22) Filed: **Aug. 26, 2019**

(51) **LOC (12) Cl.** **09-07**

(52) **U.S. Cl.**
USPC **D9/436; D9/449**

(58) **Field of Classification Search**
USPC D9/434, 435, 438-441, 443-454, 499,
D9/503-505, 682, 685, 686, 436;
D7/300.1, 387, 391, 392, 392.1, 393, 394,
D7/396.1, 396.2, 506, 507, 510, 511, 533,
D7/534, 900; D3/202, 203.2, 294, 318;
D28/91, 91.1
CPC .. A61J 1/00; A61J 1/1412; B65D 1/00; B65D
1/02; B65D 1/10; B65D 1/46; B65D
5/46; B65D 41/00; B65D 41/38; B65D
41/56; B65D 41/62; B65D 47/00; B65D
47/06; B65D 47/08; B65D 2251/00;
B65D 2543/00046; B65D 2543/00092;
B65D 2543/00296

See application file for complete search history.

(56) **References Cited**

U.S. PATENT DOCUMENTS

- 1,425,456 A * 8/1922 Dial A47G 21/04
215/228
- 1,648,123 A * 11/1927 Hodgman A61J 7/0023
30/326
- 1,784,880 A * 12/1930 Phillipson A61J 7/0023
D7/643
- 2,751,683 A * 6/1956 Johns A47G 21/04
D7/653

- D191,387 S * 9/1961 Hansen D9/436
- 3,208,625 A * 9/1965 Bernini B65D 17/28
220/269
- 3,383,018 A * 5/1968 Grimsley A61J 7/0053
222/108
- 3,428,099 A * 2/1969 Tenenouser B65D 51/246
141/380
- 3,730,372 A * 5/1973 Komendowski B65D 1/0238
215/47
- 3,804,282 A * 4/1974 Komendowski B65D 77/245
215/48

(Continued)

Primary Examiner — Wendy L Arminio

(74) *Attorney, Agent, or Firm* — David R. Conklin;
Kirton McConkie

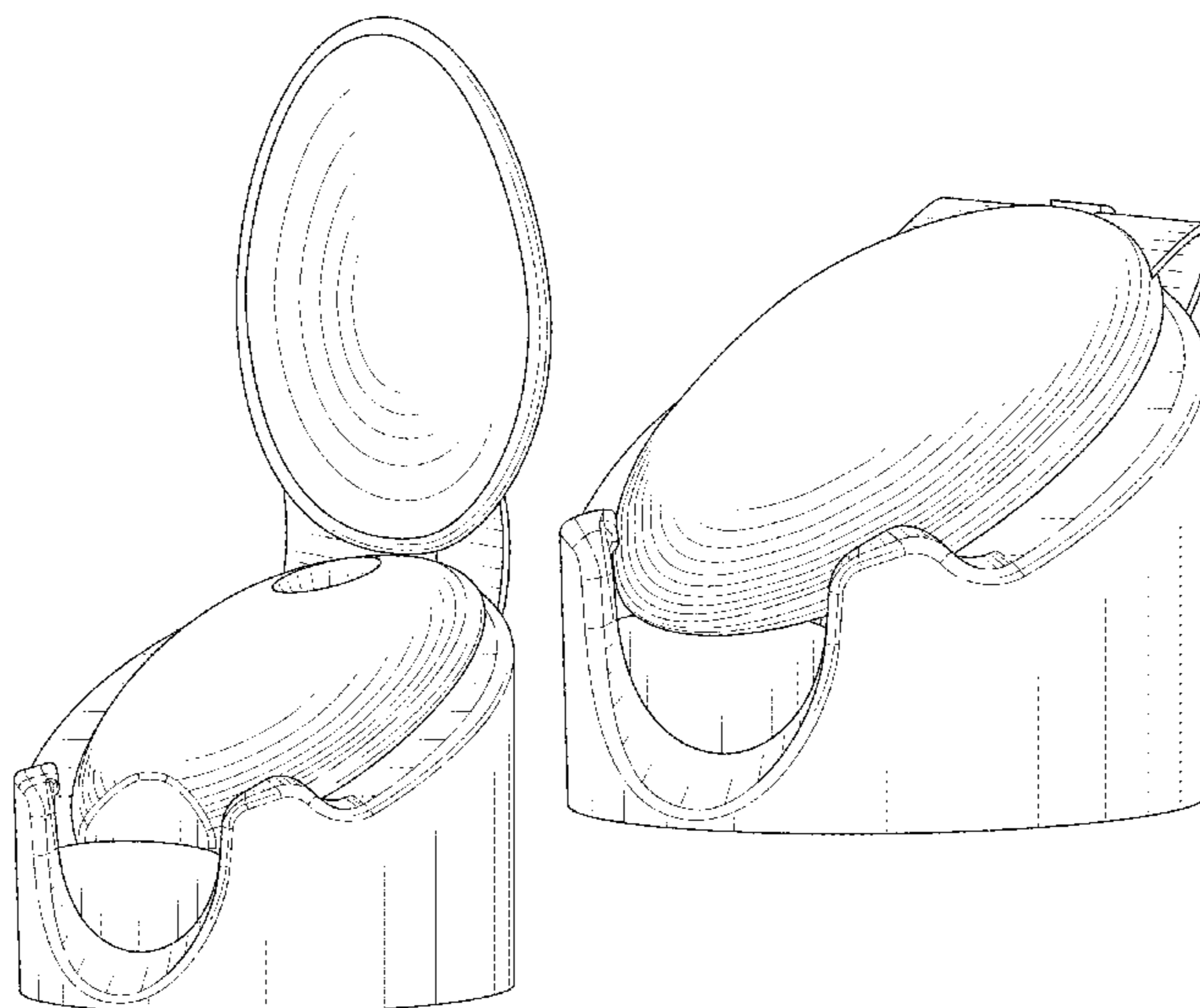
(57) **CLAIM**

The ornamental design for a spoon cap, as shown and described.

DESCRIPTION

FIG. 1 is a top perspective view of a spoon cap showing the new design in an open orientation.
 FIG. 2 is a left elevation view thereof.
 FIG. 3 is a right elevation view thereof.
 FIG. 4 is a front elevation view thereof.
 FIG. 5 is a back elevation view thereof.
 FIG. 6 is a top plan view thereof.
 FIG. 7 is a bottom plan view thereof.
 FIG. 8 is a top perspective view thereof showing the new design in a closed orientation.
 FIG. 9 is a left elevation view thereof.
 FIG. 10 is a right elevation view thereof.
 FIG. 11 is a front elevation view thereof.
 FIG. 12 is a back elevation view thereof.
 FIG. 13 a top plan view thereof; and,
 FIG. 14 is a bottom plan view thereof.
 The broken lines depict portions of the spoon cap that form no part of the claimed design.

1 Claim, 14 Drawing Sheets



(56)

References Cited

U.S. PATENT DOCUMENTS

3,955,742	A *	5/1976	Marshall	B65D 51/247	220/574	D493,366	S *	7/2004	Rackwitz	D9/436
D262,691	S *	1/1982	Horsley	D9/436		D590,497	S *	4/2009	Noble	D24/116
D270,043	S *	8/1983	Horsley	D9/436		D595,131	S *	6/2009	Dibnah	D9/436
D270,044	S *	8/1983	Horsley	D9/436		D602,775	S *	10/2009	Shale	D9/436
4,724,615	A *	2/1988	Mackles	A47G 21/04	30/326	D640,134	S *	6/2011	Rognard	D9/449
4,830,222	A *	5/1989	Read	A47G 21/004	D7/643	D715,646	S *	10/2014	Fraser	D9/436
D306,265	S *	2/1990	Leebeek	D9/435		D738,209	S *	9/2015	Cetti	D9/436
D368,833	S *	4/1996	Gibson	D7/662		D775,950	S *	1/2017	Rognard	D9/449
6,295,735	B1 *	10/2001	Barger	A61J 7/0023	206/438	D839,663	S *	2/2019	Hu	D7/391
6,399,079	B1 *	6/2002	Mehta	A61P 3/02	424/400	2003/0029868	A1 *	2/2003	Davidov	B65D 51/246
6,604,645	B1 *	8/2003	Vaupotic	B65D 51/247	220/212	2004/0094548	A1 *	5/2004	Laveault	B65D 51/246
							2010/0147885	A1 *	6/2010	Braxton	B65D 35/38
							2014/0138408	A1 *	5/2014	Loya	B65D 1/32
							2020/0031535	A1 *	1/2020	Loya	B65D 47/0838

* cited by examiner

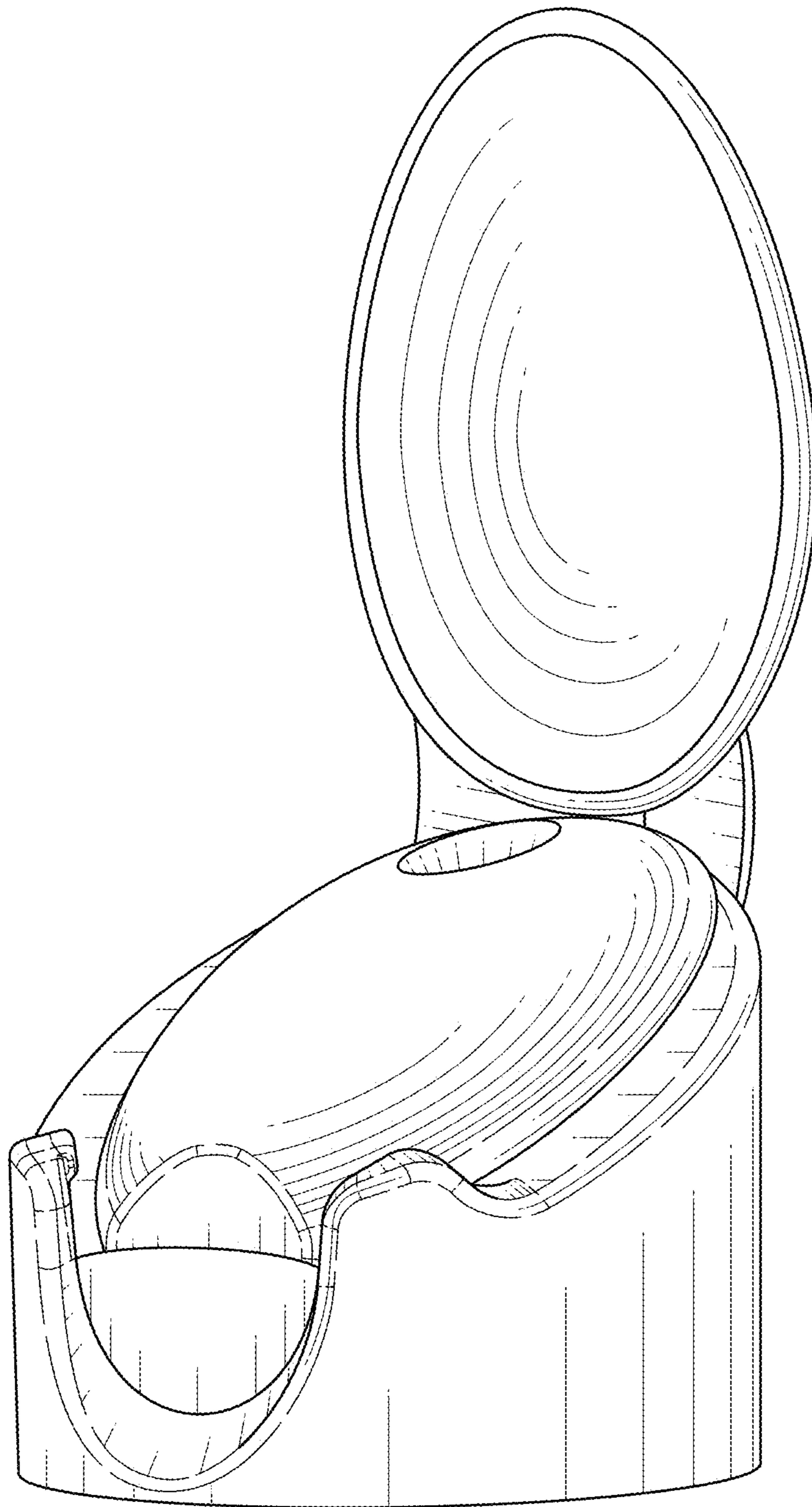


FIG. 1

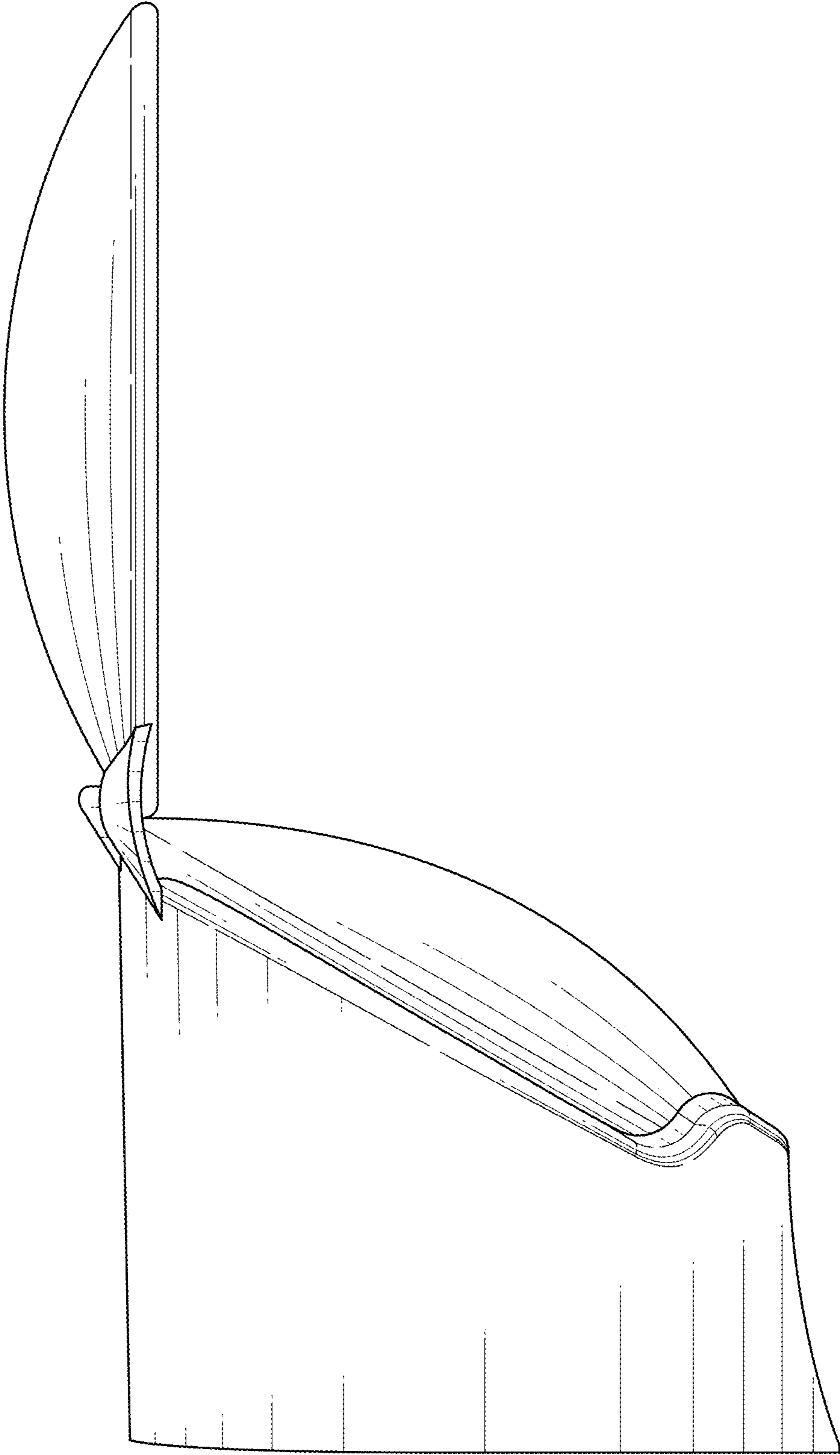


FIG. 2

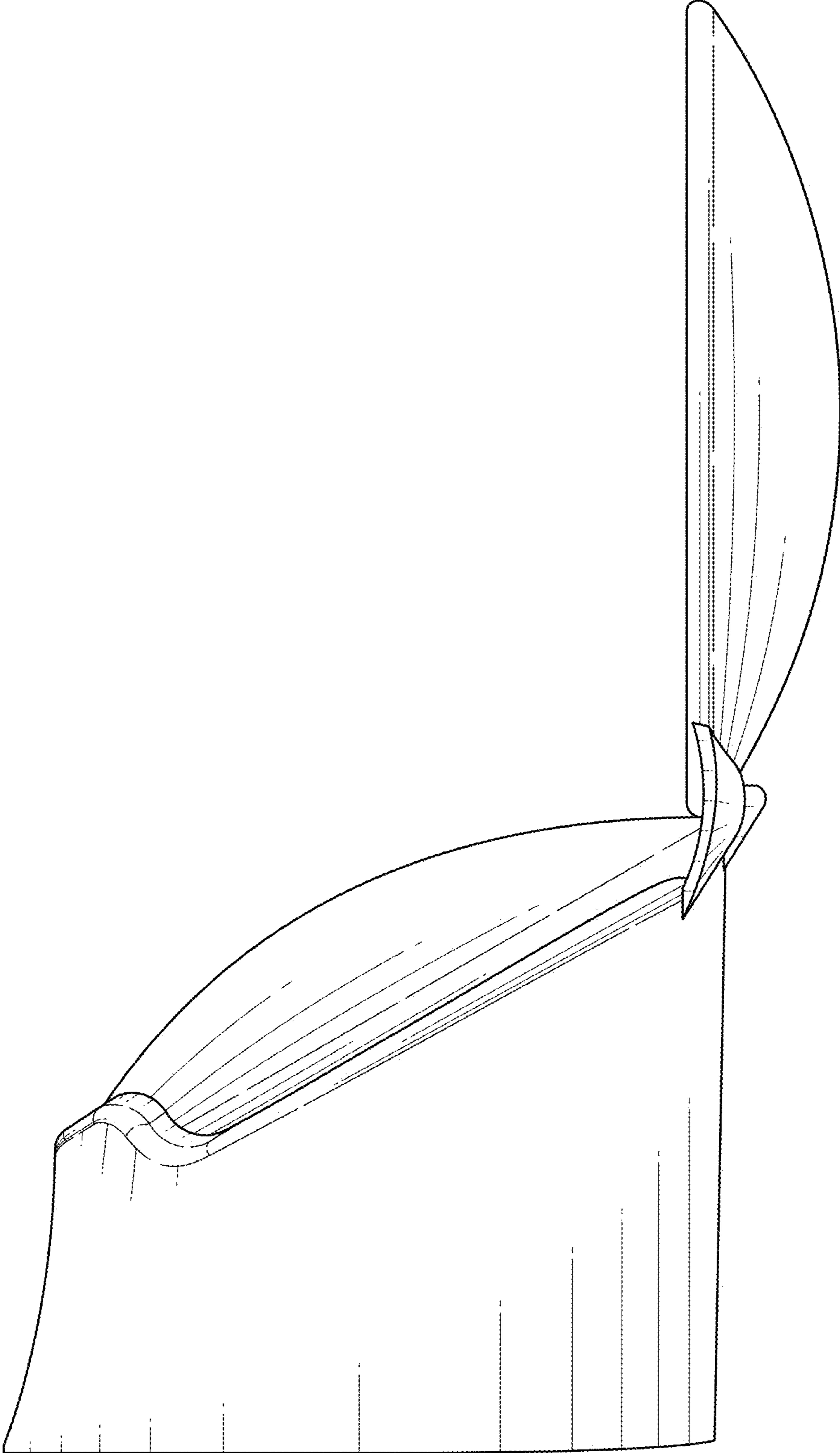


FIG. 3

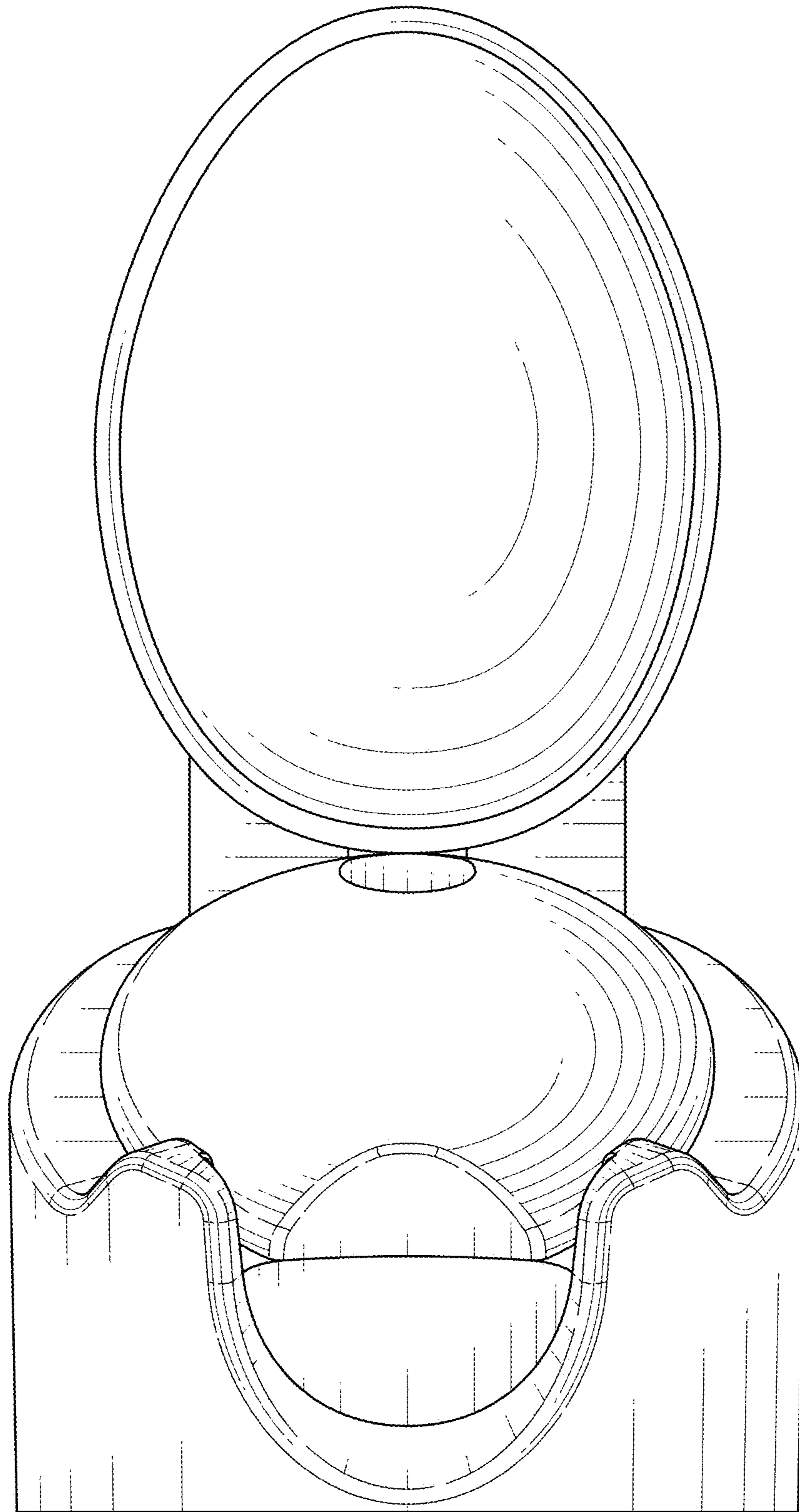


FIG. 4

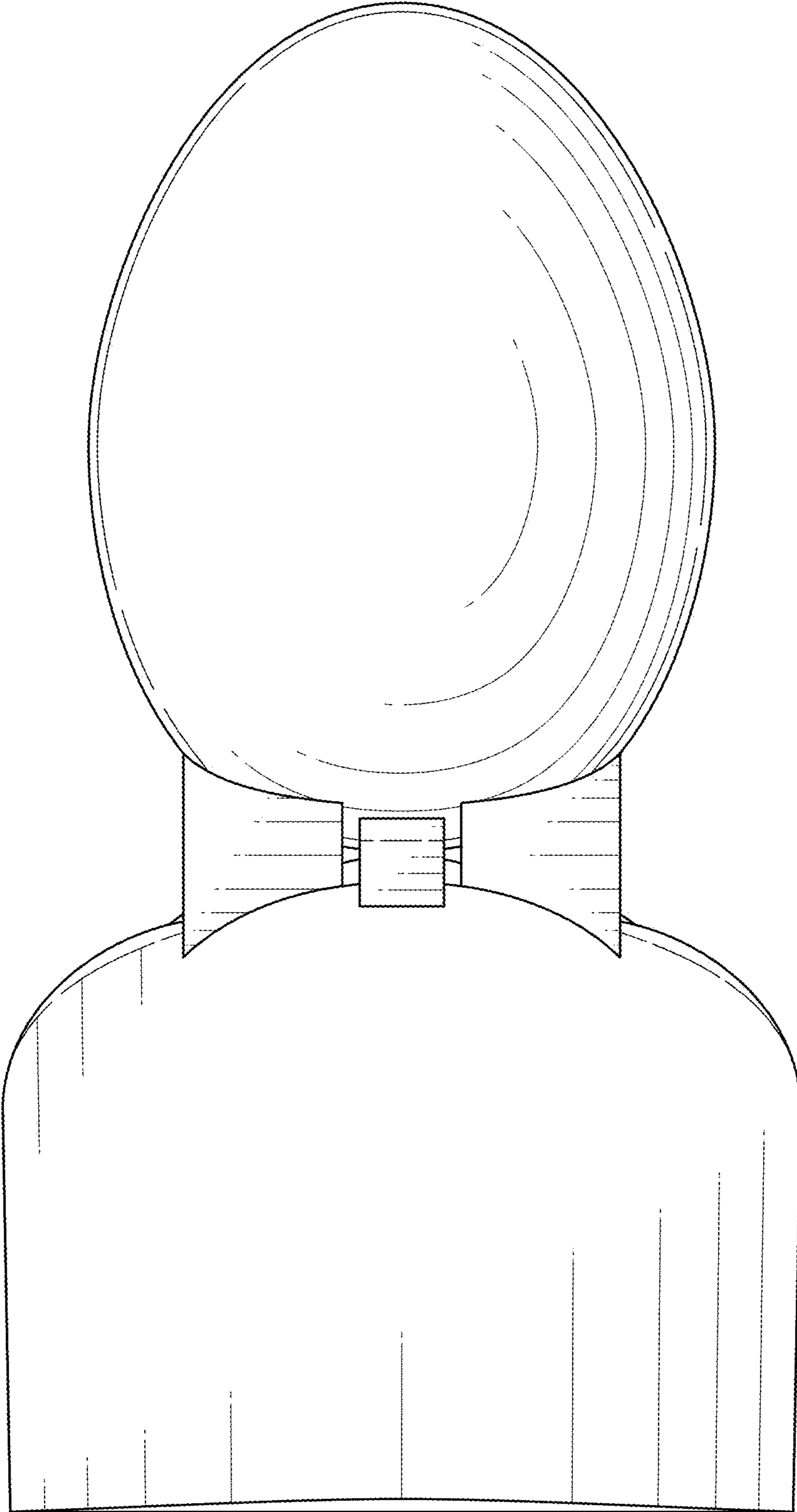


FIG. 5

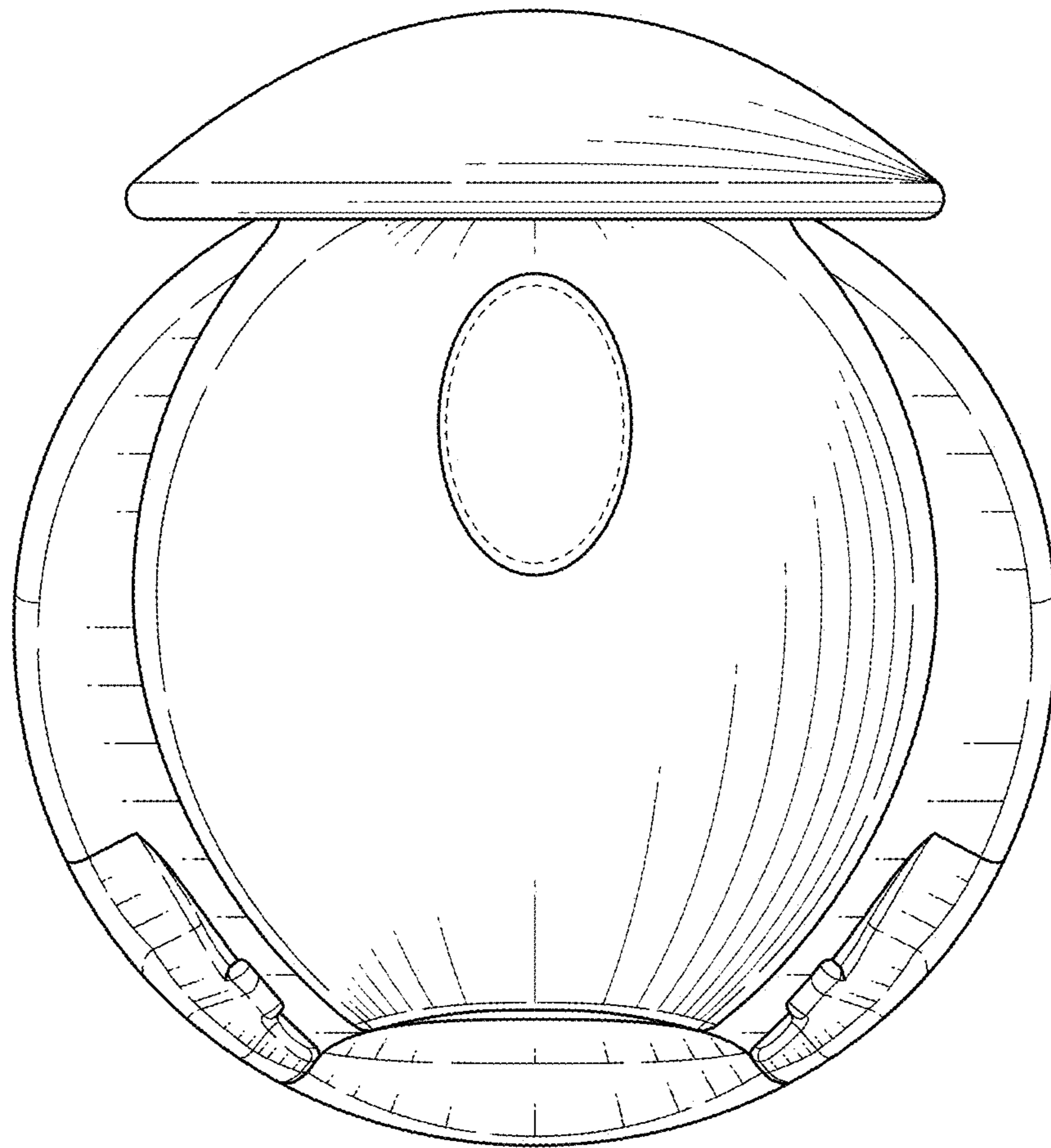


FIG. 6

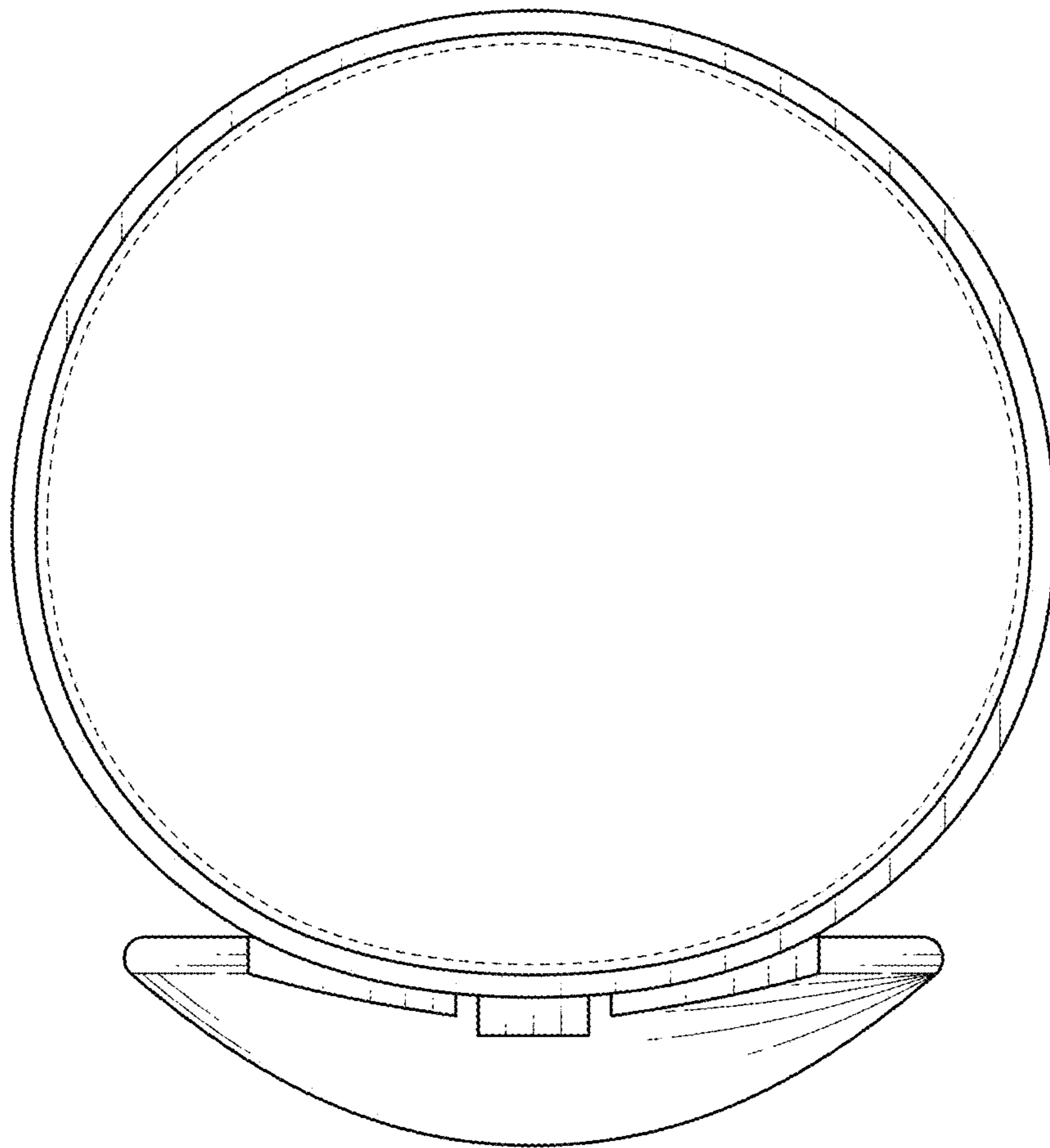


FIG. 7

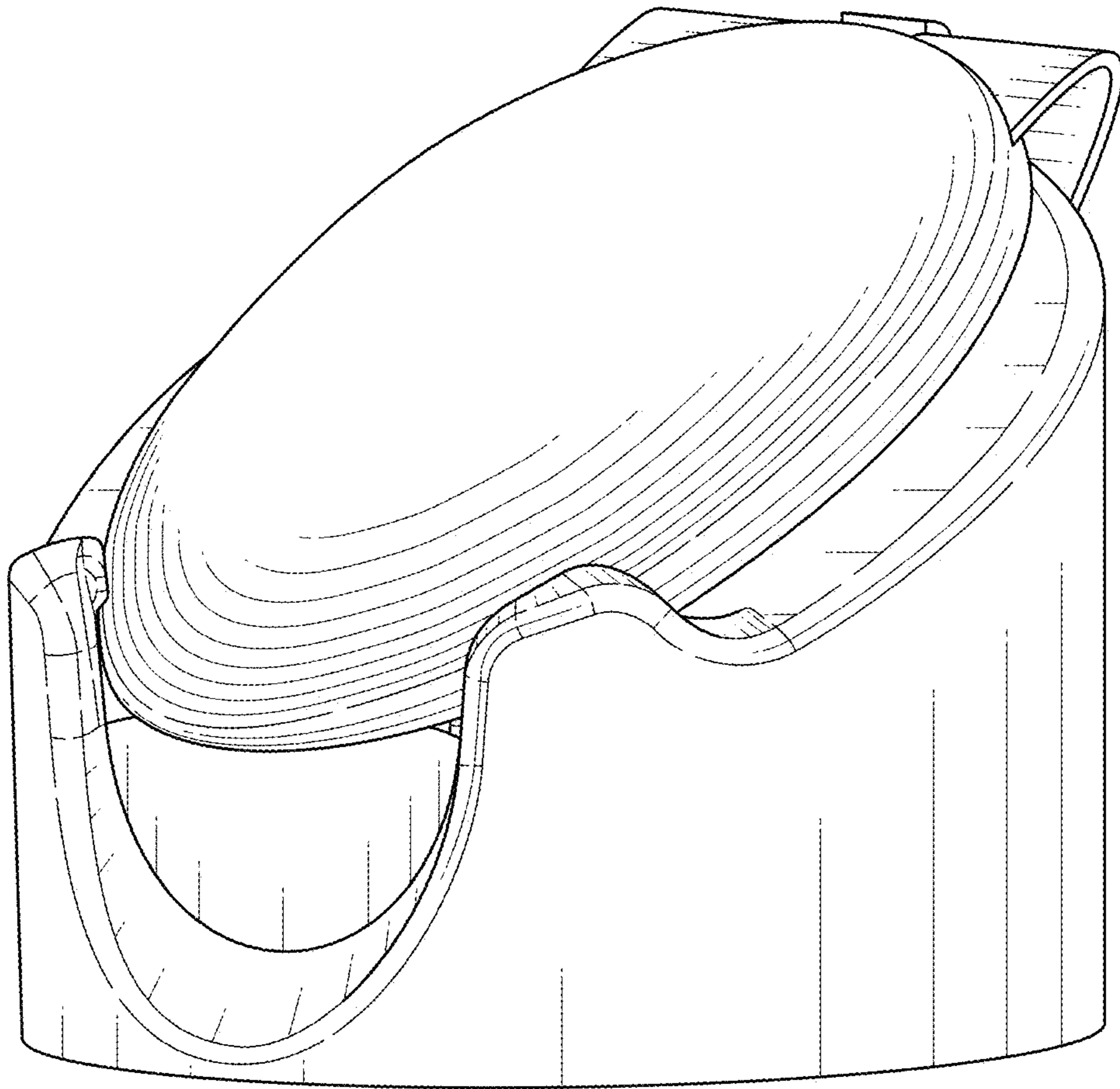


FIG. 8

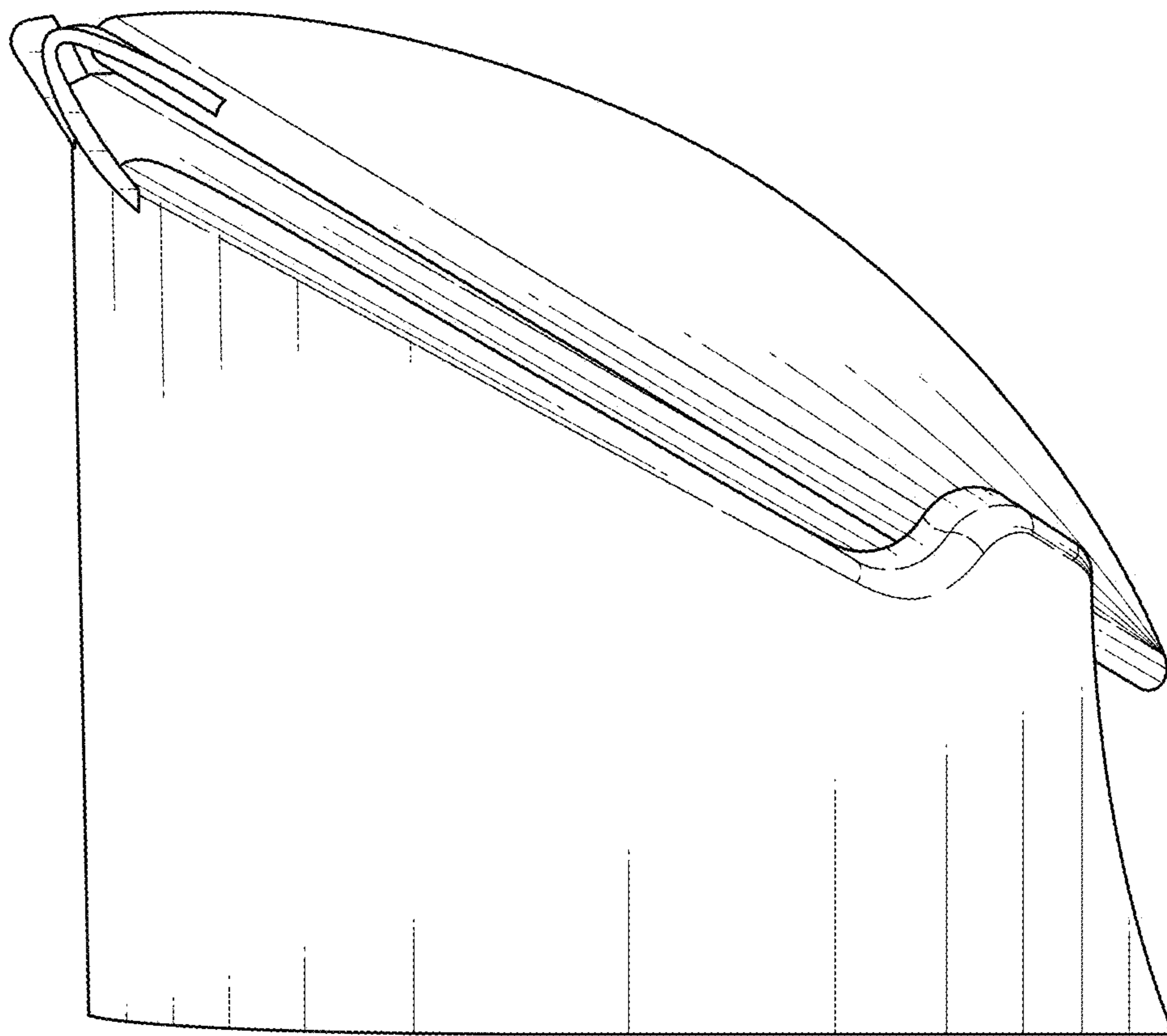


FIG. 9

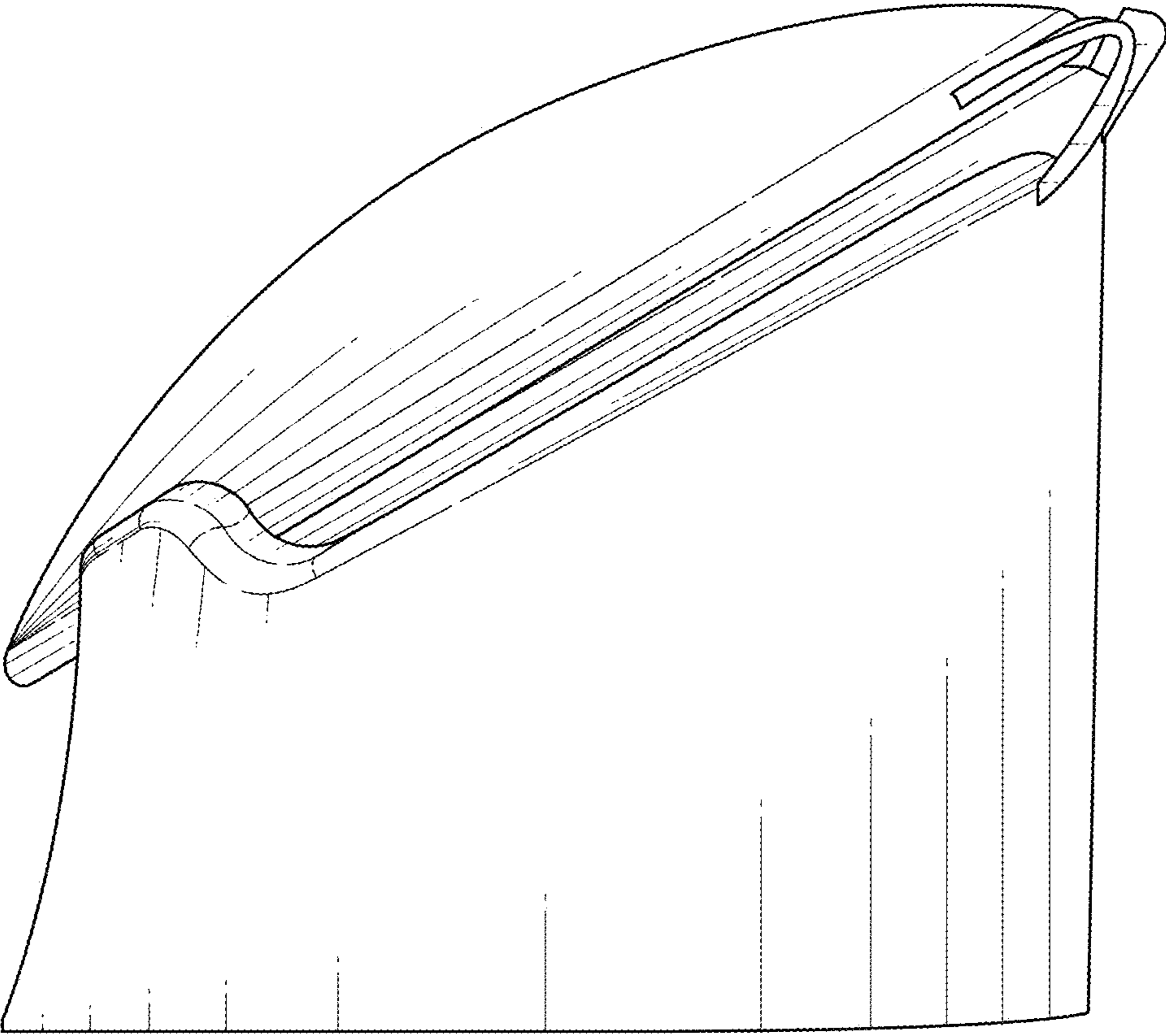


FIG. 10

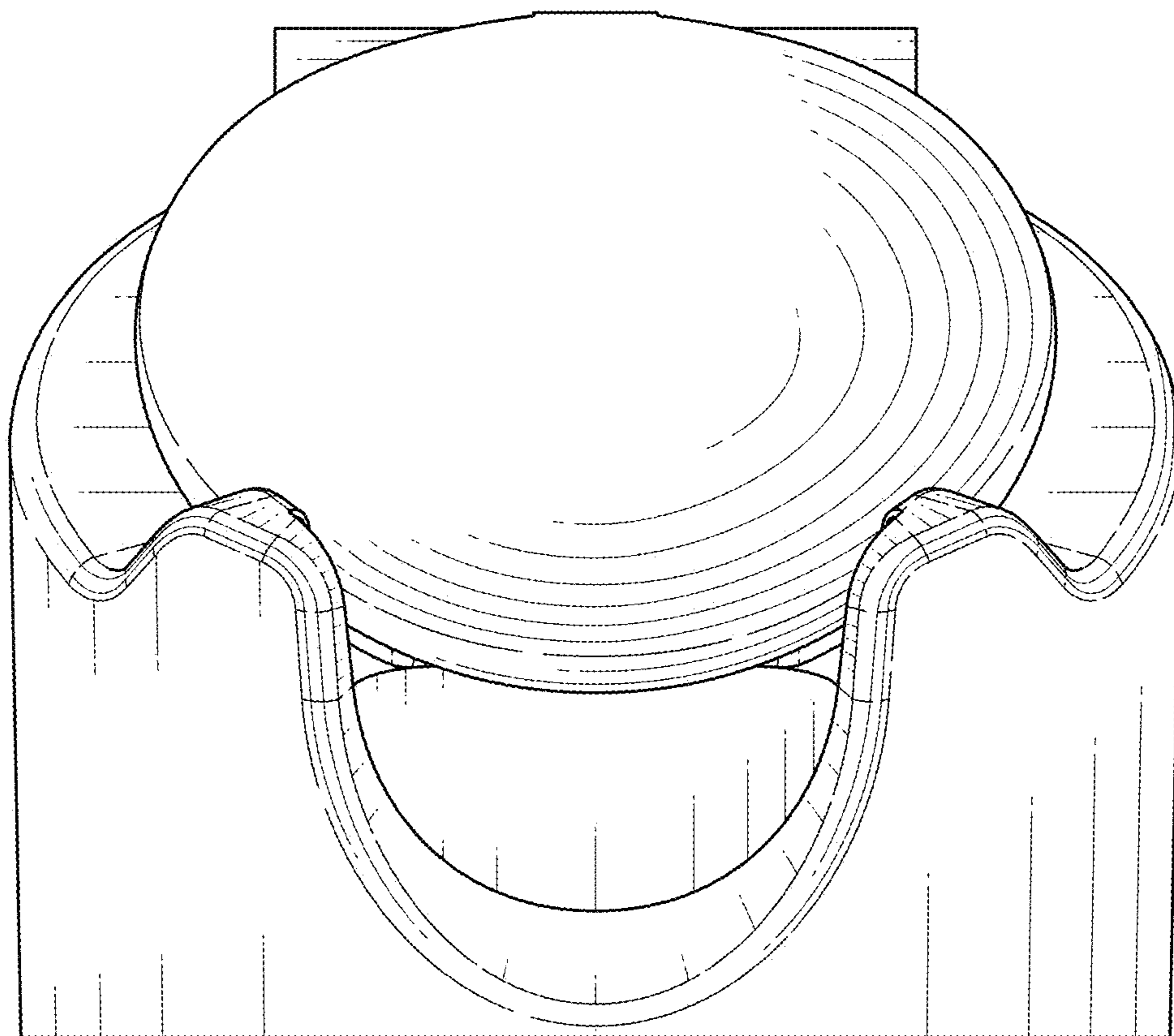


FIG. 11

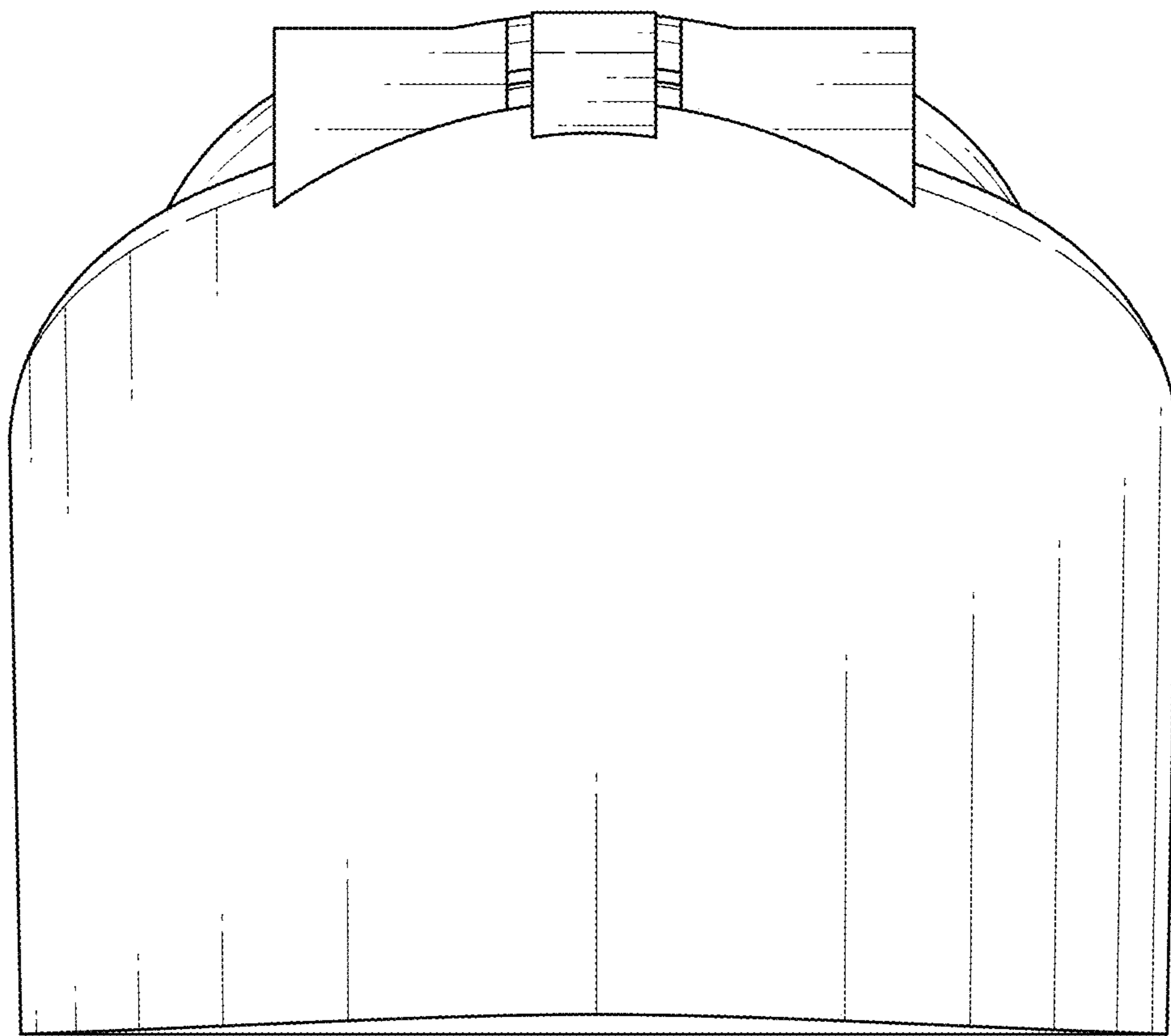


FIG. 12

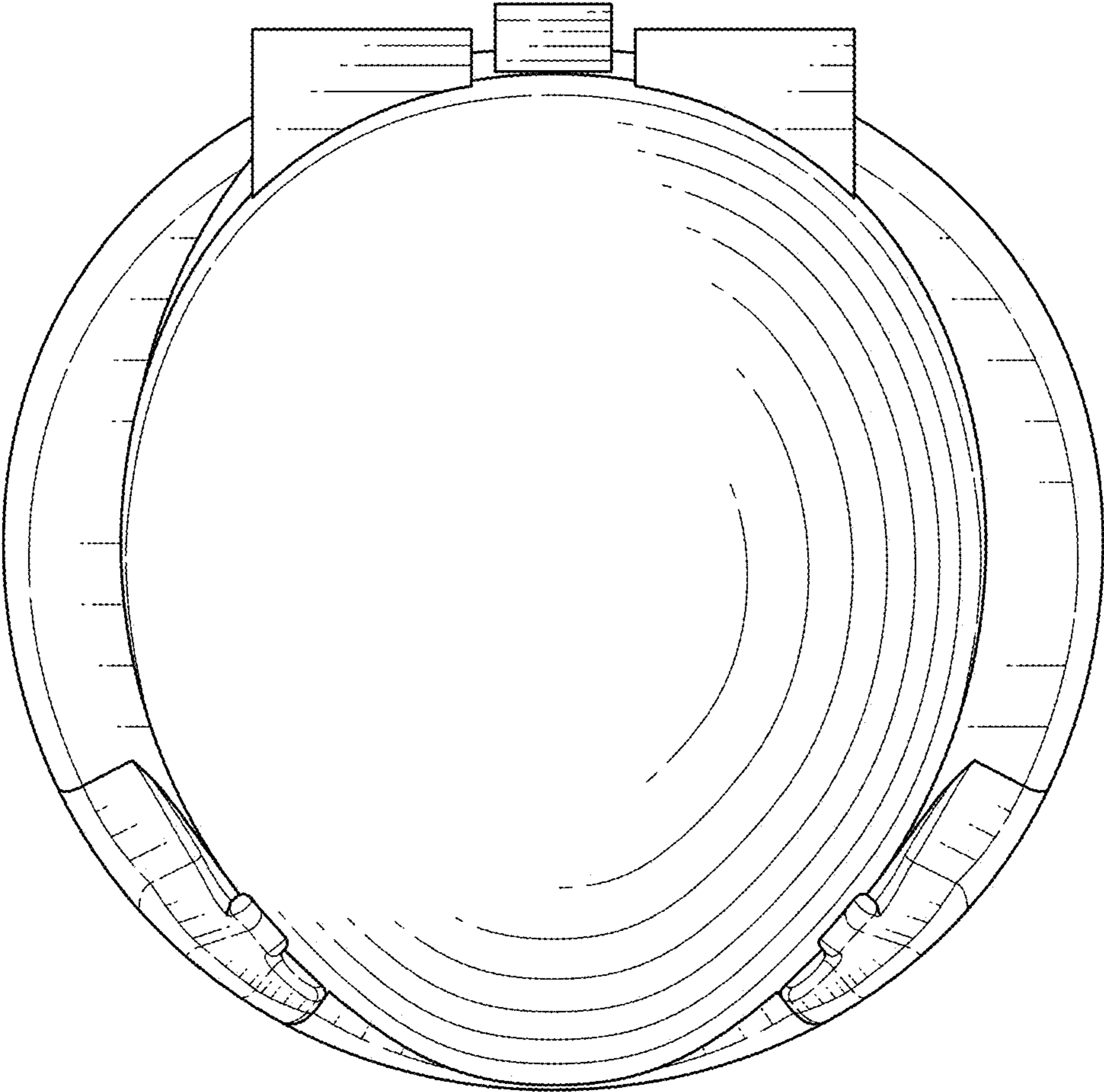


FIG. 13

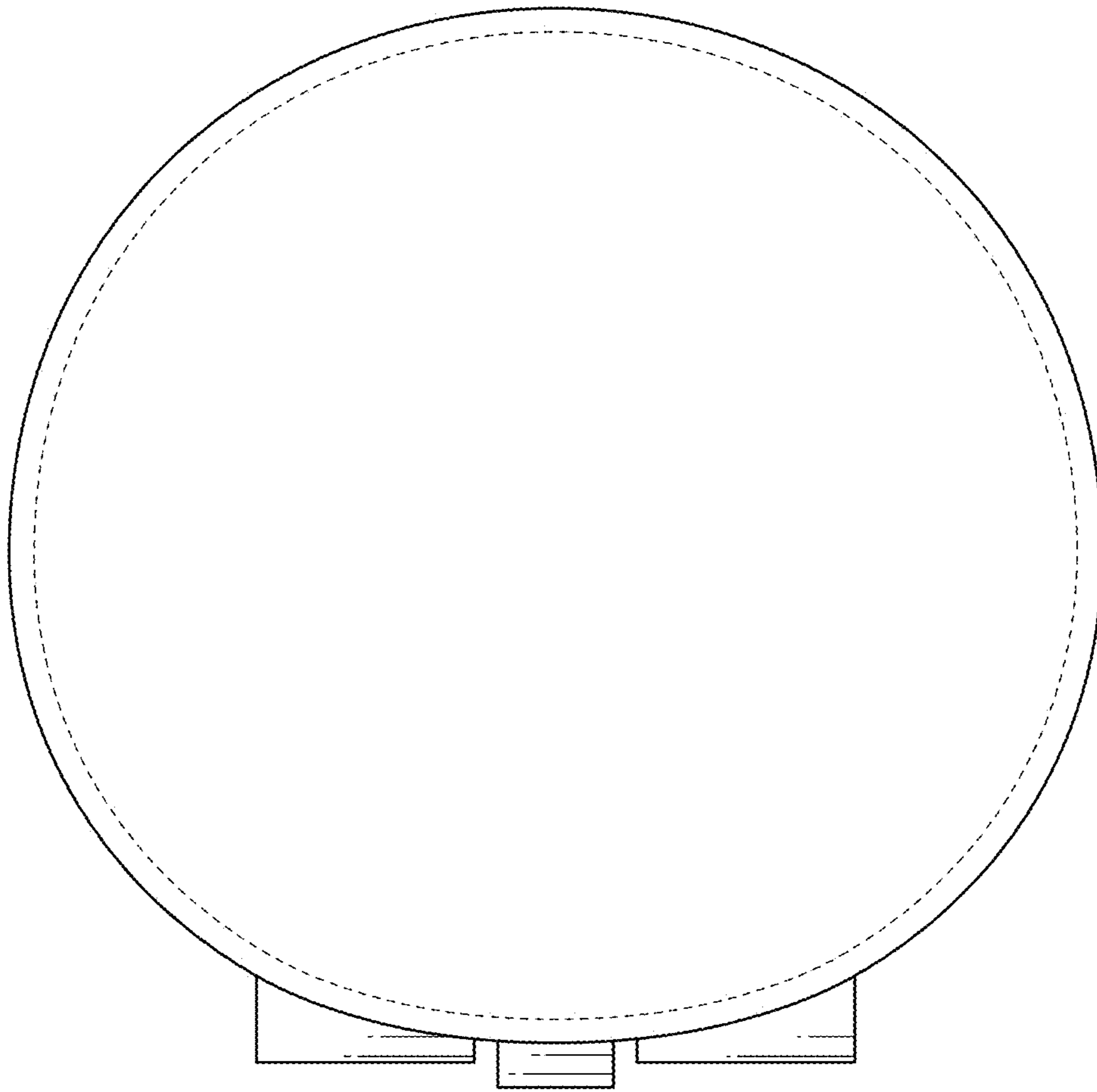


FIG. 14