



US00D905550S

(12) **United States Design Patent** (10) **Patent No.:** **US D905,550 S**
Noda et al. (45) **Date of Patent:** **** Dec. 22, 2020**

(54) **PACKAGE**

(71) Applicant: **Sony Interactive Entertainment Inc.**,
Tokyo (JP)

(72) Inventors: **Takanori Noda**, Tokyo (JP); **Hisashi Hattori**, Tokyo (JP); **Yasuhiro Ootori**, Tokyo (JP); **Atsunori Hamamoto**, Tokyo (JP)

(73) Assignee: **SONY INTERACTIVE ENTERTAINMENT INC.**, Tokyo (JP)

(**) Term: **15 Years**

(21) Appl. No.: **35/507,066**

(22) Filed: **Jan. 7, 2019**

(80) **Hague Agreement Data**

Int. Filing Date: **Jan. 7, 2019**

Int. Reg. No.: **DM/201221**

Int. Reg. Date: **Jan. 7, 2019**

Int. Reg. Pub. Date: **Jul. 12, 2019**

(51) **LOC (12) Cl.** **09-03**

(52) **U.S. Cl.**

USPC **D9/432; D9/433**

(58) **Field of Classification Search**

USPC D9/414, 420, 422, 423, 425, 426, 432, D9/433

CPC .. A45C 5/00; A45C 5/04; A45C 11/00; A45C 11/16; B65D 5/00; B65D 5/0015; B65D 5/061; B65D 5/18; B65D 5/20; B65D 5/32; B65D 5/321; B65D 5/322

See application file for complete search history.

(56) **References Cited**

U.S. PATENT DOCUMENTS

D669,352 S * 10/2012 Paslawski D9/423
D686,065 S * 7/2013 Kuo D9/432
D687,706 S * 8/2013 Akana D9/414

D724,942 S * 3/2015 Mattila D9/432
D744,829 S * 12/2015 Deering D9/432
D747,192 S * 1/2016 Nietert D9/423
D748,978 S * 2/2016 Glass D9/432
D750,478 S * 3/2016 Kiss D9/423
D751,893 S * 3/2016 Barad D9/422
D751,897 S * 3/2016 Barad D9/432
D764,911 S * 8/2016 Glass D9/432
D792,762 S * 7/2017 Meneaud D9/433
D810,562 S * 2/2018 Augustyniak D9/432
D820,082 S * 6/2018 Meneaud D9/433
D828,156 S * 9/2018 Perella D9/432

(Continued)

OTHER PUBLICATIONS

Sony. Sustainable Package. Dec. 10, 2009. https://www.sony.net/Fun/design/activity/product/sustainable_package/01.html (Year: 2009).*

(Continued)

Primary Examiner — Darcey E Gottschalk

(74) *Attorney, Agent, or Firm* — Nixon & Vanderhye

(57) **CLAIM**

The ornamental design for a package, as shown and described.

DESCRIPTION

1. Package

1.1 : Perspective

1.2 : Front

1.3 : Left

1.4 : Top

1.5 : Second reference view of usage

1.6 : Fourth reference view of usage

1.7 : Fifth reference view of usage

1.8 : Back

1.9 : Right

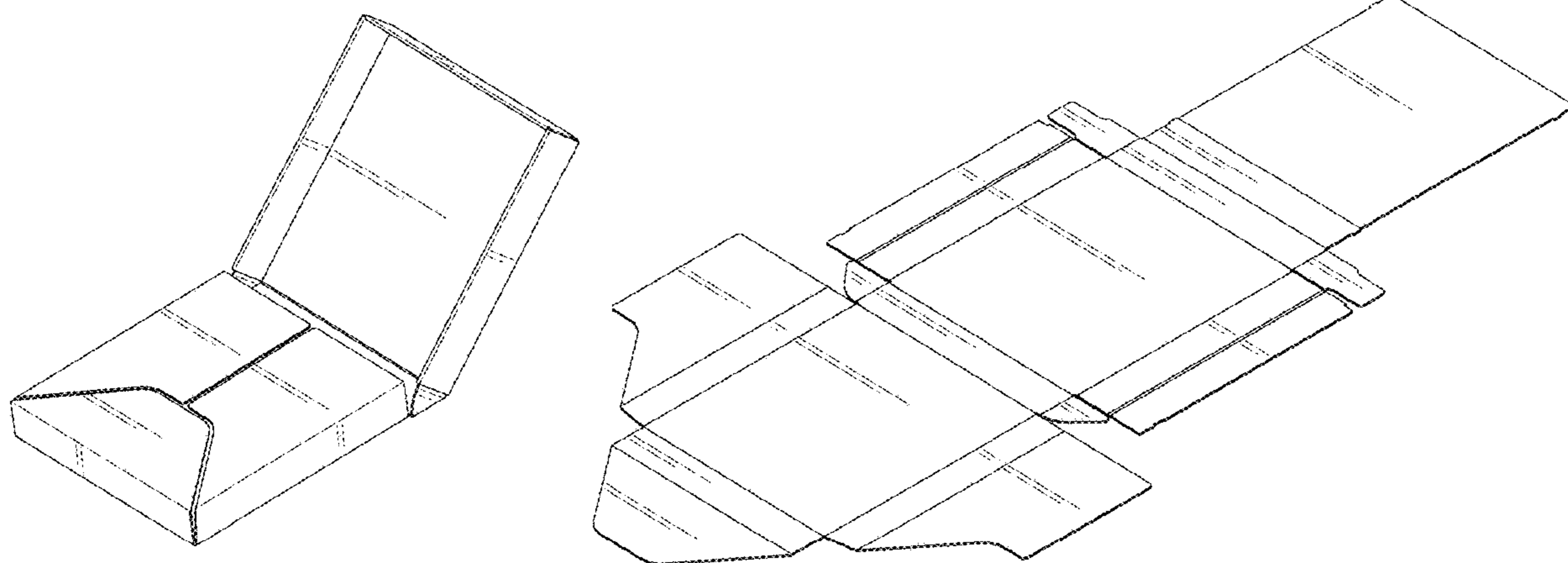
1.10 : Bottom

1.11 : First reference view of usage

1.12 : Third reference view of usage

1.13 : Unfolded Configuration

1 Claim, 13 Drawing Sheets



(56)

References Cited

U.S. PATENT DOCUMENTS

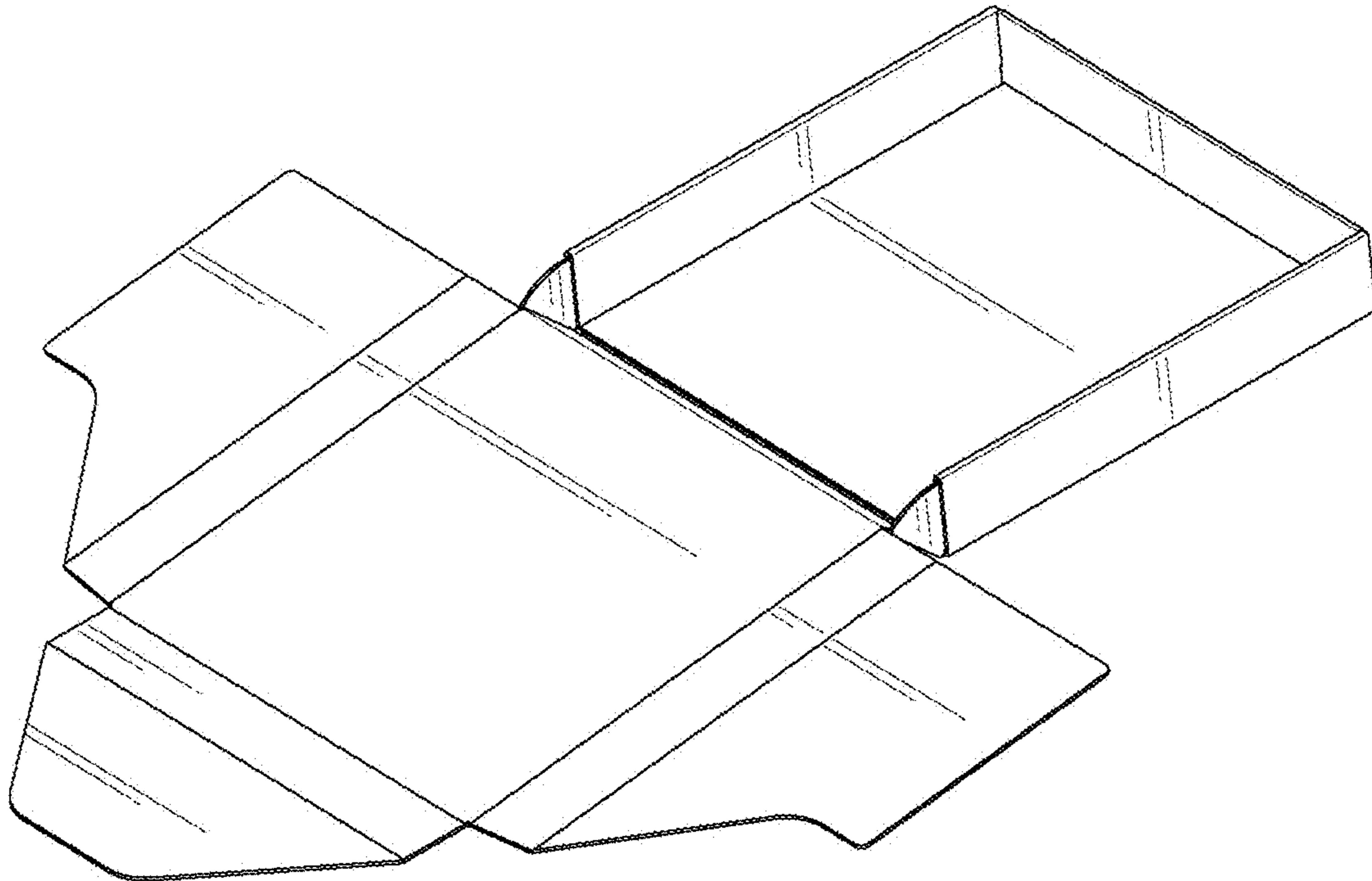
D829,095 S * 9/2018 McKenna D9/432
10,131,490 B2 * 11/2018 D'Alfonso B65D 5/721
D858,274 S * 9/2019 Perella D9/432
D876,219 S * 2/2020 Martin D9/432
10,561,212 B2 * 2/2020 Ho A45C 11/00
D878,912 S * 3/2020 Perella D9/432
10,633,141 B2 * 4/2020 Novotny B65D 5/443

OTHER PUBLICATIONS

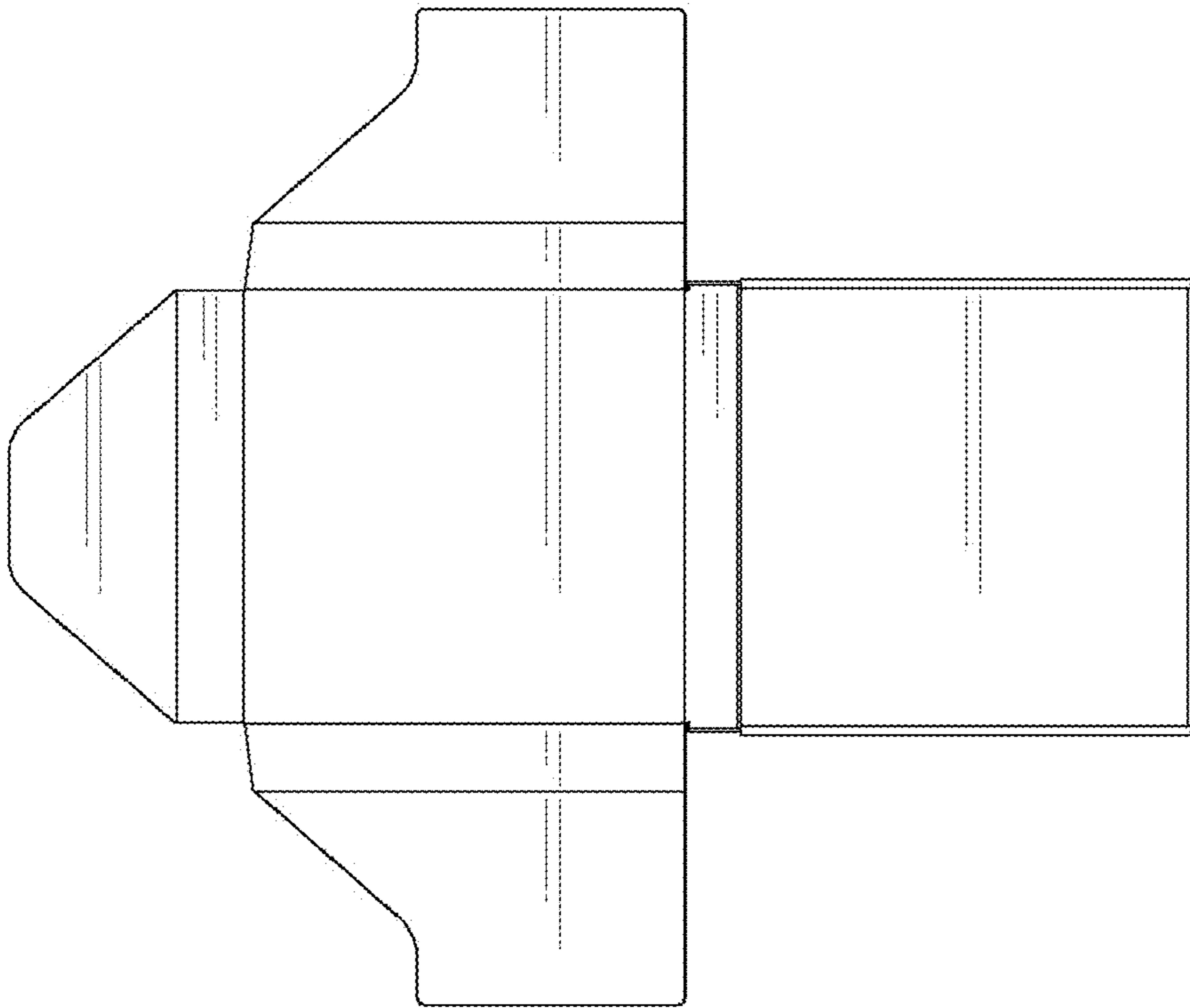
Packaging of the World. Sony Xperia XZ Premium. Jul. 6, 2017.
<https://www.packagingoftheworld.com/2017/07/sony-xperia-xz-premium.html> (Year: 2017).*

* cited by examiner

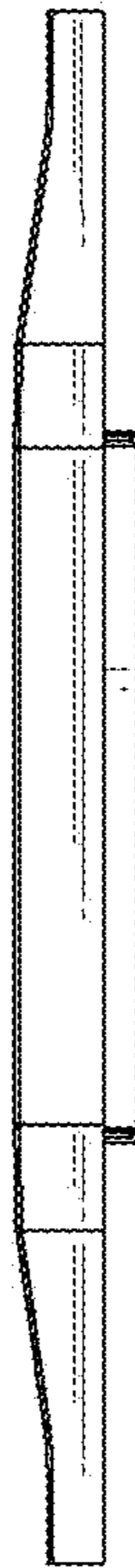
1.1



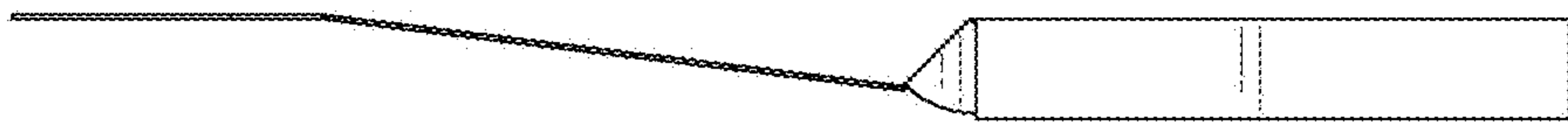
1.2



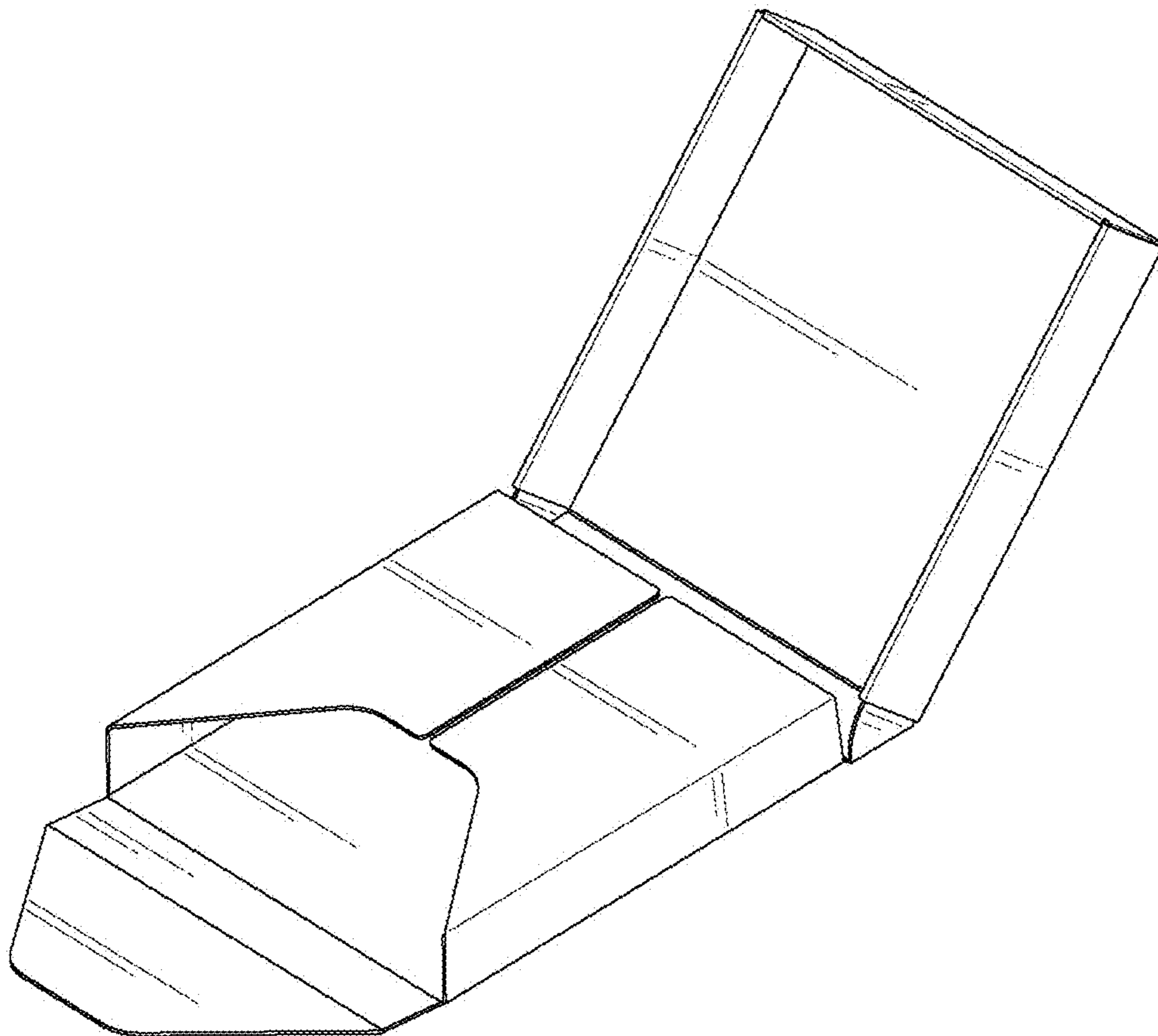
1.3



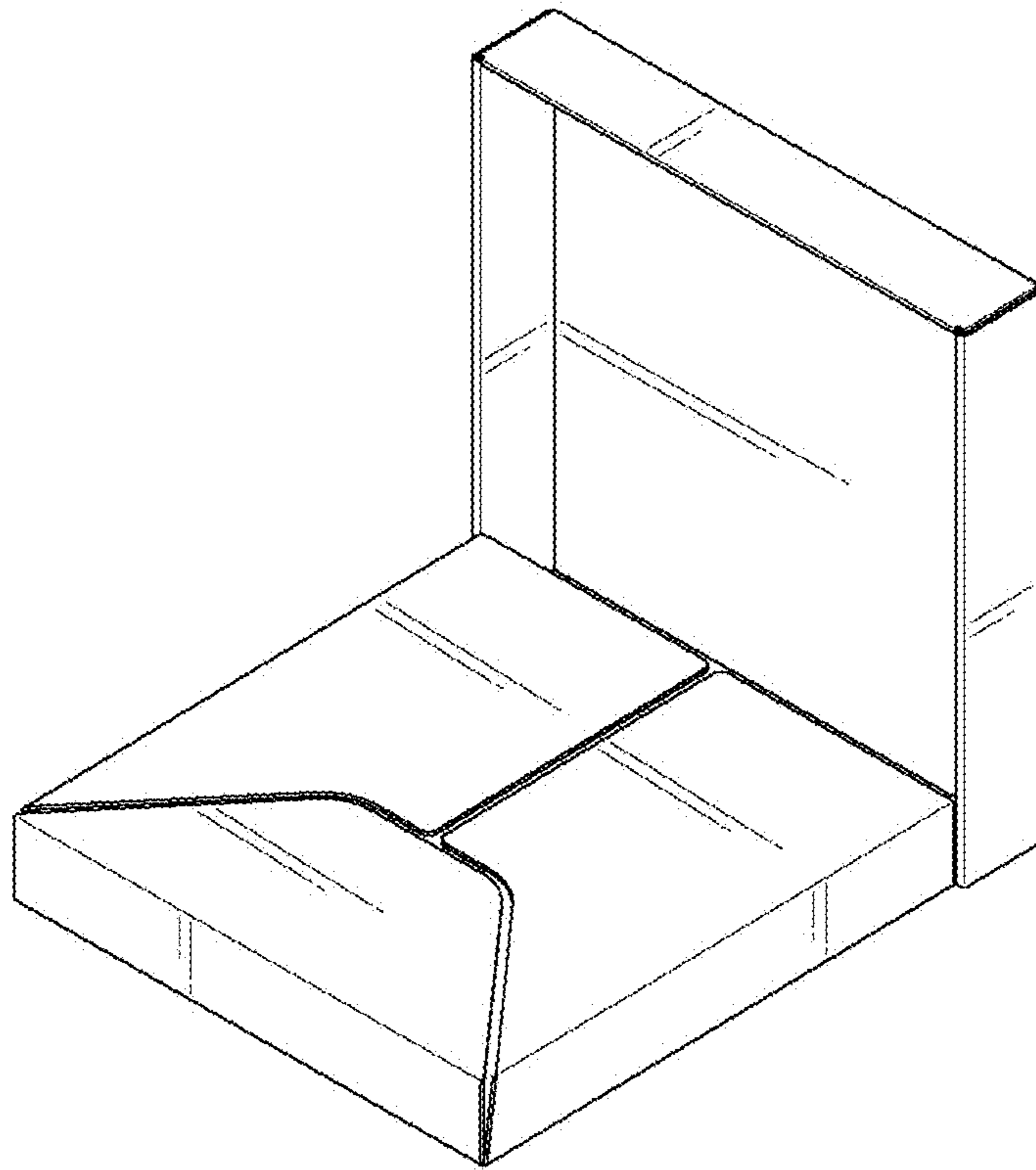
1.4



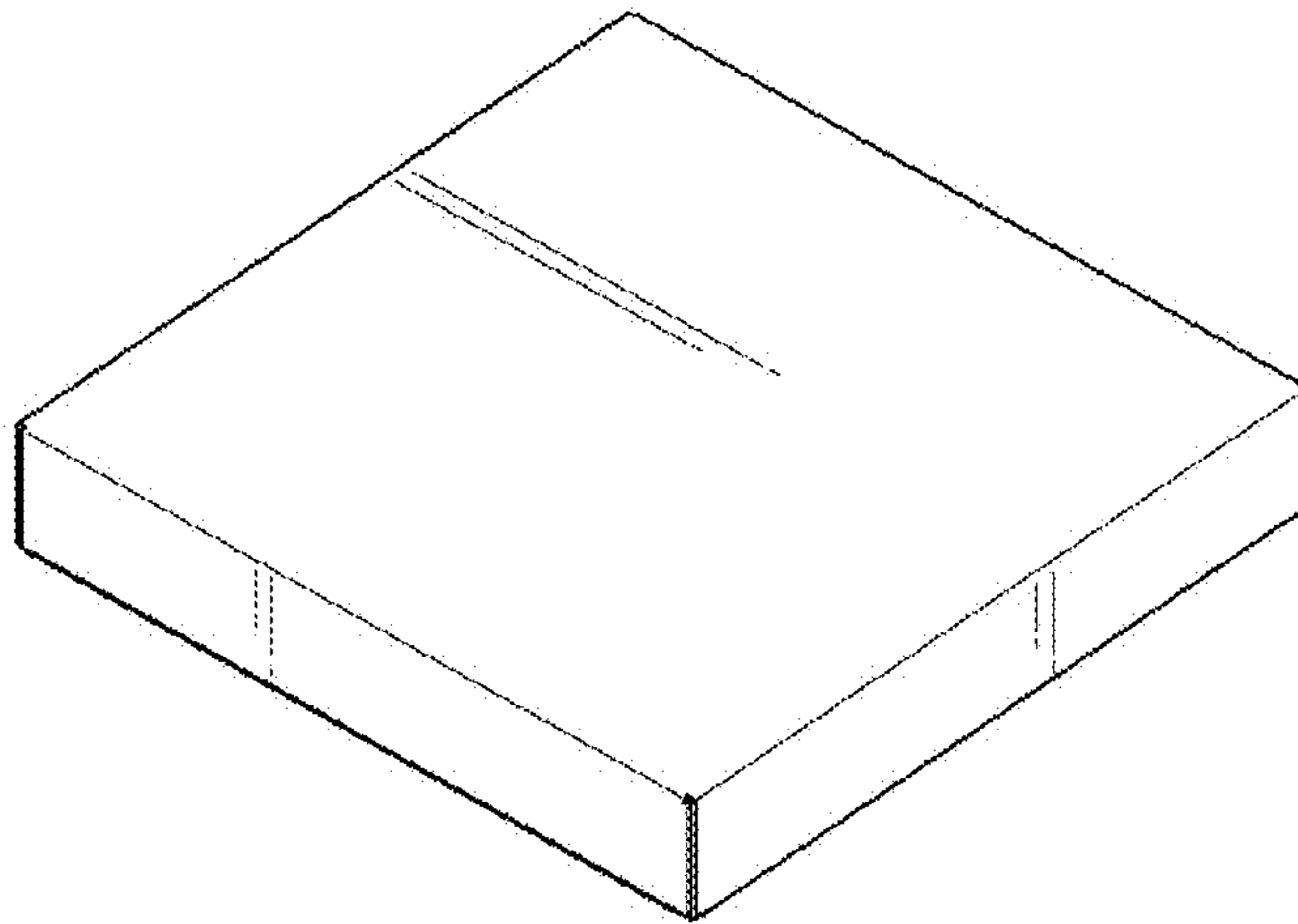
1.5



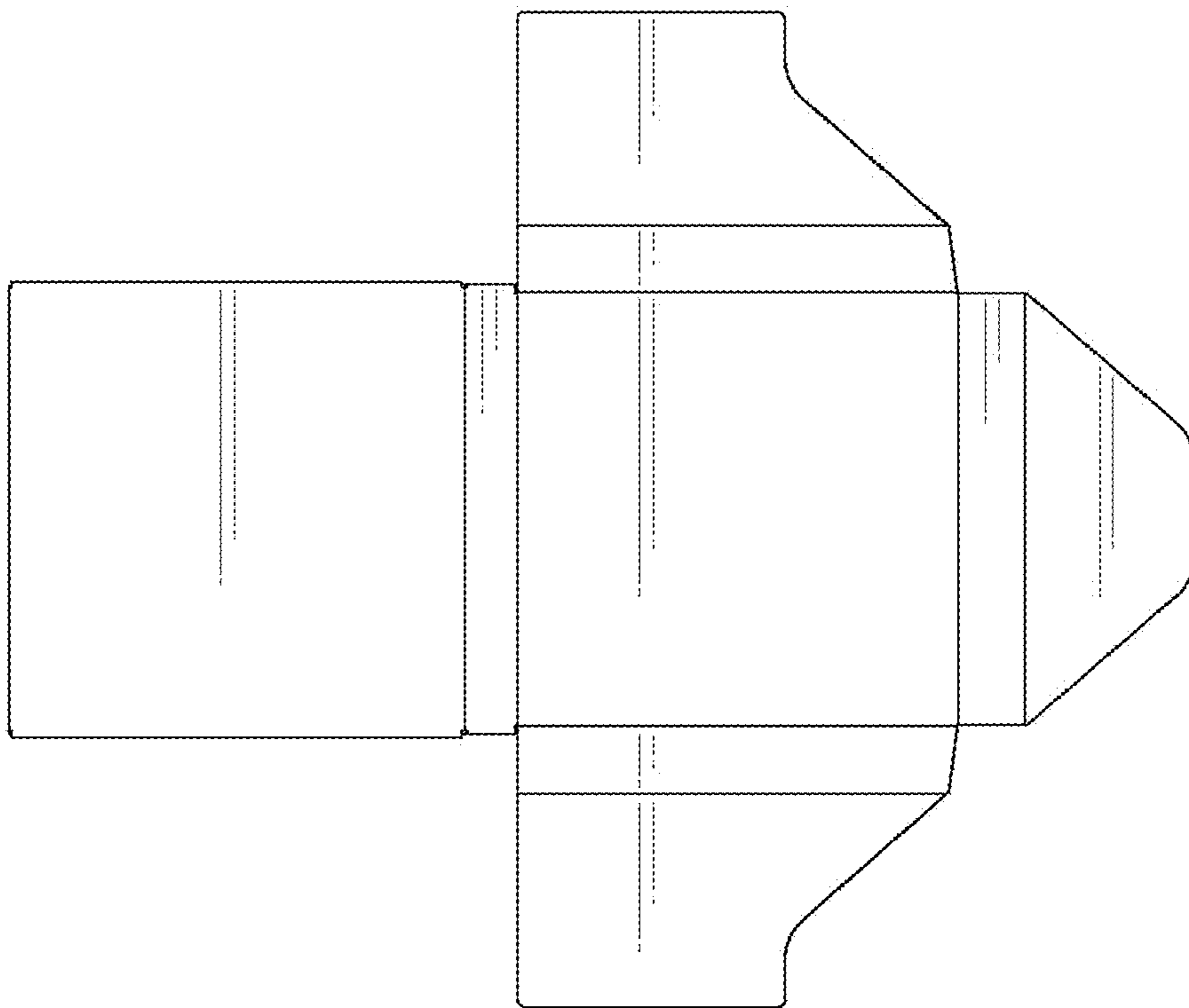
1.6



1.7



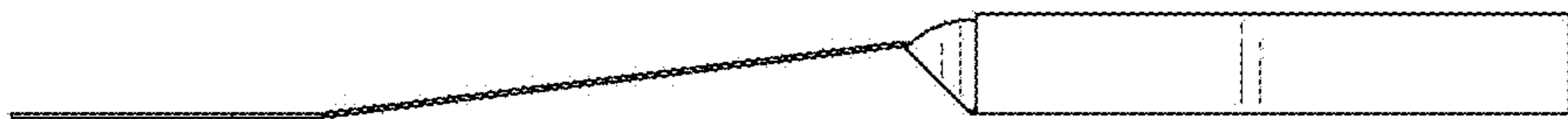
1.8



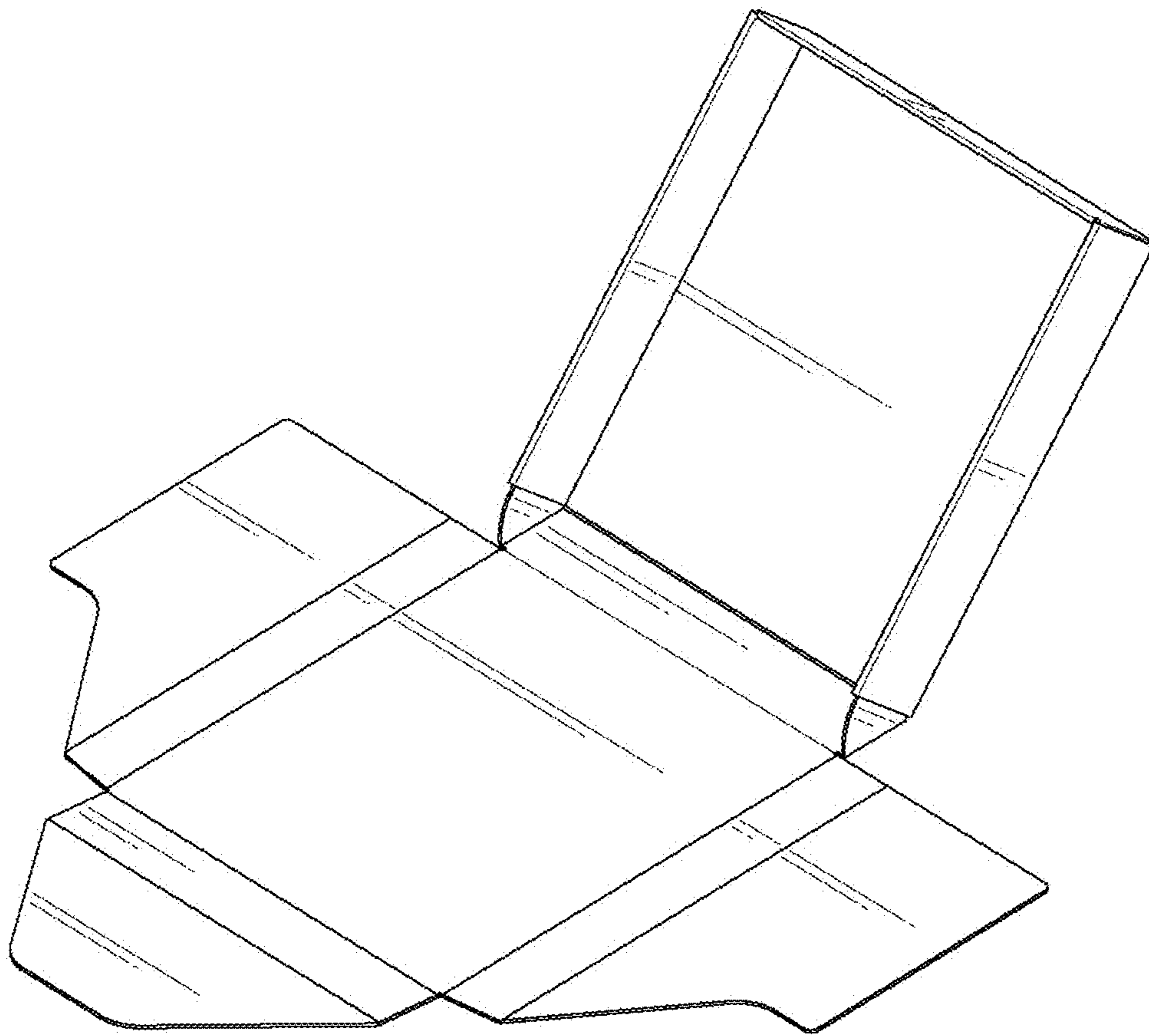
1.9



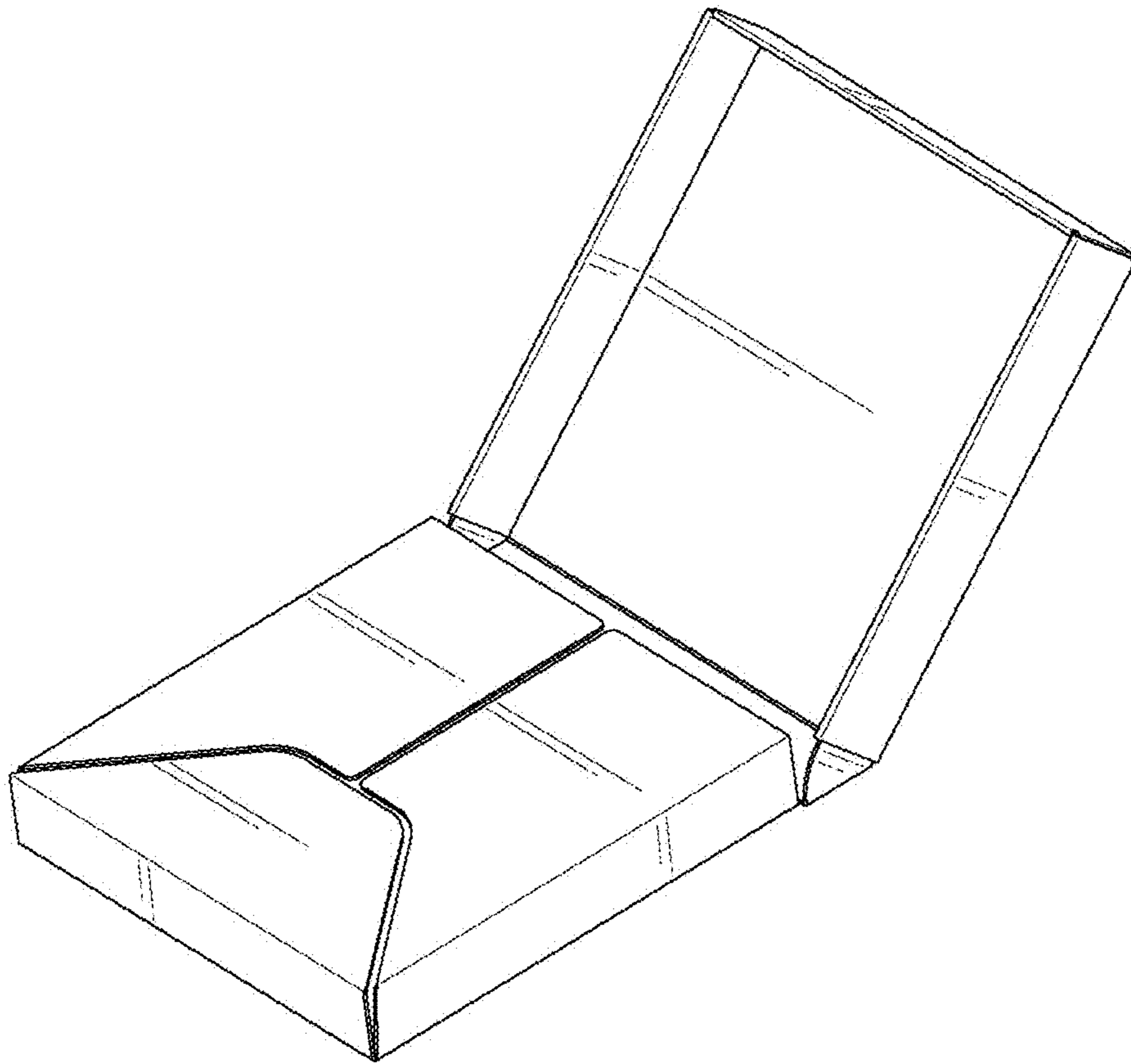
1.10



1.11



1.12



1.13

