



US00D905549S

(12) **United States Design Patent**
McGrath

(10) **Patent No.:** **US D905,549 S**

(45) **Date of Patent:** **** Dec. 22, 2020**

(54) **BOX FOR EYE PENCIL**

(71) Applicant: **Pat McGrath Cosmetics LLC**, New York, NY (US)

(72) Inventor: **Patricia McGrath**, New York, NY (US)

(73) Assignee: **Pat McGrath Cosmetics LLC**, New York, NY (US)

(**) Term: **15 Years**

(21) Appl. No.: **29/659,583**

(22) Filed: **Aug. 9, 2018**

(51) **LOC (12) Cl.** **09-03**

(52) **U.S. Cl.**

USPC **D9/432; D9/420**

(58) **Field of Classification Search**

USPC D9/414, 415, 416, 432, 433, 715, 721

CPC B65D 5/22; B65D 5/4245; B65D

2571/0066; B65D 5/6652; B65D 25/04;

B65D 5/42; B65D 5/4279; B65D 5/28;

B65D 85/00; B65D 5/4233; B65D 5/425;

B65D 5/4216; B65D 63/10; B65D 55/06;

B65D 5/6611; B65D 21/0204; B65D

21/0208

See application file for complete search history.

(56) **References Cited**

U.S. PATENT DOCUMENTS

1,004,246 A * 9/1911 Downer B65D 5/6611
24/127

1,085,699 A * 2/1914 Orendorff B65D 63/10
24/17 R

1,125,755 A * 1/1915 Sommers et al. ... B65D 5/6611
24/127

1,756,356 A * 4/1930 Hill B65D 5/6611
24/127

1,808,216 A * 6/1931 Friedman B65D 55/06
292/307 R

2,104,828 A * 1/1938 Brinnon B65D 5/48048

206/278

2,339,691 A * 1/1944 Fellowes B42F 17/02

229/125.38

D218,677 S * 9/1970 Biallo D9/423

(Continued)

Primary Examiner — Lauren R Calve

(74) *Attorney, Agent, or Firm* — Ziegler IP Law Group, LLC

(57) **CLAIM**

The ornamental design for a box for eye pencil, as shown and described.

DESCRIPTION

FIG. 1 is a perspective view of a box for eye pencil showing the new design;

FIG. 2 is a perspective view of FIG. 1 in a partially open state;

FIG. 3 is a top view of FIG. 1;

FIG. 4 is a back view of FIG. 1;

FIG. 5 is a side view of FIG. 1;

FIG. 6 is another side view of FIG. 1;

FIG. 7 is an end view of FIG. 1;

FIG. 8 is another end view of FIG. 1;

FIG. 9 is a perspective view of FIG. 1 in an open state;

FIG. 10 is a perspective view of a second embodiment of a box for eye pencil showing the new design;

FIG. 11 is a perspective view of FIG. 10 in a partially open state;

FIG. 12 is a top view of FIG. 10;

FIG. 13 is a back view of FIG. 10;

FIG. 14 is a side view of FIG. 10;

FIG. 15 is another side view of FIG. 10;

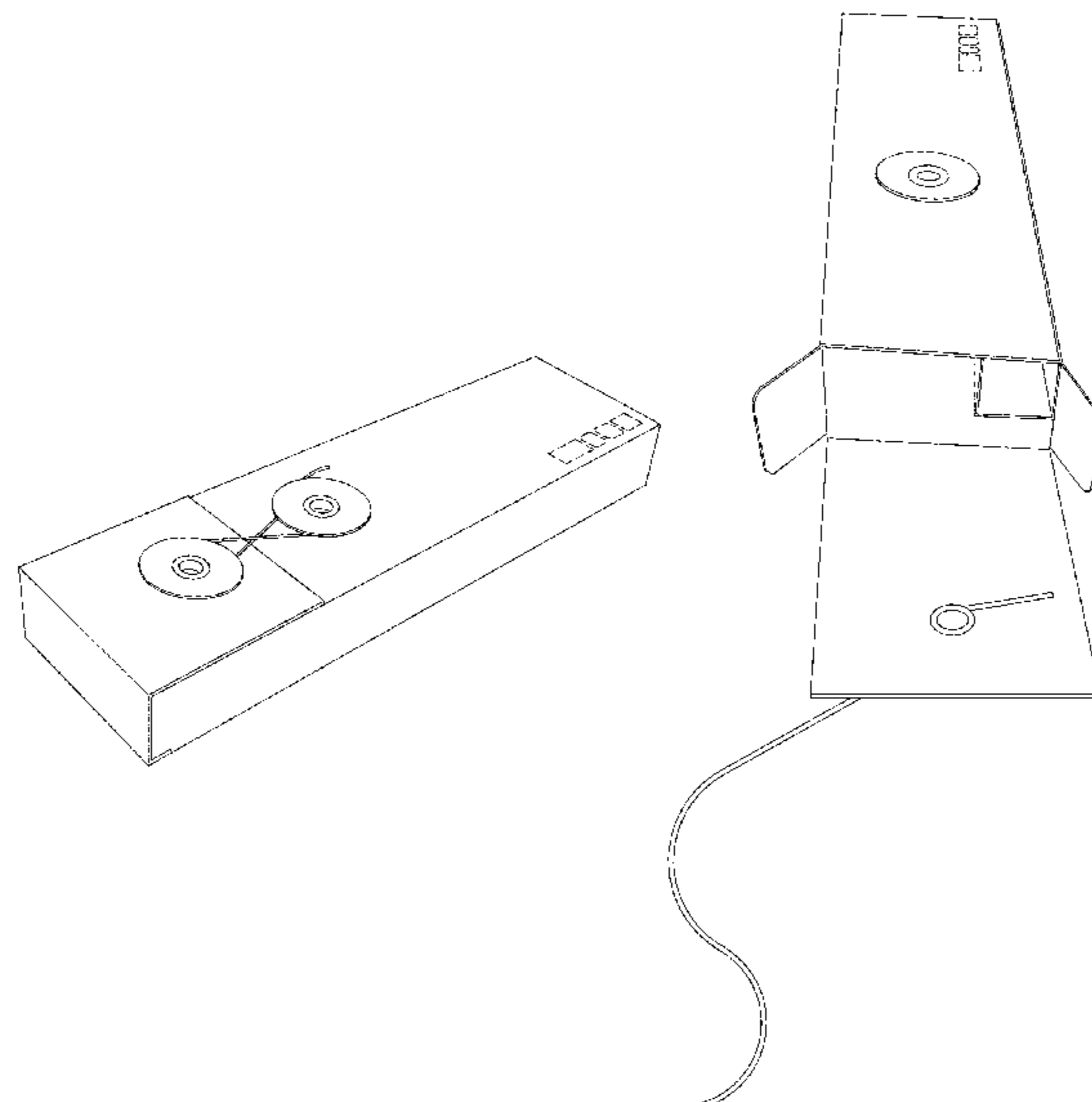
FIG. 16 is an end view of FIG. 10;

FIG. 17 is another end view of FIG. 10; and,

FIG. 18 is a perspective view of FIG. 10 in an open state.

The environmental structure shown with broken lines in the drawings forms no part of the claimed design.

1 Claim, 18 Drawing Sheets



(56)

References Cited

U.S. PATENT DOCUMENTS

4,927,074 A * 5/1990 LaRue B65D 5/42
229/102
5,348,219 A * 9/1994 Brintazzoli B65D 5/723
206/497
5,630,546 A * 5/1997 Velch B65D 5/4208
206/425
D850,905 S * 6/2019 Mitten D9/420
D865,515 S * 11/2019 McKenzie D9/432
D866,311 S * 11/2019 Ito D9/416
2013/0068648 A1 * 3/2013 Hobbs B42F 7/08
206/425
2014/0311933 A1 * 10/2014 Kuehn B42F 7/04
206/425

* cited by examiner

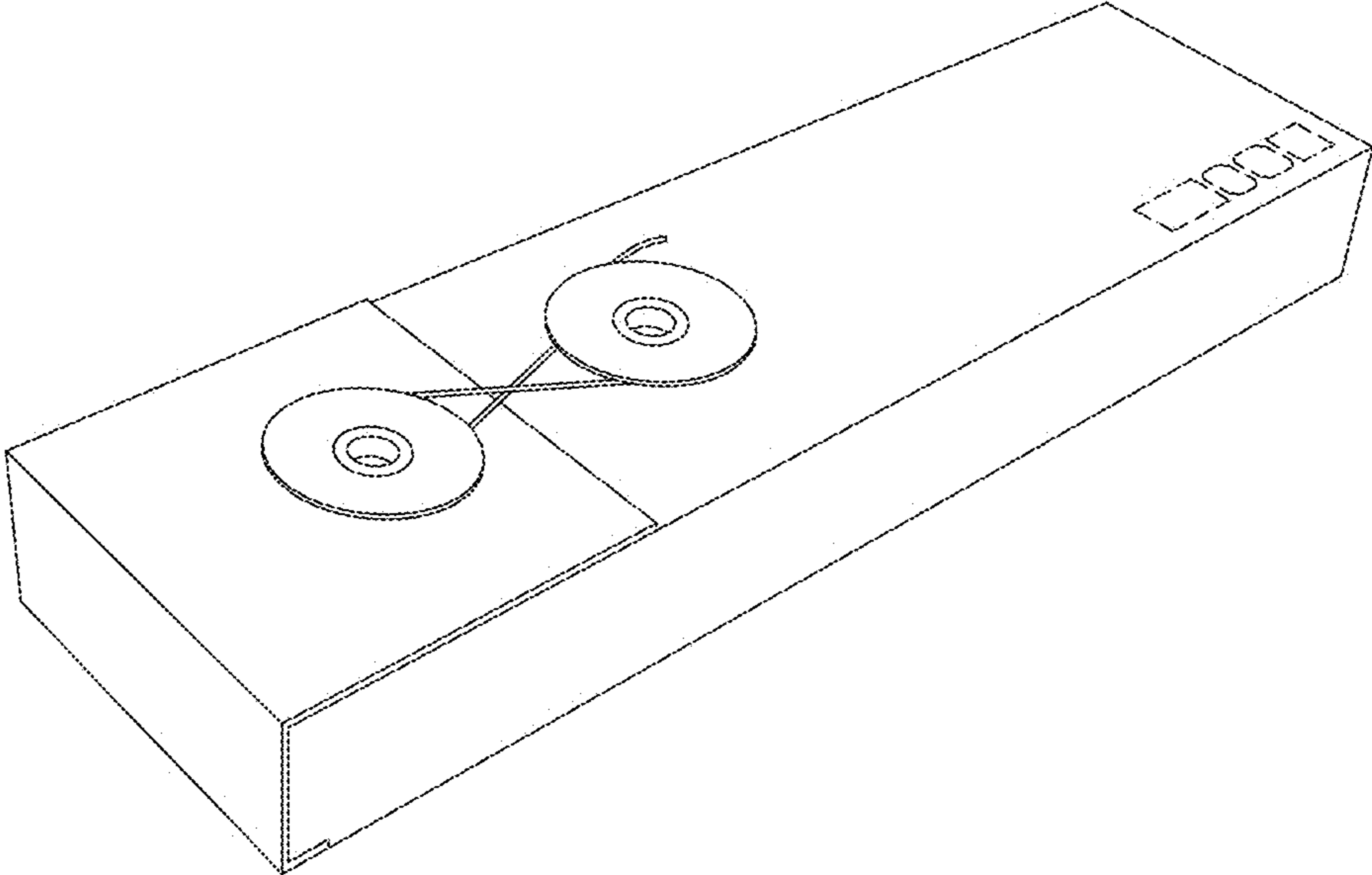


Fig. 1

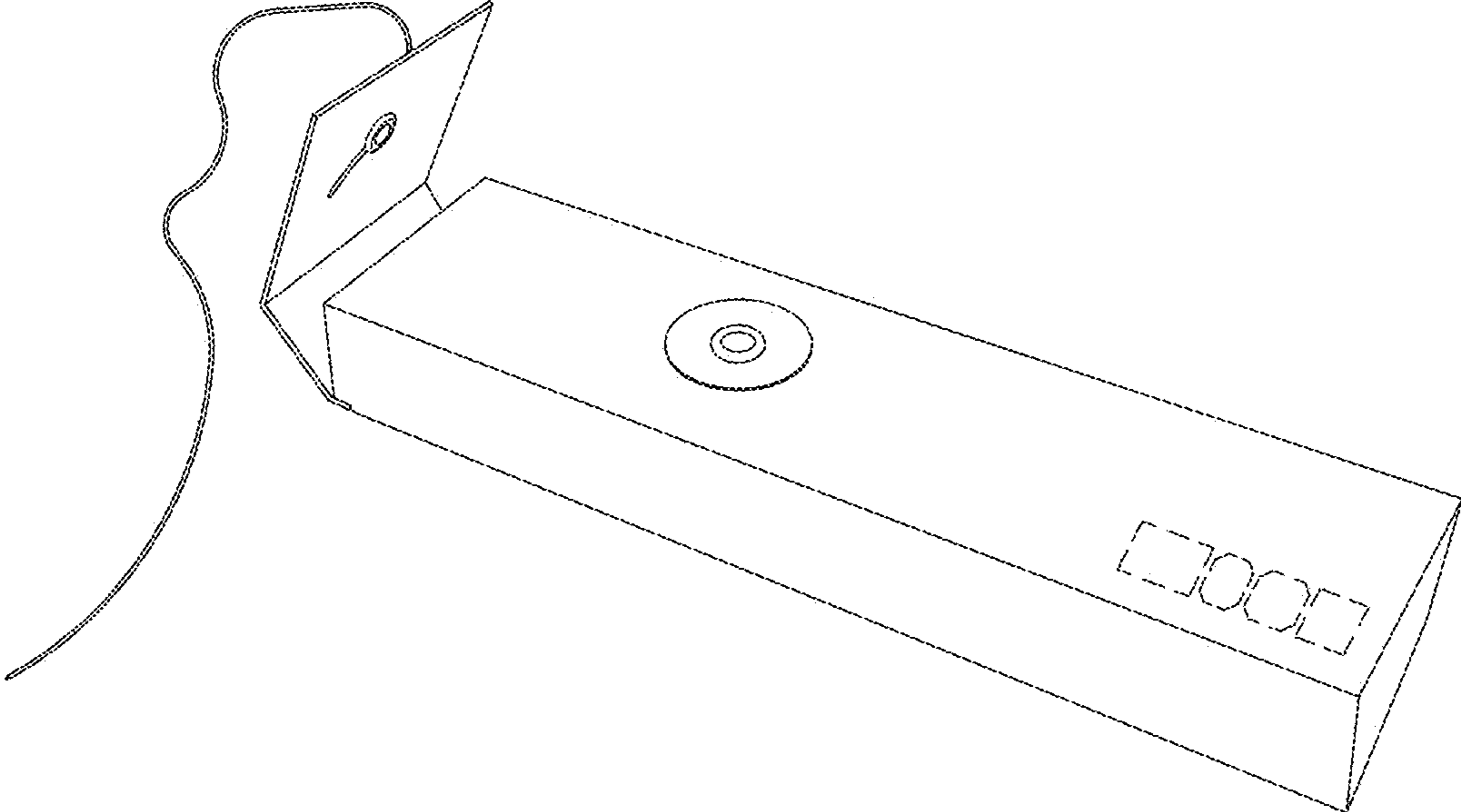


Fig. 2

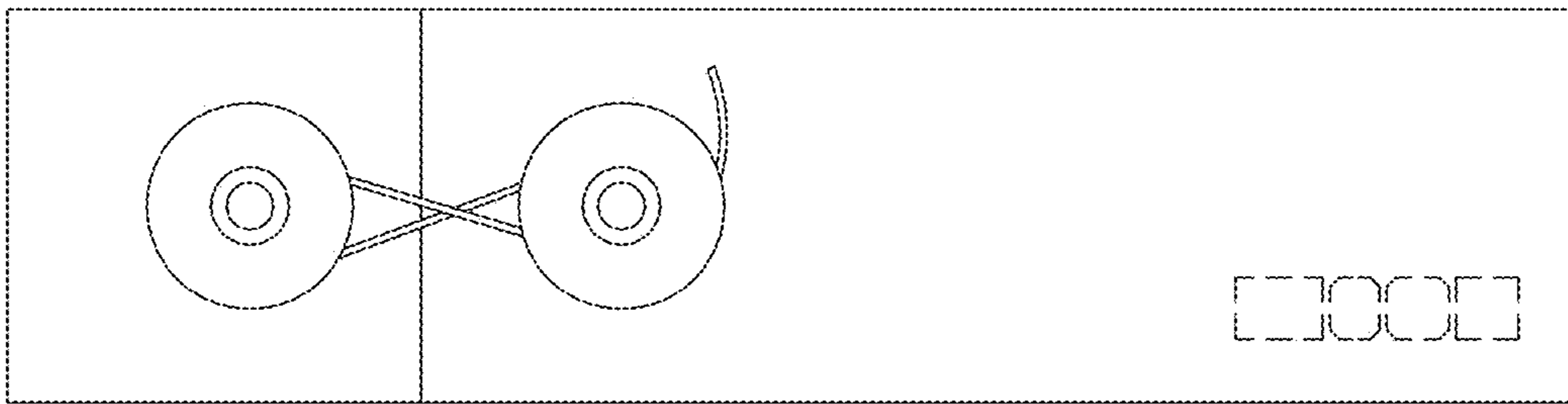


Fig. 3

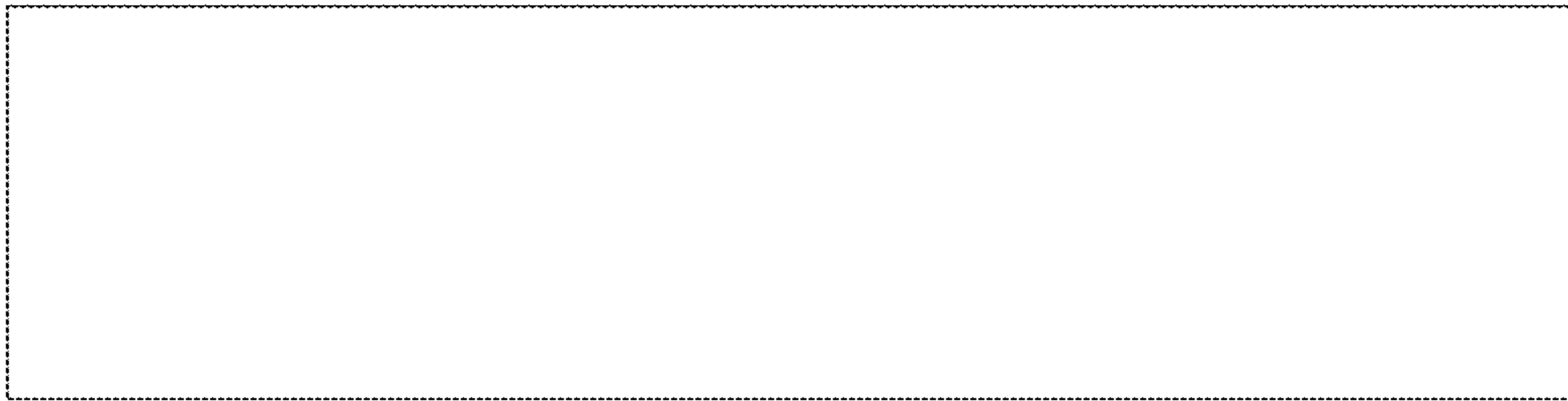


Fig. 4

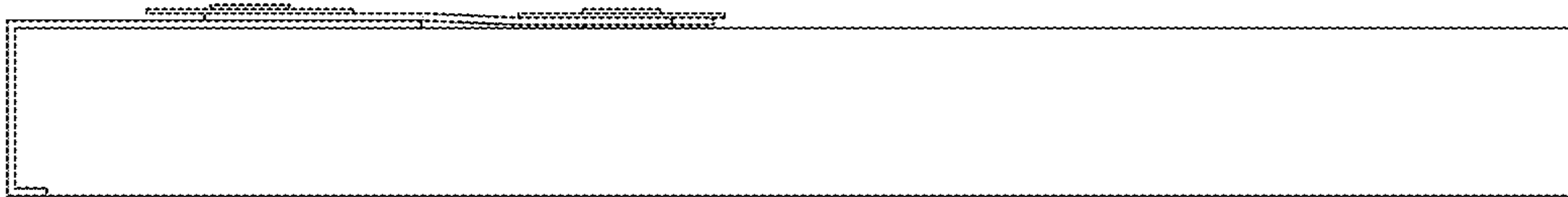


Fig. 5

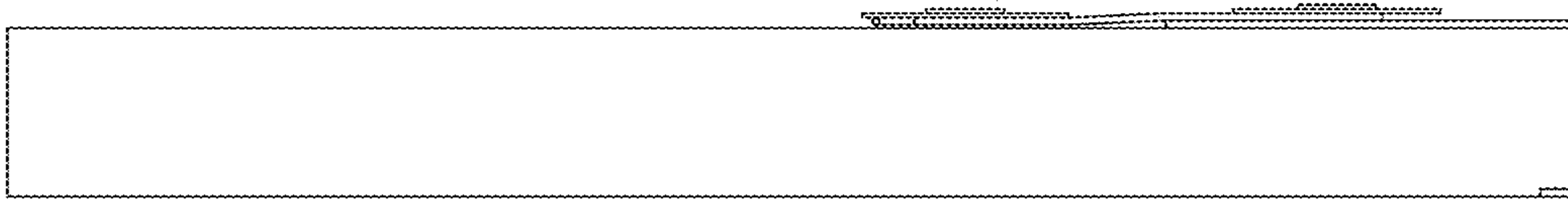


Fig. 6



Fig. 7

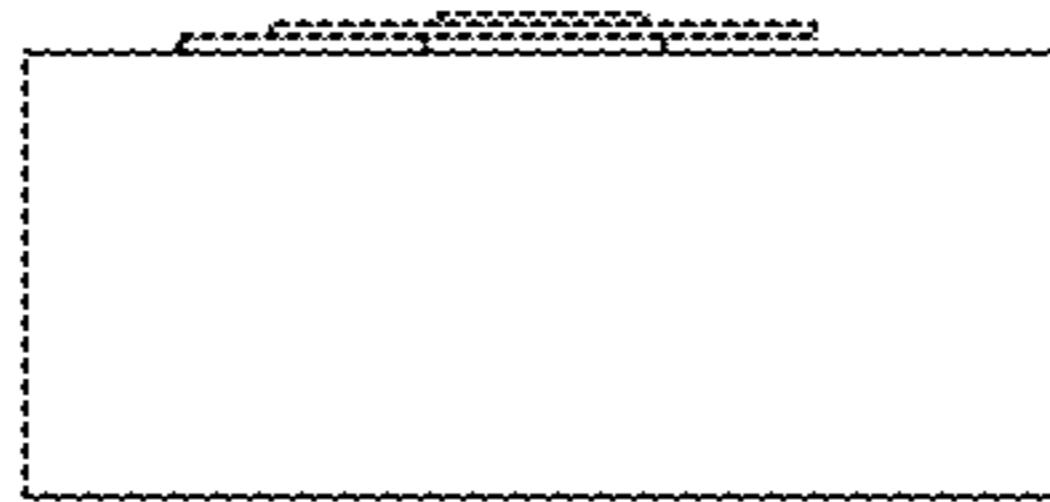


Fig. 8

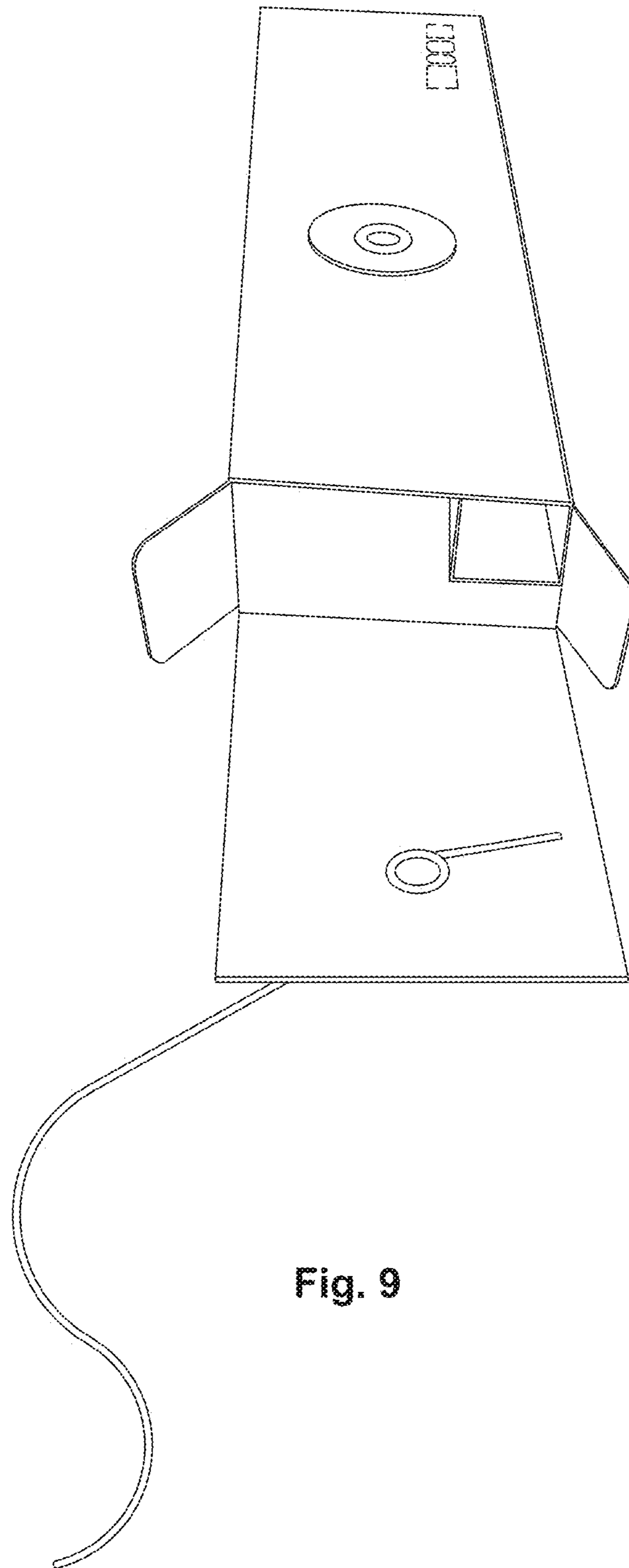


Fig. 9

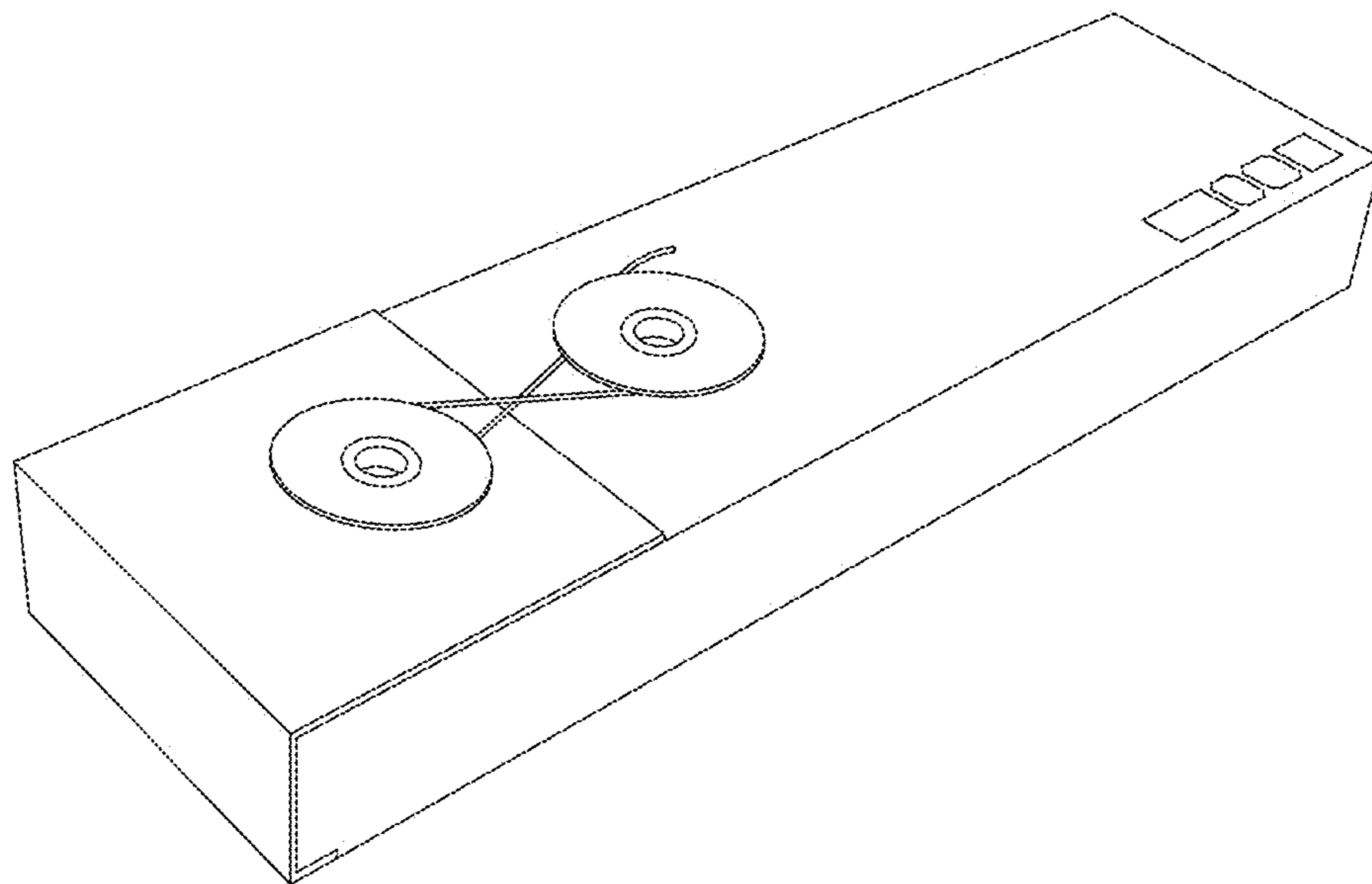


Fig. 10

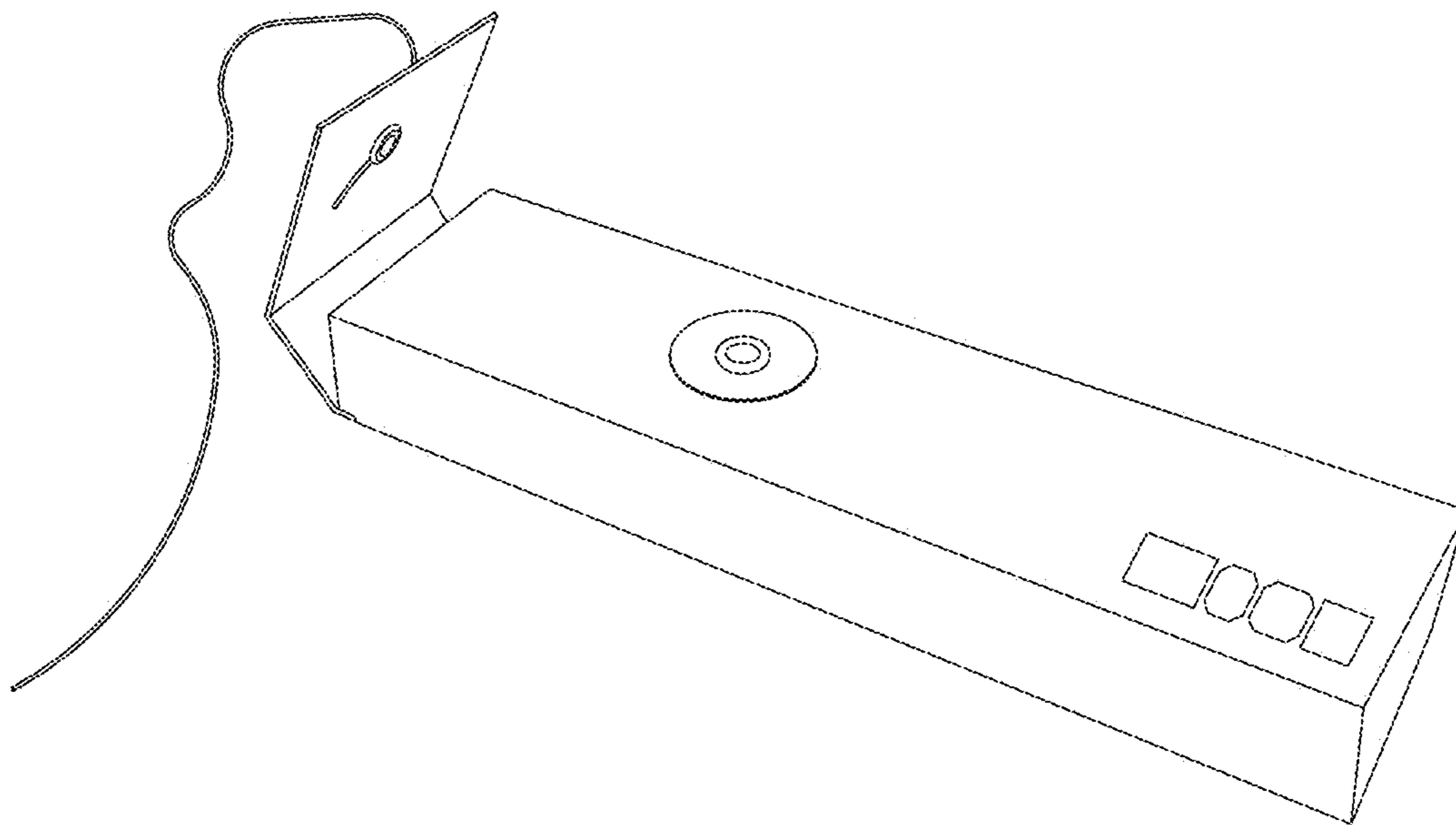


Fig. 11

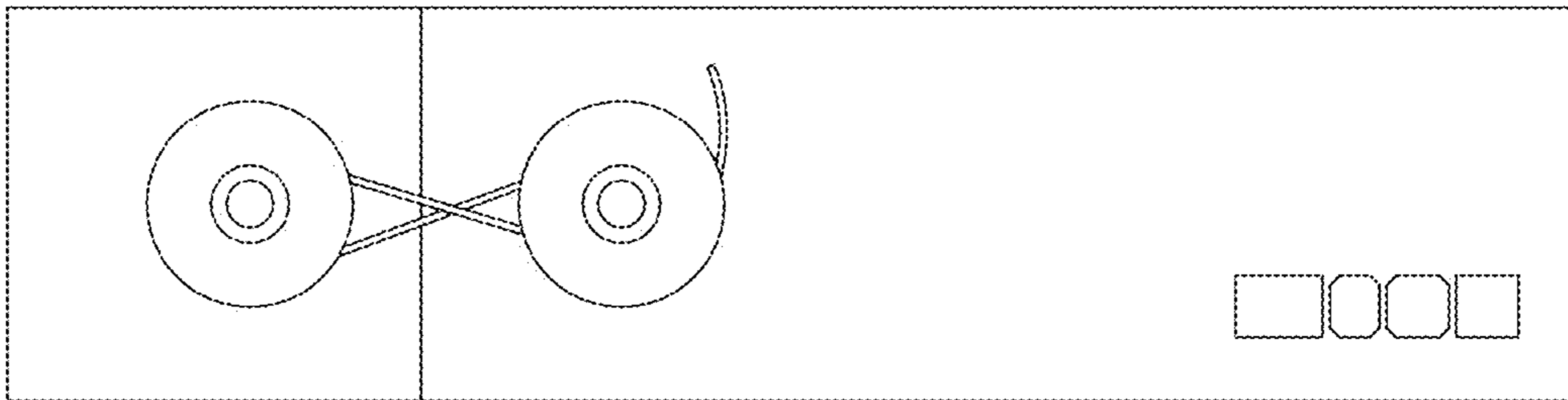


Fig. 12

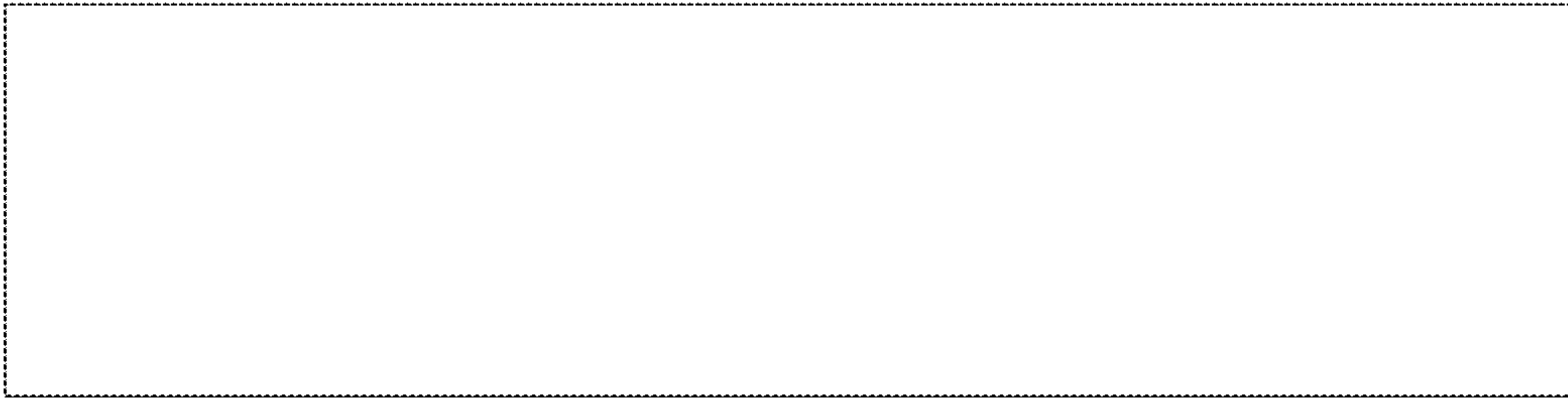


Fig. 13

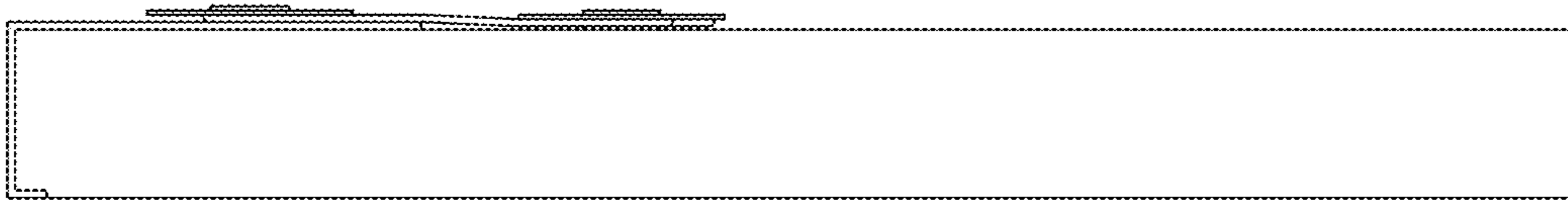


Fig. 14

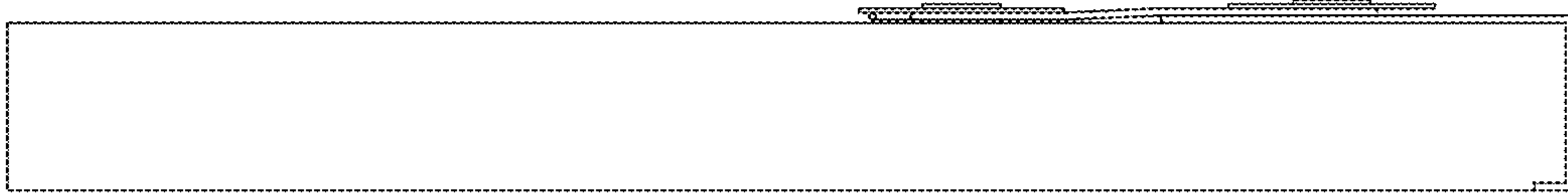


Fig. 15

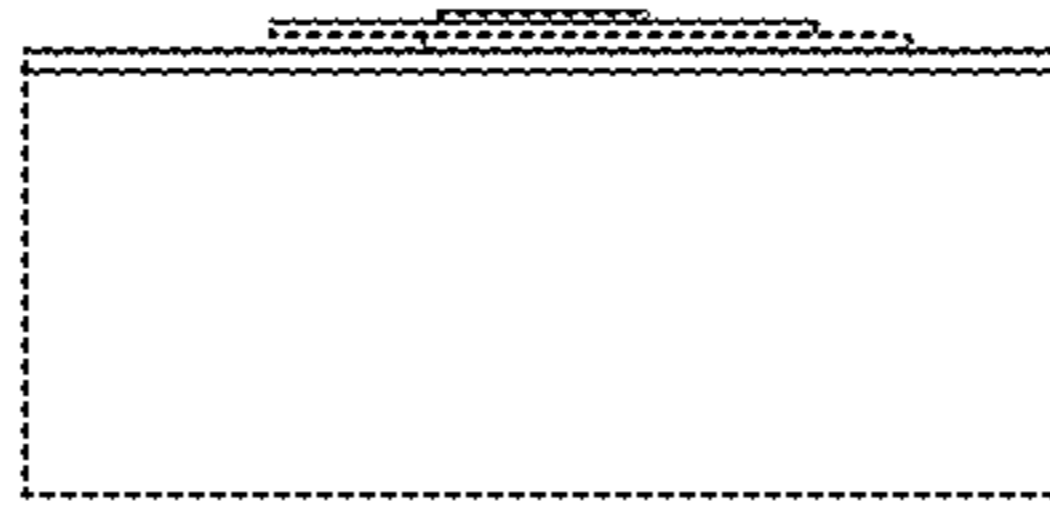


Fig. 16

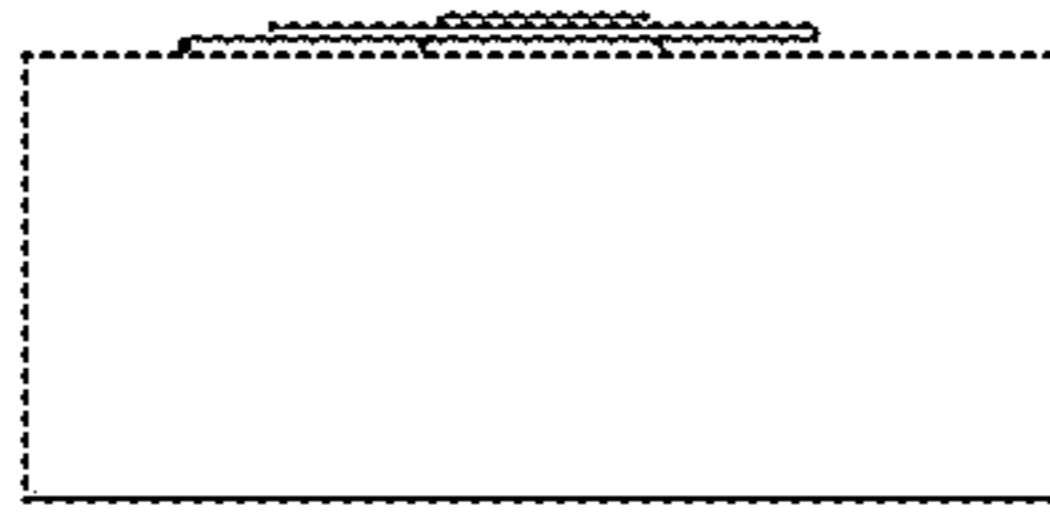


Fig. 17

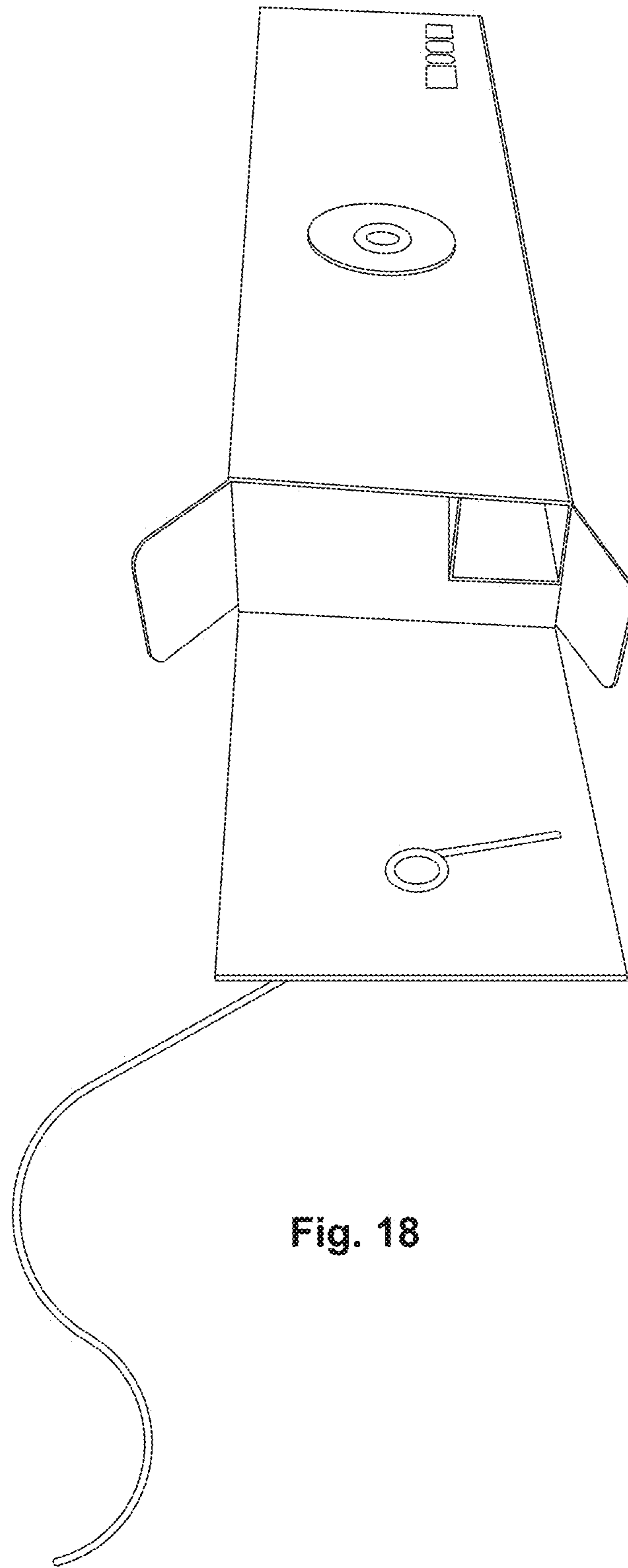


Fig. 18