



US00D905548S

(12) **United States Design Patent**  
**Henry et al.**

(10) **Patent No.:** **US D905,548 S**

(45) **Date of Patent:** **\*\* Dec. 22, 2020**

(54) **CONTAINER**

(71) Applicant: **Skip Hop, Inc.**, New York, NY (US)

(72) Inventors: **Lou Henry**, Scarsdale, NY (US); **Chris Mellen**, Yonkers, NY (US)

(73) Assignee: **Skip Hop, Inc.**, New York, NY (US)

(\*\*) Term: **15 Years**

(21) Appl. No.: **29/700,500**

(22) Filed: **Aug. 2, 2019**

(51) **LOC (12) Cl.** ..... **09-03**

(52) **U.S. Cl.**  
USPC ..... **D9/425; D7/602**

(58) **Field of Classification Search**  
USPC ..... D7/601, 602, 629, 630; D9/414, 424,  
D9/425-429, 430, 432, 761  
CPC . B65D 1/26; B65D 1/40; B65D 5/243; B65D  
81/3453; B65D 2581/34; B65D  
2581/3404; B65D 2581/3456  
See application file for complete search history.

(56) **References Cited**

**U.S. PATENT DOCUMENTS**

D272,595 S *	2/1984	Chase	.....	D7/629
D514,931 S *	2/2006	Snedden	.....	D9/418
D627,218 S *	11/2010	Golota	.....	D9/424
D628,479 S *	12/2010	Snedden	.....	D9/431
D651,470 S *	1/2012	Henderson	.....	D7/554.3
D672,612 S *	12/2012	Stamper	.....	D7/602
D741,706 S *	10/2015	Astorga	.....	D9/425

D766,079 S *	9/2016	Shiffer	.....	D9/428
D848,256 S *	5/2019	Tempel	.....	D9/425
D869,955 S *	12/2019	Kilduff	.....	D9/560
2003/0222089 A1 *	12/2003	Hale	.....	B65D 85/8043 220/574
2009/0120937 A1 *	5/2009	Vovan	.....	B65D 43/0206 220/266

\* cited by examiner

*Primary Examiner* — Lauren R Calve

(74) *Attorney, Agent, or Firm* — Greenberg Traurig, LLP

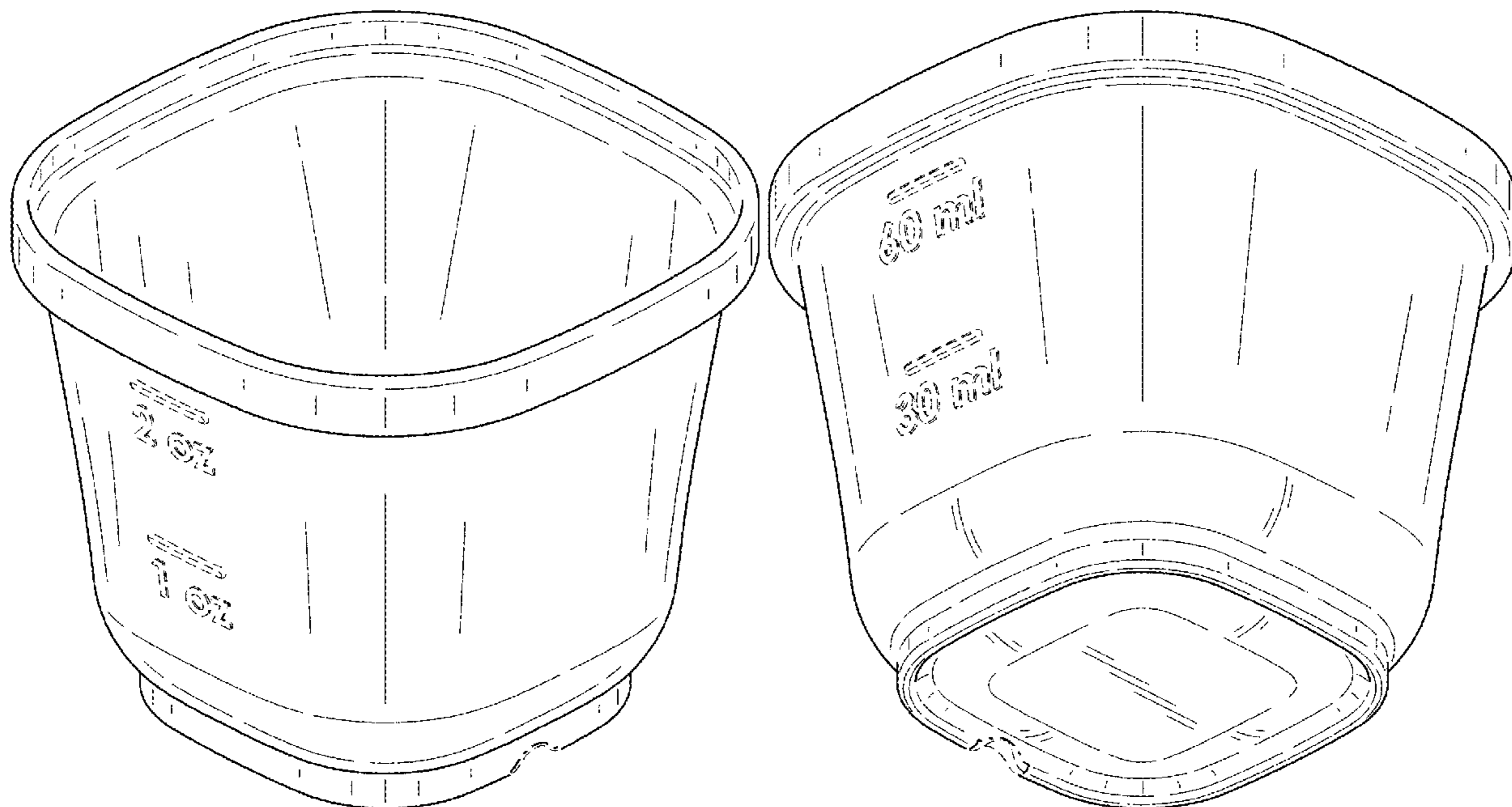
(57) **CLAIM**

We claim the ornamental design for a container, as shown and described.

**DESCRIPTION**

FIG. 1 is a top perspective view of a container showing our new design;  
FIG. 2 is a bottom perspective view thereof;  
FIG. 3 is a front view thereof;  
FIG. 4 is a rear view thereof;  
FIG. 5 is a right side view thereof;  
FIG. 6 is a left side view thereof;  
FIG. 7 is a top view thereof;  
FIG. 8 is a bottom view thereof; and,  
FIG. 9 is a cross-sectional view thereof taken along line 9-9 in FIG. 7.  
The features shown in dashed lines in the drawings form no part of the claimed design.

**1 Claim, 7 Drawing Sheets**



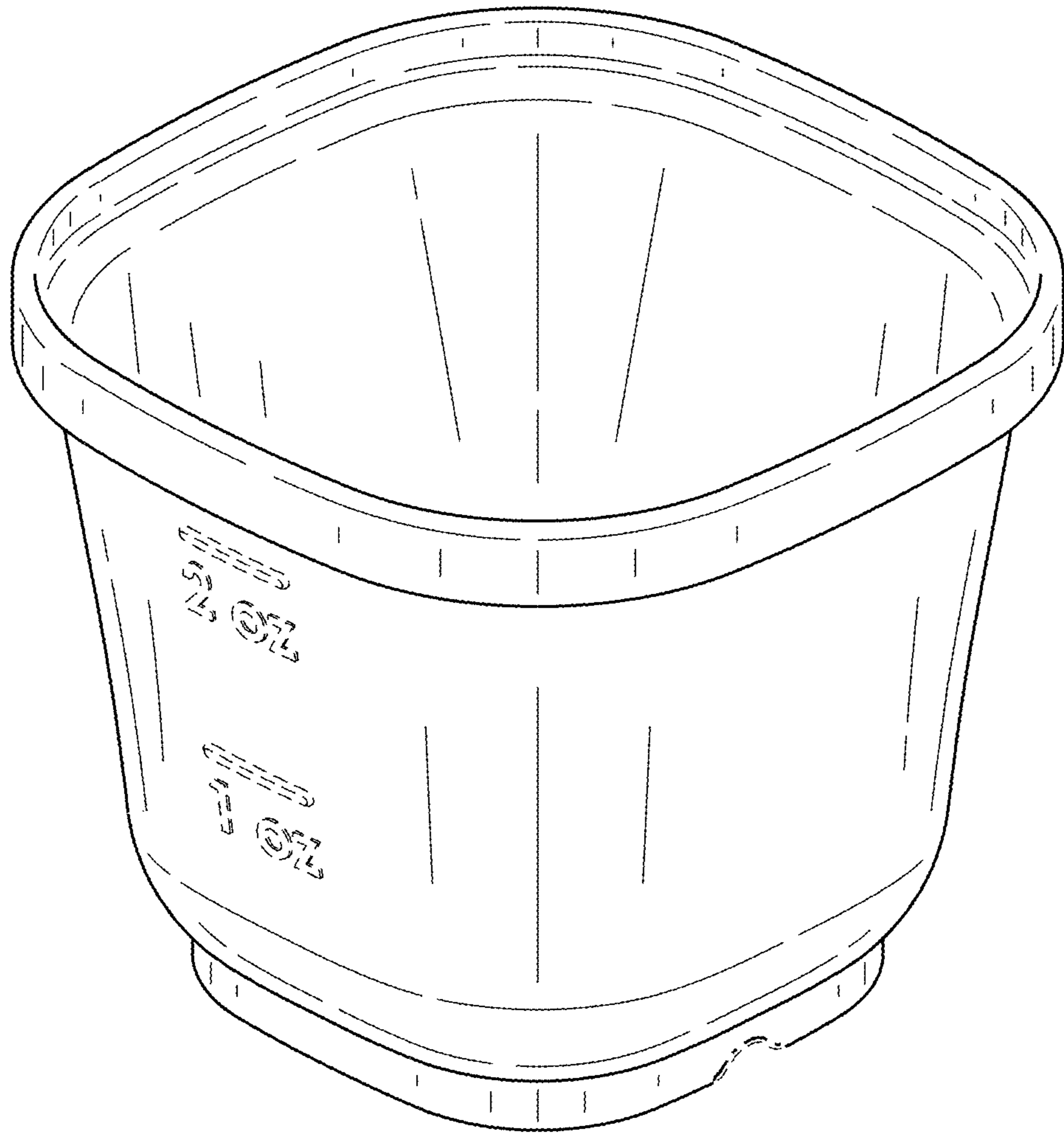


FIG. 1

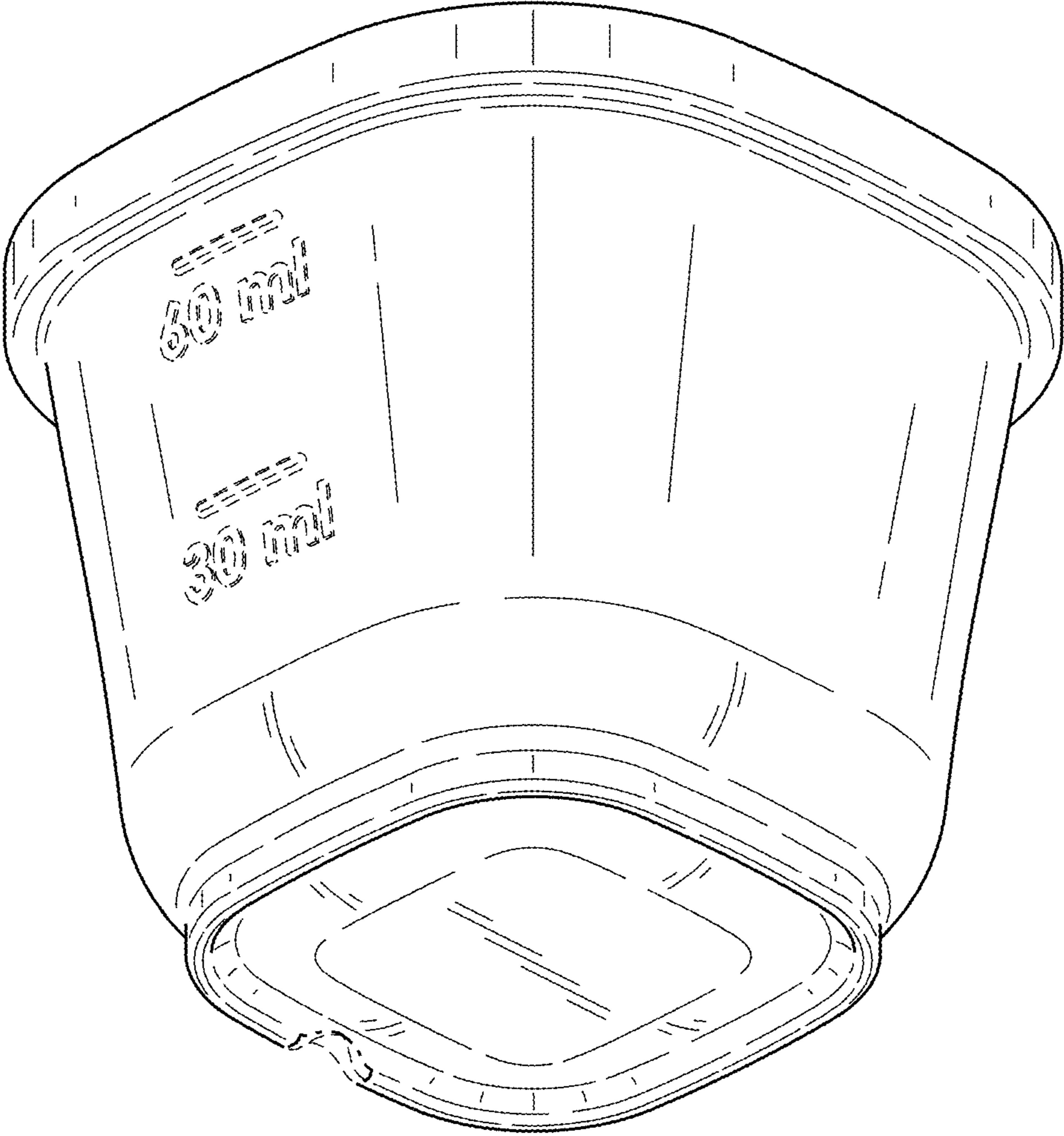


FIG. 2

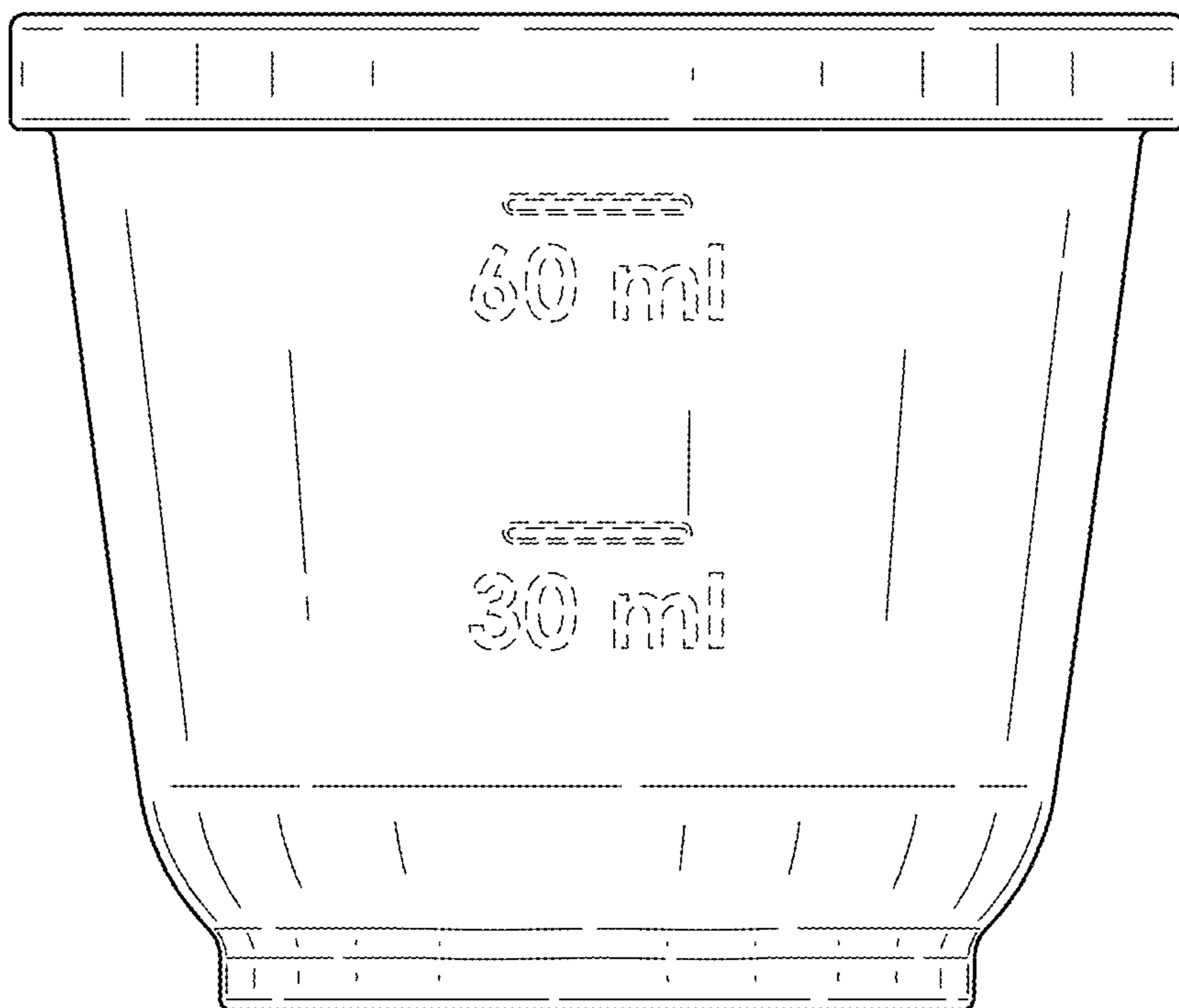
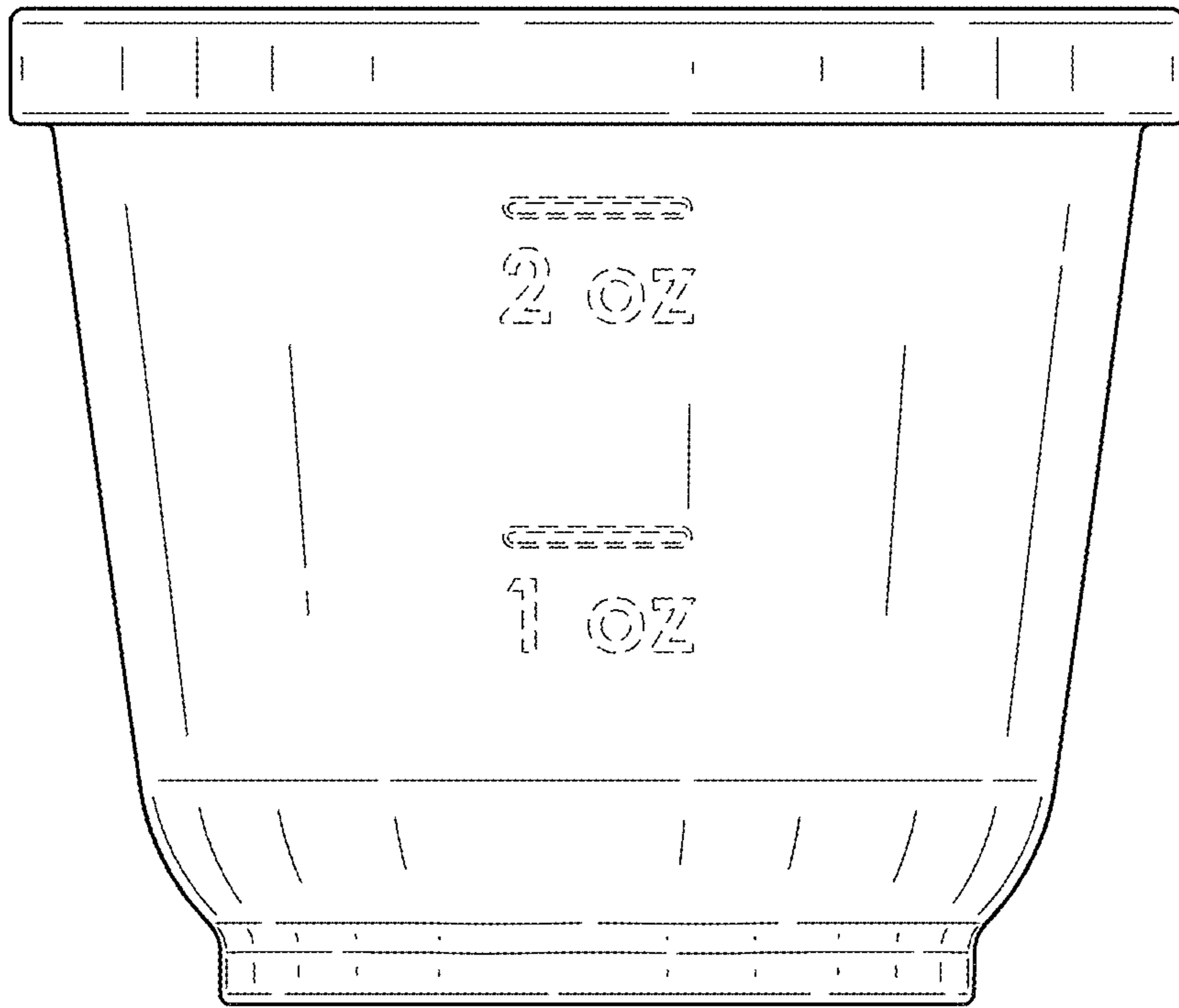


FIG. 4

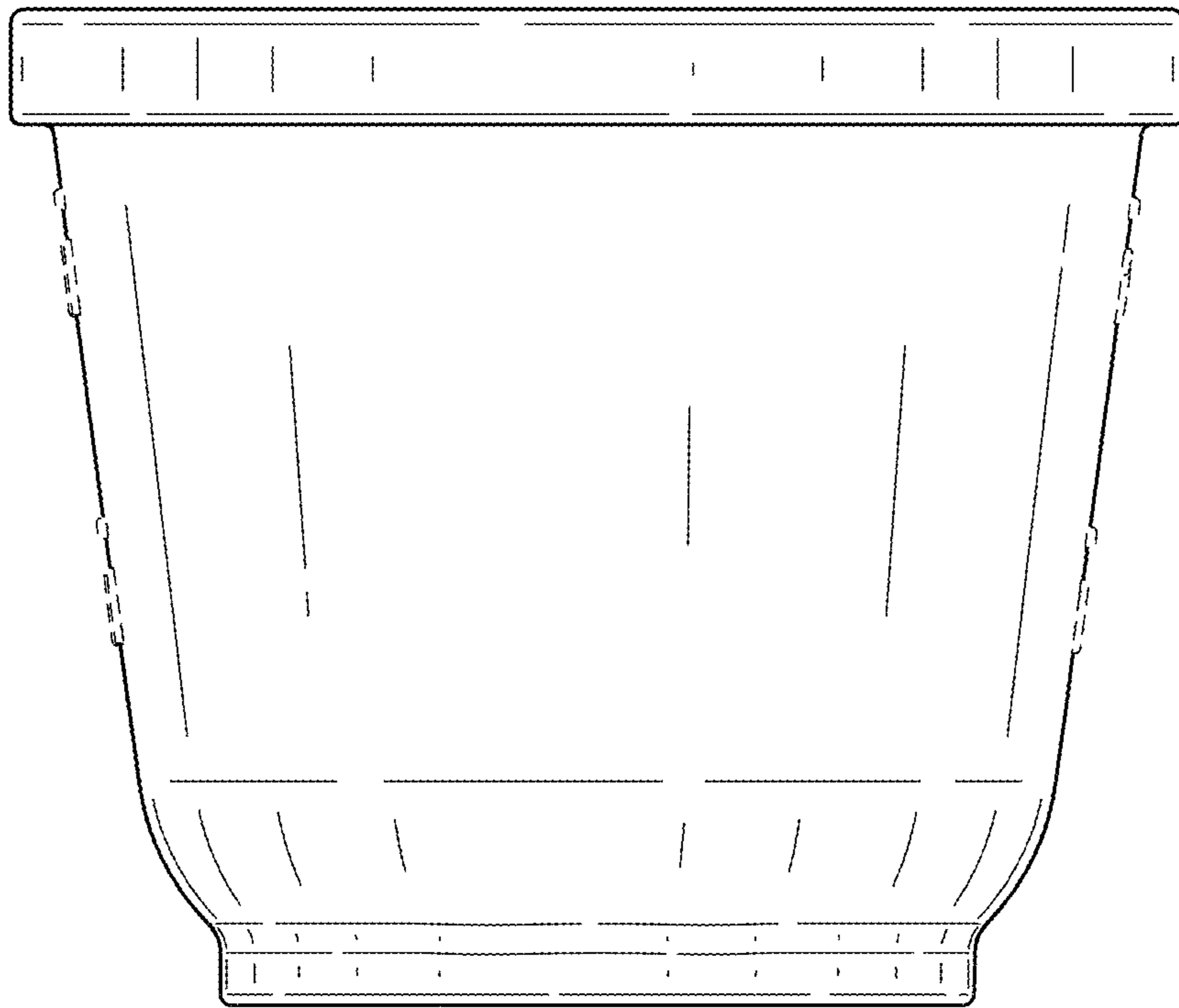


FIG. 5

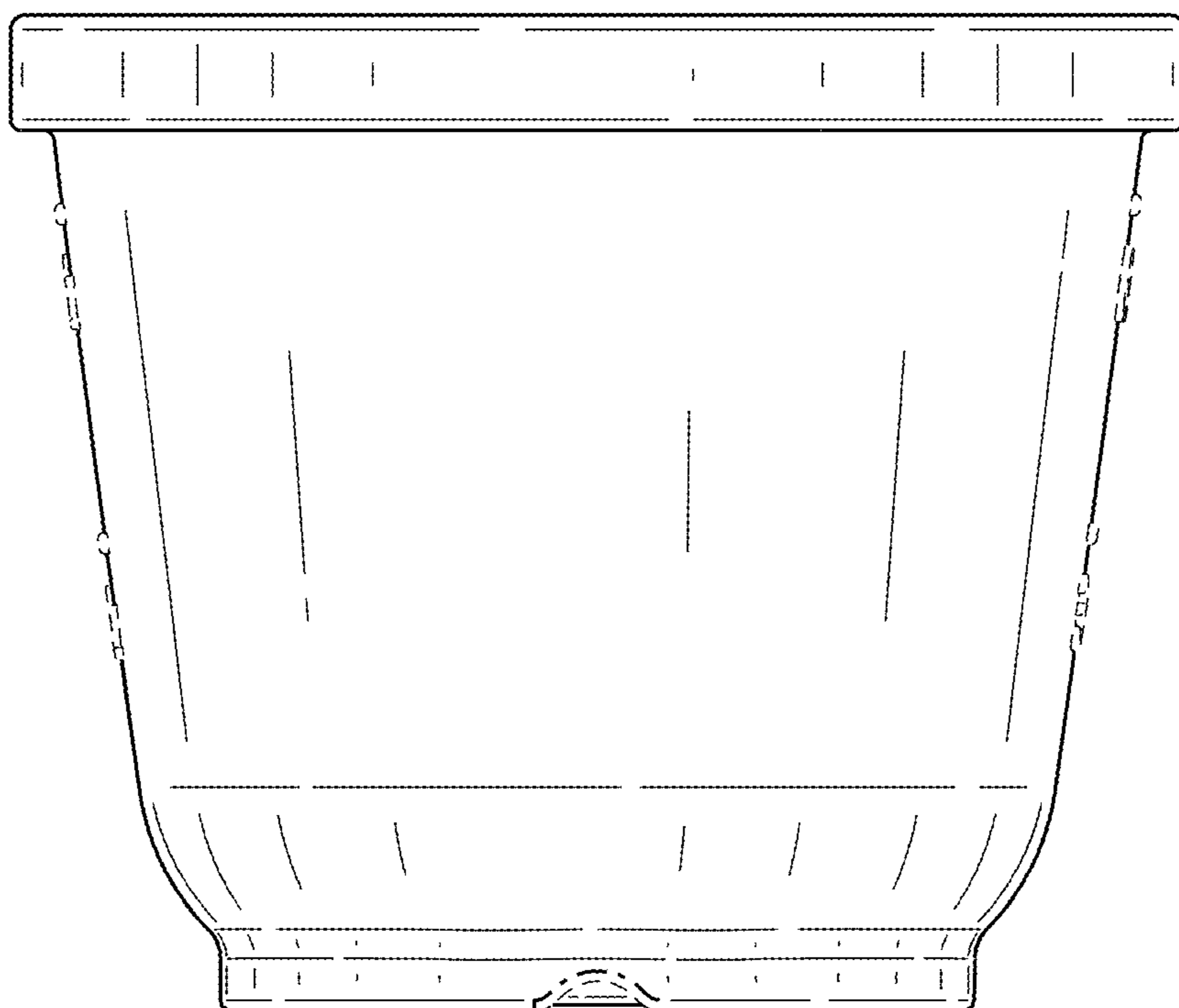


FIG. 6



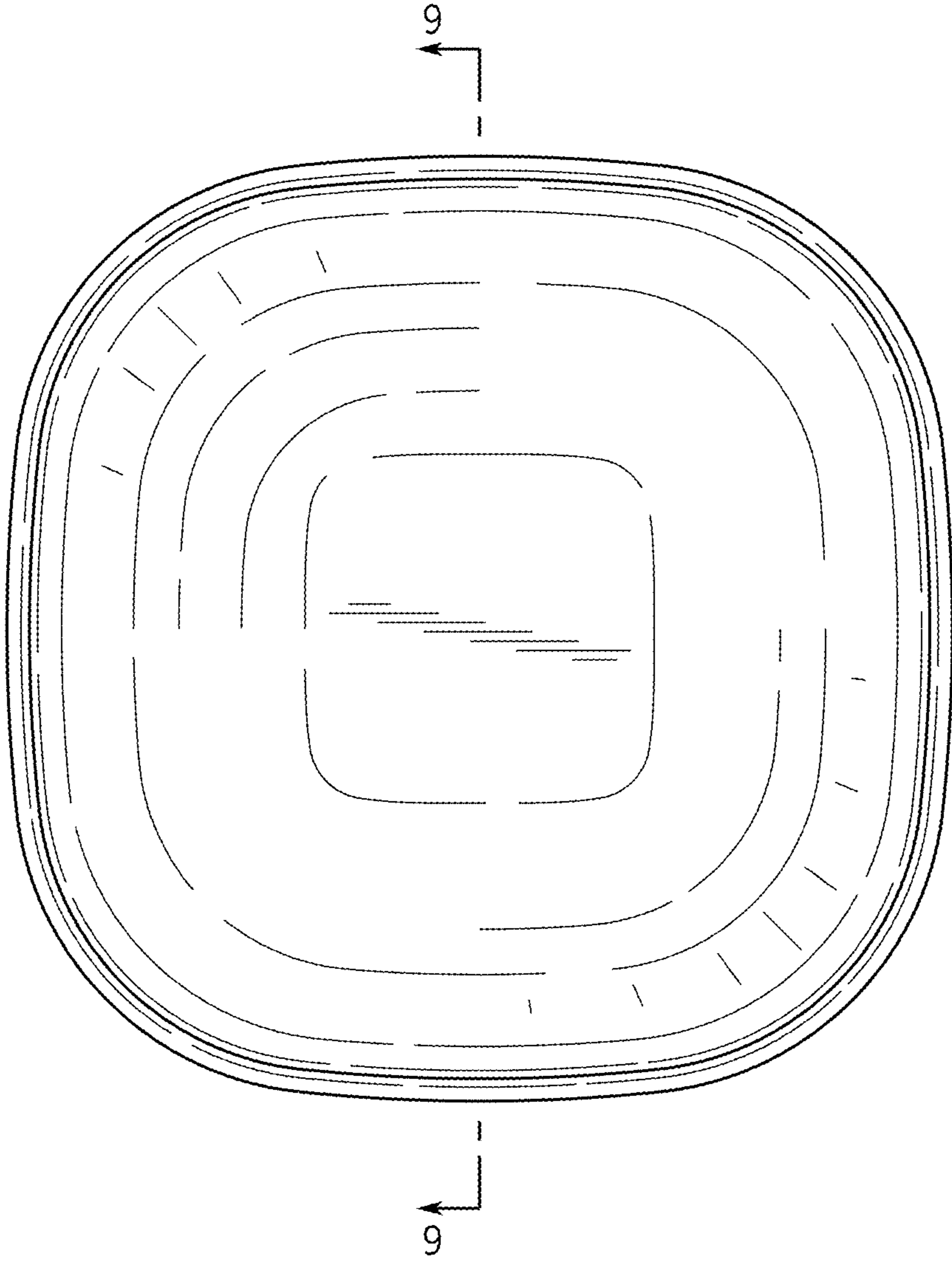


FIG. 7

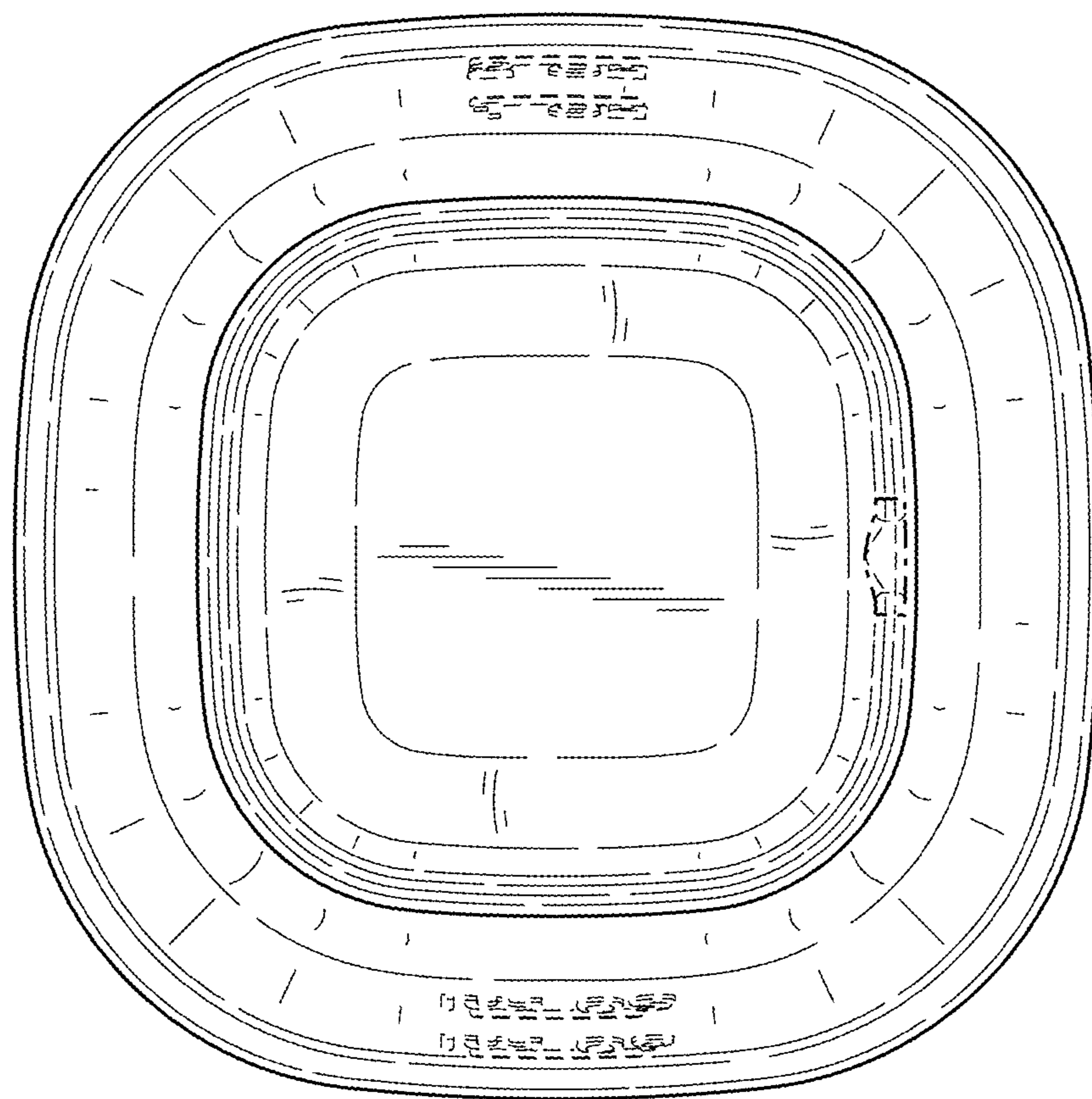


FIG. 8

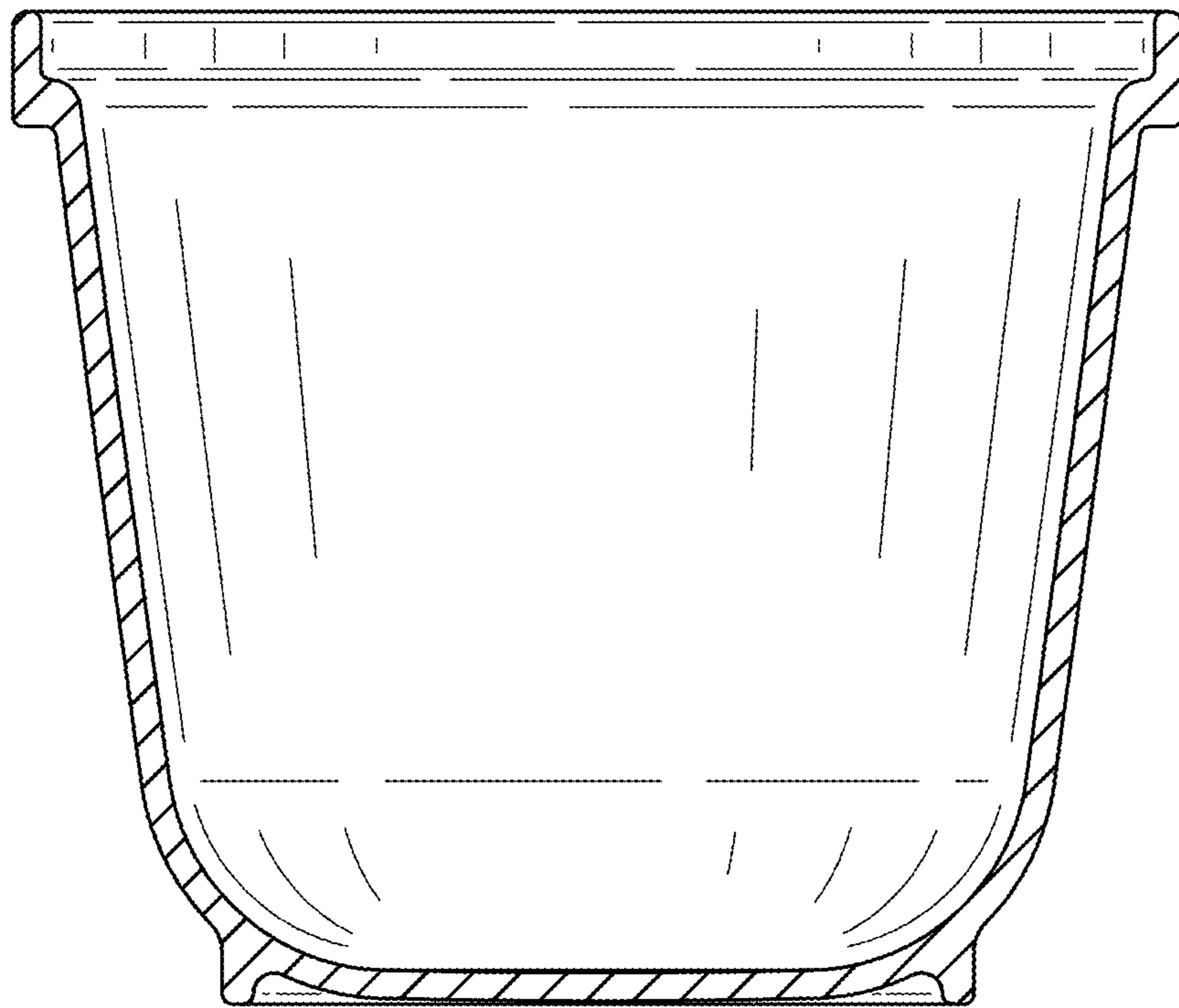


FIG. 9