



US00D905547S

(12) **United States Design Patent**
Campion

(10) **Patent No.:** **US D905,547 S**
(45) **Date of Patent:** **** Dec. 22, 2020**

(54) **SCREW HEAD CAP**

(71) Applicant: **The Campion Innovation Company Pty Ltd**, Norlane West (AU)

(72) Inventor: **Charles R. Campion**, Norlane West (AU)

(73) Assignee: **The Campion Innovation Company Pty Ltd**, Victoria (AU)

(**) Term: **15 Years**

(21) Appl. No.: **29/686,242**

(22) Filed: **Apr. 3, 2019**

(51) **LOC (12) Cl.** **08-08**

(52) **U.S. Cl.**
USPC **D8/397**

(58) **Field of Classification Search**
USPC D8/382, 349, 397, 394

(Continued)

(56) **References Cited**

U.S. PATENT DOCUMENTS

D136,217 S * 8/1943 Lyons D8/368
D150,116 S * 7/1948 Elkins D8/391

(Continued)

Primary Examiner — Cynthia R Underwood

(74) *Attorney, Agent, or Firm* — Dinsmore & Shohl, LLP

(57) **CLAIM**

I claim the ornamental design for a screw head cap, as shown and described.

DESCRIPTION

FIG. 1 is a front upper perspective view of a screw head cap according to a first embodiment of the present design; FIG. 2 is a rear lower perspective view of the screw head cap of FIG. 1;

FIG. 3 is a front elevation view of the screw head cap of FIG. 1;

FIG. 4 is a rear elevation view of the screw head cap of FIG. 1;

FIG. 5 is a left elevation view of the screw head cap of FIG. 1;

FIG. 6 is a right elevation view of the screw head cap of FIG. 1;

FIG. 7 is a top view of the screw head cap of FIG. 1;

FIG. 8 is a bottom view of the screw head cap of FIG. 1;

FIG. 9 is a front upper perspective view of a screw head cap according to a second embodiment of the present design;

FIG. 10 is a rear lower perspective view of the screw head cap of FIG. 9;

FIG. 11 is a front elevation view of the screw head cap of FIG. 9;

FIG. 12 is a rear elevation view of the screw head cap of FIG. 9;

FIG. 13 is a left elevation view of the screw head cap of FIG. 9;

FIG. 14 is a right elevation view of the screw head cap of FIG. 9;

FIG. 15 is a top view of the screw head cap of FIG. 9;

FIG. 16 is a bottom view of the screw head cap of FIG. 9;

FIG. 17 is a front upper perspective view of a screw head cap according to a third embodiment of the present design;

FIG. 18 is a rear lower perspective view of the screw head cap of FIG. 17;

FIG. 19 is a front elevation view of the screw head cap of FIG. 17;

FIG. 20 is a rear elevation view of the screw head cap of FIG. 17;

FIG. 21 is a left elevation view of the screw head cap of FIG. 17;

FIG. 22 is a right elevation view of the screw head cap of FIG. 17;

FIG. 23 is a top view of the screw head cap of FIG. 17;

FIG. 24 is a bottom view of the screw head cap of FIG. 17;

FIG. 25 is a front upper perspective view of a screw head cap according to a fourth embodiment of the present design;

FIG. 26 is a rear lower perspective view of the screw head cap of FIG. 25;

(Continued)

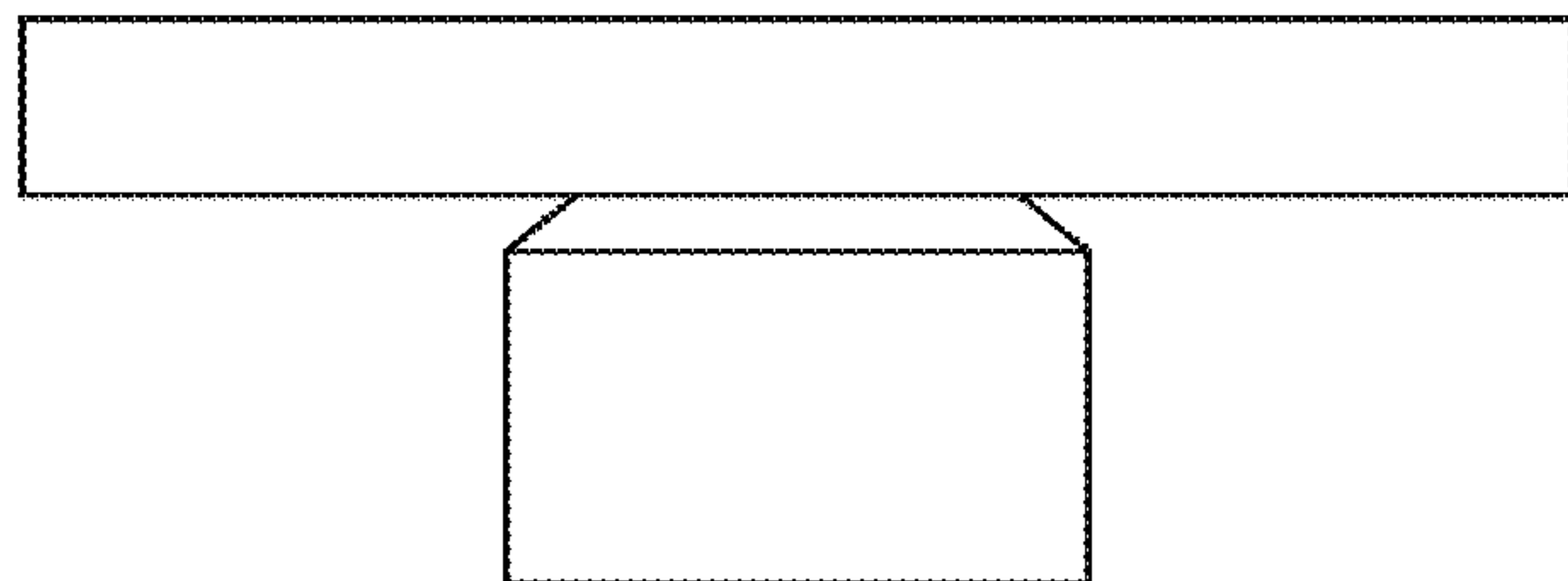
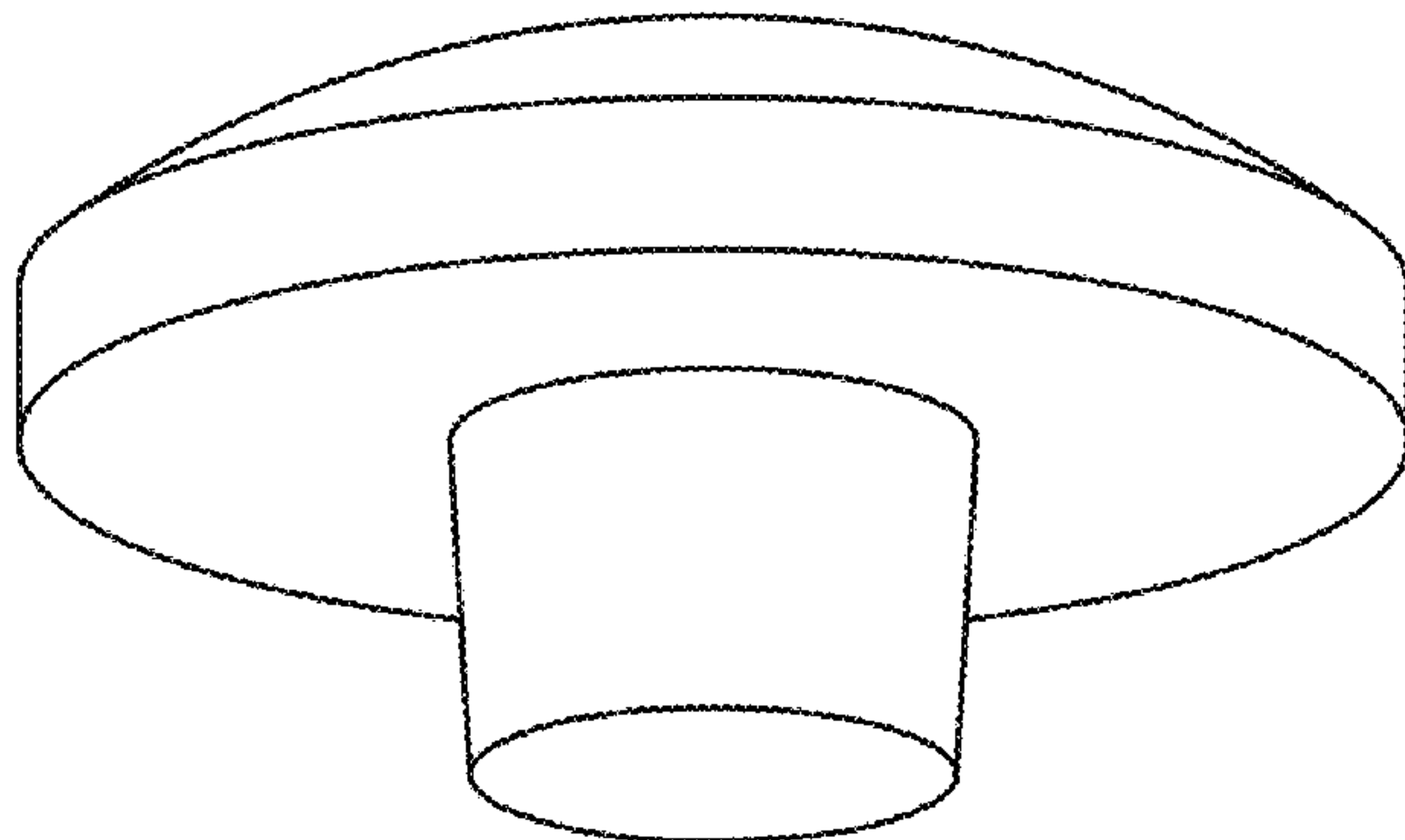


FIG. 27 is a front elevation view of the screw head cap of FIG. 25;
 FIG. 28 is a rear elevation view of the screw head cap of FIG. 25;
 FIG. 29 is a left elevation view of the screw head cap of FIG. 25;
 FIG. 30 is a right elevation view of the screw head cap of FIG. 25;
 FIG. 31 is a top view of the screw head cap of FIG. 25;
 FIG. 32 is a bottom view of the screw head cap of FIG. 25;
 FIG. 33 is a front upper perspective view of a screw head cap according to a fifth embodiment of the present design;
 FIG. 34 is a rear lower perspective view of the screw head cap of FIG. 33;
 FIG. 35 is a front elevation view of the screw head cap of FIG. 33;
 FIG. 36 is a rear elevation view of the screw head cap of FIG. 33;
 FIG. 37 is a left elevation view of the screw head cap of FIG. 33;
 FIG. 38 is a right elevation view of the screw head cap of FIG. 33;
 FIG. 39 is a top view of the screw head cap of FIG. 33;
 FIG. 40 is a bottom view of the screw head cap of FIG. 33;
 FIG. 41 is a front upper perspective view of a screw head cap according to a sixth embodiment of the present design;
 FIG. 42 is a rear lower perspective view of the screw head cap of FIG. 41;
 FIG. 43 is a front elevation view of the screw head cap of FIG. 41;
 FIG. 44 is a rear elevation view of the screw head cap of FIG. 41;
 FIG. 45 is a left elevation view of the screw head cap of FIG. 41;
 FIG. 46 is a right elevation view of the screw head cap of FIG. 41;
 FIG. 47 is a top view of the screw head cap of FIG. 41;
 FIG. 48 is a bottom view of the screw head cap of FIG. 41;
 FIG. 49 is a front upper perspective view of a screw head cap according to a seventh embodiment of the present design;
 FIG. 50 is a rear lower perspective view of the screw head cap of FIG. 49;
 FIG. 51 is a front elevation view of the screw head cap of FIG. 49;
 FIG. 52 is a rear elevation view of the screw head cap of FIG. 49;
 FIG. 53 is a left elevation view of the screw head cap of FIG. 49;
 FIG. 54 is a right elevation view of the screw head cap of FIG. 49;
 FIG. 55 is a top view of the screw head cap of FIG. 49;
 FIG. 56 is a bottom view of the screw head cap of FIG. 49;
 FIG. 57 is a front upper perspective view of a screw head cap according to an eighth embodiment of the present design;
 FIG. 58 is a rear lower perspective view of the screw head cap of FIG. 57;

FIG. 59 is a front elevation view of the screw head cap of FIG. 57;
 FIG. 60 is a rear elevation view of the screw head cap of FIG. 57;
 FIG. 61 is a left elevation view of the screw head cap of FIG. 57;
 FIG. 62 is a right elevation view of the screw head cap of FIG. 57;
 FIG. 63 is a top view of the screw head cap of FIG. 57; and,
 FIG. 64 is a bottom view of the screw head cap of FIG. 57.

1 Claim, 32 Drawing Sheets

(58) **Field of Classification Search**

CPC F16B 37/14
 See application file for complete search history.

(56) **References Cited**

U.S. PATENT DOCUMENTS

D218,226	S *	8/1970	Painaud	D8/499
4,033,243	A *	7/1977	Kirrish	F16B 37/145 411/338
D257,321	S *	10/1980	Voorhees, Jr.	D8/356
5,454,676	A *	10/1995	Conte	A63C 17/0006 411/339
5,769,144	A *	6/1998	Carter	A47H 13/02 160/330
D422,202	S *	4/2000	Maki	D8/387
D426,146	S *	6/2000	Bruns	D8/387
D462,256	S *	9/2002	Jaynes	D12/160
D462,699	S *	9/2002	Johnson	D15/5
D469,006	S *	1/2003	Monson	D8/387
D482,270	S *	11/2003	Derilo	D8/397
D520,866	S *	5/2006	Shirakawa	D8/397
7,740,434	B2 *	6/2010	Kamino	B64D 45/02 244/1 A
D624,875	S *	10/2010	Cowles	D12/607
D627,294	S *	11/2010	Cowles	D12/607
D637,551	S *	5/2011	Tournier	D12/607
D658,478	S *	5/2012	Wall	D8/349
D658,482	S *	5/2012	Pratt	D8/349
D675,561	S *	2/2013	Chou	D12/607
9,138,830	B2 *	9/2015	Mueller	B23K 31/027
9,140,291	B2 *	9/2015	Yoon	B64D 45/02
D785,538	S *	5/2017	Jordan	D12/213
D795,398	S *	8/2017	Decaria	D23/260
9,759,510	B1 *	9/2017	Kempf	F16B 37/145
D805,882	S *	12/2017	Berry	D8/382
D813,027	S *	3/2018	Wright	D8/397
D826,155	S *	8/2018	Baiz	D13/122
D832,184	S *	10/2018	Woolstencroft	D12/400
D885,169	S *	5/2020	Snell	D8/382
2006/0171794	A1 *	8/2006	Ordonio, Jr.	F16B 37/14 411/369
2012/0219380	A1 *	8/2012	Hutter, III	B64D 45/02 411/377

* cited by examiner

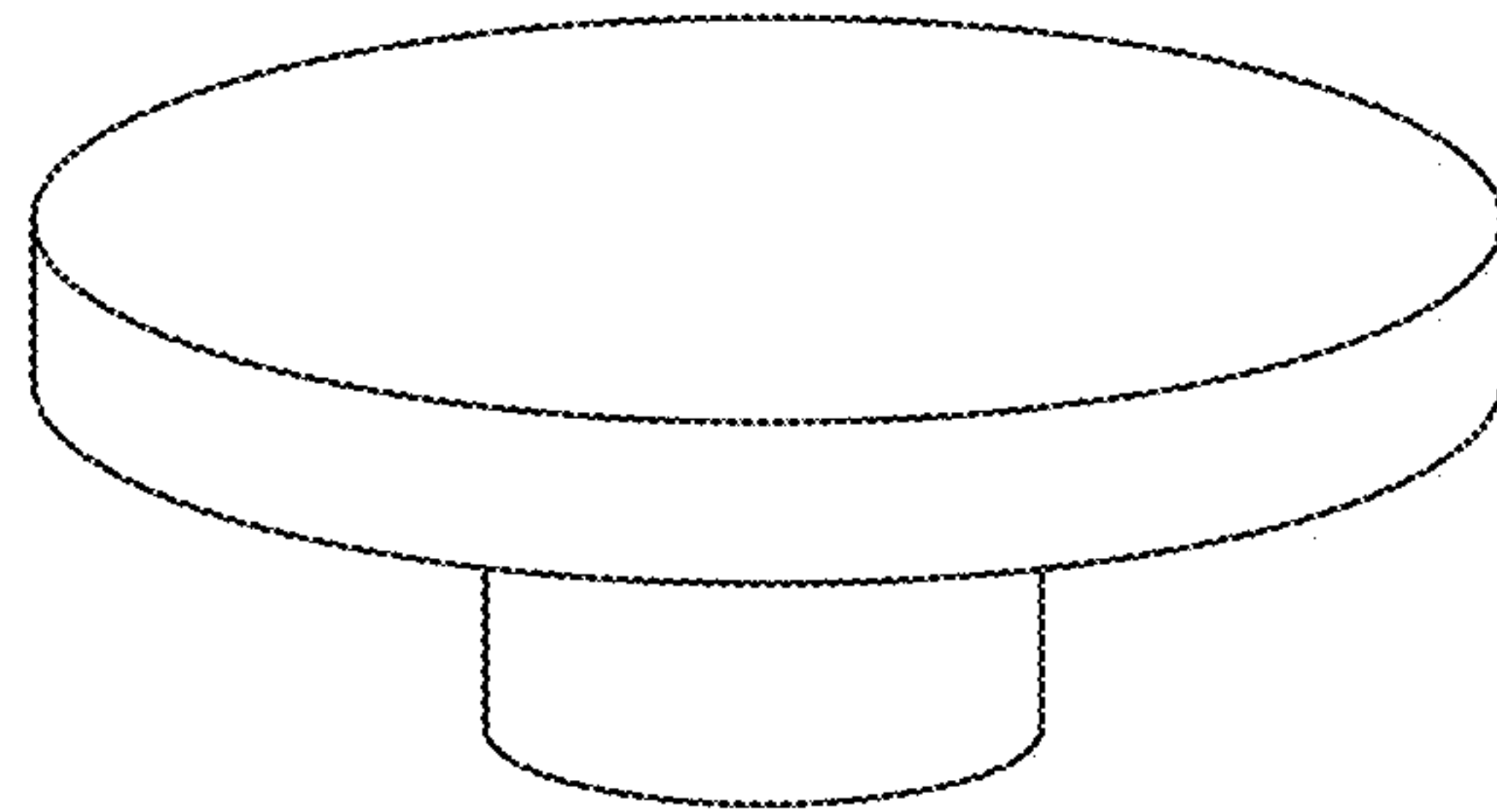


FIG. 1

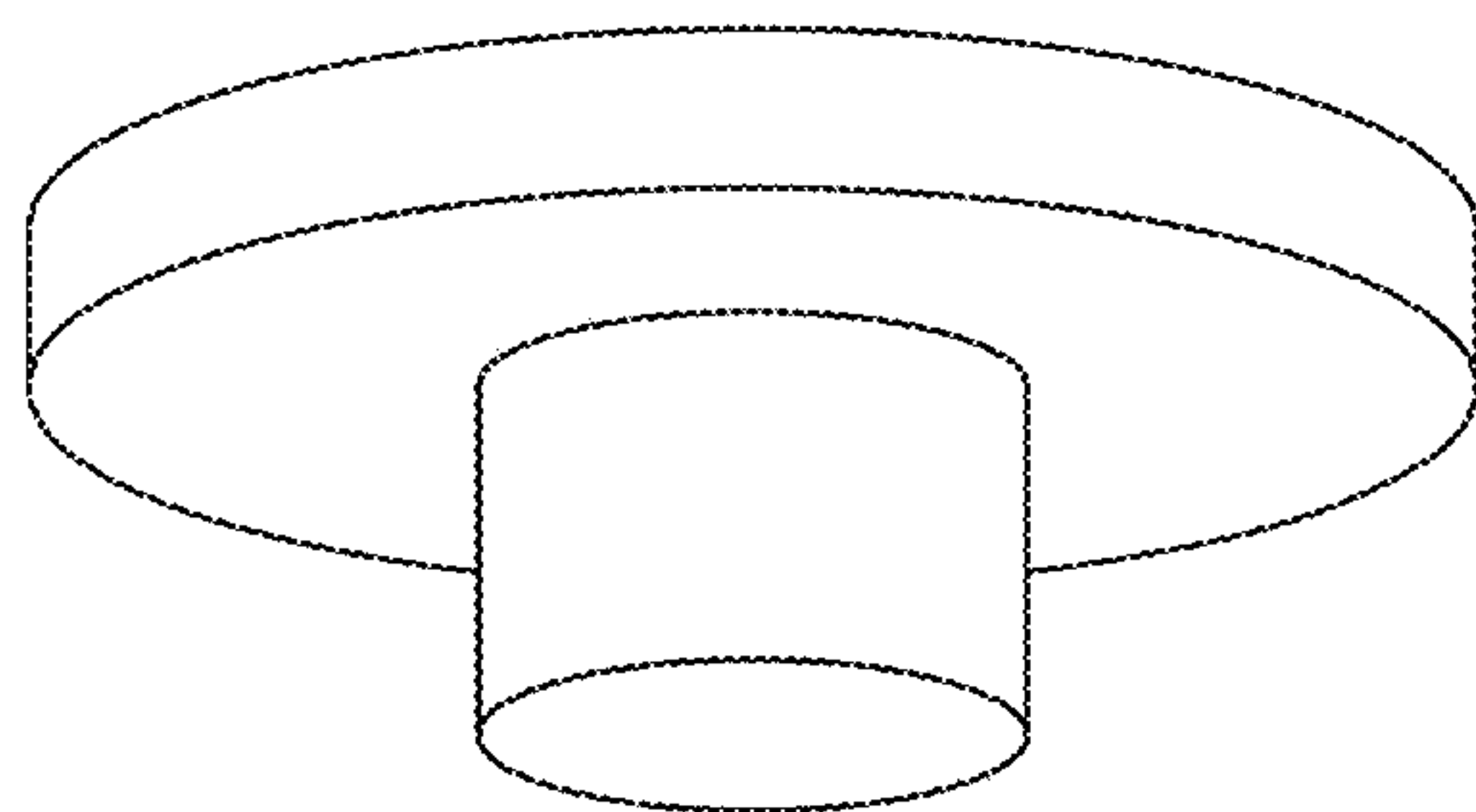


FIG. 2

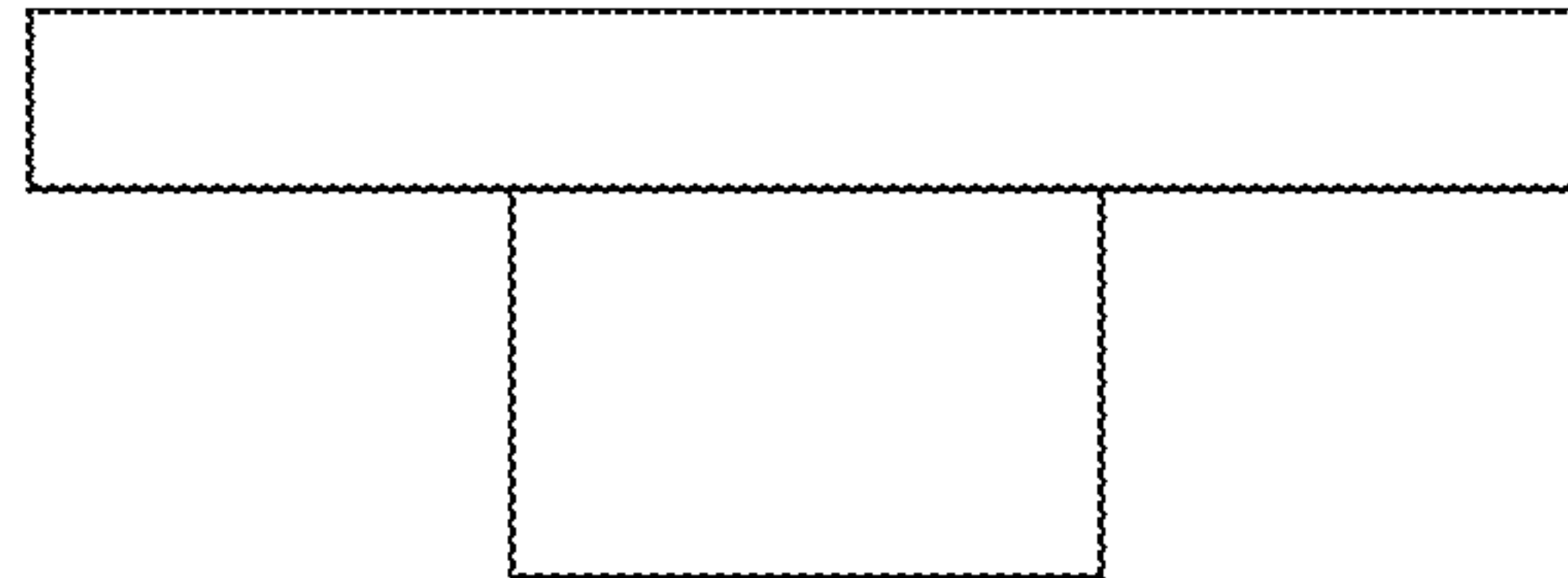


FIG. 3

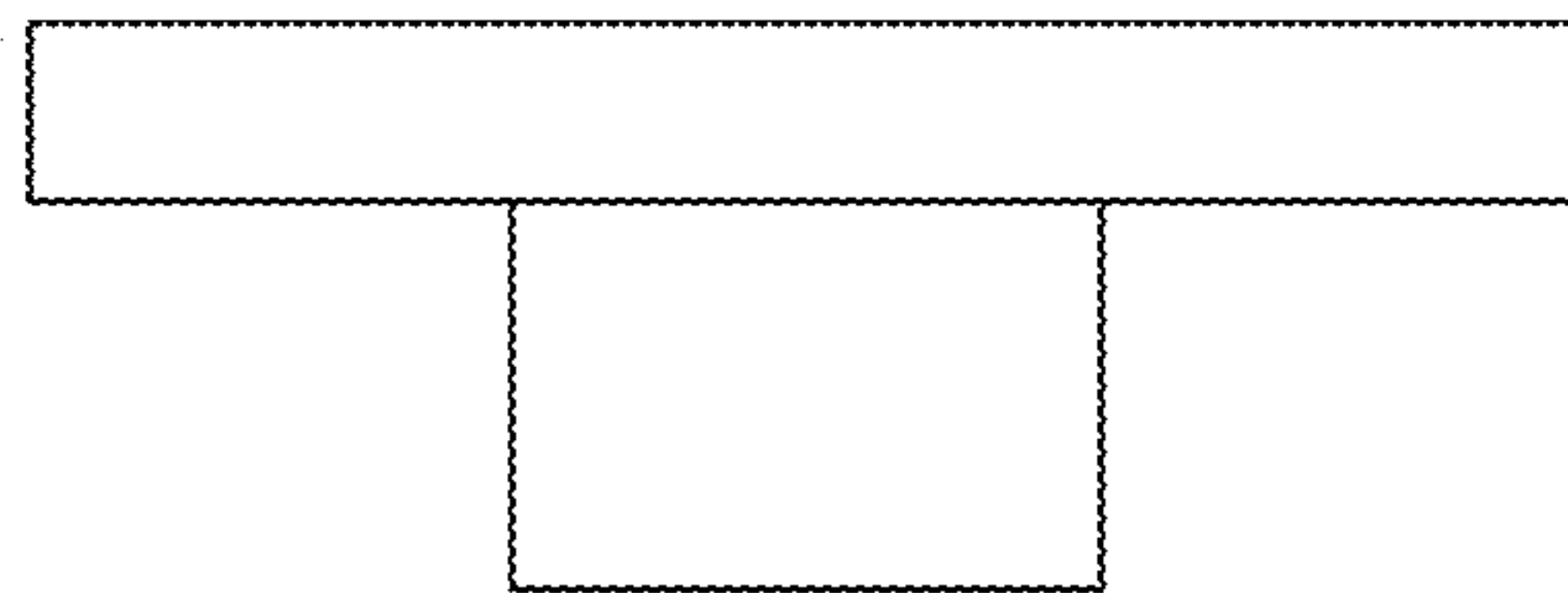


FIG. 4

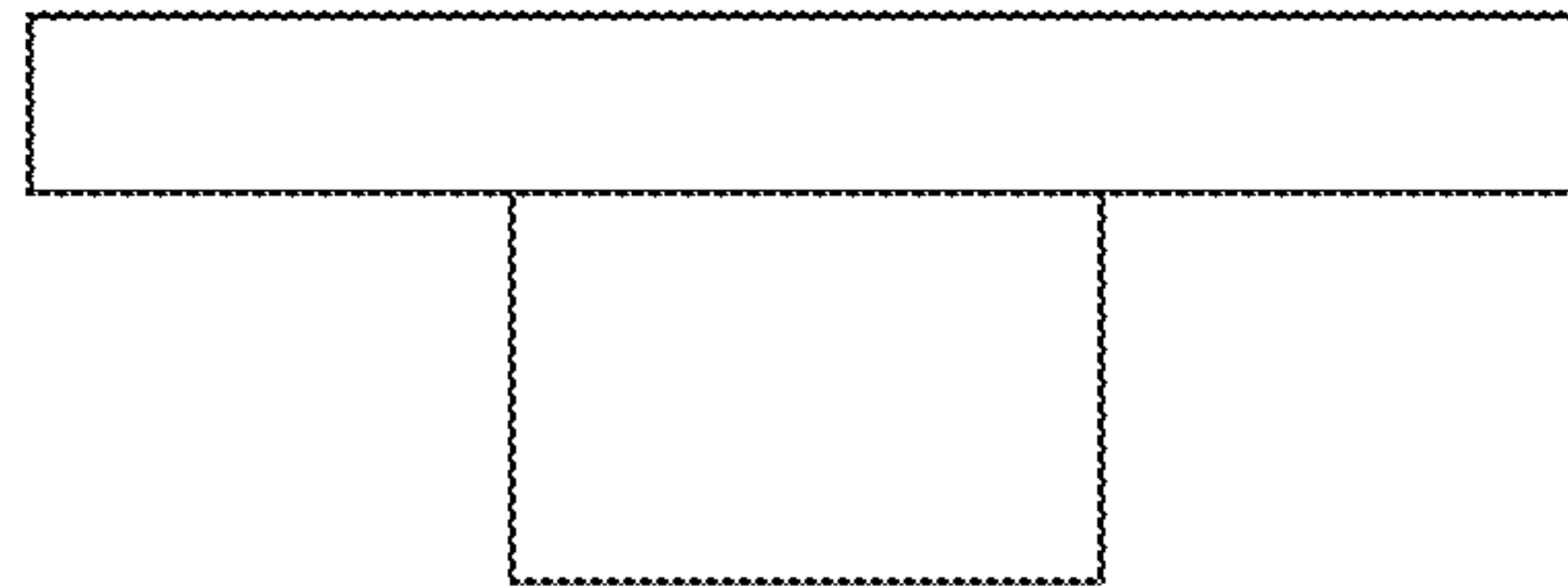


FIG. 5

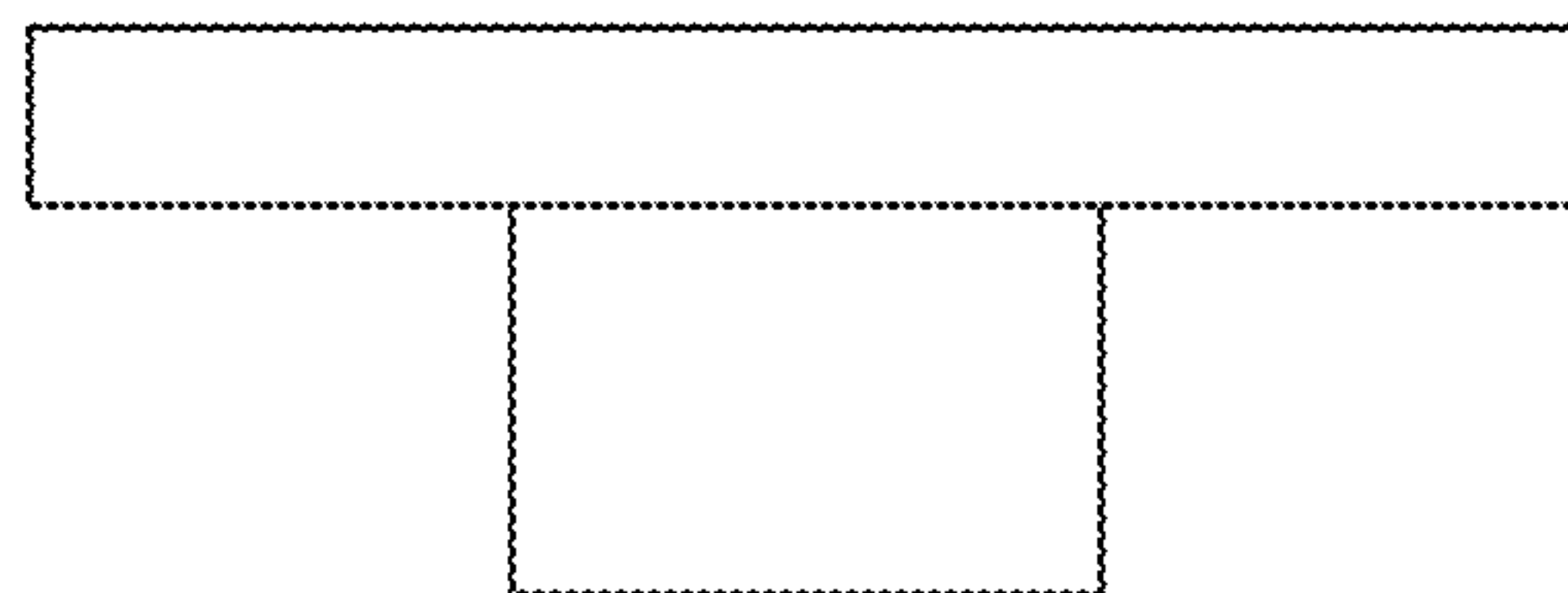


FIG. 6

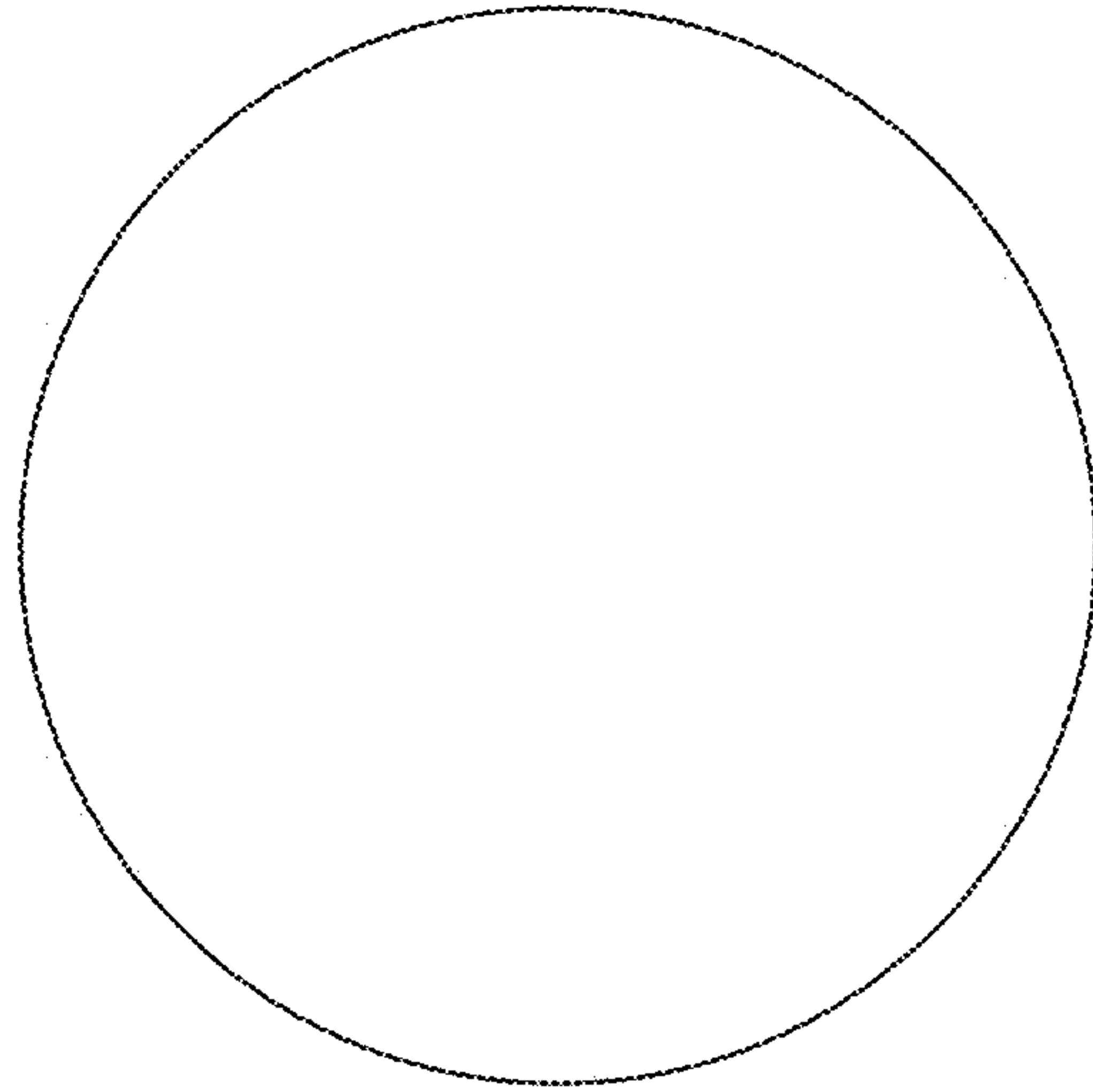


FIG. 7

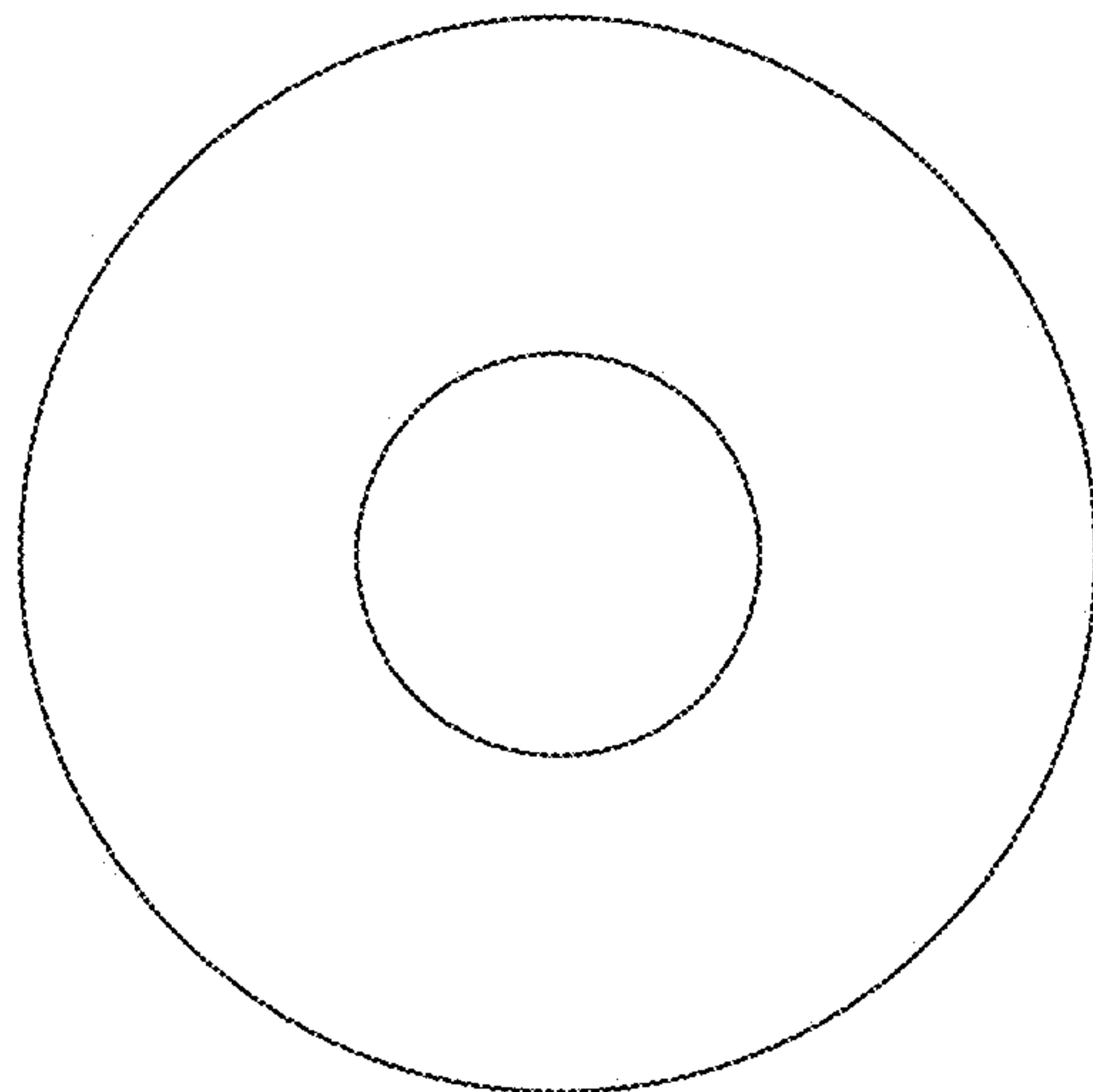


FIG. 8

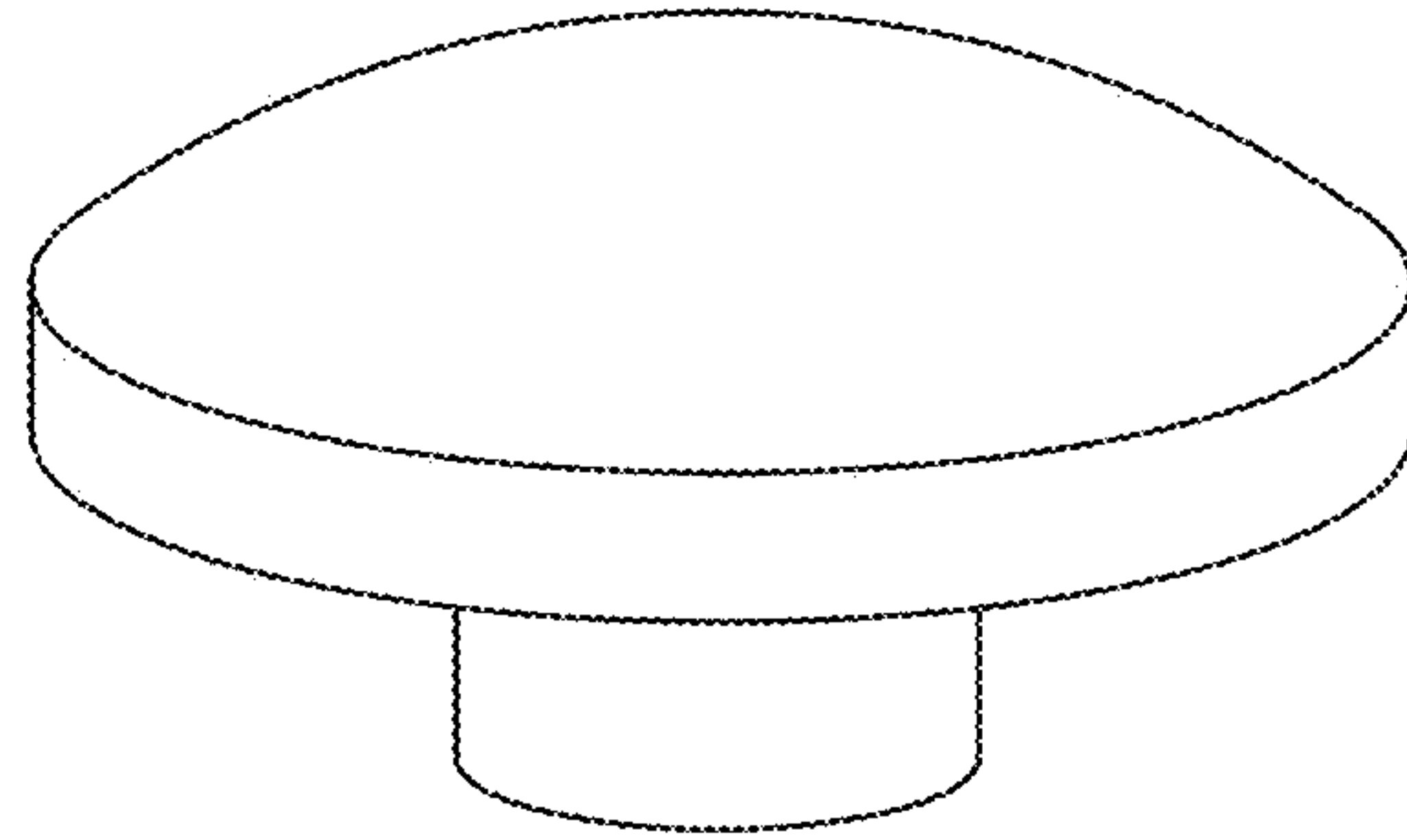


FIG. 9

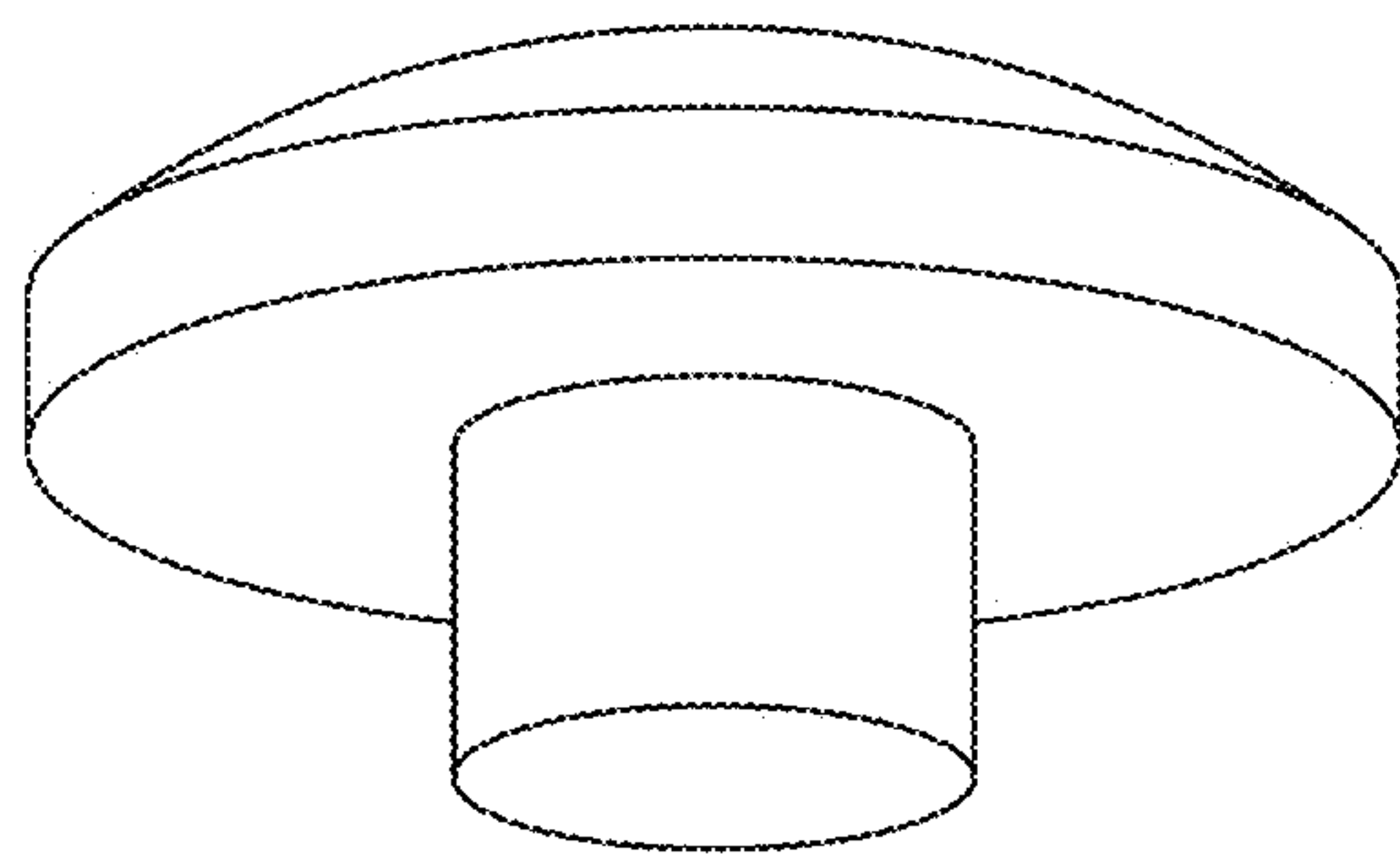


FIG. 10

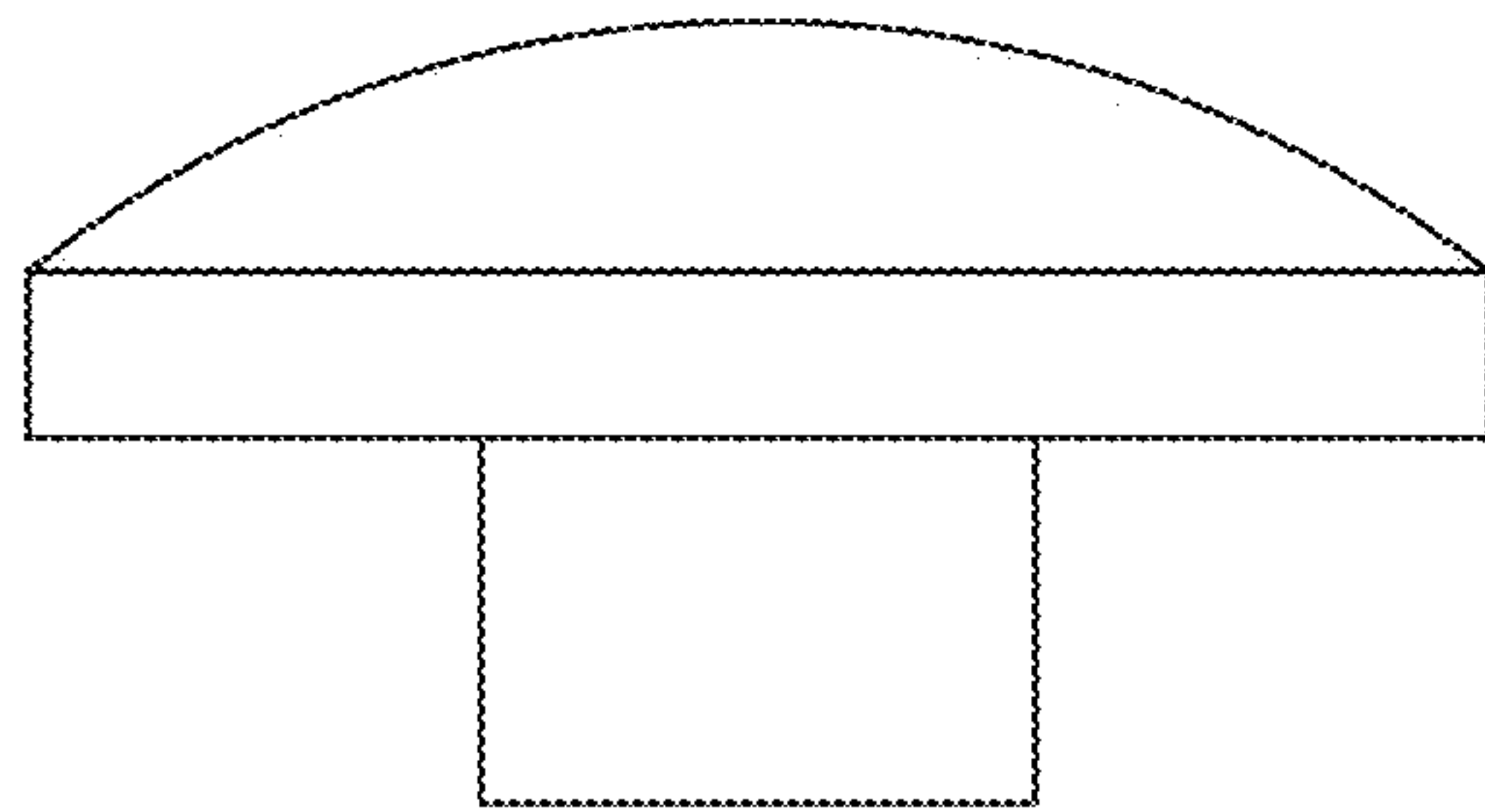


FIG. 11

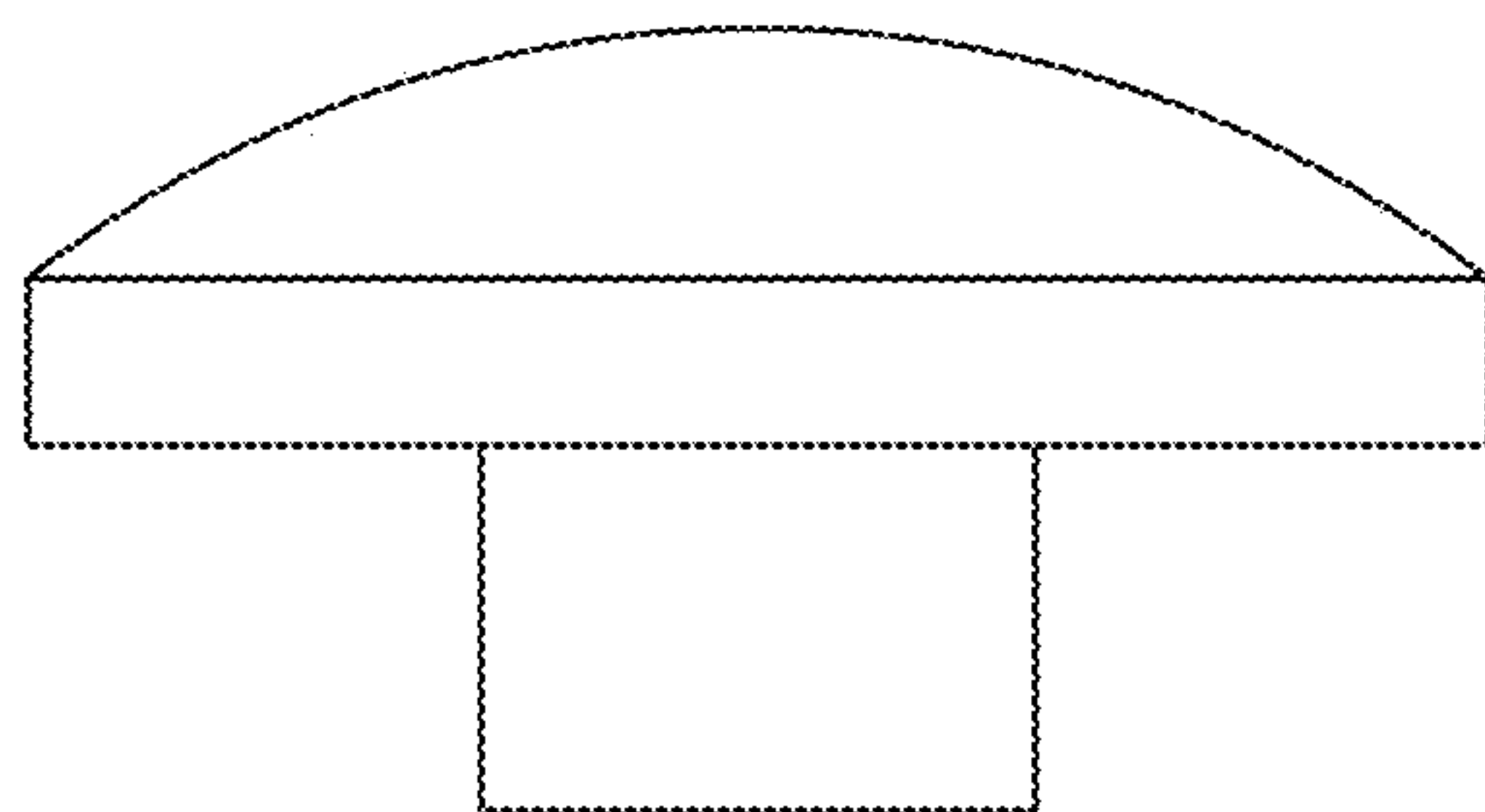


FIG. 12

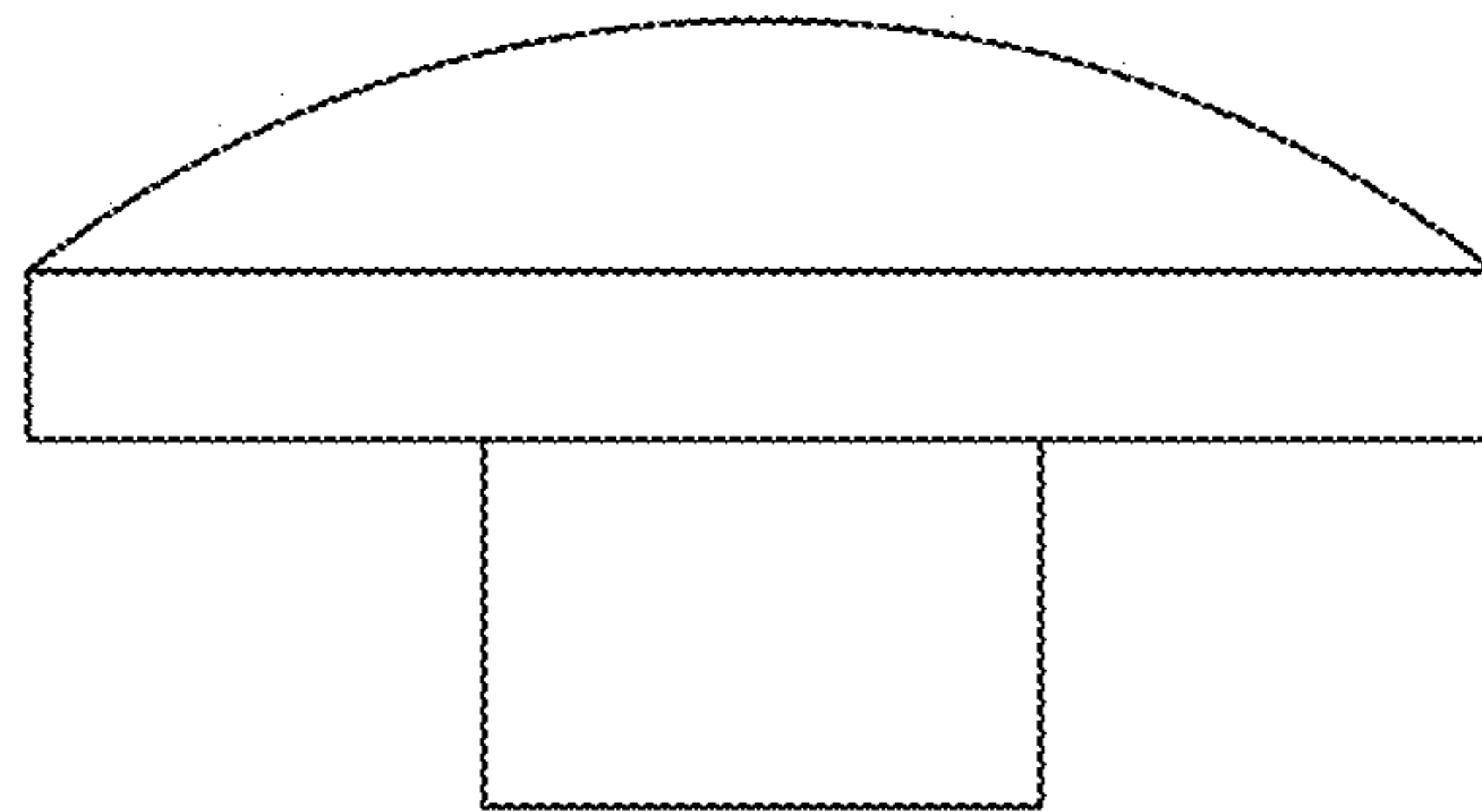


FIG. 13

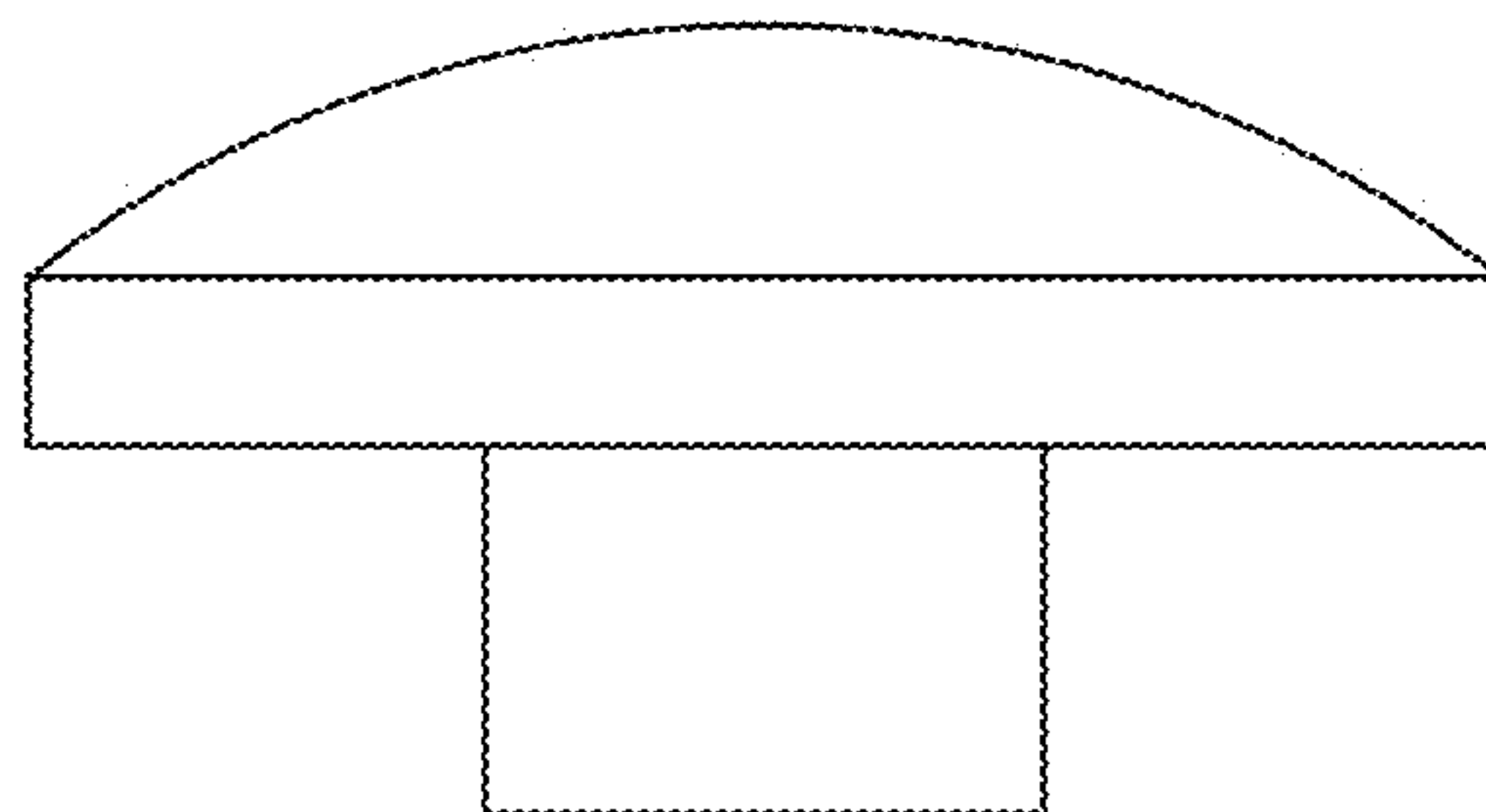


FIG. 14

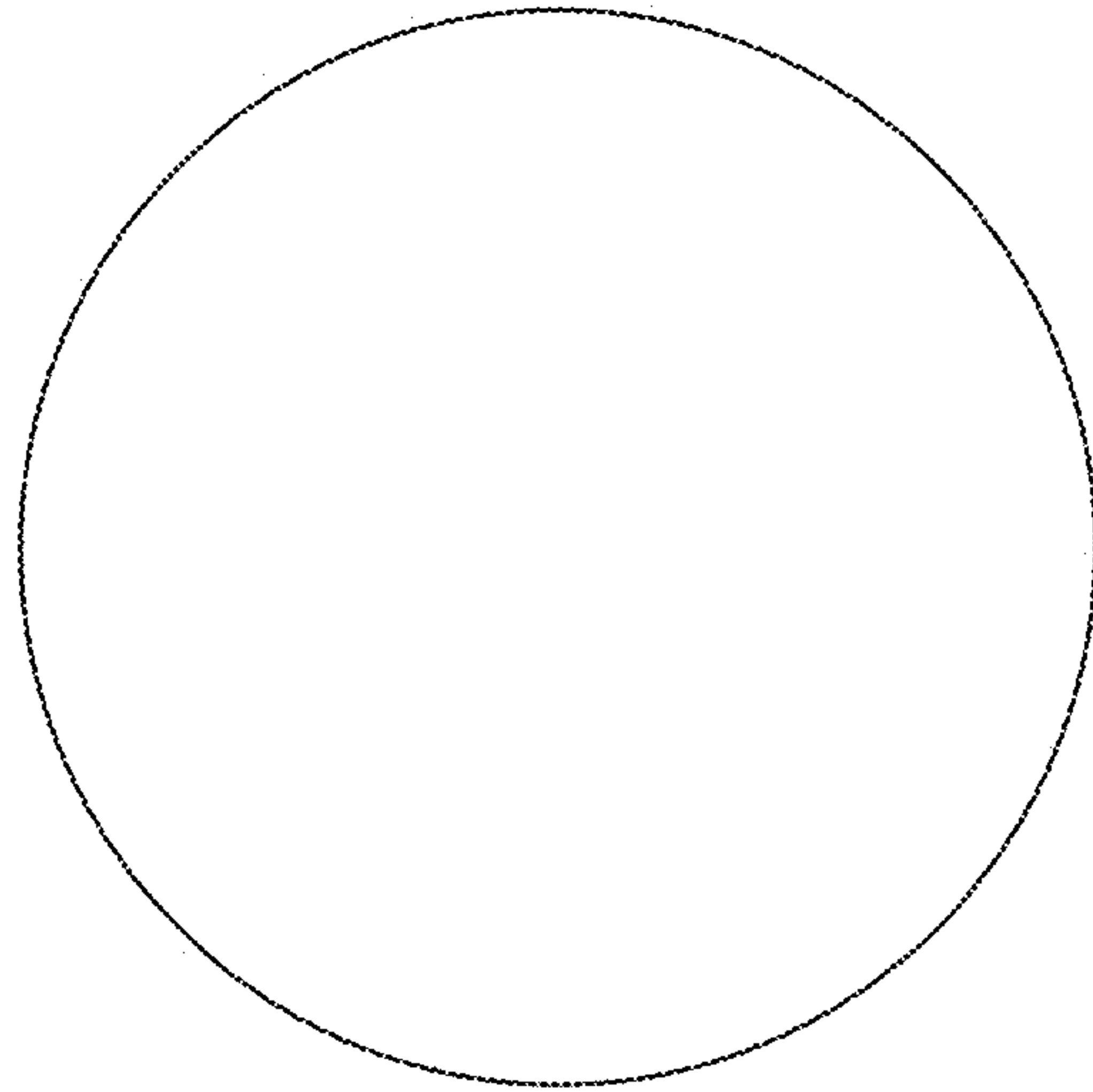


FIG. 15

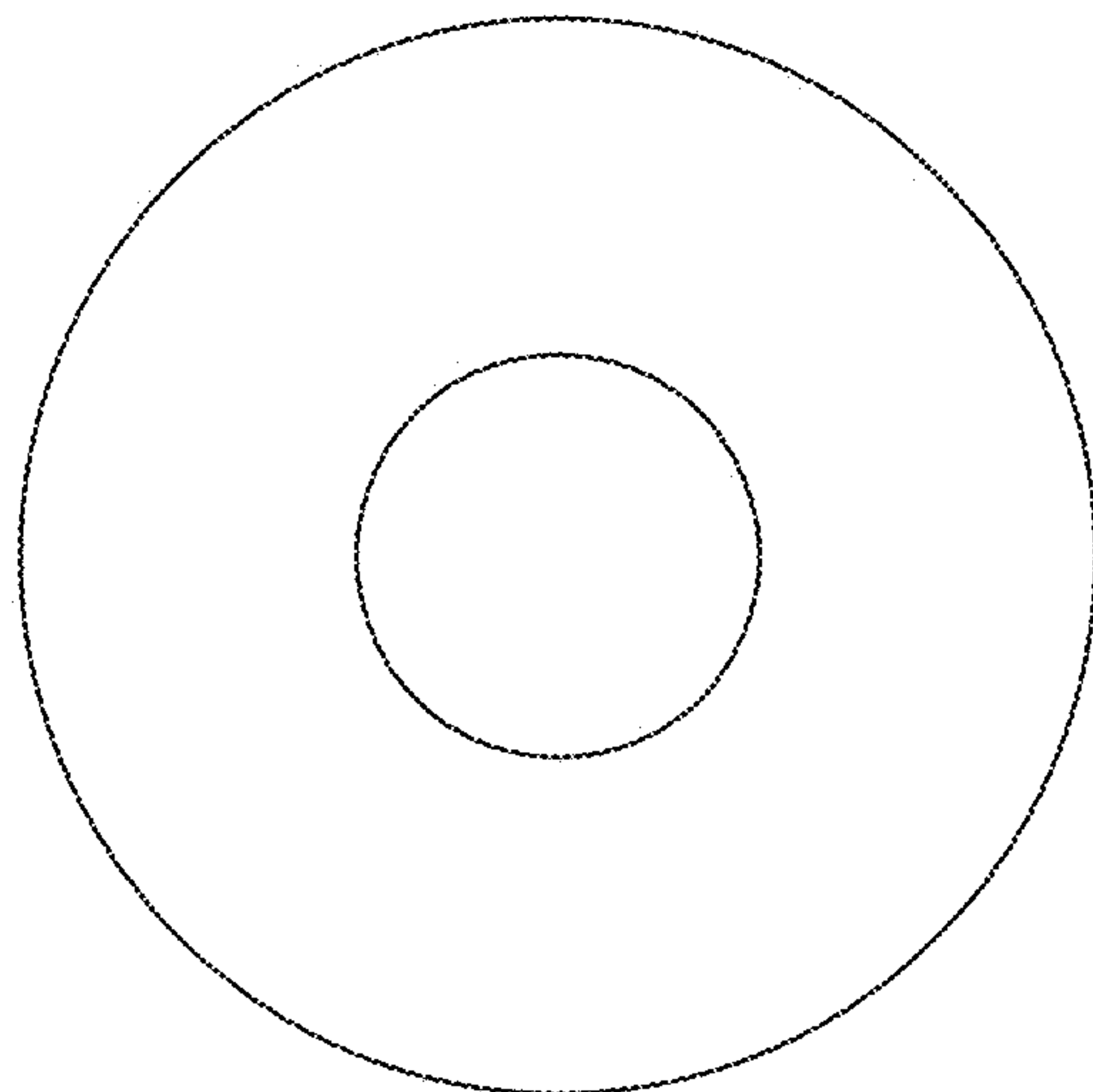


FIG. 16

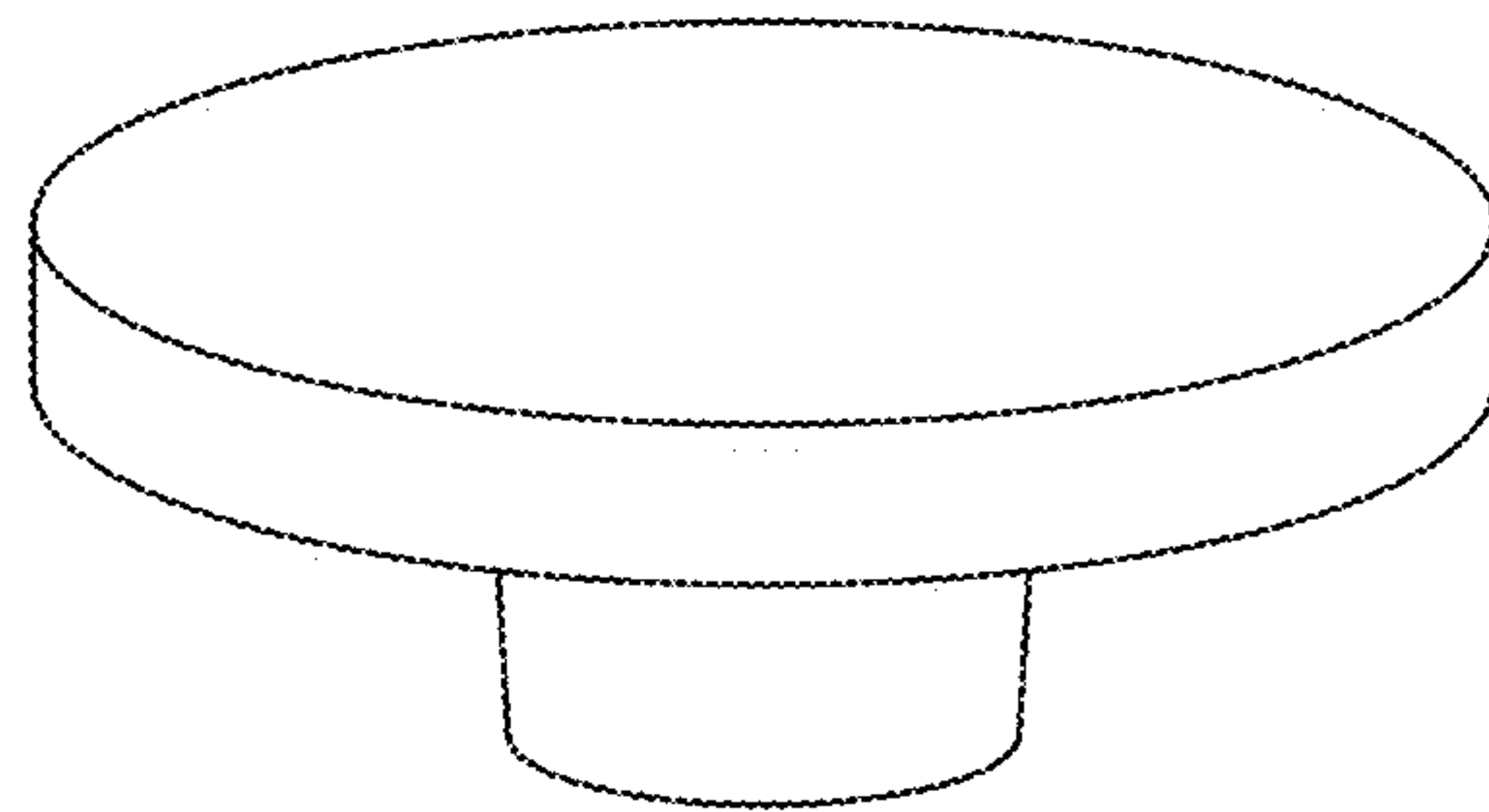


FIG. 17

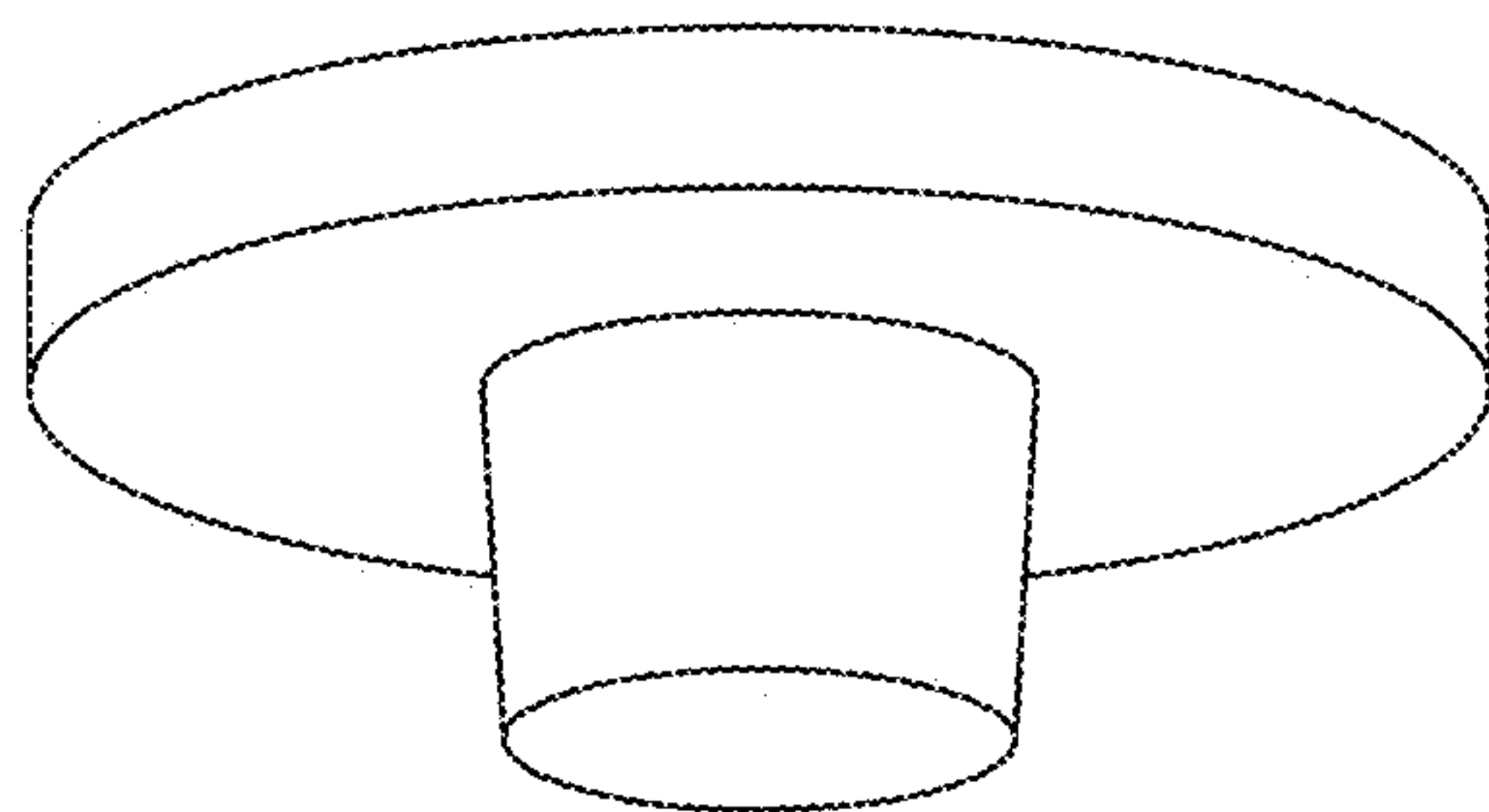


FIG. 18

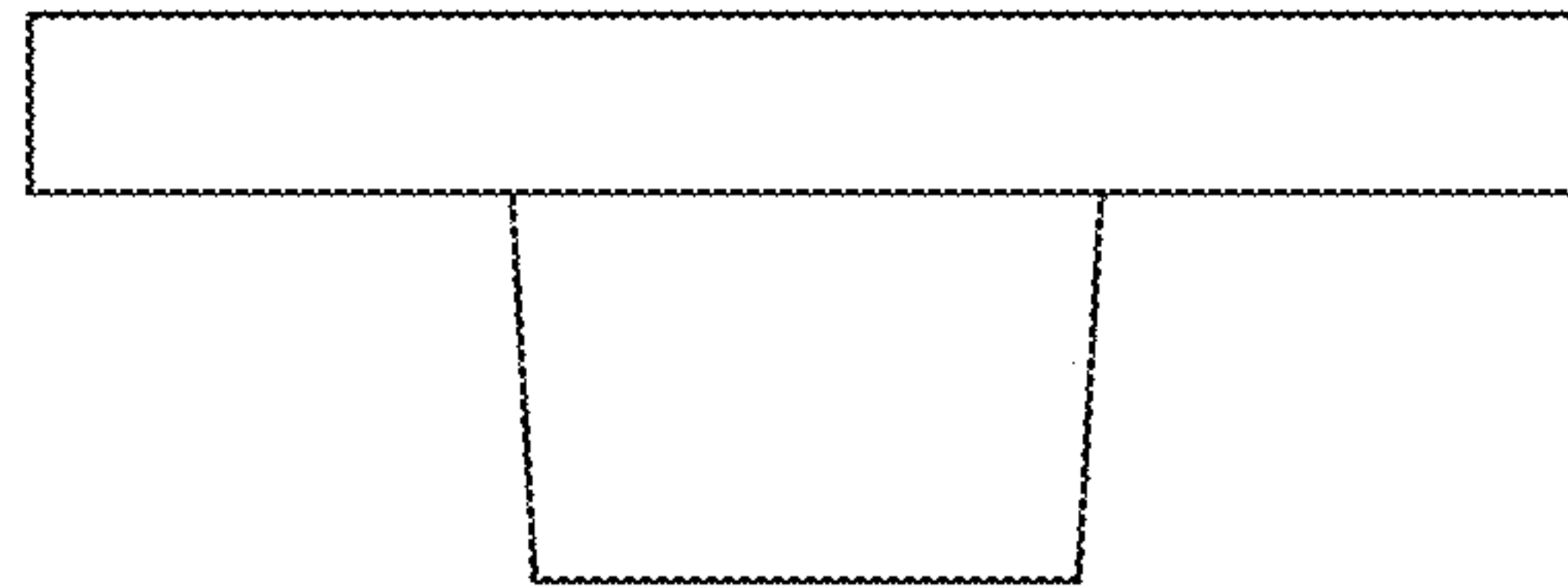


FIG. 19

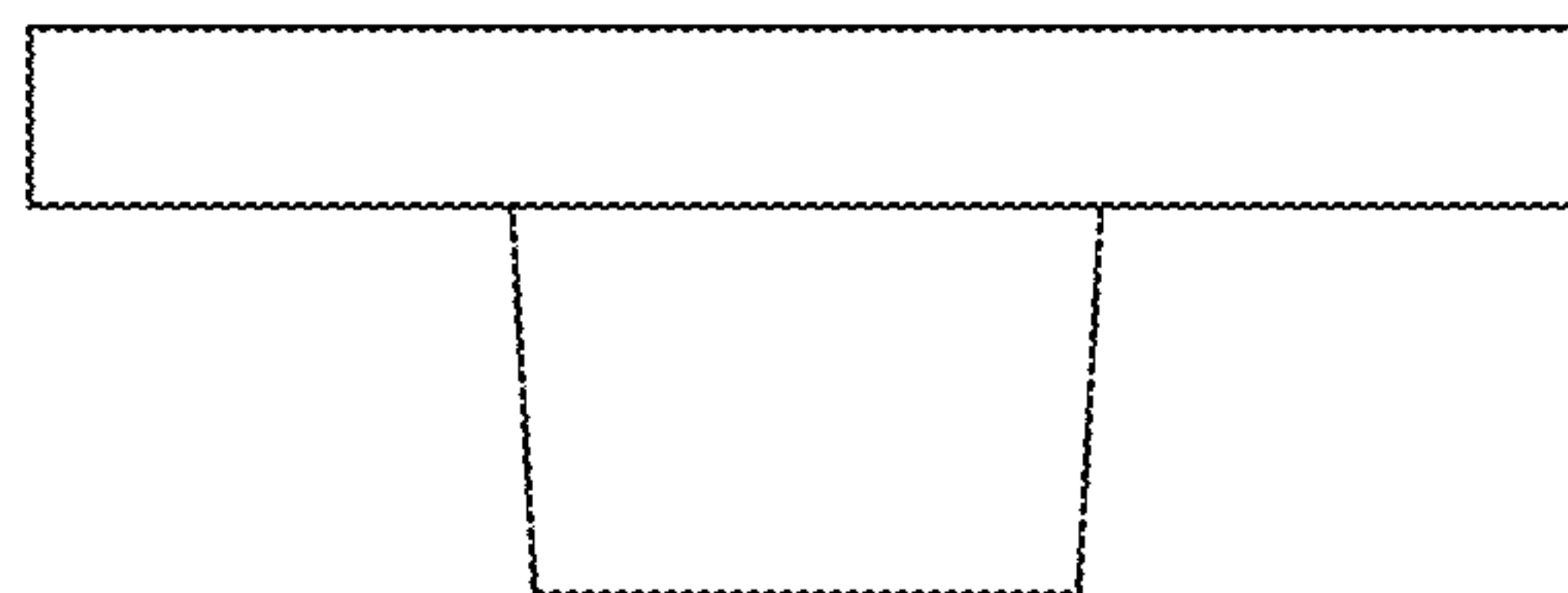


FIG. 20

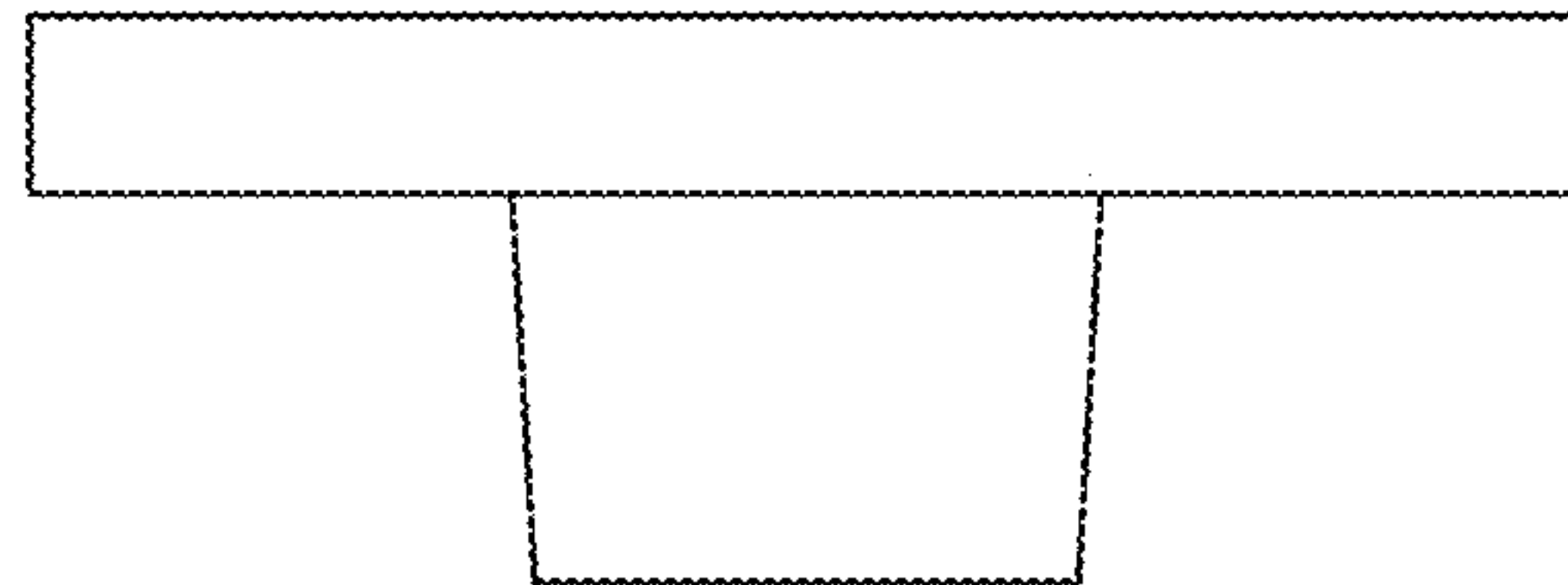


FIG. 21

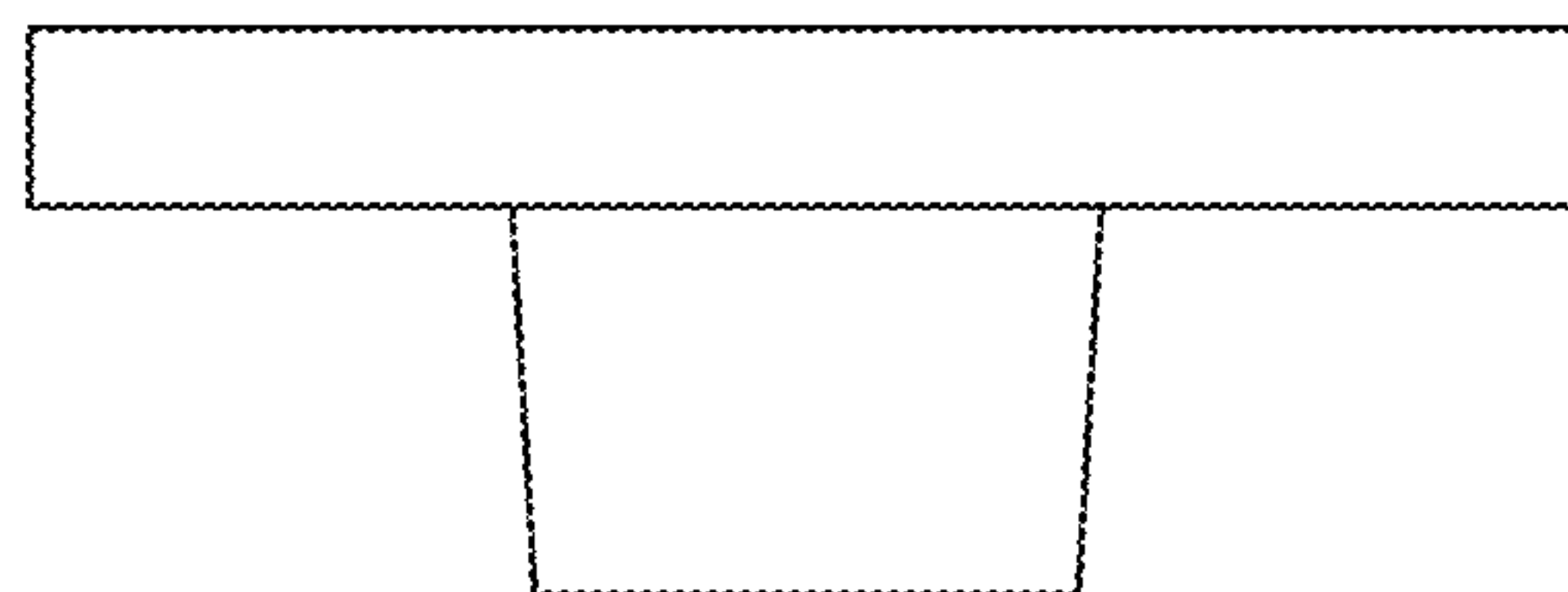


FIG. 22

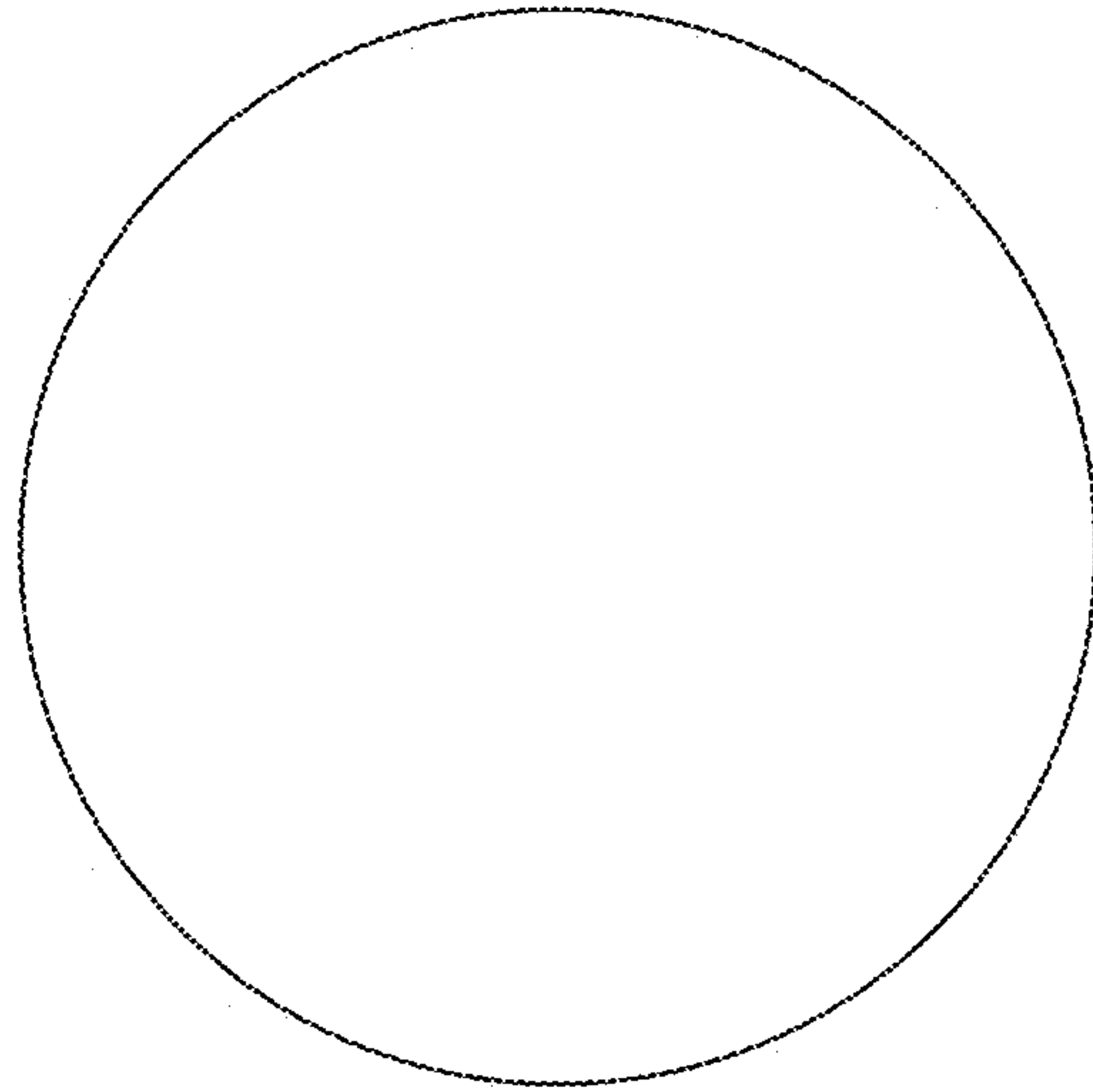


FIG. 23

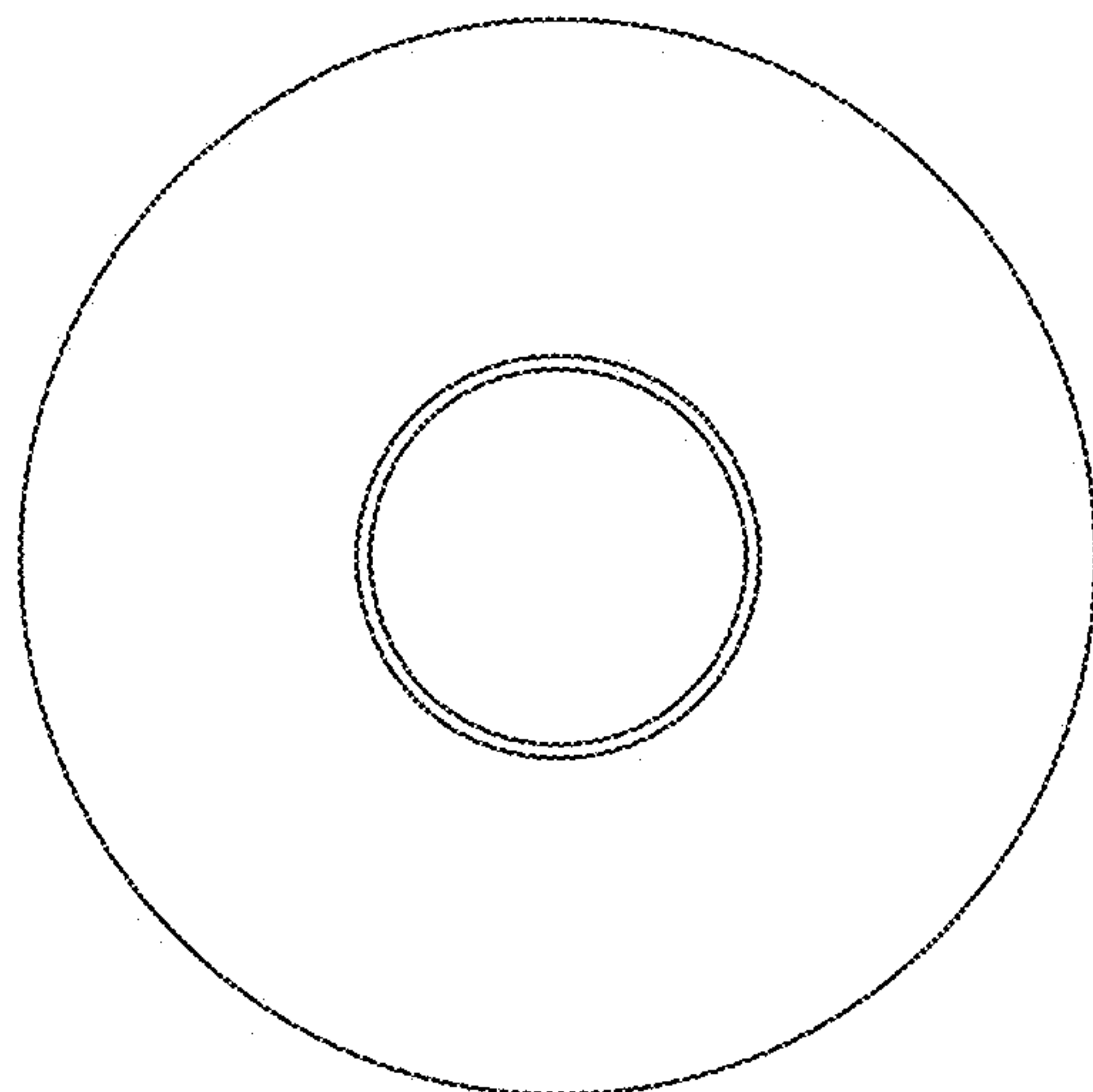


FIG. 24

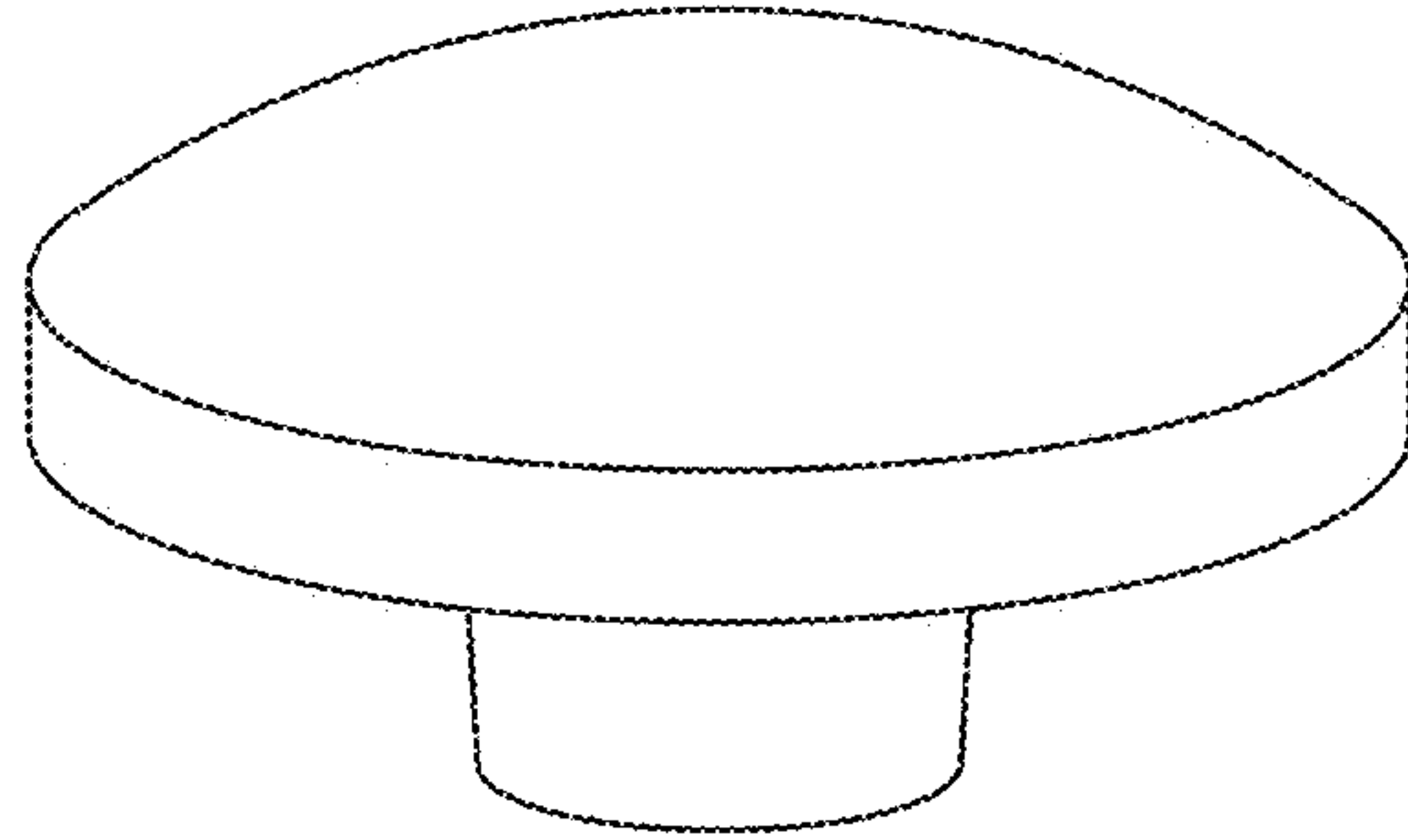


FIG. 25

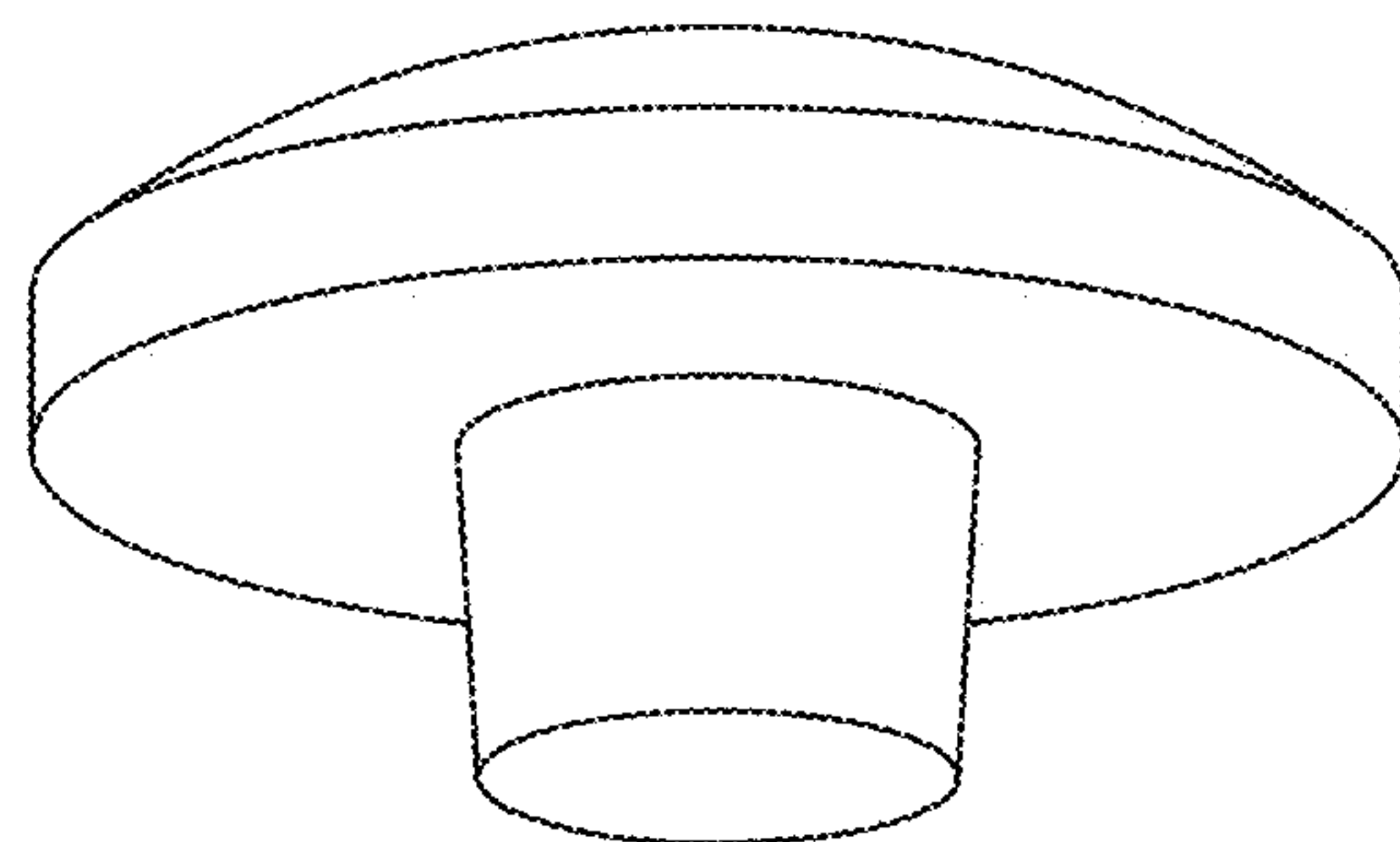


FIG. 26

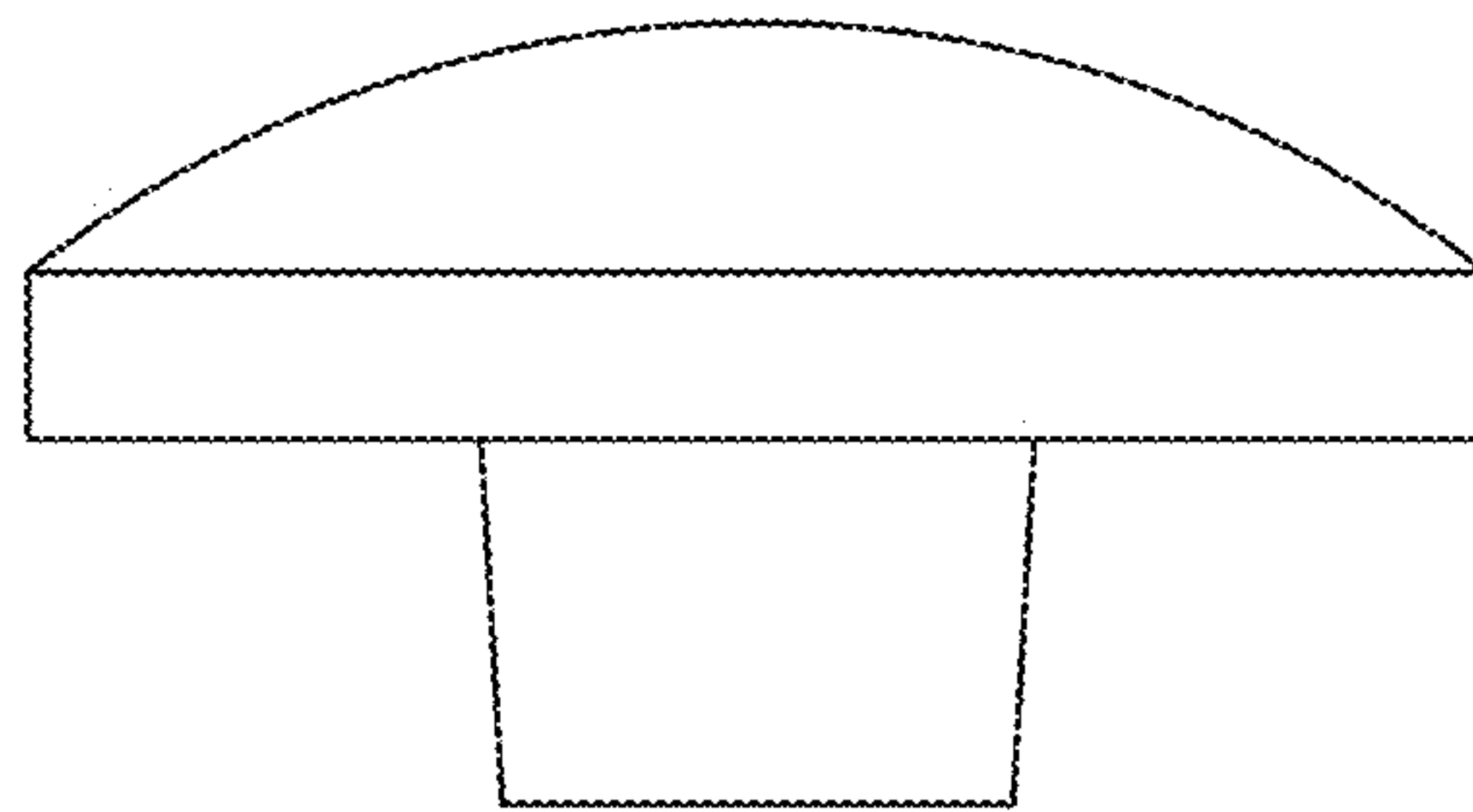


FIG. 27

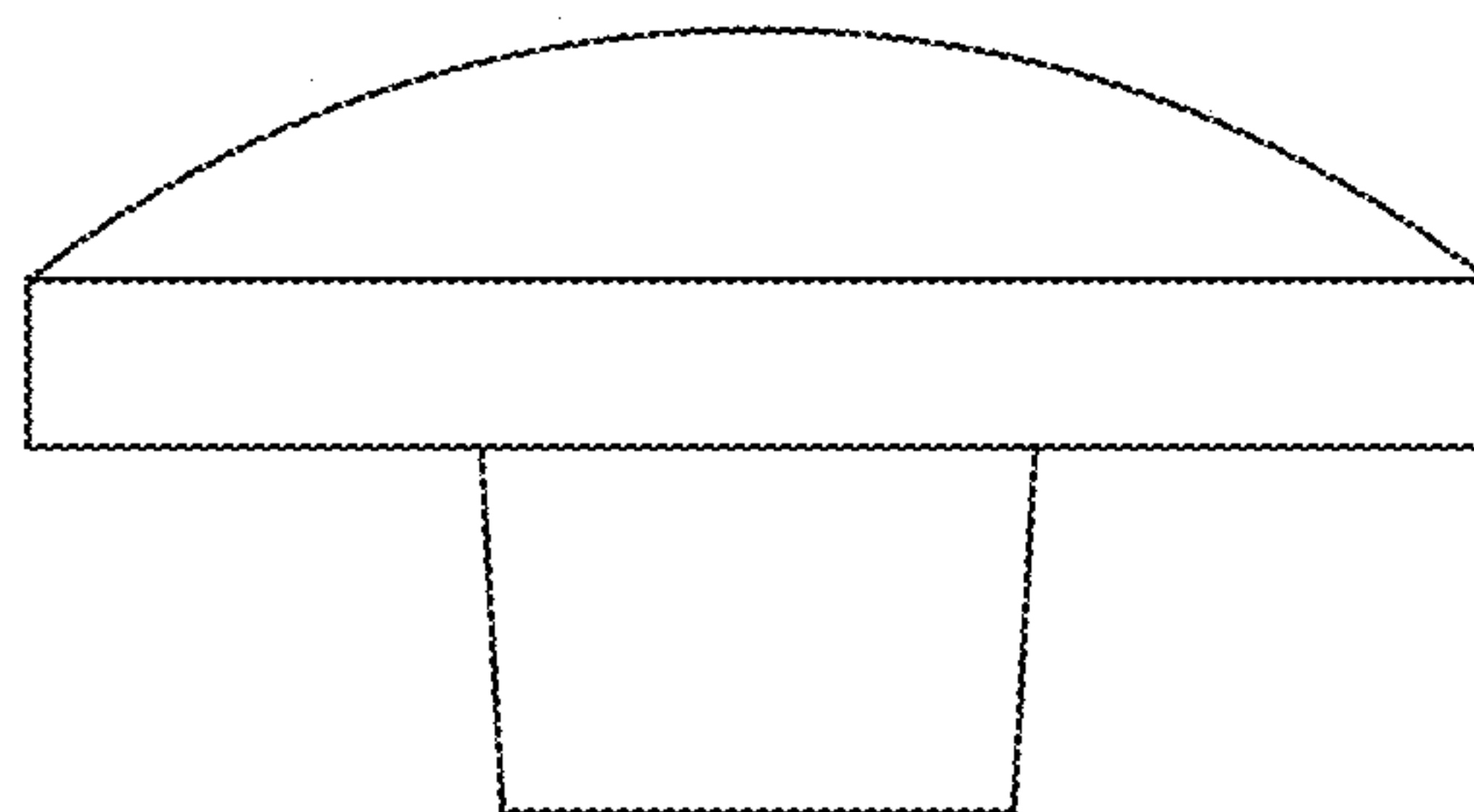


FIG. 28

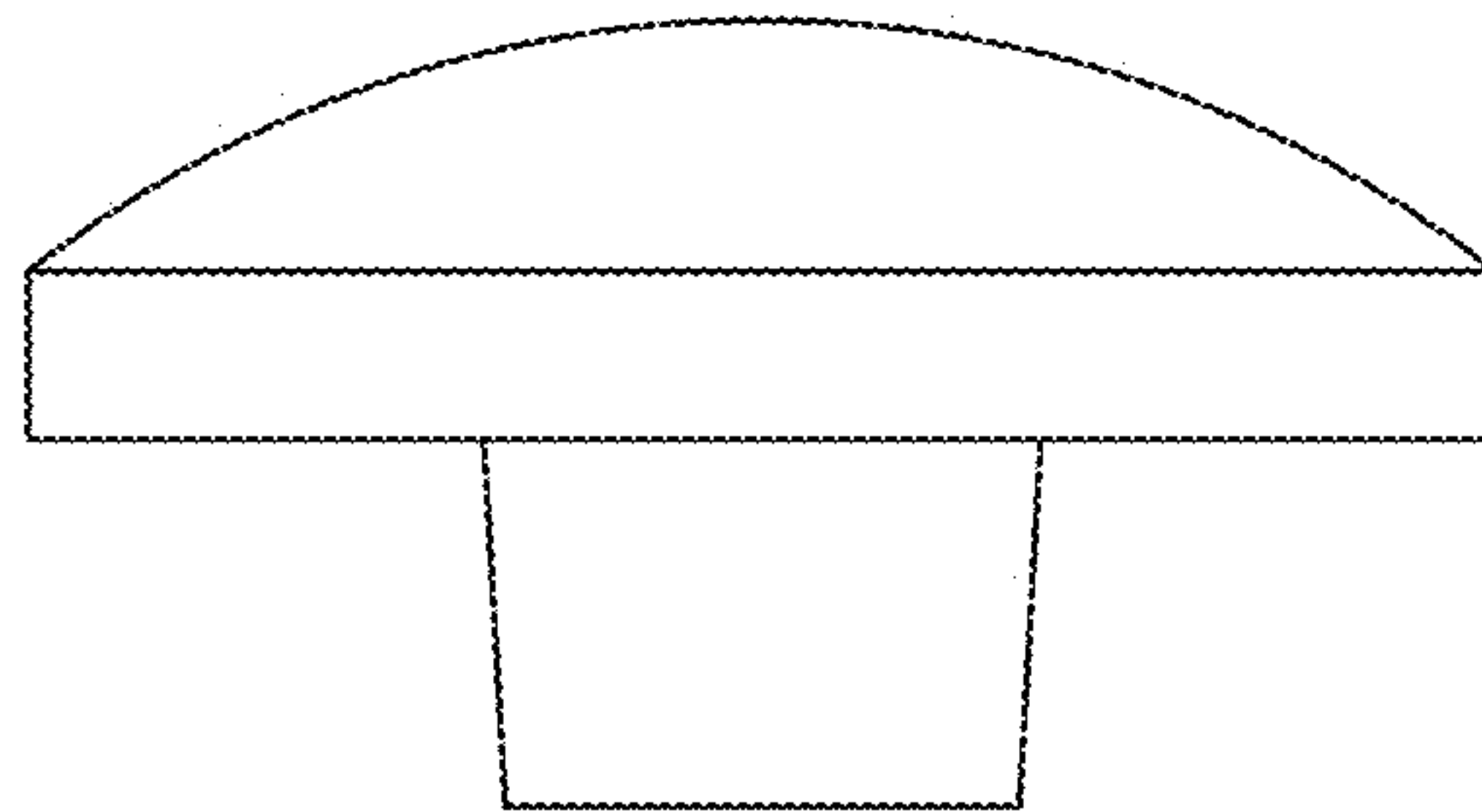


FIG. 29

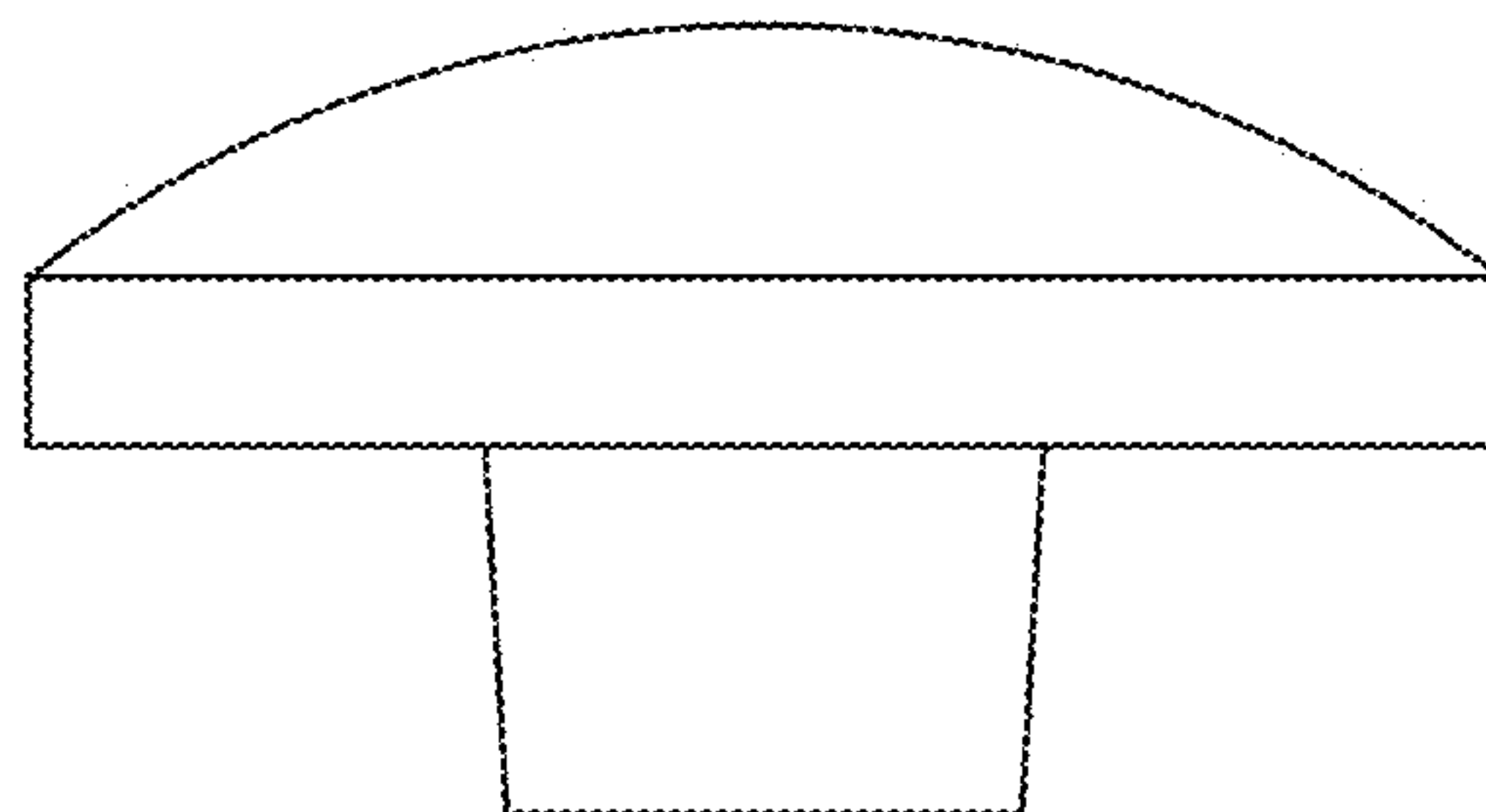


FIG. 30

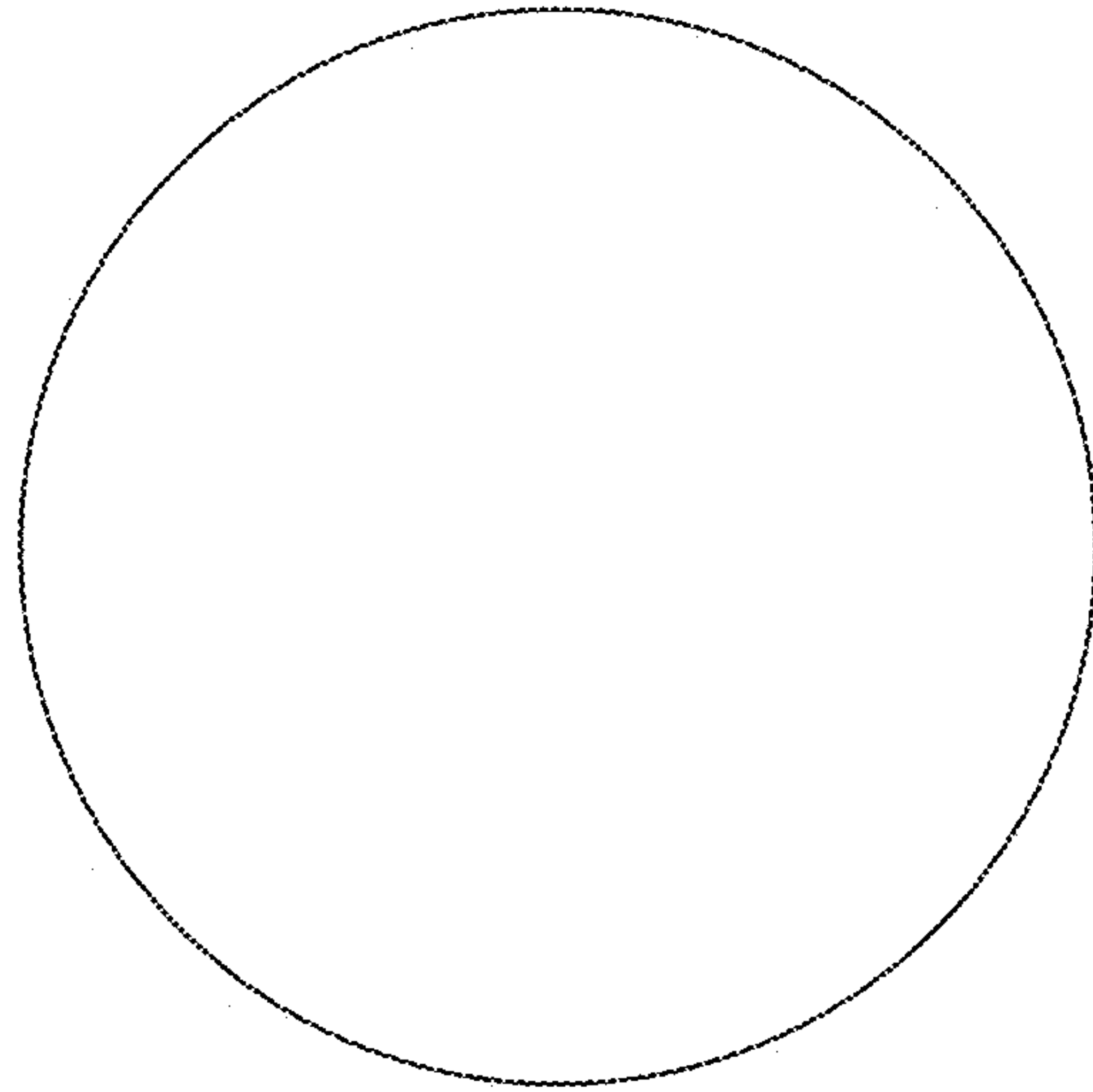


FIG. 31

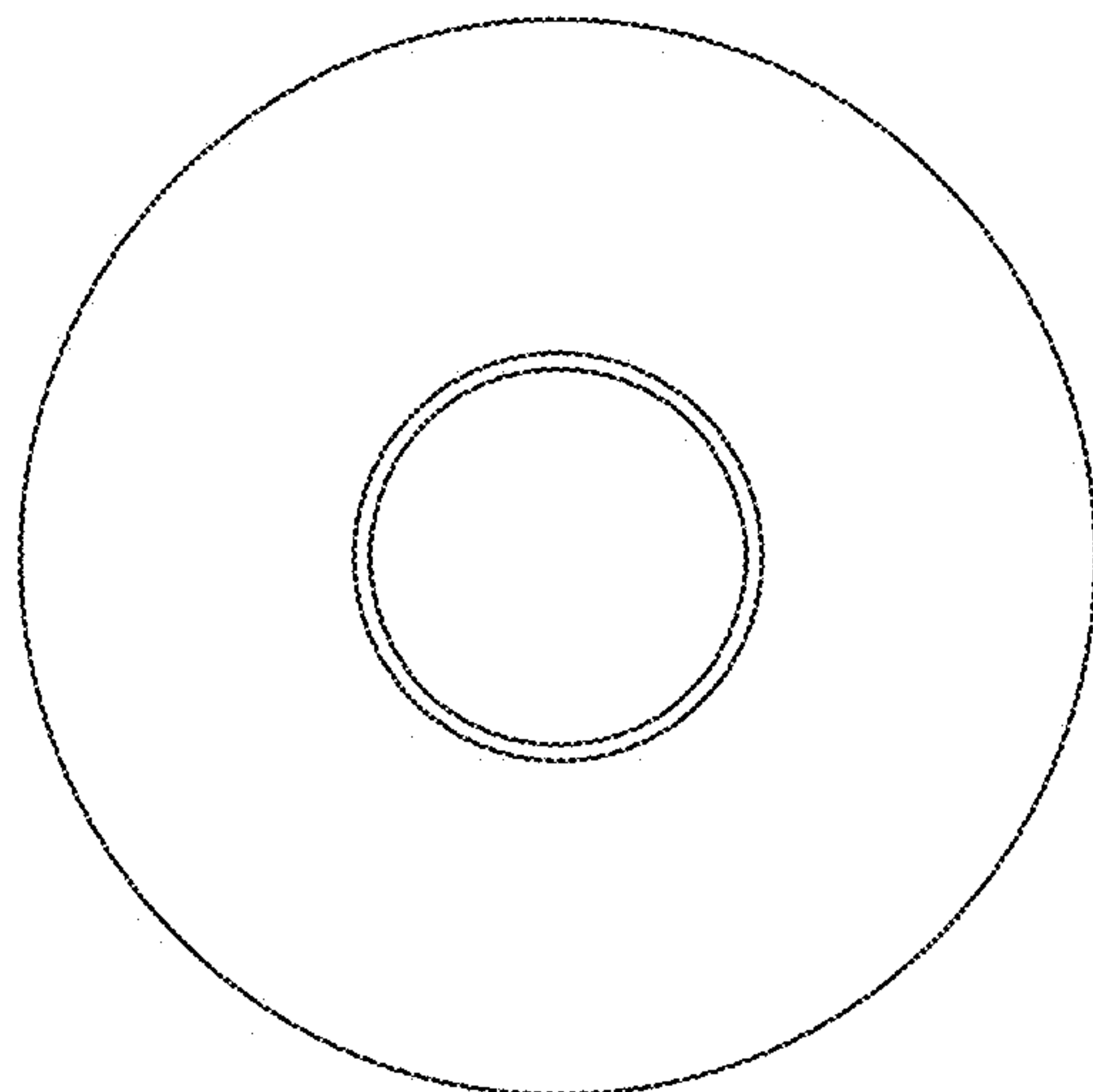


FIG. 32

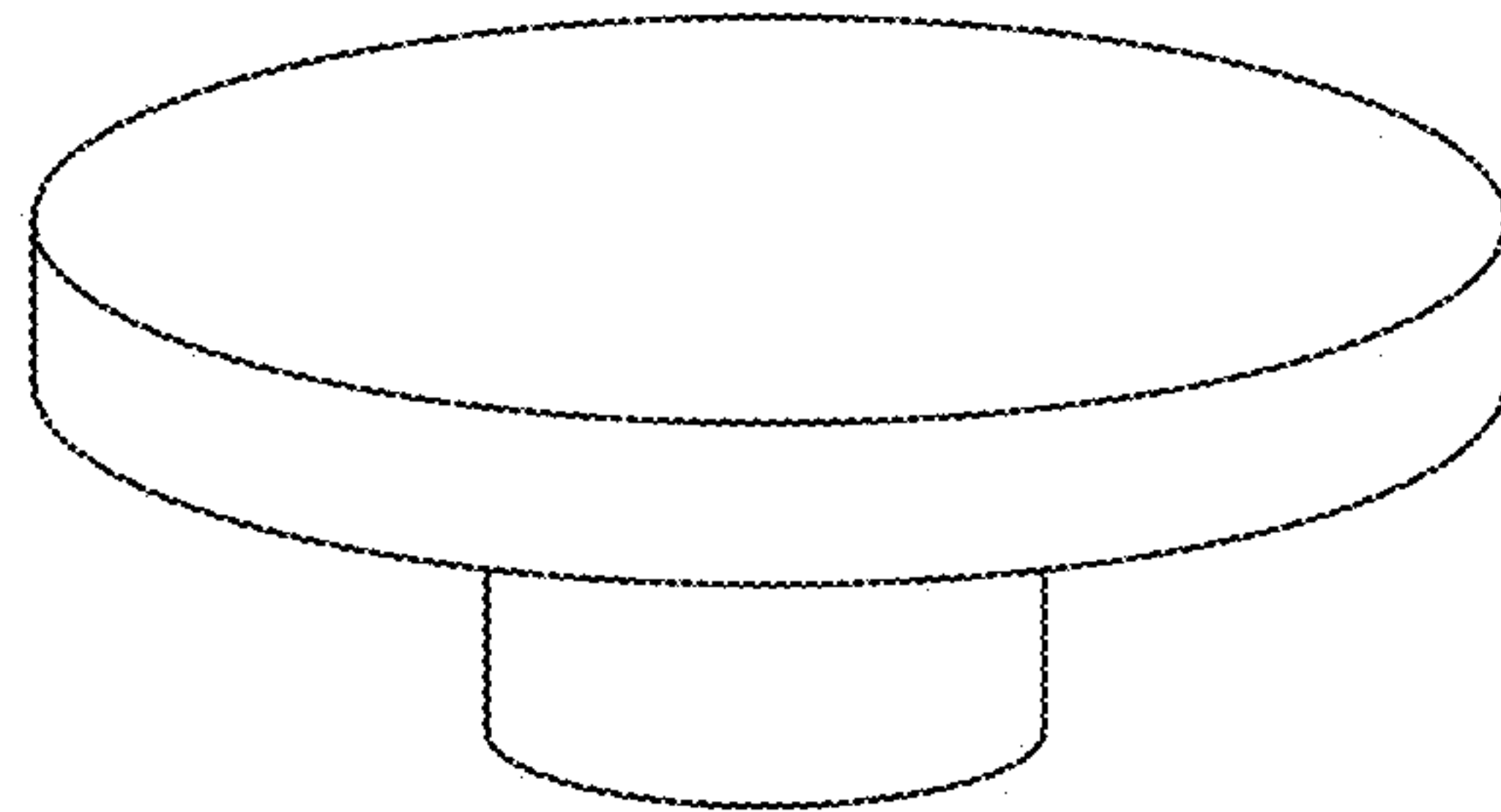


FIG. 33

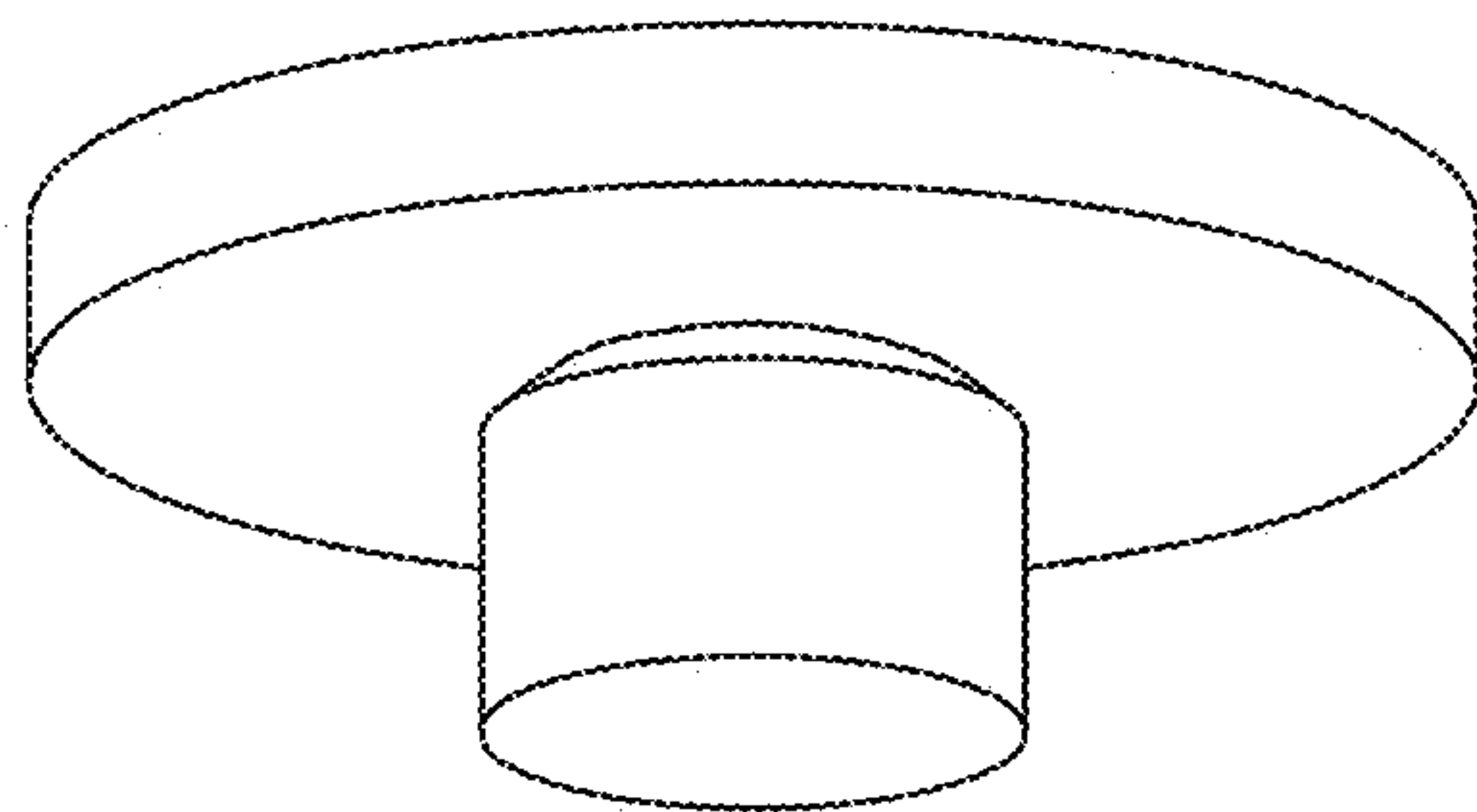


FIG. 34

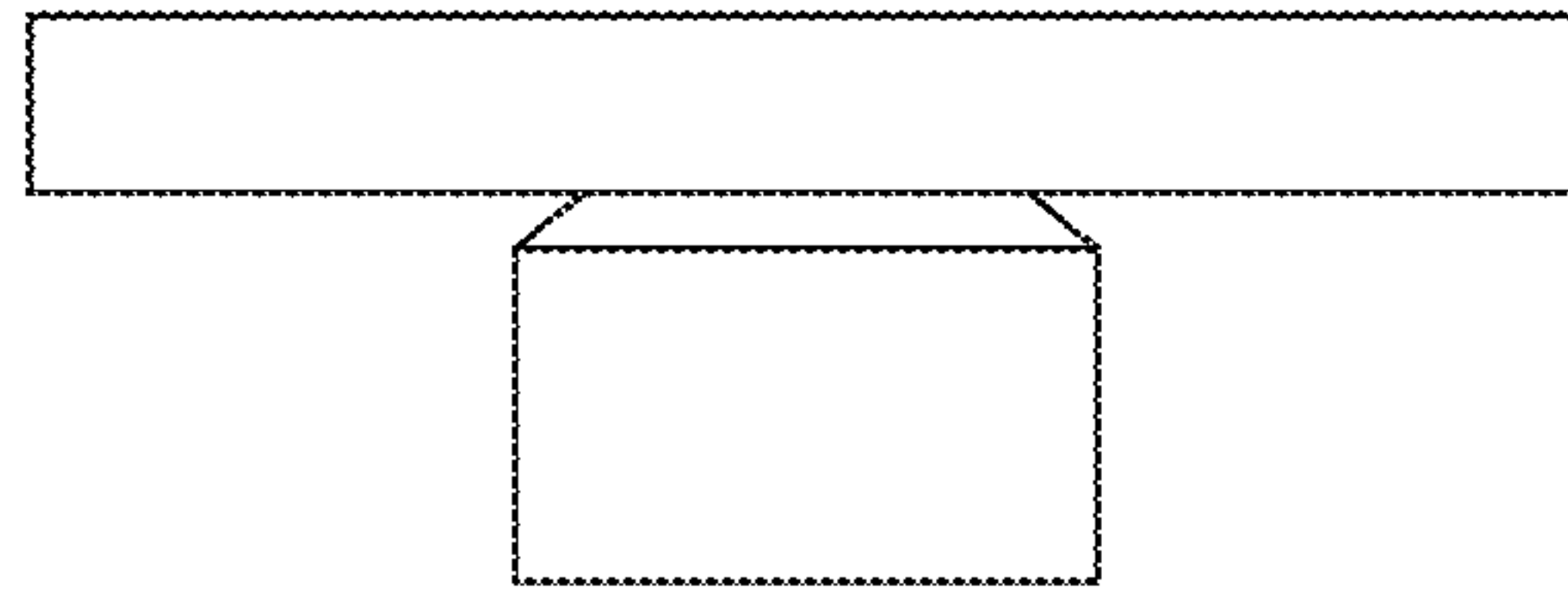


FIG. 35

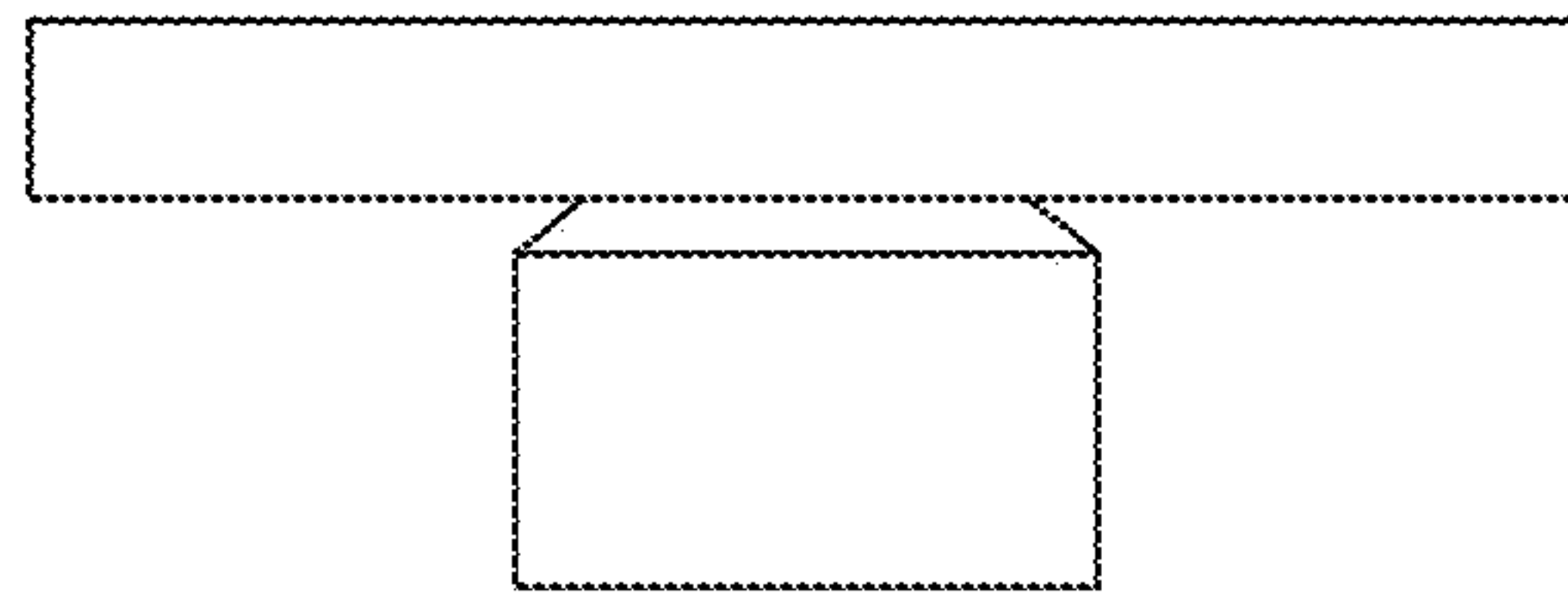


FIG. 36

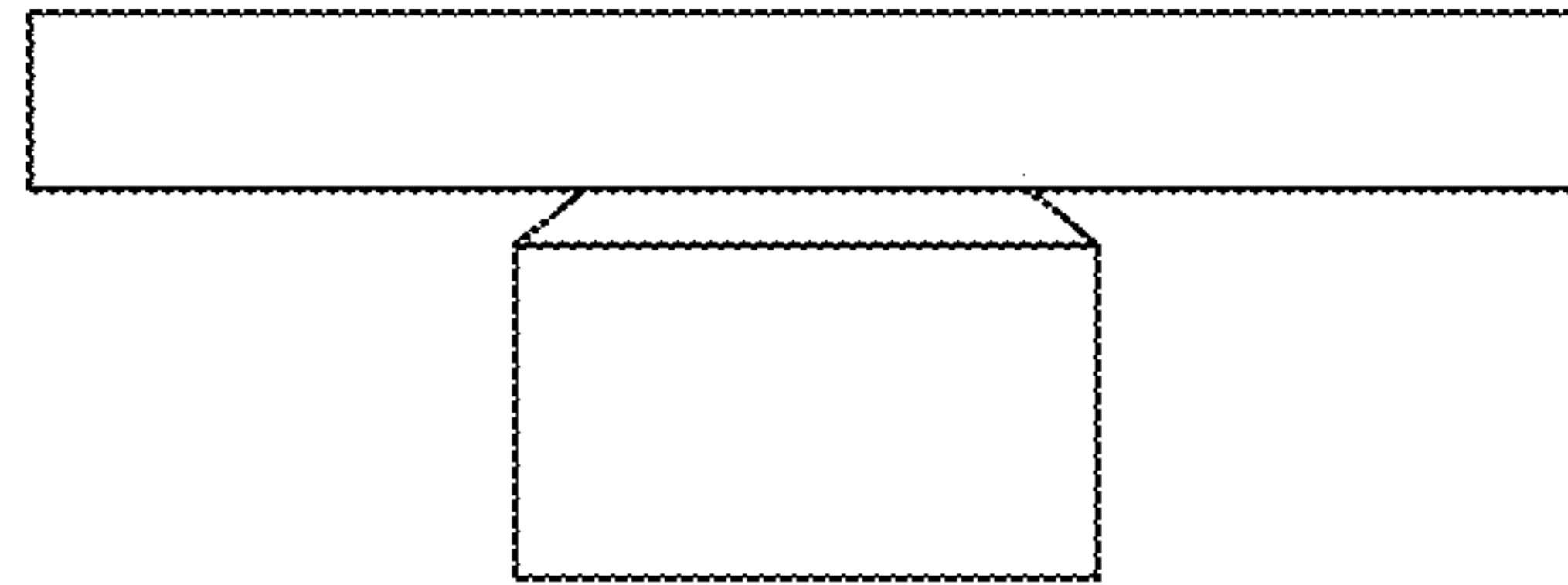


FIG. 37

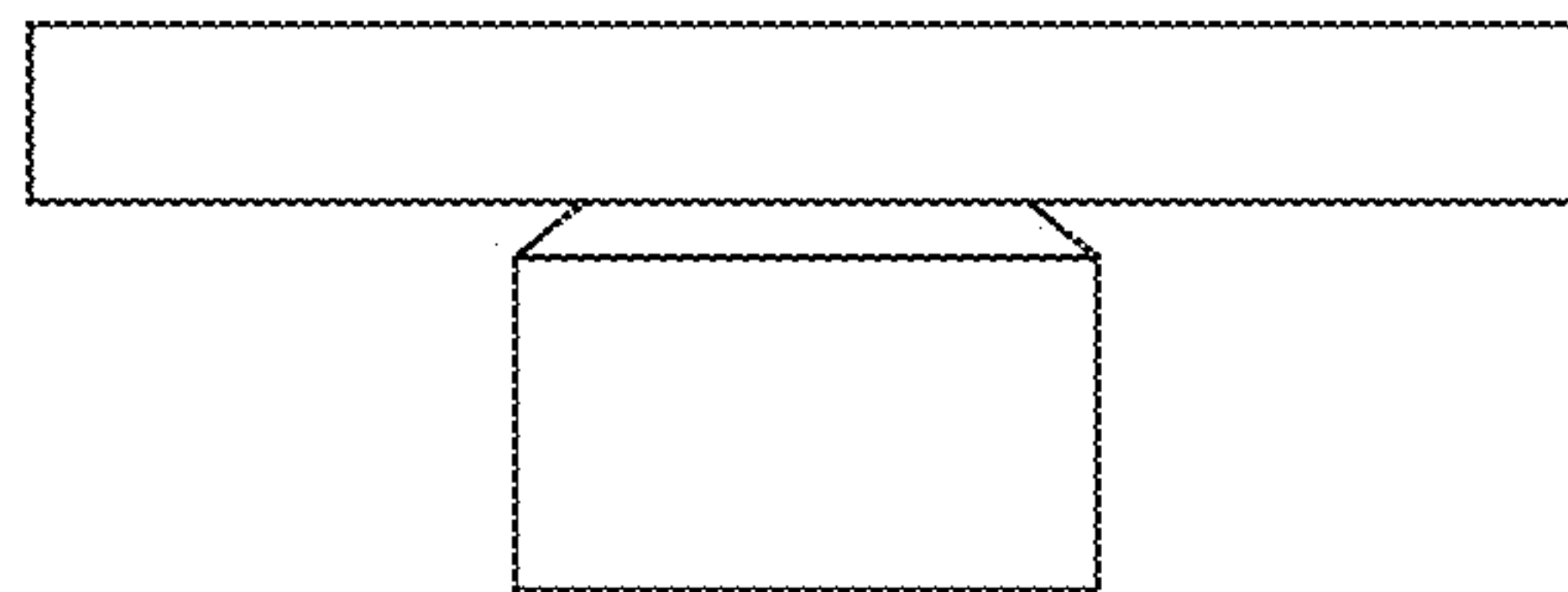


FIG. 38

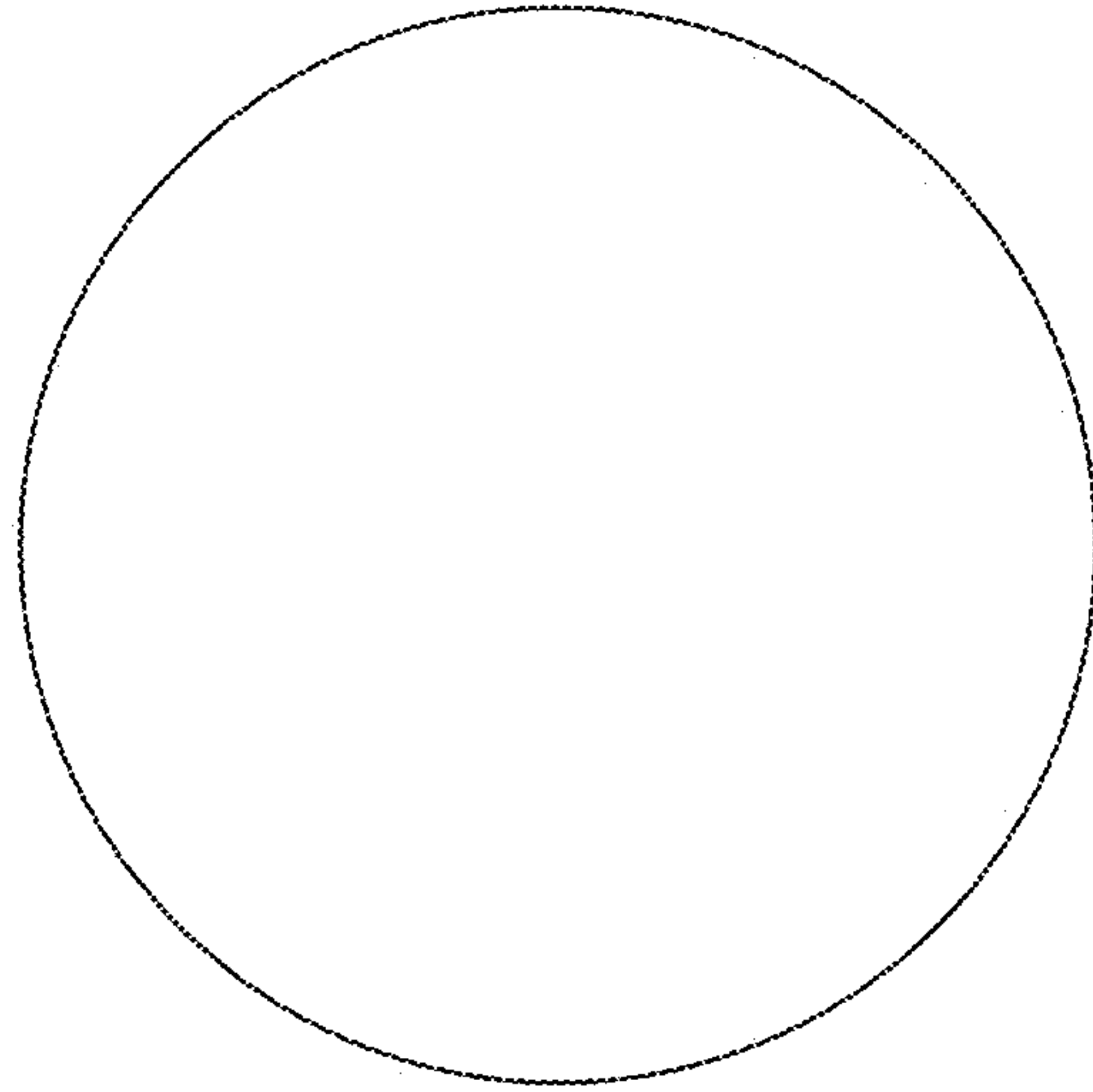


FIG. 39

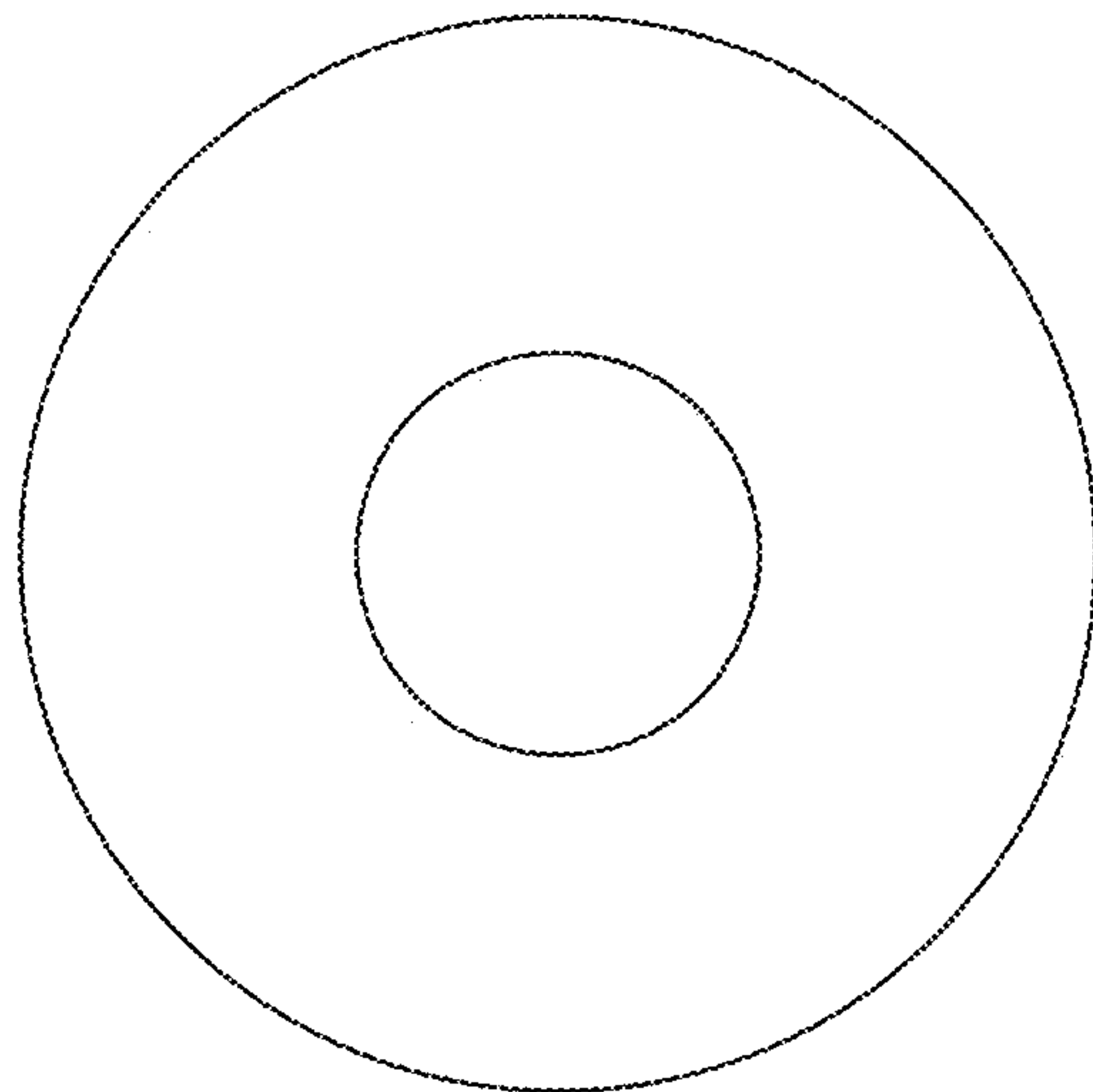


FIG. 40

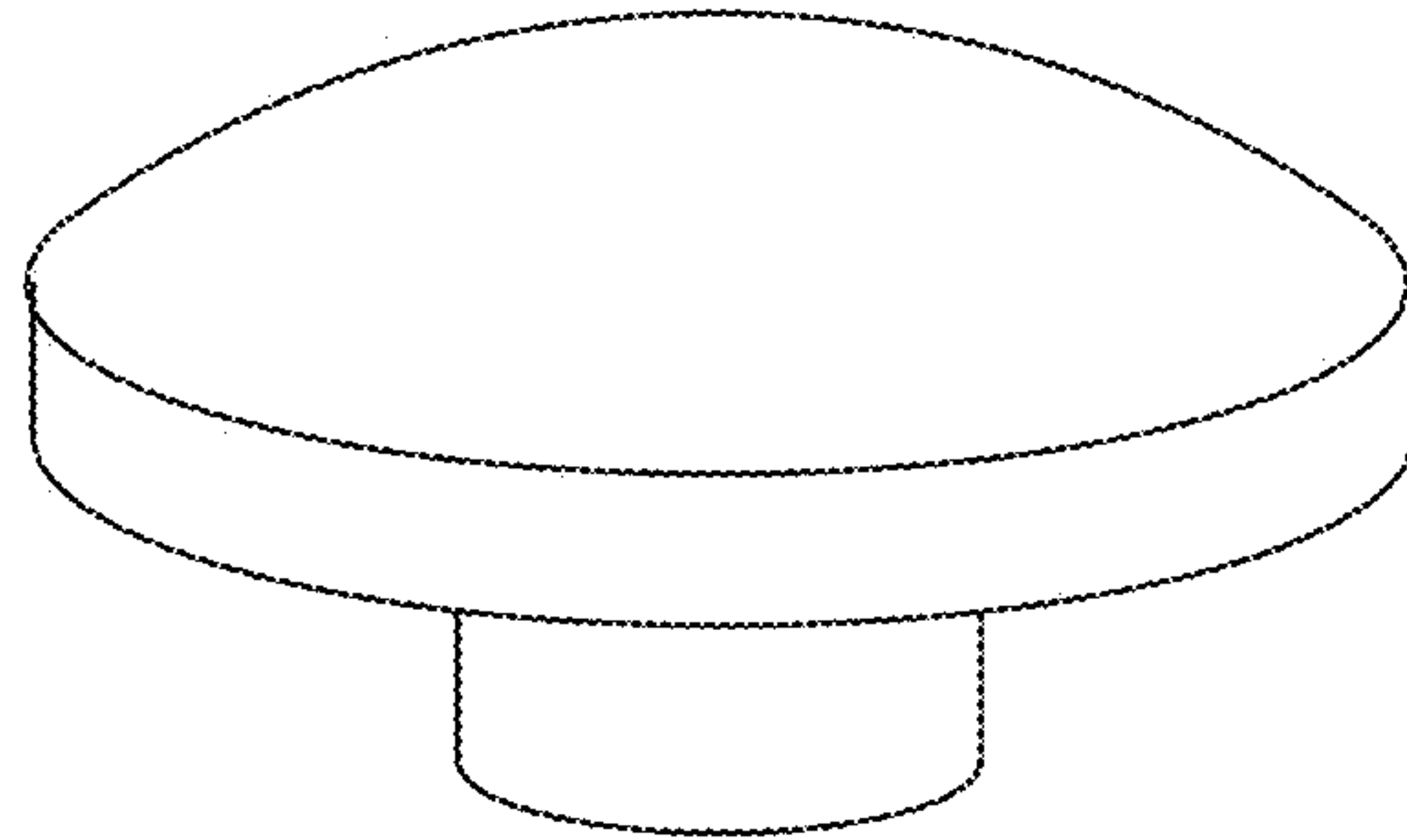


FIG. 41

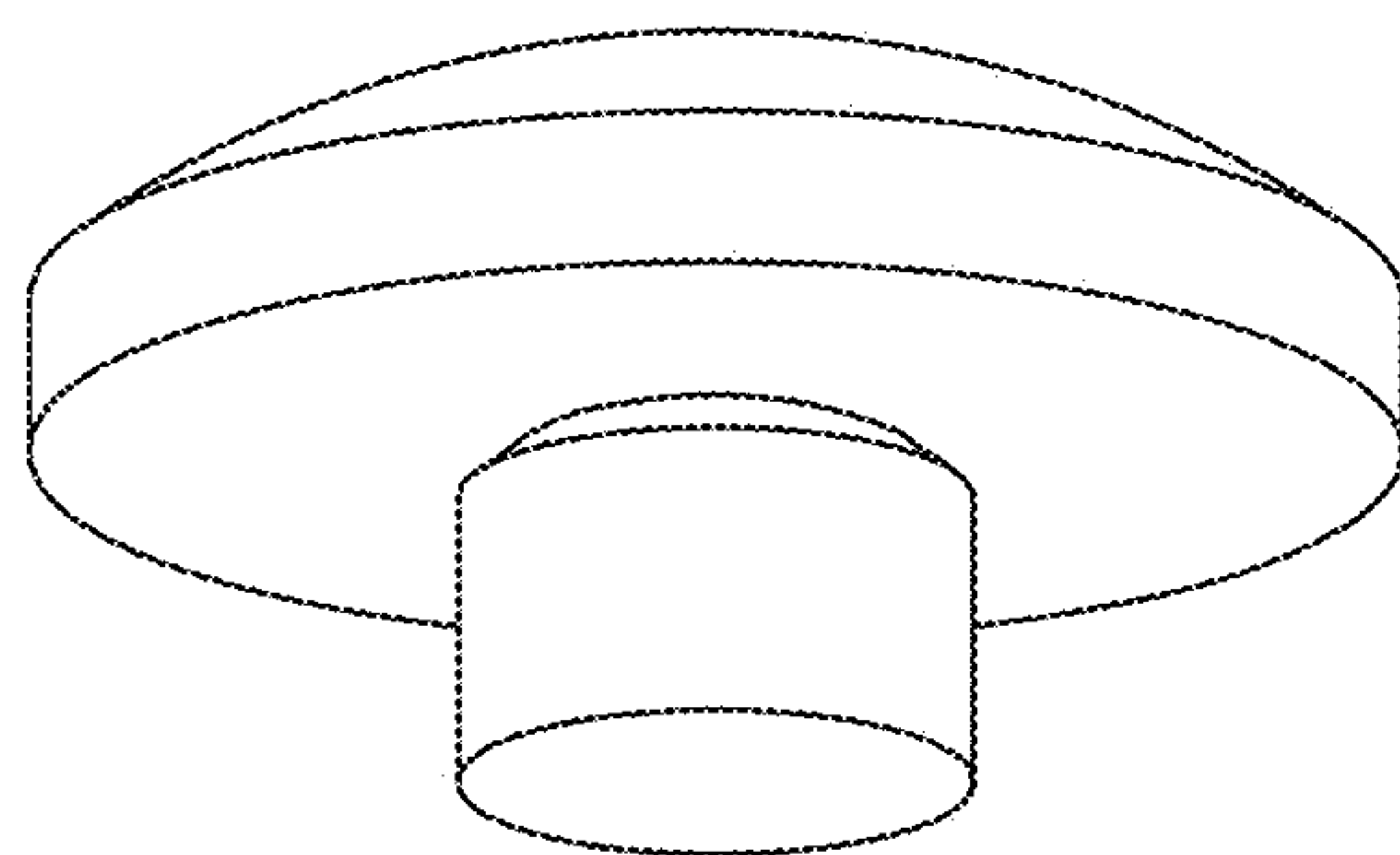


FIG. 42

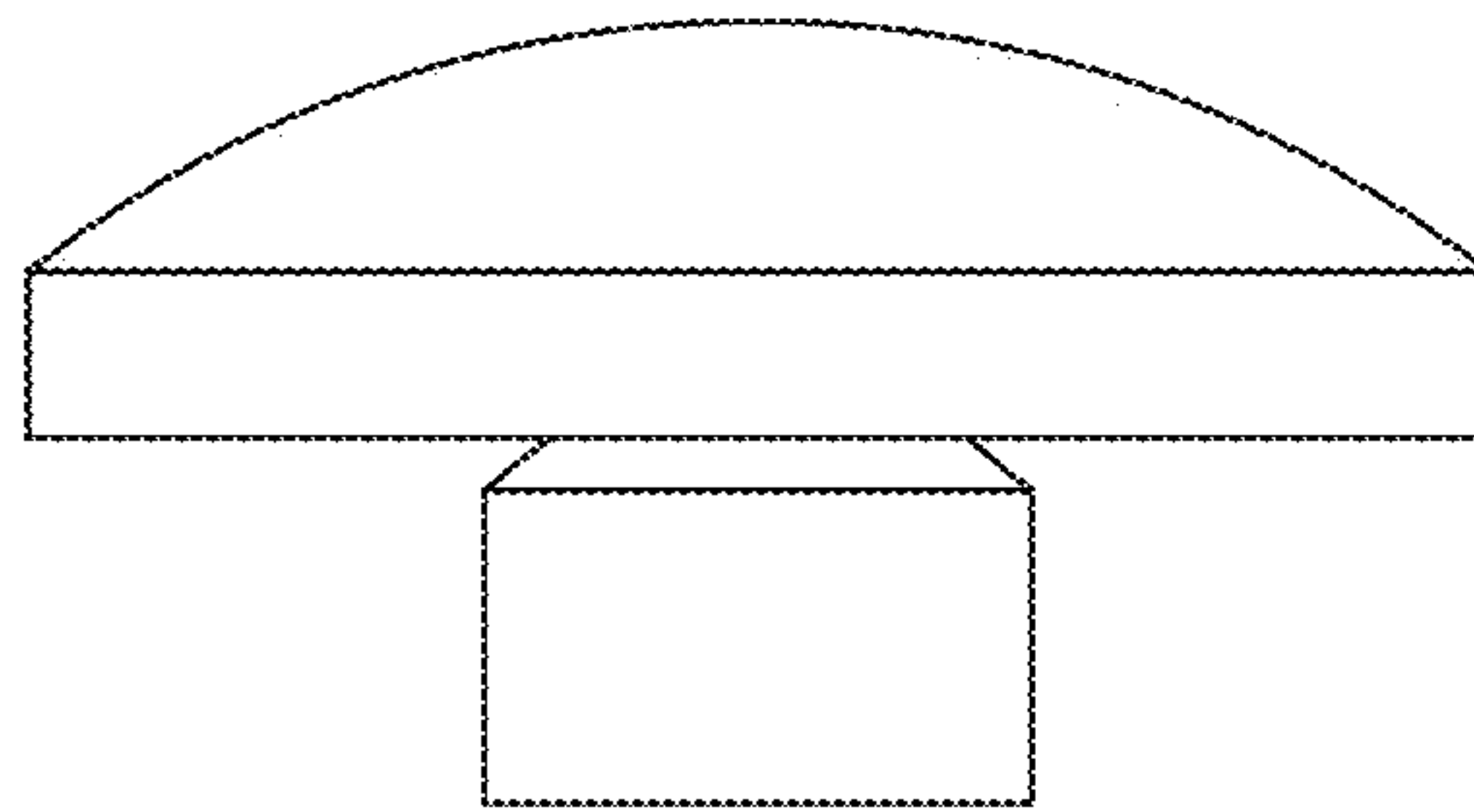


FIG. 43

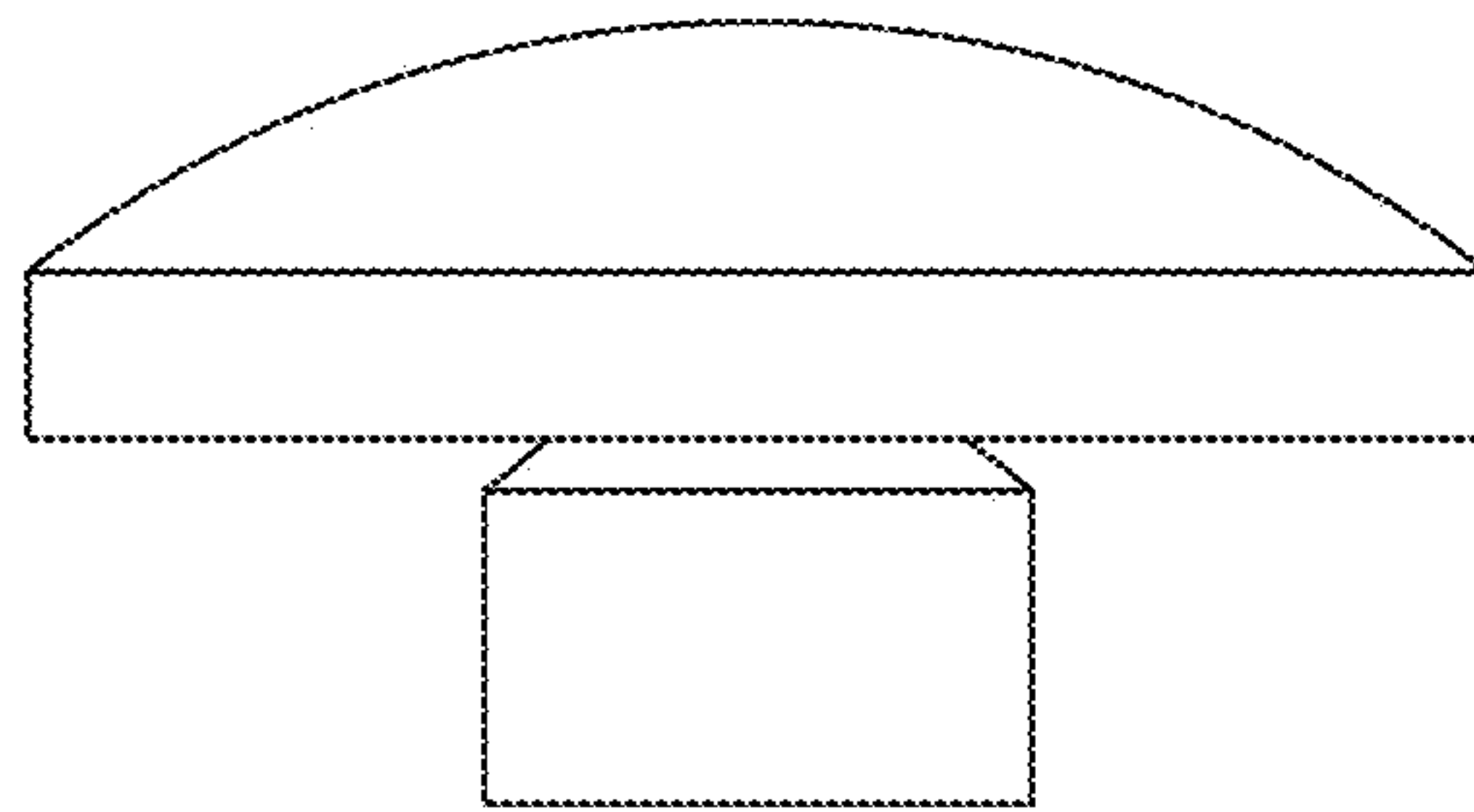


FIG. 44

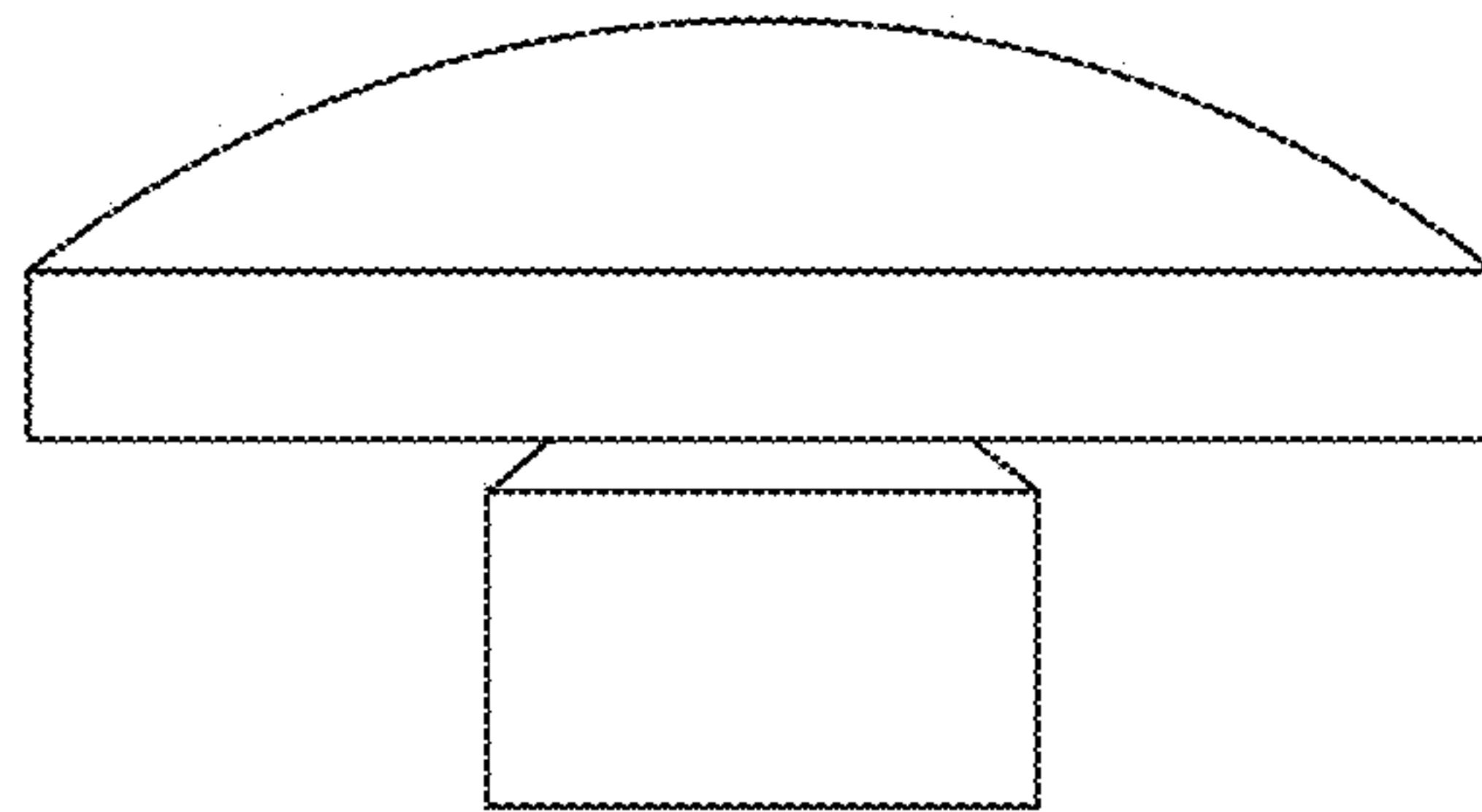


FIG. 45

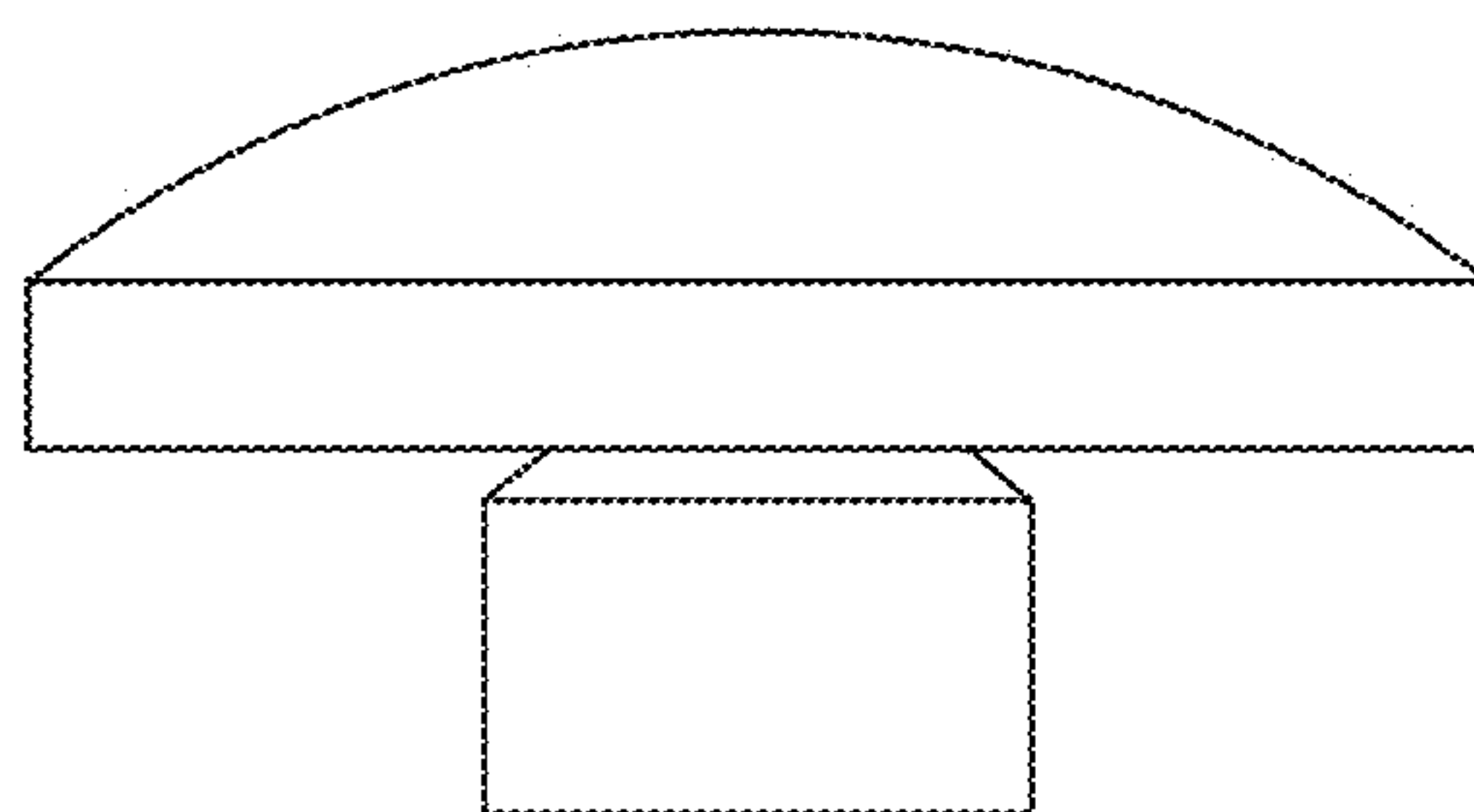


FIG. 46

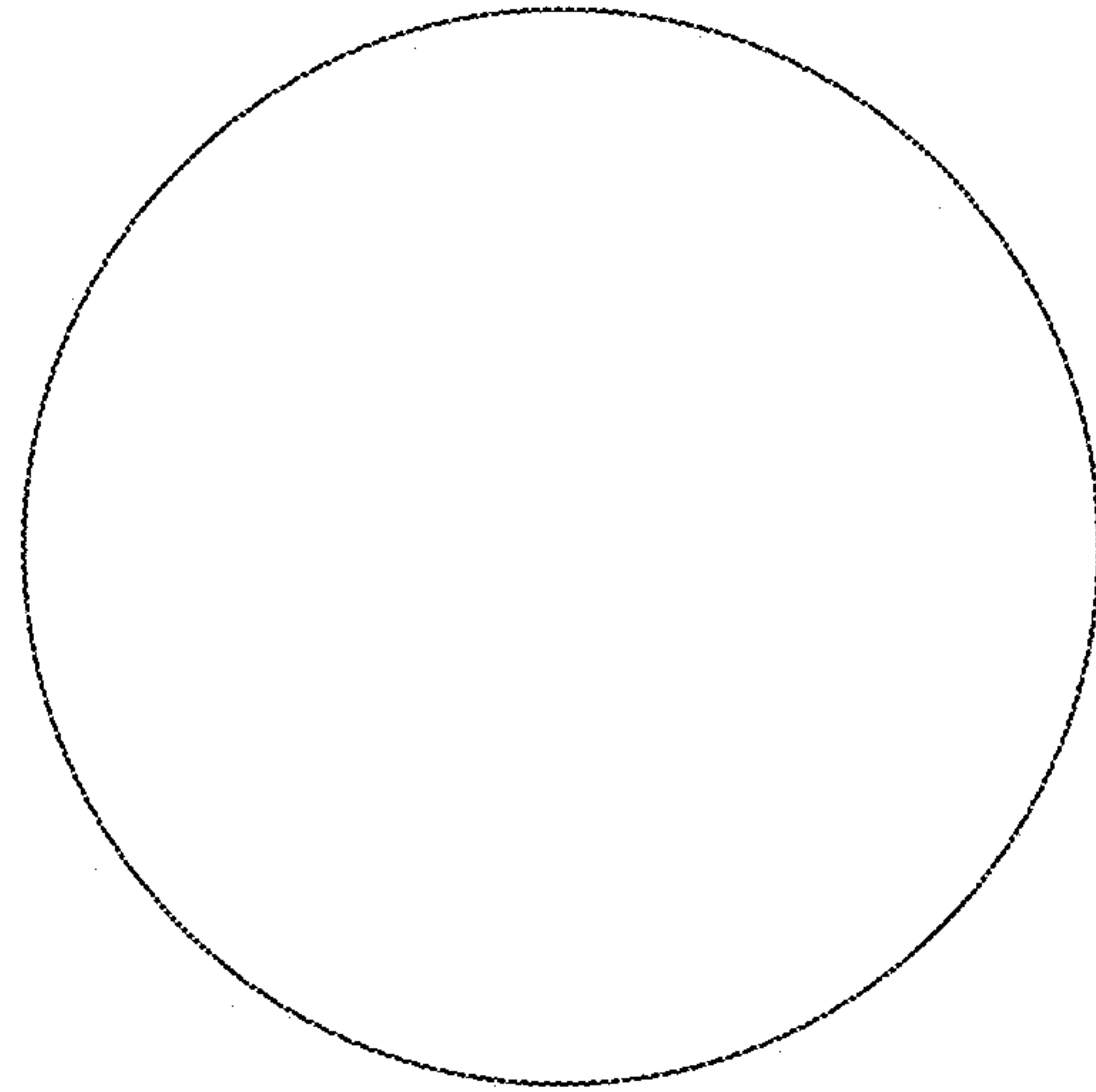


FIG. 47

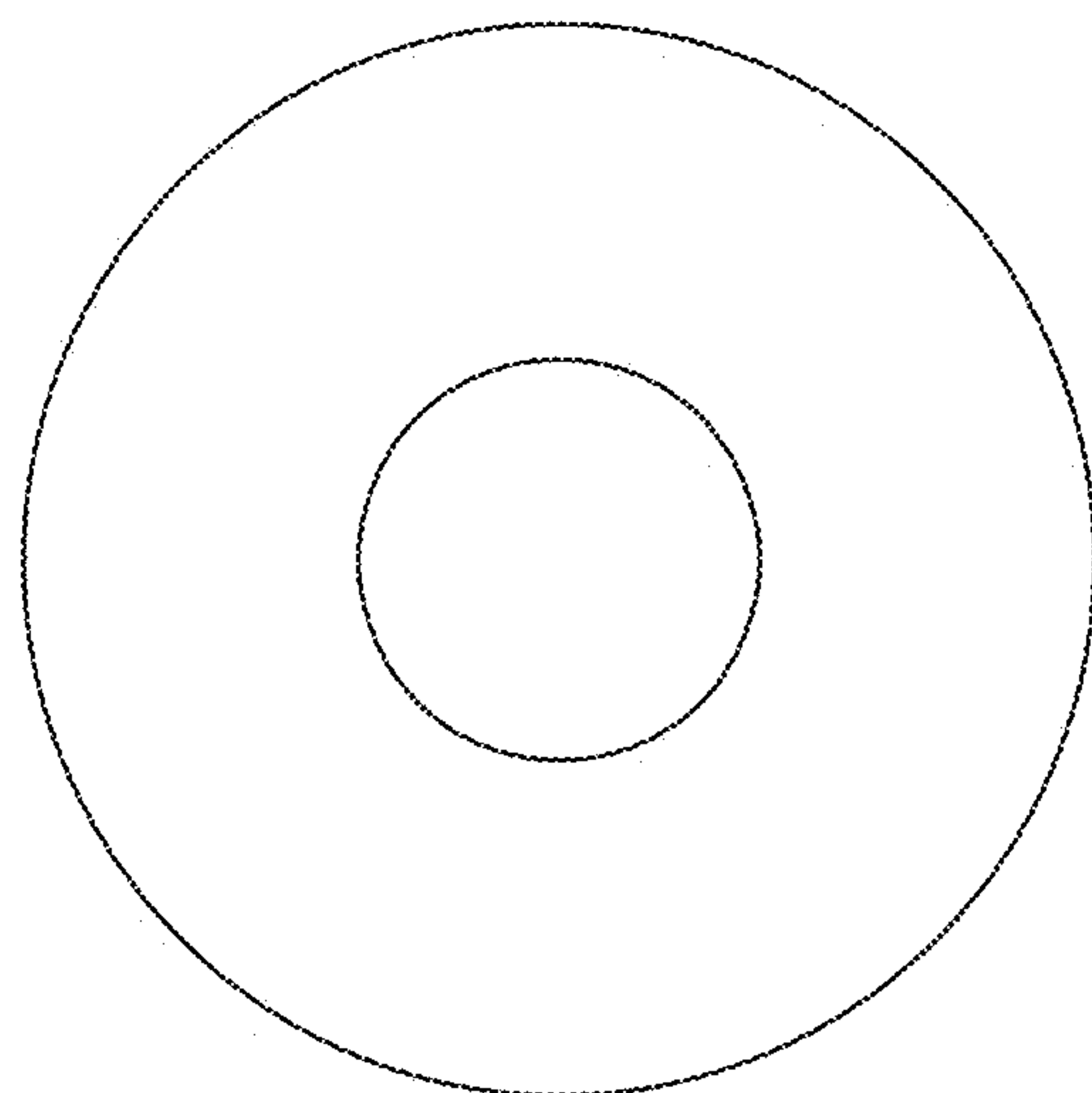


FIG. 48

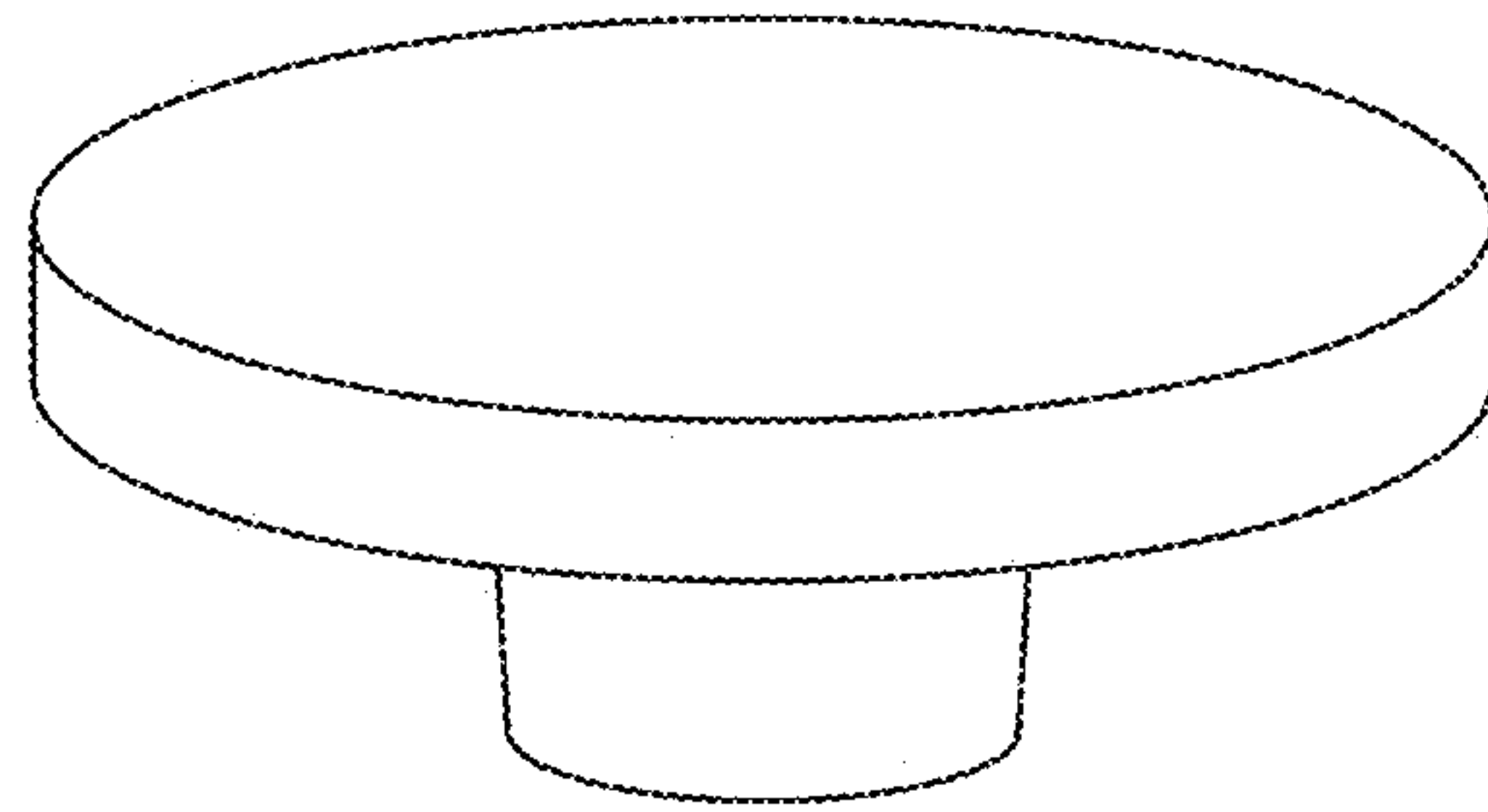


FIG. 49

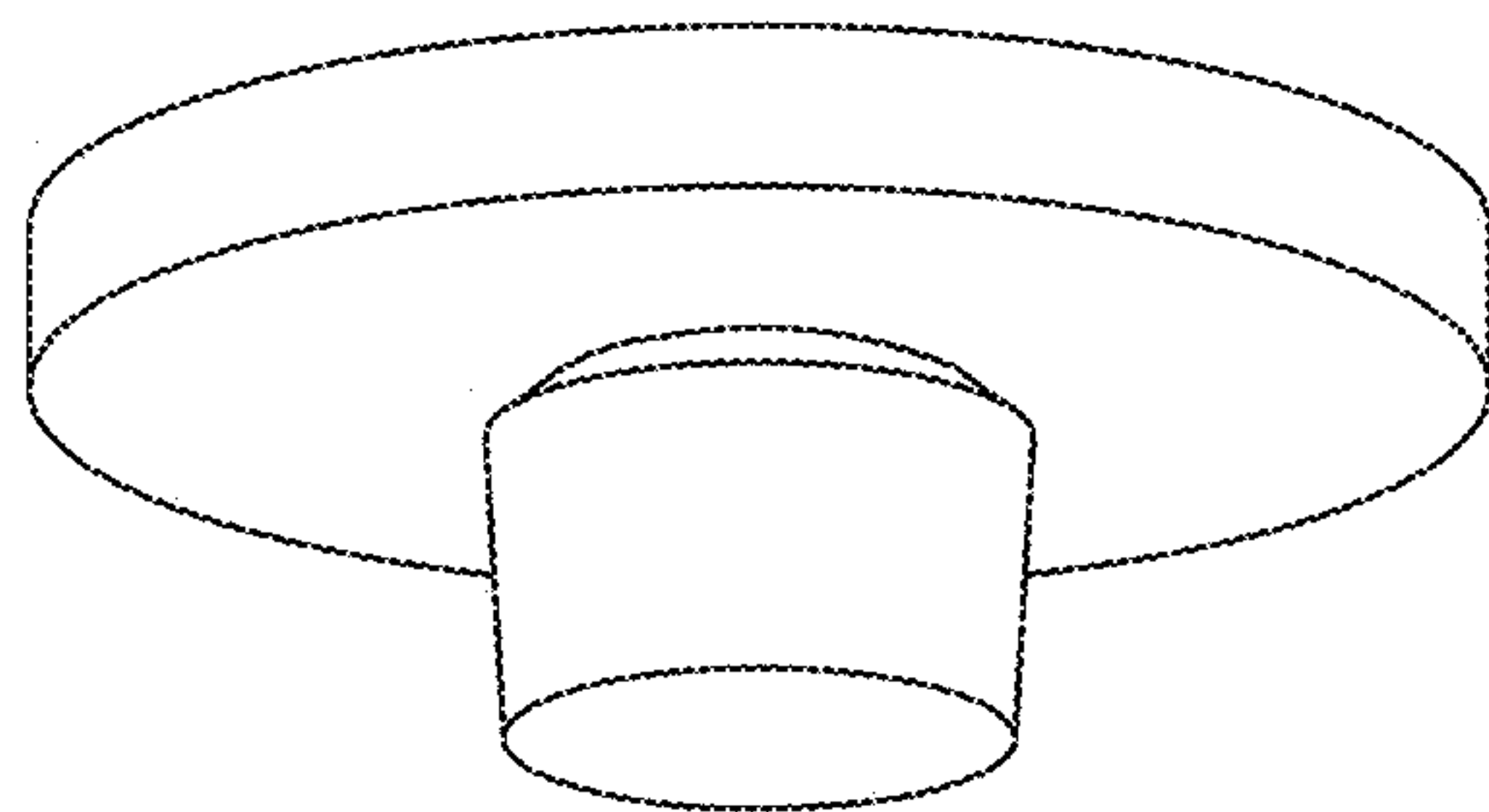


FIG. 50

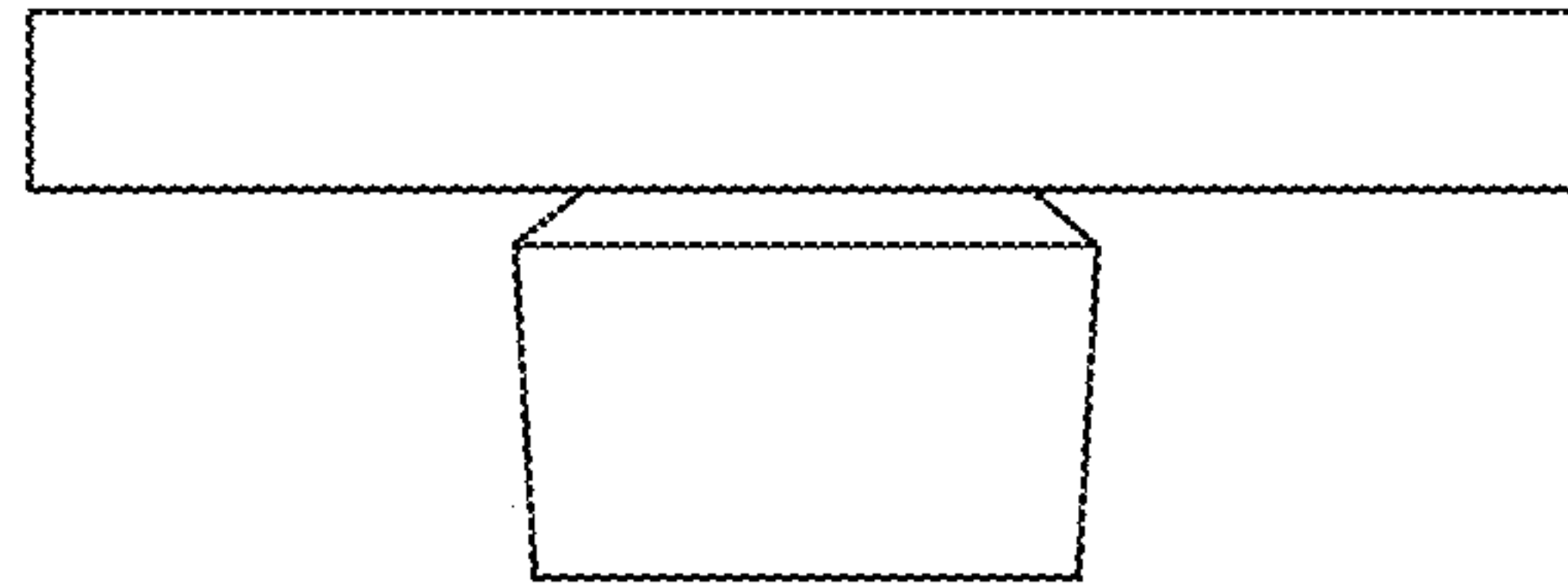


FIG. 51

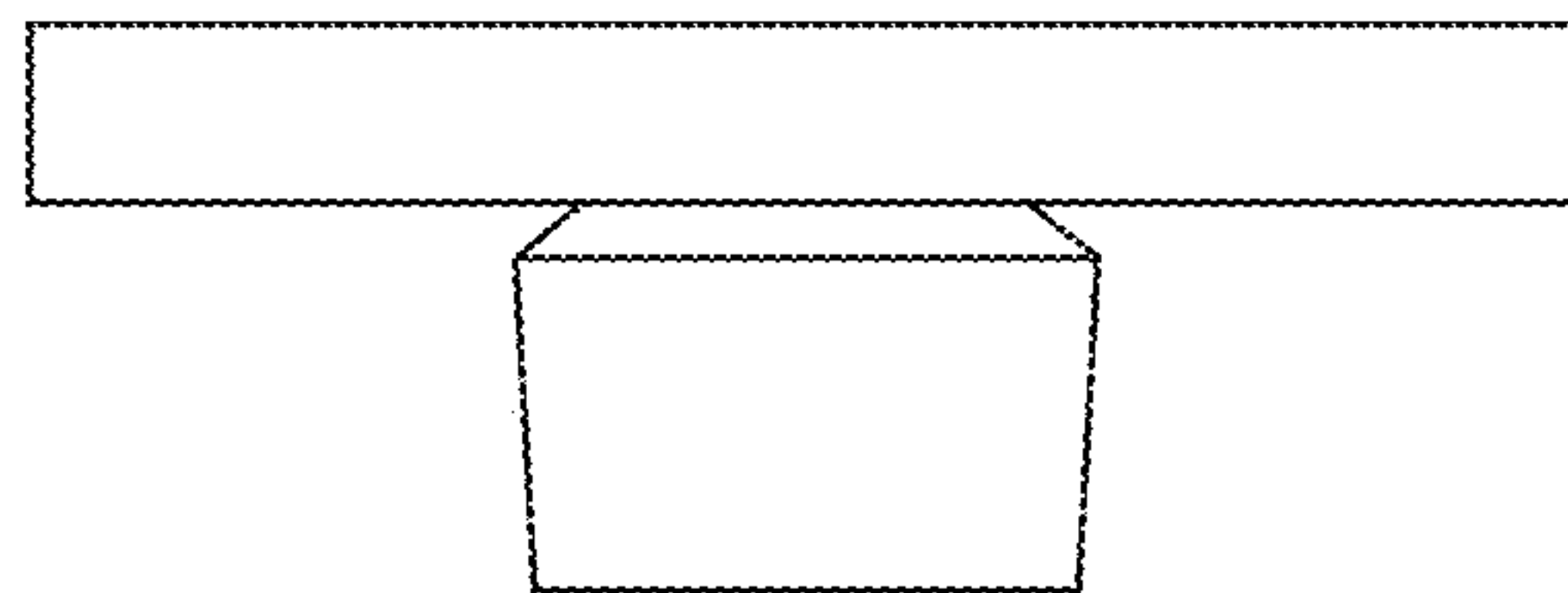


FIG. 52

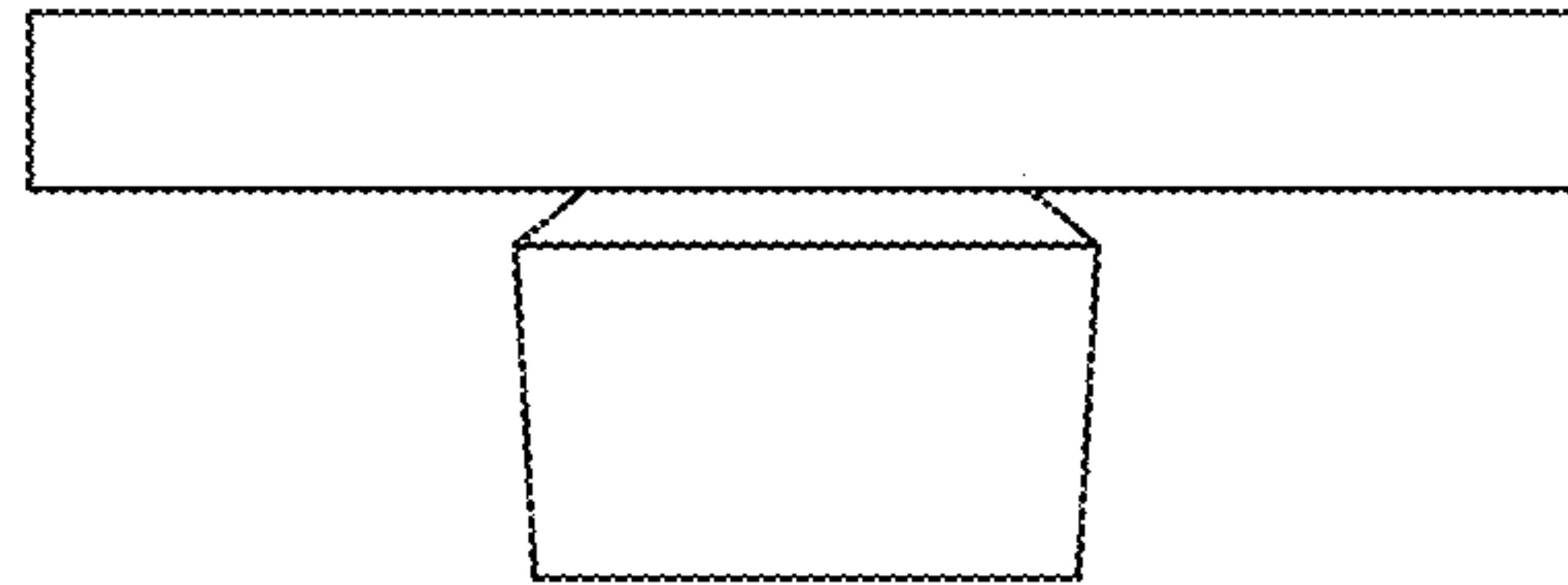


FIG. 53

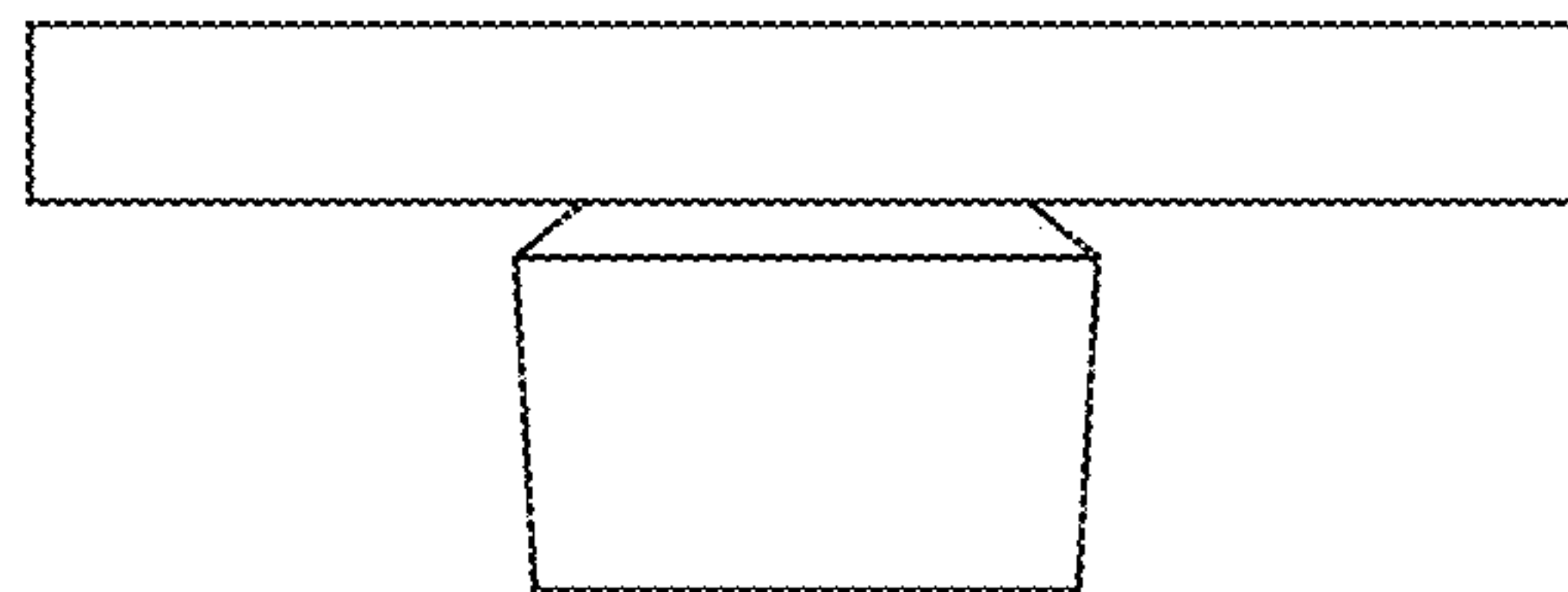


FIG. 54

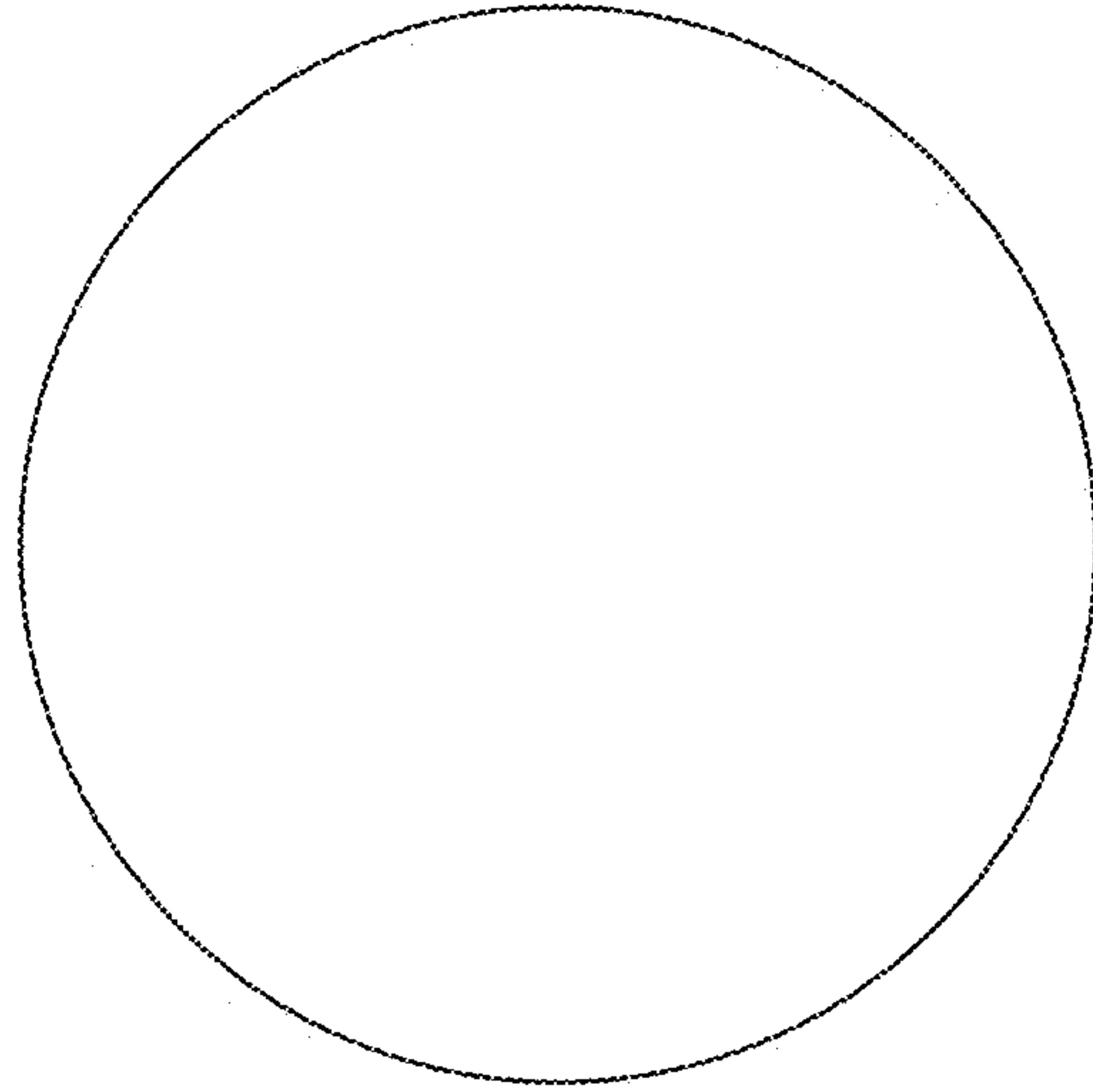


FIG. 55

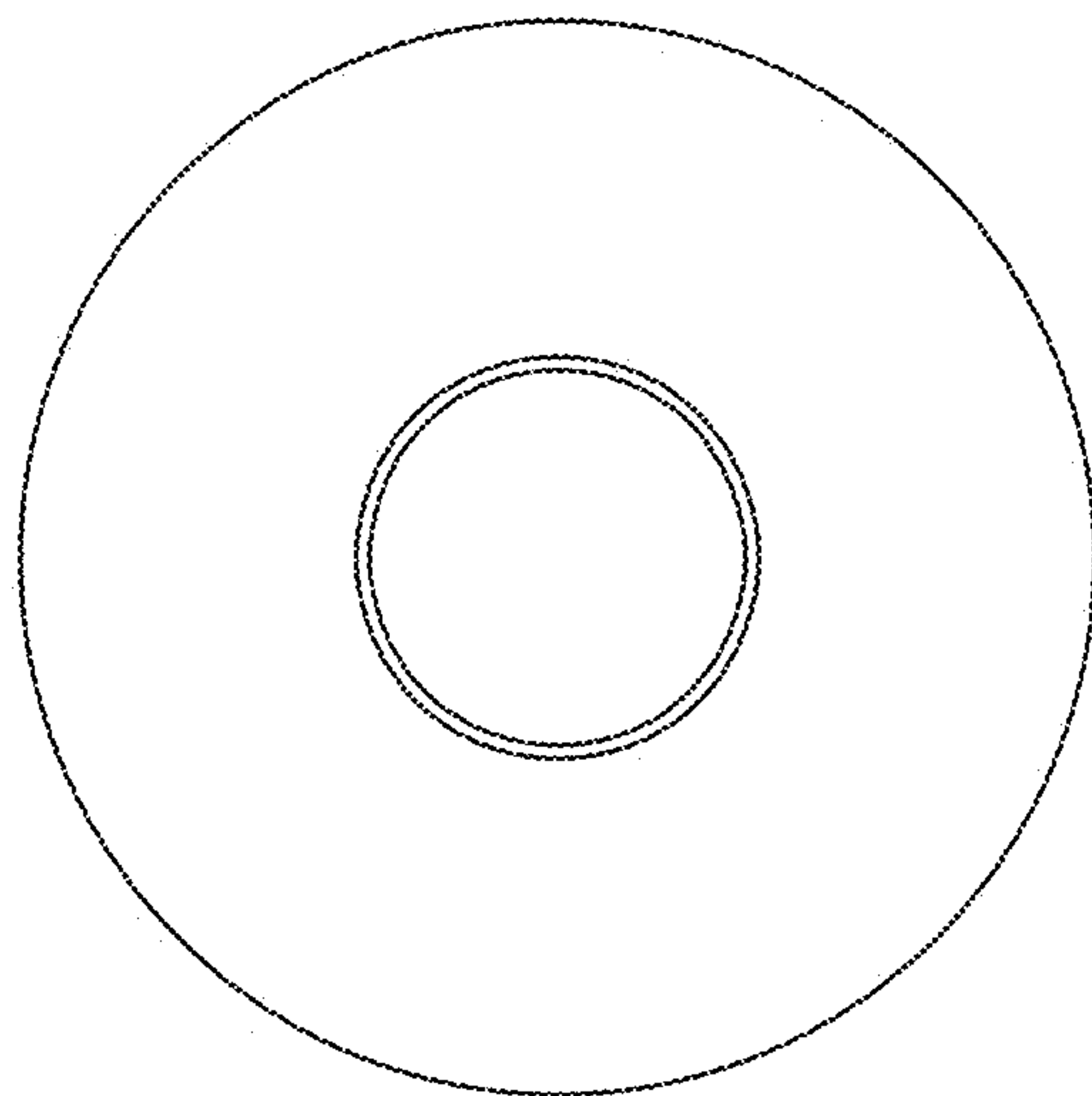


FIG. 56

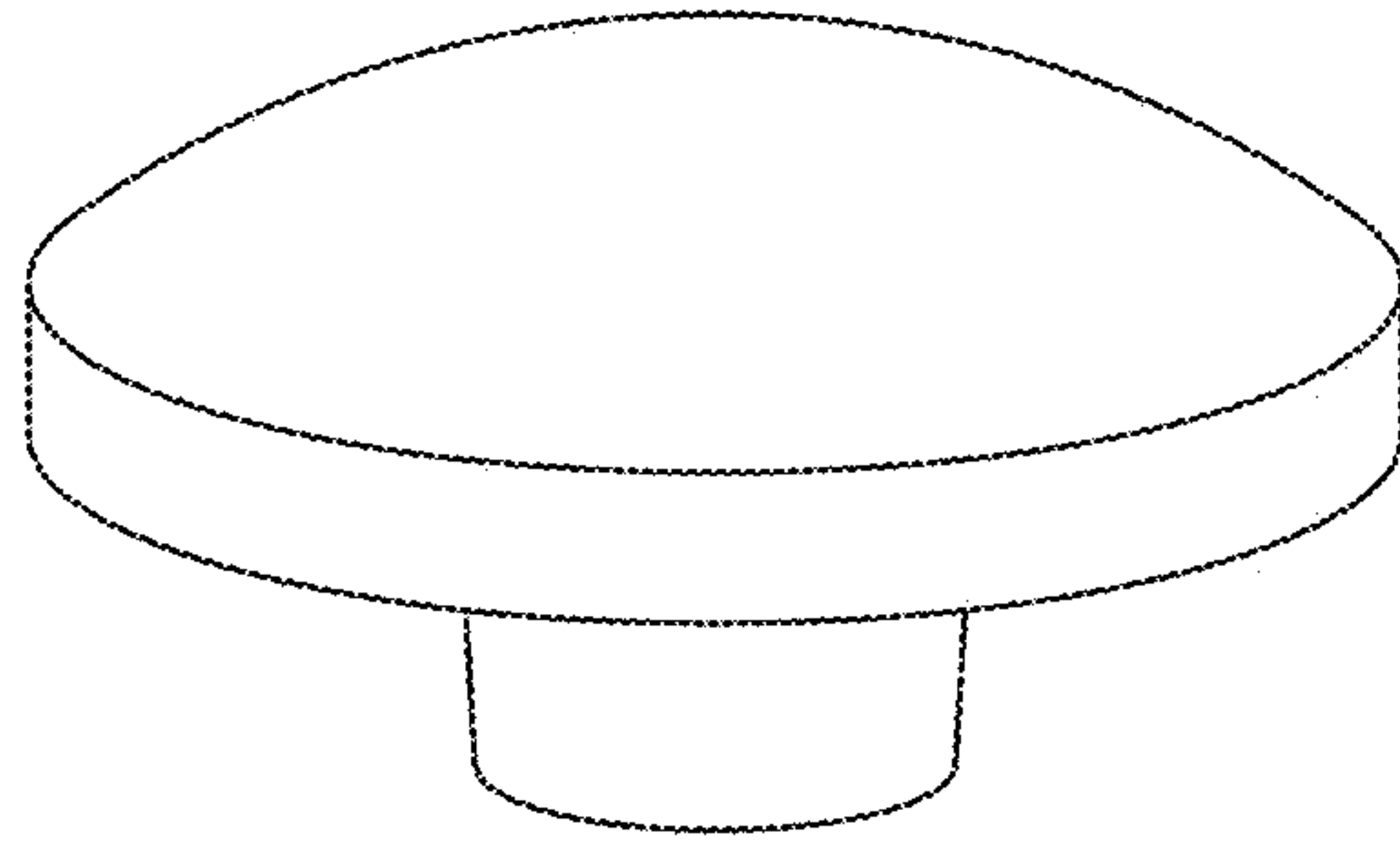


FIG. 57

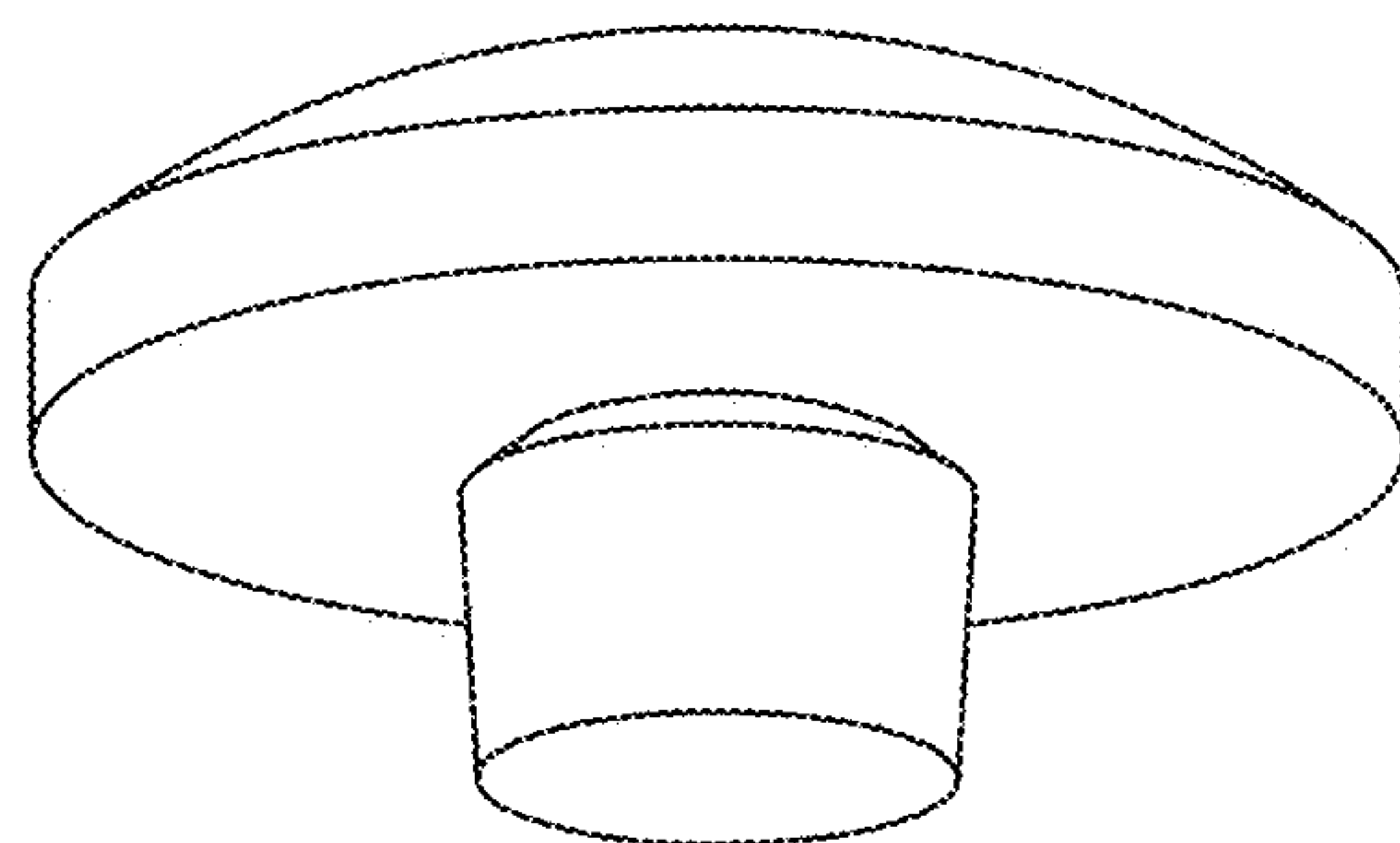


FIG. 58

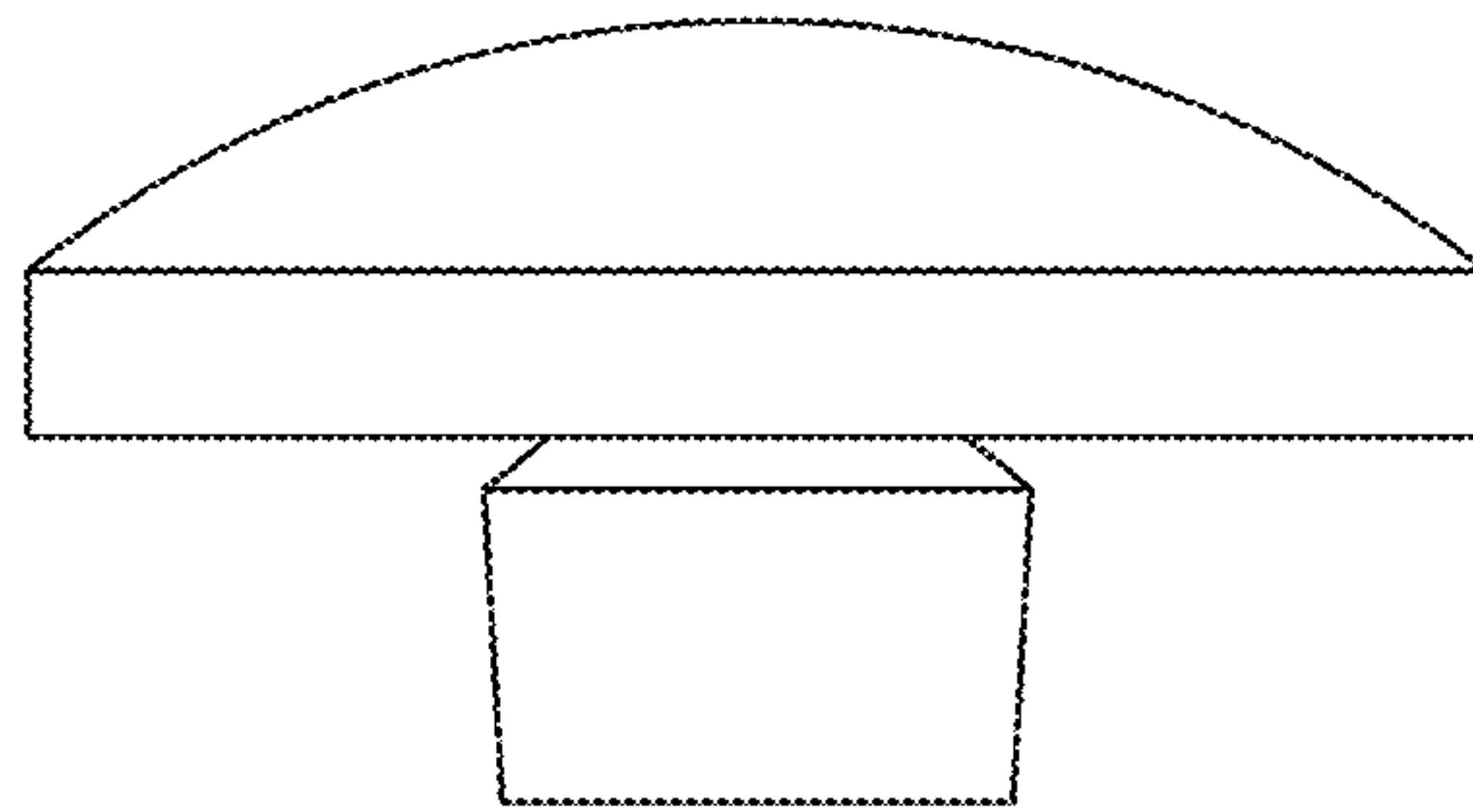


FIG. 59

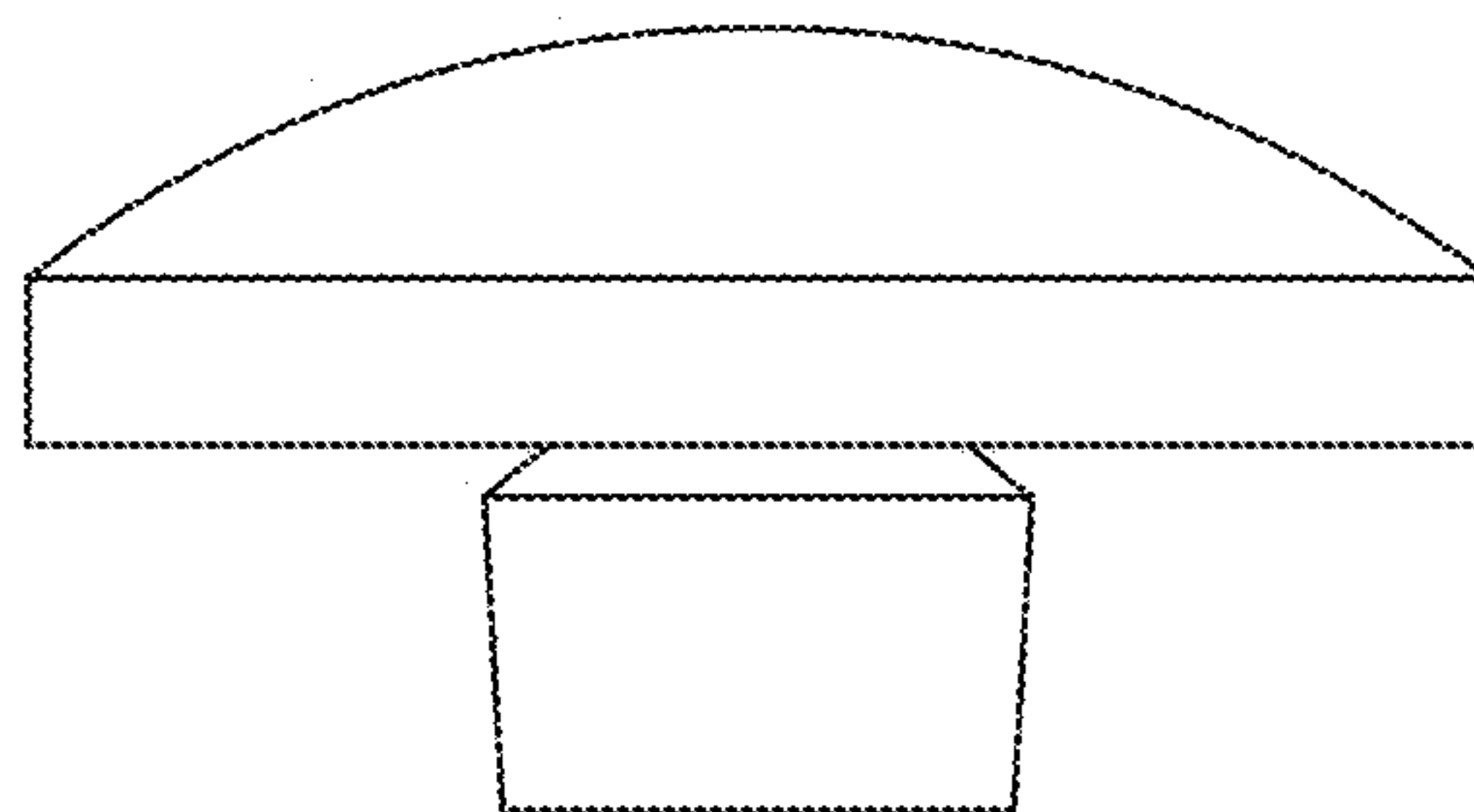


FIG. 60

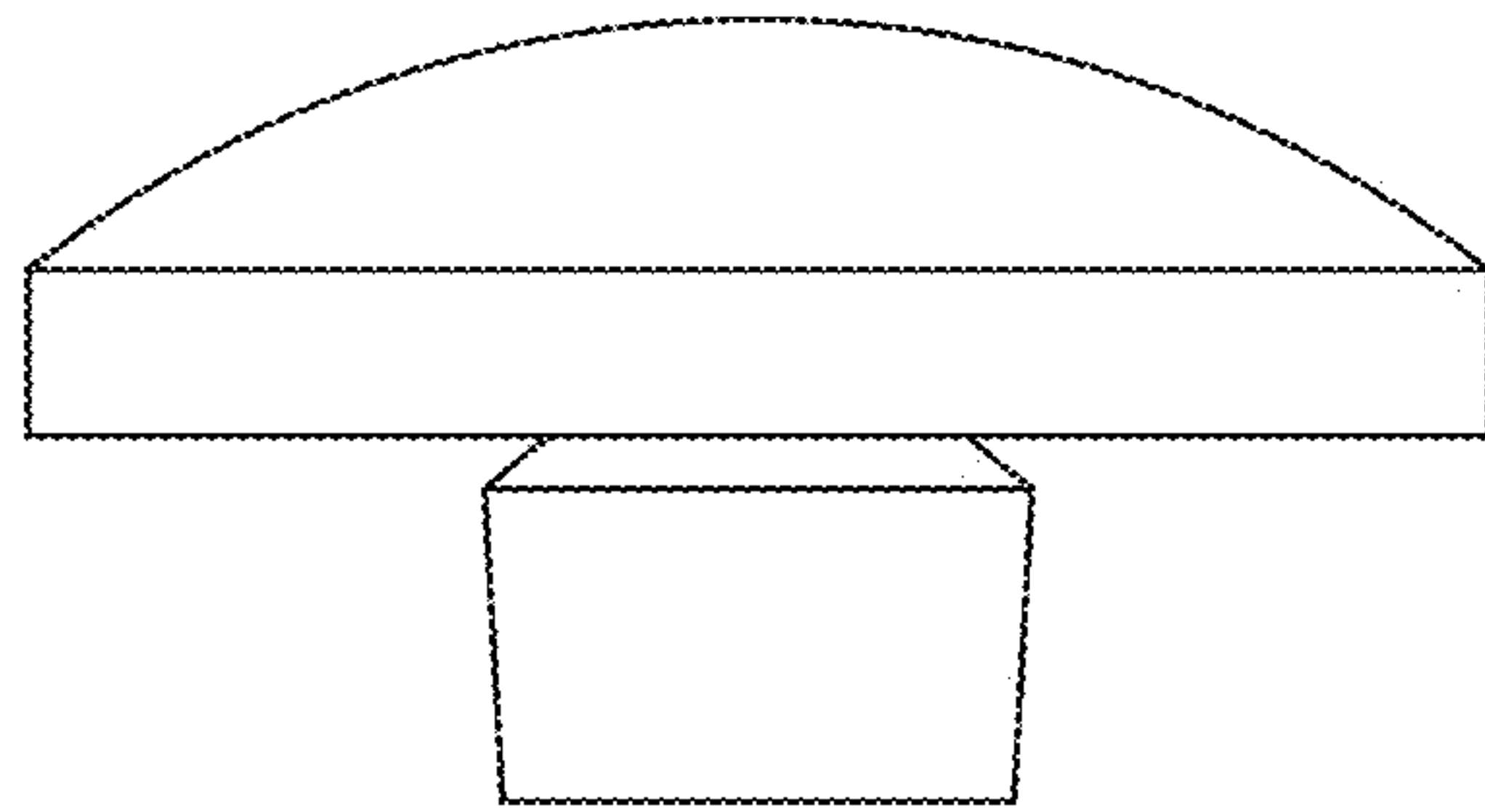


FIG. 61

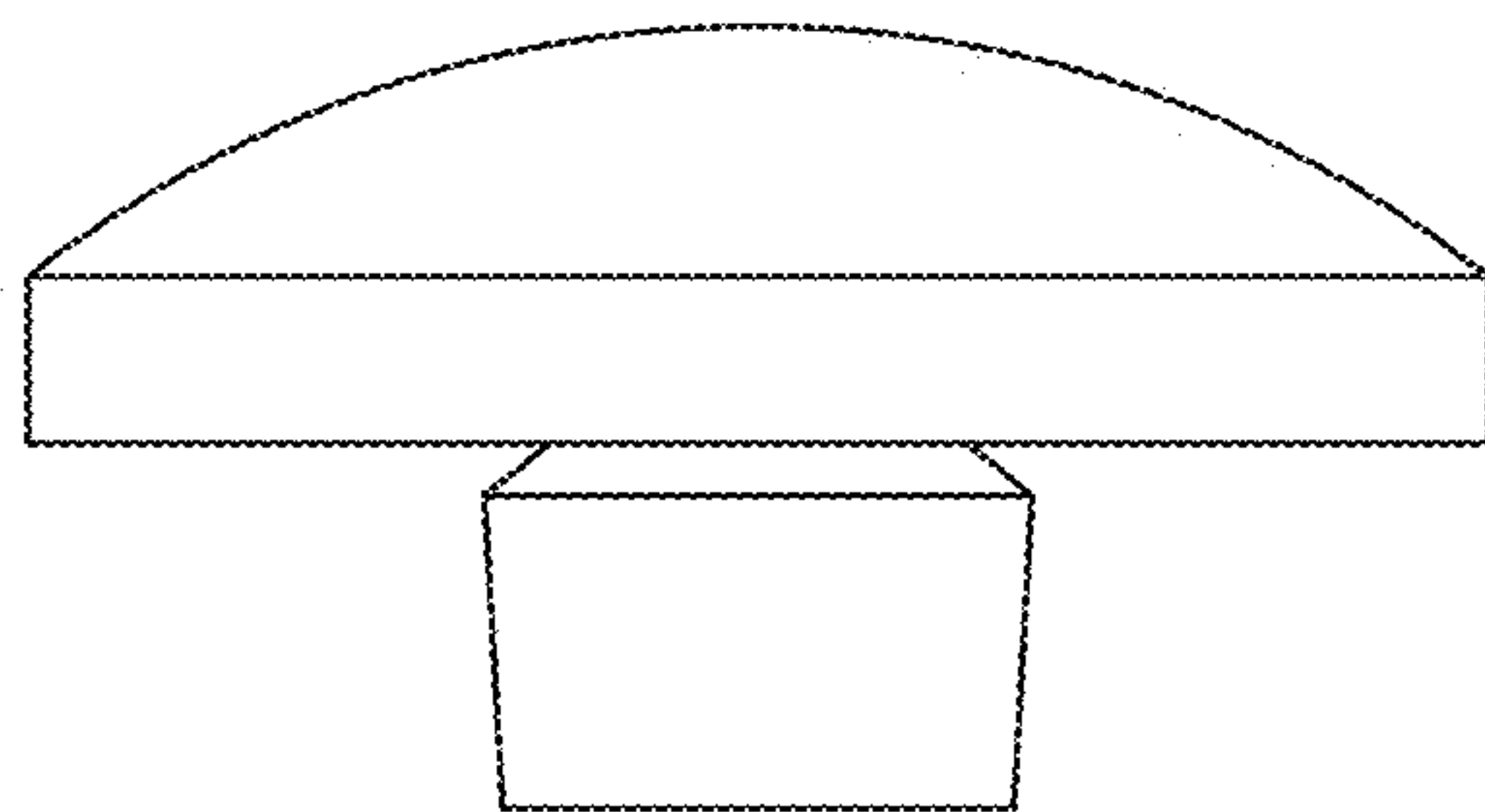


FIG. 62

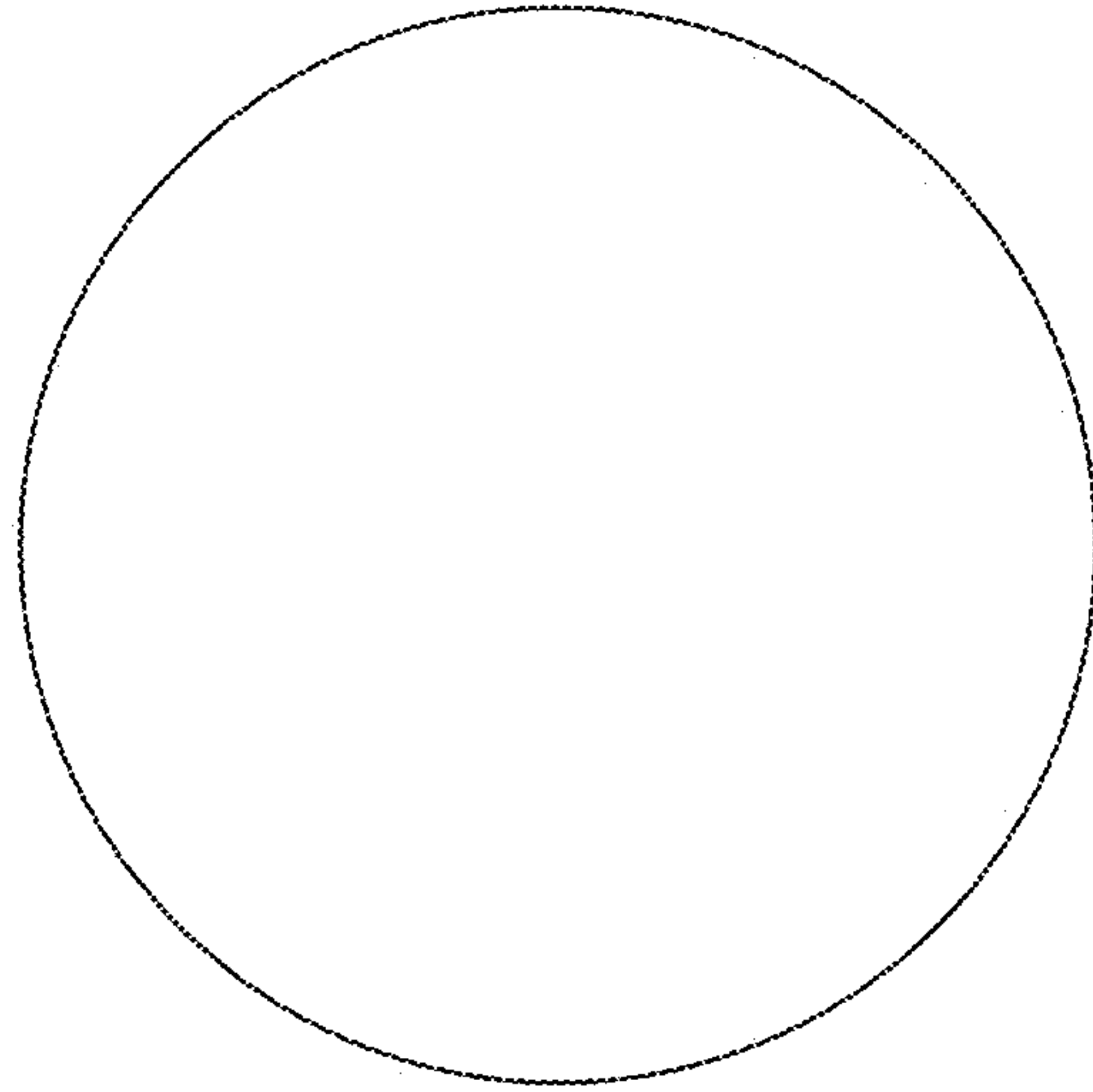


FIG. 63

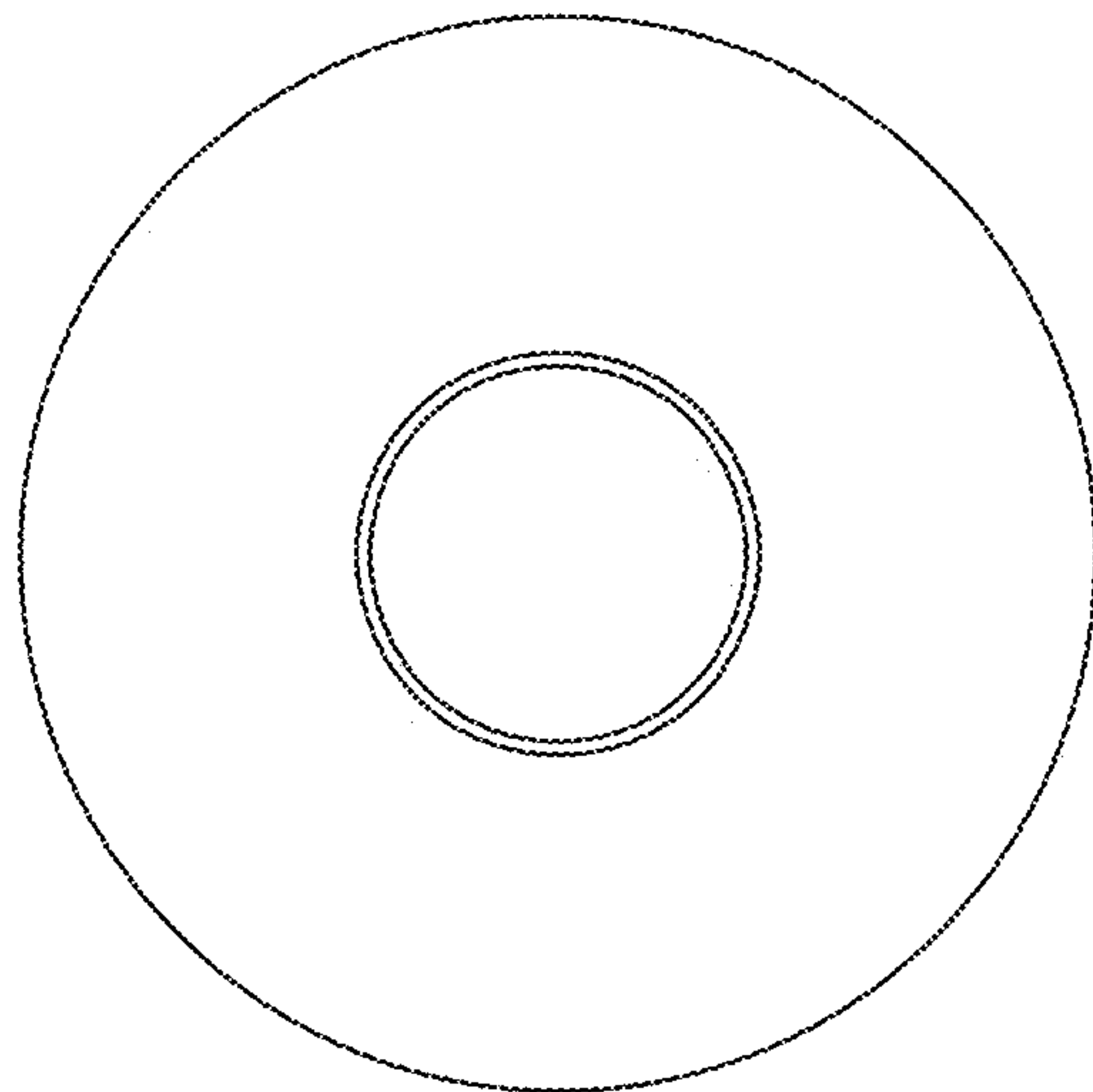


FIG. 64