



US00D905546S

(12) **United States Design Patent** (10) **Patent No.:** **US D905,546 S**
Liebelt (45) **Date of Patent:** **** Dec. 22, 2020**

(54) **FASTENER** 5,795,118 A * 8/1998 Osada B29C 65/0672
 411/171
 (71) Applicant: **ILLINOIS TOOL WORKS INC.,** 5,850,676 A * 12/1998 Takahashi B60R 13/0206
 Glenview, IL (US) 24/297
 5,975,820 A 11/1999 Kirchen
 (72) Inventor: **Scott Liebelt,** Eau Claire, WI (US) 6,364,586 B1 * 4/2002 Okada F16B 19/1081
 411/41
 6,431,585 B1 8/2002 Rickabus et al.
 (73) Assignee: **Illinois Tool Works Inc.,** Glenview, IL 7,033,121 B2 4/2006 Kirchen
 (US) 7,207,759 B2 * 4/2007 Kato F16B 19/1081
 411/41
 (**) Term: **15 Years** 7,690,876 B2 * 4/2010 Kawai F16B 19/1081
 411/45

(Continued)

(21) Appl. No.: **29/675,678**
 (22) Filed: **Jan. 4, 2019**
 (51) **LOC (12) Cl.** **08-08**
 (52) **U.S. Cl.**
 USPC **D8/382**
 (58) **Field of Classification Search**
 USPC D8/382, 349, 385
 CPC F16B 13/06; F16B 19/1081; F16B 19/08;
 F16B 19/10; F16B 21/086; F16B 21/07;
 F16B 21/075; F16B 21/082; F16B 21/08
 See application file for complete search history.

Primary Examiner — Sandra Snapp
Assistant Examiner — Ieisha N Price
 (74) *Attorney, Agent, or Firm* — Quarles & Brady LLP

(57) **CLAIM**

The ornamental design for a fastener, as shown and described.

DESCRIPTION

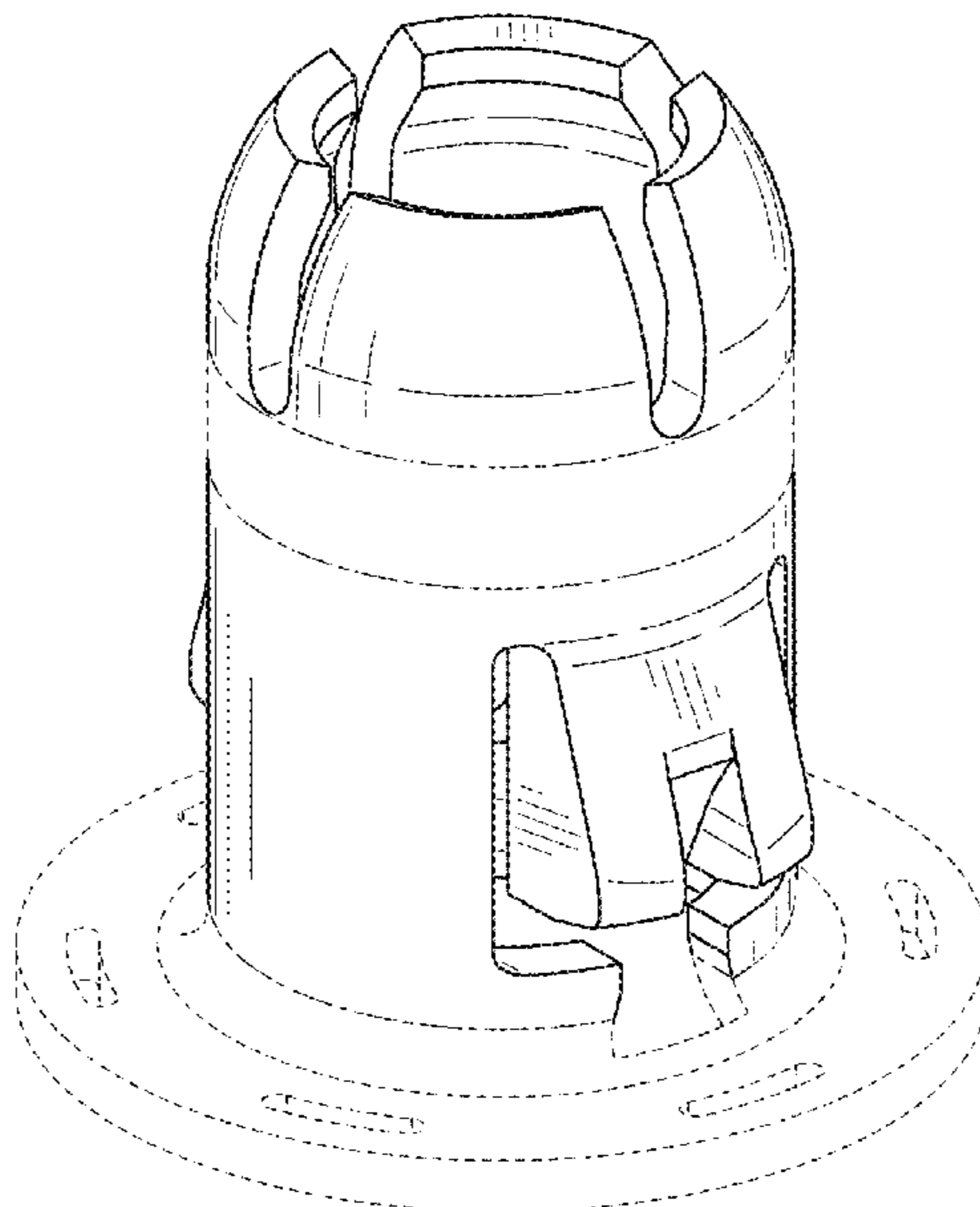
FIG. 1 is an isometric view of a front, top, and right side of an ornamental design for a fastener;
 FIG. 2 is an isometric view of a front, bottom, and right side of the fastener of FIG. 1;
 FIG. 3 is a front elevational view of the fastener of FIG. 1;
 FIG. 4 is a rear elevational view of the fastener of FIG. 1;
 FIG. 5 is a right side elevational view of the fastener of FIG. 1;
 FIG. 6 is a left side elevational view of the fastener of FIG. 1;
 FIG. 7 is a top plan view of the fastener of FIG. 1; and,
 FIG. 8 is a bottom plan view of the fastener of FIG. 1.
 The dashed broken lines in the drawings illustrate portions of the fastener and form no part of the claimed design. The dot-dash-dot broken lines in the drawings define the bounds of the claim and form no part thereof.

(56) **References Cited**

U.S. PATENT DOCUMENTS

D273,091 S * 3/1984 Kurosaki D8/382
 4,927,287 A * 5/1990 Ohkawa F16B 21/086
 24/297
 4,952,106 A * 8/1990 Kubogochi F16B 19/1081
 411/48
 5,375,954 A * 12/1994 Eguchi F16B 19/1081
 411/41
 5,435,679 A 7/1995 Barry
 5,499,737 A * 3/1996 Kraus F16B 21/086
 138/89
 5,507,610 A 4/1996 Benedetti et al.
 5,632,581 A * 5/1997 Hasada F16B 19/1081
 411/48

1 Claim, 4 Drawing Sheets



(56)

References Cited

U.S. PATENT DOCUMENTS

D665,245 S * 8/2012 Nakazato D8/382
8,348,568 B2 * 1/2013 Murakami F16B 19/1081
411/45
8,662,807 B2 * 3/2014 Adachi F16B 19/1081
411/45
8,769,779 B2 7/2014 Lee
9,061,379 B1 6/2015 Mead et al.
9,303,672 B2 * 4/2016 Lepper F16B 19/1027
9,879,707 B2 1/2018 Watanabe
D824,747 S * 8/2018 Briesse D8/343
10,113,577 B2 10/2018 Kanie
2002/0026693 A1 3/2002 Akema et al.
2002/0094253 A1 * 7/2002 Enomoto F16B 19/1081
411/41
2004/0013481 A1 1/2004 Jeppesen
2004/0020016 A1 * 2/2004 Yoneoka F16B 19/1081
24/297
2006/0171793 A1 8/2006 Kawai et al.
2008/0298925 A1 * 12/2008 Shinozaki F16B 21/086
411/48
2011/0014005 A1 * 1/2011 Shinozaki F16B 21/086
411/347
2012/0057948 A1 * 3/2012 Jeon F16B 19/1081
411/357
2012/0210546 A1 * 8/2012 Jang A63H 33/101
24/615
2012/0230796 A1 * 9/2012 McClure F16B 19/1081
411/80.1
2014/0099156 A1 * 4/2014 Weber B60J 1/1815
403/119
2016/0348707 A1 * 12/2016 Wu
2020/0141440 A1 * 5/2020 Liebelt F16B 21/07
2020/0217345 A1 * 7/2020 Liebelt F16B 21/075

* cited by examiner

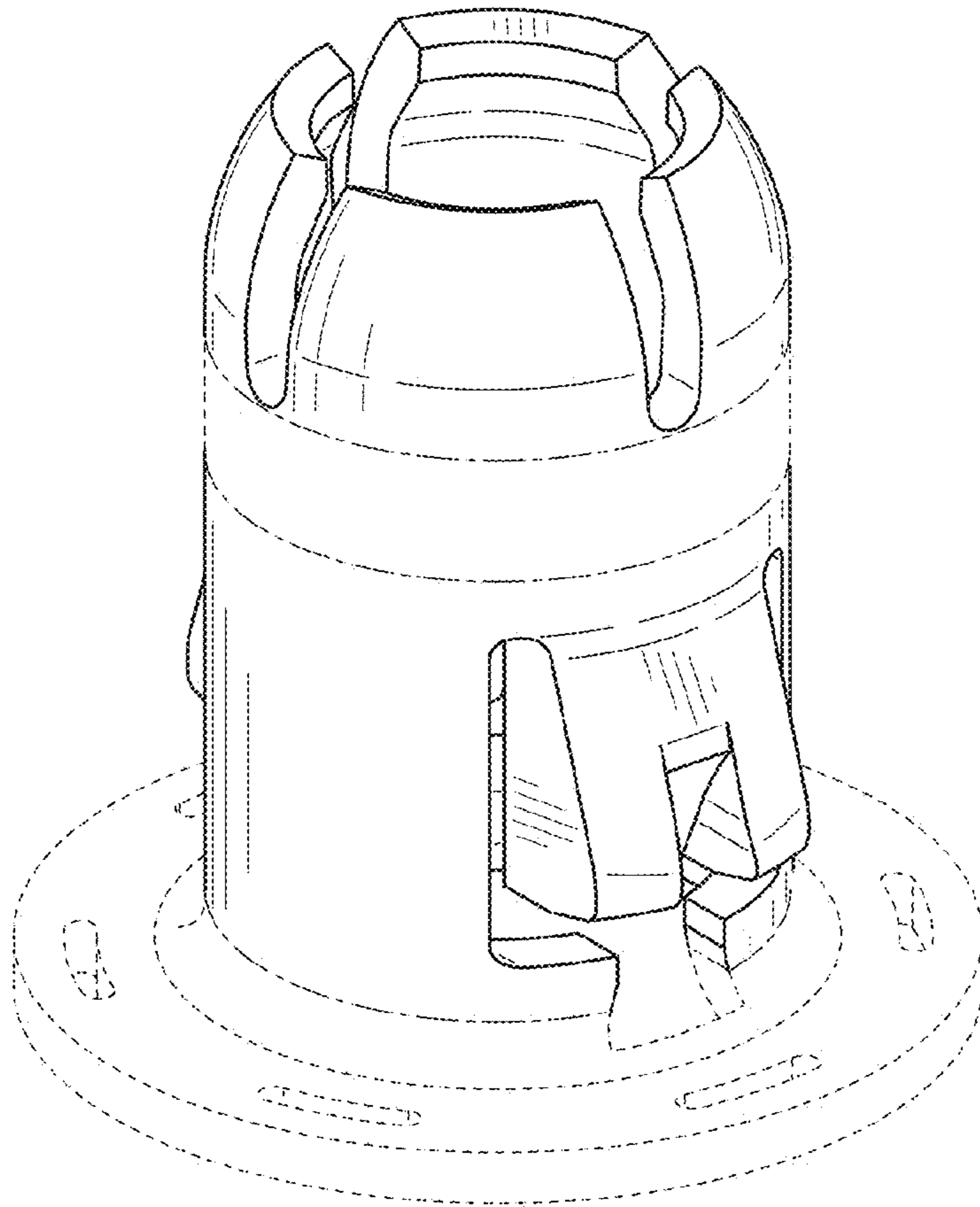


FIG. 1

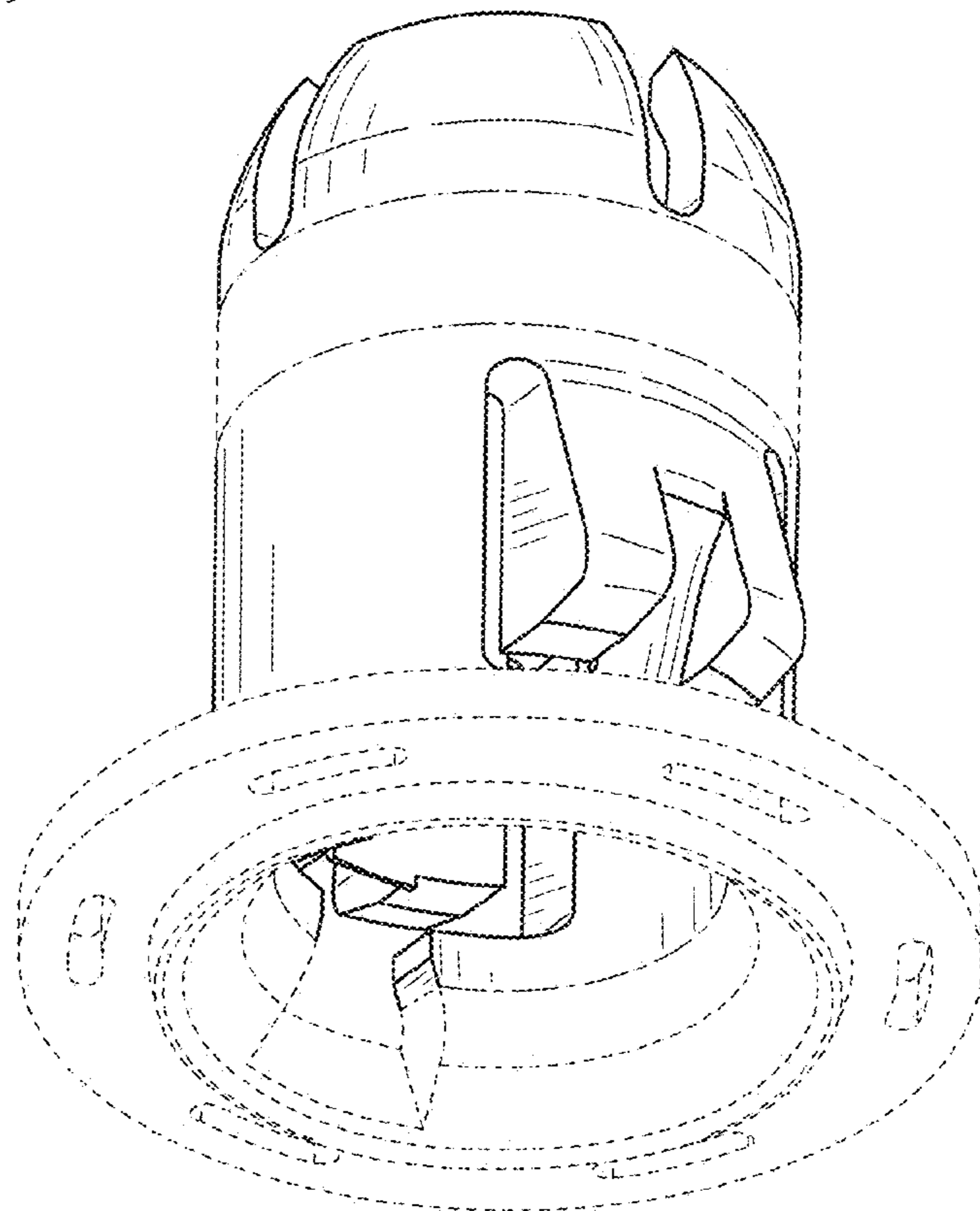


FIG. 2

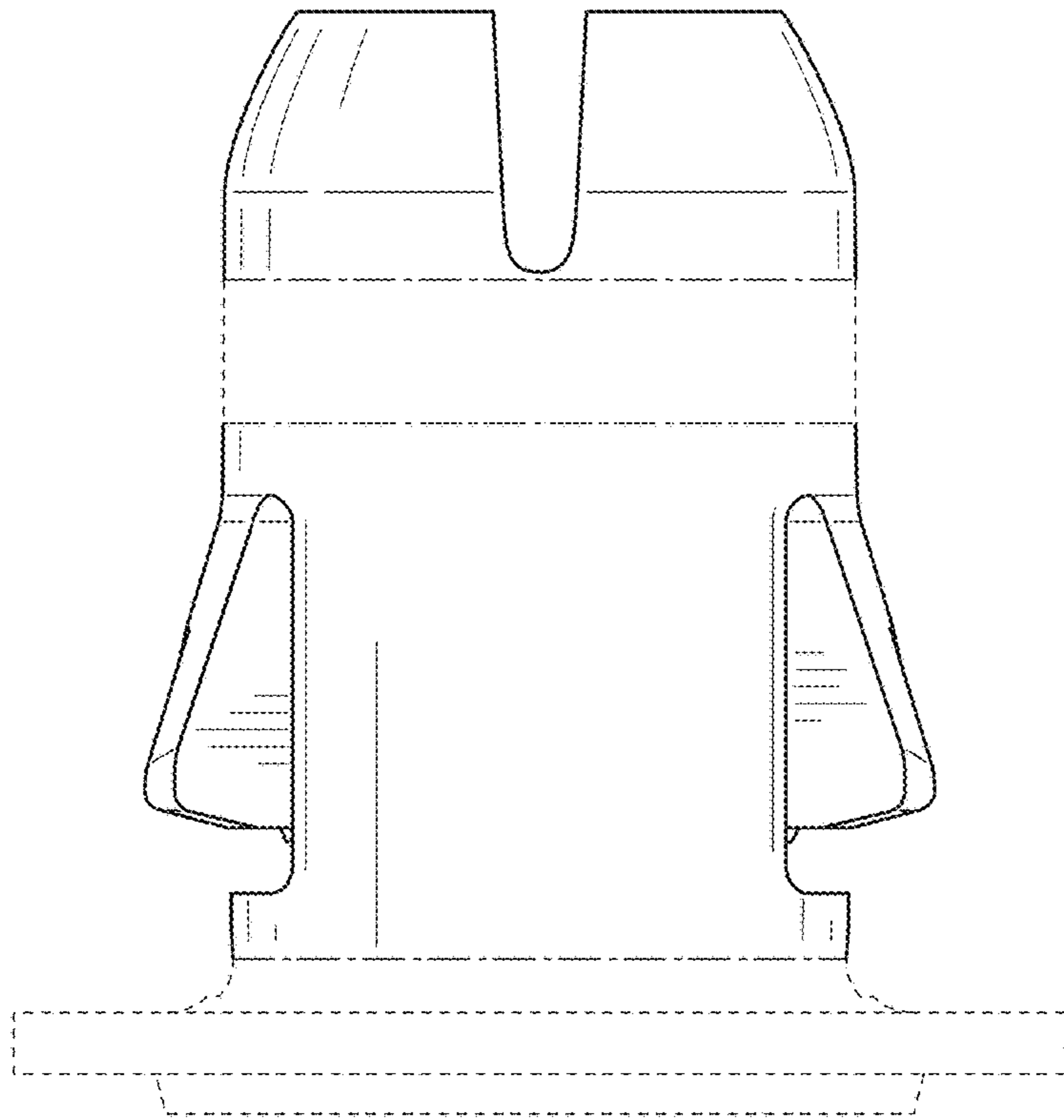


FIG. 3

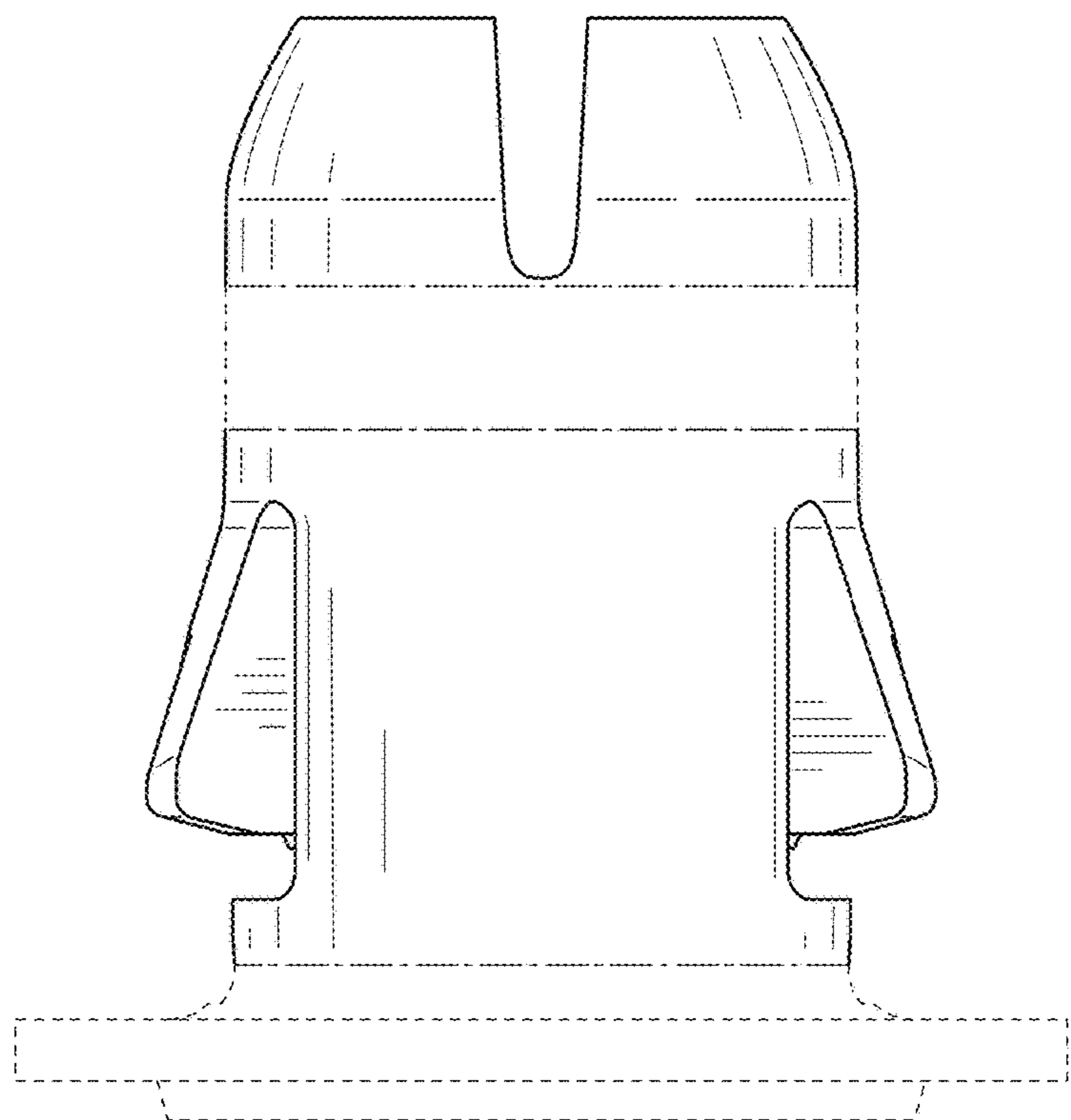


FIG. 4

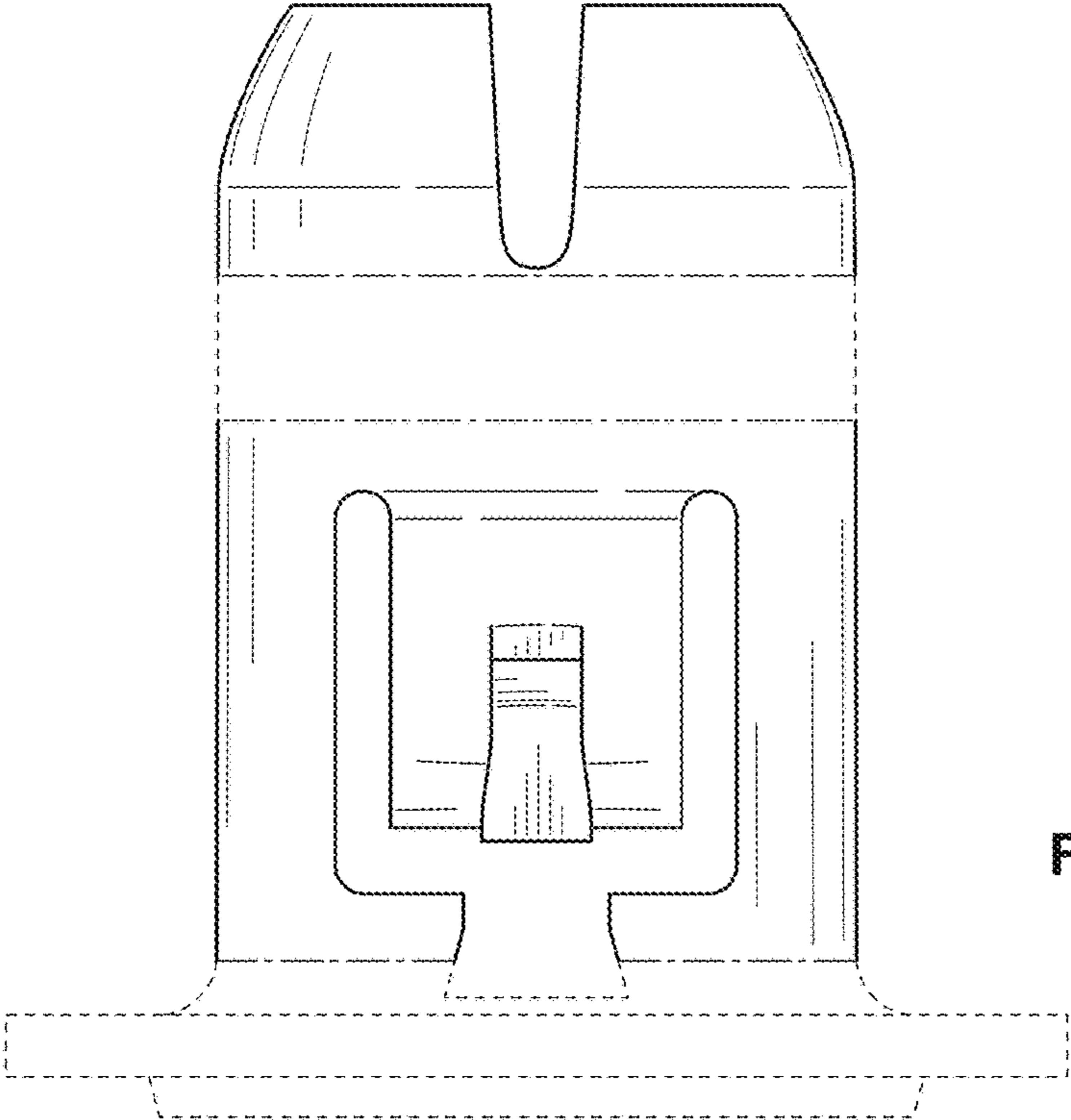


FIG. 5

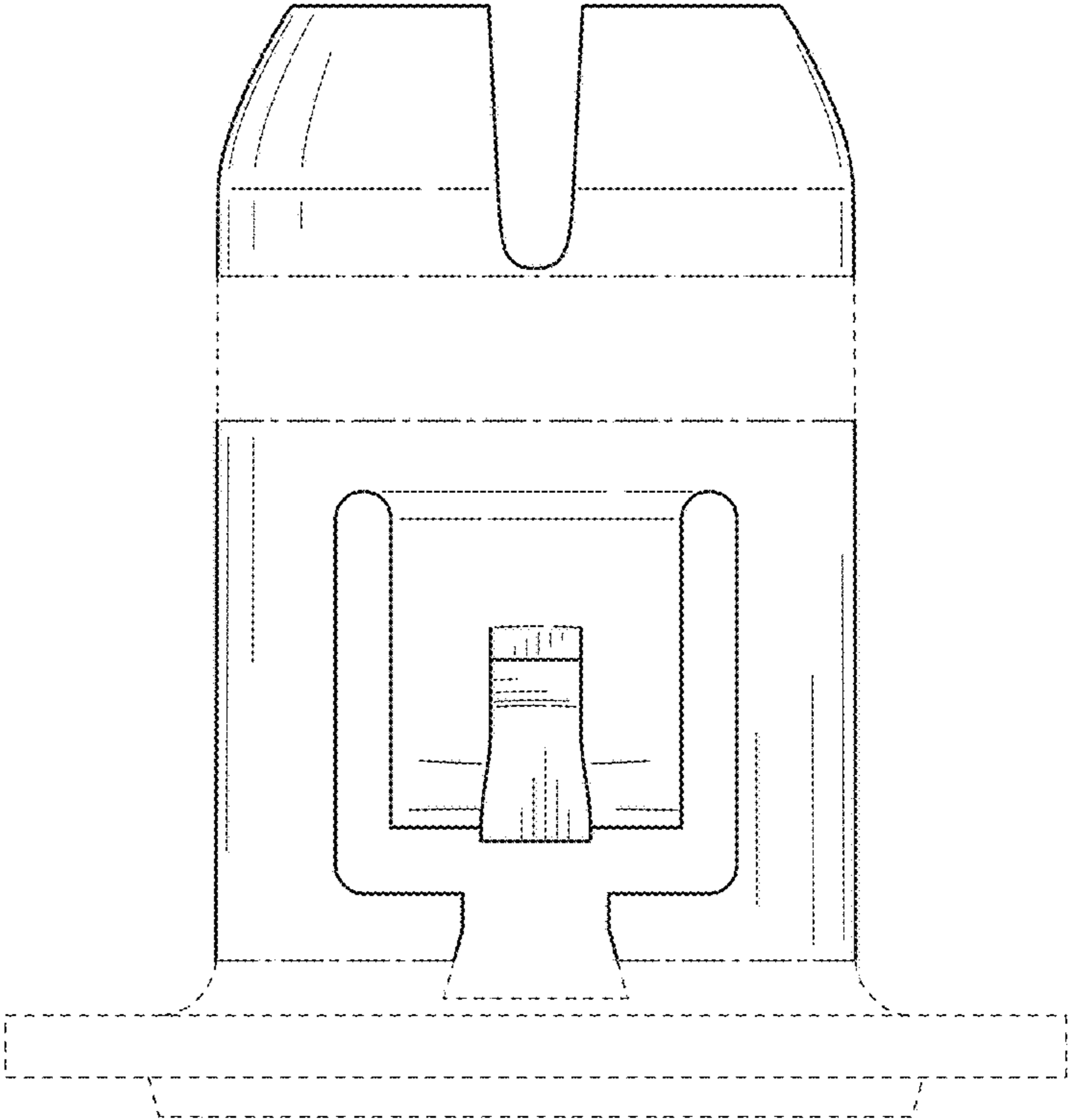


FIG. 6

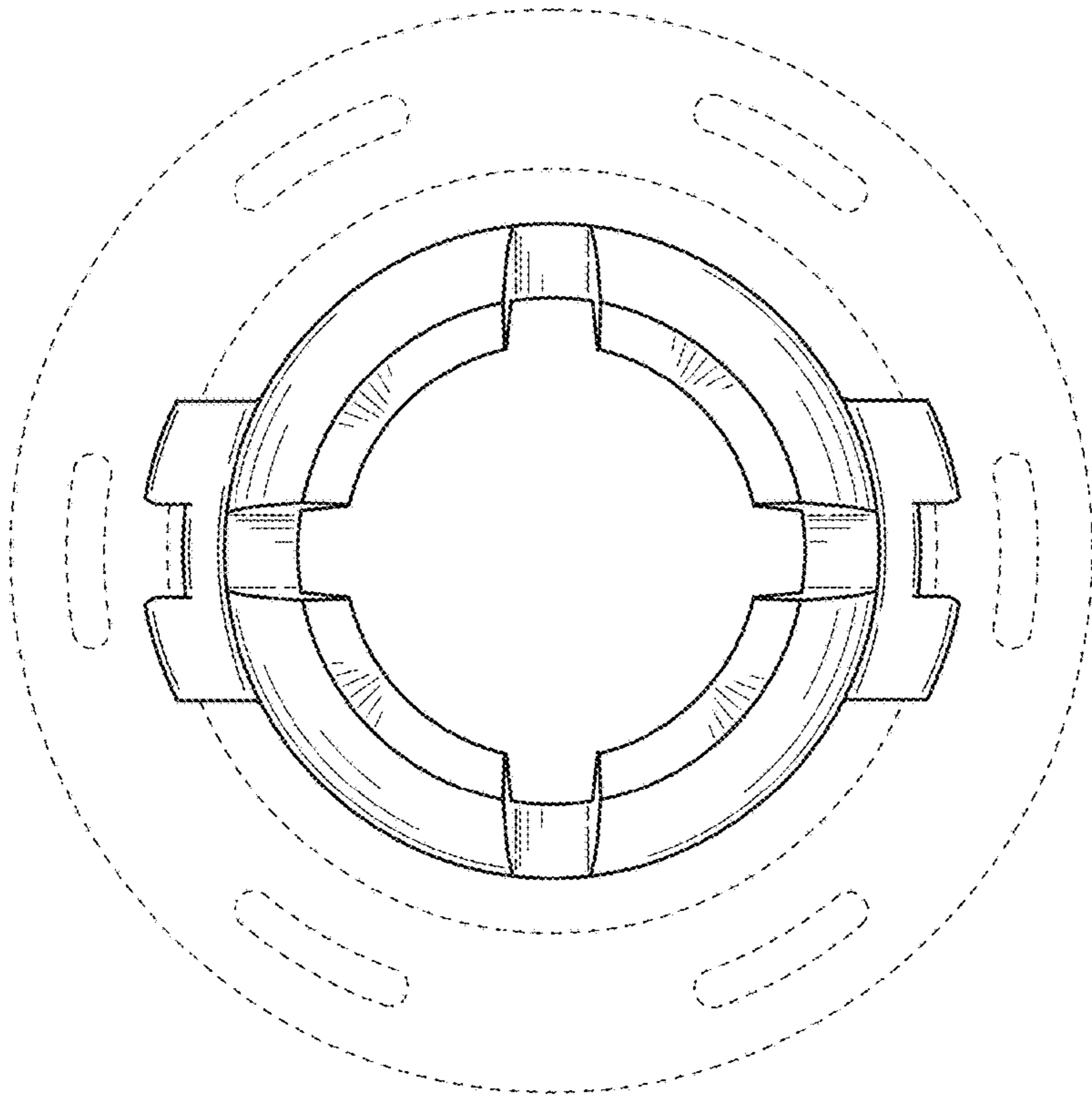


FIG. 7

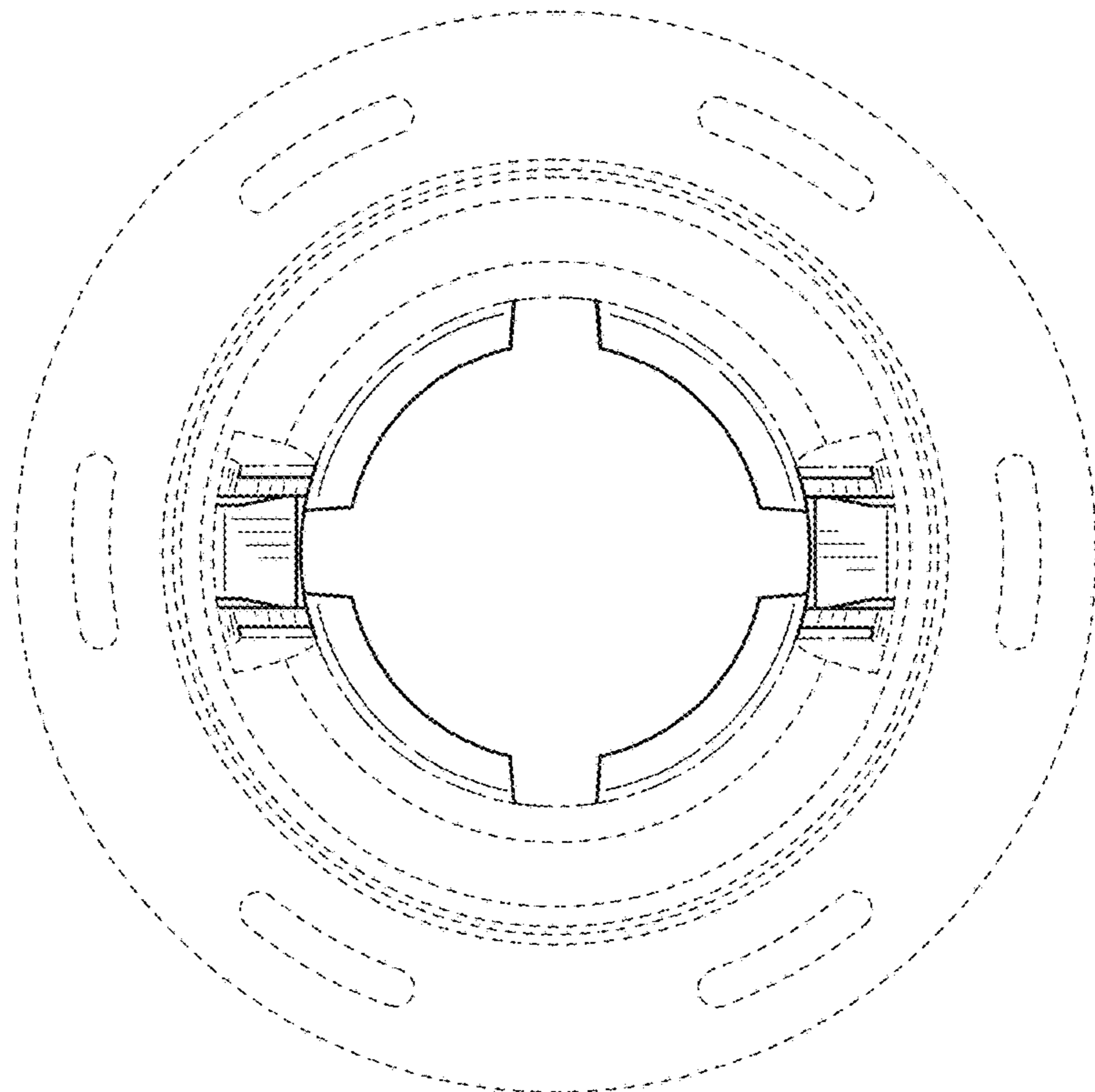


FIG. 8