



US00D905545S

(12) **United States Design Patent** (10) **Patent No.:** **US D905,545 S**
Whitefield et al. (45) **Date of Patent:** **** Dec. 22, 2020**

(54) **NON-METALLIC CLIP CONNECTION DEVICE**

(74) *Attorney, Agent, or Firm* — Park, Vaughan, Fleming & Dowler LLP; Shane Nelson

(71) Applicant: **Whitefield Plastics Corporation**,
Houston, TX (US)

(57) **CLAIM**

(72) Inventors: **William H. Whitefield**, Houston, TX
(US); **Brandon Carringer**, Houston,
TX (US)

The ornamental design for a non-metallic clip connection device, as shown and described.

(73) Assignee: **Whitefield Plastics Corporation**,
Houston, TX (US)

DESCRIPTION

(**) Term: **15 Years**

FIG. 1 is a front elevation view of the non-metallic clip portion of the non-metallic clip connection device wherein the entire non-metallic clip connection device is comprised of a non-metallic connector clip portion and an adjoining receptacle portion having a right side and a left side thereof, the receptacle portion is removed for ease of illustration; FIG. 2 shows a rear elevation view thereof; FIG. 3 shows a left-side elevation view thereof; FIG. 4 shows a right-side elevation view thereof; FIG. 5 shows a top plan view thereof; FIG. 6 shows a bottom plan view thereof; FIG. 7 shows a front facing isometric view thereof; and FIG. 8 shows a rear facing isometric view thereof. FIG. 9 is an exploded isometric view of the receptacle portion of the non-metallic clip connection device, showing the left side of the receptacle portion and the right side of the receptacle portion disjoined and the non-metallic clip portion removed for ease of illustration; FIG. 10 is an isometric view of the receptacle portion of the non-metallic clip connection device, showing the left side of the receptacle portion and the right side of the receptacle portion adjoined and the non-metallic clip portion removed for ease of illustration.

(21) Appl. No.: **29/591,991**

(22) Filed: **Jan. 25, 2017**

(51) **LOC (12) Cl.** **08-08**

(52) **U.S. Cl.**
USPC **D8/382**; D13/151

(58) **Field of Classification Search**
USPC D8/349, 354, 382, 383; D23/249, 262;
D13/133, 149, 151, 154, 155
(Continued)

(56) **References Cited**

U.S. PATENT DOCUMENTS

111,128 A * 1/1871 Linscott F16B 15/00
411/439
497,915 A * 5/1893 Fulghum E06B 3/9845
403/294

(Continued)

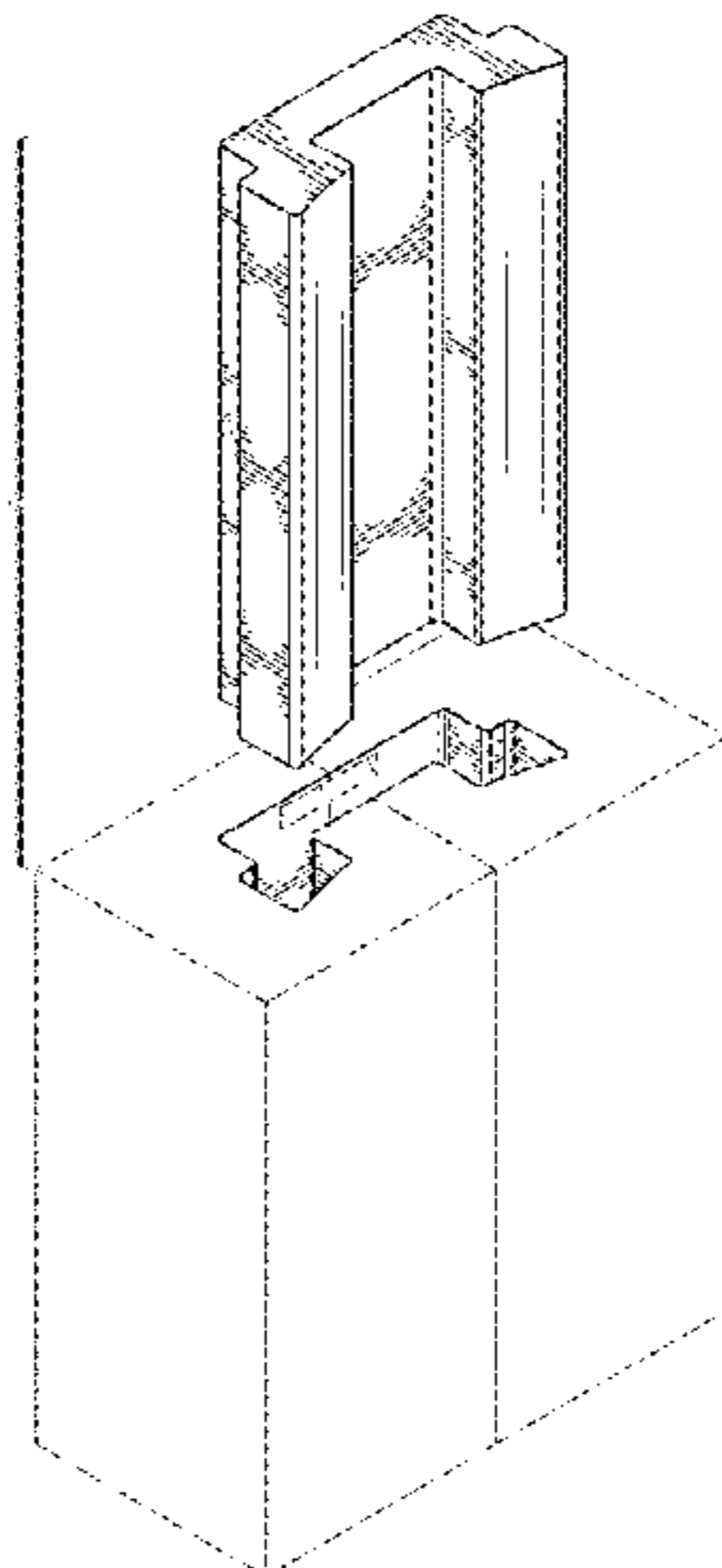
OTHER PUBLICATIONS

International Search Report of the International Searching Authority (USPTO) for international application PCT/US2017/014951 dated Aug. 24, 2017.

(Continued)

Primary Examiner — Sandra Snapp
Assistant Examiner — Ieisha N Price

(Continued)



The broken lines rendered in the drawings illustrates the environment of the claimed design and forms no part thereof. The shading in the figures show contour and not surface ornamentation.

1 Claim, 11 Drawing Sheets

(58) Field of Classification Search

CPC . F16L 57/02; F16L 1/123; F16L 11/18; F16L 57/005; F16L 59/028; F16L 59/027; F16L 59/021; F16L 59/024; F16L 59/022; F16B 2/20; F16B 21/082; H02G 9/12; H02G 3/0475; Y10T 29/49947

See application file for complete search history.

(56) References Cited

U.S. PATENT DOCUMENTS

2,378,562 A * 6/1945 Lahr B21D 28/14
83/690
3,517,702 A * 6/1970 Trimble H02G 3/0481
138/128
3,966,339 A * 6/1976 Nemecek F16B 12/24
403/292
D248,823 S * 8/1978 Eckerline D25/121
4,402,345 A * 9/1983 Twort F16L 59/024
138/149
4,493,583 A * 1/1985 Wallace F16B 5/0052
403/402
4,576,846 A * 3/1986 Noel B29C 65/58
428/36.5
D309,706 S * 8/1990 Propp D8/354
5,090,835 A * 2/1992 Cox A47G 1/10
403/294
5,303,730 A 4/1994 Trueb et al.
5,454,392 A 10/1995 Trueb et al.
D377,601 S * 1/1997 Kozyrski D6/300
D384,271 S * 9/1997 Kozyrski D6/300
D398,835 S * 9/1998 Coll D8/354
5,901,739 A * 5/1999 Helmsderfer F16L 59/168
137/247.49
6,035,997 A 3/2000 Heninger et al.
D427,050 S * 6/2000 Bryan D8/382
6,173,836 B1 1/2001 Cooper
D625,588 S * 10/2010 Norris D8/382
8,147,162 B1 * 4/2012 Burnett F16B 5/0052
312/263
8,607,826 B2 12/2013 Krohn et al.
D758,835 S * 6/2016 Glancy D8/382
9,482,381 B1 * 11/2016 Hjelt B65D 81/38
9,810,253 B2 * 11/2017 Koelling F16B 12/24
D829,179 S * 9/2018 Whitefield D13/151
10,100,965 B2 10/2018 Whitefield et al.
10,197,081 B2 * 2/2019 Koelling F16B 12/125
2002/0108663 A1 8/2002 Lechuga

2005/0067019 A1 * 3/2005 Trueb F16B 21/082
137/375
2006/0213572 A1 * 9/2006 Beaulieu F16L 59/024
138/155
2008/0274656 A1 * 11/2008 Routeau E21B 17/012
441/133
2009/0241460 A1 * 10/2009 Beaulieu E04B 1/6129
52/586.2
2009/0324360 A1 * 12/2009 Schuech F16B 21/082
411/33
2010/0228295 A1 9/2010 Whitefield
2010/0329792 A1 * 12/2010 Persson F16L 1/123
405/168.1
2012/0304447 A1 12/2012 Smith et al.
2014/0377010 A1 12/2014 Belkom
2015/0079312 A1 * 3/2015 Benitsch F27D 1/04
428/33
2015/0079316 A1 3/2015 Pemell et al.
2015/0376903 A1 * 12/2015 Glancy E04F 13/0805
52/489.1
2016/0161043 A1 * 6/2016 Bhatta F16L 59/168
137/375
2017/0328509 A1 * 11/2017 Meijer F16L 57/02
2018/0209575 A1 * 7/2018 Whitefield F16L 57/02
2019/0186208 A1 * 6/2019 Noble H02G 1/10

OTHER PUBLICATIONS

Written Opinion of the International Searching Authority (USPTO) for international application PCT/US2017/014951 dated Aug. 24, 2017.
International search report of international search authority (USPTO) for PCT/US2018/053288 dated Nov. 30, 2018.
Written opinion of international search authority (USPTO) for PCT/US2018/053288 dated Nov. 30, 2018.
Notice of allowance issued in U.S. Appl. No. 15/718,147 dated Jul. 12, 2019.
Notice of allowance issued in U.S. Appl. No. 15/718,195 dated Jun. 24, 2018.
Notice of allowance issued in U.S. Appl. No. 29/591,990 dated Aug. 14, 2018.
Office action issued in U.S. Appl. No. 15/718,147 dated Jun. 29, 2018.
Office action issued in U.S. Appl. No. 15/718,147 dated Mar. 21, 2019.
Office action issued in U.S. Appl. No. 15/718,147 dated Nov. 29, 2018.
Office action issued in U.S. Appl. No. 15/718,195 dated Feb. 8, 2018.
Reply to office action in U.S. Appl. No. 15/718,147 dated Aug. 9, 2018.
Reply to office action in U.S. Appl. No. 15/718,147 dated Feb. 27, 2019.
Reply to office action in U.S. Appl. No. 15/718,147 dated Jun. 18, 2019.
Reply to office action in U.S. Appl. No. 15/718,195 dated May 24, 2018.

* cited by examiner

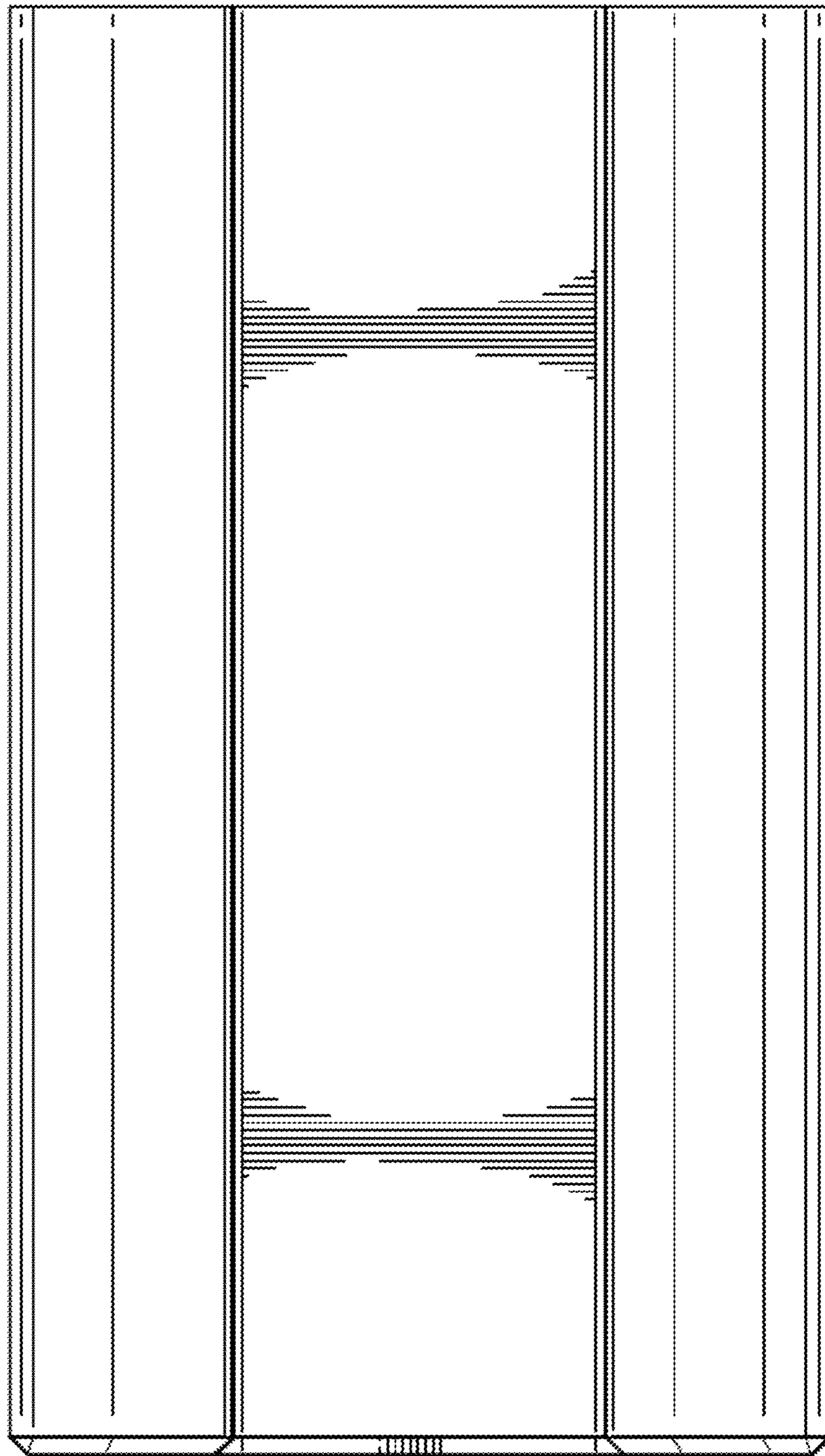


FIG. 1

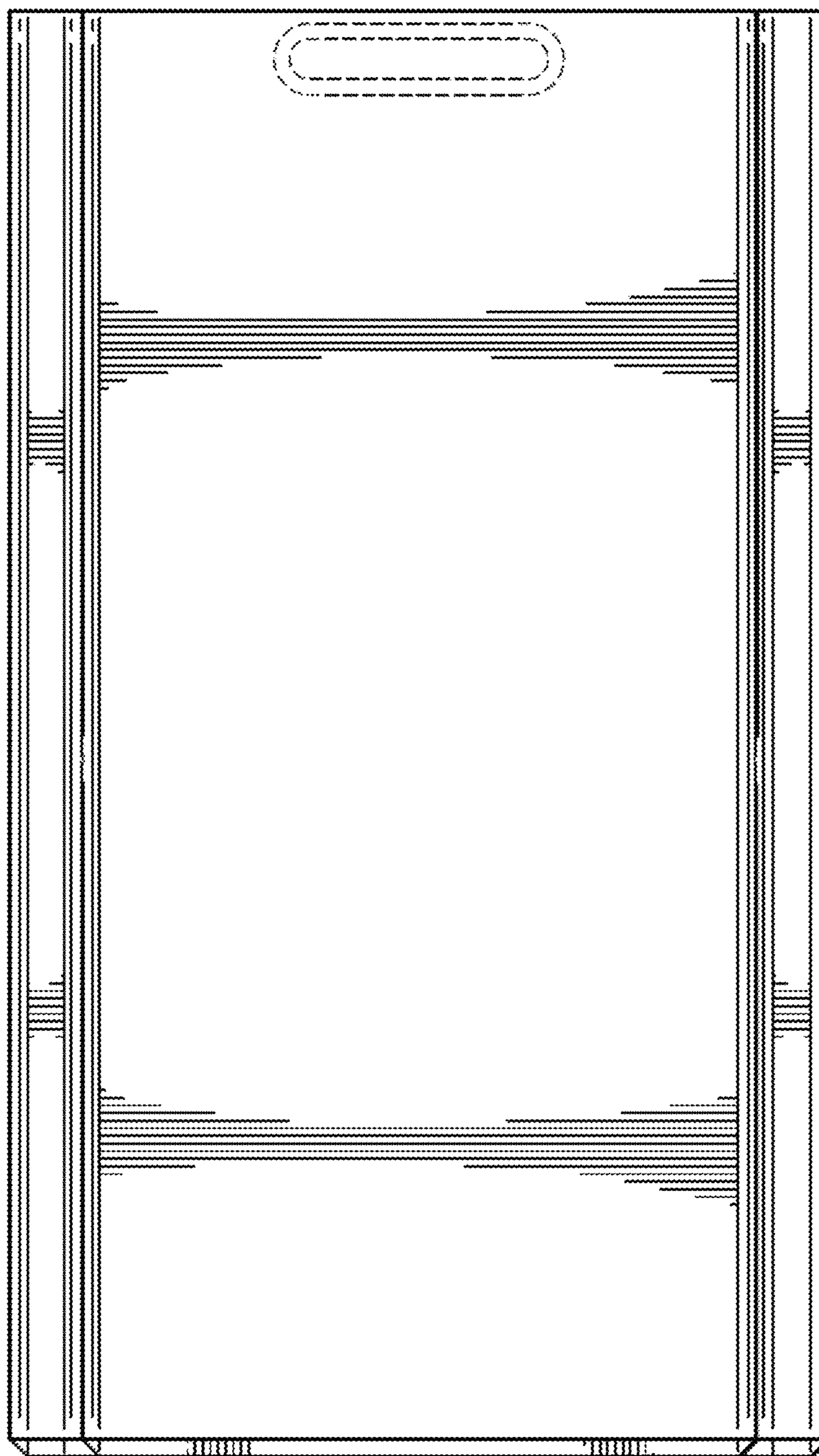


FIG. 2

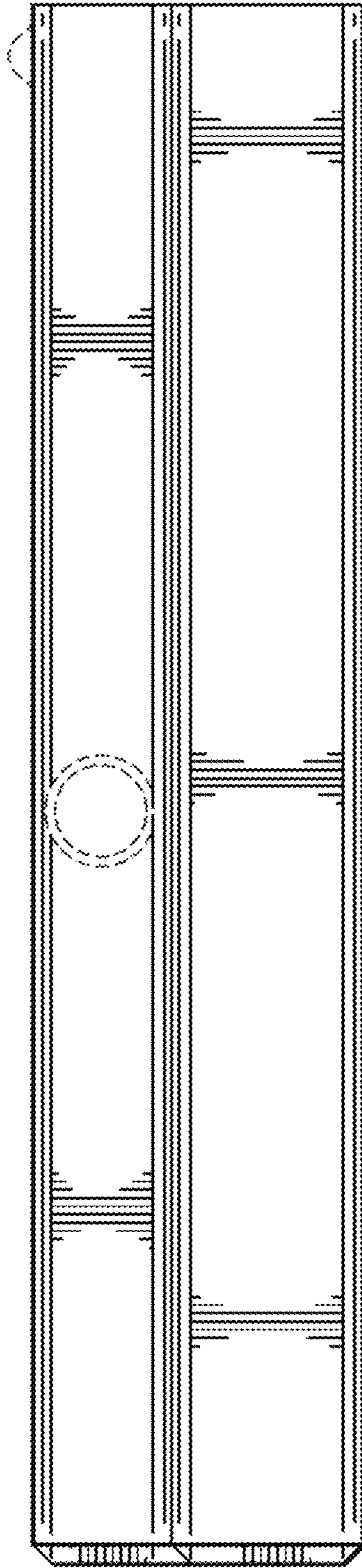


FIG. 3

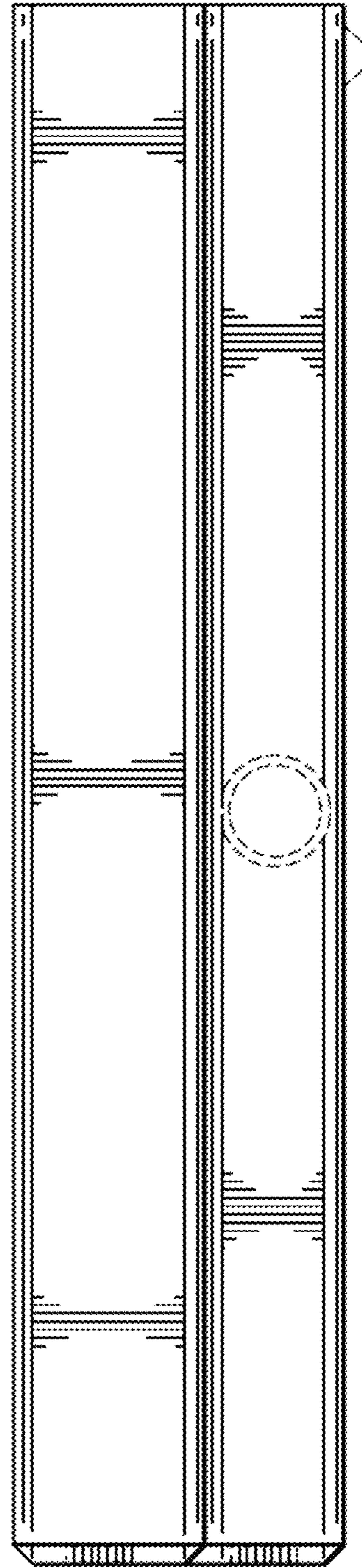


FIG. 4

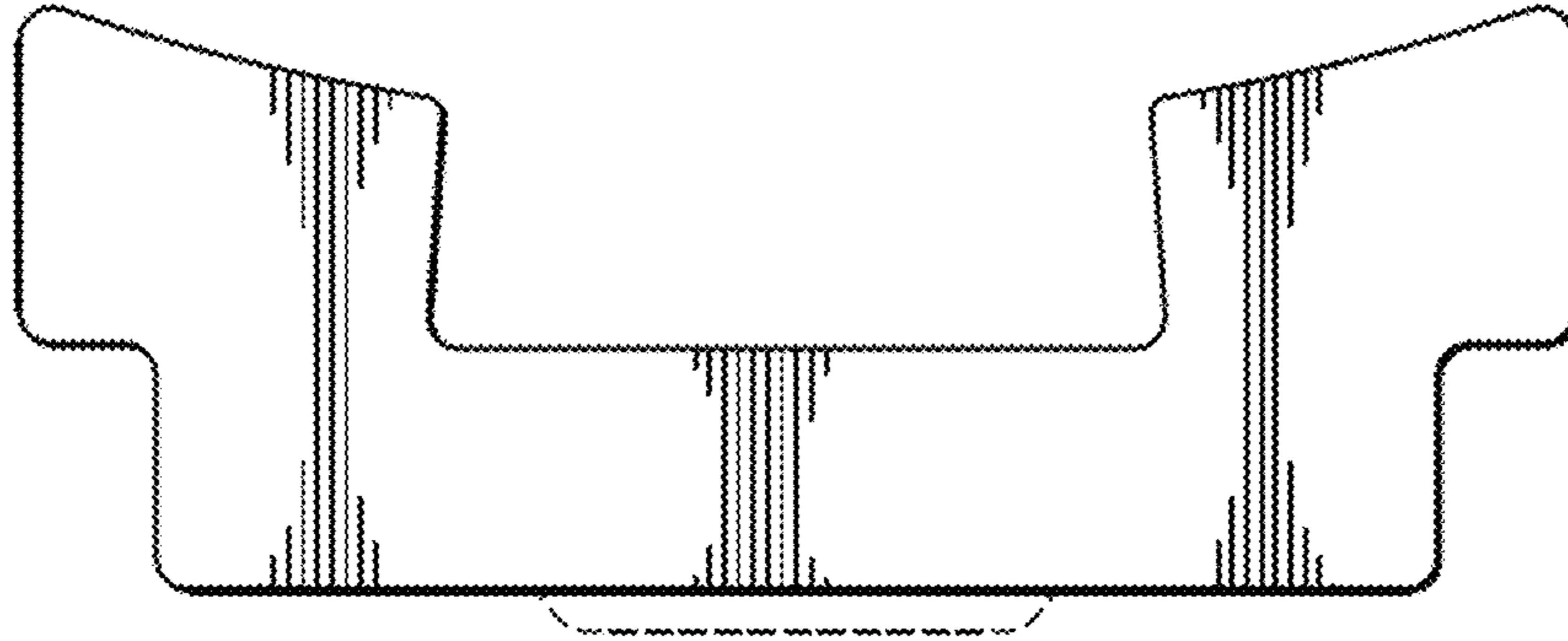


FIG. 5

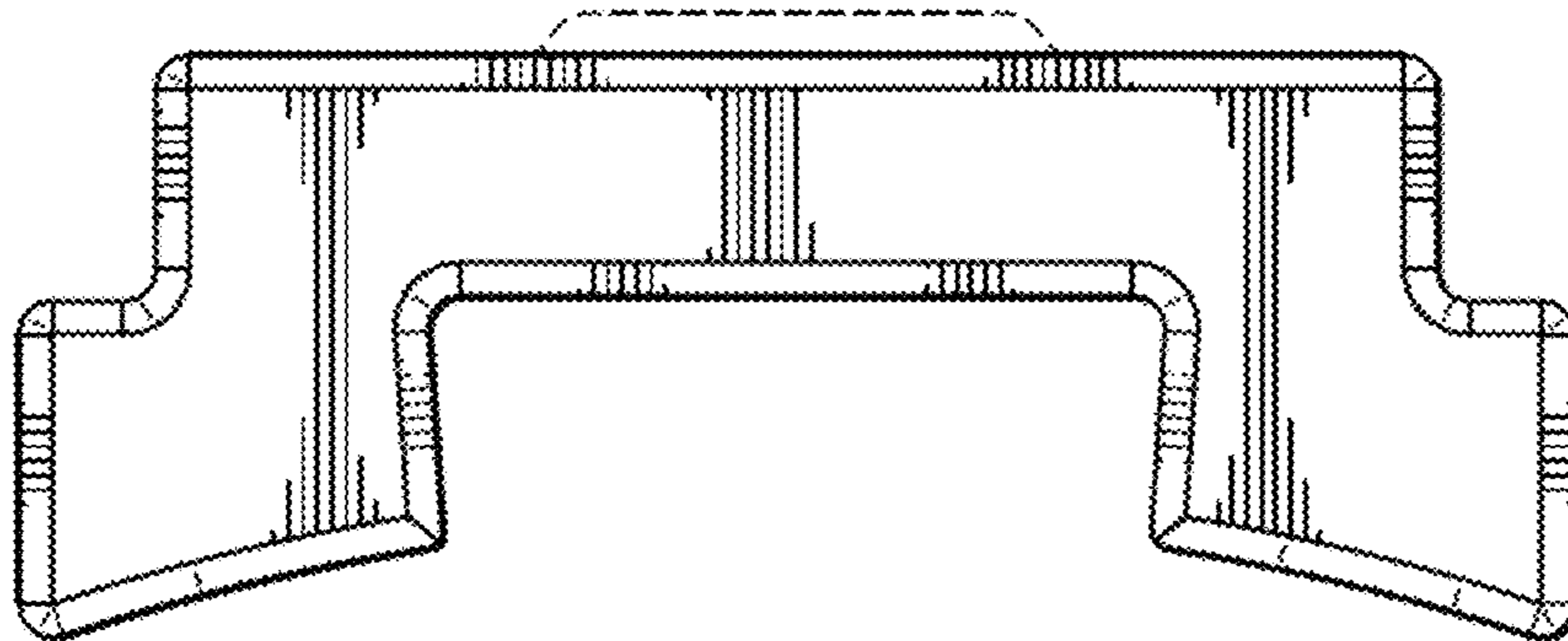


FIG. 6

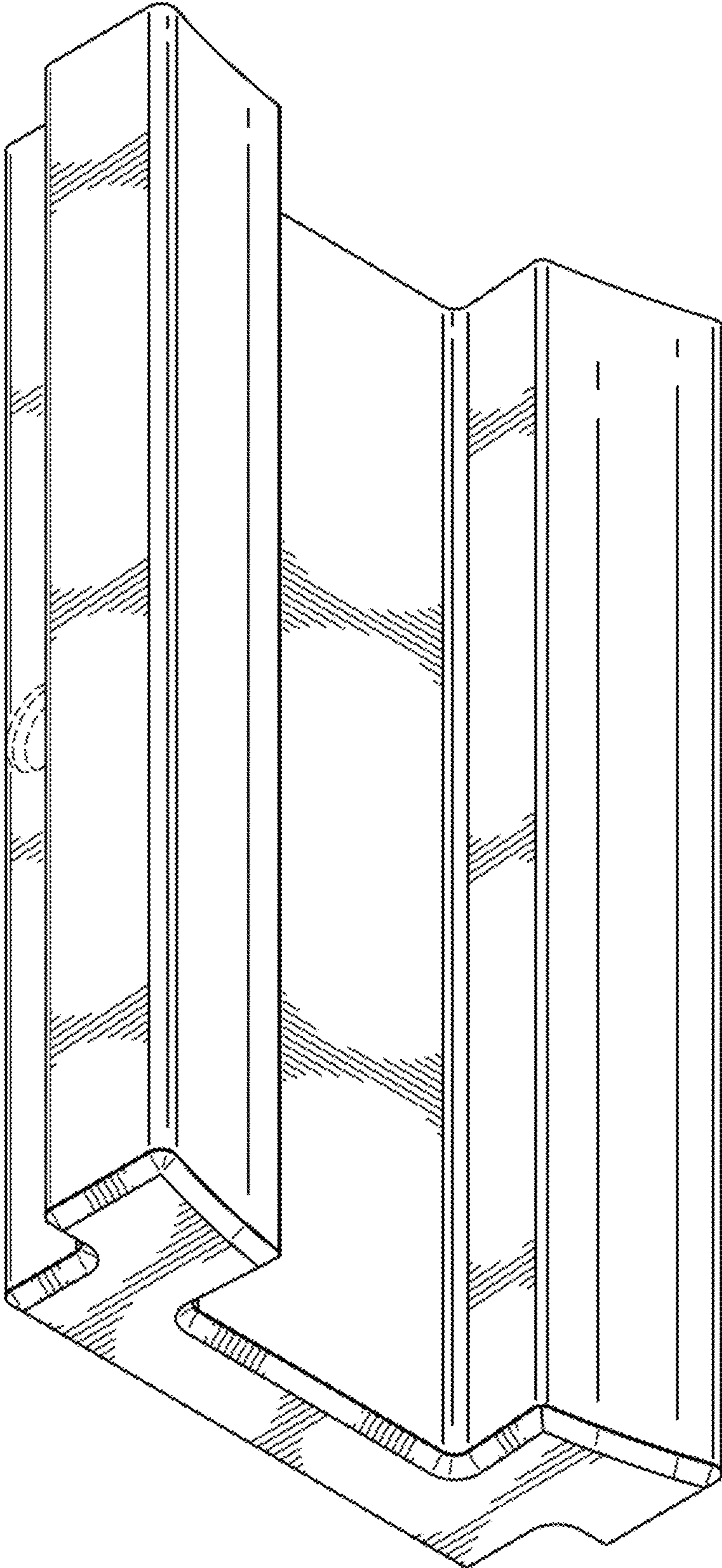


FIG. 7

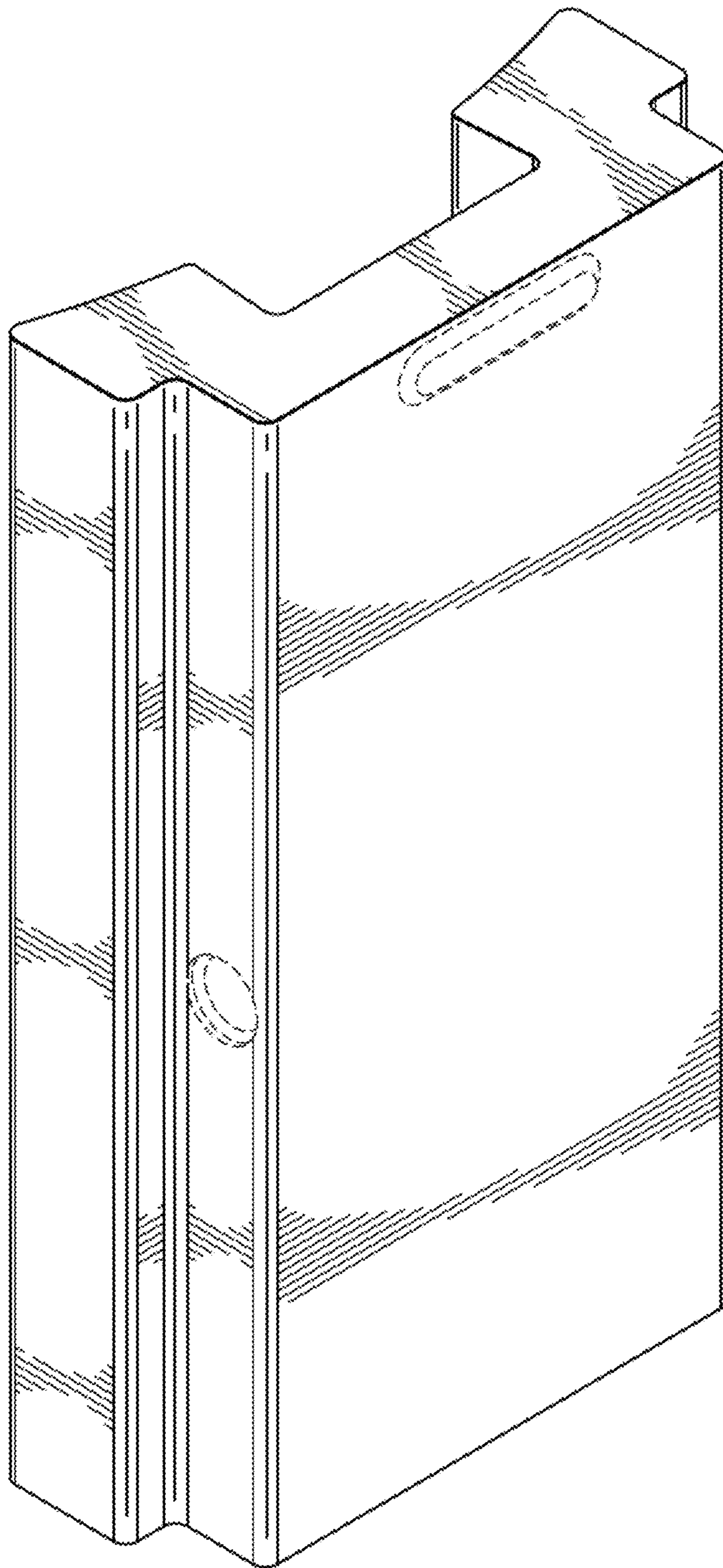


FIG. 8

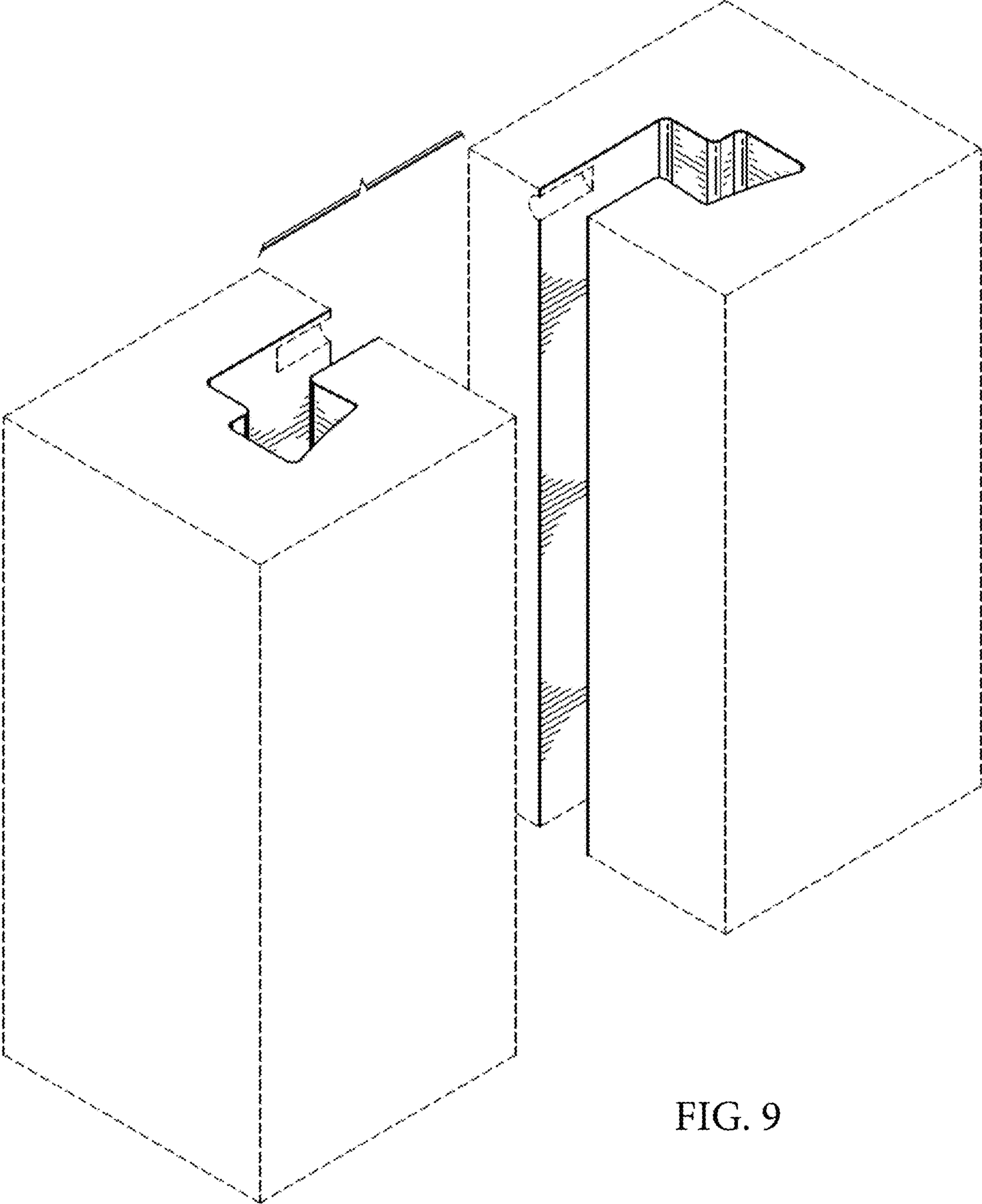


FIG. 9

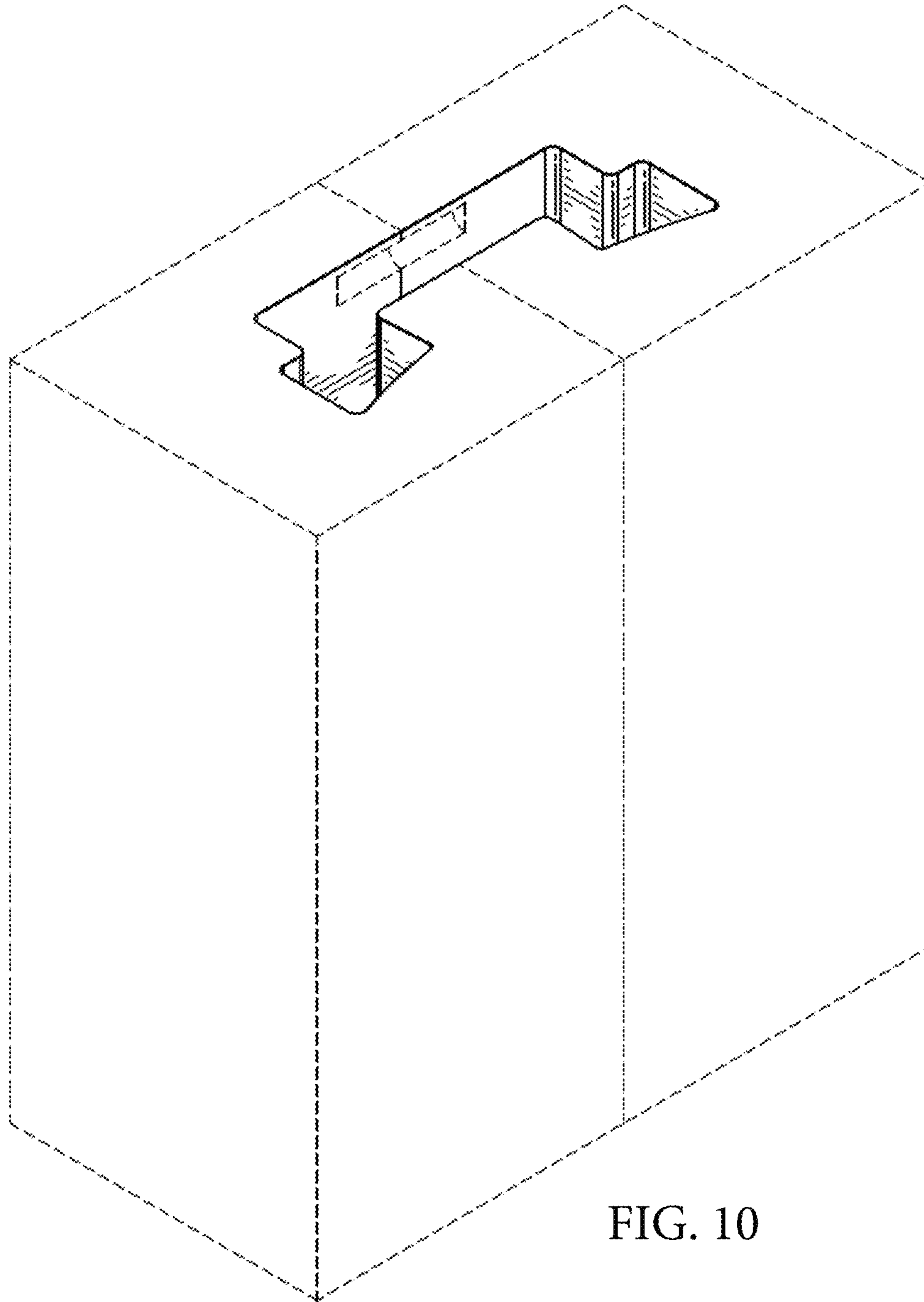


FIG. 10

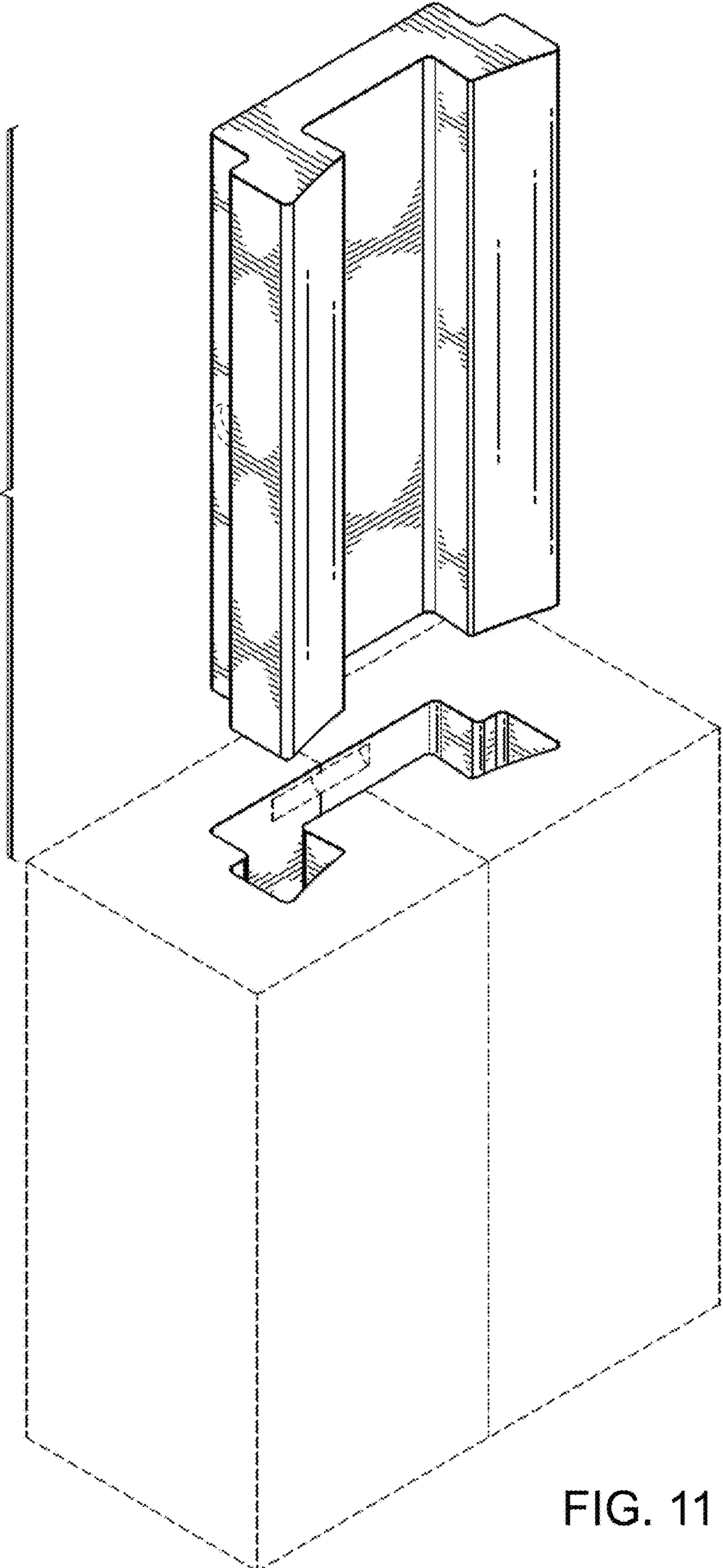


FIG. 11

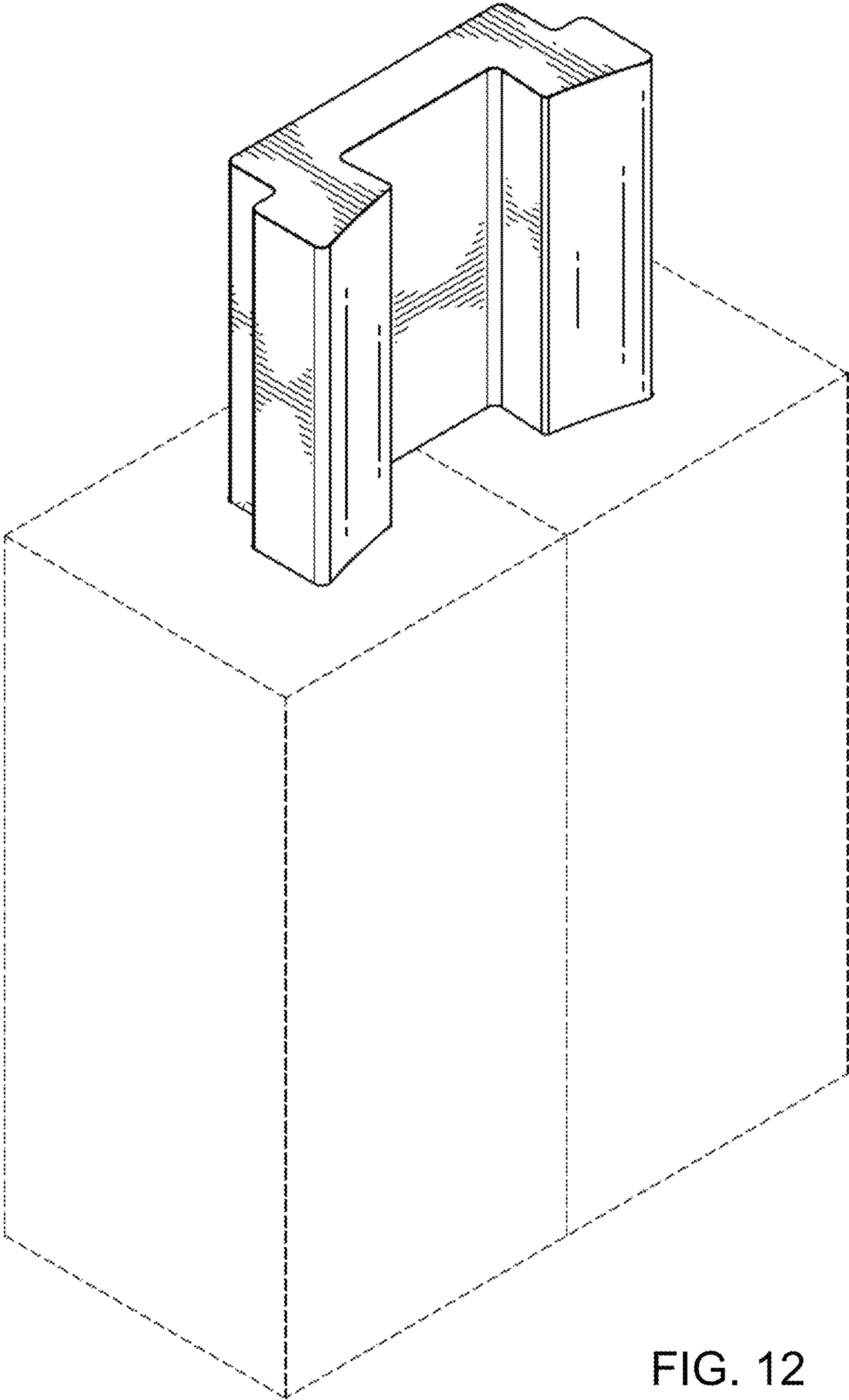


FIG. 12

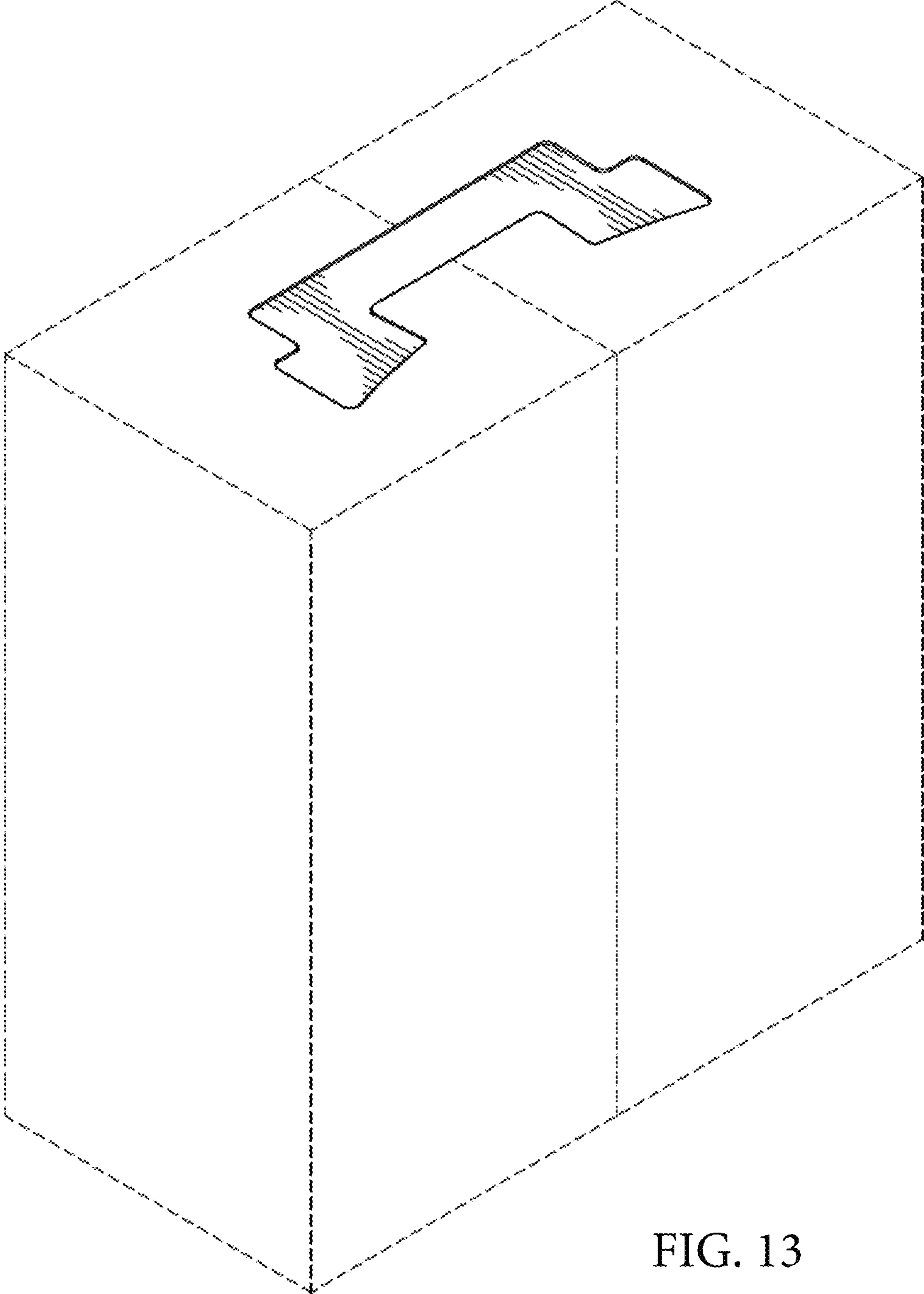


FIG. 13