



US00D905543S

(12) **United States Design Patent**
Jackson et al.

(10) **Patent No.:** **US D905,543 S**

(45) **Date of Patent:** **** Dec. 22, 2020**

- (54) **BEAM SUPPORT ADAPTER**
- (71) Applicants: **David George Jackson**, Mississauga (CA); **Barry Walter Jackson**, Mississauga (CA)
- (72) Inventors: **David George Jackson**, Mississauga (CA); **Barry Walter Jackson**, Mississauga (CA)

5,603,187 A * 2/1997 Merrin E04D 13/12
52/58

5,813,185 A 9/1998 Jackson
D421,708 S * 3/2000 Kuhnke D8/349

6,059,258 A 5/2000 Jackson
6,076,778 A * 6/2000 Brown F16L 3/227
248/49

D452,424 S * 12/2001 Simpson, Sr. D8/107
6,536,717 B2 * 3/2003 Parker F16L 3/1016
248/346.01

(Continued)

(**) Term: **15 Years**

(21) Appl. No.: **29/664,686**

(22) Filed: **Sep. 27, 2018**

(51) **LOC (12) Cl.** **08-05**

(52) **U.S. Cl.**
USPC **D8/380**

(58) **Field of Classification Search**
USPC D8/380, 354, 353, 349, 373; D25/68
CPC F16L 3/12; F16L 3/10; F16L 3/133
See application file for complete search history.

(56) **References Cited**

U.S. PATENT DOCUMENTS

- 1,018,340 A * 2/1912 Prescott A47F 1/126
211/59.3
- 2,414,538 A 1/1947 Lamb
- 3,167,291 A * 1/1965 Maguire A47F 5/04
248/188.1
- D227,218 S * 6/1973 Meyer D8/380
- 4,285,486 A * 8/1981 Von Osten A47G 29/08
24/518
- D261,581 S * 11/1981 Buchanan D22/147
- 4,470,574 A 11/1984 Jackson
- 5,112,155 A 5/1992 Jackson
- D342,155 S * 12/1993 Borawski D3/260
- 5,273,415 A 12/1993 Jackson
- 5,310,153 A 5/1994 Jackson
- 5,326,065 A 7/1994 Jackson
- 5,524,854 A 6/1996 McSwain et al.

FOREIGN PATENT DOCUMENTS

CA 2122736 A1 5/1993
CA 2130119 C 8/1993

(Continued)

Primary Examiner — Keli L Hill
Assistant Examiner — Harold E Blackwell, II
(74) *Attorney, Agent, or Firm* — Bereskin & Parr
LLP/S.E.N.C.R.L., s.r.l.

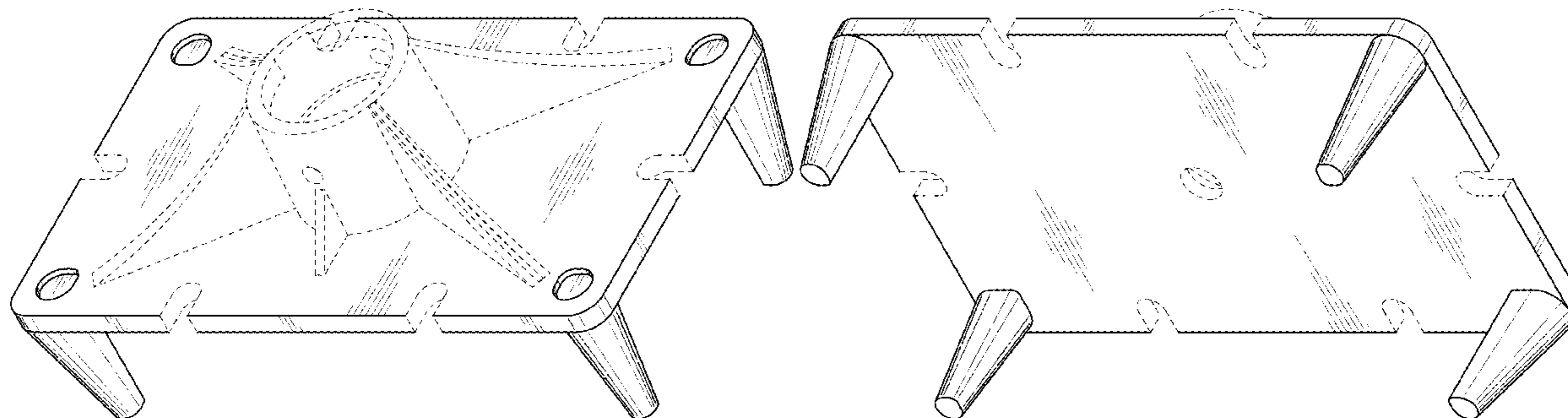
(57) **CLAIM**

The ornamental design for beam support adapter, as shown and described.

DESCRIPTION

FIG. 1 is a first perspective view of a beam support adapter; FIG. 2 is a second perspective view thereof; FIG. 3 is a top view thereof; FIG. 4 is a bottom view thereof; FIG. 5 is a first side view thereof; FIG. 6 is a second side view thereof; FIG. 7 is a first end view thereof; FIG. 8 is a second end view thereof; and, FIG. 9 is a perspective view of two of the beam support adapters shown in a stacked configuration. The broken lines illustrate portions of the beam support adapter that form no part of the claimed design.

1 Claim, 7 Drawing Sheets



(56)

References Cited

U.S. PATENT DOCUMENTS

7,032,268 B2 4/2006 Jackson
7,159,262 B2 1/2007 Jackson
7,360,341 B2 4/2008 Jackson et al.
D628,047 S * 11/2010 Craig D8/354
D629,533 S * 12/2010 Ward D25/199
9,188,273 B2 * 11/2015 Merhar F16M 11/00
9,523,380 B2 * 12/2016 Brown E04D 13/00
2008/0111040 A1 5/2008 Jackson et al.

FOREIGN PATENT DOCUMENTS

CA 2138795 A1 4/1994
CA 2130451 C 7/1994
CA 2118170 A1 4/1996
CA 2203978 C 10/1997
CA 2249921 C 4/1999
CA 2440612 A1 3/2004
CA 2444449 C 4/2005
CA 2496089 A1 8/2006
CA 2534944 C 8/2006
GB 2146687 A 4/1985
GB 2146728 A 4/1985
WO 9309311 A1 5/1993
WO 9316253 A1 8/1993
WO 9415045 A1 7/1994
WO 9425705 A2 11/1994

* cited by examiner

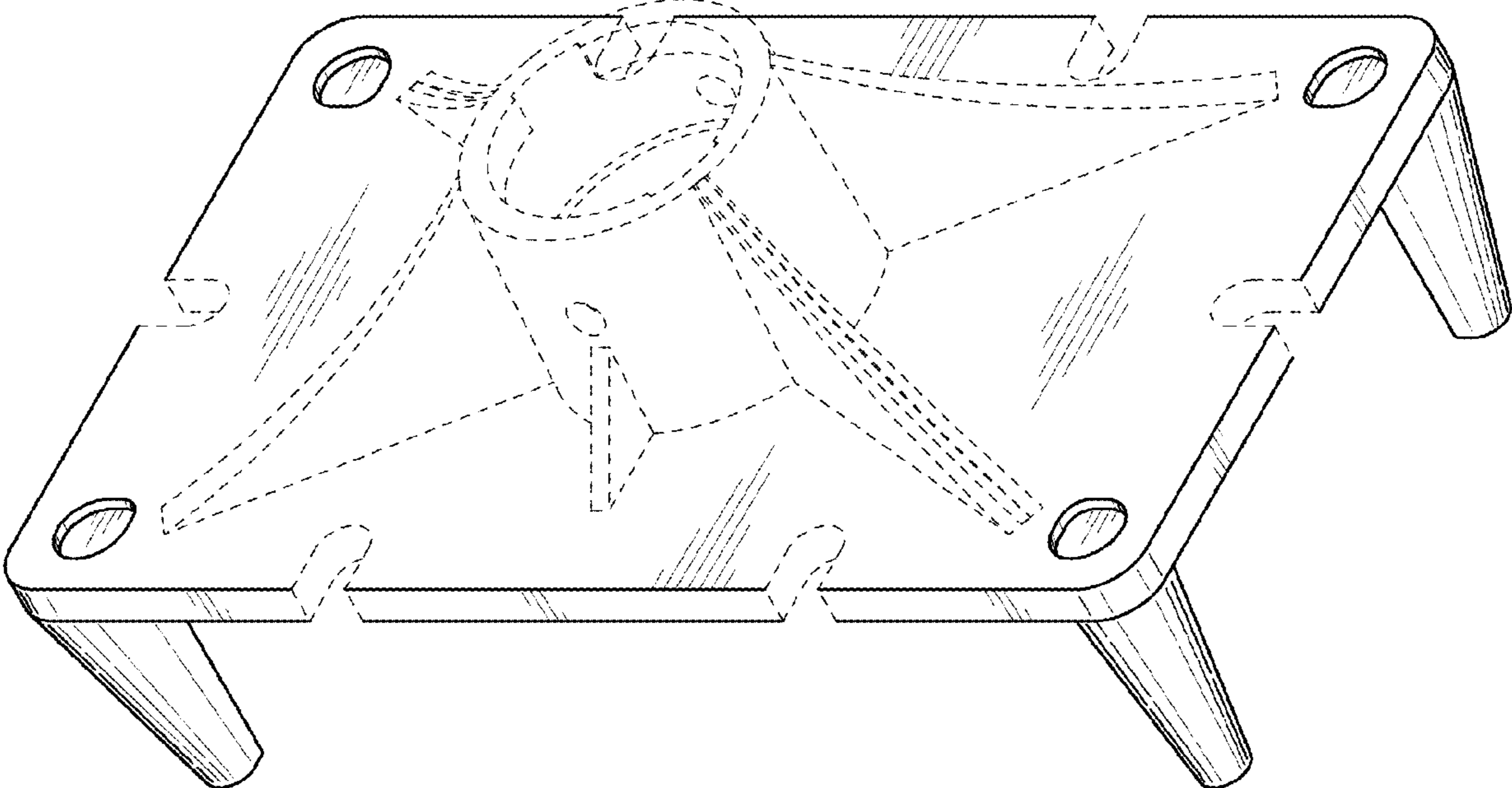


FIG. 1

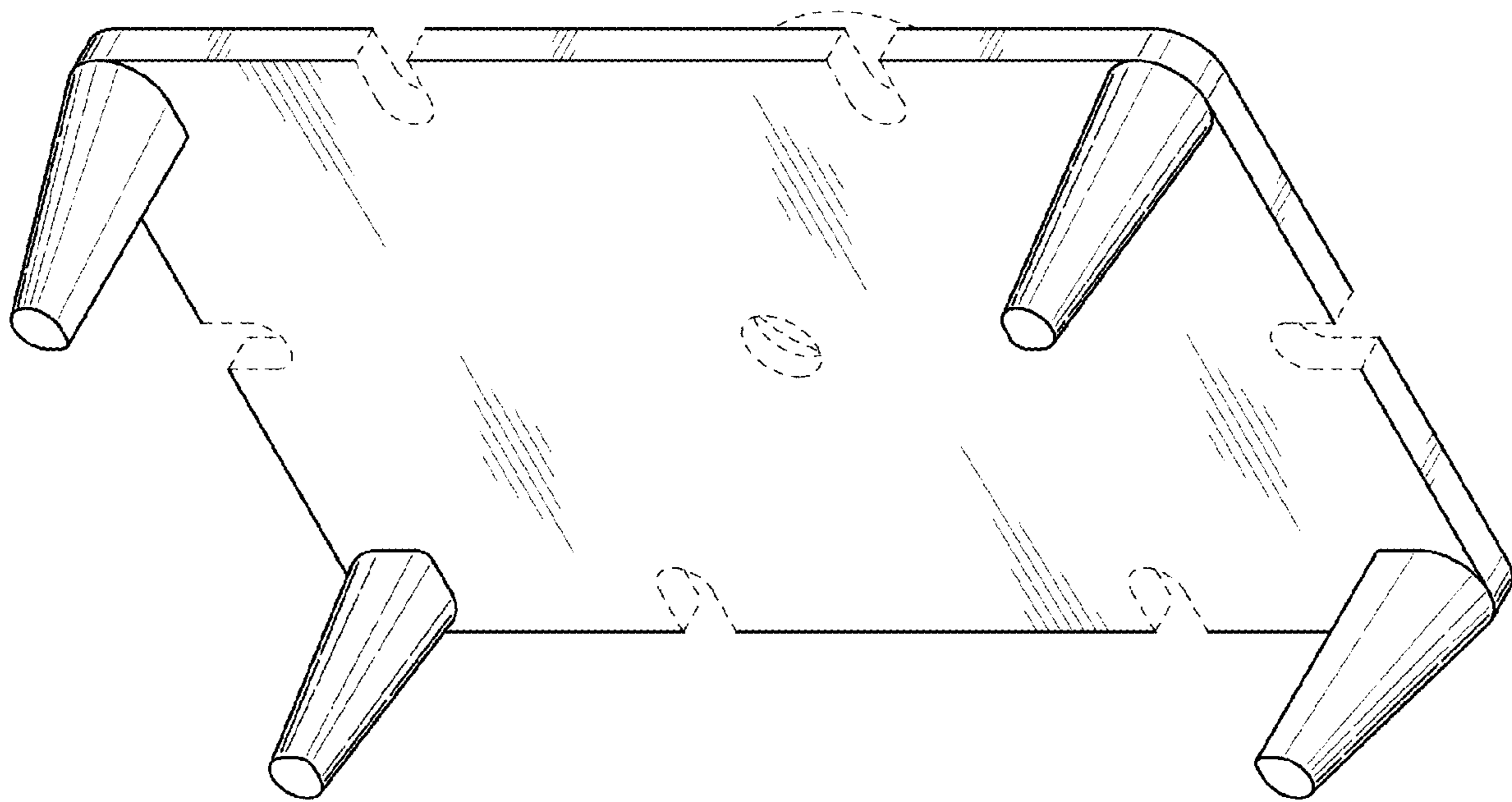


FIG. 2

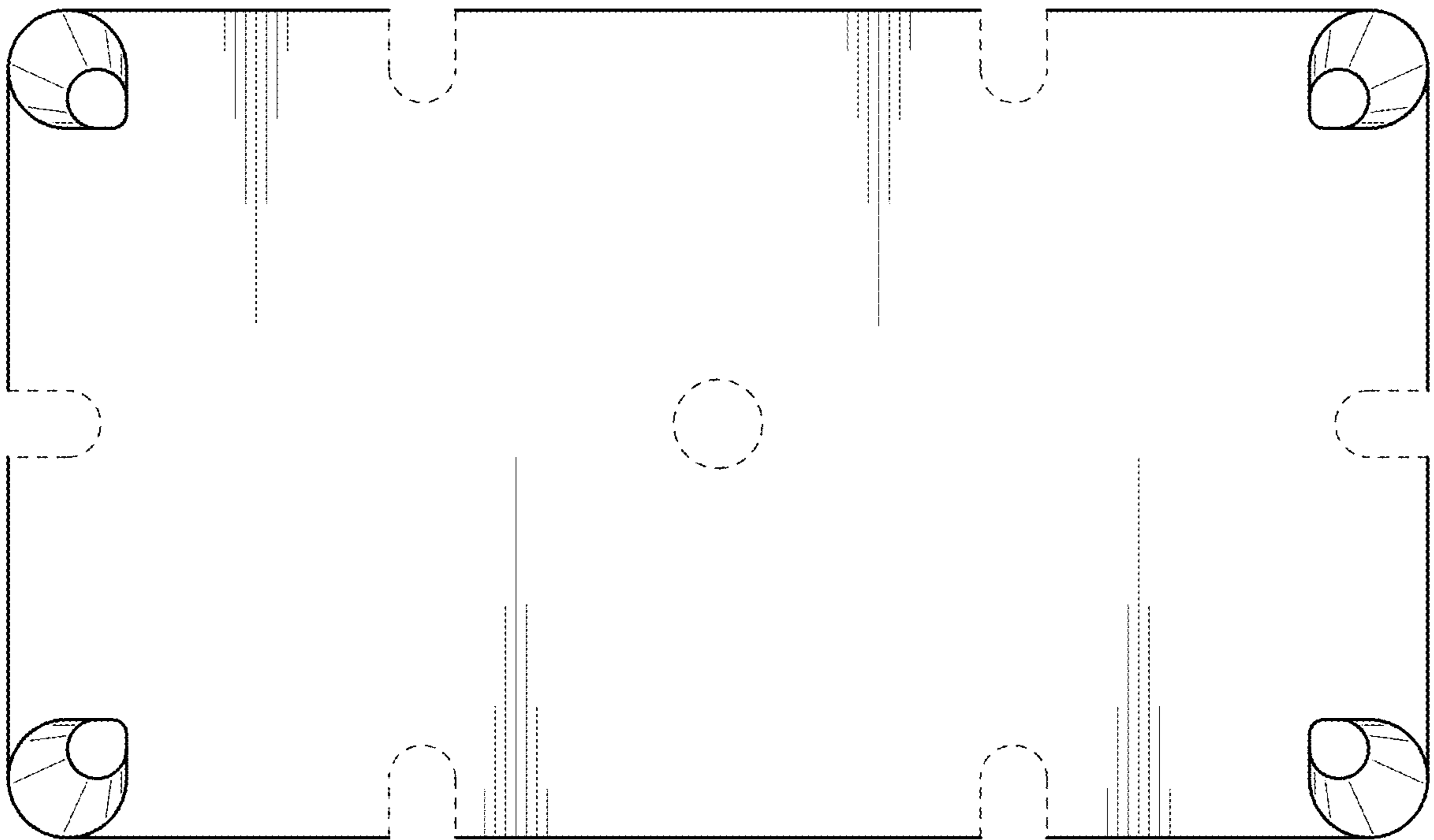


FIG. 3

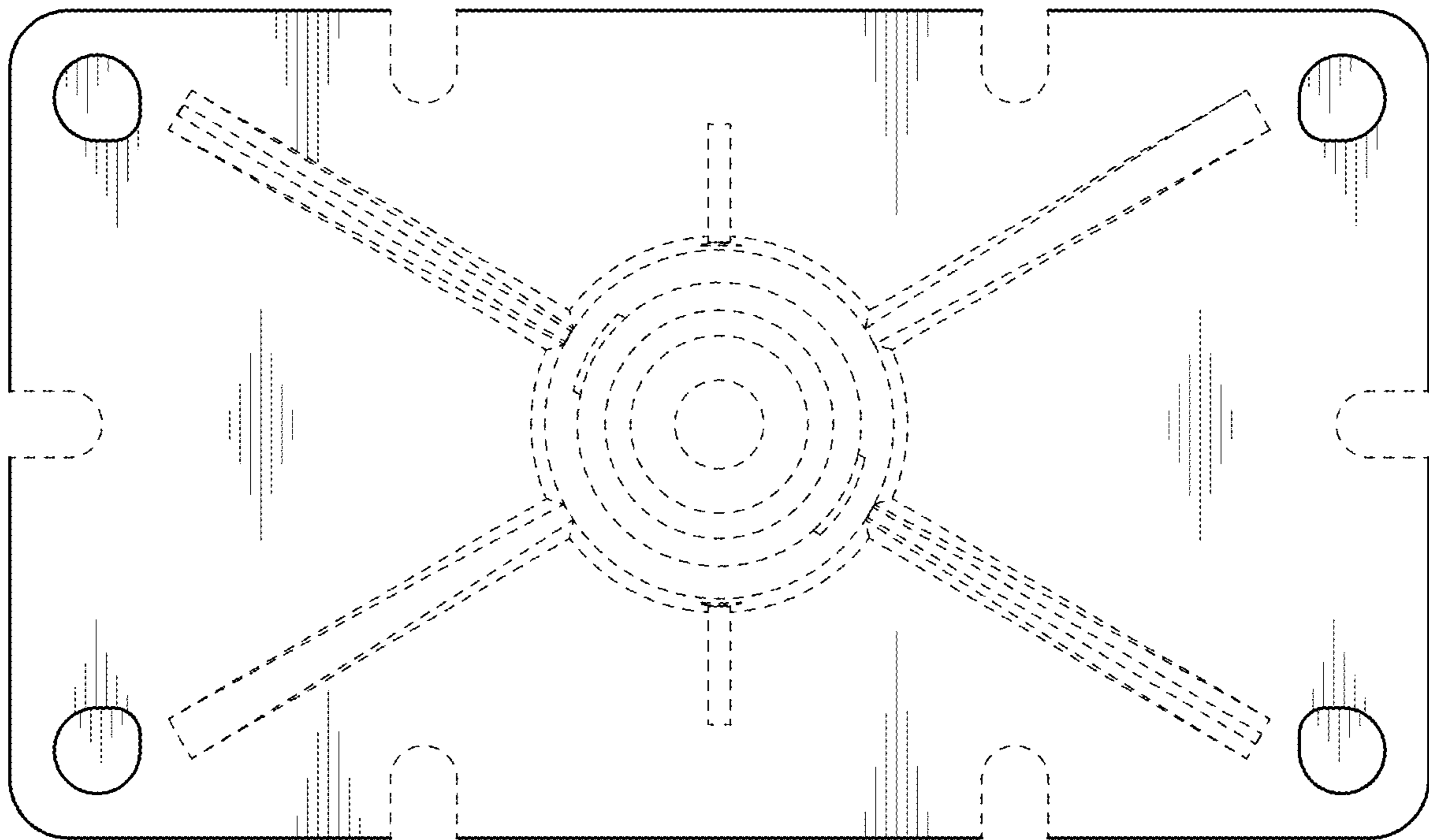


FIG. 4

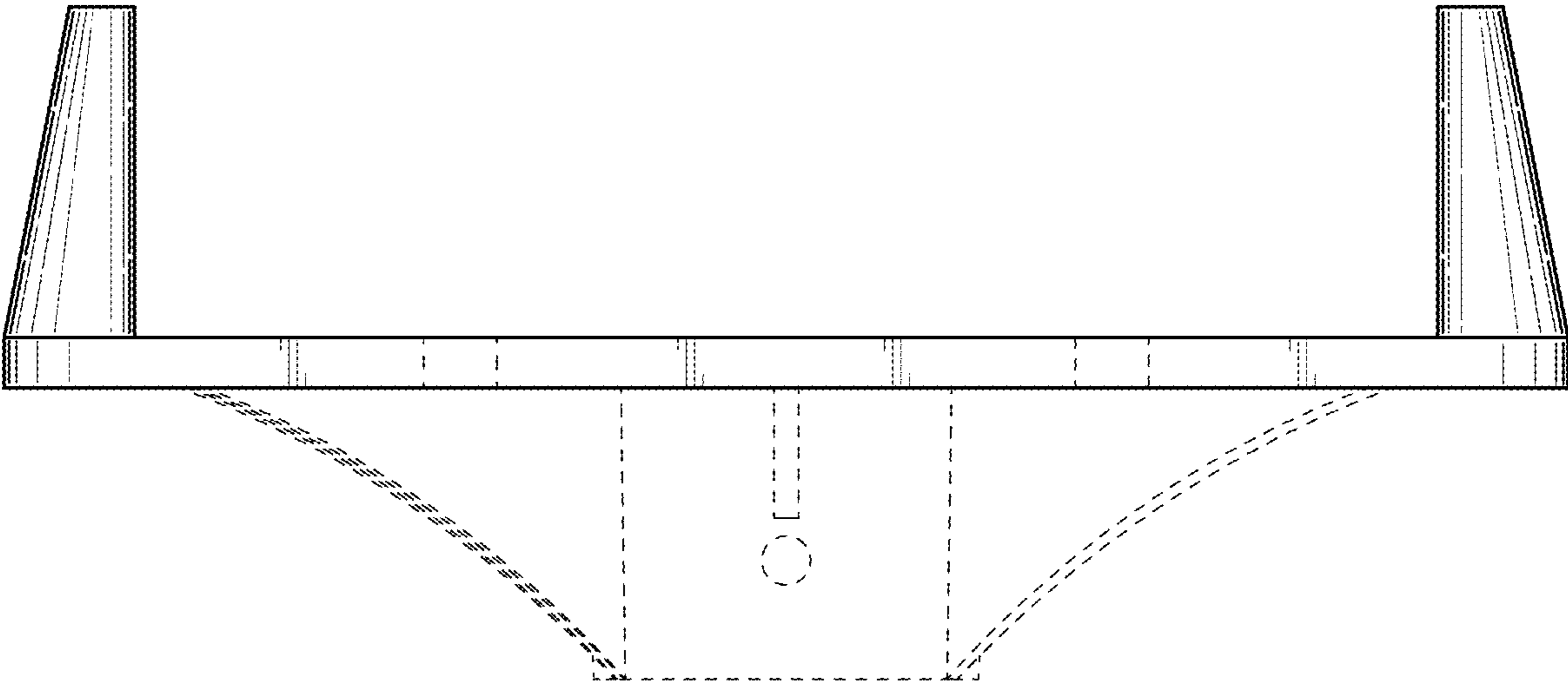


FIG. 5

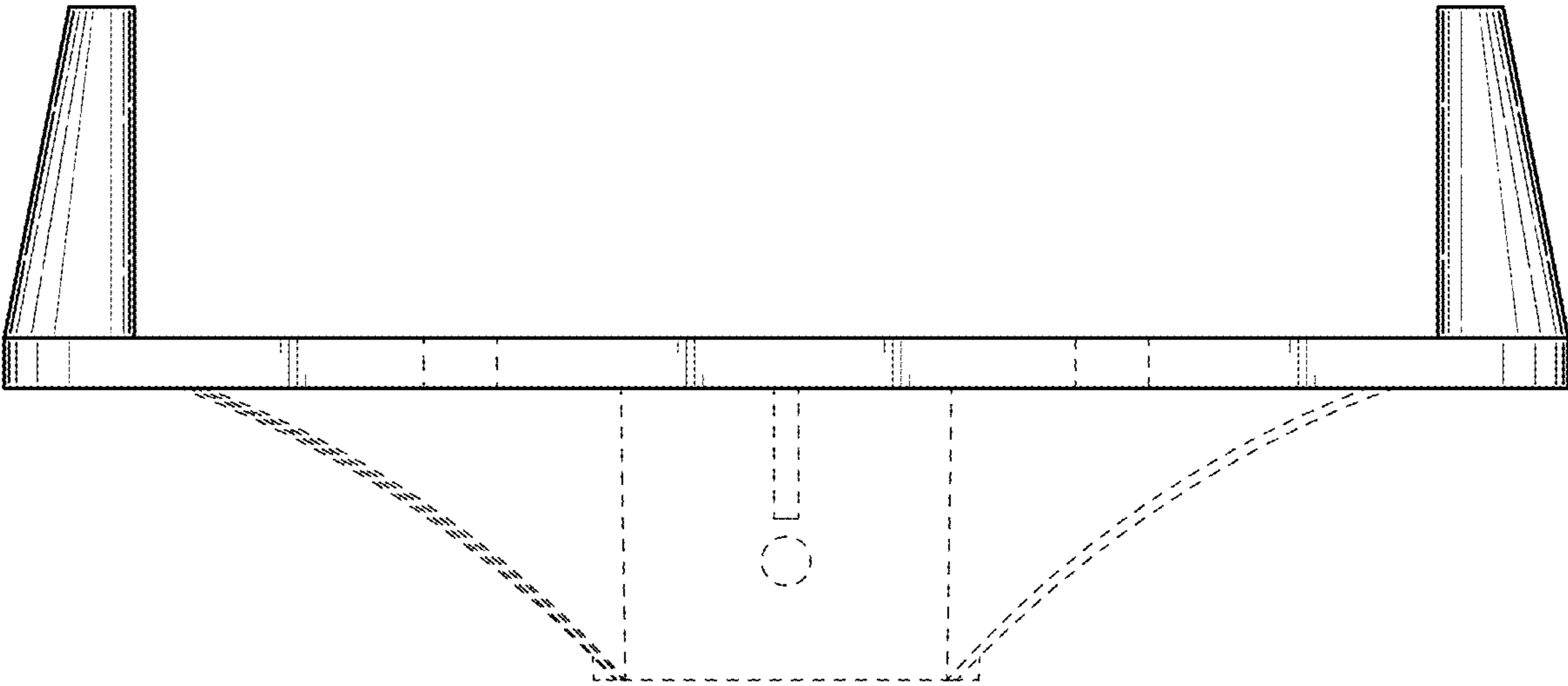


FIG. 6

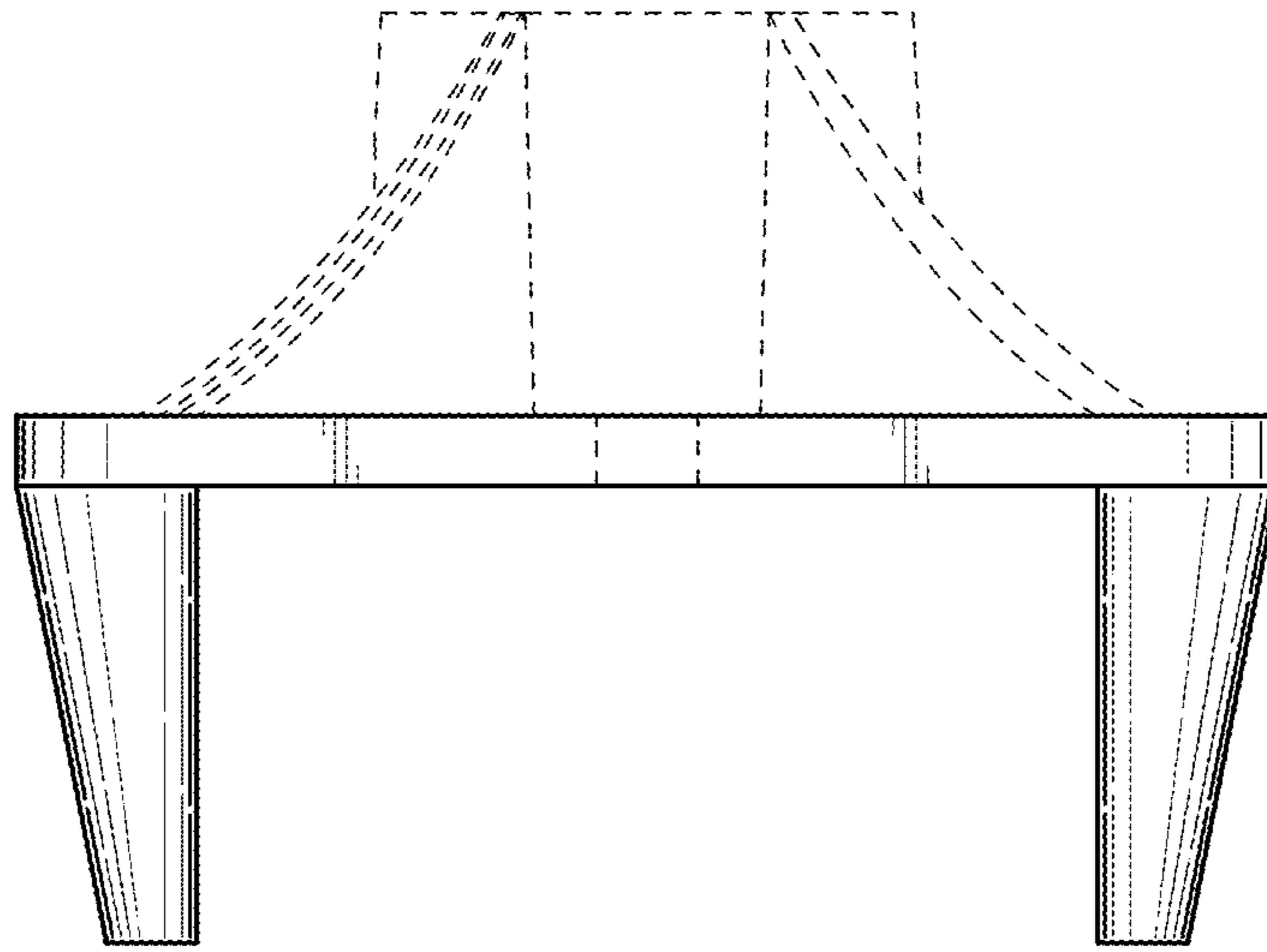


FIG. 7

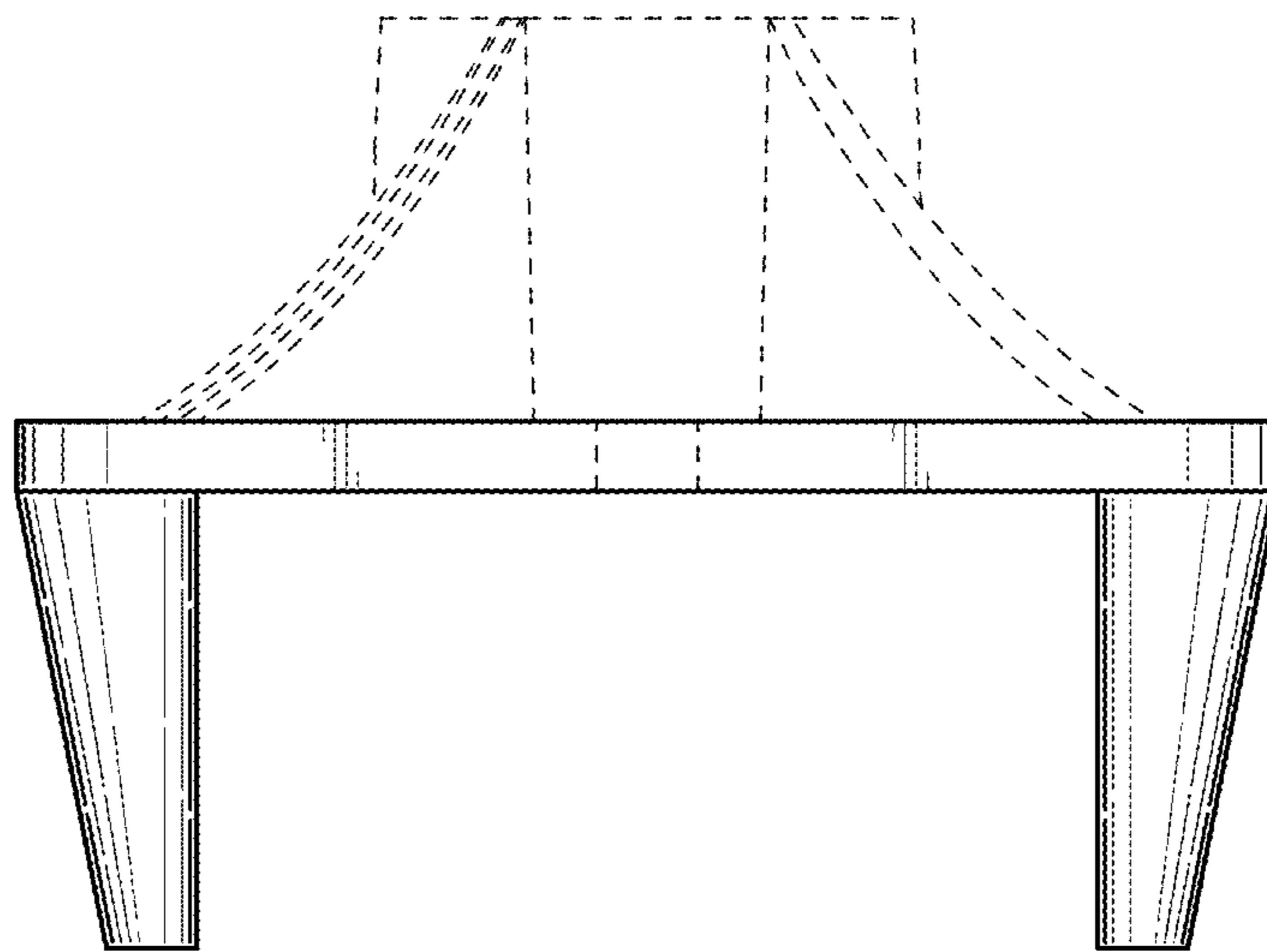


FIG. 8

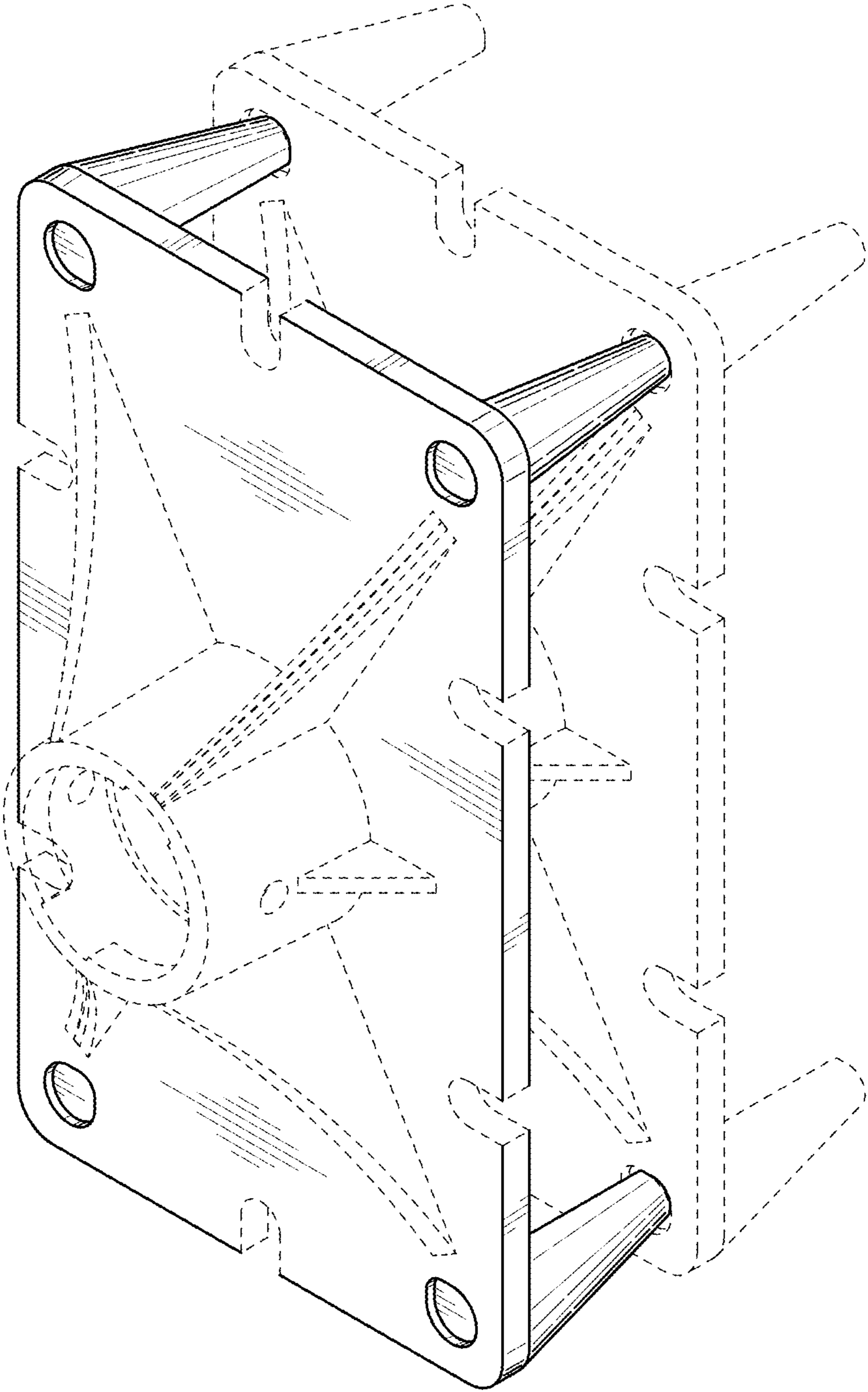


FIG. 9