



US00D905542S

(12) **United States Design Patent**
Brett

(10) **Patent No.:** **US D905,542 S**

(45) **Date of Patent:** **** Dec. 22, 2020**

(54) **COMPONENT FOR SUSPENDING CEILING PANELS**

(71) Applicant: **Polygrid Pty Ltd**, Plenty (AU)

(72) Inventor: **Paul Adrian Brett**, Plenty (AU)

(73) Assignee: **Polygrid Pty Ltd**, Plenty (AU)

(**) Term: **15 Years**

(21) Appl. No.: **29/639,471**

(22) Filed: **Mar. 6, 2018**

(30) **Foreign Application Priority Data**

Sep. 8, 2017 (AU) 201715381

(51) **LOC (12) Cl.** **08-05**

(52) **U.S. Cl.**
USPC **D8/373**

(58) **Field of Classification Search**
USPC D08/373, 358, 359, 354, 71, 330, 336,
D08/351, 356, 360.1, 363, 364, 367, 370,
D08/372, 379, 381, 382, 395, 396;
D06/349, 352; D09/426, 502, 750;
D10/72, 73, 89; D11/79, 93; D13/103,
D13/107; D19/67; D21/673, 674, 675,
D21/839, 840; D25/19, 62, 68, 69;
D26/40, 49; D29/122, 124; D30/153,
D30/155

CPC B65H 75/40; B65H 75/4407; B65H
75/4471; B65H 2701/34; B65H 2701/32;
B65H 2511/142; B65H 29/008; B65H
2701/33; B65H 54/585; B65H 51/22;
B65H 75/08; B65H 75/02; B65H
2301/41485; B65H 75/4468; B65H
2301/414323; B65H 2301/414325; B65H
16/02; B65H 2301/4131; B65H 75/403;
B65H 75/441; B65D 85/66; B65D 85/67;
B66D 3/006; B66D 3/18; B66D 3/26;
B66D 3/02; B66D 3/14; B63B 21/18;
B63B 21/26; B65B 57/005; A61G
7/1051; A61G 7/1061; B66B 11/08;

A62C 33/04; B08B 2203/0276; B21C
47/28; H02G 11/02; A01K 89/003; H04M
1/15; A01D 34/822; A47L 9/26; H04R
1/1033; E05C 19/10; E05C 17/50;
(Continued)

(56) **References Cited**

U.S. PATENT DOCUMENTS

D253,647 S * 12/1979 Sell D12/162
D329,196 S * 9/1992 Schor D12/317
(Continued)

OTHER PUBLICATIONS

Suspend-It > 2 in. x 1/4 in. Eye Lag Screws for Ceilings with Metal Joists (50-Pack), posted as early as Oct. 4, 2016, [retrieved Sep. 30, 2019]. Retrieved from Internet, <URL: <https://www.homedepot.com/p/Suspend-It-2-in-x-1-4-in-Eye-Lag-Screws-for-Ceilings-with-Metal-Joists-50-Pack-8857/100670618> >.*

(Continued)

Primary Examiner — Shannon W Morgan
Assistant Examiner — Kristin E Reed
(74) *Attorney, Agent, or Firm* — Seed IP Law Group
LLP; Jared M. Barrett

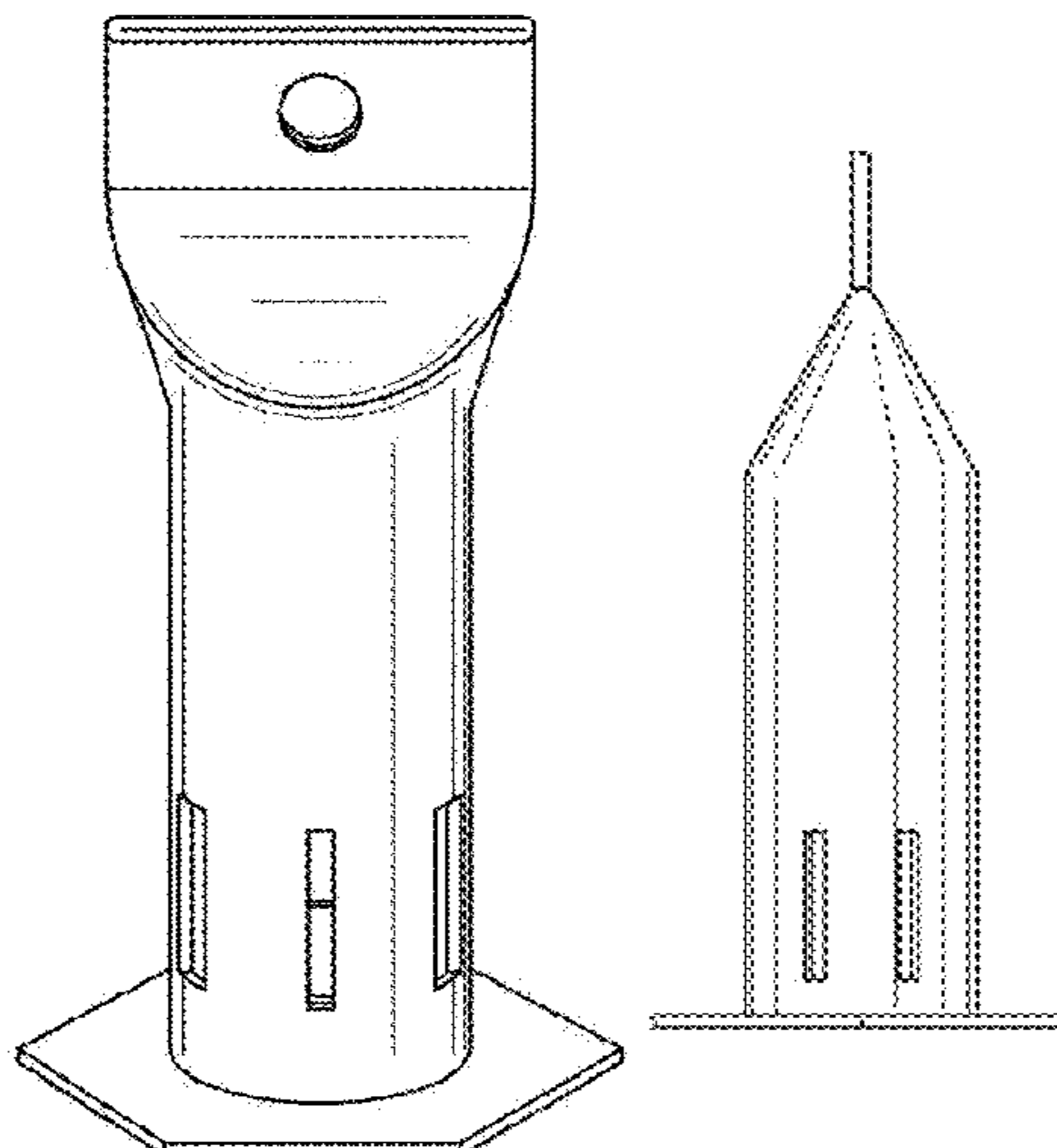
(57) **CLAIM**

The ornamental design for a component for suspending ceiling panels, as shown and described.

DESCRIPTION

FIG. 1 is a front perspective view of a component for suspending ceiling panels showing my new design.
FIG. 2 is a top plan view thereof.
FIG. 3 is a bottom plan view thereof.
FIG. 4 is a front elevational view thereof.
FIG. 5 is a rear elevational view thereof.
FIG. 6 is a left side elevational view thereof; and,
FIG. 7 is a right side elevational view thereof.

1 Claim, 4 Drawing Sheets



(58) **Field of Classification Search**

CPC . E05C 3/045; E05C 3/30; E05C 19/02; E05C 19/026; A47G 25/0614; A47G 25/18; A47G 25/32; A47G 7/047; A47G 7/045; A47G 7/042; A47G 7/044; F16B 12/44; F16B 12/46; F16B 5/0614; F16B 12/02; E04B 1/2612; E04B 2001/2415; E04B 1/5818; E04B 1/5831; A47B 88/0055; E04F 11/1812; F16L 1/0246; A01G 9/024; A01G 31/001; A01G 9/02; A01G 9/083; A01G 9/12; A01G 25/14; A01G 27/001; A01G 9/042; A01G 27/005; Y10S 24/909

See application file for complete search history.

(56)

References Cited

U.S. PATENT DOCUMENTS

5,566,914 A * 10/1996 Thomas G09F 7/20
248/156

D376,815 S * 12/1996 Vermillion D8/354
D420,890 S * 2/2000 Kuhnke D8/354
D517,900 S * 3/2006 Goldenberg D8/354
D658,975 S * 5/2012 Cordova D8/354
D658,976 S * 5/2012 Morrow, Jr. D25/133
D670,572 S * 11/2012 Bahrami D9/697
D737,120 S * 8/2015 Recker D8/354
D772,040 S * 11/2016 Grant D8/354
2004/0216849 A1* 11/2004 Goldenberg E06B 9/54
160/23.1
2006/0032539 A1* 2/2006 Meijden E04H 4/1663
137/624.11

OTHER PUBLICATIONS

Wedi > Technical datasheet p. 10, posted May 2015, [retrieved Sep. 30, 2019]. Retrieved from Internet, <URL: https://us.wedi.de/fileadmin/media/downloads/01_fuer_Haendler/03_Dokumente_und_Downloads/technische_Datenblaetter/USA/wedi_technical_data_sheet_USA_Building_Panel.pdf >.*

* cited by examiner

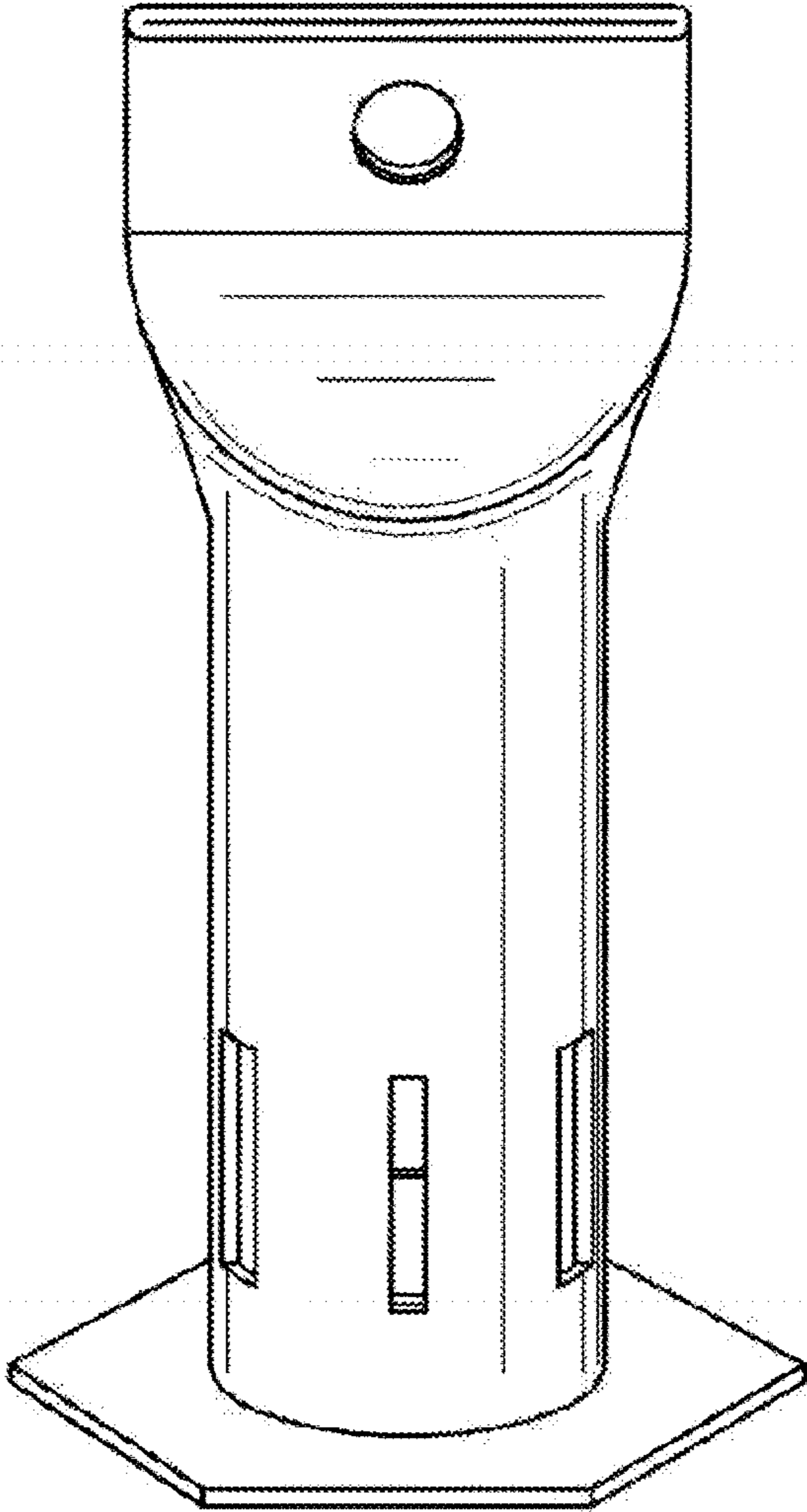


FIG 1

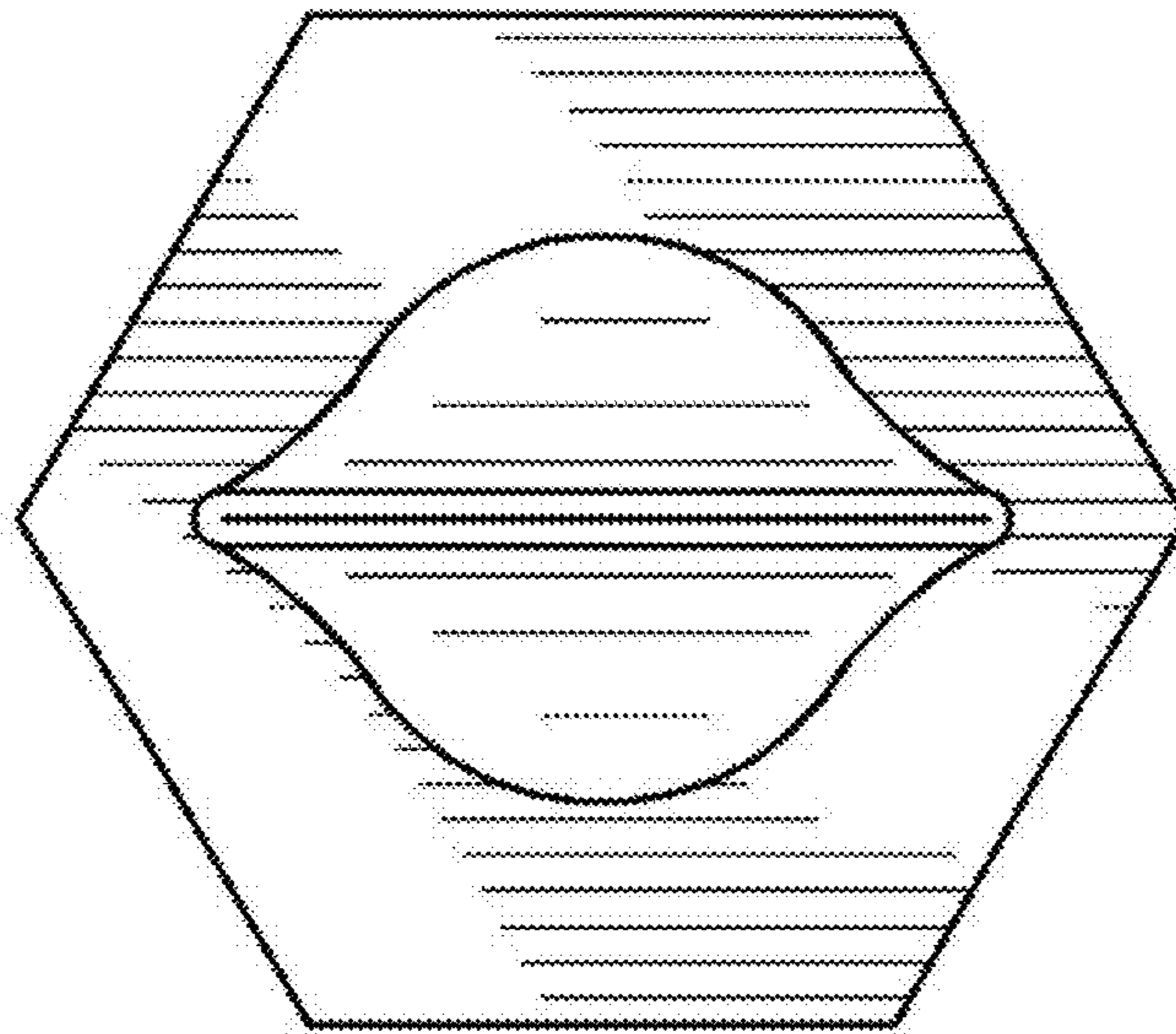


FIG 2

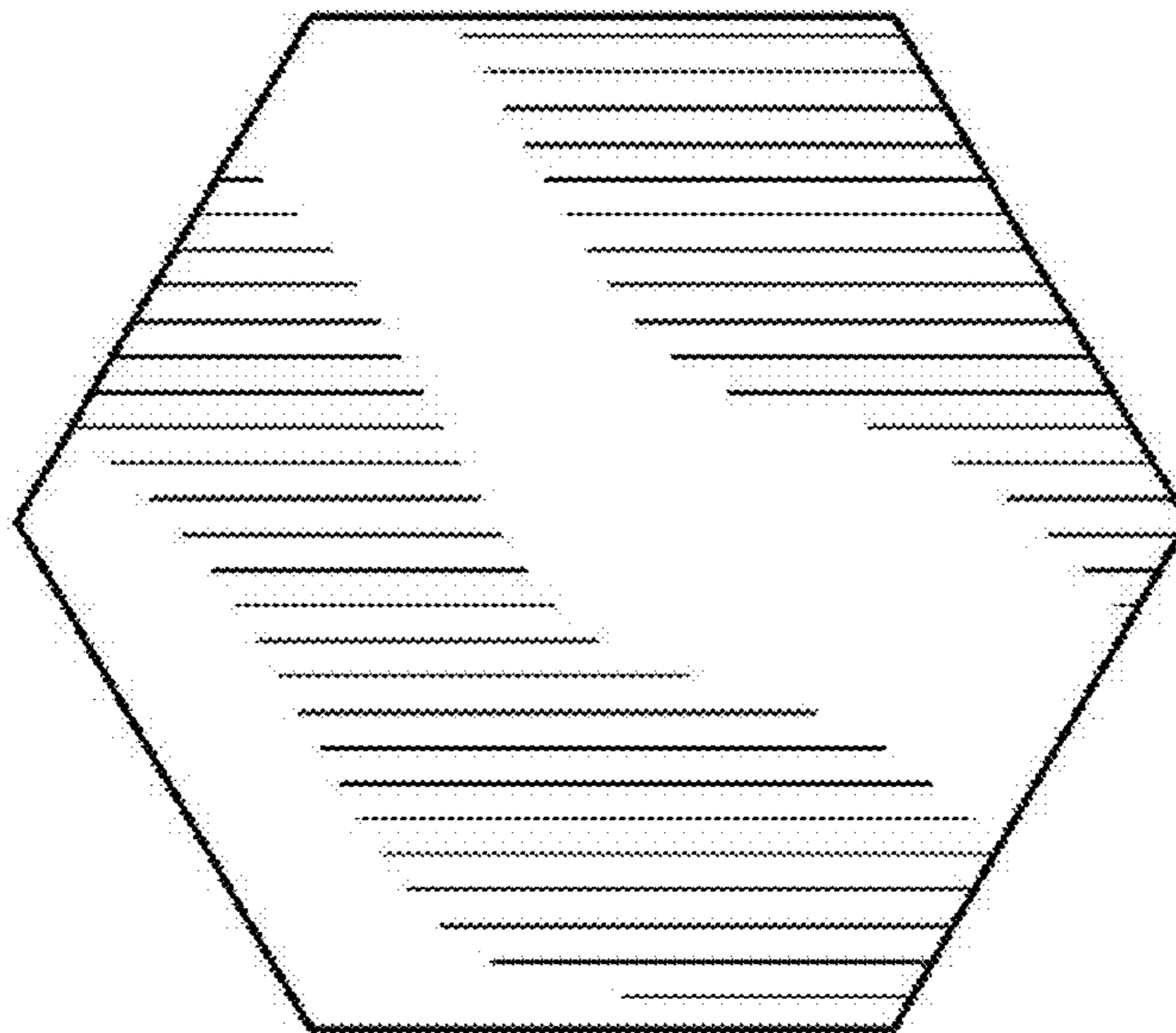


FIG 3

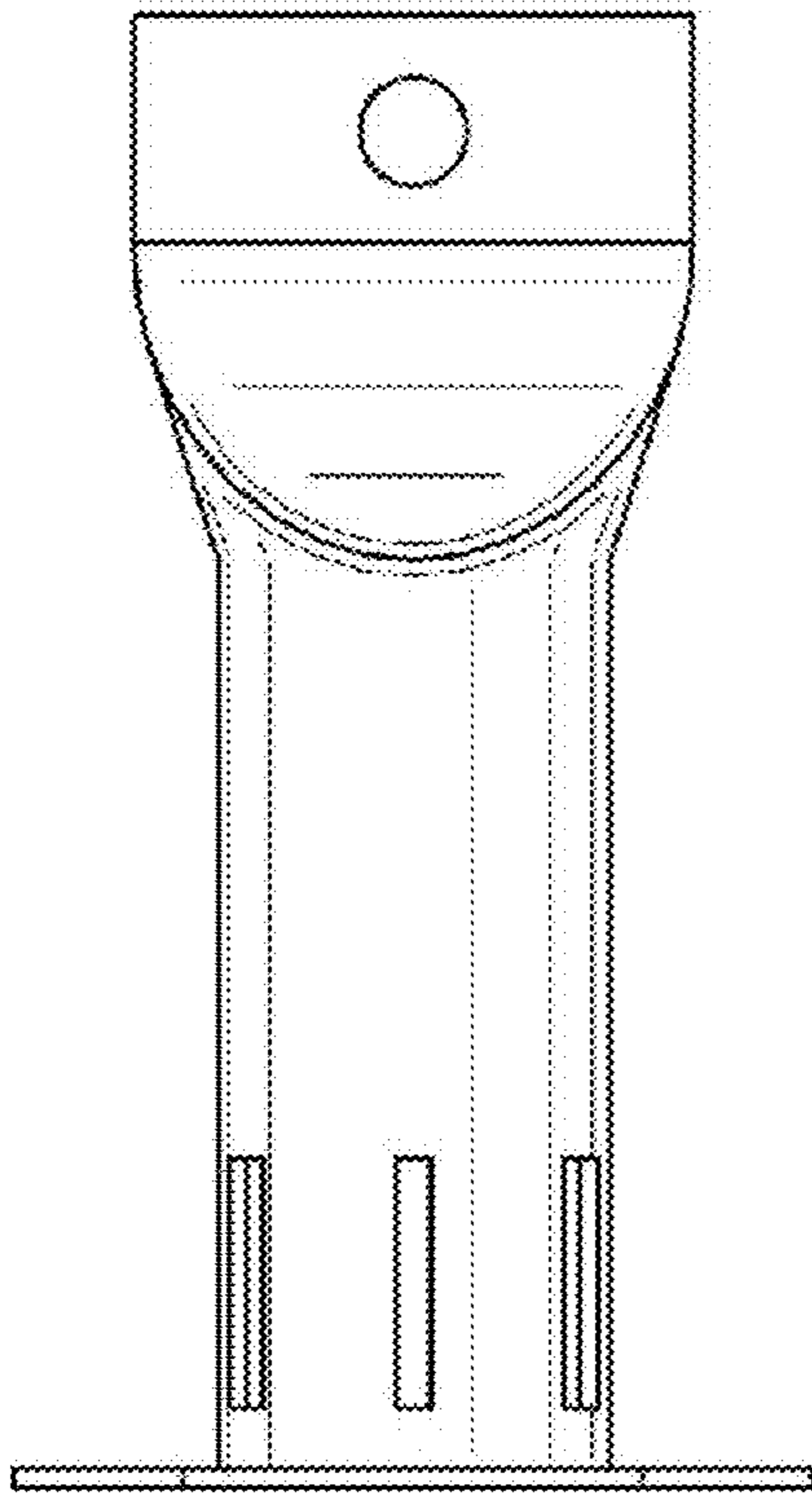


FIG 4

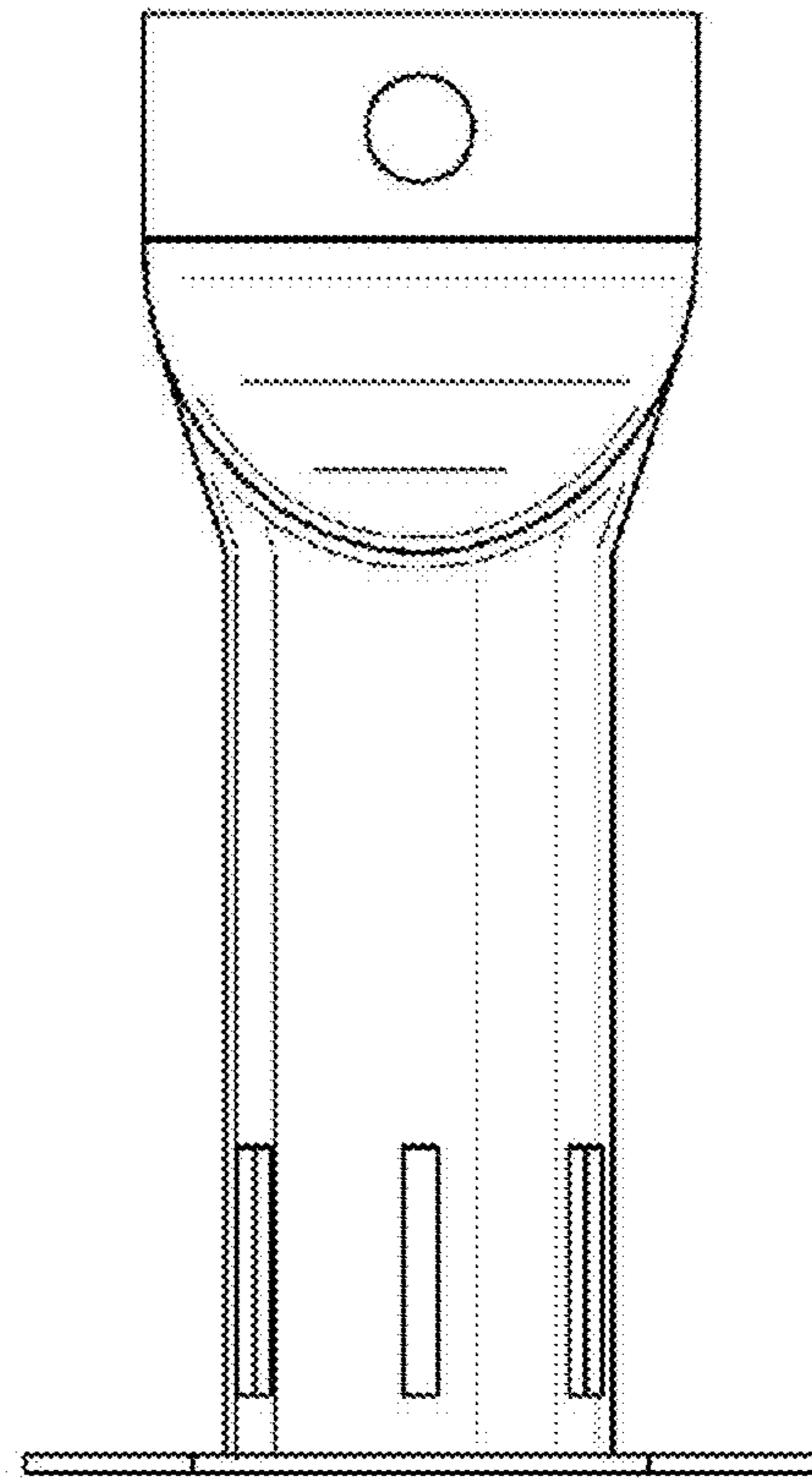


FIG 5

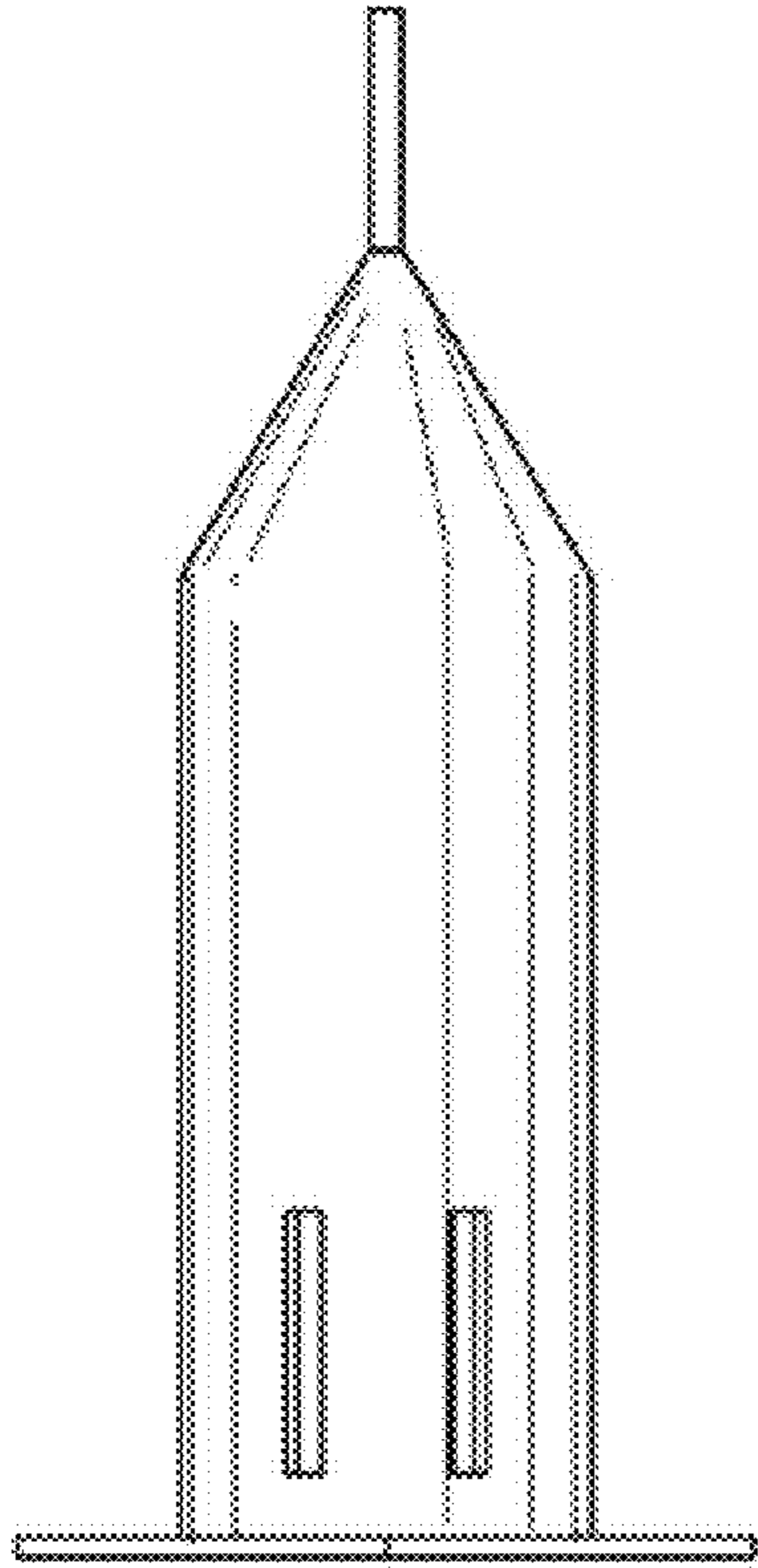


FIG 6

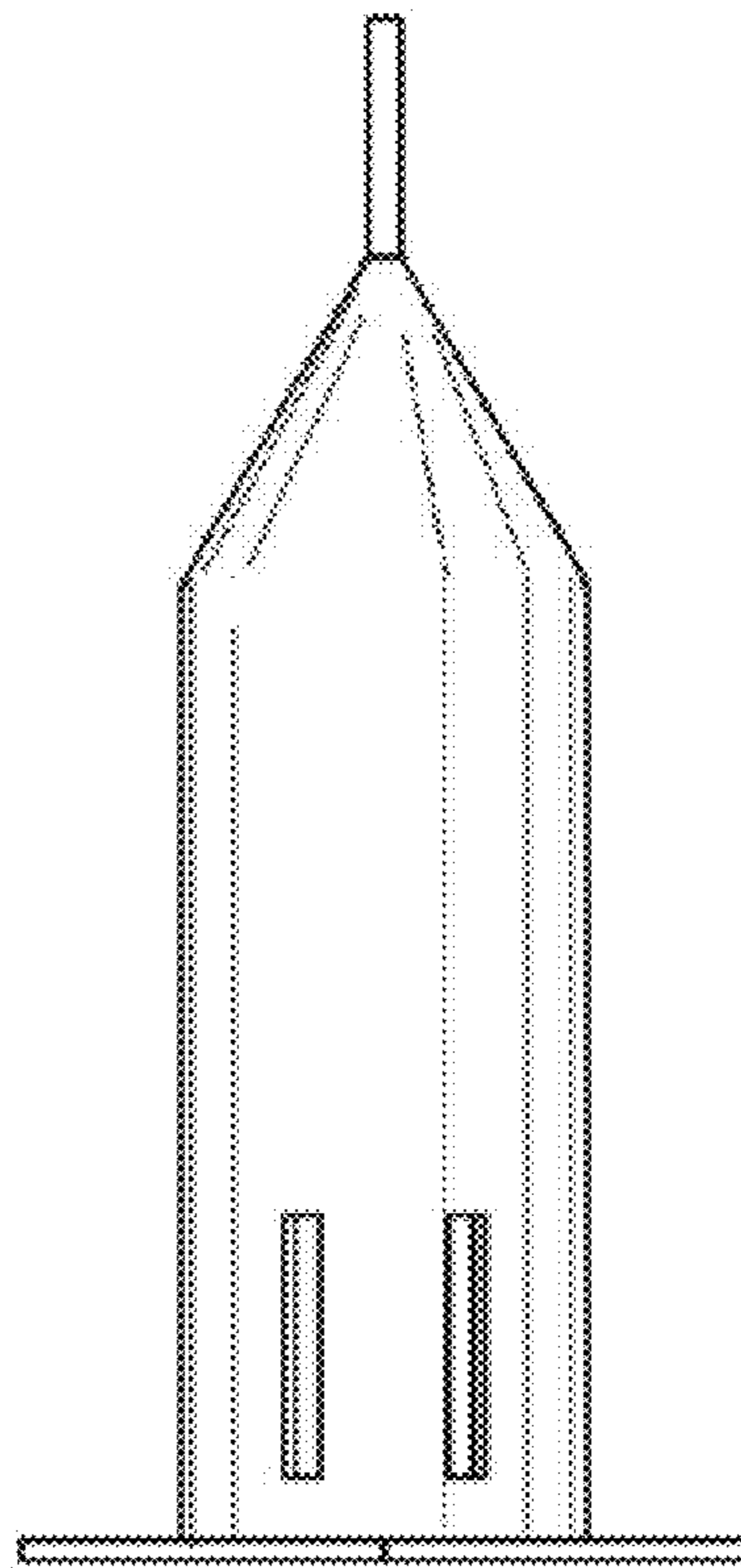


FIG 7