



US00D905541S

(12) **United States Design Patent**
Somsack

(10) **Patent No.:** **US D905,541 S**

(45) **Date of Patent:** **** Dec. 22, 2020**

- (54) **ADJUSTABLE SUPPORT-STAND FOR CHEMICAL HOSES**
- (71) Applicant: **Ricky Somsack**, Stockton, CA (US)
- (72) Inventor: **Ricky Somsack**, Stockton, CA (US)
- (73) Assignee: **RS Transportation Trucking Inc.**, Stockton, CA (US)
- (**) Term: **15 Years**
- (21) Appl. No.: **29/716,866**
- (22) Filed: **Dec. 12, 2019**
- (51) **LOC (12) Cl.** **09-06**
- (52) **U.S. Cl.**
USPC **D8/356**
- (58) **Field of Classification Search**
USPC D6/678.4; D8/356, 354, 349, 358, 373, D8/379, 1; 248/68.1, 89, 86, 82, 76, 49; 137/355.16; 242/400.1; 211/60.1
CPC B65G 7/12; A62C 33/04; B65H 75/366
See application file for complete search history.

- 5,906,341 A * 5/1999 Brown F16L 3/227 248/49
- 6,059,215 A * 5/2000 Finnis B65H 75/366 242/400.1
- 6,206,613 B1 * 3/2001 Elkins F16L 3/26 405/157
- D462,603 S * 9/2002 Wright B65H 75/366 D8/356
- 6,619,596 B1 * 9/2003 Caine B60R 15/00 138/106
- 6,644,601 B2 * 11/2003 Aussiker H02G 1/14 248/125.8
- D554,979 S * 11/2007 Hsu D8/356
- D607,308 S * 1/2010 Moon D8/356
- D669,761 S * 10/2012 Angel D8/356
- D724,934 S * 3/2015 Lu D8/356
- D773,287 S * 12/2016 Lida D8/363
- D815,472 S * 4/2018 Sorenson D6/682
- D856,119 S * 8/2019 McGugan D8/356
- 10,774,951 B2 * 9/2020 Ball F16B 7/185

* cited by examiner

Primary Examiner — Cynthia R Underwood
(74) *Attorney, Agent, or Firm* — Foundation Patents, LLP; Richard Bennett Salles

(57) **CLAIM**

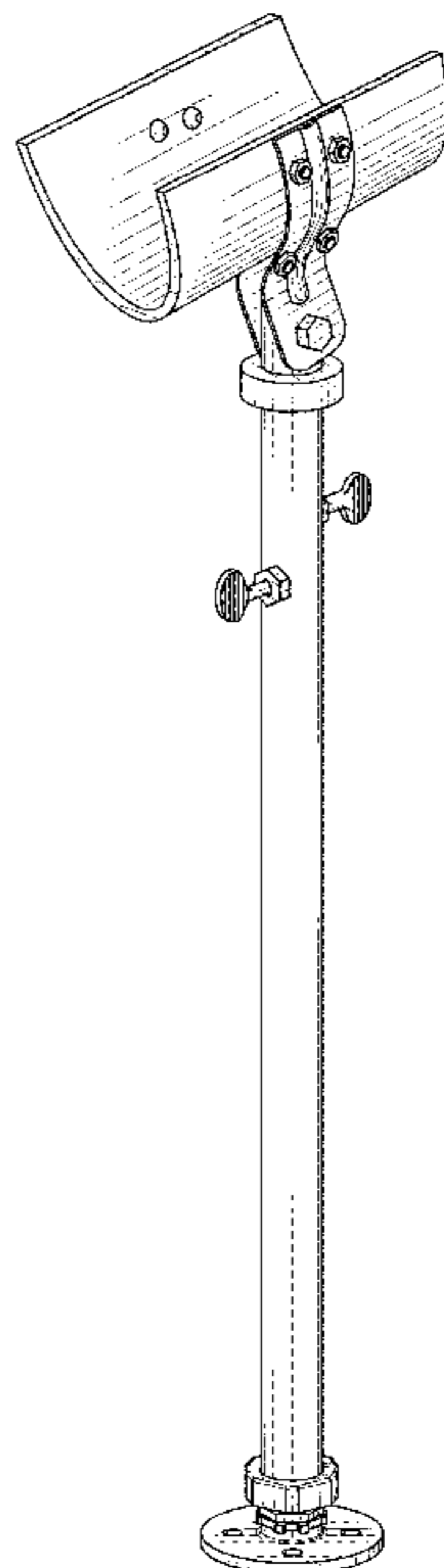
The ornamental design for an adjustable chemical hose support stand, as shown and described.

DESCRIPTION

FIG. 1 is a perspective elevational view of the instant invention.
FIG. 2 is a front view of the instant invention.
FIG. 3 is rear view of the instant invention.
FIG. 4 is an isometric side view of the instant invention.
FIG. 5 is an isometric side view of the instant invention.
FIG. 6 is a top/bird' view of the instant invention; and,
FIG. 7 is a bottom/worm's-eye view of the instant invention.

1 Claim, 4 Drawing Sheets

- (56) **References Cited**
U.S. PATENT DOCUMENTS
- 355,924 A * 1/1887 Pavel B65H 75/366 248/89
- 675,104 A * 5/1901 Oberle F16L 3/26 248/49
- 1,329,816 A * 2/1920 Winslow F16M 1/04 248/558
- D237,459 S * 11/1975 Wagner D8/358
- D240,681 S * 7/1976 Granatelli D6/526
- D298,915 S * 12/1988 Rowley D8/356
- D306,681 S * 3/1990 Toca, III D22/147
- D341,767 S * 11/1993 Brueske D8/356
- D398,199 S * 9/1998 Bowling D8/1



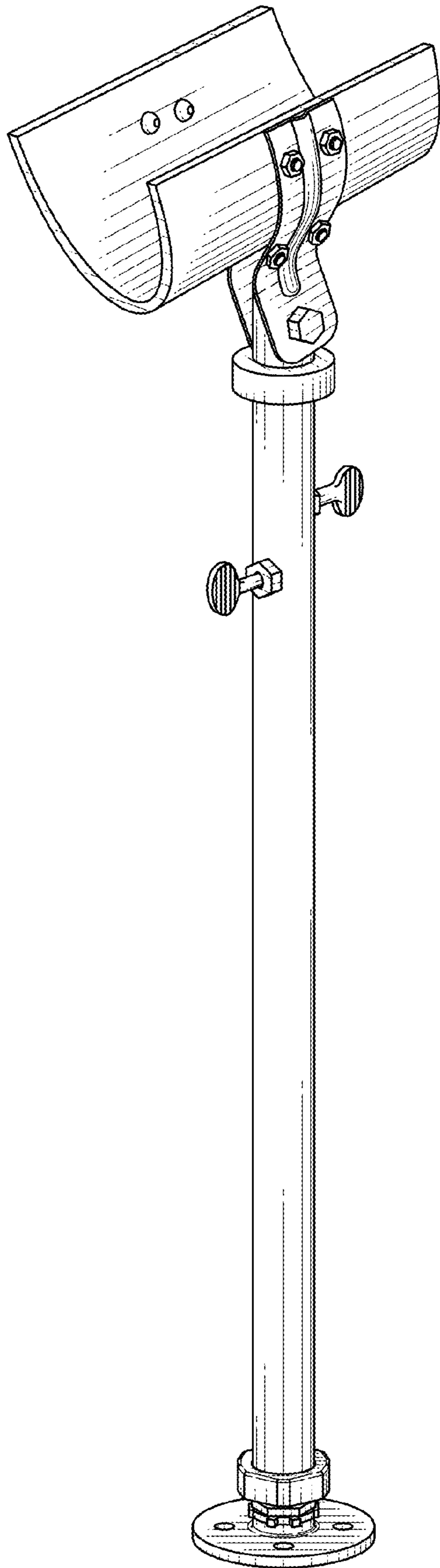


FIG. 1

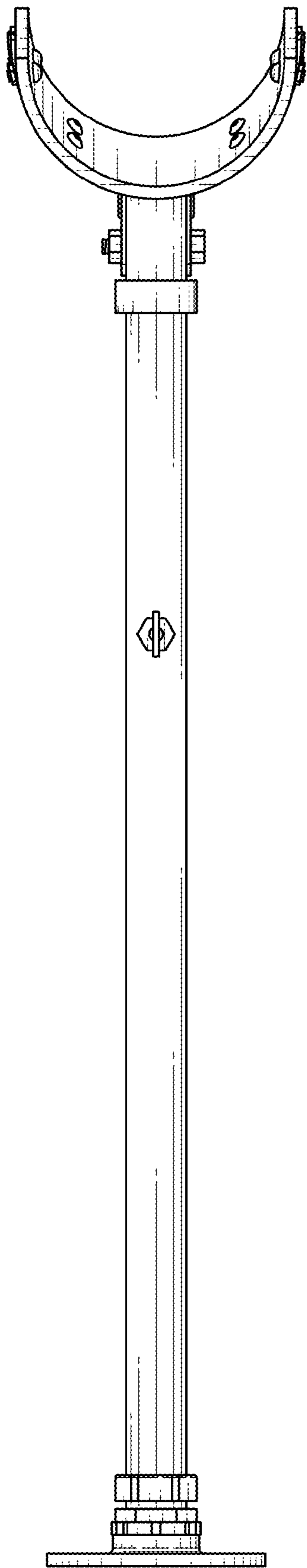


FIG. 2

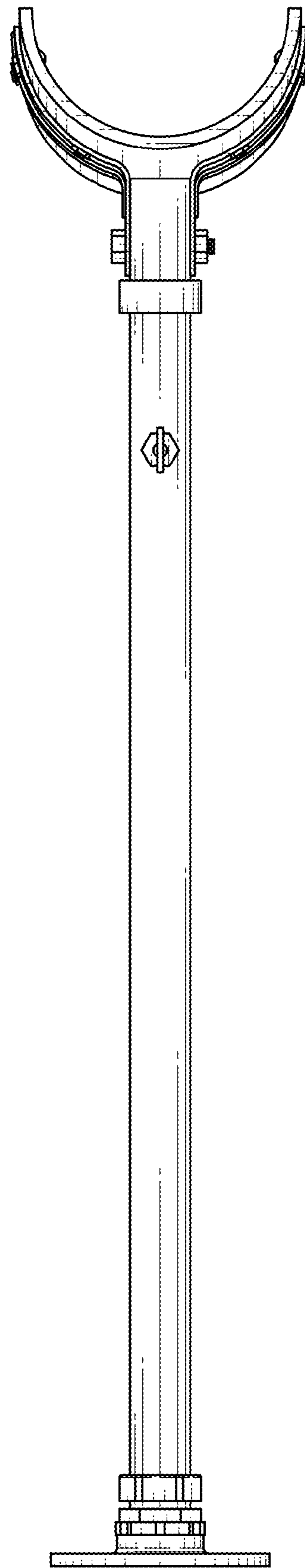


FIG. 3

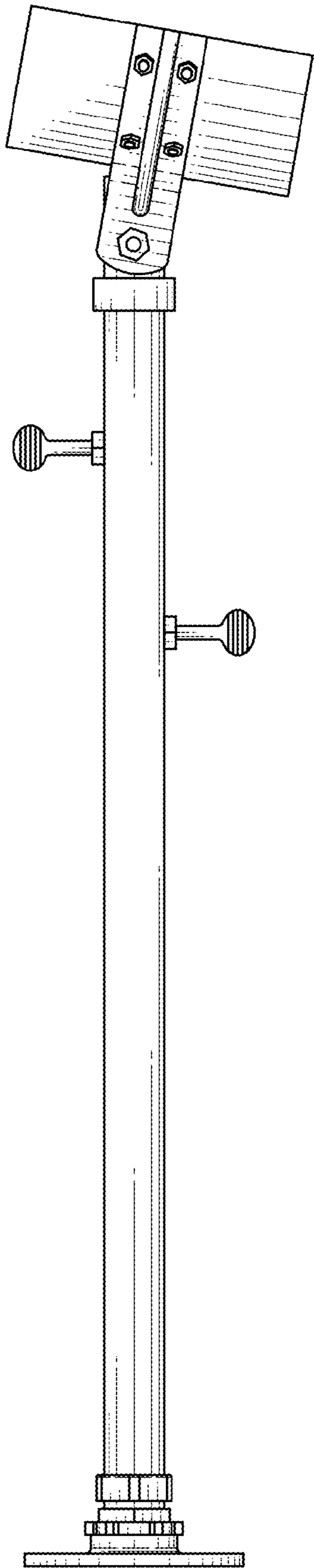


FIG. 4

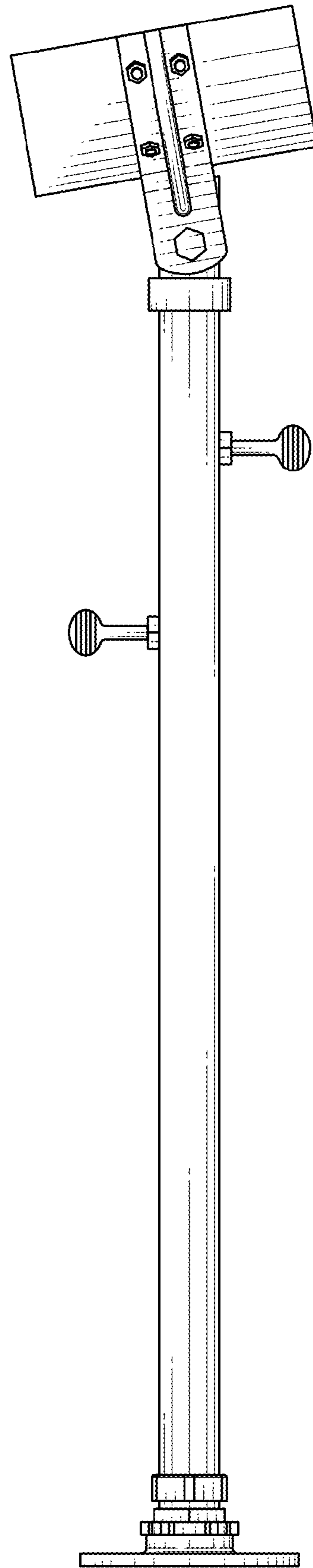


FIG. 5

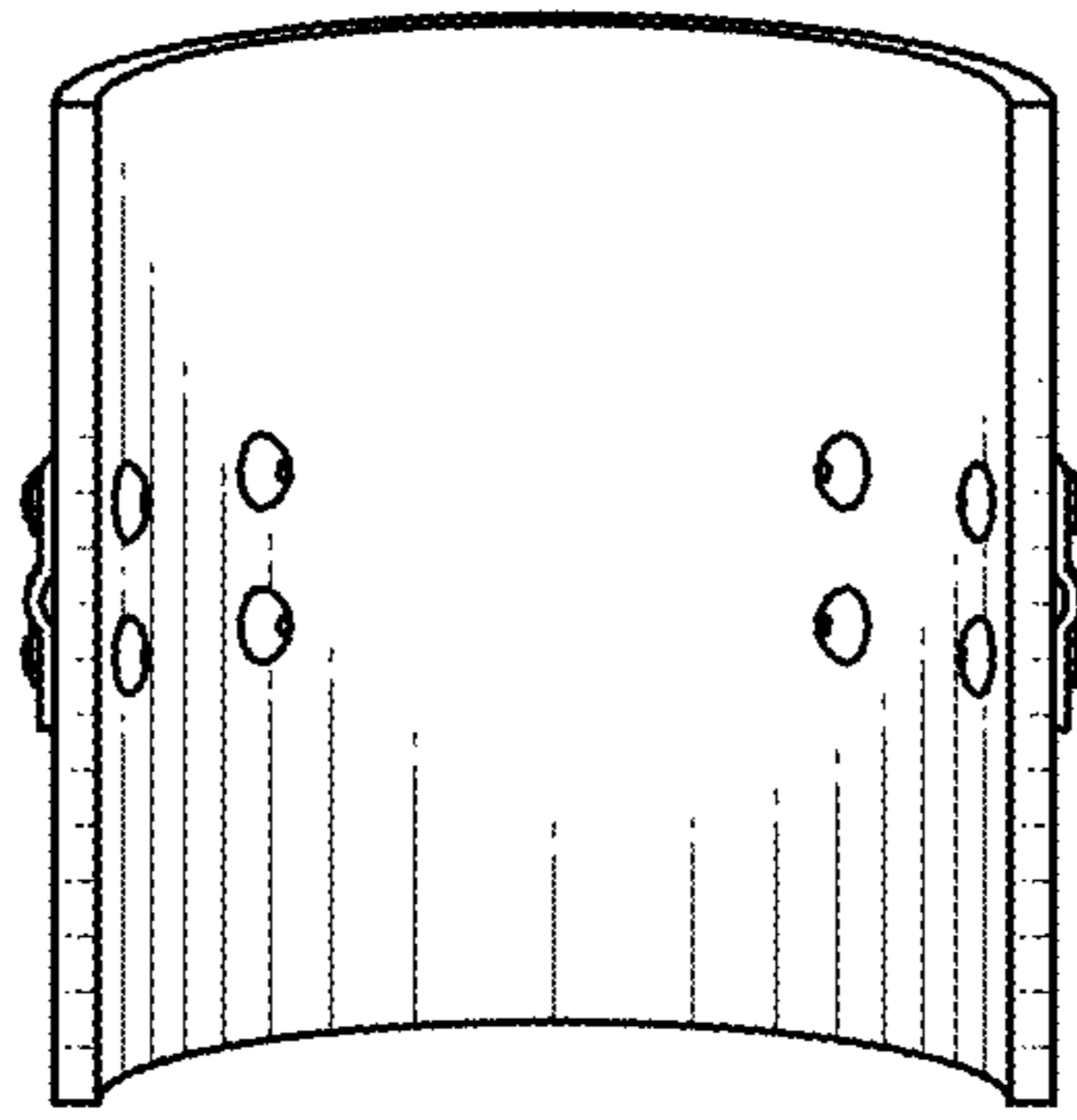


FIG. 6

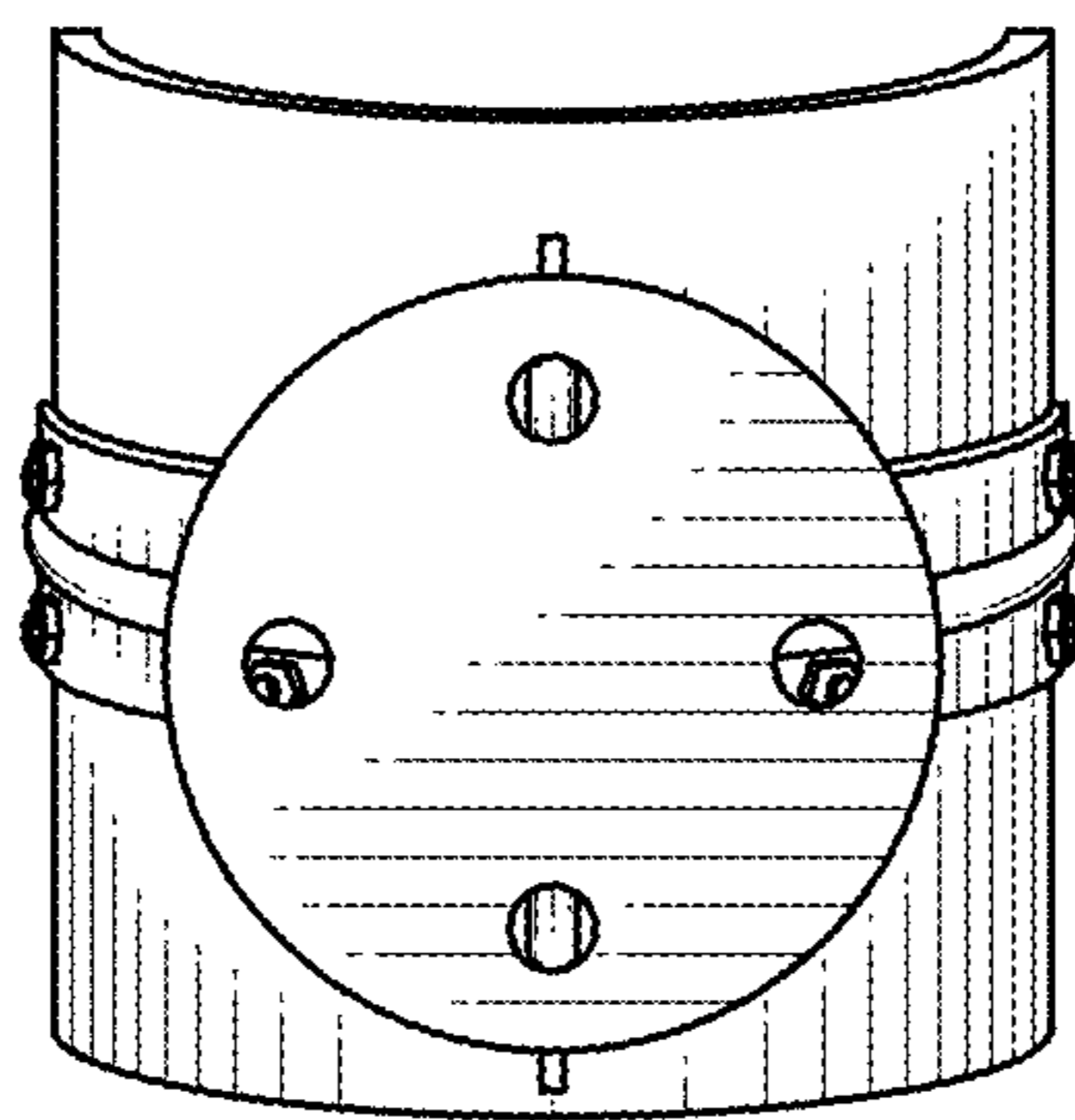


FIG. 7